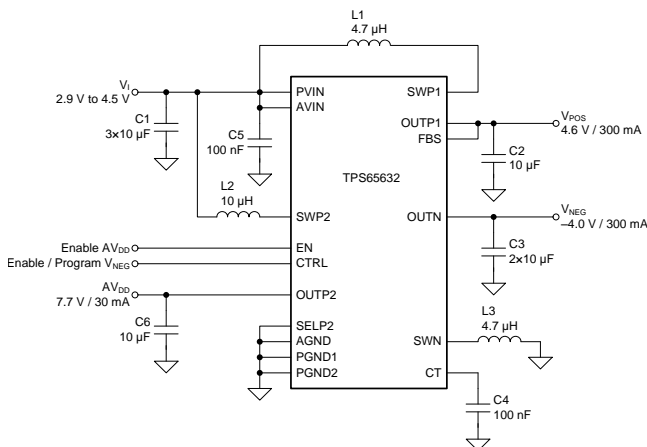


TPS65632 三路输出 AMOLED 显示屏电源

1 特性

- 2.9V 至 4.5V 输入电压范围
- 升压转换器 1 (V_{POS})
 - 4.6V 输出电压
 - 0.5% 精度 (25°C 至 85°C)
 - 专用输出感测引脚
 - 300mA 输出电流
- 反向降压-升压转换器 (V_{NEG})
 - -1.5V 至 5.4V 可编程输出电压
 - -4V 默认输出电压
 - 300mA 输出电流
- 升压转换器 2 (AV_{DD})
 - 5.8V 或 7.7V 输出电压
 - 30mA 输出电流
- 出色的线路瞬态稳压
- 短路保护功能
- 热关断
- 3mm x 3mm 16 引脚超薄型四方扁平无引线

4 简化电路原理图



(WQFN) 封装

2 应用范围

AMOLED 显示屏

3 说明

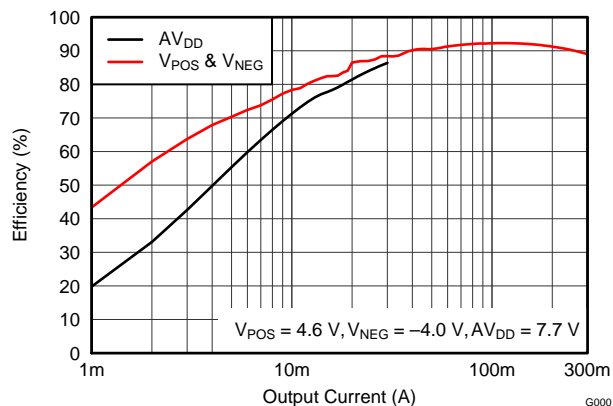
TPS65632 设计用于驱动需要 3 个电源轨 (V_{POS} 、 V_{NEG} 和 AV_{DD}) 的有源矩阵有机发光二极管 (AMOLED) 显示屏。该器件分别为 V_{POS} 、 V_{NEG} 和 AV_{DD} 集成了升压转换器、反向降压-升压转换器以及升压转换器, 这些转换器均适用于电池供电产品。数字控制引脚 (CTRL) 允许用数字步长设定负输出电压。TPS65632 采用全新技术, 可提供出色的线路与负载调节性能。

器件信息(1)

器件型号	封装	封装尺寸 (标称值)
TPS65632	WQFN (16)	3.00mm x 3.00mm

(1) 如需了解所有可用封装, 请见数据表末尾的可订购产品附录。

效率与输出电流间的关系



G000



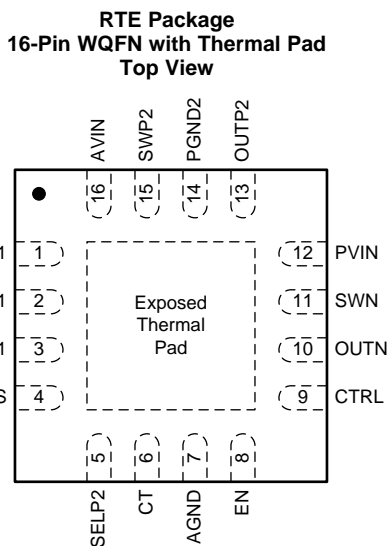
目录

1	特性	1	8.2	Functional Block Diagram	8
2	应用范围	1	8.3	Feature Description	9
3	说明	1	8.4	Device Functional Modes	12
4	简化电路原理图	1	9	Application and Implementation	13
5	修订历史记录	2	9.1	Application Information	13
6	Pin Configuration and Functions	3	9.2	Typical Application	13
7	Specifications	4	10	Power Supply Recommendations	19
7.1	Absolute Maximum Ratings	4	11	Layout	19
7.2	ESD Ratings	4	11.1	Layout Guidelines	19
7.3	Recommended Operating Conditions	4	11.2	Layout Example	19
7.4	Thermal Information	4	12	器件和文档支持	20
7.5	Electrical Characteristics	5	12.1	器件支持	20
7.6	Timing Requirements	6	12.2	商标	20
7.7	Typical Characteristics	7	12.3	静电放电警告	20
8	Detailed Description	8	12.4	术语表	20
8.1	Overview	8	13	机械、封装和可订购信息	20

5 修订历史记录

日期	修订版本	注释
2015 年 3 月	*	最初发布版本

6 Pin Configuration and Functions



Pin Functions

PIN		TYPE ⁽¹⁾	DESCRIPTION
NAME	NO.		
AGND	7	GND	Analog ground.
AVIN	16	PWR	Supply voltage for the device.
CT	6	I/O	A capacitor connected between this pin and ground sets the transition time for V_{NEG} when programmed to a new value.
CTRL	9	I	Boost converter 1 (V_{POS}) inverting buck-boost converter (V_{NEG}) enable/program.
EN	8	I	Boost converter 2 (AV_{DD}) enable.
FBS	4	I	Boost converter 1 (V_{POS}) sense input.
OUTN	10	O	Inverting buck-boost converter output (V_{NEG}).
OUTP	3	O	Boost converter 1 output (V_{POS}).
OUTP2	13	O	Boost converter 2 output (AV_{DD}).
PGND1	2	GND	Boost converter 1 power ground.
PGND2	14	GND	Boost converter 2 power ground.
PVIN	12	PWR	Inverting buck-boost converter power stage supply voltage.
SELP2	5	I	Boost converter 2 output voltage selection pin. AV_{DD} = 7.7 V when SELP2 = low and 5.8 V when SELP2 = high.
SWN	11	I/O	Inverting buck-boost converter switch pin.
SWP1	1	I	Boost converter 1 switch pin.
SWP2	15	I	Boost converter 2 switch pin.
Exposed thermal pad		—	Connect this pad to AGND, PGND1 and PGND2.

(1) GND = Ground, PWR = Power, I = Input, O = Output, I/O = Input/Output

7 Specifications

7.1 Absolute Maximum Ratings

 over operating free-air temperature range (unless otherwise noted)⁽¹⁾

		MIN	MAX	UNIT
Input supply voltage ⁽²⁾	SWP1, OUTP1, FBS, PVIN, AVIN	-0.3	5	V
	SWP2	-0.3	12	V
	OUTP2	-0.3	8.5	V
	OUTN	-6.0	0.3	V
	SWN	-6.5	4.8	V
	CTRL, EN, SELP2	-0.3	5.5	V
	CT	-0.3	3.6	V
Operating virtual junction, T _J		-40	150	°C
Storage temperature, T _{stg}		-65	150	°C

- (1) Stresses beyond those listed under *absolute maximum ratings* may cause permanent damage to the device. These are stress ratings only, and functional operation of the device at these or any other conditions beyond those indicated under *recommended operating conditions* is not implied. Exposure to absolute-maximum-rated conditions for extended periods may affect device reliability.
- (2) With respect to GND pin.

7.2 ESD Ratings

			VALUE	UNIT
V _(ESD)	Electrostatic discharge	Human body model (HBM), per ANSI/ESDA/JEDEC JS-001, all pins ⁽¹⁾	±2000	V
		Charged device model (CDM), per JEDEC specification JESD22-C101, all pins ⁽²⁾	±500	

- (1) JEDEC document JEP155 states that 500-V HBM allows safe manufacturing with a standard ESD control process.
- (2) JEDEC document JEP157 states that 250-V CDM allows safe manufacturing with a standard ESD control process.

7.3 Recommended Operating Conditions

over operating free-air temperature range (unless otherwise noted)

		MIN	NOM	MAX	UNIT
INPUT					
V _I	Input supply voltage range	2.9	3.7	4.5	V
T _J	Operating junction temperature	-40	85	125	°C

7.4 Thermal Information

THERMAL METRIC ⁽¹⁾		RTE [WQFN]	UNIT
		16 PINS	
R _{θJA}	Junction-to-ambient thermal resistance	42.9	°C/W
R _{θJC(top)}	Junction-to-case (top) thermal resistance	44	
R _{θJB}	Junction-to-board thermal resistance	14.2	
ψ _{JT}	Junction-to-top characterization parameter	0.6	
ψ _{JB}	Junction-to-board characterization parameter	14.1	
R _{θJC(bot)}	Junction-to-case (bottom) thermal resistance	3.3	

- (1) For more information about traditional and new thermal metrics, see the *IC Package Thermal Metrics* application report, [SPRA953](#).

7.5 Electrical Characteristics

$V_I = 3.7\text{ V}$, $CTRL = 3.7\text{ V}$, $EN = 3.7\text{ V}$, $V_{POS} = 4.6\text{ V}$, $V_{NEG} = -4.0\text{ V}$, $AV_{DD} = 7.7\text{ V}$, $T_J = -40^\circ\text{C}$ to 85°C , typical values are at $T_J = 25^\circ\text{C}$ (unless otherwise noted)

PARAMETER		TEST CONDITIONS	MIN	TYP	MAX	UNIT
SUPPLY CURRENT AND THERMAL PROTECTION						
V_I	Input voltage range		2.9	3.7	4.5	V
I_{SD}	Shutdown current	$CTRL = GND$, $EN = GND$, sum of current flowing into $AVIN$ and $PVIN$		0.25	5	μA
V_{UVLO}	Under-voltage lockout threshold	V_I falling	1.8		2.1	V
		V_I rising	2.1		2.5	V
BOOST CONVERTER 1 (V_{POS})						
V_{POS}	Positive output 1 voltage			4.6		V
	Positive output 1 voltage variation	$25^\circ\text{C} \leq T_A \leq 85^\circ\text{C}$, No load	-0.5%		0.5%	
		$-30^\circ\text{C} \leq T_A \leq 85^\circ\text{C}$, No load	-0.8%		0.8%	
$r_{DS(on)1A}$	Switch on-resistance	$I_{(SWP1)} = 200\text{ mA}$		200		$\text{m}\Omega$
$r_{DS(on)1B}$	Rectifier on-resistance			350		$\text{m}\Omega$
f_{SW1}	Switching frequency	$I_{POS} = 200\text{ mA}$		1.7		MHz
I_{SW1}	Switch current limit	Inductor valley current	0.8	1	1.4	A
V_{SCP1}	Short-circuit threshold in operation	V_{POS} falling	3.95	4.10	4.28	V
t_{SCP1}	Short-circuit detection time in operation			3		ms
V_T	Output voltage sense threshold	$V_{(OUTP1)} - V_{(FBS)}$ increasing	200	300	550	mV
		$V_{(OUTP1)} - V_{(FBS)}$ decreasing	100	200	450	mV
$R_{(FBS)}$	FBS pin pull-down resistance		2	4	6	$\text{M}\Omega$
R_{DCHG1}	Discharge resistance	$CTRL = GND$, $I_{(SWP1)} = 1\text{ mA}$	10	30	70	Ω
	Line regulation	$I_{POS} = 200\text{ mA}$		0.01		%/V
	Load regulation	$1\text{ mA} \leq I_{POS} \leq 300\text{ mA}$		0.007		%/A
INVERTING BUCK-BOOST CONVERTER (V_{NEG})						
V_{NEG}	Output voltage default			-4.0		V
	Output voltage range		-1.4		-5.4	
	Output voltage accuracy	$25^\circ\text{C} \leq T_A \leq 85^\circ\text{C}$, no load	-50		50	
$-30^\circ\text{C} \leq T_A \leq 85^\circ\text{C}$, no load		-60		60		
$r_{DS(on)2A}$	SWN MOSFET on-resistance	$I_{(SWN)} = 200\text{ mA}$		200		$\text{m}\Omega$
$r_{DS(on)2B}$	SWN MOSFET rectifier on-resistance			300		$\text{m}\Omega$
f_{SW2}	SWN Switching frequency	$I_{NEG} = 10\text{ mA}$		1.7		MHz
I_{SW2}	SWN switch current limit	$V_I = 2.9\text{ V}$	1.5	2.2	3	A
V_{SCP2}	Short circuit threshold in operation	Voltage increase from nominal V_{NEG}	300	500	700	mV
	Short circuit threshold in start up		180	200	230	mV
t_{SCP2}	Short circuit detection time in start up			10		ms
	Short circuit detection time in operation			3		ms
R_{DCHG2}	Discharge resistance	$CTRL = GND$, $I_{(SWN)} = 1\text{ mA}$	130	150	170	Ω
	Line regulation	$I_{NEG} = 200\text{ mA}$		0.004		%/V
	Load regulation			0.1		%/A
BOOST CONVERTER 2 (AV_{DD})						

Electrical Characteristics (continued)

$V_I = 3.7\text{ V}$, $CTRL = 3.7\text{ V}$, $EN = 3.7\text{ V}$, $V_{POS} = 4.6\text{ V}$, $V_{NEG} = -4.0\text{ V}$, $AV_{DD} = 7.7\text{ V}$, $T_J = -40^\circ\text{C}$ to 85°C , typical values are at $T_J = 25^\circ\text{C}$ (unless otherwise noted)

PARAMETER		TEST CONDITIONS	MIN	TYP	MAX	UNIT
AV_{DD}	Output voltage	SELP2 = Low		7.7		V
		SELP2 = High		5.8		
	Output voltage accuracy	$25^\circ\text{C} \leq T_A \leq 85^\circ\text{C}$, no load	-1%		1%	
		$-30^\circ\text{C} \leq T_A \leq 85^\circ\text{C}$, no load	-1.3%		1.3%	
$r_{DS(on)3A}$	SWP2 switch on-resistance	$I_{(SWP2)} = 200\text{ mA}$		400		m Ω
$r_{DS(on)3B}$	SWP2 rectifier on-resistance			650		
f_{SW3}	Switching frequency	$I_{AVDD} = 0\text{ mA}$		1.7		MHz
I_{LIM3}	Switch current limit	Inductor valley current	0.25	0.35	0.45	A
R_{DCHG3}	Discharge resistance	$EN = GND$, $I_{(SWP2)} = 1\text{ mA}$	10	30	70	Ω
	Line regulation	$I_{AVDD} = 30\text{ mA}$		0.02		%/V
	Load regulation			0.18		%/mA
CTRL INTERFACE (CTRL, EN, SELP2)						
V_{IH}	Logic input high level voltage		1.2			V
V_{IL}	Logic input low level voltage				0.4	V
R	Pull-down resistance		150	400	860	k Ω
OTHER						
R_{CT}	CT pin resistance		150	300	500	k Ω
t_{INIT}	Initialization time			300	400	μs
t_{STORE}	Data storage/accept time period		30		80	μs
t_{SDN}	Shutdown time period		30		80	μs
T_{SD}	Thermal shutdown temperature	Temperature rising		145		$^\circ\text{C}$

7.6 Timing Requirements

		MIN	NOM	MAX	UNIT
CTRL INTERFACE					
t_{LOW}	Low-level pulse duration	2	10	25	μs
t_{HIGH}	High-level pulse duration	2	10	25	μs
t_{OFF}	Shutdown pulse duration (CTRL = low)	200			μs

7.7 Typical Characteristics

$T_J = 25^\circ\text{C}$, $V_I = 3.7\text{ V}$, unless otherwise stated.

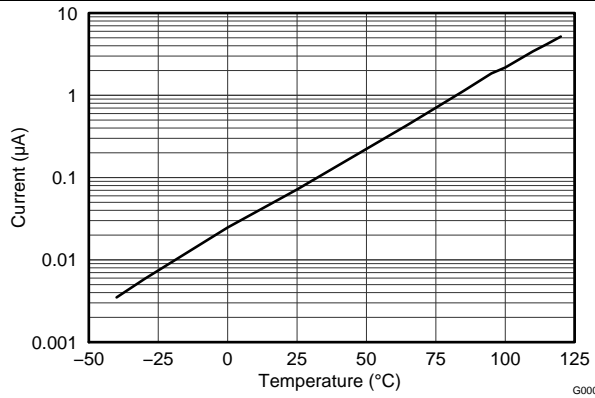


Figure 1. Shutdown Current into AVIN and PVIN Pins

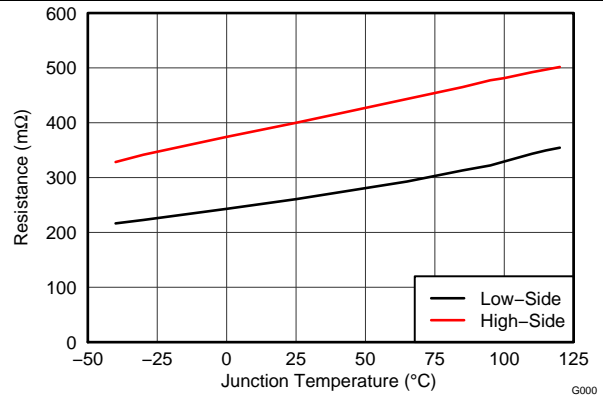


Figure 2. Boost Converter 1 (V_{POS}) $r_{DS(ON)}$

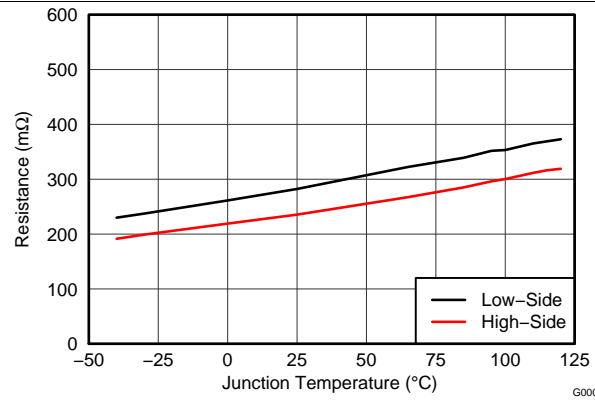


Figure 3. Inverting Buck-Boost Converter (V_{NEG}) $r_{DS(ON)}$

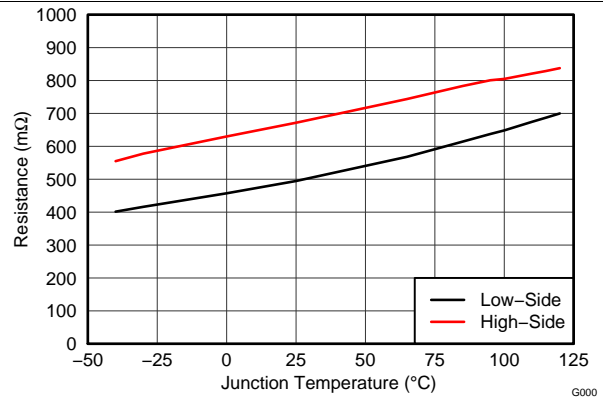


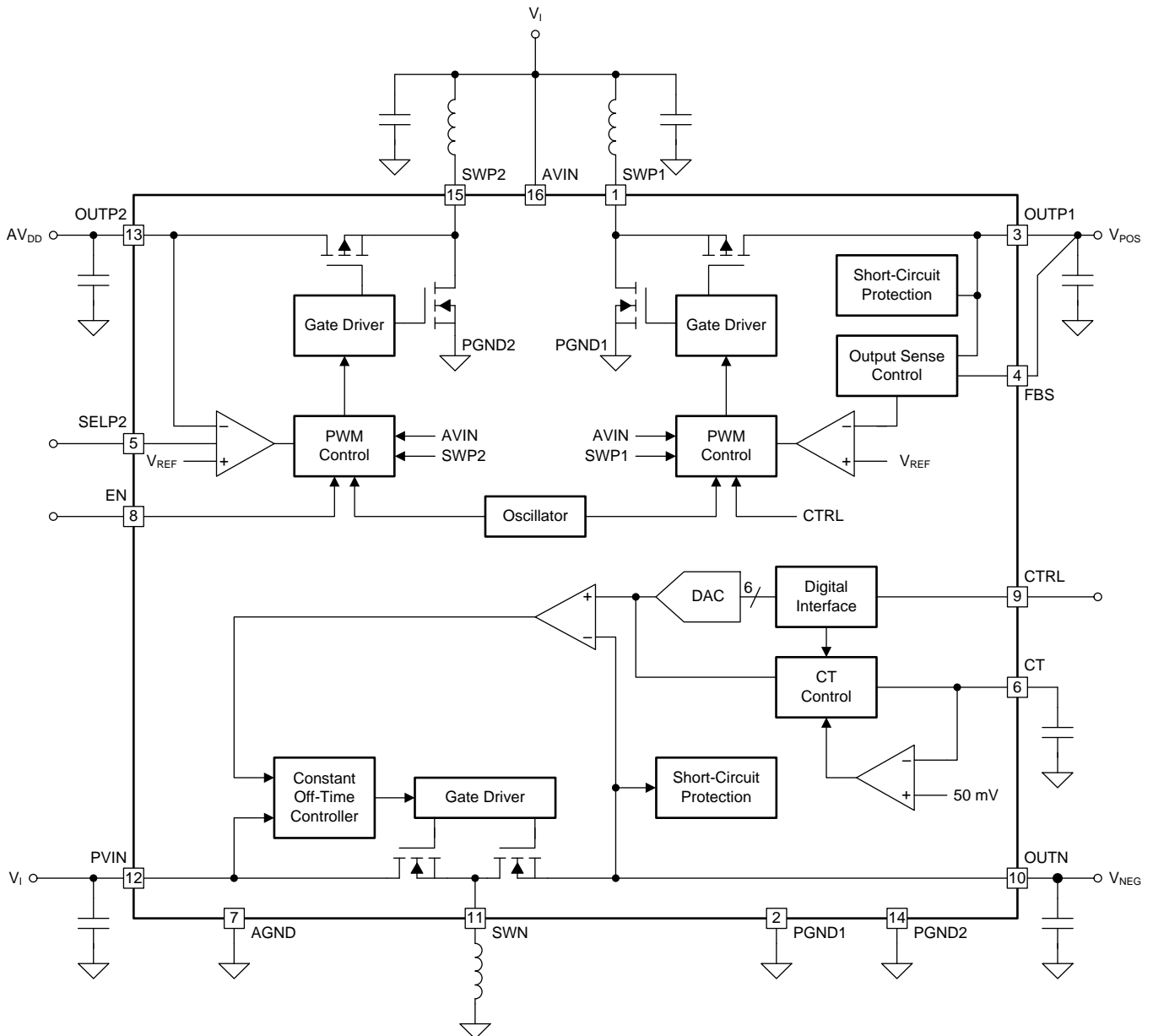
Figure 4. Boost Converter 2 (AV_{DD}) $r_{DS(ON)}$

8 Detailed Description

8.1 Overview

The TPS65632 consists of two boost converters and an inverting buck-boost converter. The V_{POS} output is fixed at 4.6 V and V_{NEG} is programmable via a digital interface in the range of -1.4 V to -5.4 V; the default is -4 V. AV_{DD} can be selected between 7.7 V and 5.8 V, using the SELP2 pin. The transition time of V_{NEG} output is adjustable by the CT pin capacitor.

8.2 Functional Block Diagram



8.3 Feature Description

8.3.1 Boost Converter 1 (V_{POS})

Boost converter 1 uses a fixed-frequency current-mode topology. Its output voltage (V_{POS}) is programmed at the factory to 4.6 V and cannot be changed by the user.

For highest output voltage accuracy, connect the output sense pin (FBS) directly to the positive terminal of the main output capacitor. If not used, the FBS pin can be left floating or connected to ground, in which case the boost converter senses the output voltage via the OUTP1 pin.

8.3.1.1 $V_{(POS)}$ Boost Output Sense (FBS Pin)

$V_{(POS)}$ boost has a dedicated output sense pin (FBS). If FBS is floating or connected to ground, $V_{(POS)}$ boost senses the output through OUTP1 pin.

8.3.2 Inverting Buck-Boost Converter (V_{NEG})

The inverting buck-boost converter uses a constant-off-time current-mode topology. The converter's default output voltage (V_{NEG}) is -4.0 V, but it can be programmed from -1.4 V to -5.4 V (see [Programming \$V_{NEG}\$](#)).

8.3.2.1 Programming V_{NEG}

The digital interface allows programming of V_{NEG} in discrete steps. If the output voltage setting function is not required then the CTRL pin can also be used as a standard enable pin. The digital output voltage programming of V_{NEG} is implemented using a simple digital interface with the timing shown in [Figure 5](#).

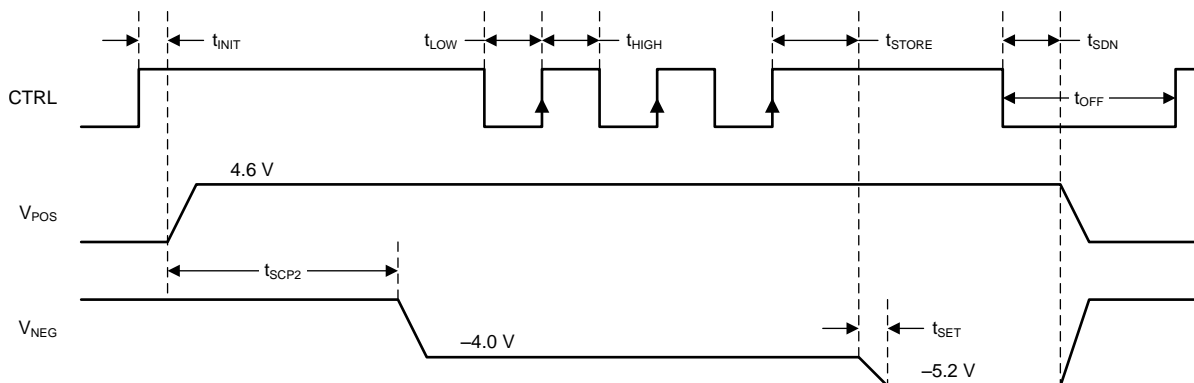


Figure 5. Digital Interface Using CTRL

When CTRL is pulled high the device starts up with its default voltage of -4 V. The device includes a 6-bit DAC that generates the output voltages shown in [Table 1](#). The interface counts the rising edges applied to the CTRL pin once the device is enabled. According to [Table 1](#), V_{NEG} is programmed to -5.2 V since 3 rising edges are detected.

Feature Description (continued)
Table 1.

Bit / Rising Edges	V _{NEG}	DAC Value	Bit / Rising Edges	V _{NEG}	DAC Value
0 / no pulse	-4.0 V	000000	21	-3.4 V	010101
1	-5.4 V	000001	22	-3.3 V	010110
2	-5.3 V	000010	23	-3.2 V	010111
3	-5.2 V	000011	24	-3.1 V	011000
4	-5.1 V	000100	25	-3.0 V	011001
5	-5.0 V	000101	26	-2.9 V	011010
6	-4.9 V	000110	27	-2.8 V	011011
7	-4.8 V	000111	28	-2.7 V	011100
8	-4.7 V	001000	29	-2.6 V	011101
9	-4.6 V	001001	30	-2.5 V	011110
10	-4.5 V	001010	31	-2.4 V	011111
11	-4.4 V	001011	32	-2.3 V	100000
12	-4.3 V	001100	33	-2.2 V	100001
13	-4.2 V	001101	34	-2.1 V	100010
14	-4.1 V	001110	35	-2.0 V	100011
15	-4.0 V	001111	36	-1.9 V	100100
16	-3.9 V	010000	37	-1.8 V	100101
17	-3.8 V	010001	38	-1.7 V	100110
18	-3.7 V	010010	39	-1.6 V	100111
19	-3.6 V	010011	40	-1.5 V	101000
20	-3.5 V	010100	41	-1.4 V	101001

8.3.2.2 Controlling V_{NEG} Transition Time

The transition time (t_{SET}) is the time required to move V_{NEG} from one voltage level to the next. Users can control the transition time with a capacitor connected between the CT pin and ground. When the CT pin is left open or connected to ground the transition time is as short as possible. When a capacitor is connected to the CT pin the transition time is determined by the time constant (τ) of the external capacitor ($C_{(CT)}$) and the internal resistance of the CT pin (R_{CT}). The output voltage reaches 70% of its programmed value after 1τ .

An example is given when using 100 nF for $C_{(CT)}$.

$$\tau = 300 \text{ k}\Omega \times 100 \text{ nF} = 30 \text{ ms} \quad (1)$$

The output voltage is at 70% of its final value after 1τ (i.e. 30 ms in this case) and at its final value after approximately 3τ (90 ms in this case).

8.3.3 Boost Converter 2 (AV_{DD})

Boost converter 2 uses a fixed-frequency current-mode topology. The TPS65632 device supports fixed output voltages of 5.8 V and 7.7 V, selected by the SELP2 pin. $AV_{DD} = 7.7 \text{ V}$ when SELP2 is low or left floating, and $AV_{DD} = 5.8 \text{ V}$ when SELP2 is high.

8.3.4 Soft Start and Start-Up Sequence

The devices feature a soft-start function to limit inrush current. Boost converter 2 (AV_{DD}) is enabled when EN goes high. When CTRL goes high, boost converter 1 starts with a reduced switch current limit and 10 ms later the inverting buck-boost converter (V_{NEG}) starts with its default value of -4 V. The typical start-up sequence is shown in [Figure 6](#). The two boost converters operate independently and boost converter 1 (V_{POS}) does not require boost converter 2 (AV_{DD}) to be in regulation in order for it to start..

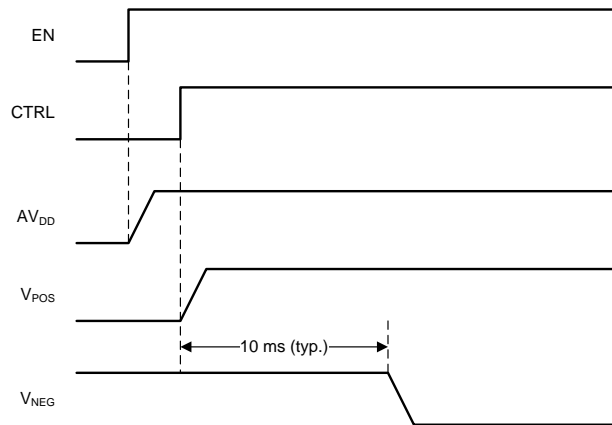


Figure 6. Start-Up Sequence

8.3.5 Enable (CTRL)

The CTRL pin serves two functions: one is to enable and disable the device, and the other is to program the output voltage (V_{NEG}) of the inverting buck-boost converter (see [Programming \$V_{NEG}\$](#)). If the V_{NEG} programming function is not required the CTRL pin can be used as a standard enable pin for the device, which will start up with its default value of -4.0 V on V_{NEG} . The device is enabled when CTRL is pulled high and disabled when CTRL is pulled low.

Note that to ensure proper start up CTRL must be pulled low for a minimum of $200\ \mu\text{s}$ before being pulled high again.

8.3.6 Undervoltage Lockout

The device features an undervoltage lockout function that disables it when the input supply voltage is too low for proper operation.

8.3.7 Short-Circuit Protection

8.3.7.1 Short Circuits During Operation

The device is protected against short circuits of V_{POS} and V_{NEG} to ground and short circuit of these two outputs to each other. During normal operation an error condition is detected if V_{POS} falls below 4.1 V for longer than 3 ms or V_{NEG} is pulled above the programmed nominal output by 500 mV for longer than 3 ms . In either case the device goes into shutdown and the outputs are disconnected from the input. This state is latched, and to resume normal operation, V_I has to cycle below the undervoltage lockout threshold, or CTRL has to toggle LOW and then HIGH.

8.3.7.2 Short Circuits During Start Up

During start up an error condition is detected in the following cases:

- V_{POS} is not in regulation 10 ms after CTRL goes HIGH
- V_{NEG} is higher than threshold level 10 ms after CTRL goes HIGH
- V_{NEG} is not in regulation 20 ms after CTRL goes HIGH

If any of the above conditions is met the device goes into shutdown and the outputs are disconnected from the input. This state is latched, and to resume normal operation V_I has to cycle below the undervoltage threshold, or CTRL has to toggle LOW and HIGH.

8.3.8 Output Discharge During Shut Down

The device discharges outputs during shutdown. [Figure 7](#) shows the discharge control.

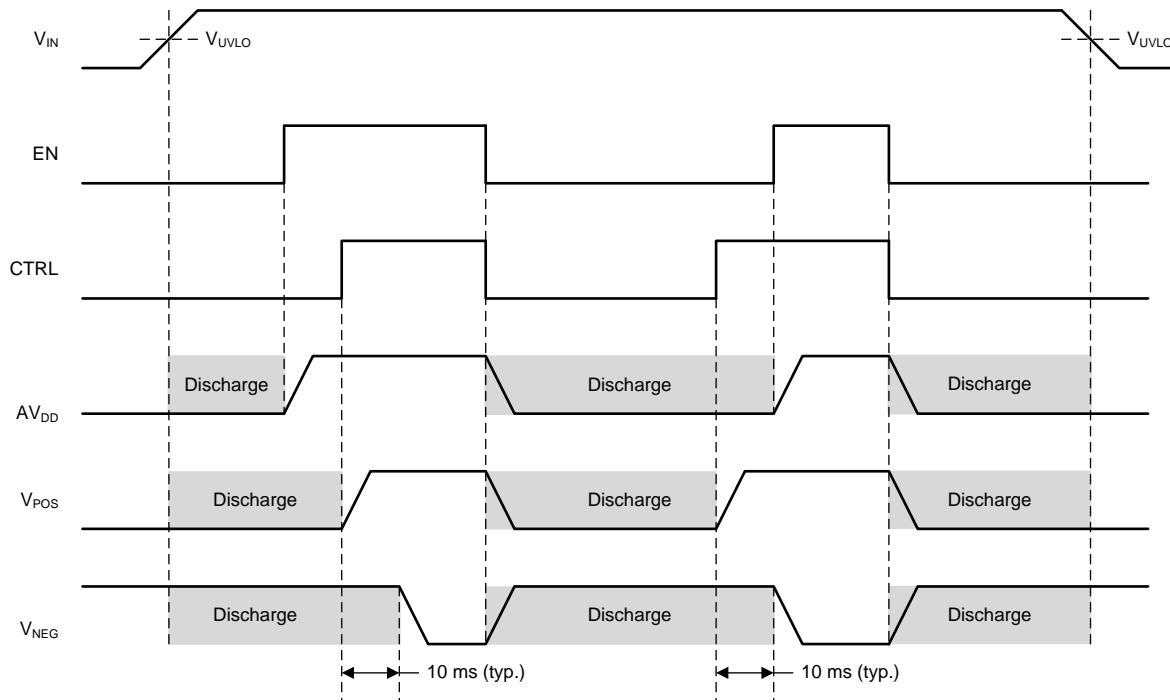


Figure 7. Outputs Discharge During Shut Down

8.3.9 Thermal Shutdown

The TPS65632 device enters thermal shutdown if its junction temperature exceeds 145°C (typical). During thermal shutdown none of the device's functions are available. To resume normal operation V_I has to cycle below the undervoltage threshold, or CTRL has to toggle LOW and then HIGH.

8.4 Device Functional Modes

8.4.1 Operation with $V_I < 2.9\text{ V}$

The recommended minimum input supply voltage for full-performance is 2.9 V. The device continues to operate with input supply voltages below 2.9 V, however, full performance is not guaranteed. The TPS65632 device does not operate with input supply voltages below the UVLO threshold.

8.4.2 Operation with $V_I \approx V_{POS}$ (Diode Mode)

The TPS65632 device features a "diode" mode that enables it to regulate its V_{POS} output even when the input supply voltage is close to V_{POS} (that is, too high for normal boost operation). When operating in diode mode the V_{POS} boost converter's high-side switch is disabled and its body diode used as the rectifier. Note that a minimum load of $\approx 2\text{ mA}$ is required to proper output regulation in diode mode.

8.4.3 Operation with CTRL

When a low-level signal is applied to the CTRL pin the device is disabled and switching is inhibited. When the input supply voltage is above the UVLO threshold and a high-level signal is applied to the CTRL pin the device is enabled and its start-up sequence begins.

9 Application and Implementation

NOTE

Information in the following applications sections is not part of the TI component specification, and TI does not warrant its accuracy or completeness. TI's customers are responsible for determining suitability of components for their purposes. Customers should validate and test their design implementation to confirm system functionality.

9.1 Application Information

The TPS65632 device is intended to supply the main analog supplies required by AMOLED displays in smartphone applications. V_{POS} is fixed at 4.6 V, but V_{NEG} can be programmed using the CTRL pin to voltages in the range -1.4 V to -5.4 V. The SELP2 pin can be used to set AV_{DD} to either 5.8 V or 7.7 V. The device is highly integrated and requires few external components.

9.2 Typical Application

Figure 8 shows a typical application circuit suitable for supplying AMOLED displays in smartphone applications. The circuit is designed to operate from a single-cell Li-Ion battery and generates a positive output voltage V_{POS} of 4.6 V, a negative output voltage V_{NEG} of -4.0 V, and a positive output voltage AV_{DD} of 5.8 V or 7.7 V. The V_{POS} and V_{NEG} outputs are each capable of supplying up to 300 mA of current, and the AV_{DD} output of up to 30 mA.

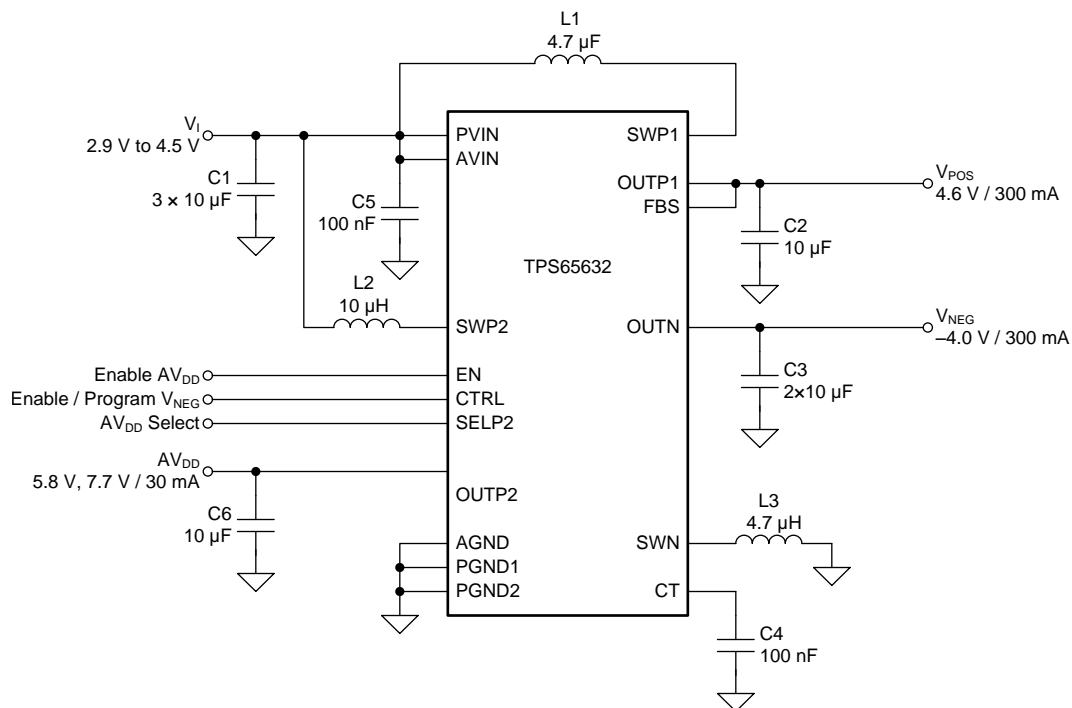


Figure 8. Typical Application Circuit

Typical Application (continued)

9.2.1 Design Requirements

For this design example, use the parameters shown in [Table 2](#)

Table 2. Design Parameters

PARAMETER	VALUE
Input voltage range	2.9 V to 4.5 V
Output voltage	$V_{POS} = 4.6\text{ V}$ $V_{NEG} = -4.0\text{ V}$ $AV_{DD} = 7.7\text{ V}$
Current	$I_{(VPOS)} = 300\text{ mA}$ $I_{(VNEG)} = 300\text{ mA}$ $I_{(AVDD)} = 30\text{ mA}$
Switching Frequency	$f_{(SWP1)} = 1.7\text{ MHz}$ $f_{(SWN)} = 1.7\text{ MHz}$ $f_{(SWP2)} = 1.7\text{ MHz}$

9.2.2 Detailed Design Procedure

In order to maximize performance, the TPS65632 device has been optimized for use with a relatively narrow range of component values, and customers are strongly recommended to use the application circuits shown in [Figure 8](#) with the components listed in [Table 3](#) and [Table 4](#).

9.2.2.1 Inductor Selection

The V_{POS} and V_{NEG} converters have been optimized for use with 4.7- μH inductors and the AV_{DD} boost converter has been optimized for use with 10- μH inductors. For optimum performance it is recommended that these values be used in all applications. Customers using different inductors than the ones in [Table 3](#) are strongly recommended to characterize circuit performance fully before finalizing their design. Customers should pay particular attention to the inductors' saturation current and ensure it is adequate for their application's worst-case conditions (which may also be during start-up).

Table 3. Inductor Selection

REFERENCE DESIGNATOR	VALUE	MANUFACTURER	PART NUMBER
L1, L3	4.7 μH	Coilcraft	XFL4020-4R7ML
L2	10 μH	Coilmaster	MMPP252012-100N

9.2.2.2 Capacitor Selection

The recommended capacitor values are shown in [Table 4](#). Applications using less than the recommended capacitance (e.g. to save PCB area) may exhibit increased voltage ripple. In general, the lower the output current, the lower the necessary capacitance. Customers should be aware that ceramic capacitors of the kind typically used with the TPS65632 device exhibit dc bias effects, which means their effective capacitance under normal operating conditions may be significantly lower than their nominal capacitance value. Customers must ensure that the *effective* capacitance is sufficient for their application's performance requirements.

Table 4. Capacitor Selection

REFERENCE DESIGNATOR	VALUE	MANUFACTURER	PART NUMBER
C1	3 \times 10 μF	Murata	GRM21BR71A106KE51
C2, C6	10 μF	Murata	GRM21BR71A106KE51
C3	2 \times 10 μF	Murata	GRM21BR71A106KE51
C4, C5	100 nF	Murata	GRM155B11A104KA01

9.2.3 Application Curves

Unless otherwise stated: $T_A = 25^\circ\text{C}$, $V_I = 3.7\text{ V}$, $V_{\text{POS}} = 4.6\text{ V}$, $V_{\text{NEG}} = -4.0\text{ V}$, $AV_{\text{DD}} = 7.7\text{ V}$; $L1 = L3 = \text{XFL4020-4R7ML}$, and $L2 = \text{MMPP252012-100N}$.

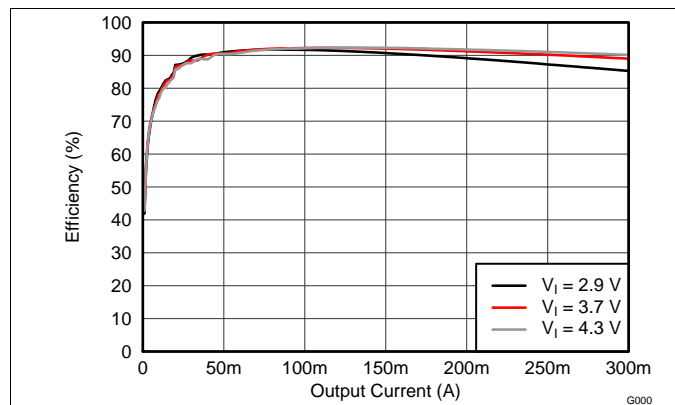


Figure 9. V_{POS} and V_{NEG} Combined Efficiency

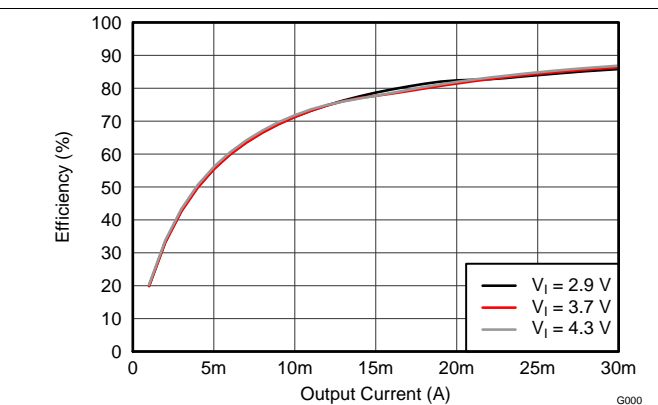


Figure 10. AV_{DD} Efficiency

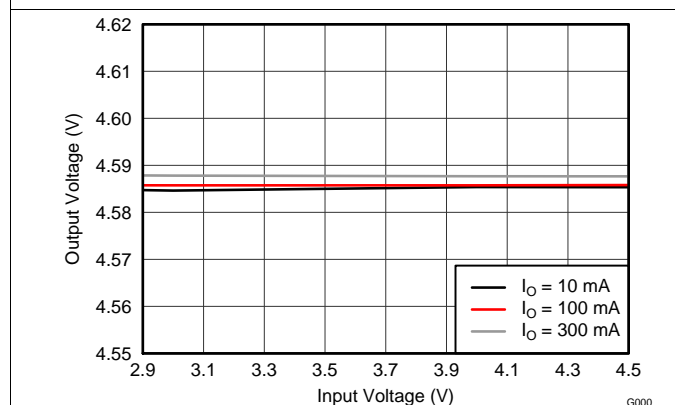


Figure 11. V_{POS} Line Regulation

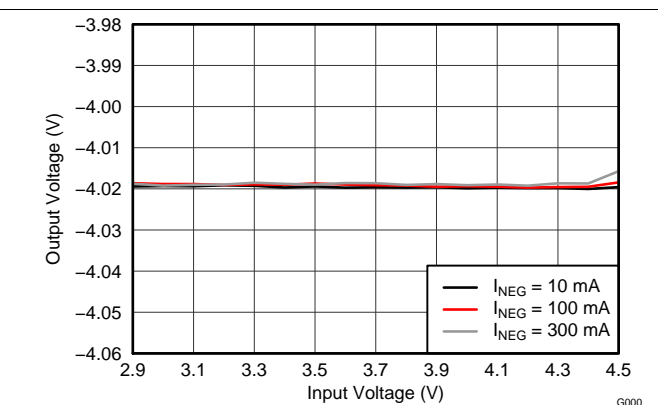


Figure 12. V_{NEG} Line Regulation

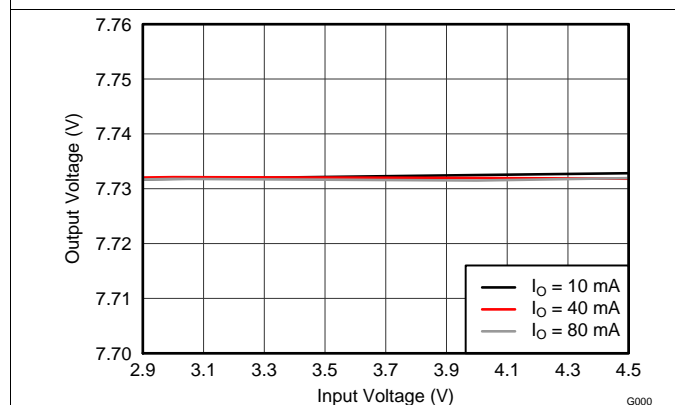


Figure 13. AV_{DD} Line Regulation

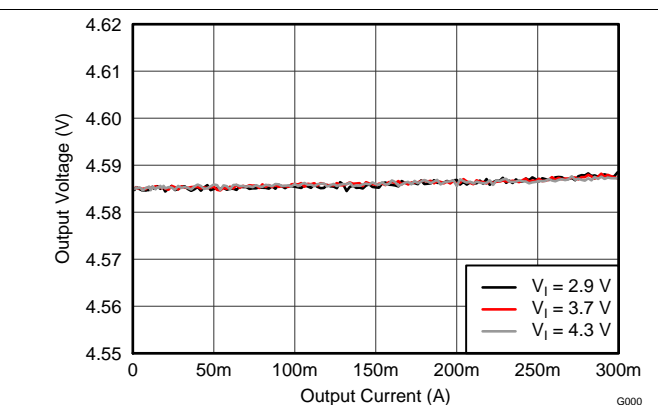


Figure 14. V_{POS} Load Regulation

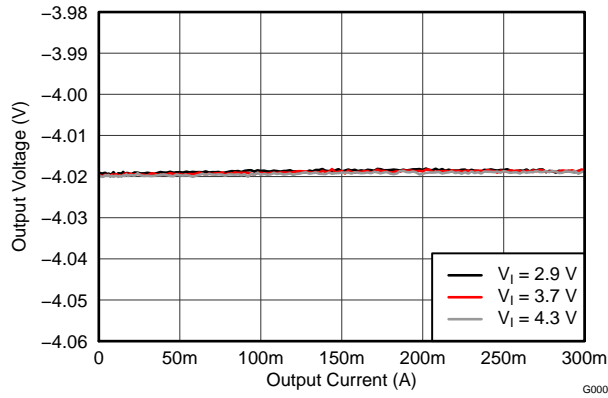


Figure 15. V_{NEG} Load Regulation

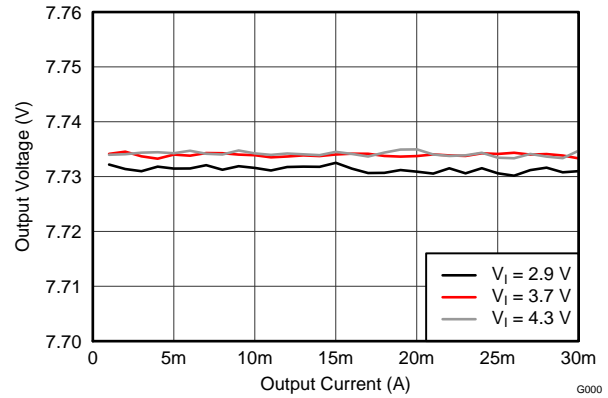


Figure 16. AV_{DD} Load Regulation

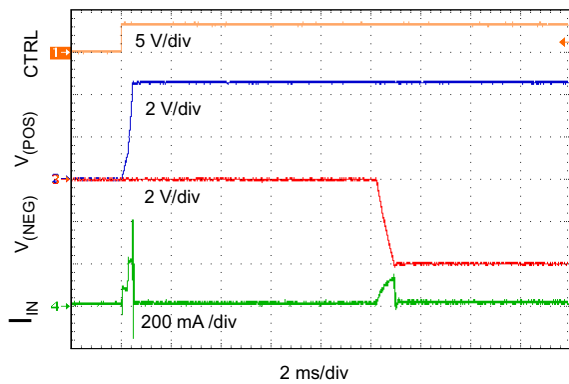


Figure 17. Start-Up: V_{POS} and V_{NEG}

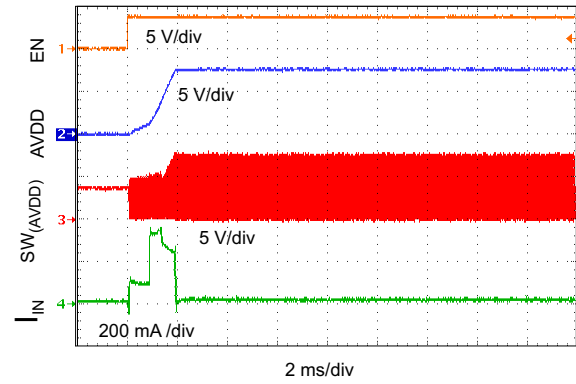


Figure 18. Start-Up: AV_{DD}

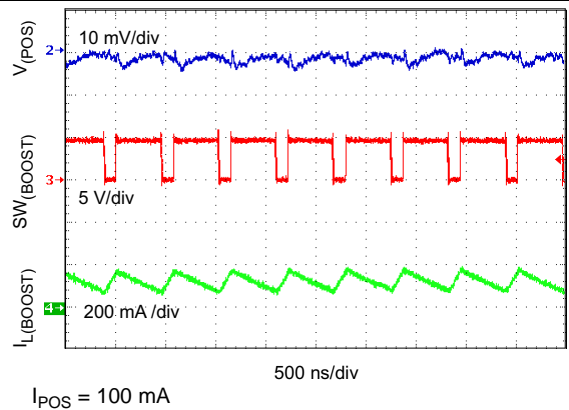


Figure 19. Switch Pin, Inductor Current and Output Voltage Waveforms: V_{POS}

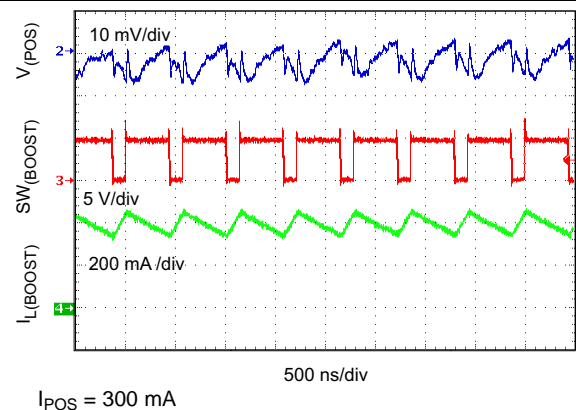


Figure 20. Switch Pin, Inductor Current and Output Voltage Waveforms: V_{POS}

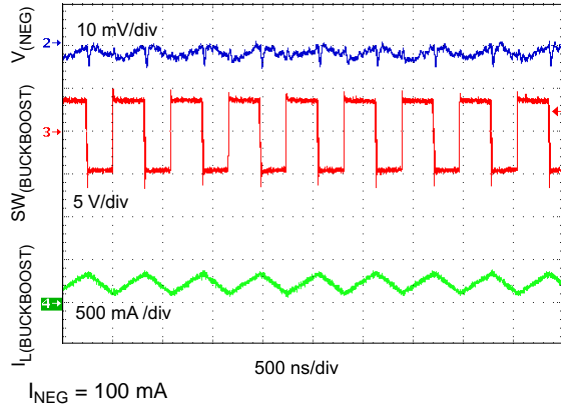


Figure 21. Switch Pin, Inductor Current and Output Voltage Waveforms: V_{NEG}

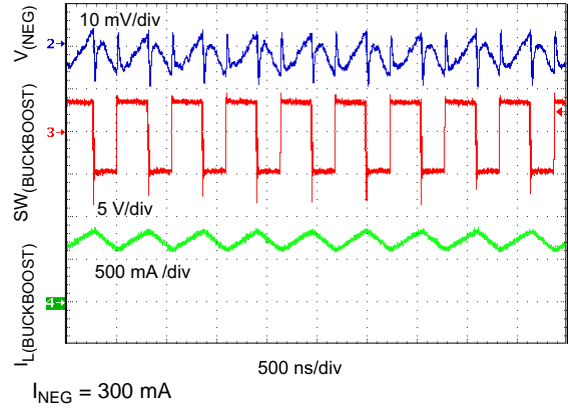


Figure 22. Switch Pin, Inductor Current and Output Voltage Waveforms: V_{NEG}

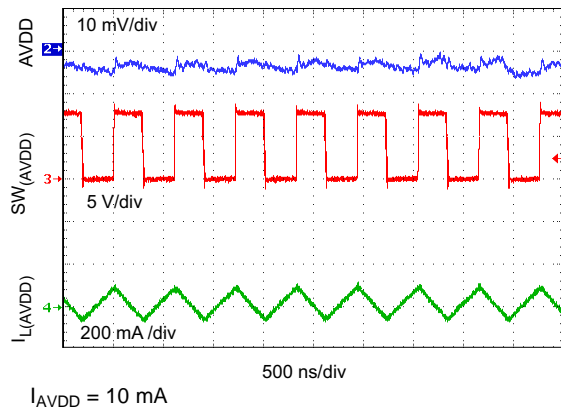


Figure 23. Switch Pin, Inductor Current and Output Voltage Waveforms: AV_{DD}

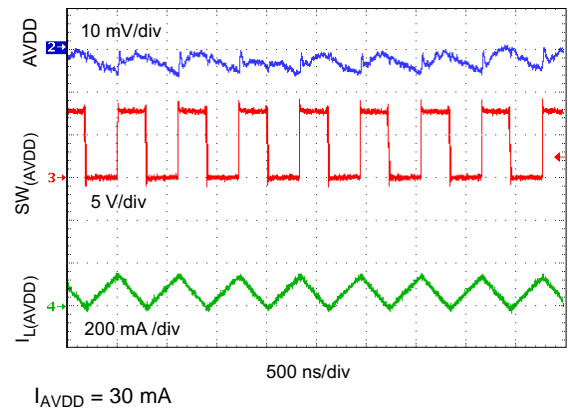


Figure 24. Switch Pin, Inductor Current and Output Voltage Waveforms: AV_{DD}

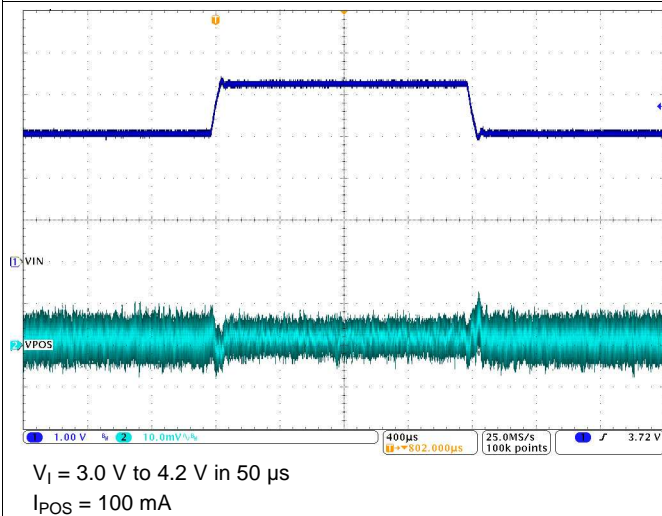


Figure 25. V_{POS} Line Transient Response

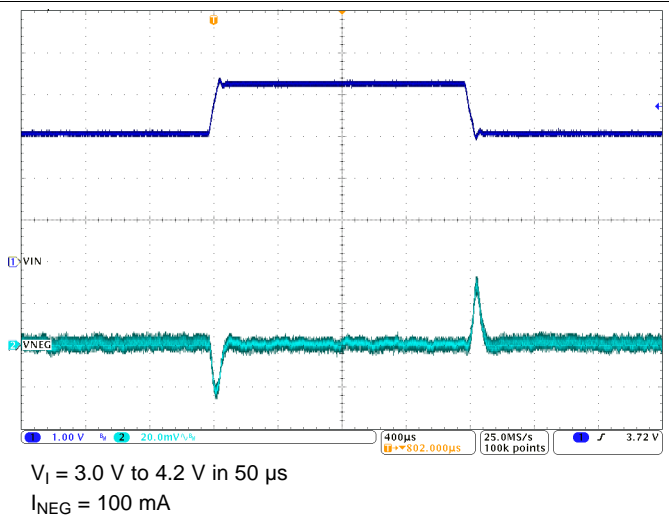
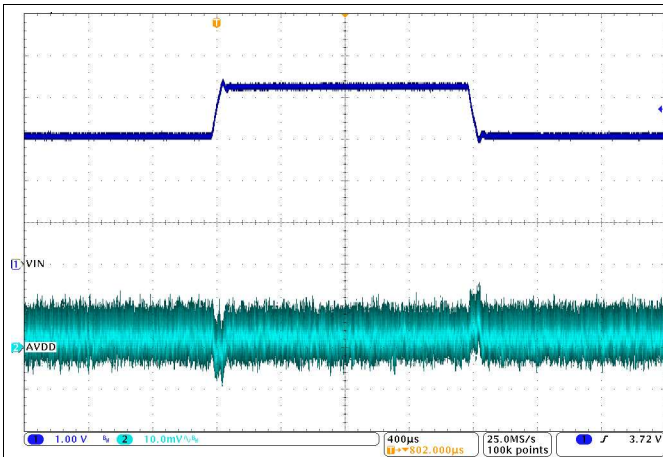
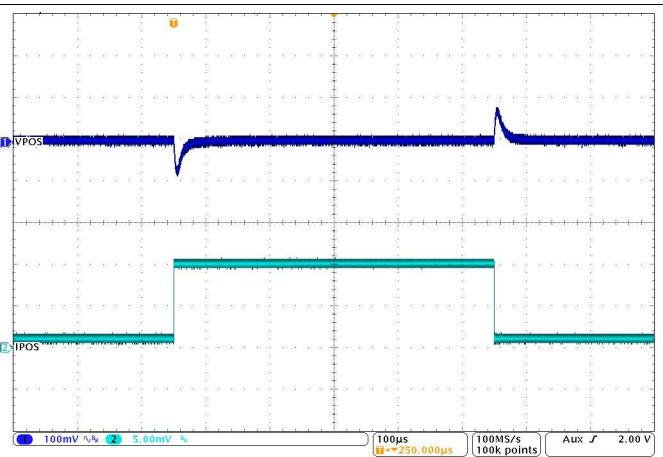


Figure 26. V_{NEG} Line Transient Response



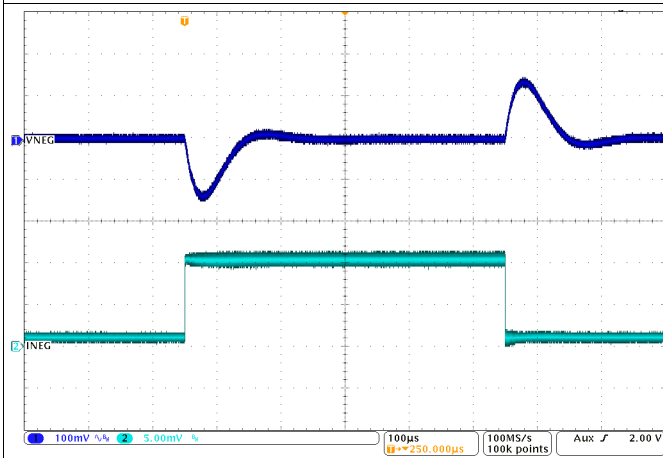
$V_I = 3.0\text{ V to }4.2\text{ V in }50\ \mu\text{s}$
 $I_{AVDD} = 30\text{ mA}$

Figure 27. AV_{DD} Line Transient Response



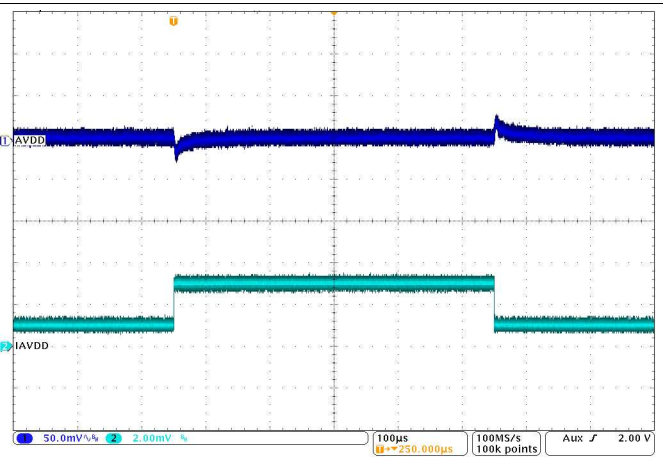
$I_{POS} = 10\text{ mA to }100\text{ mA in }100\text{ ns}$

Figure 28. V_{POS} Load Transient Response



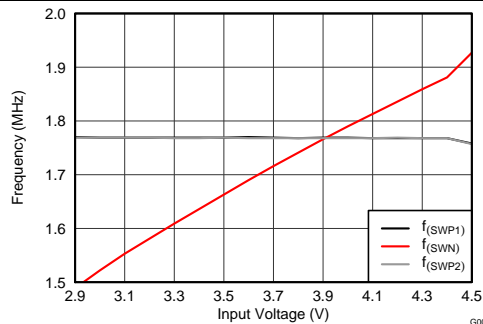
$I_{NEG} = 10\text{ mA to }100\text{ mA in }100\text{ ns}$

Figure 29. V_{NEG} Load Transient Response



$I_{AVDD} = 10\text{ mA to }30\text{ mA in }100\text{ ns}$

Figure 30. AV_{DD} Load Transient Response



$I_{POS} = 100\text{ mA}$

$I_{NEG} = 100\text{ mA}$

$I_{AVDD} = 30\text{ mA}$

Figure 31. Switching Frequency

10 Power Supply Recommendations

The TPS65632 device is designed to operate with input supply voltages in the range 2.9 V to 4.5 V. If the input supply voltage is located more than a few centimeters away from the device, additional bulk capacitance may be required. The three 10- μ F capacitors shown in [Figure 8](#) are suitable for typical applications.

11 Layout

11.1 Layout Guidelines

- Place the input capacitor on PVIN and the output capacitor on OUTN as close as possible to device. Use short and wide traces to connect the input capacitor on PVIN and the output capacitor on OUTN.
- Place the output capacitor on OUTP1 and OUTP2 as close as possible to device. Use short and wide traces to connect the output capacitor on OUTP1 and OUTP2.
- Connect the ground of CT capacitor with AGND, pin 7, directly.
- Connect input ground and output ground on the same board layer, not through via hole.
- Connect AGND, PGND1 and PGND2 with exposed thermal pad.

11.2 Layout Example

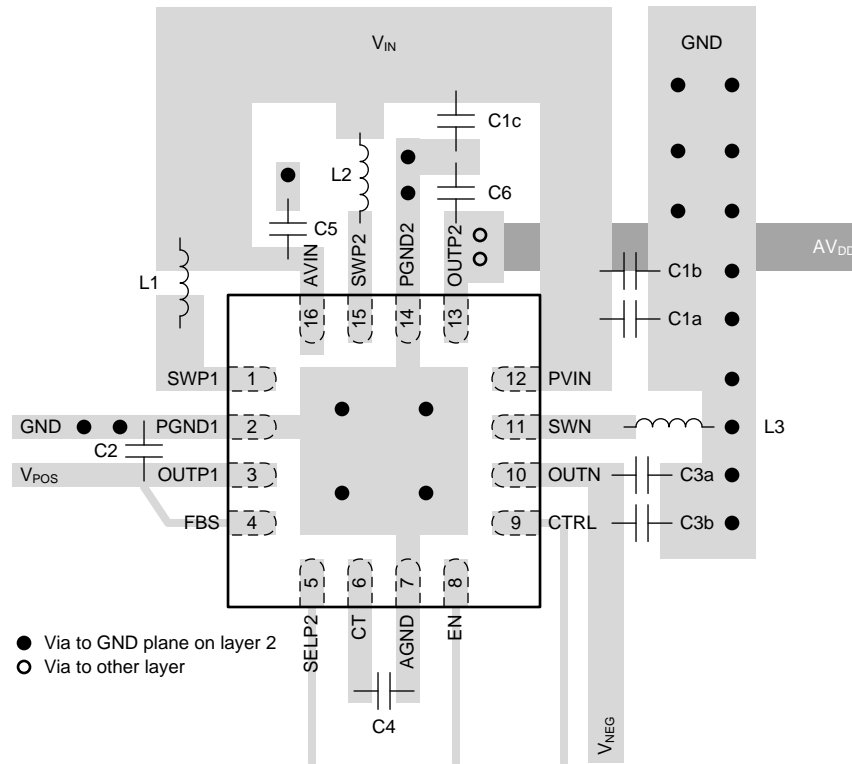


Figure 32. Recommended PCB Layout

12 器件和文档支持

12.1 器件支持

12.1.1 第三方产品免责声明

TI 发布的与第三方产品或服务有关的信息，不能构成与此类产品或服务或保修的适用性有关的认可，不能构成此类产品或服务单独或与任何 TI 产品或服务一起的表示或认可。

12.2 商标

12.3 静电放电警告



这些装置包含有限的内置 ESD 保护。存储或装卸时，应将导线一起截短或将装置放置于导电泡棉中，以防止 MOS 门极遭受静电损伤。

12.4 术语表

[SLYZ022](#) — TI 术语表。

这份术语表列出并解释术语、首字母缩略词和定义。

13 机械、封装和可订购信息

以下页中包括机械、封装和可订购信息。 这些信息是针对指定器件可提供的最新数据。 这些数据会在无通知且不
对本文档进行修订的情况下发生改变。 欲获得该数据表的浏览器版本，请查阅左侧的导航栏。

PACKAGING INFORMATION

Orderable Device	Status (1)	Package Type	Package Drawing	Pins	Package Qty	Eco Plan (2)	Lead finish/ Ball material (6)	MSL Peak Temp (3)	Op Temp (°C)	Device Marking (4/5)	Samples
TPS65632RTER	ACTIVE	WQFN	RTE	16	3000	RoHS & Green	NIPDAU	Level-1-260C-UNLIM	-40 to 85	PC6I	Samples
TPS65632RTET	ACTIVE	WQFN	RTE	16	250	RoHS & Green	NIPDAU	Level-1-260C-UNLIM	-40 to 85	PC6I	Samples

(1) The marketing status values are defined as follows:

ACTIVE: Product device recommended for new designs.

LIFEBUY: TI has announced that the device will be discontinued, and a lifetime-buy period is in effect.

NRND: Not recommended for new designs. Device is in production to support existing customers, but TI does not recommend using this part in a new design.

PREVIEW: Device has been announced but is not in production. Samples may or may not be available.

OBSOLETE: TI has discontinued the production of the device.

(2) **RoHS:** TI defines "RoHS" to mean semiconductor products that are compliant with the current EU RoHS requirements for all 10 RoHS substances, including the requirement that RoHS substance do not exceed 0.1% by weight in homogeneous materials. Where designed to be soldered at high temperatures, "RoHS" products are suitable for use in specified lead-free processes. TI may reference these types of products as "Pb-Free".

RoHS Exempt: TI defines "RoHS Exempt" to mean products that contain lead but are compliant with EU RoHS pursuant to a specific EU RoHS exemption.

Green: TI defines "Green" to mean the content of Chlorine (Cl) and Bromine (Br) based flame retardants meet JS709B low halogen requirements of <=1000ppm threshold. Antimony trioxide based flame retardants must also meet the <=1000ppm threshold requirement.

(3) MSL, Peak Temp. - The Moisture Sensitivity Level rating according to the JEDEC industry standard classifications, and peak solder temperature.

(4) There may be additional marking, which relates to the logo, the lot trace code information, or the environmental category on the device.

(5) Multiple Device Markings will be inside parentheses. Only one Device Marking contained in parentheses and separated by a "~" will appear on a device. If a line is indented then it is a continuation of the previous line and the two combined represent the entire Device Marking for that device.

(6) Lead finish/Ball material - Orderable Devices may have multiple material finish options. Finish options are separated by a vertical ruled line. Lead finish/Ball material values may wrap to two lines if the finish value exceeds the maximum column width.

Important Information and Disclaimer:The information provided on this page represents TI's knowledge and belief as of the date that it is provided. TI bases its knowledge and belief on information provided by third parties, and makes no representation or warranty as to the accuracy of such information. Efforts are underway to better integrate information from third parties. TI has taken and continues to take reasonable steps to provide representative and accurate information but may not have conducted destructive testing or chemical analysis on incoming materials and chemicals. TI and TI suppliers consider certain information to be proprietary, and thus CAS numbers and other limited information may not be available for release.

In no event shall TI's liability arising out of such information exceed the total purchase price of the TI part(s) at issue in this document sold by TI to Customer on an annual basis.

GENERIC PACKAGE VIEW

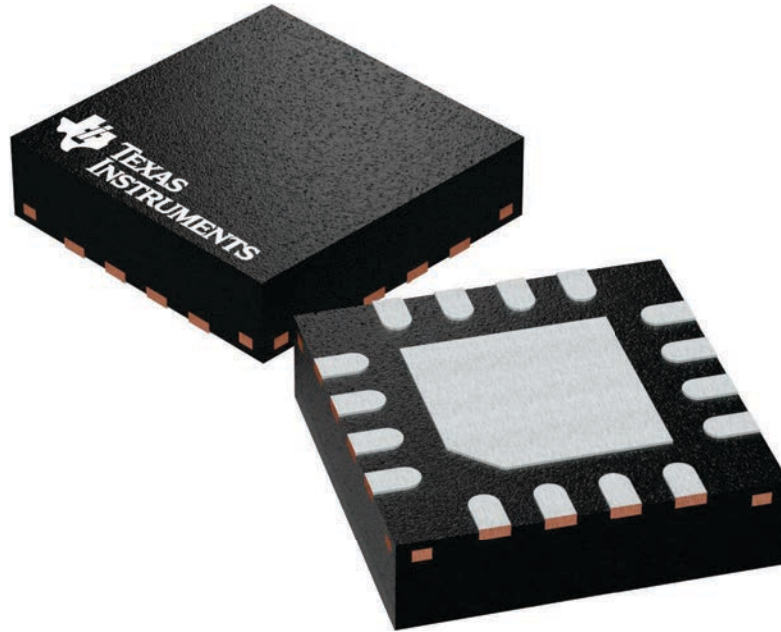
RTE 16

WQFN - 0.8 mm max height

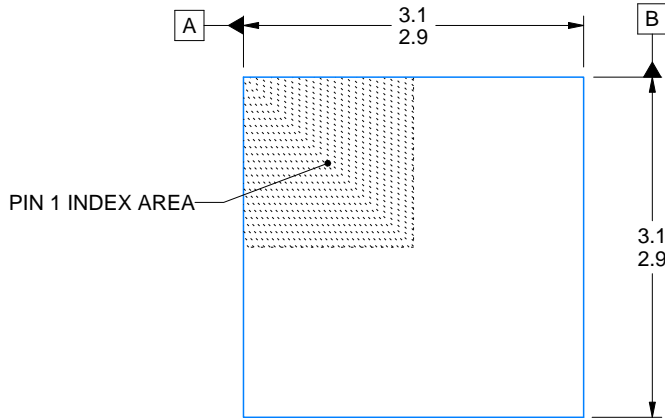
3 x 3, 0.5 mm pitch

PLASTIC QUAD FLATPACK - NO LEAD

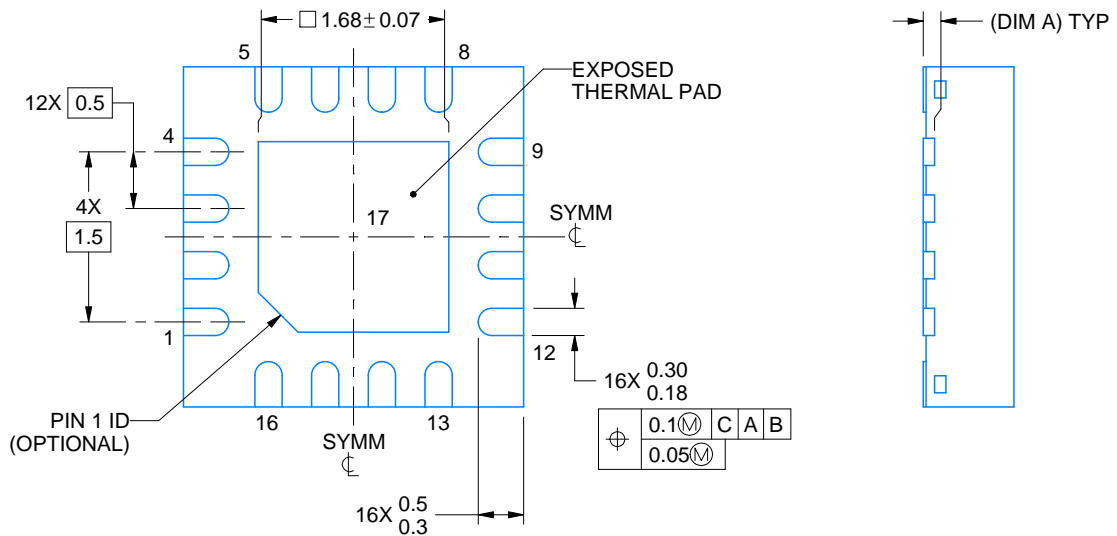
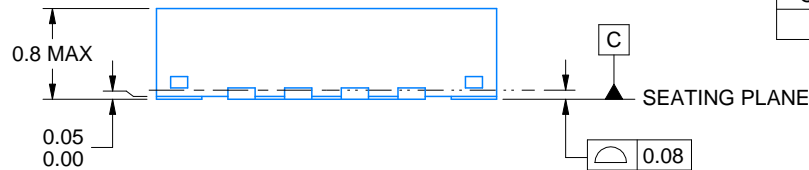
This image is a representation of the package family, actual package may vary.
Refer to the product data sheet for package details.



4225944/A



SIDE WALL METAL THICKNESS DIM A	
OPTION 1	OPTION 2
0.1	0.2



4219117/B 04/2022

NOTES:

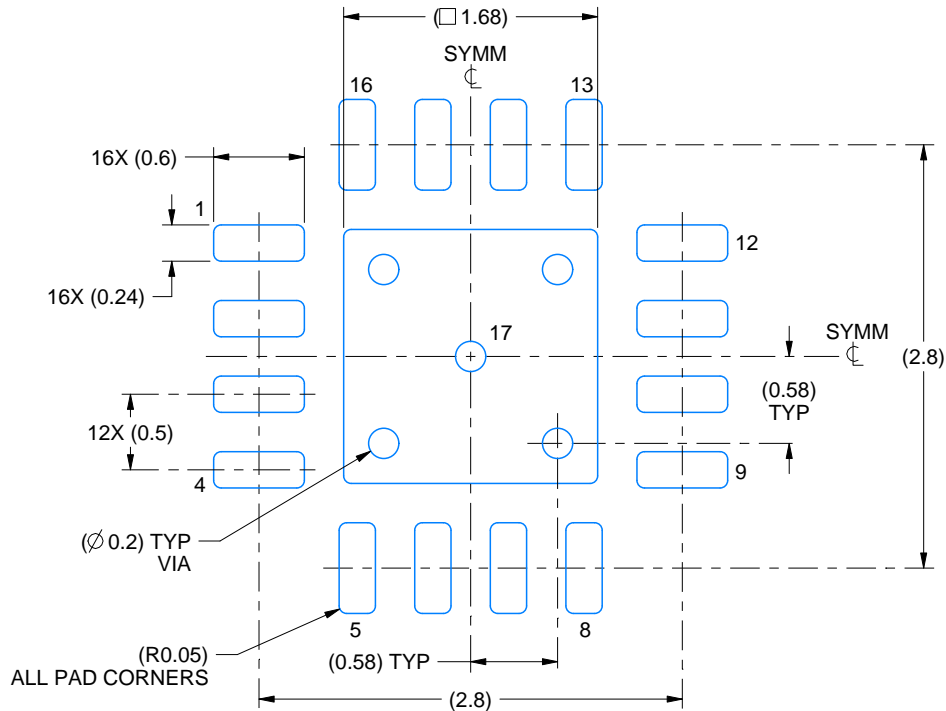
1. All linear dimensions are in millimeters. Any dimensions in parenthesis are for reference only. Dimensioning and tolerancing per ASME Y14.5M.
2. This drawing is subject to change without notice.
3. The package thermal pad must be soldered to the printed circuit board for thermal and mechanical performance.

EXAMPLE BOARD LAYOUT

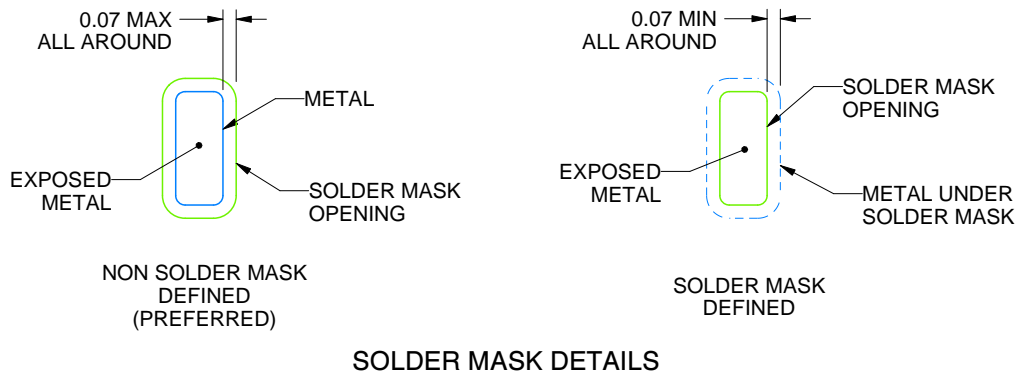
RTE0016C

WQFN - 0.8 mm max height

PLASTIC QUAD FLATPACK - NO LEAD



LAND PATTERN EXAMPLE
EXPOSED METAL SHOWN
SCALE:20X



4219117/B 04/2022

NOTES: (continued)

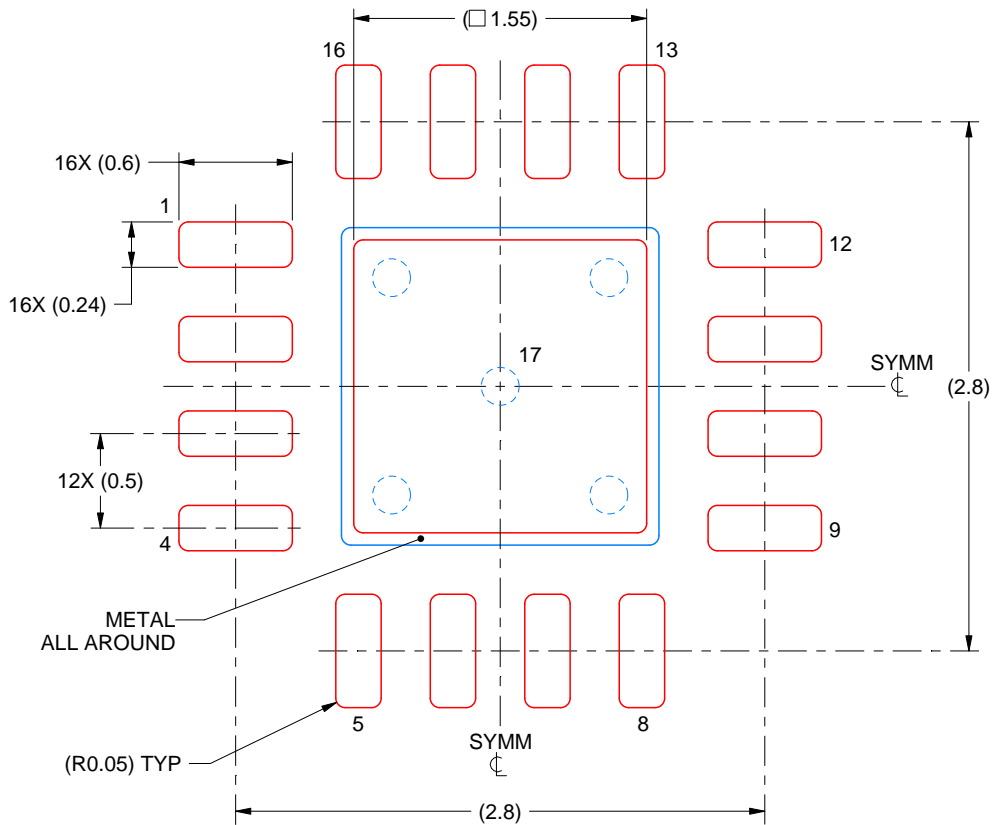
- This package is designed to be soldered to a thermal pad on the board. For more information, see Texas Instruments literature number SLUA271 (www.ti.com/lit/sl原因271).
- Vias are optional depending on application, refer to device data sheet. If any vias are implemented, refer to their locations shown on this view. It is recommended that vias under paste be filled, plugged or tented.

EXAMPLE STENCIL DESIGN

RTE0016C

WQFN - 0.8 mm max height

PLASTIC QUAD FLATPACK - NO LEAD



SOLDER PASTE EXAMPLE
BASED ON 0.125 mm THICK STENCIL

EXPOSED PAD 17:
85% PRINTED SOLDER COVERAGE BY AREA UNDER PACKAGE
SCALE:25X

4219117/B 04/2022

NOTES: (continued)

6. Laser cutting apertures with trapezoidal walls and rounded corners may offer better paste release. IPC-7525 may have alternate design recommendations.

重要声明和免责声明

TI“按原样”提供技术和可靠性数据（包括数据表）、设计资源（包括参考设计）、应用或其他设计建议、网络工具、安全信息和其他资源，不保证没有瑕疵且不做任何明示或暗示的担保，包括但不限于对适销性、某特定用途方面的适用性或不侵犯任何第三方知识产权的暗示担保。

这些资源可供使用 TI 产品进行设计的熟练开发人员使用。您将自行承担以下全部责任：(1) 针对您的应用选择合适的 TI 产品，(2) 设计、验证并测试您的应用，(3) 确保您的应用满足相应标准以及任何其他功能安全、信息安全、监管或其他要求。

这些资源如有变更，恕不另行通知。TI 授权您仅可将这些资源用于研发本资源所述的 TI 产品的应用。严禁对这些资源进行其他复制或展示。您无权使用任何其他 TI 知识产权或任何第三方知识产权。您应全额赔偿因在这些资源的使用中对 TI 及其代表造成的任何索赔、损害、成本、损失和债务，TI 对此概不负责。

TI 提供的产品受 [TI 的销售条款](#) 或 [ti.com](#) 上其他适用条款/TI 产品随附的其他适用条款的约束。TI 提供这些资源并不会扩展或以其他方式更改 TI 针对 TI 产品发布的适用的担保或担保免责声明。

TI 反对并拒绝您可能提出的任何其他或不同的条款。

邮寄地址：Texas Instruments, Post Office Box 655303, Dallas, Texas 75265

Copyright © 2022，德州仪器 (TI) 公司