

# TPS6572x 电源管理 IC (PMIC), 具有电池充电器、一个降压转换器和一个 LDO

## 1 特性

- 具备电源路径管理功能的电池充电器
- 28V 额定电源路径具有：
  - 100mA 输入电流限制
  - 500mA 输入电流限制
- 300mA 充电电流
- 适用于 TPS65720 的 200mA 降压转换器
- 适用于 TPS65721、TPS657201、TPS657202 的 400mA 降压转换器
- 效率高达 92%
- 直流/直流转换器的  $V_{IN}$  范围从 2.3V 扩大为 5.6V
- 2.25MHz 固定频率工作
- 轻负载电流状态下的省电模式
- PWM 模式下输出电压精度为  $\pm 2\%$
- 可实现 100% 占空比, 以确保最低压降
- 1 个通用 200mA LDO
- LDO 的  $V_{IN}$  范围为 1.8V 至 5.6V
- 与 I<sup>2</sup>C 兼容的接口
- 4 个通用输入输出 (GPIO)
- 采用引脚间距为 0.4mm 的 25 焊球 DSBGA 以及 4mm x 4mm 32 引脚 WQFN 封装。

## 2 应用

- 蓝牙耳机
- 手持设备
- 可穿戴设备、智能手表
- 便携式配件

## 3 说明

TPS6572x 器件是一种小型电源管理装置, 专用于蓝牙耳机或其他便携式低功耗终端设备。该器件包含一个支持 USB 的锂离子充电器、一个高效的降压转换器和一个低压降线性稳压器, 同时还具备其他支持功能。该器件由 I<sup>2</sup>C 接口来控制。可使用出厂时经过编程的非易失性内存来自定义多个设置。

为了在最大可能的负载电流范围内实现最大效率, 2.25MHz 的降压转换器在轻负载时进入低功耗模式。对于低噪声应用, 这些器件可通过与 I<sup>2</sup>C 兼容的接口强制进入固定频率 PWM 模式。

为了实现小解决方案尺寸, 该器件允许使用小型电感器和电容器。TPS65720 可在直流/直流转换器上提供高达 200mA 的输出电流, 而 TPS657201、TPS657202 和 TPS65721 可提供高达 400mA 的输出电流。TPS6572x 还集成了一个 200mA 的 LDO。该 LDO 可在 1.8V 至 5.6V 输入电压范围内正常运行, 这使得它可以由降压转换器的输出供电, 也可以由系统电压直接供电。

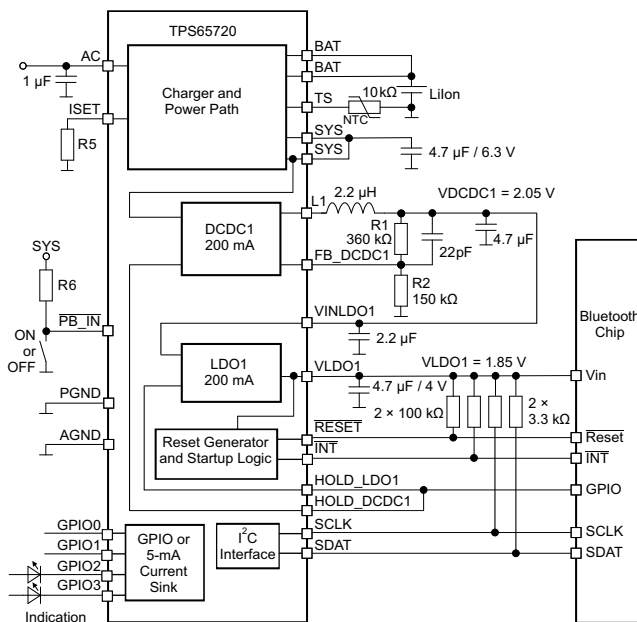
TPS65720、TPS657201 和 TPS657202 采用焊球间距为 0.4mm 的小型 25 焊球 2mm x 2mm 晶圆芯片级封装 (DSBGA) 或者间距为 0.4mm 的 4mm x 4mm WQFN 封装 (TPS65721)。

### 器件信息 (1)

器件型号	封装	封装尺寸 (标称值)
TPS65720x	DSBGA (25)	2.11mm x 2.11mm
TPS65721	WQFN (32)	4.00mm x 4.00mm

(1) 如需了解所有可用封装, 请参阅数据表末尾的可订购产品附录。

### 典型应用原理图



Copyright © 2016, Texas Instruments Incorporated



## 目录

<b>1</b>	特性 .....	<b>1</b>	8.4	Device Functional Modes .....	<b>30</b>
<b>2</b>	应用 .....	<b>1</b>	8.5	Programming .....	<b>31</b>
<b>3</b>	说明 .....	<b>1</b>	8.6	Register Maps .....	<b>33</b>
<b>4</b>	修订历史记录 .....	<b>2</b>	<b>9</b>	<b>Application and Implementation</b> .....	<b>47</b>
<b>5</b>	<b>Device Options</b> .....	<b>3</b>	9.1	Application Information .....	<b>47</b>
<b>6</b>	<b>Pin Configuration and Functions</b> .....	<b>4</b>	9.2	Typical Application .....	<b>47</b>
<b>7</b>	<b>Specifications</b> .....	<b>7</b>	<b>10</b>	<b>Power Supply Recommendations</b> .....	<b>56</b>
7.1	Absolute Maximum Ratings .....	<b>7</b>	<b>11</b>	<b>Layout</b> .....	<b>56</b>
7.2	ESD Ratings .....	<b>7</b>	11.1	Layout Guidelines .....	<b>56</b>
7.3	Recommended Operating Conditions .....	<b>7</b>	11.2	Layout Example .....	<b>56</b>
7.4	Thermal Information .....	<b>8</b>	<b>12</b>	<b>器件和文档支持</b> .....	<b>57</b>
7.5	Electrical Characteristics .....	<b>8</b>	12.1	器件支持 .....	<b>57</b>
7.6	Dissipation Ratings .....	<b>14</b>	12.2	文档支持 .....	<b>57</b>
7.7	Timing Requirements .....	<b>14</b>	12.3	相关链接 .....	<b>57</b>
7.8	Switching Characteristics .....	<b>15</b>	12.4	接收文档更新通知 .....	<b>57</b>
7.9	Typical Characteristics .....	<b>16</b>	12.5	社区资源 .....	<b>57</b>
<b>8</b>	<b>Detailed Description</b> .....	<b>18</b>	12.6	商标 .....	<b>57</b>
8.1	Overview .....	<b>18</b>	12.7	静电放电警告 .....	<b>57</b>
8.2	Functional Block Diagrams .....	<b>18</b>	12.8	术语表 .....	<b>58</b>
8.3	Feature Description .....	<b>20</b>	<b>13</b>	<b>机械、封装和可订购信息</b> .....	<b>58</b>

## 4 修订历史记录

注：之前版本的页码可能与当前版本有所不同。

<b>Changes from Revision B (October 2016) to Revision C</b>	<b>Page</b>
• 已更改 更改了数据表的标题 .....	<b>1</b>
• 已更改 静电放电注意事项声明 .....	<b>57</b>

<b>Changes from Revision A (September 2015) to Revision B</b>	<b>Page</b>
• Changed <i>Timer Fault</i> , To: <i>Charger Fault</i> , and Bit <TIMER_FAULT> = 1 To: Bit <CH_FAULT> = 1 .....	<b>24</b>
• <i>IRMASK0 Register Address: 0Dh (read/write)</i> , Changed B4 From: M_TIMER_FAULT To: Reserved .....	<b>44</b>
• <i>IR0 Register Address: 10h (read only)</i> , Changed B4 From: TIMER_FAULT To: Reserved .....	<b>45</b>
• <i>IR0 Register Address: 10h (read only)</i> , Changed B4 From: Rising edge of TIMER_FAULT To: Reserved .....	<b>45</b>

<b>Changes from Original (October 2009) to Revision A</b>	<b>Page</b>
• 已添加 <i>ESD</i> 额定值表, 特性 说明 部分、器件功能模式、应用和实施 部分、电源相关建议 部分、布局 部分、器件和文档支持 部分, 以及机械、封装和可订购信息 部分 .....	<b>1</b>
• 向数据表添加了 TPS657202 和 TPS65721 器件。 .....	<b>1</b>

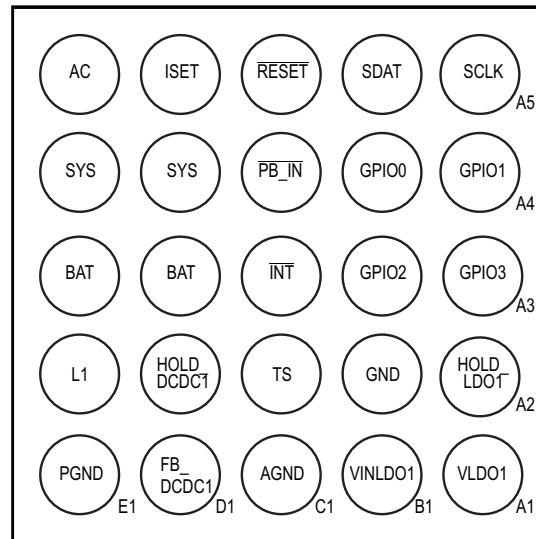
## 5 Device Options

PART NUMBER <sup>(1)</sup>	SIZE FOR DSBGA PACKAGE	OPTION
TPS65720	D = 2105 $\mu\text{m}$ $\pm 25$ $\mu\text{m}$ E = 2105 $\mu\text{m}$ $\pm 25$ $\mu\text{m}$	DCDC1 externally adjustable LDO1 default 1.85 V AC input current limit = 500 mA
TPS657201	D = 2105 $\mu\text{m}$ $\pm 25$ $\mu\text{m}$ E = 2105 $\mu\text{m}$ $\pm 25$ $\mu\text{m}$	DCDC1 default 1.85 V LDO1 default 1.85 V analog multiplexer (TS_OUT) AC input current limit = 500 mA
TPS657202	D = 2105 $\mu\text{m}$ $\pm 25$ $\mu\text{m}$ E = 2105 $\mu\text{m}$ $\pm 25$ $\mu\text{m}$	DCDC1 default 1.90 V LDO1 default 2.85 V analog multiplexer (TS_OUT) AC input current limit = 100 mA
TPS65721	—	DCDC1 externally adjustable LDO1 externally adjustable AC input current limit = 500 mA

- (1) The RSN and YFF package is available in tape and reel. Add R suffix (TPS65720YFFR; TPS65721RSNR) to order quantities of 3000 parts per reel. Add T suffix (TPS65720YFFT; TPS65721RSNT) to order quantities of 250 parts per reel.

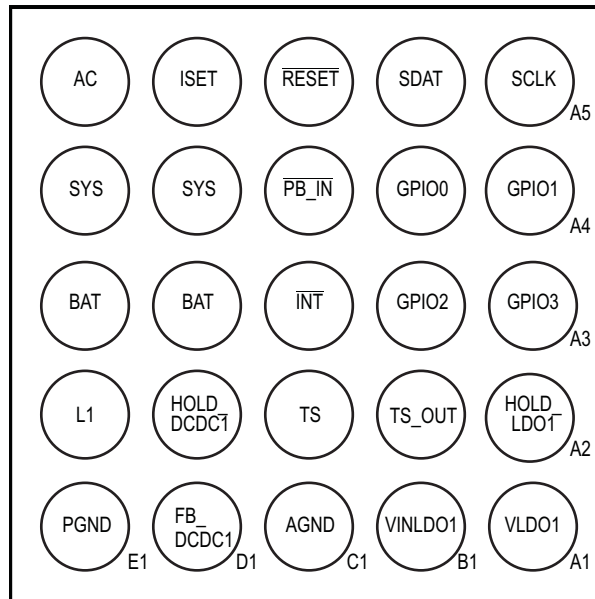
## 6 Pin Configuration and Functions

**YFF Package  
25-Pin DSBGA  
Bottom View**

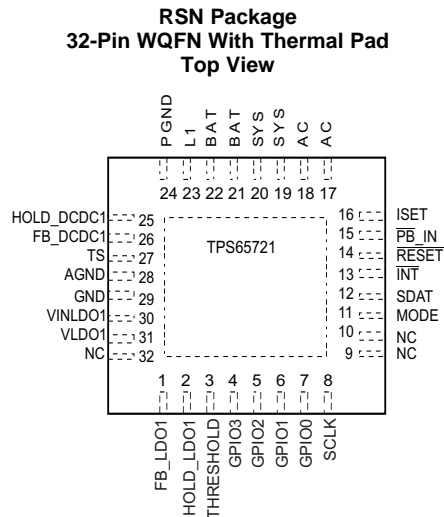


**Pin Functions—DSBGA (TPS65720)**

PIN		I/O	DESCRIPTION
NO.	NAME		
A1	VLD01	O	Output voltage of LDO1
A2	HOLD_LDO1	I	Power-on input for LDO1. When pulled HIGH, LDO1 is kept enabled after $\overline{\text{PB\_IN}}$ was released HIGH.
A3	GPIO3	I/O	General purpose I/O or 5-mA current sink
A4	GPIO1	I/O	General purpose I/O
A5	SCLK	I	Clock input for the I <sup>2</sup> C interface
B1	VINLDO1	I	Input voltage for LDO1
B2	GND	—	Connect to AGND and PGND
B3	GPIO2	I/O	General purpose I/O or 5-mA current sink
B4	GPIO0	I/O	General purpose I/O
B5	SDAT	I/O	Data line for the I <sup>2</sup> C interface
C1	AGND	—	Analog ground
C2	TS	I	Connect a thermistor from this pin to GND for battery temperature
C3	$\overline{\text{INT}}$	O	Open-drain interrupt output
C4	$\overline{\text{PB\_IN}}$	I	Push button input; Turns on DCDC1 and LDO1 if pulled to GND.
C5	$\overline{\text{RESET}}$	O	Open-drain output of the reset generator; This output goes active LOW when the output voltage of LDO1 falls 8% below its target voltage.
D1	FB_DCDC1	I	Feedback input of step-down converter
D2	HOLD_DCDC1	I	Power-On input for DCDC1 converter. When pulled HIGH, the DC-DC converter is kept enabled after $\overline{\text{PB\_IN}}$ was released HIGH.
D3	BAT	I/O	Connect to battery + terminal
D4	SYS	O	System voltage; output of the power path manager. Power input for step-down converter DCDC1
D5	ISET	I	Connect a resistor from this pin to GND to set fast charge current
E1	PGND	—	Power ground
E2	L1	O	Switch output of step-down converter
E3	BAT	I/O	Connect to battery + terminal
E4	SYS	O	System voltage; output of the power path manager. Power input for step-down converter DCDC1
E5	AC	I	Input power for power manager, connect to external DC supply.

**YFF Package  
25-Pin DSBGA  
Bottom View**

**Pin Functions—DSBGA (TPS657201, TPS657202)**

PIN		I/O	DESCRIPTION
NO.	NAME		
A1	VLDO1	O	Output voltage of LDO1
A2	HOLD_LDO1	I	Power-on input for LDO1. When pulled HIGH, LDO1 is kept enabled after $\overline{\text{PB\_IN}}$ was released HIGH.
A3	GPIO3	I/O	General purpose I/O or 5-mA current sink
A4	GPIO1	I/O	General purpose I/O
A5	SCLK	I	Clock input for the I <sup>2</sup> C interface
B1	VINLDO1	I	Input voltage for LDO1
B2	VBAT/TS_OUT	O	Output of battery temperature and battery voltage monitor
B3	GPIO2	I/O	General purpose I/O or 5-mA current sink
B4	GPIO0	I/O	General purpose I/O
B5	SDAT	I/O	Data line for the I <sup>2</sup> C interface
C1	AGND	—	Analog ground
C2	TS	I	Connect a thermistor from this pin to GND for battery temperature
C3	$\overline{\text{INT}}$	O	Open-drain interrupt output
C4	$\overline{\text{PB\_IN}}$	I	Push button input; Turns on DCDC1 and LDO1 if pulled to GND.
C5	$\overline{\text{RESET}}$	O	Open-drain output of the reset generator; This output goes active LOW when the output voltage of LDO1 falls 8% below its target voltage.
D1	FB_DCDC1	I	Feedback input of step-down converter
D2	HOLD_DCDC1	I	Power-on input for DCDC1 converter. When pulled HIGH, the DC-DC converter is kept enabled after $\overline{\text{PB\_IN}}$ was released HIGH.
D3	BAT	I/O	Connect to battery + terminal
D4	SYS	O	System voltage; output of the power path manager. Power input for step-down converter DCDC1
D5	ISET	I	Connect a resistor from this pin to GND to set fast charge current
E1	PGND	—	Power ground
E2	L1	O	Switch output of step-down converter
E3	BAT	I/O	Connect to battery + terminal
E4	SYS	O	System voltage; output of the power path manager. Power input for step-down converter DCDC1
E5	AC	I	Input power for power manager, connect to external DC supply.


**Pin Functions—WQFN (TPS65721)**

PIN		I/O	DESCRIPTION
NAME	NO.		
AC	17, 18	I	Input power for power manager, connect to external DC supply.
AGND	28	—	Analog ground
BAT	21, 22	I/O	Connect to battery + terminal
FB_DCDC1	26	I	Feedback input of step-down converter
FB_LDO1	1	I	Feedback input for LDO1
GND	29	—	Connect to AGND and PGND
GPIO0	7	I/O	General purpose I/O
GPIO1	6	I/O	General purpose I/O
GPIO2	5	I/O	General purpose I/O or 5-mA current source
GPIO3	4	I/O	General purpose I/O or 5-mA current source
HOLD_DCDC1	25	I	Power-on input for DCDC1 converter. When pulled HIGH, the DC-DC converter is kept enabled after $\overline{\text{PB\_IN}}$ was released HIGH.
HOLD_LDO1	2	I	Power-on input for LDO1. When pulled HIGH, LDO1 is kept enabled after $\overline{\text{PB\_IN}}$ was released HIGH.
$\overline{\text{INT}}$	13	O	Open-drain interrupt output
ISET	16	I	Connect a resistor from this pin to GND to set fast charge current
L1	23	O	Switch output of step-down converter
MODE	11	I	Pull HIGH to force the DCDC1 converter to PWM mode.
$\overline{\text{PB\_IN}}$	15	I	Push button input; Turns on DCDC1 and LDO1 if pulled to GND.
PGND	24	—	Power ground
$\overline{\text{RESET}}$	14	O	Open-drain output of the reset generator; This output goes active LOW when the input voltage at pin THRESHOLD falls below the threshold voltage.
SCLK	8	I	Clock input for the I <sup>2</sup> C interface
SDAT	12	I/O	Data line for the I <sup>2</sup> C interface
SYS	19, 20	O	System voltage; output of the power path manager. Power input for step-down converter DCDC1
THRESHOLD	3	I	Input voltage to the reset comparator. When the input voltage falls below the threshold, the $\overline{\text{RESET}}$ output is actively pulled LOW.
TS	27	I	Connect a thermistor from this pin to GND for battery temperature
VINLDO1	30	I	Input voltage for LDO1
VLDO1	31	O	Output voltage from LDO1
ThermalPad	—	—	Connect to GND

## 7 Specifications

### 7.1 Absolute Maximum Ratings

over operating free-air temperature range (unless otherwise noted)<sup>(1)</sup>

		MIN	MAX	UNIT
Input voltage	All pins except A/PGND, AC, GPIOx pins with respect to AGND	-0.3	7	V
	GPIOx pins with respect to AGND	-0.3	VSYS	V
	AC pin with respect to AGND	-0.3	28	V
Voltage range on pin VLDO1, FB_LDO1, TS_OUT, TS with respect to AGND		-0.3	3.6	V
Current	AC, BAT, SYS, L1, VLDO1, VINLDO1, PGND		600	mA
	GPIOx, AGND		20	mA
	All other pins		3	mA
Continuous total power dissipation		See <a href="#">Dissipation Ratings</a>		
Operating free-air temperature, T <sub>A</sub>		-40	85	°C
Maximum junction temperature, T <sub>J</sub>			125	°C
Storage temperature, T <sub>stg</sub>		-65	150	°C

(1) Stresses beyond those listed under *Absolute Maximum Ratings* may cause permanent damage to the device. These are stress ratings only and functional operation of the device at these or any other conditions beyond those indicated under *Recommended Operating Conditions* is not implied. Exposure to absolute-maximum-rated conditions for extended periods may affect device reliability.

### 7.2 ESD Ratings

		VALUE	UNIT
V <sub>(ESD)</sub> Electrostatic discharge	Human body model (HBM), per ANSI/ESDA/JEDEC JS-001, all pins <sup>(1)</sup>	±2000	V
	Charged device model (CDM), per JEDEC specification JESD22-C101, all pins <sup>(2)</sup>	±500	

(1) JEDEC document JEP155 states that 500-V HBM allows safe manufacturing with a standard ESD control process.

(2) JEDEC document JEP157 states that 250-V CDM allows safe manufacturing with a standard ESD control process.

### 7.3 Recommended Operating Conditions

		MIN	NOM	MAX	UNIT
V <sub>AC</sub>	Input voltage at AC pin	4.35		28	V
V <sub>SYS</sub>	Voltage at SYS pin	2.2		5.6	V
I <sub>INUSB</sub>	Input current at AC			500	mA
I <sub>OUTSYS</sub>	Output current at SYS			400	mA
I <sub>BAT</sub>	Average current into and out of BAT pin			300	mA
V <sub>INDCDC1</sub>	Input voltage for step-down converter DCDC1	2.3		5.6	V
V <sub>DCDC1</sub>	Output voltage for DCDC1 step-down converter; externally adjustable	0.6		V <sub>INDCDC1</sub>	V
I <sub>OUTDCDC1</sub>	Output current at L			400	mA
L	Inductor at L <sup>(1)</sup>	2.2	3.3	4.7	μH
V <sub>INLDO1</sub>	Input voltage for LDO1	1.8		VSYS	V
V <sub>LDO1</sub>	Output voltage for LDO1	0.8		3.3	V
I <sub>LDO1</sub>	Output current at LDO1			200	mA
C <sub>INAC</sub>	Input capacitor at AC <sup>(1)</sup>	0.1		1	μF
C <sub>BAT</sub>	Capacitor at BAT <sup>(1)</sup>	0.1		4.7	μF
C <sub>SYS</sub>	Capacitor at SYS <sup>(1)</sup>	4.7		10	μF
C <sub>INDCDC1</sub>	Input capacitor at V <sub>INDCDC1</sub> <sup>(1)</sup> ; if connected to SYS, only one 4.7-μF capacitor required for SYS and C <sub>INDCDC1</sub>	4.7			μF
C <sub>OUTDCDC1</sub>	Output capacitor at V <sub>DCDC1</sub> <sup>(1)</sup>	4.7	10	22	μF
C <sub>INLDO1</sub>	Input capacitor at VINLDO1 <sup>(1)</sup>	2.2			μF
C <sub>OUTLDO1</sub>	Output capacitor at LDO1 <sup>(1)</sup>	2.2			μF

(1) See [Application and Implementation](#) for more details.

## Recommended Operating Conditions (continued)

		MIN	NOM	MAX	UNIT
R <sub>ISET</sub>	Minimum R <sub>ISET</sub> value for proper operation; lower values may trigger the short circuit protection on ISET	700			Ω
T <sub>A</sub>	Operating ambient temperature	-40		85	°C
T <sub>J</sub>	Operating junction temperature	-40		125	°C

## 7.4 Thermal Information

THERMAL METRIC <sup>(1)</sup>		TPS65720	TPS65721	UNIT
		YFF (DSBGA)	RSN (WQFN)	
		25 PINS	32 PINS	
R <sub>θJA</sub>	Junction-to-ambient thermal resistance	60.9	37.8	°C/W
R <sub>θJC(top)</sub>	Junction-to-case (top) thermal resistance	0.4	28.2	°C/W
R <sub>θJB</sub>	Junction-to-board thermal resistance	11.3	8.6	°C/W
ψ <sub>JT</sub>	Junction-to-top characterization parameter	1.4	0.3	°C/W
ψ <sub>JB</sub>	Junction-to-board characterization parameter	11.3	8.5	°C/W
R <sub>θJC(bot)</sub>	Junction-to-case (bottom) thermal resistance	n/a	2.6	°C/W

(1) For more information about traditional and new thermal metrics, see the [Semiconductor and IC Package Thermal Metrics application report](#).

## 7.5 Electrical Characteristics

V<sub>SYS</sub> = 3.6 V, V<sub>DCDC1</sub> = 2.05 V, PFM mode, L = 3.3 μH, C<sub>OUTDCDC1</sub> = 4.7 μF, V<sub>INLDO1</sub> = 2.05 V, V<sub>LDO1</sub> = 1.85 V, T<sub>A</sub> = -40°C to 85°C typical values apply in a temperature range of 10°C to 35°C (unless otherwise noted)

PARAMETER	TEST CONDITIONS	MIN	TYP	MAX	UNIT		
<b>SUPPLY CURRENT</b>							
I <sub>Q</sub>	Operating quiescent current when only DCDC1 converter is enabled	DCDC1 enabled, I <sub>OUT</sub> = 0 mA. PFM mode enabled; device not switching	36	45	μA		
		DCDC1 enabled, I <sub>OUT</sub> = 0 mA. PWM mode	2.8		mA		
I <sub>Q</sub>	Operating quiescent current when LDO1 and DCDC1 are enabled	Current into BAT pin (PFM mode)	33	50	μA		
		Current into VINLDO1	13	18	μA		
I <sub>SD</sub>	Shutdown current after voltage was applied to BAT but device never enabled before (shipping mode)	For VINLDO1 = 0 V (LDO1 supplied by DCDC1); powered by VBAT = 3.6 V	4	13	μA		
	Shutdown current after first power-up	For VINLDO1 = 0 V (LDO1 supplied by DCDC1); powered by VBAT = 3.6 V	12	17	μA		
	Shutdown current after first power-up	For VINLDO1 ≠ 0 V (LDO1 supplied by SYS); powered by VBAT = 3.6 V	12	18	μA		
<b>SDAT, SCLK, PB_IN, HOLD, GPIO0 to GPIO3, INT, RESET, THRESHOLD</b>							
V <sub>IH</sub>	High-level input voltage for SCLK, SDAT, GPIOx, HOLD_DCDC1, HOLD_LDO1, PB_IN	GPIOs configured as input		V <sub>SYS</sub>	V		
V <sub>IL</sub>	Low-level input voltage for SCLK, SDAT, GPIOx, HOLD_DCDC1, HOLD_LDO1, PB_IN	GPIOs configured as input		0.4	V		
V <sub>OL</sub>	Low-level output voltage for SDAT, GPIOx, INT, RESET	GPIOs configured as output; I <sub>o</sub> = 1 mA; no internal pull-up		0.4	V		
I <sub>OL</sub>	Sink current for GPIO2, GPIO3	GPIO2, GPIO3 configured as current sink; V <sub>OL</sub> = 0.4 V; for T <sub>J</sub> = 0°C to 85°C	-20%	5	20%	mA	
		GPIOx configured as open-drain output; output = LOW			3	mA	
V <sub>OL</sub>	Minimum voltage for proper current regulation from GPIO2 or GPIO3 to GND if programmed as a current sink	I <sub>o</sub> = 5 mA; current sink turned on		0.4	V		
V <sub>RESET-falling</sub>	LDO1 out of regulation reset voltage	Falling edge; $\overline{\text{RESET}}$ is asserted LOW for TPS65720, TPS657201, TPS657202		V <sub>LDO1</sub> , nom-13%	V <sub>LDO1</sub> , nom-7%	V	
V <sub>RESET-rising</sub>		Rising edge; $\overline{\text{RESET}}$ is released HIGH for TPS65720, TPS657201, TPS657202 after T <sub>RESET</sub>		V <sub>LDO1</sub> , nom-4%		V	
V <sub>THRESHOLD_down</sub>	Threshold voltage for reset input	Falling voltage; WQFN package only		-3%	570	3%	mV
V <sub>THRESHOLD_hys</sub>	Hysteresis on THRESHOLD	Rising voltage; WQFN package only		30			mV
I <sub>LKG</sub>	Input leakage current	PB_IN, SDAT, SCLK, GPIOx configured as output, INT, RESET, output high impedance		0.2			μA



## Electrical Characteristics (continued)

$V_{SYS} = 3.6\text{ V}$ ,  $V_{DCDC1} = 2.05\text{ V}$ , PFM mode,  $L = 3.3\text{ }\mu\text{H}$ ,  $C_{OUTDCDC1} = 4.7\text{ }\mu\text{F}$ ,  $V_{INLDO1} = 2.05\text{ V}$ ,  $V_{LDO1} = 1.85\text{ V}$ ,  $T_A = -40^\circ\text{C}$  to  $85^\circ\text{C}$  typical values apply in a temperature range of  $10^\circ\text{C}$  to  $35^\circ\text{C}$  (unless otherwise noted)

PARAMETER		TEST CONDITIONS	MIN	TYP	MAX	UNIT
<b>STEP-DOWN CONVERTER</b>						
$V_{SYS}$	Input voltage for DCDC1		2.3		5.6	V
UVLO	Internal undervoltage lockout threshold hysteresis	$V_{SYS}$ falling	2.15	2.2	2.25	V
		$V_{SYS}$ rising		120		mV
<b>POWER SWITCH</b>						
$R_{DS(ON)}$	High-side MOSFET ON-resistance	$V_{SYS} = V_{INDCDC1} = 3.6\text{ V}$ , YFF package		350	600	m $\Omega$
		$V_{SYS} = V_{INDCDC1} = 3.6\text{ V}$ , RSN package		400	650	
$I_{LK,HS}$	High-side MOSFET leakage current	$V_{DS} = 5.6\text{ V}$			1	$\mu\text{A}$
$R_{DS(ON)}$	Low-side MOSFET ON-resistance	$V_{INDCDC1/2} = 3.6\text{ V}$ , YFF package		300	500	m $\Omega$
		$V_{INDCDC1/2} = 3.6\text{ V}$ , RSN package		350	550	m $\Omega$
$I_{LK,LS}$	Low-side MOSFET leakage current	$V_{DS} = 5.6\text{ V}$			1	$\mu\text{A}$
$I_{LIMF}$	Forward current limit high-side and low-side MOSFET	$2.3\text{ V} \leq V_{IN} \leq 5.6\text{ V}$ , TPS65720	425	600	775	mA
		$2.3\text{ V} \leq V_{IN} \leq 5.6\text{ V}$ , TPS65721, TPS657201, TPS657202	625	850	1150	mA
$I_O$	DC output current	$V_{SYS} > 2.7\text{ V}$ ; TPS65720			200	mA
		$V_{SYS} > 2.7\text{ V}$ ; TPS65721, TPS657201, TPS657202			400	
<b>OUTPUT</b>						
$V_{OUT}$	Output voltage range		0.6		$V_{in}$	V
$V_{FB}$	Feedback voltage	for TPS65720, TPS65721		0.6		V
$V_{OUT}$	Default output voltage for TPS657201			1.85		V
$V_{OUT}$	Default output voltage for TPS657202			1.90		V
$I_{FB}$	FB pin input current for externally adjustable version	External resistor-divider			0.1	$\mu\text{A}$
$I_{FB}$	FB pin input current for TPS657201, TPS657202	Internal resistor-divider			5	$\mu\text{A}$
$V_{OUT}$	DC output voltage accuracy <sup>(1)</sup>	$V_{IN} = 2.3\text{ V}$ to $5.6\text{ V}$ ; PFM operation, $0\text{ mA} < I_{OUT} < I_{OUTMAX}$		1%	3%	
		$V_{IN} = 2.3\text{ V}$ to $5.6\text{ V}$ ; PWM operation, $0\text{ mA} < I_{OUT} < I_{OUTMAX}$	-2%		2%	
	DC output voltage load regulation	PWM operation		0.5		%/A
$V_{PGOOD-falling}$	PGOOD threshold at falling output voltage	<PGOOD_DCDC1> is set to 1	VDCDC1, nom-14%		VDCDC1, nom-7%	V
$V_{PGOOD-rising}$	PGOOD threshold at rising output voltage	<PGOOD_DCDC1> is set to 0		VDCDC1, nom-5%		V
$R_{DIS}$	Internal discharge resistor at L	DCDC1 disabled; the discharge function can be disabled as an EEPROM option	300	400		$\Omega$
<b>THERMAL PROTECTION FOR DCDC1 AND LDO1</b>						
$T_{SD}$	Thermal shutdown	Increasing junction temperature		150		$^\circ\text{C}$
	Thermal shutdown hysteresis	Decreasing junction temperature		30		$^\circ\text{C}$

(1) Output voltage specification does not include tolerance of external voltage programming resistors.

**Electrical Characteristics (continued)**

$V_{SYS} = 3.6\text{ V}$ ,  $V_{DCDC1} = 2.05\text{ V}$ , PFM mode,  $L = 3.3\text{ }\mu\text{H}$ ,  $C_{OUTDCDC1} = 4.7\text{ }\mu\text{F}$ ,  $V_{INLDO1} = 2.05\text{ V}$ ,  $V_{LDO1} = 1.85\text{ V}$ ,  $T_A = -40^\circ\text{C}$  to  $85^\circ\text{C}$  typical values apply in a temperature range of  $10^\circ\text{C}$  to  $35^\circ\text{C}$  (unless otherwise noted)

PARAMETER	TEST CONDITIONS	MIN	TYP	MAX	UNIT
<b>VLDO1 LOW DROPOUT REGULATOR</b>					
$V_{INLDO}$	Input voltage range for LDO1	1.8		5.6	V
$V_{LDO1}$	LDO1 output voltage range	0.8		3.3	V
$V_{LDO1}$	LDO1 output voltage		1.85		V
$V_{LDO1}$	LDO1 output voltage		2.85		V
$V_{FB\_LDO1}$	Feedback voltage		0.8		V
$I_{FB\_LDO1}$	FB pin input current			0.1	$\mu\text{A}$
$I_O$	Output current for LDO1			200	mA
$I_{SC}$	LDO1 short circuit current limit	$V_{LDO1} = \text{GND}$ ; $V_{INLDO1} = 2.05\text{ V}$	350	500	mA
	Dropout voltage at LDO1, YFF package	$I_O = 200\text{ mA}$ , $V_{INLDO} = 2.05\text{ V}$		180	mV
	Dropout voltage at LDO1, RSN package	$I_O = 200\text{ mA}$ , $V_{INLDO} = 2.05\text{ V}$	120		mV
	Output voltage accuracy for LDO1	$I_O = 200\text{ mA}$	-1.5%	2.5%	
	Line regulation for LDO1	$V_{INLDO1} = V_{LDO1} + 0.5\text{ V}$ (min. 1.8 V) to 5.6 V (VSYS), $I_O = 50\text{ mA}$	-1%	1%	
	Load regulation for LDO1	$I_O = 0\text{ mA}$ to 200 mA for LDO1	-1%	2%	
$R_{DIS}$	Internal discharge resistor at VLDO1	LDO disabled, discharge function per default disabled in register	250	400	$\Omega$
<b>BATTERY VOLTAGE AND BATTERY TEMPERATURE MONITOR WITH MULTIPLEXER; INTERNAL BATTERY VOLTAGE COMPARATOR</b>					
$V_{TS}$	Input voltage range on TS pin for full scale output on pin TS_OUT (0 V to 1.4 V)	Equals $-20^\circ\text{C}$ to $60^\circ\text{C}$ on a 10k NTC		1.4	V
$V_{BAT}$	Input voltage range on BAT pin for full scale output on pin TS_OUT (0 V to 1.4 V)			4.5	V
$V_{TS\_OUT}$	Output voltage range on pin TS_OUT	$I_{TS\_OUT} = 0\text{ mA}$	0	1.4	V
		$0 < I_{TS\_OUT} < 0.05\text{ mA}$	0.06	1.4	
	Offset error on pin TS_OUT	In temperature-sense mode; $V_O$ with $V_{bat} = 2.2\text{ V}$		$\pm 7.5$	mV
SR	Slew rate	$V_{TS\_OUT}$ ; 0 V to 1.4 V		1	V/ms
$I_{TS\_OUT\_SC}$	Short circuit current			0.1	mA
	Load capacitance	Maximum capacitance at TS_OUT		100	pF
	Battery voltage comparator threshold voltage	Depending on Bits <VBAT0>, <VBAT1>; falling voltage		-3%	3%
	Battery voltage comparator threshold voltage hysteresis	Rising voltage		200	mV
<b>ACCURACY</b>					
<b>VBAT MODE</b>					
	Offset	$T_J = 10^\circ\text{C}$ to $35^\circ\text{C}$ ; for $V(TS) \geq 0.2\text{ V}$		-22	22
	Gain error	$T_J = 10^\circ\text{C}$ to $35^\circ\text{C}$ ; for $V(TS) \geq 0.2\text{ V}$		-11	11
	Offset	$T_J = -40^\circ\text{C}$ to $85^\circ\text{C}$ ; for $V(TS) \geq 0.2\text{ V}$		-30	30
	Gain error	$T_J = -40^\circ\text{C}$ to $85^\circ\text{C}$ ; for $V(TS) \geq 0.2\text{ V}$		-14	14
<b>TS MODE</b>					
	Internal TS resistor (for 10k NTC, B=3380)	$T_J = 25^\circ\text{C}$		-1.5%	29.23
	Internal TS resistor (for 100k NTC)	$T_J = 25^\circ\text{C}$		-1.5%	292.3
	Internal TS resistor temperature drift	$T_J = -40^\circ\text{C}$ to $85^\circ\text{C}$		-4.5%	
	Internal V2V0 reference voltage	$T_J = -40^\circ\text{C}$ to $85^\circ\text{C}$		-1.2%	2

## Electrical Characteristics (continued)

$V_{SYS} = 3.6\text{ V}$ ,  $V_{DCDC1} = 2.05\text{ V}$ , PFM mode,  $L = 3.3\text{ }\mu\text{H}$ ,  $C_{OUTDCDC1} = 4.7\text{ }\mu\text{F}$ ,  $V_{INLDO1} = 2.05\text{ V}$ ,  $V_{LDO1} = 1.85\text{ V}$ ,  $T_A = -40^\circ\text{C}$  to  $85^\circ\text{C}$  typical values apply in a temperature range of  $10^\circ\text{C}$  to  $35^\circ\text{C}$  (unless otherwise noted)

PARAMETER		TEST CONDITIONS	MIN	TYP	MAX	UNIT
<b>POWER PATH</b>						
$V_{UVLO}$	Undervoltage lockout	$V_{AC}: 0\text{ V} \rightarrow 4\text{ V}$	3.2	3.3	3.45	V
$V_{HYS-UVLO}$	Hysteresis on UVLO	$V_{AC}: 4\text{ V} \rightarrow 0\text{ V}$	200		300	mV
$V_{IN-DT}$	Input power detection threshold	(Input power detected if $V_{IN} > V_{BAT} + V_{IN-DT}$ ) $V_{BAT} = 3.6\text{ V}$ , $V_{IN}: 3.5\text{ V} \rightarrow 4\text{ V}$	40	80	140	mV
$V_{HYS-INDT}$	Hysteresis on VIN-DT	$V_{BAT} = 3.6\text{ V}$ , $V_{IN}: 4\text{ V} \rightarrow 3.5\text{ V}$	20			mV
$V_{OVP}$	Input overvoltage protection threshold	$V_{AC}: 5\text{ V} \rightarrow 7\text{ V}$	6.4	6.6	6.8	V
$V_{HYS-OVP}$	Hysteresis on OVP	$V_{AC}: 11\text{ V} \rightarrow 5\text{ V}$		105		mV
$V_{DO(AC-SYS)}$	AC pin to SYS pin dropout voltage $V_{AC} - V_{SYS}$	$I_{SYS} = 0.3\text{ A}$ , $V_{AC} = 4.35\text{ V}$ , $V_{BAT} = 4.2\text{ V}$ ; YFF package		170	285	mV
		$I_{SYS} = 0.3\text{ A}$ , $V_{AC} = 4.35\text{ V}$ , $V_{BAT} = 4.2\text{ V}$ ; RSN package		210	325	mV
$V_{DO(BAT-SYS)}$	Battery to SYS pin dropout voltage $V_{BAT} - V_{SYS}$	$I_{SYS} = 0.2\text{ A}$ , $V_{AC} = 0\text{ V}$ , $V_{BAT} > 3\text{ V}$ ; YFF package			80	mV
		$I_{SYS} = 0.2\text{ A}$ , $V_{AC} = 0\text{ V}$ , $V_{BAT} > 3\text{ V}$ ; RSN package			120	mV
$V_{SYS(REG)}$	SYS pin voltage regulation selectable register <CHGCONFIG0> Bits <VSYS1>; <VSYS0>	00: $V_{AC} > V_{SYS} + V_{DO(AC-SYS)}$ , $V_{BAT} < 3.3\text{ V}$	-5%	3.4	5%	V
		00: $V_{AC} > V_{SYS} + V_{DO(AC-SYS)}$ , $V_{BAT} \geq 3.3\text{ V}$	-5%	$V_{BAT} + 200\text{ mV}$	5%	
		01: $V_{AC} > V_{SYS} + V_{DO(AC-SYS)}$	-5%	4.4	5%	
		10: $V_{AC} > V_{SYS} + V_{DO(AC-SYS)}$	-5%	5.0	5%	
		11: $V_{AC} > V_{SYS} + V_{DO(AC-SYS)}$	-5%	5.5	5%	
$I_{AC-MAX}$	Maximum Input Current Register <CHCONFIG0>	Bit <AC input current1, AC input current0> = 00	90	95	100	mA
		Bit <AC input current1, AC input current0> = 01 or 10	450	475	500	
$V_{AC-LOW}$	Input voltage threshold when input current is reduced	Input current is reduced if voltage at AC falls below $V_{AC-LOW}$ to keep the AC voltage above 4.5 V	4.35	4.5	4.65	V
$V_{DPM}$	Output voltage threshold when charging current is reduced	Bit <V_DPPM> = 1		$V_{O(REG)} - 100\text{ mV}$		V
	Register <CHCONFIG2>	Bit <V_DPPM> = 0		4.3		
$V_{BSUP1}$	Enter battery supplement mode			$V_{OUT} \leq V_{BAT} - 40\text{ mV}$		V
$V_{BSUP2}$	Exit battery supplement mode			$V_{OUT} \geq V_{BAT} - 20\text{ mV}$		V
$V_{O(SC1)}$	Output short-circuit detection threshold, power-on		0.8	0.9	1	V
$V_{O(SC2)}$	Output short-circuit detection threshold, supplement mode $V_{BAT} - V_{OUT} > V_{O(SC2)}$ indicates short-circuit		200	250	300	mV
<b>BATTERY CHARGER</b>						
<b>QUIESCENT CURRENT</b>						
$I_{IAC(STDBY)}$	Standby current into AC pin	$V_{IN} = 5\text{ V}$ ; ACinputcurrent[1,0] = 11		60	80	$\mu\text{A}$
		$V_{IN} = 28\text{ V}$ ; ACinputcurrent[1,0] = 11			530	$\mu\text{A}$
$I_{CC}$	Active supply current, AC pin	$V_{IN} = 5\text{ V}$ , no load on DCDC1, LDO1, SYS pin, VSYS[1,0] = 11; ACinputcurrent[1,0] = 10; CH_EN = 0			2	mA
$I_{BAT(SC)}$	Source current for BAT pin short-circuit detection		4	7.5	11	mA
$V_{BAT(SC)}$	BAT pin short-circuit detection threshold		1.6	1.8	2.0	V
$V_{O(BATREG)}$	Battery charger voltage	Depending on setting in CHGCONFIG3 And internal EEPROM Default = 4.2 V	-1%	4.15	1%	V
			-1%	4.175	1%	
			-1%	4.20	1%	
			-1%	4.225	1%	
			-1%	4.25	1%	
			-1%	4.275	1%	
			-1%	4.30	1%	
			-1%	4.325	1%	
$V_{LOWV}$	Precharge to fast-charge transition threshold		2.9	3.0	3.1	V

**Electrical Characteristics (continued)**
 $V_{SYS} = 3.6\text{ V}$ ,  $V_{DCDC1} = 2.05\text{ V}$ , PFM mode,  $L = 3.3\text{ }\mu\text{H}$ ,  $C_{OUTDCDC1} = 4.7\text{ }\mu\text{F}$ ,  $V_{INLDO1} = 2.05\text{ V}$ ,  $V_{LDO1} = 1.85\text{ V}$ ,  $T_A = -40^\circ\text{C}$  to  $85^\circ\text{C}$  typical values apply in a temperature range of  $10^\circ\text{C}$  to  $35^\circ\text{C}$  (unless otherwise noted)

PARAMETER		TEST CONDITIONS	MIN	TYP	MAX	UNIT
<b>QUIESCENT CURRENT (continued)</b>						
$I_{CHG}$	Maximum battery fast charge current	$V_{BAT(REG)} > V_{BAT} > V_{LOWV}$ , $V_{IN} = V_{AC}$ or $V_{USB} = 5\text{ V}$	300			mA
	Minimum battery fast charge current				10	mA
	Battery fast charge current set factor	$V_{BAT} > V_{LOWV}$ , $V_{IN} = 5\text{ V}$ , $I_{IN-MAX} > I_{CHG}$ , No load on SYS pin, thermal loop not active, DPPM loop not active	$K_{ISET} / R_{ISET}$			A
$K_{ISET}$	Fast charge current factor	at 300 mA for ICH_SCL[1,0] = 11 (charge current scaling is 100% of ISET value)	-15%	450	15%	AΩ
		at 40 mA for ICH_SCL[1,0] = 11 (charge current scaling is 100% of ISET value)	-20%	450	20%	
		at 225 mA range for ICH_SCL[1,0] = 10 (charge current scaling is 75% of ISET value)	-15%	338	15%	
		at 30 mA for ICH_SCL[1,0] = 10 (charge current scaling is 75% of ISET value)	-20%	338	20%	
		at 150 mA for ICH_SCL[1,0] = 01 (charge current scaling is 50% of ISET value)	-10%	225	10%	
		at 20 mA for ICH_SCL[1,0] = 01 (charge current scaling is 50% of ISET value)	-15%	225	15%	
		at 75 mA for ICH_SCL[1,0] = 00 (charge current scaling is 25% of ISET value)	-10%	112	10%	
		at 10 mA for ICH_SCL[1,0] = 00 (charge current scaling is 25% of ISET value)	-20%	112	20%	
$I_{PRECHG}$	Precharge current	for I_PRE[1,0] = 11 (pre-charge current scaling is 20% of charge current)	$0.15 \times I_{CHG}$	$0.2 \times I_{CHG}$	$0.25 \times I_{CHG}$	
		for I_PRE[1,0] = 10 (pre-charge current scaling is 15% of charge current)	$0.11 \times I_{CHG}$	$0.15 \times I_{CHG}$	$0.19 \times I_{CHG}$	
		for I_PRE[1,0] = 01 (pre-charge current scaling is 10% of charge current)	$0.07 \times I_{CHG}$	$0.1 \times I_{CHG}$	$0.13 \times I_{CHG}$	
		for I_PRE[1,0] = 00 (pre-charge current scaling is 5% of charge current)	$0.03 \times I_{CHG}$	$0.05 \times I_{CHG}$	$0.08 \times I_{CHG}$	
$I_{TERM}$	Charge current value for termination detection threshold (internally set)	for I_TERM[1,0] = 11 (termination current is 20% of charge current)	$0.15 \times I_{CHG}$	$0.2 \times I_{CHG}$	$0.27 \times I_{CHG}$	
		for I_TERM[1,0] = 10 (termination current is 15% of charge current)	$0.11 \times I_{CHG}$	$0.15 \times I_{CHG}$	$0.21 \times I_{CHG}$	
		for I_TERM[1,0] = 01 (termination current is 10% of charge current)	$0.07 \times I_{CHG}$	$0.1 \times I_{CHG}$	$0.15 \times I_{CHG}$	
		for I_TERM[1,0] = 00 (termination current is 5% of charge current)	$0.03 \times I_{CHG}$	$0.05 \times I_{CHG}$	$0.08 \times I_{CHG}$	
$V_{RCH}$	Recharge detection threshold	Voltage below nominal charger voltage	165	100	60	mV
$I_{BAT(DET)}$	Sink current for battery detection		5	7.5	10	mA
$T_{CHG}$	Charge safety timer	Safety timer range selectable by I <sup>2</sup> C; default setting without DPPM or thermal loop active	-35%	5	35%	h
$T_{PRECHG}$	Pre-charge timer	Pre-charge timer range; default setting	-35%	30	35%	min

**Electrical Characteristics (continued)**
 $V_{SYS} = 3.6\text{ V}$ ,  $V_{DCDC1} = 2.05\text{ V}$ , PFM mode,  $L = 3.3\text{ }\mu\text{H}$ ,  $C_{OUTDCDC1} = 4.7\text{ }\mu\text{F}$ ,  $V_{INLDO1} = 2.05\text{ V}$ ,  $V_{LDO1} = 1.85\text{ V}$ ,  $T_A = -40^\circ\text{C}$  to  $85^\circ\text{C}$  typical values apply in a temperature range of  $10^\circ\text{C}$  to  $35^\circ\text{C}$  (unless otherwise noted)

PARAMETER		TEST CONDITIONS	MIN	TYP	MAX	UNIT
<b>BATTERY-PACK NTC MONITOR</b>						
RNTC <sub>HOT</sub>	Thermistor high temperature detection resistance (equals 45°C for 10-kΩ NTC; B = 3380)	Hot temperature detected and charging suspended when the resistance of the battery-NTC is lower than RNTC <sub>HOT</sub>	4.3	5	5.7	kΩ
	Thermistor high temperature detection resistance (equals 50°C for 10-kΩ NTC; B = 3380)		3.5	4.1	4.8	kΩ
	Thermistor high temperature detection resistance (equals 55°C for 10-kΩ NTC; B = 3380)		2.9	3.5	4.2	kΩ
	Thermistor high temperature detection resistance (equals 60°C for 10-kΩ NTC; B = 3380)		2.4	3	3.5	kΩ
	Thermistor high temperature detection resistance (equals 45°C for 100-kΩ NTC)		43	50	57	kΩ
	Thermistor high temperature detection resistance (equals 50°C for 100-kΩ NTC)		35	41	48	kΩ
	Thermistor high temperature detection resistance (equals 55°C for 100-kΩ NTC)		29	35	42	kΩ
	Thermistor high temperature detection resistance (equals 60°C for 100-kΩ NTC)		24	30	35	kΩ
RNTC <sub>COLD</sub>	Thermistor low temperature detection resistance (equals 0°C for 10-kΩ NTC; B = 3380)	Cold temperature detected and charging suspended when the resistance of the battery-NTC is higher than RNTC <sub>COLD</sub>	25	27	30	kΩ
	Thermistor low temperature detection resistance (equals 5°C for 10-kΩ NTC; B = 3380)		20	22	24	kΩ
	Thermistor low temperature detection resistance (equals 10°C for 10-kΩ NTC; B = 3380)		16	18	20	kΩ
	Thermistor low temperature detection resistance (equals 15°C for 10-kΩ NTC; B = 3380)		13	15	16	kΩ
	Thermistor low temperature detection resistance (equals 0°C for 100-kΩ NTC)		250	270	300	kΩ
	Thermistor low temperature detection resistance (equals 5°C for 100-kΩ NTC)		200	220	240	kΩ
	Thermistor low temperature detection resistance (equals 10°C for 100-kΩ NTC)		160	180	200	kΩ
	Thermistor low temperature detection resistance (equals 15°C for 100-kΩ NTC)		130	150	160	kΩ
V <sub>HYS(COLD)</sub>	Low temperature trip point hysteresis	For 10-kΩ NTC; B = 3380		5		°C
R <sub>NOSENSOR</sub>	Thermistor not detected for 10k NTC	Hot temperature detected and charging suspended when the resistance of the battery-NTC is higher than R <sub>NOSENSOR</sub>	260	340	620	kΩ
	Thermistor not detected for 100k NTC		2500	3400	6200	kΩ
<b>THERMAL REGULATION</b>						
T <sub>J(REG)</sub>	Lower Temperature regulation limit			115		°C
T <sub>J(REG)</sub>	Upper Temperature regulation limit			135		°C
T <sub>J(OFF)</sub>	Thermal shutdown temperature			155		°C
T <sub>J(OFF-HYS)</sub>	Thermal shutdown hysteresis			20		°C

## 7.6 Dissipation Ratings

 See <sup>(1)</sup>

PACKAGE	R <sub>θJA</sub>	T <sub>A</sub> ≤ 25°C POWER RATING	DERATING FACTOR ABOVE T <sub>A</sub> = 25°C	T <sub>A</sub> = 70°C POWER RATING	T <sub>A</sub> = 85°C POWER RATING
YFF	55 K/W	1.8 W	18 mW/K	1 W	0.7 W
RSN	38 K/W	2.6 W	26 mW/K	1.4 W	1 W

(1) The thermal resistance was measured on a high K board.

## 7.7 Timing Requirements

			MIN	NOM	MAX	UNIT
<b>RESET and PB_IN</b>						
T <sub>RESET</sub>	Reset delay time on pin $\overline{\text{RESET}}$	Low to high transition of $\overline{\text{RESET}}$ pin, Bit RESET_DELAY = 0	9	11	13	ms
		Low to high transition of $\overline{\text{RESET}}$ pin, Bit RESET_DELAY = 1	70	90	110	
		HIGH to LOW transition of $\overline{\text{RESET}}$ pin $\overline{\text{RESET}}$ will go low by HOLD pin going LOW AND HOLD Bit set to 0 OR voltage at V <sub>reset</sub> falling below the threshold			10	
T <sub>debounce</sub>	Debounce time at $\overline{\text{PB\_IN}}$	Rising and falling voltage	39	50	60	ms
<b>POWER OUTPUTS, DCDC1 and LDO1</b>						
t <sub>Start</sub>	DCDC1 Start-up time	Time from active EN to Start switching		170		μs
t <sub>Ramp</sub>	DCDC1 V <sub>OUT</sub> ramp time	Time to ramp from 5% to 95% of V <sub>OUT</sub>		250		μs
	LDO1 PGOOD debounce time	Internal PGOOD comparator at VOUTLDO1 is debounced by		80		μs
t <sub>Ramp</sub>	LDO1 V <sub>OUT</sub> Ramp time	Internal soft-start when LDO is enabled; Time to ramp from 5% to 95% of V <sub>OUT</sub>		250		μs
<b>POWER PATH</b>						
t <sub>DGL(PGOOD)</sub>	Deglitch time, input power detected status	Time measured from V <sub>IN</sub> : 0 V → 5 V 1 μs rise time to PGOOD = LO		2		ms
t <sub>BLK(OVP)</sub>	Input overvoltage blanking time			50		μs
t <sub>REC(OVP)</sub>	Input overvoltage recovery time	Time measured from V <sub>AC</sub> : 11 V → 5 V 1 μs fall time to <CH_PGOOD> = 0		2		ms
t <sub>DGL(SC2)</sub>	Output short-circuit detection deglitch time, supplement mode short circuit V <sub>BAT</sub> – V <sub>OUT</sub> > V <sub>O(SC2)</sub> indicates short-circuit			250		μs
t <sub>REC(SC2)</sub>	Recovery time, supplement mode short circuit			60		ms
<b>CHARGER</b>						
t <sub>DGL1(LOWV)</sub>	Deglitch time on pre-charge to fast-charge transition			25		ms
t <sub>DGL2(LOWV)</sub>	Deglitch time on fast-charge to pre-charge transition			25		ms
t <sub>DGL(TERM)</sub>	Deglitch time, termination detected			25		ms
t <sub>DGL(RCH)</sub>	Deglitch time, recharge threshold detected			62.5		ms
t <sub>DGL(NO-IN)</sub>	Delay time, input power loss to charger turn-off	V <sub>BAT</sub> = 3.6 V. Time measured from V <sub>IN</sub> : 5 V → 3.3 V 1 μs fall time		20		ms
t <sub>DET</sub>	Battery detection timer			250		ms
<b>BATTERY PACK MONITOR</b>						
t <sub>DGL(TS)</sub>	Deglitch time, pack temperature fault detection			50		ms
t <sub>SW(VBAT-TS)</sub>	MUX switching time	Bit <OPAMP+MUX> toggles			1	ms

Timing Requirements (continued)

		MIN	NOM	MAX	UNIT
<b>I<sup>2</sup>C COMMUNICATION</b>					
f <sub>MAX</sub>	Clock frequency			400	kHz
t <sub>WH(HIGH)</sub>	Clock high time	600			ns
t <sub>WL(LOW)</sub>	Clock low time	1300			ns
t <sub>R</sub>	DATA and CLK rise time			300	ns
t <sub>F</sub>	DATA and CLK fall time			300	ns
t <sub>h(STA)</sub>	Hold time (repeated) START condition (after this period the first clock pulse is generated)	600			ns
t <sub>h(DATA)</sub>	Setup time for repeated START condition	600			ns
t <sub>h(DATA)</sub>	Data input hold time	0			ns
t <sub>su(DATA)</sub>	Data input setup time	100			ns
t <sub>su(STO)</sub>	STOP condition setup time	600			ns
t <sub>(BUF)</sub>	Bus free time	1300			ns

7.8 Switching Characteristics

over operating free-air temperature range (unless otherwise noted)

PARAMETER	TEST CONDITIONS	MIN	TYP	MAX	UNIT
f <sub>SW</sub>	DCDC1 Switching frequency	2.03	2.25	2.48	MHz

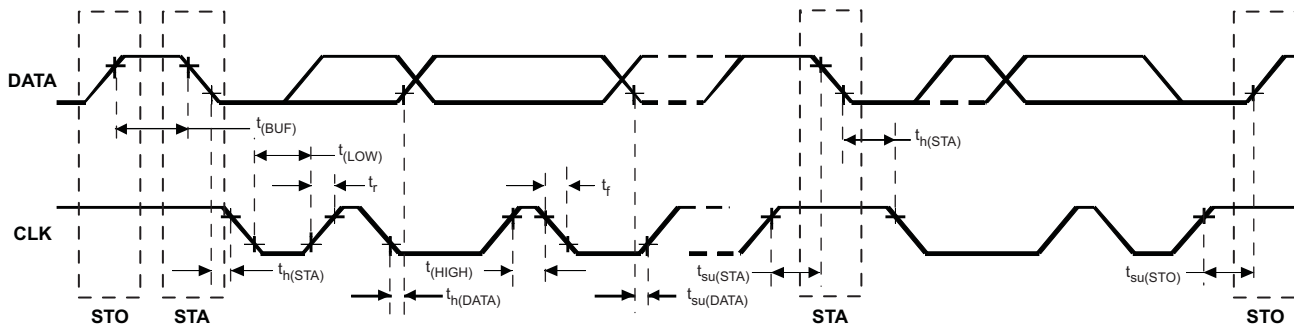


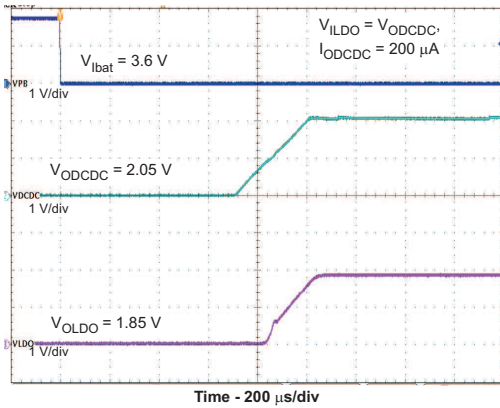
Figure 1. Serial I/f Timing Diagram

### 7.9 Typical Characteristics

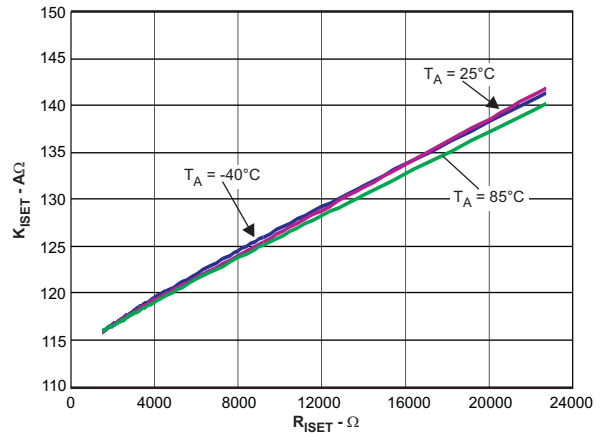
The graphs have been generated on the TPS65720YFF EVM with the inductors as mentioned in the graphs. See the *TPS65720EVM User's Guide (SLVU324)* for details on the layout.

**Table 1. Table Of Graphs**

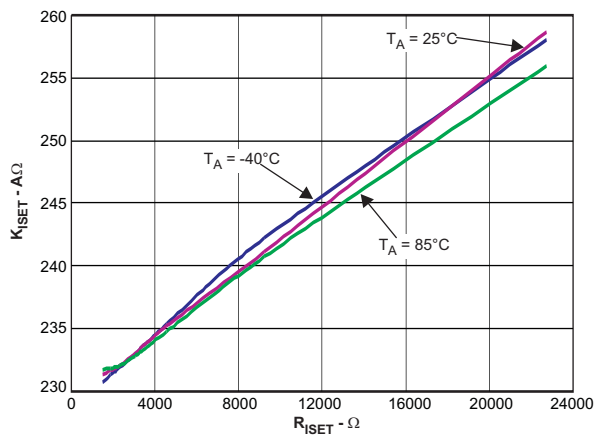
		FIGURE
Startup DCDC1 and LDO1	Scope plot using TPS65720 (battery powered) for PB_IN; Vo_DCDC1; Vo_LDO1	Figure 2
$K_{ISET}$ vs $R_{ISET}$		Figure 3, Figure 4, Figure 5, Figure 6



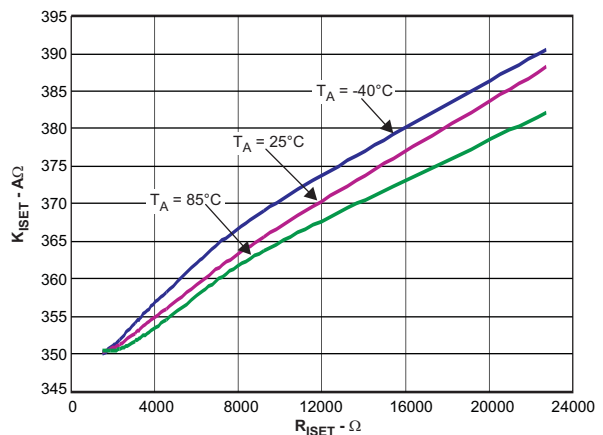
**Figure 2. Start-Up DCDC1 and LDO1**



**Figure 3.  $K_{ISET}$  vs  $R_{ISET}$ ; ICH\_SCL[1,0] = 00**



**Figure 4.  $K_{ISET}$  vs  $R_{ISET}$ ; ICH\_SCL[1,0] = 01**



**Figure 5.  $K_{ISET}$  vs  $R_{ISET}$ ; ICH\_SCL[1,0] = 10**



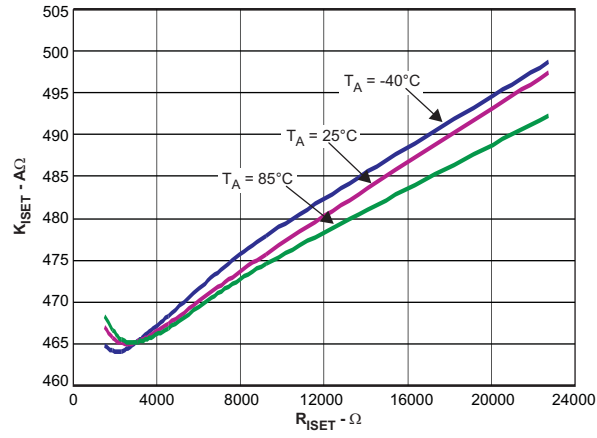


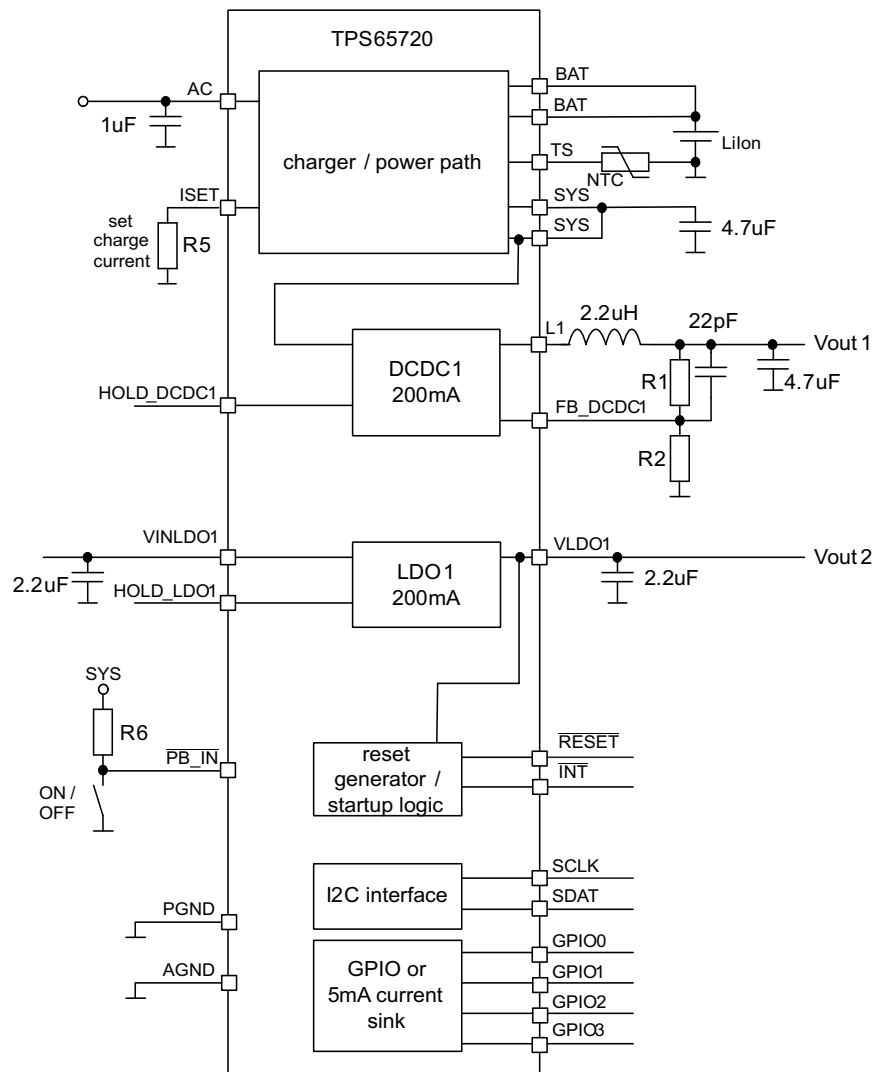
Figure 6.  $K_{ISET}$  vs  $R_{ISET}$ ; ICH\_SCL[1,0] = 11

## 8 Detailed Description

### 8.1 Overview

The TPS6572x device has a battery charger, DC-DC, and LDO that compliment most small low-power products such as wearables, accessories, and MCU systems. In addition to the power delivery the device has I<sup>2</sup>C communication, push button, RESET control, and GPIOs/LED drivers for a complete power system. The DC-DC and LDO turn on automatically with push-button or valid AC input. The system holds them on by use of the HOLD\_DCDC1 and HOLD\_LDO1 pins.

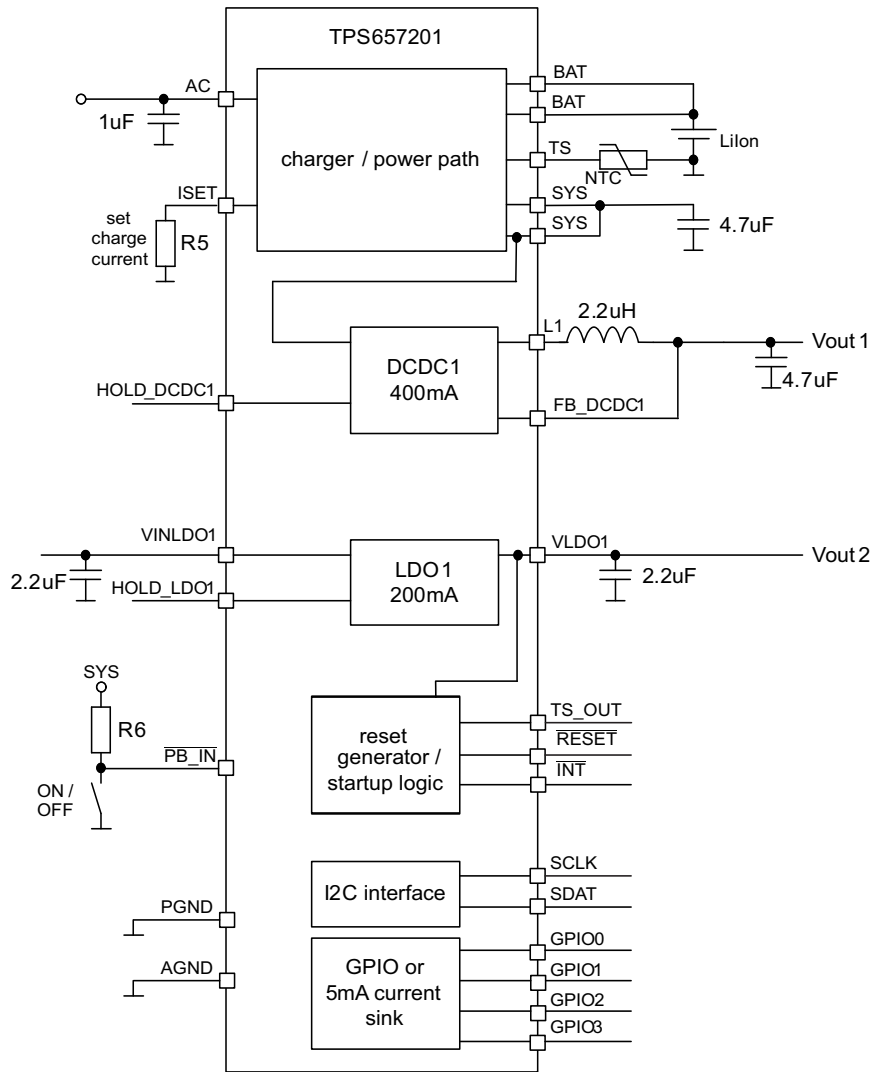
### 8.2 Functional Block Diagrams



Copyright © 2016, Texas Instruments Incorporated

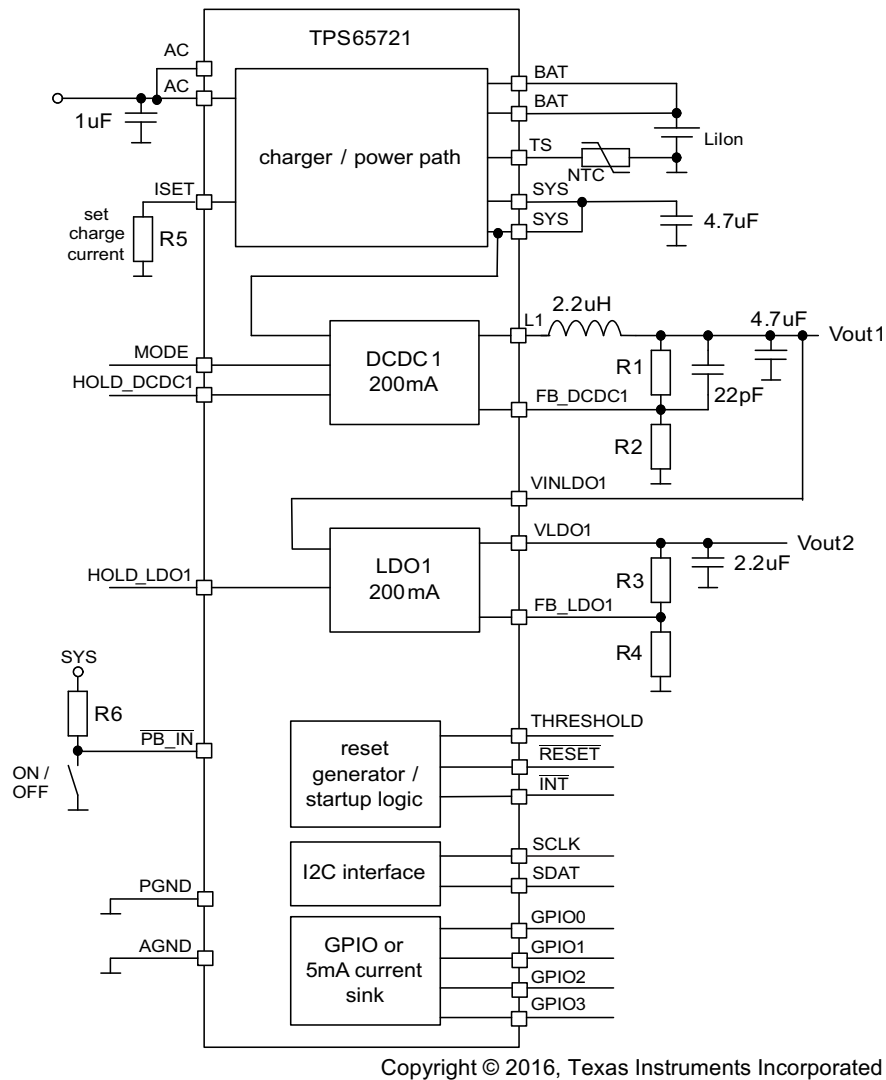
**Figure 7. Functional Block Diagram for TPS65720**

Functional Block Diagrams (continued)



Copyright © 2016, Texas Instruments Incorporated

Figure 8. Functional Block Diagram for TPS657201, TPS657202

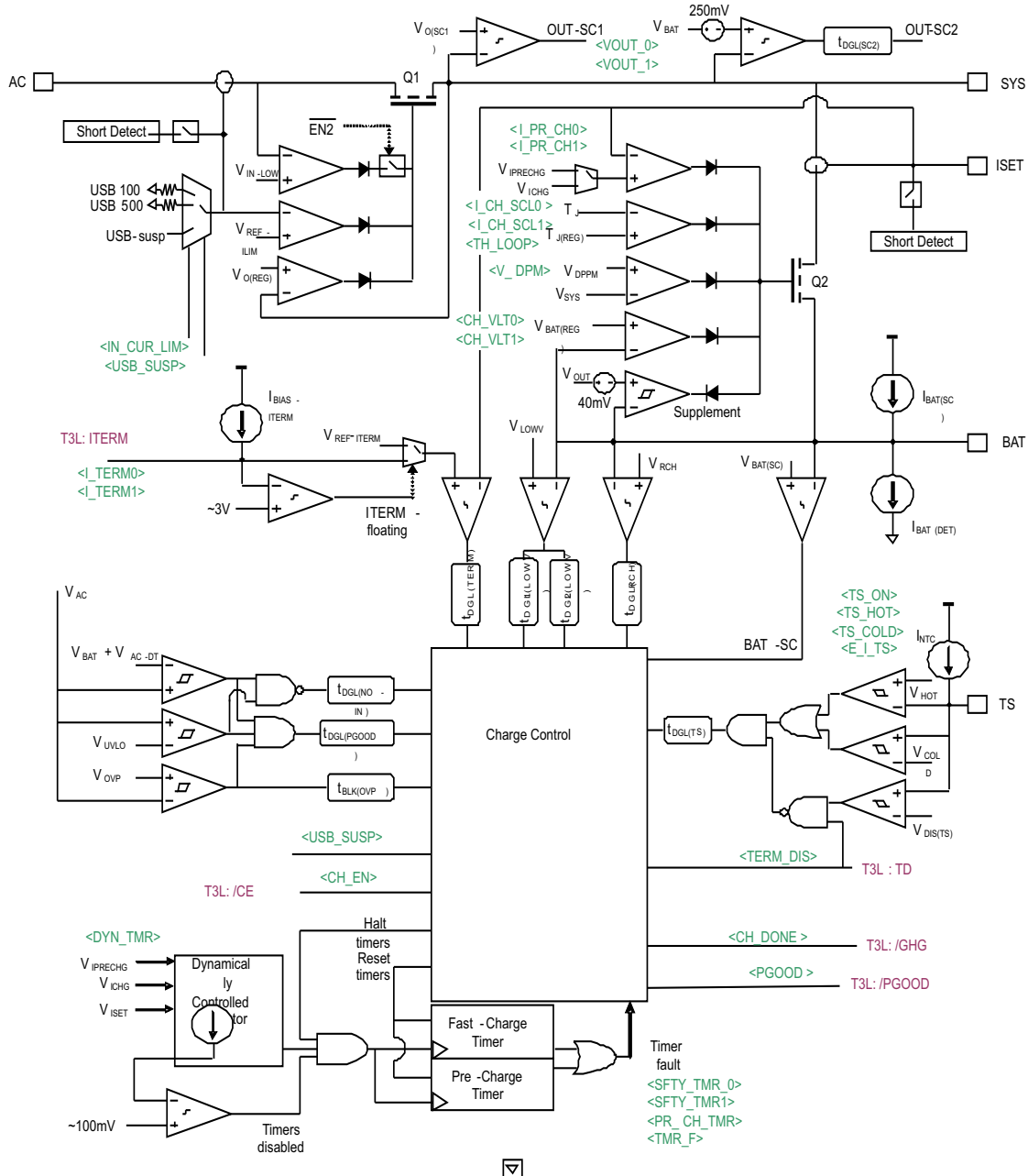
**Functional Block Diagrams (continued)**

**Figure 9. Functional Block Diagram for WQFN Version**
**8.3 Feature Description**
**8.3.1 Battery Charger and Power Path**

The TPS6572x integrates a Li-Ion linear charger and system power-path management targeted at space-limited portable applications. The TPS6572x powers the system while simultaneously and independently charging the battery. This feature reduces the number of charge and discharge cycles on the battery, allows for proper charge termination and enables the system to run with a defective or absent battery pack. It also allows instant system turnon even with a totally discharged battery. The input power source for charging the battery and running the system can be an AC adapter or a USB port. The power-path management feature automatically reduces the charging current if the system load increases. The power-path architecture also permits the battery to supplement the system current requirements when the adapter cannot deliver the peak system currents.

Feature Description (continued)

8.3.2 Power-Path Management

The current at the input pin AC of the power path manager is shared between charging the battery and powering the system load on the SYS pin. Priority is given to the system load. The input current is monitored continuously. If the sum of the charging and system load currents exceeds the preset maximum input current (programmed internally by I<sup>2</sup>C), the charging current is reduced automatically. The default value for the current limit is 500 mA for the AC pin.



Copyright © 2016, Texas Instruments Incorporated

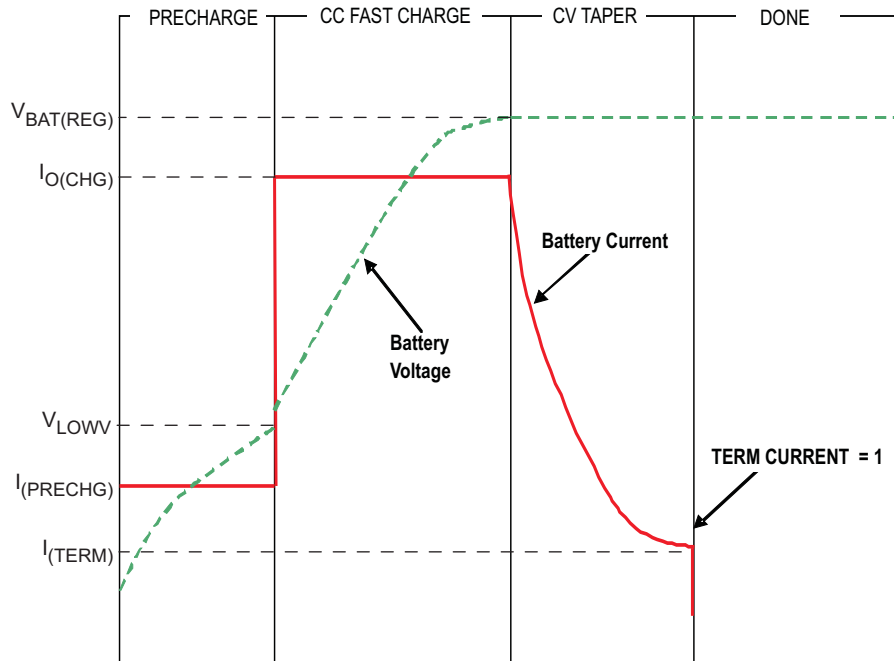
Figure 10. Charger Block Diagram

## Feature Description (continued)

### 8.3.3 Battery Charging

When  $\langle \text{CH\_EN} \rangle = 1$ , battery charging begins. First, the device checks for a short circuit on the BAT pin by sourcing  $I_{\text{BAT(SC)}}$  to the battery and monitoring the voltage. When the BAT voltage exceeds  $V_{\text{BAT(SC)}}$ , the battery charging continues. The battery is charged in three phases: conditioning pre-charge, constant-current fast charge (current regulation) and a constant-voltage tapering (voltage regulation). In all charge phases, an internal control loop monitors the IC junction temperature and reduces the charge current if an internal temperature threshold is exceeded.

Figure 11 shows what happens in each of the three phases:



**Figure 11. Battery Charge**

In the pre-charge phase, the battery is charged with the pre-charge current ( $I_{\text{PRECHG}}$ ). Once the battery voltage crosses the  $V_{\text{LOWV}}$  threshold, the battery is charged with the fast-charge current ( $I_{\text{CHG}}$ ). As the battery voltage reaches  $V_{\text{BAT(REG)}}$ , the battery is held at a constant voltage of  $V_{\text{BAT(REG)}}$  and the charge current tapers off as the battery approaches full charge. Note that termination detection is disabled whenever the charge rate is reduced from the set point because of the actions of the thermal loop, the DPM loop, or the  $V_{\text{IN(LOW)}}$  loop. The value of the fast-charge current is set by the resistor connected from the ISET pin to GND, and is given by Equation 1:

$$I_{\text{CHG}} = K_{\text{ISET}} / R_{\text{iset}} \quad (1)$$

The charge current limit is adjustable up to 300 mA. The valid resistor range is 1500  $\Omega$  to 11.25 k $\Omega$ . Note that if  $I_{\text{CHG}}$  is programmed as greater than the input current limit, the battery does not charge at the rate of  $I_{\text{CHG}}$ , but at the slower rate of  $I_{\text{ACmax}}$  (minus the load current on the OUT pin, if any). In this case, the charger timers are proportionately slowed down.

#### 8.3.3.1 I-PRECHARGE

The value for the pre-charge current is defined with Bits  $\langle I_{\text{PRE1}}, I_{\text{PRE0}} \rangle$  based on the charge current defined with pin ISET and Bits  $\langle \text{CH\_SCL1}, \text{ICH\_SCL0} \rangle$  in register CHCONFIG1. Pre-charge current is scaled to lower currents in DPPM mode or when the charger is in thermal regulation.

## Feature Description (continued)

### 8.3.3.2 ITERM

The value for the termination current threshold can be set in register CHGCONFIG1 using Bits <I\_TERM1, I\_TERM0> based on the charge current defined with pin ISET and Bits <CH\_SCL1, ICH\_SCL0>. Termination current is not scaled in DPPM mode or when the charger is in thermal regulation.

### 8.3.3.3 Battery Detection and Recharge

The charger automatically detects if a battery is connected or removed. Once a charge cycle is complete, the battery voltage is monitored. When the battery voltage falls below VRCH, the device determines if the battery has been removed. A current, IBAT(DET), is pulled from the battery for a duration tDET. If the voltage on the BAT pin remains above VLOWV, it indicates that the battery is still connected, but has discharged. If <CH\_EN> = 1, the charger is turned on again to top off the battery. Recharge cycles are not indicated by the <CH\_ACTIVE> Bit.

If the BAT voltage falls below VLOWV during the battery detection test, it indicates that the battery has been removed. The device then checks for battery insertion. The FET Q2 is turned on and sources IPRECHG out of BAT for the duration of tDET. If the battery voltage does not rise above VRCH, it indicates that a battery has been inserted, and a new charge cycle begins. If the voltage rises above VRCH, it is possible that a fully charged battery has been inserted. To check for this, IBAT(DET) is pulled from the battery for tDET. If the voltage falls below VLOWV, a battery is not present. The device continuously checks for the presence of a battery.

### 8.3.3.4 Charge Termination On/Off

Charge termination can be disabled by setting the Bit <TERM\_EN> = 0. When termination is disabled, the device goes through the pre-charge, fast-charge, and CV phases, then remains in the CV phase. During the CV phase, the charger behaves like an LDO with an output voltage equal to VBAT(REG) and is able to source currents up to ICHG or IINmax, whichever is less. Battery detection is not performed. The Bit <CH\_ACTIVE> = 0 once the current falls below ITERM and does not go to 0 until the input power is toggled. When termination is disabled, the pre-charge and fast-charge safety timers are also disabled. Battery pack temperature sensing (TS pin functionality) is also disabled if Bit <TERM\_EN> = 0 and the TS pin is unconnected.

### 8.3.3.5 Timers

The charger in TPS6572x has internal safety timers for the pre-charge and fast-charge phases to prevent potential damage to either the battery or the system. The default values for the timers can be changed in register CHGCONFIG2.

The pre-charge timer and fast charge timer will run with their nominal speed defined in register CHCONFIG2 if ICH\_SCL[1,0] = 01, which equals a charge current of 50% defined with the ISET resistor. If ICH\_SCL[1,0] are set to higher or lower fast-charge current, the fast charge timers and precharge timers are scaled automatically. For instance, with ICH\_SCL[1,0] = 11, which equals 100% of fast charge current, the safety timers will time out in half the time defined in register CHCONFIG2. Changing the pre-charge current with I\_PRE[1,0] will not change the precharge or fast-charge timers.

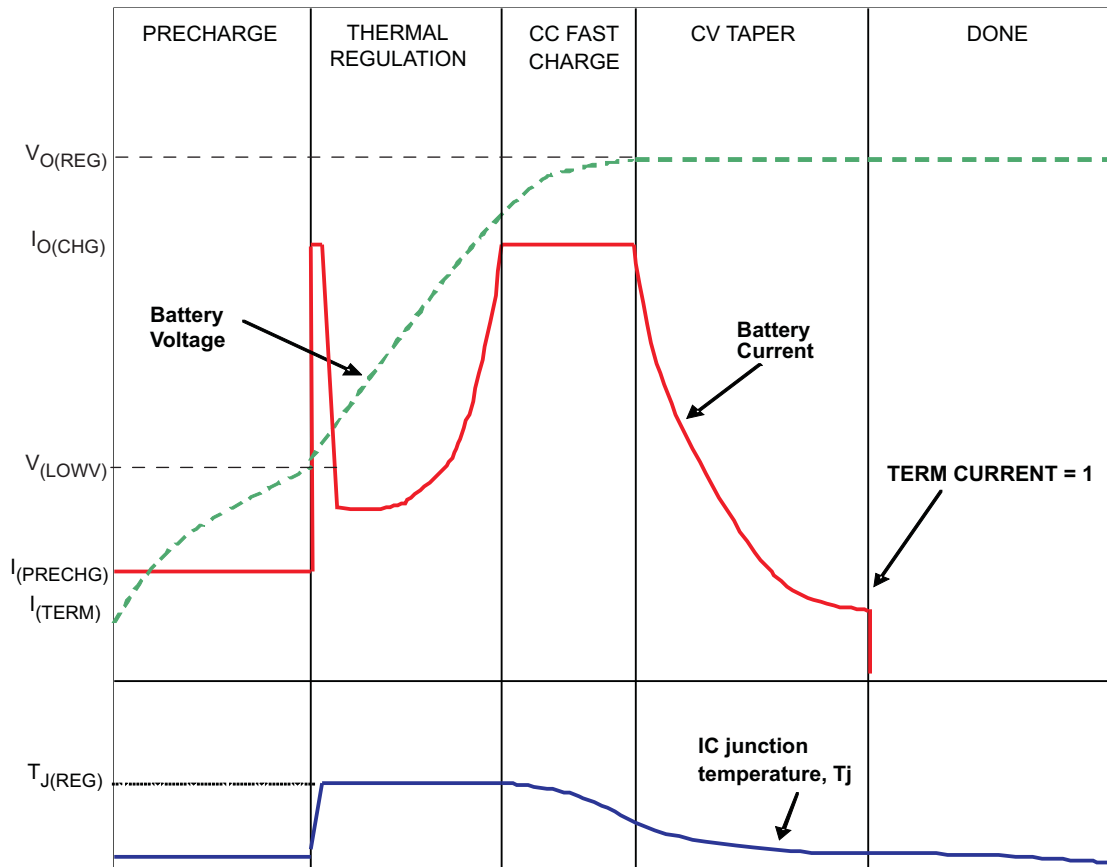
### 8.3.3.6 Dynamic Timer Function

During the fast-charge phase, several events increase the timer durations.

- The system load current activates the DPM loop, which reduces the available charging current
- The input current is reduced because the input voltage has fallen to VIN(LOW)
- The device has entered thermal regulation because the IC junction temperature has exceeded TJ(REG)

During each of these events, the internal timers are slowed down proportionately to the reduction in charging current. For example, if the charging current is reduced by half, the fast-charge timer is twice as long as programmed.

A modified charge cycle with the thermal loop active is shown in [Figure 12](#).

**Feature Description (continued)**

**Figure 12. Thermal Loop**
**8.3.3.7 Charger Fault**

If the precharge timer expires before the battery voltage reaches  $V_{LOWV}$ , the charger indicates a fault condition. Additionally, if the battery current does not fall to  $I_{TERM}$  before the fast-charge timer expires, a fault is indicated by setting Bit  $\langle CH\_FAULT \rangle = 1$ .

**8.3.4 Thermal Regulation and Thermal Shutdown**

The charger contains a thermal regulation loop that monitors the die temperature. If the temperature exceeds  $T_{J(REG)}$ , the device automatically reduces the charging current to prevent the die temperature from increasing further. In some cases, the die temperature continues to rise despite the operation of the thermal loop, particularly under high VAC and heavy system load conditions. Under these conditions, if the die temperature increases to  $T_{J(OFF)}$ , the input FET Q1 is turned OFF. FET Q2 is turned ON to ensure that the battery still powers the load on SYS. Once the device die temperature cools by  $T_{J(OFF-HYS)}$ , the input FET Q1 is turned on and the device returns to thermal regulation. Continuous over-temperature conditions result in the pulsing of the Q1 FET. Note that this feature monitors the die temperature of the charger. This is not synonymous with ambient temperature. Self-heating exists due to the power dissipated in the IC because of the linear nature of the battery charging algorithm and the LDO mode for SYS.

**8.3.5 Battery Pack Temperature Monitoring**

The TPS6572x features an external battery pack temperature monitoring input. The TS input connects to the NTC resistor in the battery pack to monitor battery temperature and prevent dangerous over-temperature conditions. During charging,  $I_{NTC}$  is sourced to TS and the voltage at TS is continuously monitored. If, at any time, the voltage at TS is outside of the operating range ( $V_{COLD}$  to  $V_{HOT}$ ), charging is suspended. The timers maintain their values but suspend counting. When the voltage measured at TS returns to within the operation



## Feature Description (continued)

window, charging is resumed and the timers continue counting. When charging is suspended due to a battery pack temperature fault, the CH\_ACTIVE Bit remains 1 and continues to indicate *charging*. Battery pack temperature sensing is disabled when termination is disabled (<TERM\_EN = 0>) and the voltage at TS is greater than  $V_{DIS(TS)}$ . The battery pack temperature monitoring is disabled by connecting a 10-k $\Omega$  resistor from TS to GND.

TPS6572x contains a feature to shift the termination temperature to higher levels by setting Bits <TMP\_SHIFT1, TMP\_SHIFT0>.

### 8.3.6 DCDC1 Converter

The TPS6572x step-down converter operates with typically 2.25-MHz fixed-frequency pulse width modulation (PWM) at moderate to heavy load currents. At light load currents the converter can automatically enter Power Save Mode and operates then in PFM mode.

During PWM operation, the converter use a unique fast response voltage mode control scheme with input voltage feed-forward to achieve good line and load regulation allowing the use of small ceramic input and output capacitors. At the beginning of each clock cycle initiated by the clock signal, the high-side MOSFET switch is turned on. The current flows now from the input capacitor through the high-side MOSFET switch through the inductor to the output capacitor and load. During this phase, the current ramps up until the PWM comparator trips and the control logic will turn off the switch. The current-limit comparator will also turn off the switch in case the current limit of the high-side MOSFET switch is exceeded. After a dead time preventing shoot through current, the low-side MOSFET rectifier is turned on and the inductor current will ramp down. The current flows now from the inductor to the output capacitor and to the load. It returns back to the inductor through the low-side MOSFET rectifier.

The next cycle will be initiated by the clock signal again turning off the low-side MOSFET rectifier and turning on the on the high-side MOSFET switch.

The DCDC1 converters output voltage is externally adjustable using a resistor-divider at FB\_DCDC1.

### 8.3.7 Power Save Mode

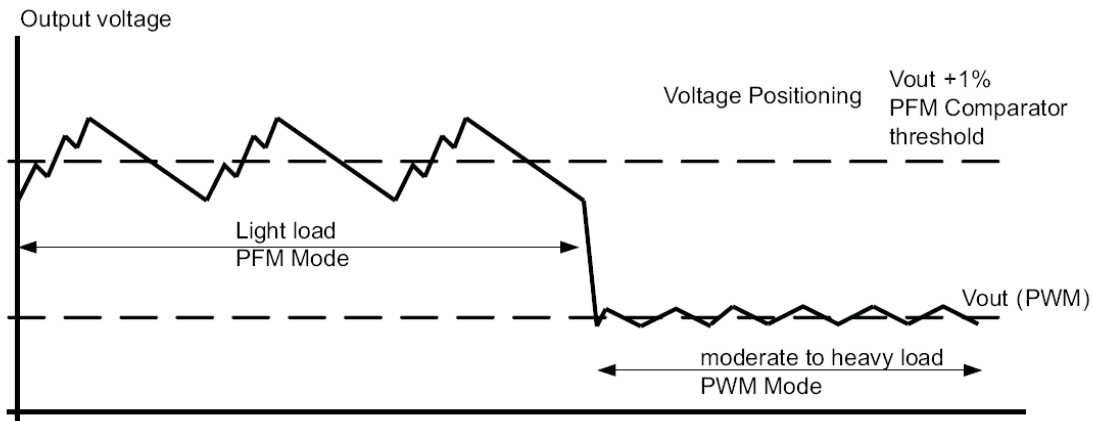
The power save mode is enabled automatically with <F\_PWM> = 0, which is the default setting. If the load current decreases, the converter will enter power save mode operation automatically. During power save mode the converter skips switching and operates with reduced frequency in PFM mode with a minimum quiescent current to maintain high efficiency. The converter will position the output voltage typically +1% above the nominal output voltage. This voltage positioning feature minimizes voltage drops caused by a sudden load step. The transition from PWM mode to PFM mode occurs once the inductor current in the low-side MOSFET switch becomes zero, which indicates discontinuous conduction mode. During the power save mode the output voltage is monitored with a PFM comparator. As the output voltage falls below the PFM comparator threshold of VOUT nominal +1%, the device starts a PFM current pulse. The high-side MOSFET switch will turn on, and the inductor current ramps up. After the ON-time expires, the switch is turned off and the low-side MOSFET switch is turned on until the inductor current becomes zero. The converter effectively delivers a current to the output capacitor and the load. If the load is below the delivered current, the output voltage will rise. If the output voltage is equal or higher than the PFM comparator threshold, the device stops switching and enters a sleep mode with typical 15- $\mu$ A current consumption.

If the output voltage is still below the PFM comparator threshold, a sequence of further PFM current pulses are generated until the PFM comparator threshold is reached. The converter starts switching again once the output voltage drops below the PFM comparator threshold. With a fast single threshold comparator, the output voltage ripple during PFM mode operation can be kept small. The PFM pulse is time controlled, which allows to modify the charge transferred to the output capacitor by the value of the inductor. The resulting PFM output voltage ripple and PFM frequency depend in first order on the size of the output capacitor and the inductor value. Increasing output capacitor values and inductor values will minimize the output ripple. The PFM frequency decreases with smaller inductor values and increases with larger values. The PFM mode is left and PWM mode is entered in case the output current can not longer be supported in PFM mode. The power save mode can be disabled by setting <F\_PWM> = 1. The converter will then operate in fixed-frequency PWM mode.

## Feature Description (continued)

### 8.3.7.1 Dynamic Voltage Positioning

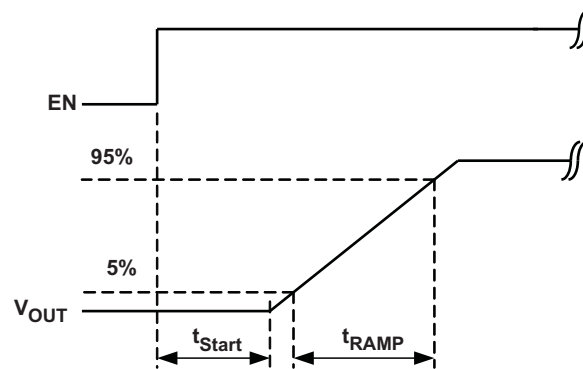
This feature reduces the voltage undershoots and overshoots at load steps from light to heavy load and vice versa. The feature is active in power-save mode and regulates the output voltage 1% higher than the nominal value. This provides more headroom for both the voltage drop at a load step, and the voltage increase at a load throw-off (see [Figure 13](#)).



**Figure 13. DVS Transition**

### 8.3.7.2 Soft Start

The step-down converter in TPS6572x has an internal soft start circuit that controls the ramp up of the output voltage. The output voltage ramps up from 5% to 95% of its nominal value within typical 250  $\mu$ s. This limits the inrush current in the converter during ramp up and prevents possible input voltage drops when a battery or high impedance power source is used.



**Figure 14. Soft Start**

### 8.3.7.3 100% Duty Cycle Low Dropout Operation

The device starts to enter 100% duty cycle mode once the input voltage comes close to the nominal output voltage. To maintain the output voltage, the high-side MOSFET switch is turned on 100% for one or more cycles. With further decreasing  $V_{IN}$  the high-side MOSFET switch is turned on completely. In this case the converter offers a low input-to-output voltage difference. This is particularly useful in battery-powered applications to achieve longest operation time by taking full advantage of the whole battery voltage range. The minimum input voltage to maintain regulation depends on the load current and output voltage, and can be calculated in [Equation 2](#):

## Feature Description (continued)

$$V_{INmin} = V_{Omax} + I_{Omax} \times R_{DS(on)max} + R_L$$

where

- $I_{Omax}$  = maximum output current plus inductor ripple current
- $R_{DS(on)max}$  = maximum high side switch RDSON
- $R_L$  = DC resistance of the inductor
- $V_{Omax}$  = nominal output voltage plus maximum output voltage tolerance (2)

### 8.3.7.4 Undervoltage Lockout

The under voltage lockout circuit prevents the device from malfunctioning at low input voltages and from excessive discharge of the battery and disables the converters and LDOs. The under-voltage lockout threshold is typically 2.2 V.

### 8.3.8 Short-Circuit Protection

All outputs are short-circuit protected with a maximum output current as defined in [Electrical Characteristics](#).

### 8.3.9 Thermal Shutdown

There are two thermal sensors in TPS6572x located at the main sources of power dissipation: the charger and the LDO. The maximum temperature of the charger is regulated by reducing its charge current. If the temperature increases further, the charger is disabled. See details in [Battery Charging](#).

The second sensor is enabled as soon as the LDO is enabled. As soon as the junction temperature,  $T_J$ , exceeds typically 150°C, the device goes into thermal shutdown. In this mode, the low side and high side MOSFETs are turned off. A thermal shutdown for the LDO will disable both, LDO and the DC-DC converter simultaneously.

### 8.3.10 LDO1

The low dropout voltage regulator is designed to operate well with low value ceramic input and output capacitors. The regulator operates with input voltages down to 1.8 V. The LDOs offer a maximum dropout voltage of 160 mV at rated output current. LDO1 supports a current limit feature. Its output voltage is adjustable using a resistor-divider at FB\_LDO1 for TPS65721. The LDO1 voltage is fixed to 1.85 V for TPS65720 and TPS657201. For TPS657202, the default LDO1 voltage is 2.85 V.

#### 8.3.10.1 Default Voltage Setting for LDOs and DCDC1

Following are the output voltages of the different versions:

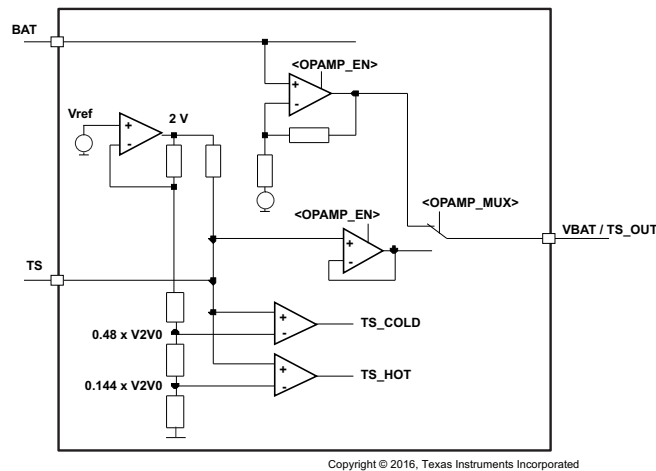
- TPS65720
  - DCDC1: externally adjustable
  - LDO1: 1.85 V
- TPS657201
  - DCDC1: 1.85 V
  - LDO1: 1.85 V
- TPS657202
  - DCDC1: 1.90 V
  - LDO1: 2.85 V
- TPS65721
  - DCDC1: externally adjustable
  - LDO1: externally adjustable

The I<sup>2</sup>C registers allow changing the default voltage for LDO1 in a range of 0.8 V to 3.3 V. For DCDC1, the register also allows setting any voltage in the range from 0.8 V to 3.3 V, however for the adjustable versions, the change in the I<sup>2</sup>C register has no effect on the output voltage. The registers will be set to the default value when the voltage at SYS drops below the undervoltage lockout threshold or by a reset event ( $\overline{\text{RESET}}$  output is actively pulled low). See [Register Maps](#) for more details.

## Feature Description (continued)

### 8.3.10.2 Internal Analog Multiplexer (BAT, TS, TS\_OUT); TPS657201, TPS657202 Only

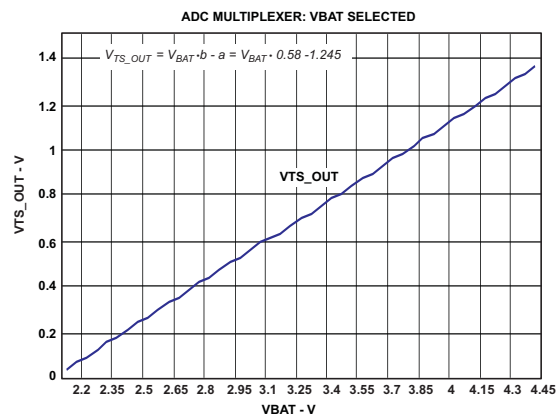
The internal Multiplexer switches the analog voltage on Pin BAT (battery voltage) or on pin TS (battery NTC) to pin TS\_OUT. The input is selected by Bit <OPAMP\_MUX> in register CONTROL1. The input voltage range of 2.5 V to 4.5 V on pin BAT is internally scaled to a voltage of 0 V to 1.4 V on pin TS\_OUT. If the battery temperature is selected as the input by setting <OPAMP\_MUX> = 1, a temperature range of –20°C to 60°C is scaled to a voltage of 0 V to 1.4 V on pin TS\_OUT. If the charger is not active, the internal current source for the NTC inside the battery pack is enabled automatically if the multiplexer is enabled with <OPAMP\_EN> = 1 AND temperature measurement is selected by <OPAMP\_MUX> = 1. If the analog multiplexer is disabled with <OPAMP\_EN> = 0, the output VBAT/TS\_OUT is shorted internally to GND, allowing for offset correction at the ADC. See [Figure 15](#) for more details.



Copyright © 2016, Texas Instruments Incorporated

**Figure 15. Multiplexer Block Diagram**

The transfer function for the battery voltage is given in the [Figure 16](#):



**Figure 16. TS Multiplexer Output**

### 8.3.10.3 Internal Battery Voltage Comparator

An internal comparator supervises the battery voltage at pin BAT when the device is configured for Li-primary battery (CH\_EN = 0), compares it to a voltage defined with registers <VBAT1>, <VBAT0> and sets Bit <VBAT\_COMP> in register CHCONFIG3 accordingly. An interrupt can be generated if the battery voltage falls below the threshold and the feature is unmasked in register IRMASK0. If the battery voltage comparator is disabled with VBAT\_COMP\_EN = 0 in register CHCONFIG2, the register containing the comparator output VBAT\_COMP in CHCONFIG3 is read as a logic HIGH.

## Feature Description (continued)

### 8.3.10.4 GPIOs, LED Drivers

TPS6572x contains 4 standard input/output pins (GPIOs) named GPIO0 to GPIO3. The output driver/input buffer is available in register GPIO\_SSC while register GPIODIR selects the data direction and additional features. After RESET, GPIO0 and GPIO1 are pre-defined as general purpose inputs while GPIO2 and GPIO3 are configured as LED driver outputs which are high impedance. The LED driver outputs are designed to be constant current sinks to GND, sinking a constant current of 5 mA when enabled. The GPIOs do not have internal pull-up resistors. External pull-up resistors might be required if configured as inputs or outputs.

### 8.3.10.5 $\overline{\text{RESET}}$ Output

Actively low, open-drain reset output. Connect external pull-up resistor. The reset pin will go high impedance 100 ms after the reset condition is left. For TPS65720, TPS657201, TPS657202, reset is generated, depending on the power-good signal of LDO1, when the output voltage is below the threshold or LDO1 is disabled. For TPS65721, reset is generated depending on the voltage at pin THRESHOLD.

### 8.3.10.6 Threshold Input (TPS65721 Only)

This is an input to the comparator driving the  $\overline{\text{RESET}}$  output. If the voltage applied at THRESHOLD is below the threshold,  $\overline{\text{RESET}}$  is pulled actively LOW. If the voltage rises above the threshold + hysteresis, the  $\overline{\text{RESET}}$  output is released after a delay time of 100 ms (typically).

#### 8.3.10.6.1 ENABLE for DCDC1 and LDO1

The DCDC1 converter and LDO1 are enabled as soon as  $\overline{\text{PB\_IN}}$  is pulled LOW OR input voltage at pin AC is detected (<CH\_PGOOD> = 1).

There is a power-hold pin for DCDC1 (HOLD\_DCDC1) and one for LDO1 (HOLD\_LDO1). When HOLD\_DCDC1 is pulled HIGH, DCDC1 is kept enabled after  $\overline{\text{PB\_IN}}$  was released HIGH. HOLD\_LDO1 serves the same function and keeps LDO1 enabled after  $\overline{\text{PB\_IN}}$  was released HIGH. After first power-up by pulling  $\overline{\text{PB\_IN}}$  = LOW or applying voltage at AC, the HOLD pins HOLD\_DCDC1 and HOLD\_LDO1 can also be used as enable pins, such that they turn on LDO1 or DCDC1, respectively when they are pulled HIGH. This function is available as long as there is a voltage at the battery. After the battery was removed or was discharged, first power-on needs to be done by pulling  $\overline{\text{PB\_IN}}$  = LOW.

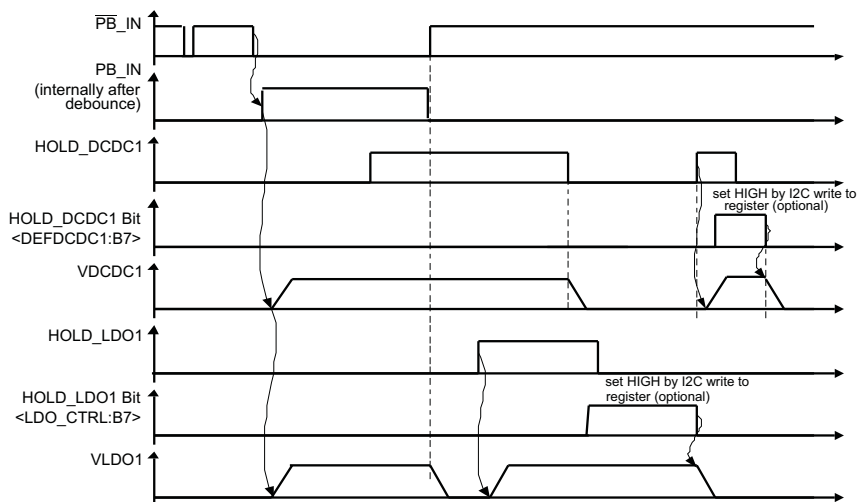
Disabling the DC-DC converter or LDO, forces the device into shutdown, with a shutdown quiescent current as defined in [Electrical Characteristics](#). In this mode, the low and high side MOSFETs are turned off and the entire internal control circuitry is switched-off. For proper operation the  $\overline{\text{PB\_IN}}$ , HOLD\_DCDC1, EN\_DLO1 pins must be terminated and must not be left floating.

#### 8.3.10.6.2 $\overline{\text{PB\_IN}}$ Input

Enables DCDC1 and LDO1 if pulled to GND. Disables DCDC1 and LDO1 if pulled high. There is no internal pull-up resistor, so a resistor is needed externally to SYS. SYS is preferred over BAT because it is powered by either AC or BAT (whichever is higher). If BAT is used, the device may not get a valid HIGH signal if the battery is deeply discharged even when there is voltage at AC.

The input signal is debounced internally by 50 ms. When  $\overline{\text{PB\_IN}}$  is pulled low, the DCDC1 converter and LDO1 will power up simultaneously. When  $\overline{\text{PB\_IN}}$  is deasserted, both converters are turned off. To leave the converters on, the HOLD\_DCDC1 and HOLD\_LDO1 pin need to be asserted high. The HOLD register Bit <CONTROL1:B5> will keep both, DCDC1 and LDO1 enabled if set to 1. For proper operation the  $\overline{\text{PB\_IN}}$ , HOLD\_DCDC1 and HOLD\_LDO1 pins must be terminated and must not be left floating.

## Feature Description (continued)



**Figure 17.  $\overline{\text{PB\_IN}}$  Timing**

### 8.3.10.6.3 HOLD\_DCDC1 Input

Actively high hold input for DCDC1. Logically OR'd with the DCDC1 hold Bit <DEFDCDC1:B7>. If the input is driven HIGH after  $\overline{\text{PB\_IN}}$  was pulled LOW, the DCDC1 converter stays on after  $\overline{\text{PB\_IN}}$  was released.

### 8.3.10.6.4 HOLD\_LDO1 Input

Actively high hold input for LDO1. Logically OR'd with the LDO1 hold Bit <LDO\_CTRL:B7>. If the input is driven HIGH after  $\overline{\text{PB\_IN}}$  was pulled LOW, LDO1 stays on after  $\overline{\text{PB\_IN}}$  was released.

### 8.3.10.6.5 $\overline{\text{INT}}$ Output

Actively low, open-drain interrupt output. Connect external pull-up resistor. Interrupts are flagged in the registers IR0, IR1 and IR2 if the interrupt is not masked by registers IRMASK0, IRMASK1 and IRMASK2. Per default, all interrupts are masked. Interrupts which are unmasked will set the Bit in either on the rising edge or on both edges. Details can be found in the register description for IR0, IR1, and IR2 (see [Register Maps](#)). Any Bit in IR0, IR1 and IR2, set to 1 will drive the reset pin  $\overline{\text{INT}}$  actively LOW.

The reset pin will go high impedance after the Bit generating the reset is read.

## 8.4 Device Functional Modes

### 8.4.1 Power Down

The charger remains in power-down mode when the input voltage at the AC pin is below the undervoltage lockout threshold (UVLO). During the power-down mode, the host commands through the I<sup>2</sup>C interface are ignored. The Q1 FET connected between AC and SYS pins is off. The Q2 FET that connects BAT to SYS is ON.

(If <SYSOFF> = 1, Q2 is off). During power-down mode, the VOUT(SC2) circuitry is active and monitors for overload conditions on SYS.

### 8.4.2 Sleep Mode

The charger enters sleep mode when  $V_{\text{AC}}$  is greater than UVLO, but below  $V_{\text{BAT}} + V_{\text{IN(DT)}}$ . In sleep mode, the host commands are ignored. The Q1 FET connected between AC and SYS pins is off. The Q2 FET that connects BAT to SYS is ON. (If <SYSOFF> = 1, Q2 is off). During sleep mode, the  $V_{\text{OUT(SC2)}}$  circuitry is active and monitors for overload conditions on SYS.



## Device Functional Modes (continued)

### 8.4.3 Standby Mode

When  $V_{AC}$  is greater than UVLO and  $V_{IN}$  is greater than  $V_{BAT} + V_{IN(DT)}$ , the device is in standby mode.  $\langle CH\_PGOOD \rangle = 1$  to indicate the valid power status and the host commands are read. The device enters standby mode whenever  $\langle AC \text{ input current1}, AC \text{ input current0} \rangle = (1,1)$  or if an input overvoltage condition occurs. In standby mode, Q1 is OFF and Q2 is ON. (If  $\langle SYSOFF \rangle = 1$ , Q2 is off). During standby mode, the  $V_{OUT(SC2)}$  circuitry is active and monitors for overload conditions on SYS.

### 8.4.4 Power-On Reset Mode

The charger enters power-on reset mode when the input voltage at AC is within the valid range:  $V_{AC} > UVLO$  and  $V_{AC} > V_{BAT} + V_{IN(DT)}$  and  $V_{AC} < VOVP$ , and the Bits  $\langle AC \text{ input current1}, AC \text{ input current0} \rangle$  indicate that the USB suspend mode is not enabled [ $\langle AC \text{ input current1}, AC \text{ input current0} \rangle \neq (1,1)$ ]. During power-on reset mode, all internal timers and other circuit blocks are activated. The device checks for short-circuits at the ISET pin. If no short conditions exists, the device switches on the input FET Q1 with a 100-mA current limit to check for a short circuit at SYS. If  $V_{OUT}$  rises above  $V_{SC}$ , the FET Q1 switches to the current-limit threshold set by  $\langle AC \text{ input current1}, AC \text{ input current0} \rangle$ , and the device enters into the Idle mode.

### 8.4.5 Idle Mode

In the Idle mode, the system is powered by the input source (Q1 is on), and the device continuously monitors the status of the host commands. It also continuously monitors the input voltage conditions. Q2 is turned on whenever the input source cannot deliver the required load current (supplement mode). The device also enters Idle mode whenever  $\langle CH\_EN \rangle = 0$  while the input voltage is in the valid range of operation.

## 8.5 Programming

### 8.5.1 Serial Interface

The serial interface is compatible with the standard and fast mode I<sup>2</sup>C specifications, allowing transfers at up to 400 kHz. The interface adds flexibility to the power supply solution, enabling most functions to be programmed to new values depending on the instantaneous application requirements and charger status to be monitored. Register contents remain intact as long as VCC remains above the UVLO threshold. The TPS6572x has a 7-bit address: 100 1000, other addresses are available upon contact with the factory. Attempting to read data from register addresses not listed in this section will result in 00h being read out.

For normal data transfer, DATA is allowed to change only when CLK is low. Changes when CLK is high are reserved for indicating the start and stop conditions. During data transfer, the data line must remain stable whenever the clock line is high. There is one clock pulse per bit of data. Each data transfer is initiated with a start condition and terminated with a stop condition. When addressed, the TPS6572x device generates an acknowledge bit after the reception of each byte. The master device (microprocessor) must generate an extra clock pulse that is associated with the acknowledge bit. The TPS6572x device must pull down the DATA line during the acknowledge clock pulse so that the DATA line is a stable low during the high period of the acknowledge clock pulse. The DATA line is a stable low during the high period of the acknowledge-related clock pulse. Setup and hold times must be taken into account. During read operations, a master must signal the end of data to the slave by not generating an acknowledge bit on the last byte that was clocked out of the slave. In this case, the slave TPS6572x device must leave the data line high to enable the master to generate the stop condition.

For the WQFN version, the voltage the pull-up resistors for the I<sup>2</sup>C interface at SCLK and SDAT are connected to, should be monitored by the reset circuitry. This is done by connecting THRESHOLD with a voltage divider to the voltage the SDAT and SCLK pins are pulled-up to. This is needed to ensure a falling supply voltage will cause a reset to the I<sup>2</sup>C interface. Otherwise a START condition may be detected and the first access to the I<sup>2</sup>C interface may return NO ACK (no acknowledge).

Programming (continued)

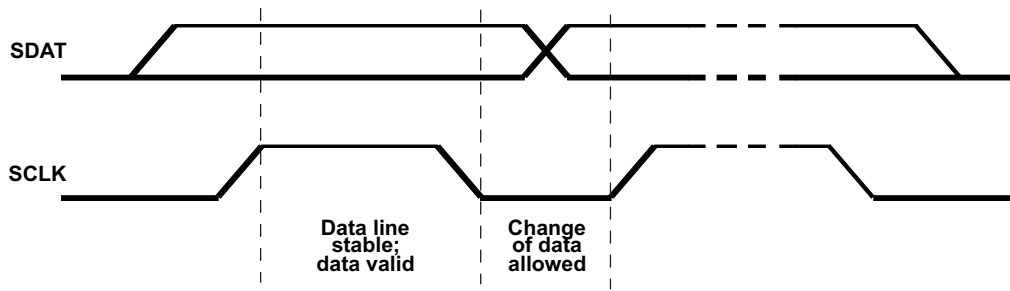


Figure 18. Bit Transfer on the Serial Interface

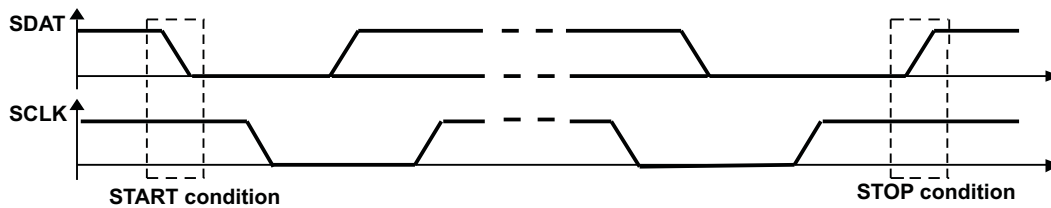
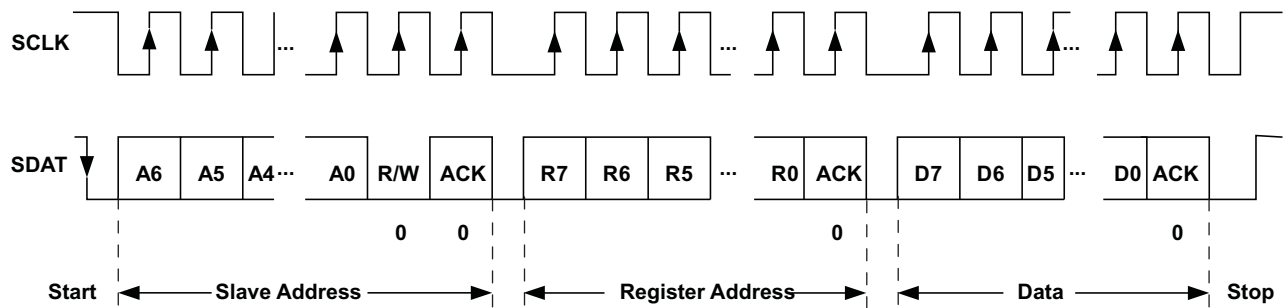
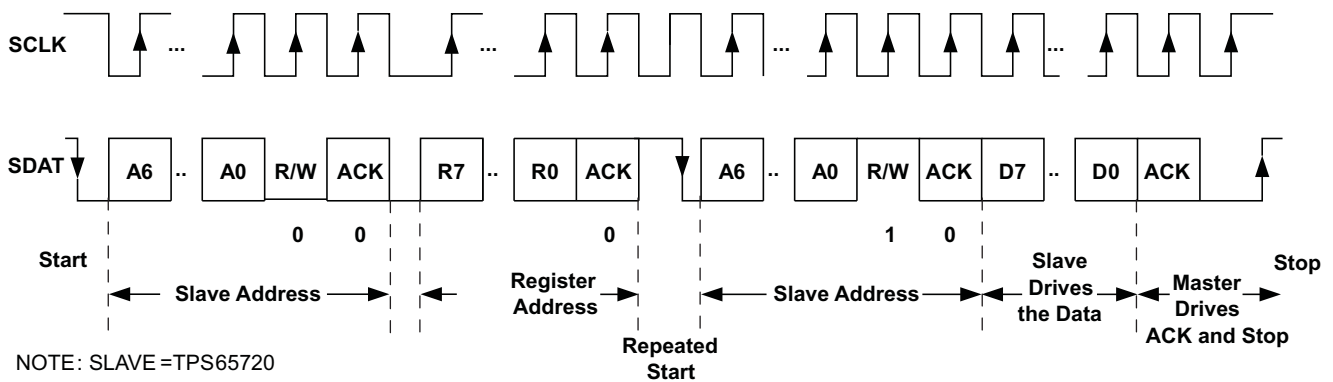


Figure 19. START and STOP Conditions



NOTE: SLAVE =TPS65720

Figure 20. Serial I/f WRITE to TPS6572x Device

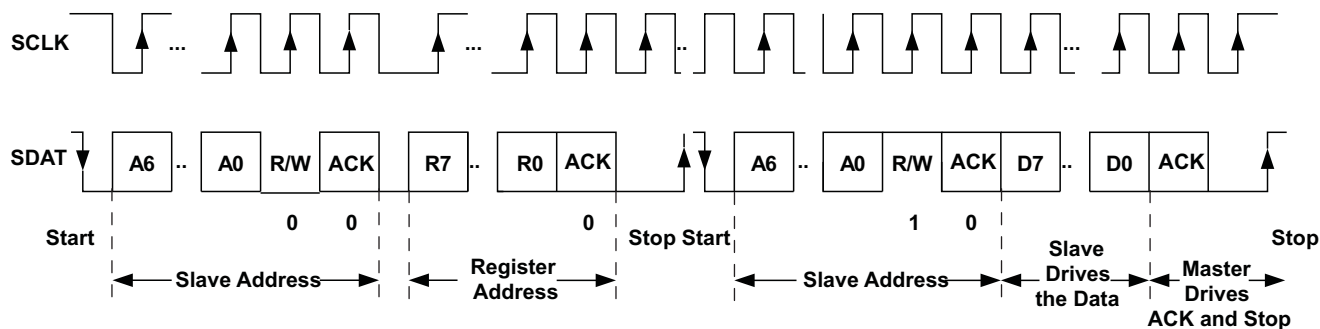


NOTE: SLAVE =TPS65720

Figure 21. Serial I/f READ From TPS6572x: Protocol A



## Programming (continued)



NOTE: SLAVE=TPS65720

Figure 22. Serial I/f READ From TPS6572x: Protocol B

## 8.6 Register Maps

All registers are set to their default value by one of the following events:

- Voltage at the SYS pin is below the undervoltage lockout voltage (UVLO)
- RESET is active;  $\overline{\text{RESET}}$  output is pulled LOW and goes high with a 100-ms delay

Table 2. Register Summary

ADDRESS	NAME	SHORT DESCRIPTION
0x01h	CHGSTATUS	Battery Charger Statuses
0x02h	CHGCONFIG0	Battery Charger Configuration and Control
0x03h	CHGCONFIG1	Battery Charger Configuration and Control
0x04h	CHGCONFIG2	Battery Charger Configuration and Control
0x05h	CHGCONFIG3	Battery Charger Configuration and Control
0x06h	CHGSTATE	Battery Charger Current State Notification
0x07h	DEFDCDC1	DCDC1 Output Voltage Setting and Control
0x08h	LDO_CTRL	LDO1 Output Voltage Setting and Control
0x09h	CONTROL0	Power Good Statuses and Force PWM Control
0x0Ah	CONTROL1	Miscellaneous Device Control and Push Button Status
0x0Bh	GPIO_SSC	Input Data for GPIOs If Set to Input Mode
0x0Ch	GPIO_DIR	GPIOs Configuration and Control
0x0Dh	IRMASK0	Interrupt Masking Control
0x0Eh	IRMASK1	Interrupt Masking Control
0x0Fh	IRMASK2	Interrupt Masking Control
0x10h	IR0	Interrupt Reporting
0x11h	IR1	Interrupt Reporting
0x12h	IR2	Interrupt Reporting

**8.6.1 CHGSTATUS Register Address: 01h (read only)**

CHGSTATUS	B7	B6	B5	B4	B3	B2	B1	BO
Bit name and function	TS_HOT	TS_COLD	OVP		CH_ACTIVE	CH_PGOOD	CH_THLOOP	
Default	x	x	x	0	x	x	x	0
Default value loaded by:								
Read/write	R	R	R	R	R	R	R	R

**Bit 7 TS\_HOT:**

0 = battery temperature is below high temperature threshold (45°C/50°C/55°C/60°C).

1 = battery temperature is above high temperature threshold (45°C/50°C/55°C/60°C).

**Bit 6 TS\_COLD:**

0 = battery temperature is above low temperature threshold (0°C/5°C/10°C/15°C)

1 = battery temperature is below low temperature threshold (0°C/5°C/10°C/15°C)

**Bit 5 OVP:**

 0 = Input overvoltage protection is not active ( $V_{AC} < 6.6\text{ V}$ )

 1 = Input overvoltage protection is active ( $V_{AC} > 6.6\text{ V}$ )

**Bit 3 CH\_ACTIVE:**

0 = charger is not active

1 = charger is charging the battery

**Bit 2 CH\_PGOOD:**

0 = no input voltage at pin AC or voltage not inside the voltage range for charging

1 = power source is present and in the range valid for charging

**Bit 1 CH\_THLOOP:**

0 = thermal loop or DPPM not active

1 = thermal loop or DPPM active, charge current is reduced due to thermal loop, low input voltage or system load.

**8.6.2 CHGCONFIG0 Register Address: 02h (read/write)**

CHGCONFIG0	B7	B6	B5	B4	B3	B2	B1	B0
Bit name and function	VSYS1	VSYS0	AC input current1	AC input current0	TH_LOOP	DYN_TMR	TERM_EN	CH_EN
Default For TPS65720, TPS657201	0	1	1	0	1	1	1	1
Default for TPS657202	0	1	0	0	1	1	1	1
Default for TPS65721	1	0	1	0	1	1	1	1
Default value loaded by:	UVLO/R	UVLO/R	UVLO/R	UVLO/R	UVLO/R	UVLO/R	UVLO/R	UVLO/R
Read/write	R/W	R/W	R/W	R/W	R/W	R/W	R/W	R/W

**Bit 7..6 VSYS1..VSYS0:**

00 = the output voltage of the power path at pin SYS tracks the battery voltage;

VSYS = VBAT + 200 mV (Vbat > 3.3 V); VSYS = 3.4 V (VBAT ≤ 3.3 V); V\_DPPM = 1 is forced in this case

01 = the output voltage of the power path at pin SYS is regulated to 4.4 V

10 = the output voltage of the power path at pin SYS is regulated to 5 V

11 = the output voltage of the power path at pin SYS is regulated to 5.5 V

**Bit 5..4 AC input current1.. AC input current0:**

00 = 100 mA, input voltage DPPM enabled

01 = 500 mA, input voltage DPPM enabled

10 = 500 mA, input voltage DPPM disabled

11 = USB suspend mode; standby

**Bit 3 TH\_LOOP:**

0 = the thermal loop is disabled

1 = the thermal loop is enabled and the charge current is reduced if the temperature exceeds 125°C

**Bit 2 DYN\_TMR (dynamic timer function):**

0 = safety timers run with their normal clock speed

1 = clock speed for the safety timers is reduced based on the actual charge current if DPPM or thermal loop is active

**Bit 1 TERM\_EN (charge termination enable):**

0 = charge termination will not occur and the charger will always be on

1 = charge termination enabled based on timers and termination current

**Bit 0 CH\_EN:**

0 = the charger is disabled

1 = the charger is enabled

**8.6.3 CHGCONFIG1 Register Address: 03h (read/write)**

CHGCONFIG1	B7	B6	B5	B4	B3	B2	B1	BO
Bit name and function	I_PRE1	I_PRE0	ICH_SCL1	ICH_SCL0	I_TERM1	I_TERM0		
Default For TPS65720, TPS657201, TPS657202	0	1	0	1	0	1	0	0
Default for TPS65721	0	1	1	1	0	1	1	1
Default value loaded by:	UVLO/R	UVLO/R	UVLO/R	UVLO/R	UVLO/R	UVLO/R		
Read/write	R/W	R/W	R/W	R/W	R/W	R/W	R	R

**Bit 7..6 I\_PRE1..I\_PRE0 (Pre-charge current factor):**

- 00 = 5% of value defined with ICH\_SCL1, ICH\_SCL0
- 01 = 10% of value defined with ICH\_SCL1, ICH\_SCL0
- 10 = 15% of value defined with ICH\_SCL1, ICH\_SCL0
- 11 = 20% of value defined with ICH\_SCL1, ICH\_SCL0

**Bit 5..4 ICH\_SCL1..ICH\_SCL0 (charge current scaling factor):**

- 00 = 25% of value defined with ISET resistor; safety timer will time out at 2x SFTY\_TMR[0,1]
- 01 = 50% of value defined with ISET resistor; safety timer runs at its nominal time defined in SFTY\_TMR[0,1]
- 10 = 75% of value defined with ISET resistor; safety timer will time out at 0.66x SFTY\_TMR[0,1]
- 11 = 100% of value defined with ISET resistor; safety timer will time out at 0.5x SFTY\_TMR[0,1]

**Bit 3..2 I\_TERM1..I\_TERM0 (termination current scaling factor):**

- 00 = 5% of value defined with ICH\_SCL1, ICH\_SCL0
- 01 = 10% of value defined with ICH\_SCL1, ICH\_SCL0
- 10 = 15% of value defined with ICH\_SCL1, ICH\_SCL0
- 11 = 20% of value defined with ICH\_SCL1, ICH\_SCL0

**8.6.4 CHGCONFIG2 Register Address: 04h (read/write)**

CHGCONFIG2	B7	B6	B5	B4	B3	B2	B1	BO
Bit name and function	SFTY_TMR1 0	SFTY_TMR	PRE_TMR		NTC	V_DPPM	VBAT_COMP_EN	
Default	0	1	0	0	1	1	0	0
Default value loaded by:	UVLO/R	UVLO/R	UVLO/R		UVLO/R	UVLO/R	UVLO/R	
Read/write	R/W	R/W	R/W	R	R/W	R/W	R/W	R

**Bit 7..6 SFTY\_TMR1..SFTY\_TMR0 (charge safety timer value):**

- 00 = 4h
- 01 = 5h
- 10 = 6h
- 11 = 8h

**Bit 5 PRE\_TMR (pre-charge timer value):**

- 0 = 30 min
- 1 = 60 min

**Bit 3 NTC (sensor resistance):**

- 0 = 100k NTC (I = 7.5  $\mu$ A)
- 1 = 10k NTC (I = 75  $\mu$ A)

**Bit 2 V\_DPPM (dynamic power path threshold):**

- 0 = VBAT + 100 mV
- 1 = 4.3 V

- Bit 1      VBAT\_COMP\_EN (battery voltage comparator enable):  
            0 = battery voltage comparator for Li-primary cells disabled; VBAT\_COMP interrupt disabled  
            1 = battery voltage comparator for Li-primary cells enabled

**8.6.5 CHGCONFIG3 Register Address: 05h (read/write)**

CHGCONFIG3	B7	B6	B5	B4	B3	B2	B1	B0
Bit name and function	CH_VLTG2	CH_VLTG1	CH_VLTG0	TMP_SHIFT1	TMP_SHIFT0	VBAT1	VBAT0	VBAT_COMP
Default	0	1	0	0	0	0	0	1
Default value loaded by:	UVLO/R	UVLO/R	UVLO/R	UVLO/R	UVLO/R	UVLO/R	UVLO/R	UVLO/R
Read/write	R/W	R/W	R/W	R/W	R/W	R/W	R/W	R

Bit 7..5 CH\_VLTG2..CH\_VLTG0 (charge voltage selection):

000 = 4.15 V  
 001 = 4.175 V  
 010 = 4.20 V  
 011 = 4.225 V  
 100 = 4.25 V  
 101 = 4.275 V  
 110 = 4.3 V  
 111 = 4.325 V

Bit 4..3 TMP\_SHIFT1..TMP\_SHIFT0 (battery temperature shift):

00 = the temperature for TS\_COLD and TS\_HOT is at 0°C/45°C  
 01 = the temperature window is shifted by 5°C to TS\_COLD/TS\_HOT = 5°C/50°C  
 10 = the temperature window is shifted by 10°C to TS\_COLD/TS\_HOT = 10°C/55°C  
 11 = the temperature window is shifted by 15°C to TS\_COLD/TS\_HOT = 15°C/60°C

Bit 2..1 VBAT1..VBAT0 (battery voltage comparator threshold; for Li primary cells):

00 = 2.2 V  
 01 = 2.3 V  
 10 = 2.4 V  
 11 = 2.5 V

Bit 0 VBAT\_COMP (battery voltage comparator output):

0 = voltage above the threshold  
 1 = voltage below the threshold or comparator disabled

**8.6.6 CHGSTATE Register Address: 06h (read only)**

CHGSTATE	B7	B6	B5	B4	B3	B2	B1	B0
Bit name and function	CH_SLEEP	CH_RESET	CH_IDLE	CH_PRECH	CH_CC_CV	CH_LDO	CH_FAULT	CH_SUSP
Default	X	X	X	X	X	X	X	X
Read/write	R	R	R	R	R	R	R	R

- Bit 7      **CH\_SLEEP:**  
 0 = charger is not in sleep state  
 1 = charger is in sleep state
- Bit 6      **CH\_RESET:**  
 0 = charger is not in reset state  
 1 = charger is in reset state
- Bit 5      **CH\_IDLE:**  
 0 = charger is not in idle state  
 1 = charger is in idle state
- Bit 4      **CH\_PRECH:**  
 0 = charger is not in precharge state  
 1 = charger is in precharge state
- Bit 3      **CH\_CC\_CV:**  
 0 = charger is not in constant current mode or constant voltage mode  
 1 = charger is in constant current mode or constant voltage mode
- Bit 2      **CH\_LDO:**  
 0 = charger is not in LDO mode  
 1 = charger is in LDO mode
- Bit 1      **CH\_FAULT:**  
 0 = charger is not in fault state  
 1 = charger is in fault state
- Bit 0      **CH\_SUSP:**  
 0 = charger is not in suspend state  
 1 = charger is in suspend state

**8.6.7 DEFDCDC1 Register Address: 07h (read/write)**

DEFDCDC1	B7	B6	B5	B4	B3	B2	B1	B0
Bit name and function	HOLD_DCDC1	DCDC_DISCH	DCDC1[5]	DCDC1[4]	DCDC1[3]	DCDC1[2]	DCDC1[1]	DCDC1[0]
Default for TPS65720, TPS65721	0	0	1	0	1	0	0	1
Default for TPS657201	0	0	1	0	0	1	0	1
Default for TPS657202	0	0	1	0	0	1	1	0
Default value loaded by:	UVLO/R	UVLO/R	UVLO/R	UVLO/R	UVLO/R	UVLO/R	UVLO/R	UVLO/R
Read/write	R/W	R/W	R/W	R/W	R/W	R/W	R/W	R/W

Bit 7      **HOLD\_DCDC1:**  
 0 = DCDC1 is disabled when HOLD\_DCDC1 pin is pulled LOW and  $\overline{\text{PB\_IN}}$  is released HIGH  
 1 = DCDC1 stays enabled when HOLD\_DCDC1 pin is pulled LOW and  $\overline{\text{PB\_IN}}$  is released HIGH

Bit 6      **DCDC\_DISCH:**  
 0 = DCDC1 output is not discharged when DCDC1 is disabled  
 1 = DCDC1 output is discharged when DCDC1 is disabled

Bit 5..0    **Output voltage setting for DCDC1:**  
 For reference only: A voltage change in the register will not have an effect on the output voltage for TPS65720 and TPS65721 as the voltage is set by an external resistor divider. Contact TI in case a fixed voltage version is needed.

A voltage change during operation must not exceed 8% of the value set in the register for each I<sup>2</sup>C write access as this may trigger the internal power good comparator and will trigger the Reset of the device. This limitation is only for a voltage step to higher voltages. There is no limitation for programming lower voltages by I<sup>2</sup>C.

	OUTPUT VOLTAGE [V]	B5	B4	B3	B2	B1	B0
0	0.800	0	0	0	0	0	0
1	0.825	0	0	0	0	0	1
2	0.850	0	0	0	0	1	0
3	0.875	0	0	0	0	1	1
4	0.900	0	0	0	1	0	0
5	0.925	0	0	0	1	0	1
6	0.950	0	0	0	1	1	0
7	0.975	0	0	0	1	1	1
8	1.000	0	0	1	0	0	0
9	1.025	0	0	1	0	0	1
10	1.050	0	0	1	0	1	0
11	1.075	0	0	1	0	1	1
12	1.100	0	0	1	1	0	0
13	1.125	0	0	1	1	0	1
14	1.150	0	0	1	1	1	0
15	1.175	0	0	1	1	1	1
16	1.200	0	1	0	0	0	0
17	1.225	0	1	0	0	0	1
18	1.250	0	1	0	0	1	0



	OUTPUT VOLTAGE [V]	B5	B4	B3	B2	B1	B0
19	1.275	0	1	0	0	1	1
20	1.300	0	1	0	1	0	0
21	1.325	0	1	0	1	0	1
22	1.350	0	1	0	1	1	0
23	1.375	0	1	0	1	1	1
24	1.400	0	1	1	0	0	0
25	1.425	0	1	1	0	0	1
26	1.450	0	1	1	0	1	0
27	1.475	0	1	1	0	1	1
28	1.500	0	1	1	1	0	0
29	1.525	0	1	1	1	0	1
30	1.550	0	1	1	1	1	0
31	1.575	0	1	1	1	1	1
32	1.600	1	0	0	0	0	0
33	1.650	1	0	0	0	0	1
34	1.700	1	0	0	0	1	0
35	1.750	1	0	0	0	1	1
36	1.800	1	0	0	1	0	0
37	1.850	1	0	0	1	0	1
38	1.900	1	0	0	1	1	0
39	1.950	1	0	0	1	1	1
40	2.000	1	0	1	0	0	0
41	2.050	1	0	1	0	0	1
42	2.100	1	0	1	0	1	0
43	2.150	1	0	1	0	1	1
44	2.200	1	0	1	1	0	0
45	2.250	1	0	1	1	0	1
46	2.300	1	0	1	1	1	0
47	2.350	1	0	1	1	1	1
48	2.400	1	1	0	0	0	0
49	2.450	1	1	0	0	0	1
50	2.500	1	1	0	0	1	0
51	2.550	1	1	0	0	1	1
52	2.600	1	1	0	1	0	0
53	2.650	1	1	0	1	0	1
54	2.700	1	1	0	1	1	0
55	2.750	1	1	0	1	1	1
56	2.800	1	1	1	0	0	0
57	2.850	1	1	1	0	0	1
58	2.900	1	1	1	0	1	0
59	2.950	1	1	1	0	1	1
60	3.000	1	1	1	1	0	0
61	3.100	1	1	1	1	0	1
62	3.200	1	1	1	1	1	0
63	3.300	1	1	1	1	1	1

**8.6.8 LDO\_CTRL Register Address: 08h (read/write)**

LDO_CTRL	B7	B6	B5	B4	B3	B2	B1	B0
Bit name and function	HOLD_LDO1	LDO1_DISCH	LDO1[5]	LDO1[4]	LDO1[3]	LDO1[2]	LDO1[1]	LDO1[0]
Default except TPS657202	0	1	1	0	0	1	0	1
Default for TPS657202	0	1	1	1	1	0	0	1
Default value loaded by:	UVLO/R	UVLO/R	UVLO/R	UVLO/R	UVLO/R	UVLO/R	UVLO/R	UVLO/R
Read/write	R/W	R/W	R/W	R/W	R/W	R/W	R/W	R/W

- Bit 7 **HOLD\_LDO1:**  
 0 = LDO1 is disabled when HOLD\_LDO1 pin is pulled LOW and  $\overline{\text{PB\_IN}}$  is released HIGH  
 1 = LDO1 stays enabled when HOLD\_LDO1 pin is pulled LOW and  $\overline{\text{PB\_IN}}$  is released HIGH
- Bit 6 **LDO1\_DISCH:**  
 0 = LDO1 output is not discharged when LDO1 is disabled  
 1 = LDO1 output is discharged when LDO1 is disabled
- Bit 5..0 **LDO1 output voltage setting according to the table listed for DCDC1:**  
 The voltage setting is only valid for TPS65720. For TPS65721, the LDO1 voltage is set by an external resistor-divider. The voltage setting is according to the same table given for DEFDCDC1.

**8.6.9 CONTROL0 Register Address: 09h (read/write)**

CONTROL0	B7	B6	B5	B4	B3	B2	B1	B0
Bit name and function	F_PWM	PGOODZ_DCDC1	PGOODZ_LDO1					
Default	0	PGOODDCDC1	PGOODLDO1	0	0	0	0	0
Default value loaded by:	UVLO/R							
Read/write	R/W	R	R	R	R	R	R	R

- Bit 7 **F\_PWM:**  
 0 = DC-DC converter is in PWM/PFM mode  
 1 = DC-DC converter is in forced PWM mode
- Bit 6 **PGOODZ\_DCDC1:**  
 0 = indicates that the DC-DC converters output voltage is within its nominal range  
 1 = range indicates that the DC-DC converters output voltage is below the target regulation voltage or disabled
- Bit 5 **PGOODZ\_LDO1:**  
 0 = indicates that the LDO1 output voltage is within its nominal range  
 1 = indicates that the LDO1 output voltage is below the target regulation voltage or disabled

**8.6.10 CONTROL1 Register Address: 0Ah (read/write)**

CONTROL1	B7	B6	B5	B4	B3	B2	B1	BO
Bit name and function			HOLD	PB_STAT		OPAMP_MUX	OPAMP_EN	RESET_DELAY
Default	0	0	0		0	1	0	1
Default value loaded by:			UVLO/R	UVLO/R		UVLO/R	UVLO/R	UVLO/R
Read/write	R	R	R	R/W	R	R/W	R/W	R/W

- Bit 5 HOLD (ORed with  $\overline{\text{PB\_IN}}$ ):  
 0 = DCDC1 and LDO1 switched off  
 1 = DCDC1 and LDO1 enabled
- Bit 4 PB\_STAT (push-button status, after debounce):  
 0 = push-button not pressed  
 1 = push-button pressed
- Bit 2 OPAMP\_MUX (only for TPS657201):  
 0 = battery voltage measurement  
 1 = temperature measurement
- Bit 1 OPAMP\_EN (only for TPS657201):  
 0 = OPAMP and MUX disabled; enabled automatically if <CH\_PG00D> = 1  
 1 = OPAMP and MUX enabled
- Bit 0 RESET\_DELAY:  
 0 = 11 ms  
 1 = 90 ms

**8.6.11 GPIO\_SSC Register Address: 0Bh (read/write)**

GPIO_SSC	B7	B6	B5	B4	B3	B2	B1	BO
Bit name and function					GPIO3	GPIO2	GPIO1	GPIO0
Default	0	0	0	0	1	1	1	1
Default value loaded by:					UVLO/R	UVLO/R	UVLO/R	UVLO/R
Read/write	R	R	R	R/W	R	R	R	R/W

- Bit 3 GPIO3:  
 0 = data in input buffer / actively pulled low when configured as an output or LED driver enabled  
 1 = data in input buffer / high impedance when configured as an output or LED driver
- Bit 2 GPIO2:  
 0 = data in input buffer / actively pulled low when configured as an output or LED driver enabled  
 1 = data in input buffer / high impedance when configured as an output or LED driver
- Bit 1 GPIO1:  
 0 = data in input buffer / actively pulled low when configured as an output  
 1 = data in input buffer / high impedance when configured as an output
- Bit 0 GPIO0:  
 0 = data in input buffer / actively pulled low when configured as an output  
 1 = data in input buffer / high impedance when configured as an output

**8.6.12 GPIODIR Register Address: 0Ch (read/write)**

<b>GPIODIR</b>	<b>B7</b>	<b>B6</b>	<b>B5</b>	<b>B4</b>	<b>B3</b>	<b>B2</b>	<b>B1</b>	<b>B0</b>
Bit name and function	GPIO3_LED	GPIO2_LED			GPIO3_DIR	GPIO2_DIR	GPIO1_DIR	GPIO0_DIR
Default	1	1	1	1	0	0	1	1
Default value loaded by:	UVLO/R	UVLO/R			UVLO/R	UVLO/R	UVLO/R	UVLO/R
Read/write	R/W	R/W	R	R	R/W	R/W	R/W	R/W

- Bit 7    **GPIO3\_LED:**  
 0 = GPIO3 is configured as a standard GPIO  
 1 = GPIO3 is configured as 5-mA LED driver
- Bit 6    **GPIO2\_LED:**  
 0 = GPIO2 is configured as a standard GPIO  
 1 = GPIO2 is configured as 5-mA LED driver
- Bit 3    **GPIO3\_DIR:**  
 0 = GPIO3 is configured as an output / LED driver  
 1 = GPIO3 is configured as an input
- Bit 2    **GPIO2\_DIR:**  
 0 = GPIO2 is configured as an output / LED driver  
 1 = GPIO2 is configured as an input
- Bit 1    **GPIO1\_DIR:**  
 0 = GPIO1 is configured as an output  
 1 = GPIO1 is configured as an input
- Bit 0    **GPIO0\_DIR:**  
 0 = GPIO0 is configured as an output  
 1 = GPIO0 is configured as an input

**8.6.13 IRMASK0 Register Address: 0Dh (read/write)**

<b>IRMASK0</b>	<b>B7</b>	<b>B6</b>	<b>B5</b>	<b>B4</b>	<b>B3</b>	<b>B2</b>	<b>B1</b>	<b>B0</b>
Bit name and function	M_TS_HOT	M_TS_COLD	M_OVP	Reserved	M_CH_ACTIVE	M_CH_PGOOD	M_VBAT_COMP	M_THLOOP
Default	1	1	1	1	1	1	1	1
Default value loaded by:	UVLO/R	UVLO/R	UVLO/R	UVLO/R	UVLO/R	UVLO/R	UVLO/R	UVLO/R
Read/write	R/W	R/W	R/W	R/W	R/W	R/W	R/W	R/W

- Bit 7..0    **charger interrupt mask register:**  
 0 = Interrupt not masked  
 1 = Interrupt masked (no interrupt based on the event)

### 8.6.14 IRMASK1 Register Address: 0Eh (read/write)

IRMASK1	B7	B6	B5	B4	B3	B2	B1	BO
Bit name and function	M_CH_SLEEP	M_CH_RESET	M_CH_IDLE	M_CH_PRECH	M_CH_CC_CV	M_CH_LDO	M_CH_FAULT	M_CH_SUSP
Default	1	1	1	1	1	1	1	1
Default value loaded by:	UVLO/R	UVLO/R	UVLO/R	UVLO/R	UVLO/R	UVLO/R	UVLO/R	UVLO/R
Read/write	R/W	R/W	R/W	R/W	R/W	R/W	R/W	R/W

Bit 7..0 charger state interrupt mask register:  
0 = Interrupt not masked  
1 = Interrupt masked (no interrupt based on the event)

### 8.6.15 IRMASK2 Register Address: 0Fh (read/write)

IRMASK2	B7	B6	B5	B4	B3	B2	B1	BO
Bit name and function	M_GPIO3	M_GPIO2	M_GPIO1	M_GPIO0	M_PGOODZ_DCDC1	M_PGOODZ_LDO1	M_PB_STAT	
Default	1	1	1	1	1	1	1	1
Default value loaded by:	UVLO/R	UVLO/R	UVLO/R	UVLO/R	UVLO/R	UVLO/R	UVLO/R	
Read/write	R/W	R/W	R/W	R/W	R/W	R/W	R/W	R

Bit 7..0 charger state interrupt mask register:  
0 = Interrupt not masked  
1 = Interrupt masked (no interrupt based on the event)

### 8.6.16 IR0 Register Address: 10h (read only)

IR0	B7	B6	B5	B4	B3	B2	B1	BO
Bit name and function	TS_HOT	TS_COLD	OVP	Reserved	CH_ACTIVE	CH_PGOOD	VBAT_COMP	TH_LOOP
Default	0	0	0	0	0	0	0	0
Default value loaded by:	UVLO/R	UVLO/R	UVLO/R	UVLO/R	UVLO/R	UVLO/R	UVLO/R	UVLO/R
Set by:	Rising edge of TS_HOT	Rising edge of TS_COLD	Rising edge of OVP	Reserved	Rising edge and falling edge of CH_ACTIVE	Rising edge and falling edge of CH_PGOOD	Rising edge of VBAT_COMP*	Rising edge of TH_LOOP
Read/write	R	R	R	R	R	R	R	R

Bit 7..2 interrupt register:  
0 = no interrupt  
1 = Interrupt occurred (cleared when read); interrupt not masked in register IRMASK0

The VBAT\_COMP interrupt is automatically disabled when the battery voltage comparator is disabled by clearing Bit 1 in register 04h (VBAT\_COMP\_EN)

**8.6.17 IR1 Register Address: 11h (read)**

IR1	B7	B6	B5	B4	B3	B2	B1	BO
Bit name and function	CH_SLEEP	CH_RESET	CH_IDLE	CH_PRECH	CH_CC_CV	CH_LDO	CH_FAULT	CH_SUSP
Default	0	0	0	0	0	0	0	0
Default value loaded by:	UVLO/R	UVLO/R	UVLO/R	UVLO/R	UVLO/R	UVLO/R	UVLO/R	UVLO/R
Set by:	Rising edge of CH_SLEEP	Rising edge of CH_RESET	Rising edge of CH_IDLE	Rising edge of CH_PRECH	Rising edge of CH_CC_CV	Rising edge of CH_LDO	Rising edge of VBAT_FAULT*	Rising edge of TH_SUSP
Read/write	R	R	R	R	R	R	R	R

Bit 7..0 interrupt register:  
 0 = no interrupt  
 1 = Interrupt occurred (cleared when read); interrupt not masked in register IRMASK1

**8.6.18 IR2 Register Address: 12h (read)**

IR2	B7	B6	B5	B4	B3	B2	B1	BO
Bit name and function	GPIO3	GPIO2	GPIO1	GPIO0	PGOODZ_DCDC1	PGOODZ_LDO1	PB_STAT	
Default	0	0	0	0	0	0	0	0
Default value loaded by:	UVLO/R	UVLO/R	UVLO/R	UVLO/R	UVLO/R	UVLO/R	UVLO/R	
Set by:	Rising and falling edge of GPIO3	Rising and falling edge of GPIO2	Rising and falling edge of GPIO1	Rising and falling edge of GPIO0	Rising edge of PGOODZ_DCDC1	Rising edge of PGOODZ_LDO1	Rising and falling edge of PB_STAT	
Read/write	R	R	R	R	R	R	R	R

Bit 7..4 GPIO interrupt register:  
 0 = GPIO status did not change  
 1 = GPIO status changed; cleared when read; interrupt not masked in register IRMASK2

Bit 3..2 power good interrupt register:  
 0 = no interrupt (power good)  
 1 = interrupt occurred (output voltage of DCDC converter or LDO too low); cleared when read

Bit 1 PB\_STAT interrupt register:  
 0 = no interrupt  
 1 = interrupt occurred; cleared when read; interrupt not masked in register IRMASK2

## 9 Application and Implementation

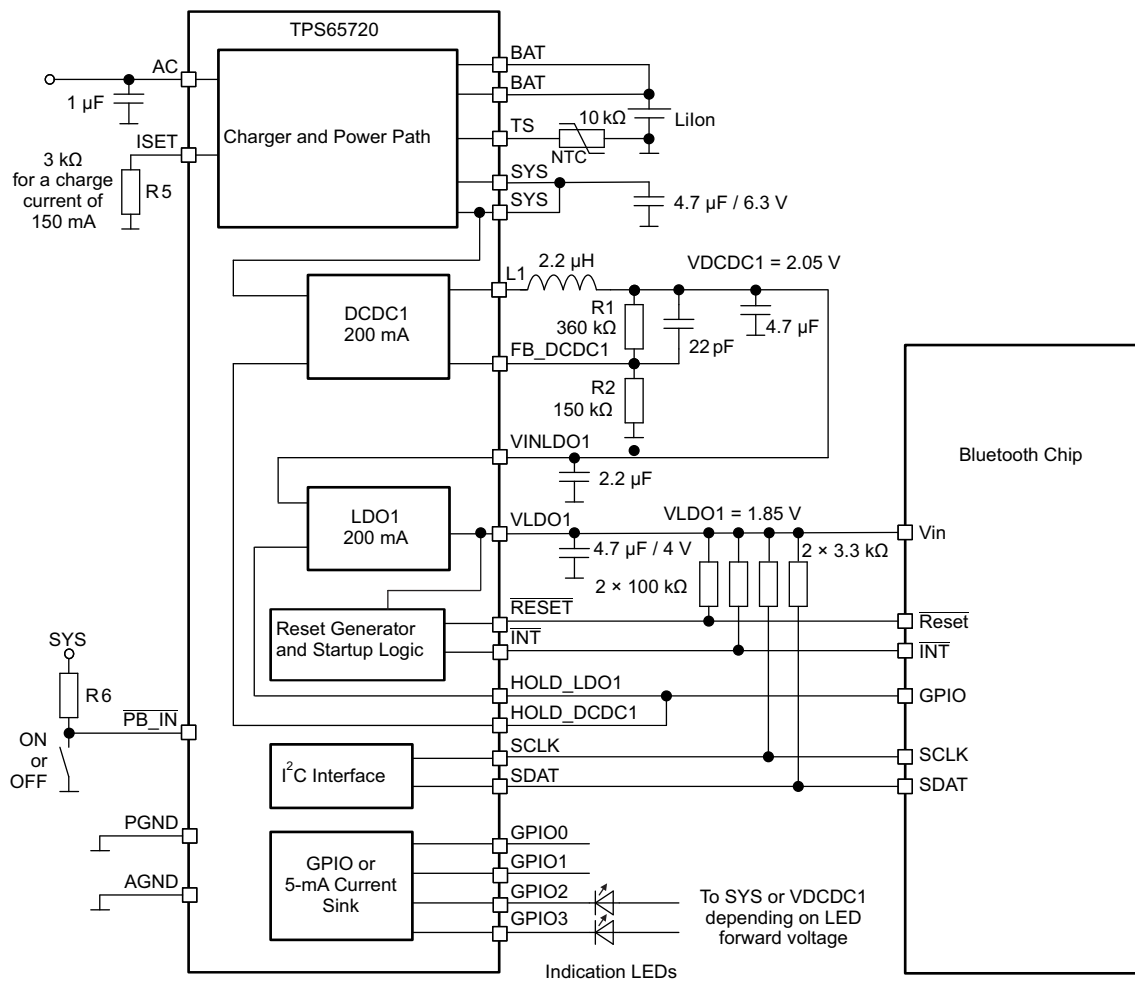
### NOTE

Information in the following applications sections is not part of the TI component specification, and TI does not warrant its accuracy or completeness. TI's customers are responsible for determining suitability of components for their purposes. Customers should validate and test their design implementation to confirm system functionality.

### 9.1 Application Information

The intended applications for the TPS6572x device are small handheld or wearable devices powered from a single cell Lithium-Ion battery. The input path current limit is great for charging from USB sources by allowing the selection between 100-mA or 500-mA input supply current.

### 9.2 Typical Application



Copyright © 2016, Texas Instruments Incorporated

Figure 23. Typical Bluetooth Application

## Typical Application (continued)

### 9.2.1 Design Requirements

With only a handful of required components to operate the TPS6572x, designing with the TPS6572x is easy. After setting the output voltage of both the LDO and DC-DC, it is required to select appropriate output filter in-order to ensure best operation of the DC-DC. The TPS6572x requires appropriate input and output capacitors for the DC-DC and LDO. The battery charger requires the charge current to be set by the use a resistor and may require an NTC thermistor at the battery.

For noise sensitive devices it is required to use a larger inductance value in-order to reduce the output ripple. Cascading the LDO from the DC-DC is great technique to reduce noise injected into the load and maintaining the high efficiency step-down from the DC-DC input to the LDO output.

### 9.2.2 Detailed Design Procedure

#### 9.2.2.1 Output Voltage Setting

##### 9.2.2.1.1 DCDC1

For TPS65720 and TPS65721, the output voltage of the DCDC converter can be set with external resistor network on Pin FB\_DCDC1. The feedback voltage is 0.6 V.

TI recommends setting the total resistance of R1 + R2 to less than 1 MΩ. Route the FB\_DCDC1 trace separate from noise sources, such as the inductor trace (L1).

$$V_{\text{FB-DCDC1}} = 0.6 \text{ V}$$

$$V_{\text{OUT}} = V_{\text{FB\_DCDC1}} \times \frac{R1 + R2}{R2} \quad R1 = R2 \times \left( \frac{V_{\text{OUT}}}{V_{\text{FB\_DCDC1}}} \right) - R2 \quad (3)$$

**Table 3. Typical Resistor Values**

OUTPUT VOLTAGE	R1	R2	NOMINAL VOLTAGE
3.3 V	680 kΩ	150 kΩ	3.32 V
3 V	510 kΩ	130 kΩ	2.95 V
2.85 V	560 kΩ	150 kΩ	2.84 V
2.5 V	510 kΩ	160 kΩ	2.51 V
2.05 V	360 kΩ	150 kΩ	2.04 V
2 V	470 kΩ	200 kΩ	2.01 V
1.8 V	300 kΩ	150 kΩ	1.8 V
1.6 V	200 kΩ	120 kΩ	1.6 V
1.5 V	300 kΩ	200 kΩ	1.5 V
1.2 V	330 kΩ	330 kΩ	1.2 V

A feedforward capacitor in parallel to the resistor from Vout to FB\_DCDC1 is required. Its value should be based on transient performance and will be in the range from 4.7 pF to 22 pF.

For TPS657201, the output voltage of DCDC1 is fixed at 1.85 V per default and can be changed in register DEFDCDC1. For TPS657202, the default output voltage is 1.9 V. The feedback connection has to be made from pin FB\_DCDC1 to the output capacitor directly. A voltage change to a higher voltage needs to be accomplished in steps of 8% maximum otherwise the power-good comparator will detect a too low voltage, will trigger and generate a reset. There is no limitation in programming output voltages to lower values.

##### 9.2.2.1.2 LDO1

For TPS65720 and TPS657201, the default output voltage is 1.85 V while the default output voltage is 2.85 V for TPS657202, defined by register LDO\_CTRL. The programmable voltage range is 0.8 V to 3.3 V. A voltage change to a higher voltage needs to be accomplished in steps of 8% maximum otherwise the power-good comparator will detect a too low voltage, will trigger and generate a reset. There is no limitation in programming output voltages to lower values.



For the TPS65721, the output voltage for LDO1 is externally adjustable using a resistor-divider at pin FB\_LDO1. The feedback voltage is 0.8 V and the total resistance of the voltage divider should be kept in the 100-kΩ to 1-MΩ range. A feed-forward capacitor in parallel to the resistor from Vout to FB\_LDO1 is required. Its value should be based on transient performance and will be in the range from 4.7 pF to 22 pF.

The output voltage with an internal reference voltage  $V_{FB\_LDO1} = 0.8\text{ V}$  is calculated by [Equation 4](#):

$$V_{OUT} = V_{FB\_LDO1} \times \frac{R3 + R4}{R4} \quad R3 = R4 \times \left( \frac{V_{OUT}}{V_{FB\_LDO1}} \right) - R4 \quad (4)$$

**Table 4. Typical Resistor Values**

OUTPUT VOLTAGE	R3	R4	NOMINAL VOLTAGE
3.3 V	470 kΩ	150 kΩ	3.31 V
1.85 V	200 kΩ	150 kΩ	1.86 V
1.8 V	300 kΩ	240 kΩ	1.80 V

### 9.2.2.2 Output Filter Design (Inductor and Output Capacitor)

#### 9.2.2.2.1 Inductor Selection

The converter operates typically with 3.3-μH output inductor. Larger or smaller inductor values can be used to optimize the performance of the device for specific operation conditions. The selected inductor has to be rated for its DC resistance and saturation current. The DC resistance of the inductance will influence directly the efficiency of the converter. Therefore an inductor with lowest DC resistance should be selected for highest efficiency.

[Equation 5](#) calculates the maximum inductor current under static load conditions. The saturation current of the inductor should be rated higher than the maximum inductor current as calculated with [Equation 5](#). This is recommended because during heavy load transient the inductor current will rise above the calculated value.

$$\Delta I_L = V_{out} \times \frac{1 - \frac{V_{out}}{V_{in}}}{L \times f} \quad I_{Lmax} = I_{outmax} + \frac{\Delta I_L}{2}$$

where

- f = Switching Frequency (2.25 MHz typical)
- L = Inductor Value
- $\Delta I_L$  = Peak-to-Peak inductor ripple current
- $I_{Lmax}$  = Maximum Inductor current

(5)

The highest inductor current will occur at maximum Vin.

Open core inductors have a soft saturation characteristic and they can usually handle higher inductor currents versus a comparable shielded inductor.

A more conservative approach is to select the inductor current rating just for the maximum switch current of the corresponding converter. It must be considered, that the core material from inductor to inductor differs and will have an impact on the efficiency especially at high switching frequencies.

Refer to [Table 5](#) and the typical applications for possible inductors.

**Table 5. Tested Inductors**

INDUCTOR TYPE	INDUCTOR VALUE	SUPPLIER	COMMENTS
LQM21P	3.3 μH	Murata	For TPS65720
BRC1608T2R2M	2.2 μH	Taiyo Yuden	For TPS65720; Smallest solution size; up to 150 mA of output current
VLS201610ET-2R2M	2.2 μH	TDK	For TPS65720, TPS65721, TPS657201, TPS657202
GLFR1608T2R2M-LR	2.2 μH	TDK	For TPS65720; Smallest solution size; up to 150 mA of output current
MIPSA2520	2.2 μH	FDK	For TPS65721, TPS657201, TPS657202; highest efficiency

### 9.2.2.2.2 Output Capacitor Selection

The advanced Fast Response voltage mode control scheme of the step-down converter allows the use of small ceramic capacitors with a typical value of 10  $\mu\text{F}$ , without having large output voltage under and overshoots during heavy load transients. Ceramic capacitors having low ESR values result in lowest output voltage ripple and are therefore recommended. For an inductor value of 3.3  $\mu\text{H}$ , an output capacitor with 4.7  $\mu\text{F}$  can be used. Refer to recommended components.

If ceramic output capacitors are used, the capacitor RMS ripple current rating will always meet the application requirements. Just for completeness the RMS ripple current is calculated by [Equation 6](#):

$$I_{\text{RMS}C_{\text{out}}} = V_{\text{out}} \times \frac{1 - \frac{V_{\text{out}}}{V_{\text{in}}}}{L \times f} \times \frac{1}{2 \times \sqrt{3}} \quad (6)$$

At nominal load current the inductive converters operate in PWM mode and the overall output voltage ripple is the sum of the voltage spike caused by the output capacitor ESR plus the voltage ripple caused by charging and discharging the output capacitor, as calculated by [Equation 7](#):

$$\Delta V_{\text{out}} = V_{\text{out}} \times \frac{1 - \frac{V_{\text{out}}}{V_{\text{in}}}}{L \times f} \times \left( \frac{1}{8 \times C_{\text{out}} \times f} + \text{ESR} \right) \quad (7)$$

Where the highest output voltage ripple occurs at the highest input voltage  $V_{\text{in}}$ .

At light load currents the converter operates in power save mode and the output voltage ripple is dependent on the output capacitor value. The output voltage ripple is set by the internal comparator delay and the external capacitor. The typical output voltage ripple is less than 1% of the nominal output voltage.

### 9.2.2.2.3 Input Capacitor Selection

Because of the nature of the buck converter having a pulsating input current, a low ESR input capacitor is required for best input voltage filtering and minimizing the interference with other circuits caused by high input voltage spikes (see [Table 6](#)). The converters need a ceramic input capacitor of 4.7  $\mu\text{F}$ . The input capacitor can be increased without any limit for better input voltage filtering.

**Table 6. Tested Capacitors**

TYPE	VALUE	VOLTAGE RATING	SIZE	SUPPLIER	MATERIAL
GRM155R60G475ME47D	4.7 $\mu\text{F}$	4 V	0402	Murata	Ceramic X5R
GRM155R60J225ME15D	2.2 $\mu\text{F}$	6.3 V	0402	Murata	Ceramic X5R
GRM188R60J475K	4.7 $\mu\text{F}$	6.3 V	0603	Murata	Ceramic X5R
GMK107BJ105K	1 $\mu\text{F}$	35 V	0603	Taiyo Yuden	Ceramic X5R

### 9.2.2.3 Charger/Power Path

#### 9.2.2.3.1 Charger Stability

To ensure stable operation of the charger including the power path, a list of components and their recommended value is given in [Table 7](#). These values represent the capacitance or inductance value in the application under the given operating conditions. For example, ceramic capacitors will typically show a drop in capacitance when a DC voltage is applied. Due to this dc bias effect, the capacitance in the applications when voltage is applied is much less than the nominal capacitor value. See the capacitor manufacturer data sheet for derating.

At pin AC, a series inductance of may be used with a values as stated in [Table 7](#).

Pins AC, SYS and BAT have been tested to be stable with the values given in [Table 7](#):

**Table 7. Recommended Components for Charger**

PIN NAME	Cmin (μF)	Cmax (μF)	Lmin (μH)	lmax (μH)
AC	0.1	1	0	2
SYS	1	10	—	—
BAT	0.1	4.7	—	—

#### 9.2.2.3.2 Setting the Charge Current

The charge current is set with an external resistor connected form ISET to GND.

The resulting charge current is calculated by [Equation 8](#):

$$I_{\text{CHARGE}} = \frac{K_{\text{SET}}}{R_{\text{SET}}} \quad R_{\text{SET}} = \frac{K_{\text{SET}}}{I_{\text{SET}}} \quad (8)$$

Additionally, the charge current can be scaled to 100%, 75%, 50%, or 25% of the value set by Rset by software in register CHCONFIG1 using Bits ICH\_SCL[1,0]. Precharge current and termination current is scaled accordingly.

#### 9.2.2.3.3 Dynamic Power Path Management (DPPM)

The charger/power path in TPS6572x contains two different features to ensure there is sufficient power at the load and the input voltage supplying the charger/power path does not collapse.

First there is output voltage DPPM, which is a control loop to keep the voltage at the output of the power path above a certain limit. In TPS6572x, the voltage at the output of the power path (SYS) is regulated to what is defined with VSYS[1,0] in register CHCONFIG0. When the current needed for the load and for charging the battery exceeds the input current limit, the voltage at SYS will collapse. The DPPM loop will reduce the charge current, such that the total current for the load and the charge current equals the input current limit. This is done as soon as the voltage at SYS drops 100 mV below the target voltage.

Second there is input voltage DPPM. For this, the input voltage to the charger/power path at pin AC is sensed to avoid the voltage from a USB port or dedicated charger to drop below a certain limit. This control loop will reduce the input current limit for pin AC as soon as the voltage at AC drops below 4.5 V (typically). With Bits ACinputcurrent[1,0] set to 00 or 01, input voltage DPPM is enabled, with ACinputcurrent=10, input voltage DPPM is disabled.

### 9.2.3 Application Curves

The graphs have been generated on the TPS65720YFF EVM with the inductors as mentioned in the graphs. See the [TPS65720EVM User's Guide](#) for details on the layout.

**Table 8. Table Of Graphs**

		<b>FIGURE</b>
TPS65720: Efficiency DCDC1 vs Load Current / PWM mode 200 mA; L = Murata LQM21P 3.3 $\mu$ H	$V_O = 2.05$ V; $V_I = 3$ V, 3.6 V, 4.2 V, 5 V	<a href="#">Figure 24</a>
TPS65720: Efficiency DCDC1 vs Load Current / PFM mode 200 mA; L = Murata LQM21P 3.3 $\mu$ H	$V_O = 2.05$ V; $V_I = 3$ V, 3.6 V, 4.2 V, 5 V	<a href="#">Figure 25</a>
TPS65720: Efficiency DCDC1 vs Load Current / PWM mode 200 mA; L = FDK MIPS2520 2.2 $\mu$ H	$V_O = 2.05$ V; $V_I = 3$ V, 3.6 V, 4.2 V, 5 V	<a href="#">Figure 26</a>
TPS65720: Efficiency DCDC1 vs Load Current / PFM mode 200 mA; L = FDK MIPS2520 2.2 $\mu$ H	$V_O = 2.05$ V; $V_I = 3$ V, 3.6 V, 4.2 V, 5 V	<a href="#">Figure 27</a>
TPS65721: Efficiency DCDC1 vs Load Current / PWM mode; L = FDK MIPS2520 2.2 $\mu$ H	$V_O = 3.3$ V; $V_I = 3$ V, 3.6 V, 4.2 V, 5 V	<a href="#">Figure 28</a>
TPS65721: Efficiency DCDC1 vs Load Current / PFM mode 500 mA; L = FDK MIPS2520 2.2 $\mu$ H	$V_O = 3.3$ V; $V_I = 3$ V, 3.6 V, 4.2 V, 5 V	<a href="#">Figure 29</a>
TPS65721: Efficiency DCDC1 vs Load Current / PWM mode; L = FDK MIPS2520 2.2 $\mu$ H	$V_O = 1.8$ V; $V_I = 3$ V, 3.6 V, 4.2 V, 5 V	<a href="#">Figure 30</a>
TPS65721: Efficiency DCDC1 vs Load Current / PFM mode 500 mA; L = FDK MIPS2520 2.2 $\mu$ H	$V_O = 1.8$ V; $V_I = 3$ V, 3.6 V, 4.2 V, 5 V	<a href="#">Figure 31</a>
Load Transient Response DCDC1; L = FDK MIPS2520 2.2 $\mu$ H, PFM mode	Scope plot $I_O = 20$ mA to 180 mA; $V_O = 2.05$ V; $V_I = 3.6$ V	<a href="#">Figure 32</a>
Load Transient Response DCDC1; L = FDK MIPS2520 2.2 $\mu$ H, PWM mode	Scope plot $I_O = 50$ $\mu$ A to 60 mA; $V_O = 2.05$ V; $V_I = 3.6$ V	<a href="#">Figure 33</a>
Load Transient Response DCDC1; L = FDK MIPS2520 2.2 $\mu$ H, PWM mode	Scope plot $I_O = 40$ mA to 360 mA; $V_O = 3.3$ V; $V_I = 3.6$ V	<a href="#">Figure 34</a>
Line Transient Response DCDC1; L = FDK MIPS2520 2.2 $\mu$ H, PWM mode	Scope plot; $V_O = 2.05$ V $V_I = 3.6$ V to 5 V to 3.6 V; $I_O = 60$ mA	<a href="#">Figure 35</a>
Output Voltage Ripple in PFM Mode; DCDC1	Scope plot: $V_I = 3.6$ V $V_O = 2.05$ V; $I_O = 50$ $\mu$ A (PFM); $I_O = 60$ mA (PWM)	<a href="#">Figure 36</a>
Output Voltage Ripple in PWM Mode; DCDC1	Scope plot: $V_I = 3.6$ V $V_O = 2.05$ V; $I_O = 60$ mA (PWM)	<a href="#">Figure 37</a>
Load Transient Response LDO1	Scope plot; $V = 1.85$ V; $V_I = 2.05$ V $I = 50$ $\mu$ A to 60 mA to 50 $\mu$ A	<a href="#">Figure 38</a>
Line Transient Response LDO1	Scope plot; $V_O = 1.85$ V; $V_I = 5$ V to 3.6 V to 5 V	<a href="#">Figure 39</a>
Efficiency vs $I_{out}$ for DCDC1 = 2.05 V, LDO1 = 1.85 V, $V_{inLDO} = V_{DCDC1}$		<a href="#">Figure 40</a>

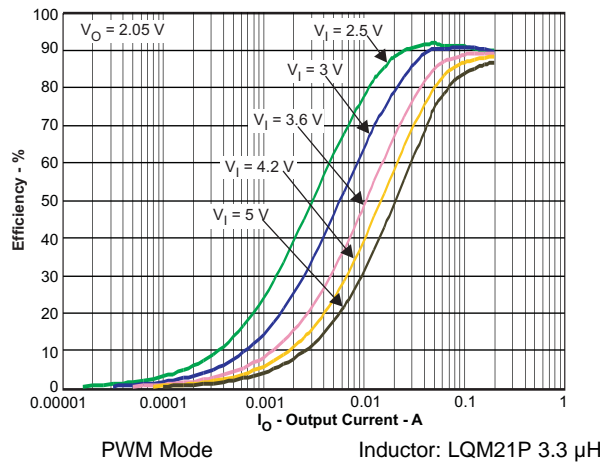


Figure 24. TPS65720 Efficiency of DCDC1 vs Load Current

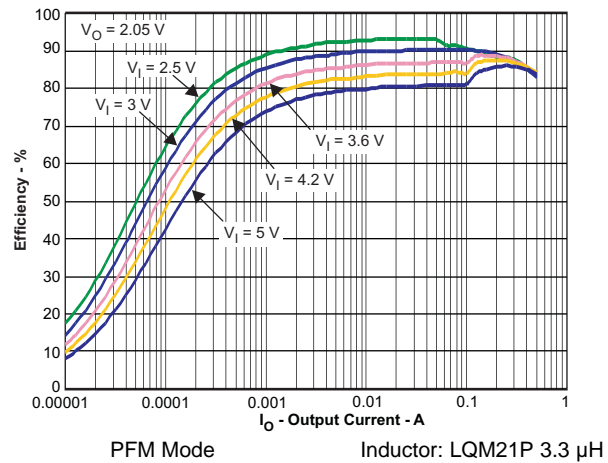


Figure 25. TPS65720 Efficiency of DCDC1 vs Load Current

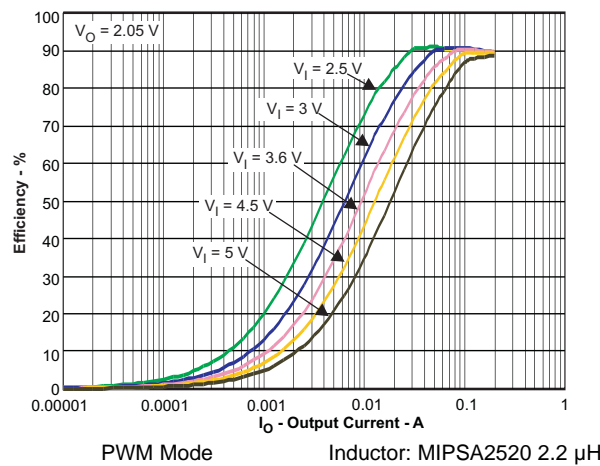


Figure 26. TPS65720 Efficiency of DCDC1 vs Load Current

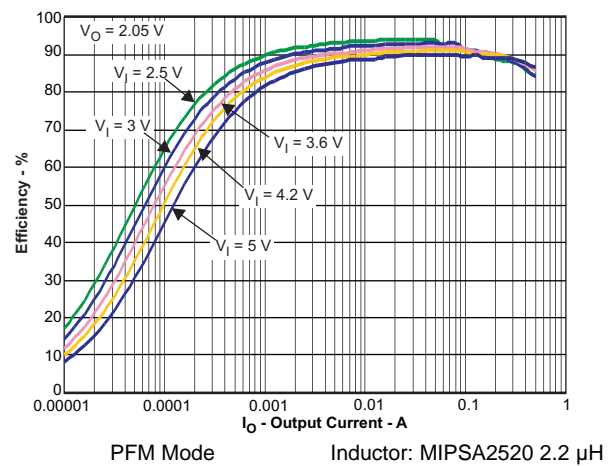


Figure 27. TPS65720 Efficiency of DCDC1 vs Load Current

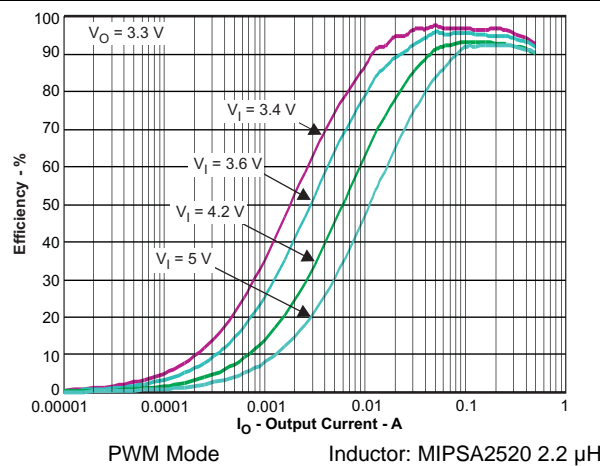


Figure 28. TPS65721 Efficiency of DCDC1 vs Load Current

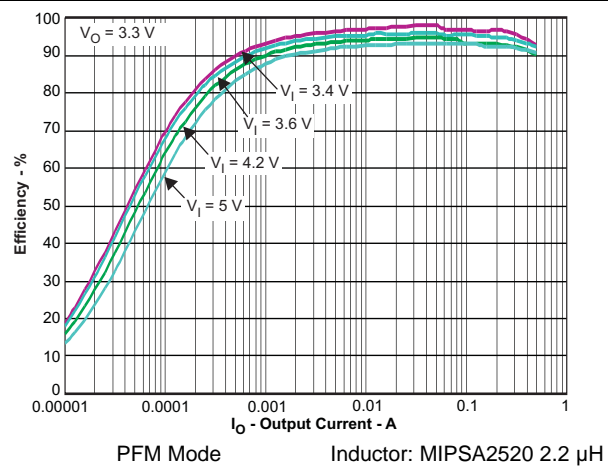


Figure 29. TPS65721 Efficiency of DCDC1 vs Load Current

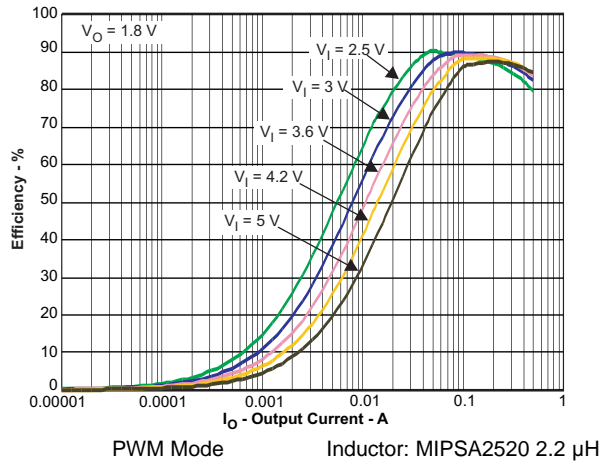


Figure 30. TPS65721 Efficiency of DCDC1 vs Load Current

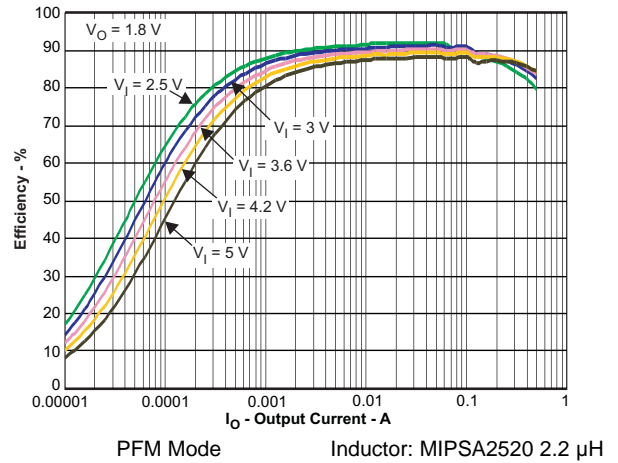


Figure 31. TPS65721 Efficiency of DCDC1 vs Load Current

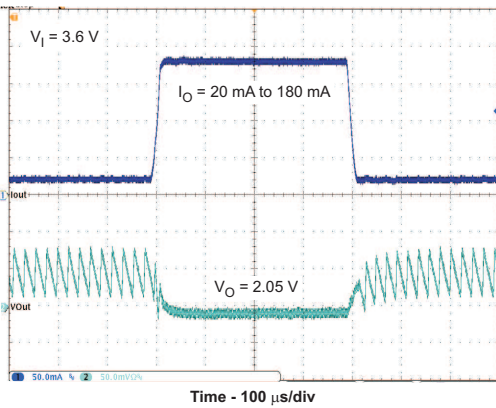


Figure 32. Load Transient Response PFM Mode

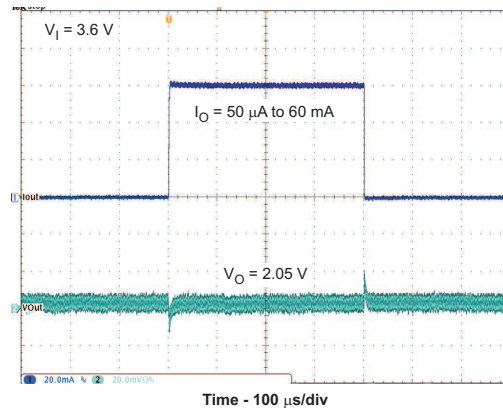


Figure 33. Load Transient Response PWM Mode

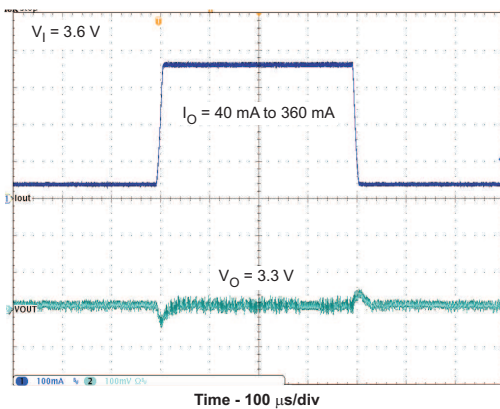


Figure 34. Load Transient Response PWM Mode

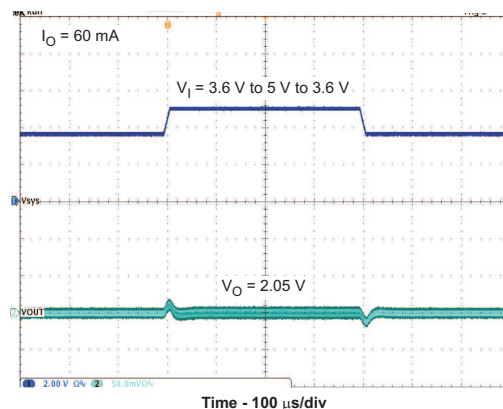


Figure 35. Line Transient Response PWM Mode

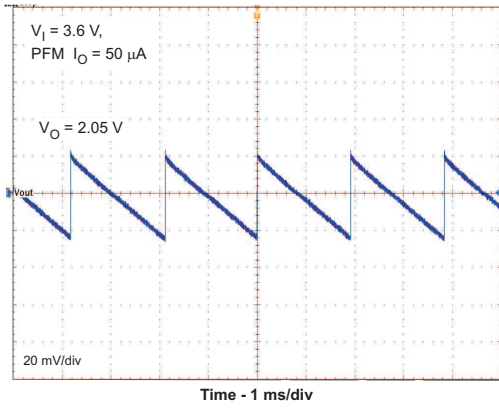


Figure 36. Output Voltage Ripple on DCDC1 PFM Mode

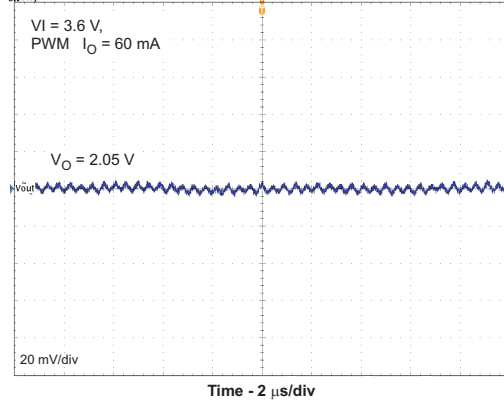


Figure 37. Output Voltage Ripple on DCDC1 PWM Mode

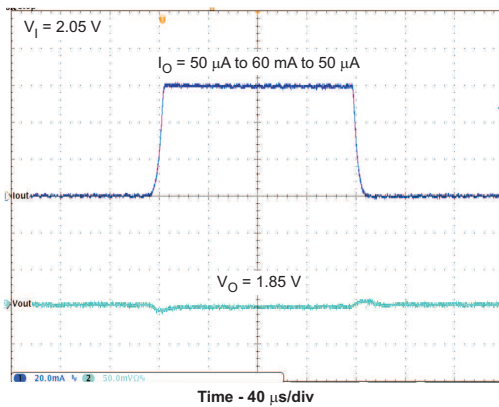


Figure 38. Load Transient Response LDO1

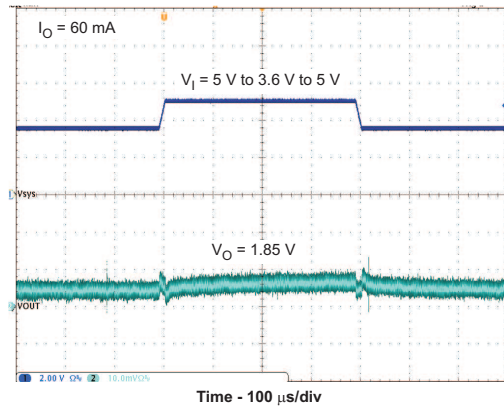
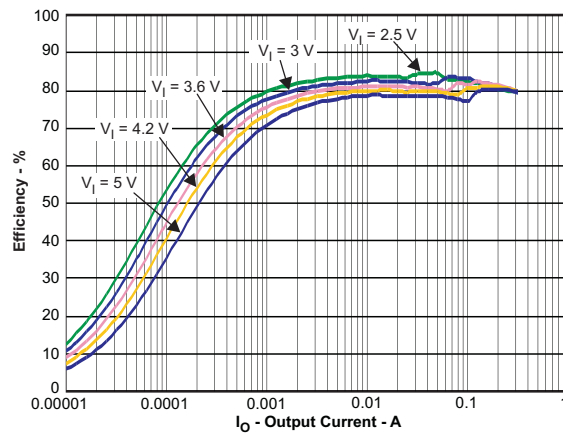


Figure 39. Line Transient Response LDO1



LDO1 powered by DCDC1 with VDCDC1 = 2.05 V VLDO1 = 1.85 V

Figure 40. Efficiency vs Output Current for the Complete System



## 10 Power Supply Recommendations

The TPS6572x device has two paths for input supply, battery and AC adaptor or USB input. The AC pin the main input supply can be operated with a power supply from a USB or AC adaptor. The input voltage on the AC pin is recommended to be operated with a voltage between the  $V_{AC\_LOW}$  and  $V_{OVP}$  of the device for most cases and charging capabilities. The battery can be supplied through the BAT pin and a Li-Ion signal cell battery is recommended for most applications.

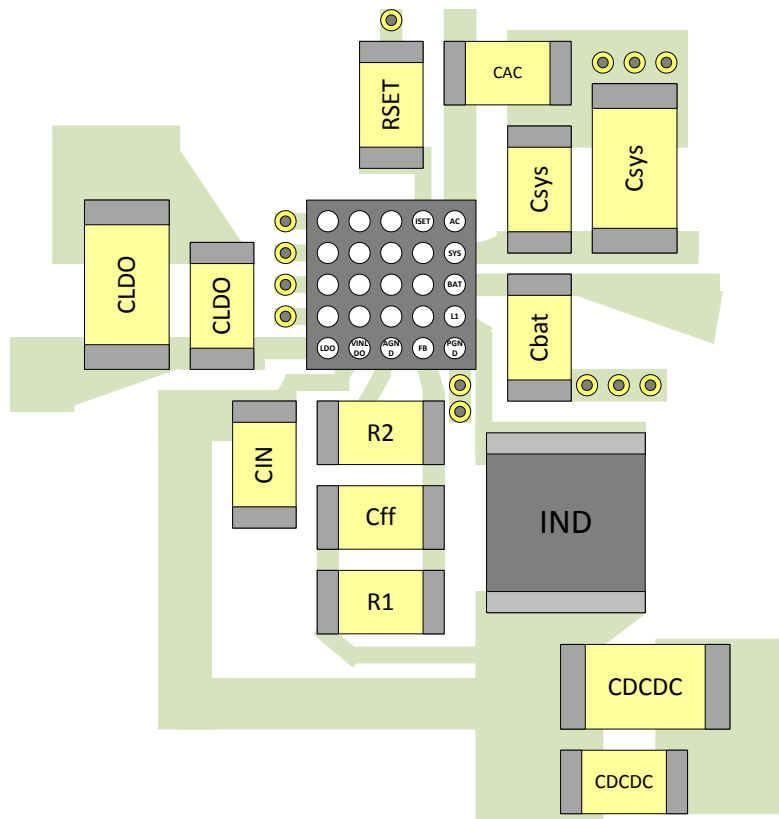
## 11 Layout

### 11.1 Layout Guidelines

As for all switching power supplies, the layout is an important step in the design. Proper function of the device demands careful attention to PCB layout. Care must be taken in board layout to get the specified performance. If the layout is not carefully done, the regulators may show poor line or load regulation, and additional stability issues as well as EMI problems. Providing a low impedance ground path is critical. Therefore, use wide and short traces for the main current paths. The input capacitors must be placed as close as possible to the IC pins as well as the inductor and output capacitor.

For TPS65721, connect the PGND pin of the device to the thermal pad land of the PCB and connect the analog ground connection (GND) to the PGND at the thermal pad. Keep the common path to the GND pin, which returns the small signal components, and the high current of the output capacitors as short as possible to avoid ground noise. The FB line should be connected right to the output capacitor and routed away from noisy components and traces (for example, the L1 line). See the [TPS65720EVM User's Guide](#) for details about the layout.

### 11.2 Layout Example



**Figure 41. Layout Recommendation**



## 12 器件和文档支持

### 12.1 器件支持

#### 12.1.1 第三方产品免责声明

TI 发布的与第三方产品或服务有关的信息，不能构成与此类产品或服务或保修的适用性有关的认可，不能构成此类产品或服务单独或与任何 TI 产品或服务一起的表示或认可。

### 12.2 文档支持

#### 12.2.1 相关文档

请参阅如下相关文档：

- 德州仪器 (TI), [降压转换器功率级的基本计算应用报告](#)
- 德州仪器 (TI), [《动态电源路径管理和动态电源管理》应用报告](#)
- 德州仪器 (TI), [《优化比较器输入端的电阻分压器》应用报告](#)
- 德州仪器 (TI), [《TPS65720EVM用户指南》](#)
- 德州仪器 (TI), [《适用于可穿戴设备和健身设备的 TPS65720 电源管理 IC \(PMIC\)》](#)
- 德州仪器 (TI), [《TPS65721EVM用户指南》](#)
- 德州仪器 (TI), [《了解 SW 节点的绝对最大额定值》应用报告](#)

### 12.3 相关链接

下表列出了快速访问链接。类别包括技术文档、支持与社区资源、工具和软件，以及申请样片或购买产品的快速链接。

表 9. 相关链接

器件	产品文件夹	样片与购买	技术文档	工具与软件	支持和社区
TPS65720	<a href="#">请单击此处</a>	<a href="#">请单击此处</a>	<a href="#">请单击此处</a>	<a href="#">请单击此处</a>	<a href="#">请单击此处</a>
TPS65721	<a href="#">请单击此处</a>	<a href="#">请单击此处</a>	<a href="#">请单击此处</a>	<a href="#">请单击此处</a>	<a href="#">请单击此处</a>

### 12.4 接收文档更新通知

要接收文档更新通知，请导航至 [TI.com.cn](http://TI.com.cn) 上的器件产品文件夹。单击右上角的 [通知我](#) 进行注册，即可每周接收产品信息更改摘要。有关更改的详细信息，请查看任何已修订文档中包含的修订历史记录。

### 12.5 社区资源

下列链接提供到 TI 社区资源的连接。链接的内容由各个分销商“按照原样”提供。这些内容并不构成 TI 技术规范，并且不一定反映 TI 的观点；请参阅 TI 的 [《使用条款》](#)。

**TI E2E™ 在线社区** [TI 的工程师对工程师 \(E2E\) 社区](#)。此社区的创建目的在于促进工程师之间的协作。在 [e2e.ti.com](http://e2e.ti.com) 中，您可以咨询问题、分享知识、拓展思路并与同行工程师一道帮助解决问题。

**设计支持** [TI 参考设计支持](#) 可帮助您快速查找有帮助的 E2E 论坛、设计支持工具以及技术支持的联系信息。

### 12.6 商标

E2E is a trademark of Texas Instruments.

All other trademarks are the property of their respective owners.

### 12.7 静电放电警告



ESD 可能会损坏该集成电路。德州仪器 (TI) 建议通过适当的预防措施处理所有集成电路。如果不遵守正确的处理措施和安装程序，可能会损坏集成电路。

ESD 的损坏小至导致微小的性能降级，大至整个器件故障。精密的集成电路可能更容易受到损坏，这是因为非常细微的参数更改都可能会导致器件与其发布的规格不相符。

## 12.8 术语表

[SLYZ022](#) — TI 术语表。

这份术语表列出并解释术语、缩写和定义。

## 13 机械、封装和可订购信息

以下页面包含机械、封装和可订购信息。这些信息是指定器件的最新可用数据。数据如有变更，恕不另行通知，且不会对此文档进行修订。如需获取此数据表的浏览器版本，请查阅左侧的导航栏。

**PACKAGING INFORMATION**

Orderable part number	Status (1)	Material type (2)	Package   Pins	Package qty   Carrier	RoHS (3)	Lead finish/ Ball material (4)	MSL rating/ Peak reflow (5)	Op temp (°C)	Part marking (6)
<a href="#">TPS657201YFFR</a>	Active	Production	DSBGA (YFF)   25	3000   LARGE T&R	Yes	SNAGCU	Level-1-260C-UNLIM	-40 to 85	TPS657201
TPS657201YFFR.B	Active	Production	DSBGA (YFF)   25	3000   LARGE T&R	Yes	SNAGCU	Level-1-260C-UNLIM	-40 to 85	TPS657201
<a href="#">TPS65720YFFR</a>	Active	Production	DSBGA (YFF)   25	3000   LARGE T&R	Yes	SNAGCU	Level-1-260C-UNLIM	-40 to 85	TPS65720
TPS65720YFFR.B	Active	Production	DSBGA (YFF)   25	3000   LARGE T&R	Yes	SNAGCU	Level-1-260C-UNLIM	-40 to 85	TPS65720
TPS65720YFFT	Active	Production	DSBGA (YFF)   25	250   SMALL T&R	Yes	SNAGCU	Level-1-260C-UNLIM	-40 to 85	TPS65720
TPS65720YFFT.B	Active	Production	DSBGA (YFF)   25	250   SMALL T&R	Yes	SNAGCU	Level-1-260C-UNLIM	-40 to 85	TPS65720
<a href="#">TPS65721RSNR</a>	Active	Production	QFN (RSN)   32	3000   LARGE T&R	Yes	NIPDAU	Level-2-260C-1 YEAR	-40 to 85	TPS 65721
TPS65721RSNR.B	Active	Production	QFN (RSN)   32	3000   LARGE T&R	Yes	NIPDAU	Level-2-260C-1 YEAR	-40 to 85	TPS 65721
<a href="#">TPS65721RSNT</a>	Active	Production	QFN (RSN)   32	250   SMALL T&R	Yes	NIPDAU	Level-2-260C-1 YEAR	-40 to 85	TPS 65721
TPS65721RSNT.B	Active	Production	QFN (RSN)   32	250   SMALL T&R	Yes	NIPDAU	Level-2-260C-1 YEAR	-40 to 85	TPS 65721

(1) **Status:** For more details on status, see our [product life cycle](#).

(2) **Material type:** When designated, preproduction parts are prototypes/experimental devices, and are not yet approved or released for full production. Testing and final process, including without limitation quality assurance, reliability performance testing, and/or process qualification, may not yet be complete, and this item is subject to further changes or possible discontinuation. If available for ordering, purchases will be subject to an additional waiver at checkout, and are intended for early internal evaluation purposes only. These items are sold without warranties of any kind.

(3) **RoHS values:** Yes, No, RoHS Exempt. See the [TI RoHS Statement](#) for additional information and value definition.

(4) **Lead finish/Ball material:** Parts may have multiple material finish options. Finish options are separated by a vertical ruled line. Lead finish/Ball material values may wrap to two lines if the finish value exceeds the maximum column width.

(5) **MSL rating/Peak reflow:** The moisture sensitivity level ratings and peak solder (reflow) temperatures. In the event that a part has multiple moisture sensitivity ratings, only the lowest level per JEDEC standards is shown. Refer to the shipping label for the actual reflow temperature that will be used to mount the part to the printed circuit board.

(6) **Part marking:** There may be an additional marking, which relates to the logo, the lot trace code information, or the environmental category of the part.

Multiple part markings will be inside parentheses. Only one part marking contained in parentheses and separated by a "~" will appear on a part. If a line is indented then it is a continuation of the previous line and the two combined represent the entire part marking for that device.

**Important Information and Disclaimer:** The information provided on this page represents TI's knowledge and belief as of the date that it is provided. TI bases its knowledge and belief on information provided by third parties, and makes no representation or warranty as to the accuracy of such information. Efforts are underway to better integrate information from third parties. TI has taken and continues to take reasonable steps to provide representative and accurate information but may not have conducted destructive testing or chemical analysis on incoming materials and chemicals. TI and TI suppliers consider certain information to be proprietary, and thus CAS numbers and other limited information may not be available for release.

In no event shall TI's liability arising out of such information exceed the total purchase price of the TI part(s) at issue in this document sold by TI to Customer on an annual basis.

**TAPE AND REEL INFORMATION**

**QUADRANT ASSIGNMENTS FOR PIN 1 ORIENTATION IN TAPE**


\*All dimensions are nominal

Device	Package Type	Package Drawing	Pins	SPQ	Reel Diameter (mm)	Reel Width W1 (mm)	A0 (mm)	B0 (mm)	K0 (mm)	P1 (mm)	W (mm)	Pin1 Quadrant
TPS657201YFFR	DSBGA	YFF	25	3000	180.0	8.4	2.38	2.4	0.8	4.0	8.0	Q1
TPS65720YFFR	DSBGA	YFF	25	3000	180.0	8.4	2.38	2.4	0.8	4.0	8.0	Q1
TPS65720YFFT	DSBGA	YFF	25	250	180.0	8.4	2.38	2.4	0.8	4.0	8.0	Q1
TPS65721RSNR	QFN	RSN	32	3000	330.0	12.4	4.25	4.25	1.15	8.0	12.0	Q2
TPS65721RSNT	QFN	RSN	32	250	180.0	12.4	4.25	4.25	1.15	8.0	12.0	Q2

**TAPE AND REEL BOX DIMENSIONS**


\*All dimensions are nominal

Device	Package Type	Package Drawing	Pins	SPQ	Length (mm)	Width (mm)	Height (mm)
TPS657201YFFR	DSBGA	YFF	25	3000	182.0	182.0	20.0
TPS65720YFFR	DSBGA	YFF	25	3000	182.0	182.0	20.0
TPS65720YFFT	DSBGA	YFF	25	250	182.0	182.0	20.0
TPS65721RSNR	QFN	RSN	32	3000	353.0	353.0	32.0
TPS65721RSNT	QFN	RSN	32	250	213.0	191.0	35.0

## GENERIC PACKAGE VIEW

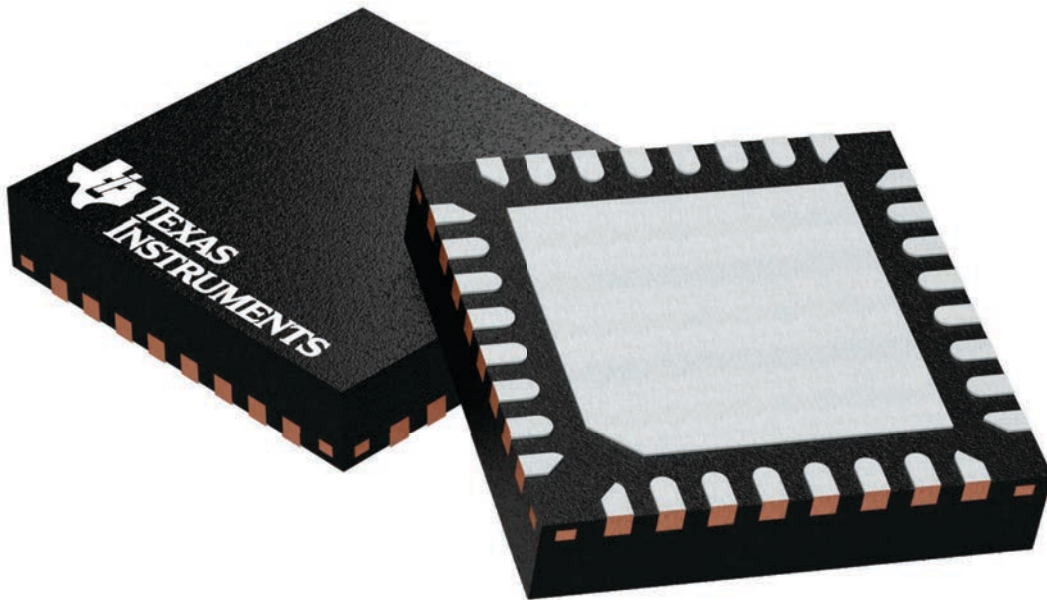
**RSN 32**

**WQFN - 0.8 mm max height**

4 x 4, 0.4 mm pitch

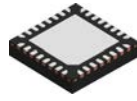
PLASTIC QUAD FLATPACK - NO LEAD

This image is a representation of the package family, actual package may vary.  
Refer to the product data sheet for package details.



4225265/A

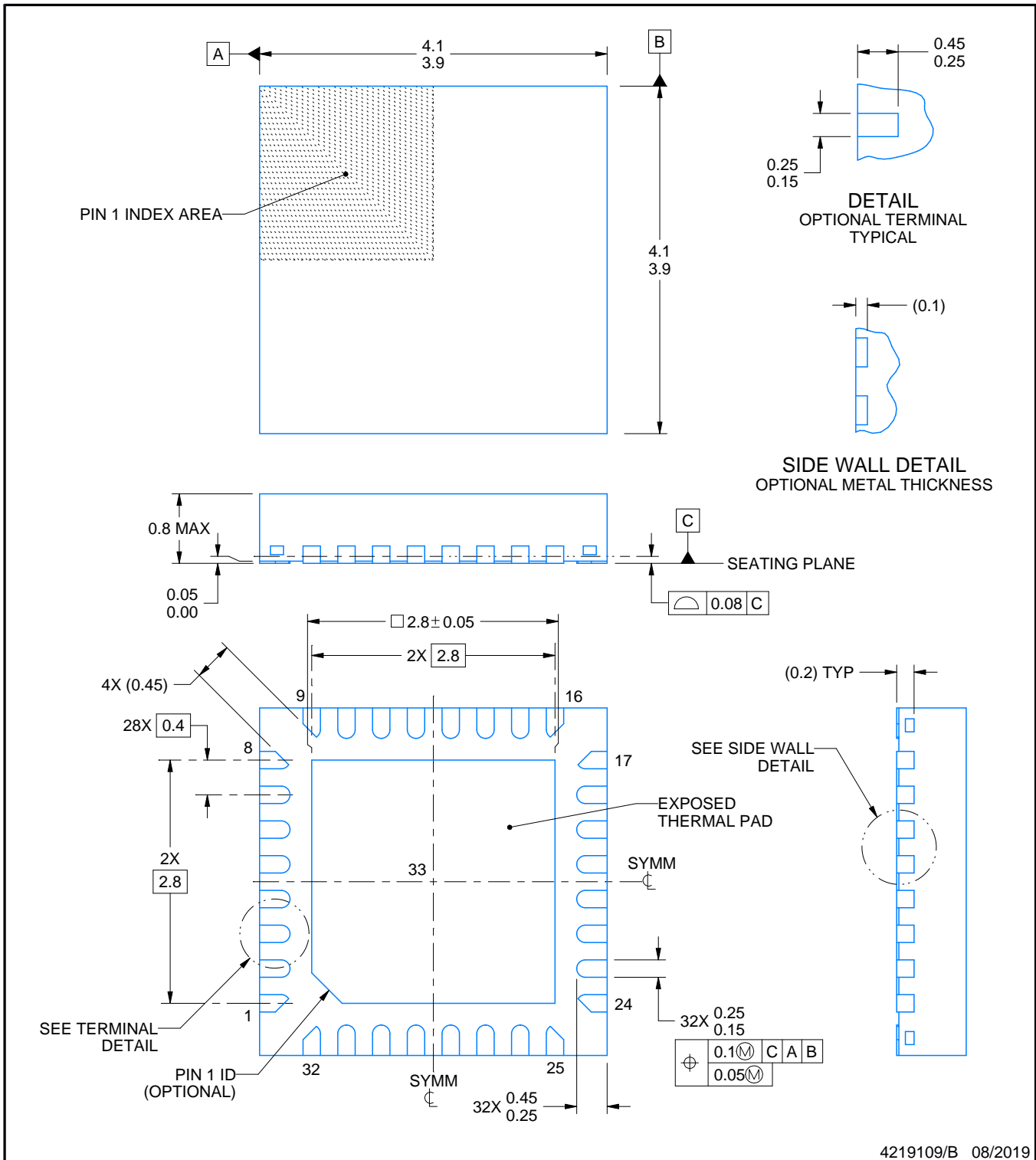
# RSN0032B



# PACKAGE OUTLINE

## WQFN - 0.8 mm max height

PLASTIC QUAD FLATPACK - NO LEAD



4219109/B 08/2019

### NOTES:

1. All linear dimensions are in millimeters. Any dimensions in parenthesis are for reference only. Dimensioning and tolerancing per ASME Y14.5M.
2. This drawing is subject to change without notice.
3. The package thermal pad must be soldered to the printed circuit board for thermal and mechanical performance.

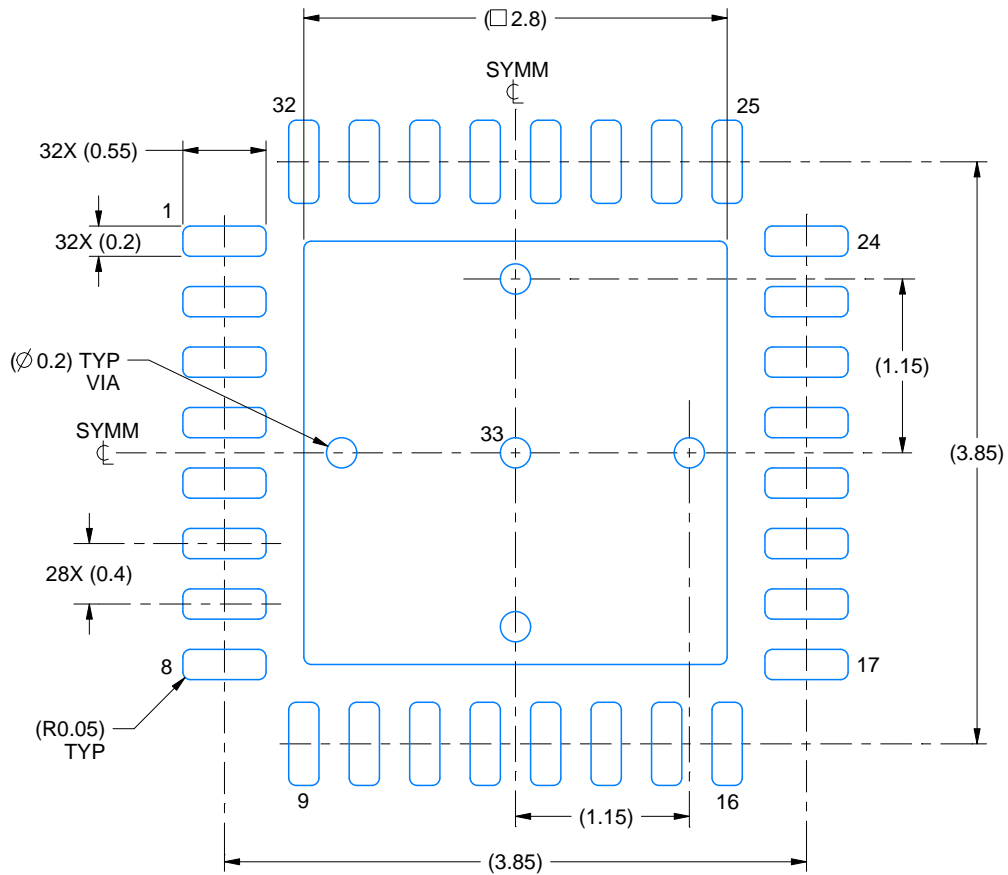


# EXAMPLE BOARD LAYOUT

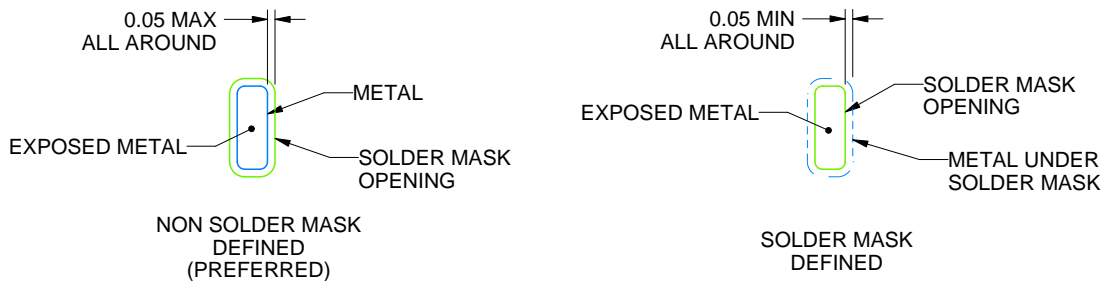
RSN0032B

WQFN - 0.8 mm max height

PLASTIC QUAD FLATPACK - NO LEAD



LAND PATTERN EXAMPLE  
EXPOSED METAL SHOWN  
SCALE:20X



SOLDER MASK DETAILS

4219109/B 08/2019

NOTES: (continued)

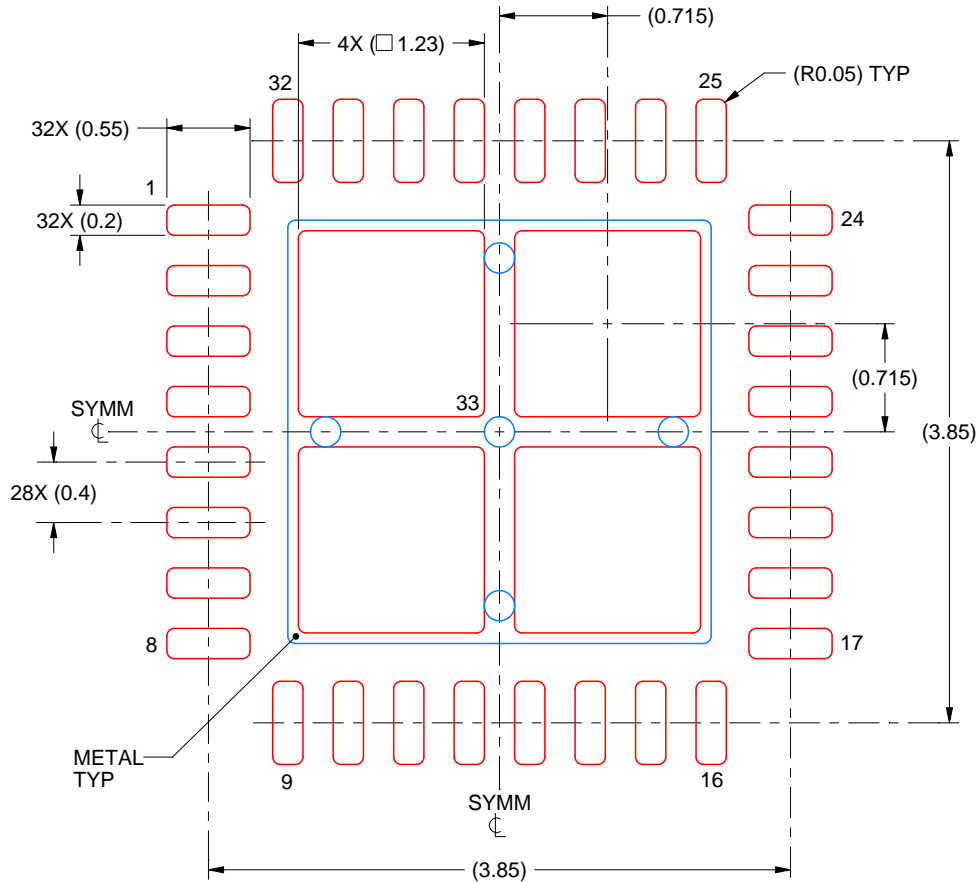
4. This package is designed to be soldered to a thermal pad on the board. For more information, see Texas Instruments literature number SLUA271 ([www.ti.com/lit/slue271](http://www.ti.com/lit/slue271)).
5. Vias are optional depending on application, refer to device data sheet. If any vias are implemented, refer to their locations shown on this view. It is recommended that vias under paste be filled, plugged or tented.

# EXAMPLE STENCIL DESIGN

RSN0032B

WQFN - 0.8 mm max height

PLASTIC QUAD FLATPACK - NO LEAD



**SOLDER PASTE EXAMPLE**  
BASED ON 0.1 mm THICK STENCIL

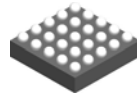
EXPOSED PAD 33:  
77% PRINTED SOLDER COVERAGE BY AREA UNDER PACKAGE  
SCALE:20X

4219109/B 08/2019

NOTES: (continued)

6. Laser cutting apertures with trapezoidal walls and rounded corners may offer better paste release. IPC-7525 may have alternate design recommendations.

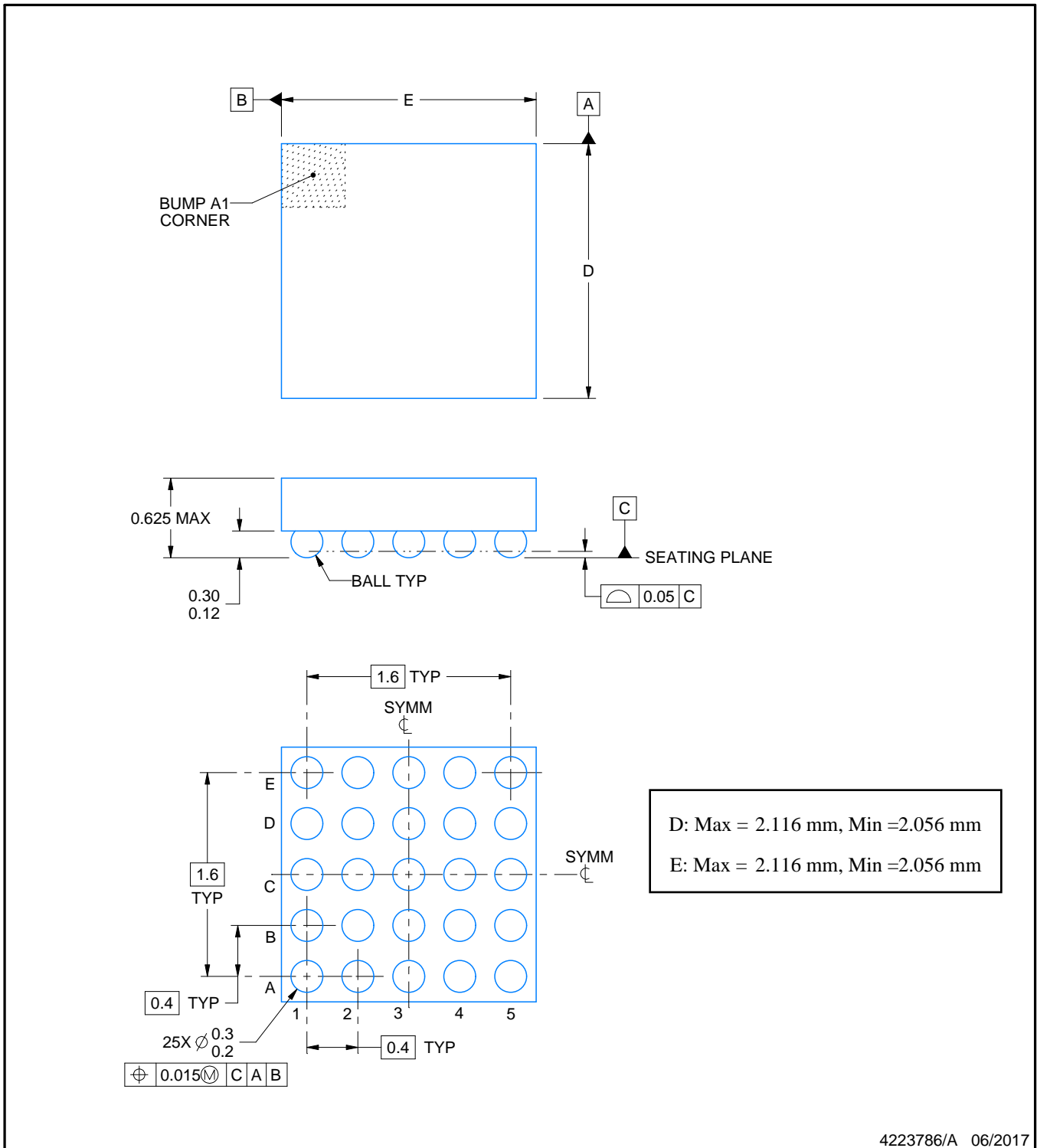
YFF0025



PACKAGE OUTLINE

DSBGA - 0.625 mm max height

DIE SIZE BALL GRID ARRAY



4223786/A 06/2017

NOTES:

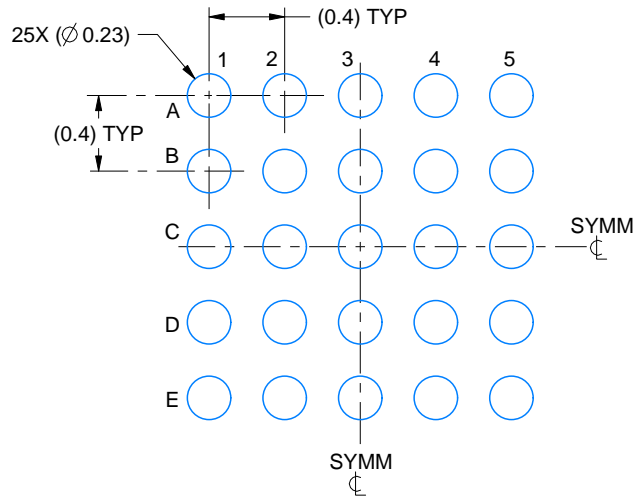
1. All linear dimensions are in millimeters. Any dimensions in parenthesis are for reference only. Dimensioning and tolerancing per ASME Y14.5M.
2. This drawing is subject to change without notice.

# EXAMPLE BOARD LAYOUT

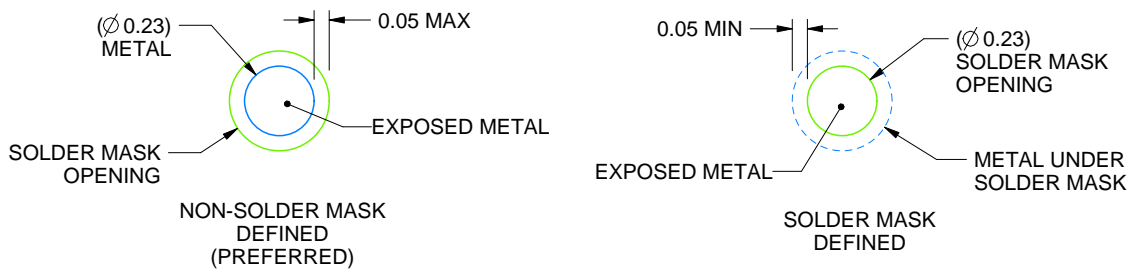
YFF0025

DSBGA - 0.625 mm max height

DIE SIZE BALL GRID ARRAY



LAND PATTERN EXAMPLE  
EXPOSED METAL SHOWN  
SCALE:25X



SOLDER MASK DETAILS  
NOT TO SCALE

4223786/A 06/2017

NOTES: (continued)

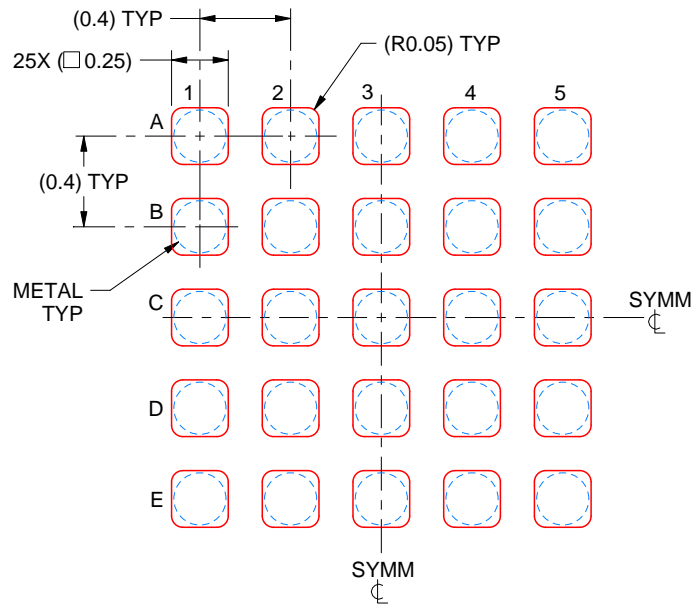
- Final dimensions may vary due to manufacturing tolerance considerations and also routing constraints. For more information, see Texas Instruments literature number SNVA009 ([www.ti.com/lit/snva009](http://www.ti.com/lit/snva009)).

# EXAMPLE STENCIL DESIGN

YFF0025

DSBGA - 0.625 mm max height

DIE SIZE BALL GRID ARRAY



SOLDER PASTE EXAMPLE  
BASED ON 0.1 mm THICK STENCIL  
SCALE:30X

4223786/A 06/2017

NOTES: (continued)

4. Laser cutting apertures with trapezoidal walls and rounded corners may offer better paste release.

## 重要通知和免责声明

TI“按原样”提供技术和可靠性数据（包括数据表）、设计资源（包括参考设计）、应用或其他设计建议、网络工具、安全信息和其他资源，不保证没有瑕疵且不做任何明示或暗示的担保，包括但不限于对适销性、某特定用途方面的适用性或不侵犯任何第三方知识产权的暗示担保。

这些资源可供使用 TI 产品进行设计的熟练开发人员使用。您将自行承担以下全部责任：(1) 针对您的应用选择合适的 TI 产品，(2) 设计、验证并测试您的应用，(3) 确保您的应用满足相应标准以及任何其他功能安全、信息安全、监管或其他要求。

这些资源如有变更，恕不另行通知。TI 授权您仅可将这些资源用于研发本资源所述的 TI 产品的相关应用。严禁以其他方式对这些资源进行复制或展示。您无权使用任何其他 TI 知识产权或任何第三方知识产权。您应全额赔偿因在这些资源的使用中对 TI 及其代表造成的任何索赔、损害、成本、损失和债务，TI 对此概不负责。

TI 提供的产品受 [TI 的销售条款](#) 或 [ti.com](#) 上其他适用条款/TI 产品随附的其他适用条款的约束。TI 提供这些资源并不会扩展或以其他方式更改 TI 针对 TI 产品发布的适用的担保或担保免责声明。

TI 反对并拒绝您可能提出的任何其他或不同的条款。

邮寄地址：Texas Instruments, Post Office Box 655303, Dallas, Texas 75265  
版权所有 © 2025，德州仪器 (TI) 公司