

# TPS735 500mA、低静态电流、低噪声、高 PSRR 低压降线性稳压器

## 1 特性

- 输入电压：2.7V 至 6.5V
- 带 EN 引脚的 500mA 低压降稳压器
- 低  $I_Q$ ：45 $\mu$ A
- 提供了多个输出电压版本：
  - 1.2V 至 4.3V 固定输出
  - 1.25V 至 6V 可调输出
- 高 PSRR：1kHz 频率下为 68dB
- 低噪声：13.2 $\mu$ V<sub>RMS</sub>
- 快速启动时间：45 $\mu$ s
- 使用陶瓷 2.2 $\mu$ F 低 ESR 输出电容器实现稳定运行
- 出色的负载和线路瞬态响应
- 2% 的总体精度（负载、线路和温度， $V_{OUT} > 2.2V$ ）
- 极低的压降：500mA 电流下为 280mV
- 2mm × 2mm WSON-6 和 3mm × 3mm SON-8 封装

## 2 应用

- 后直流/直流转换器纹波滤除
- IP 网络摄像机
- 大型基站
- 恒温器

## 3 说明

TPS735 低压降 (LDO)、低功耗线性稳压器可提供出色的交流性能以及极低的接地电流。可提供高电源抑制比 (PSRR)、低噪声、快速启动以及出色的线路和负载瞬态响应，同时消耗极低的 45 $\mu$ A（典型值）接地电流。

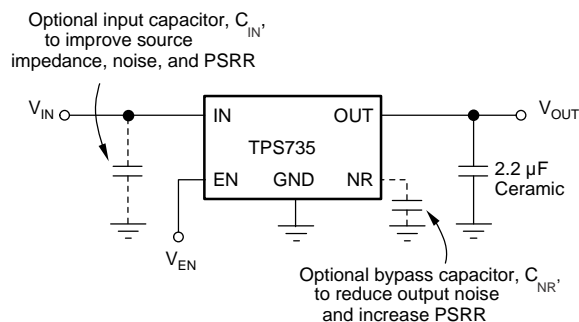
TPS735 器件与陶瓷电容器搭配使用时可保持稳定，并且该器件使用先进的 BiCMOS 制造工艺，能够在输出 500mA 电流时产生 280mV 的典型压降电压。TPS735 器件使用精密电压基准和反馈环路，可在全部负载、线路、过程和温度变化范围内实现 2% 的总体精度 ( $V_{OUT} > 2.2V$ )。此器件的额定  $T_J = -40^{\circ}C$  至  $+125^{\circ}C$ ，采用薄型 3mm × 3mm SON-8 封装和 2mm × 2mm WSON-6 封装。

### 器件信息(1)

器件编号	封装	封装尺寸 (标称值)
TPS735	WSON (6)	2.00mm × 2.00mm
	SON (8)	3.00mm × 3.00mm

(1) 如需了解所有可用封装，请参阅产品说明书末尾的可订购产品附录。

### 典型应用



目录

1	特性 .....	1	8	Application and Implementation .....	13
2	应用 .....	1	8.1	Application Information.....	13
3	说明 .....	1	8.2	Typical Applications .....	13
4	修订历史记录 .....	2	9	Power Supply Recommendations .....	16
5	Pin Configuration and Functions .....	4	10	Layout .....	16
6	Specifications .....	5	10.1	Layout Guidelines .....	16
6.1	Absolute Maximum Ratings .....	5	10.2	Layout Example .....	16
6.2	ESD Ratings.....	5	10.3	Power Dissipation .....	17
6.3	Recommended Operating Conditions.....	5	10.4	Estimating Junction Temperature .....	18
6.4	Thermal Information .....	6	10.5	Package Mounting .....	19
6.5	Electrical Characteristics.....	7	11	器件和文档支持 .....	20
6.6	Typical Characteristics .....	8	11.1	器件支持 .....	20
7	Detailed Description .....	10	11.2	文档支持 .....	20
7.1	Overview .....	10	11.3	商标 .....	20
7.2	Functional Block Diagrams .....	10	11.4	静电放电警告 .....	20
7.3	Feature Description.....	11	11.5	术语表 .....	20
7.4	Device Functional Modes.....	12	12	机械、封装和可订购信息 .....	20

4 修订历史记录

注：之前版本的页码可能与当前版本有所不同。

Changes from Revision L (January 2015) to Revision M

Page

• 根据最新产品说明书和翻译标准更新了产品说明书文本 .....	1
• 已更改 在文档标题中将“超低噪声”更改成了“低噪声” .....	1
• 已更改 将低 I <sub>Q</sub> 从 46μA 更改成了 45μA (在特性、说明 和应用信息 部分中) .....	1
• 已更改 将特性 列表中的“标准”更改成了“陶瓷” .....	1
• 已更改 在特性 列表中将 6 引脚封装从“SON”更改成了“WSON” .....	1
• 已删除 从 应用 部分中删除了“打印机、WiFi®、WiMax 模块、手机、智能手机和微处理器电源” .....	1
• 已添加 在应用 部分中添加了“后直流/直流纹波滤除、IP 网络摄像机、大型基站和恒温器” .....	1
• 已更改 将 T <sub>A</sub> 更改成了 T <sub>J</sub> (在说明 部分中) .....	1
• 已更改 在说明 部分中将 6 引脚封装从“SON”更改成了“WSON” .....	1
• 已更改 在器件信息 表中将封装从 VSON (6) 更改成了 WSON (6) .....	1
• Changed 6-pin DRB package designator from "VSON" to "SON" in <i>Pin Configurations and Functions</i> section .....	4
• Changed 6-pin DRV package designator from "VSON" to "WSON" in <i>Pin Configurations and Functions</i> section .....	4
• Added "feedback resistor" parameter to <i>Recommended Operating Conditions</i> table .....	5
• Changed DRV package designator from "VSON" to "WSON" in <i>Thermal Information</i> table .....	6
• Changed DRB package designator from "VSON" to "SON" in <i>Thermal Information</i> table .....	6
• 已更改 <i>TPS735 Ground Pin Current (Disable) vs Temperature</i> in <i>Typical Characteristics</i> section .....	8
• 已更改 <i>TPS735 Dropout Voltage vs Output Current</i> in <i>Typical Characteristics</i> section .....	8
• Updated Equation 1 .....	14
• 已更改 x-axis scale from "10 ms/div" to "10 μs/div" in 图 17 .....	15
• 已更改 x-axis scale from "10 ms/div" to "10 μs/div" in 图 18 .....	15
• 已更改 V <sub>OUT</sub> starting value to 0 V in 图 19 .....	15
• Updated Equation 2 .....	17
• Updated Equation 3 .....	17
• 已更改 DRV package designator from "SON" to "WSON" in <i>Measuring Points for T<sub>T</sub> and T<sub>B</sub></i> .....	19
• 已删除 在相关文档 部分中删除了对热性能信息文档的引用 .....	20

<b>Changes from Revision K (August, 2013) to Revision L</b>	<b>Page</b>
• 已添加 添加了 <i>ESD</i> 额定值表、特性 说明 部分、器件功能模式、应用和实施 部分、电源相关建议 部分、布局 部 分、器件和文档支持 部分以及机械、封装和可订购信息 部分 .....	1
• 已添加 在特性 列表中添加了第一个项目 .....	1
• 已更改 将特性 列表中的第四个项目更改成了“1.2V 固定输出” .....	1
• 已更改 更改了特性 列表中的第八个项目 .....	1
• 已更改 更改了特性 列表中的最后一个项目 .....	1
• 已更改 更改了最后一个应用 列表项 .....	1
• Changed <i>Pin Configuration and Functions</i> section; updated table format and pin descriptions to meet new standards .....	4
• Changed $C_{NR}$ value notation from 0.01 $\mu$ F to 10 nF throughout <i>Electrical Characteristics</i> .....	7
• Changed feedback voltage parameter values and measured test conditions .....	7
• Changed output current limit maximum specified value .....	7
• Changed power-supply rejection ratio typical specified values for 100 Hz, 10 kHz, and 100 kHz frequency test conditions .....	7
• 已添加 note (1) to 图 1 .....	8
• 已更改 y-axis title for 图 6 .....	8
• 已更改 y-axis title for 图 7 .....	8
• 已更改 footnote for 图 13 .....	10
• 已更改 reference to noise-reduction capacitor ( $C_{NR}$ ) to feed-forward capacitor ( $C_{FF}$ ) in <a href="#">Transient Response</a> .....	11
• 已更改 noise-reduction capacitor to feed-forward capacitor in 图 16 .....	13
• 已更改 references to "noise-reduction capacitor" ( $C_{NR}$ ) to "feed-forward capacitor" ( $C_{FF}$ ) and section title from "Feedback Capacitor Requirements" to "Feed-forward Capacitor Requirements" in <a href="#">Feed-Forward Capacitor Requirements</a> section .....	14
• 已更改 $C_{NR}$ value notation from 0.01 $\mu$ F to 10 nF in <a href="#">Output Noise</a> section .....	14

<b>Changes from Revision J (May, 2011) to Revision K</b>	<b>Page</b>
• 已添加 last sentence to first paragraph of <i>Startup and Noise Reduction Capacitor</i> section .....	11

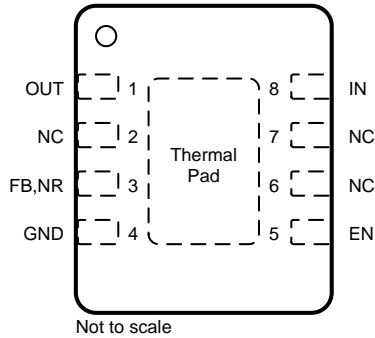
<b>Changes from Revision I (April, 2011) to Revision J</b>	<b>Page</b>
• Replaced the <i>Dissipation Ratings</i> with <i>Thermal Information</i> .....	6
• Revised conditions for <a href="#">Typical Characteristics</a> to include statement about TPS73525 device availability .....	8
• 已添加 <a href="#">Estimating Junction Temperature</a> section .....	18
• Updated <a href="#">Power Dissipation</a> section .....	19

<b>Changes from Revision H (November, 2009) to Revision I</b>	<b>Page</b>
• Corrected typo in <a href="#">Electrical Characteristics</a> table for $V_{OUT}$ specification, DRV package test conditions, $V_{OUT} \leq 2.2V$ .....	7

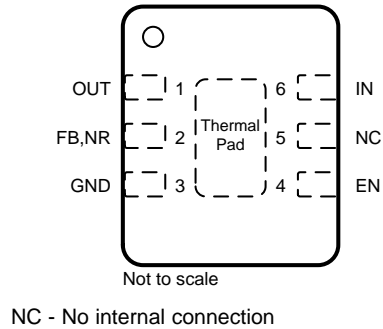
<b>Changes from Revision G (March 2009) to Revision H</b>	<b>Page</b>
• 修订了特性 列表中的项目，以显示 280mV 的极低压降 .....	1
• Changed dropout voltage typical specification from 250mV to 280mV .....	7

## 5 Pin Configuration and Functions

**DRB Package**  
8-Pin SON With Exposed Thermal Pad  
Top View



**DRV Package**  
6-Pin WSON With Exposed Thermal Pad  
Top View



### Pin Functions

NAME	PIN		I/O	DESCRIPTION
	NO			
	DRV	DRB		
IN	6	8	I	Input supply. A 0.1- $\mu$ F to 1- $\mu$ F, low ESR capacitor must be placed from this pin to ground near the device.
GND	3	4	—	Ground. The pad must be tied to GND.
EN	4	5	I	Driving the enable pin (EN) high turns on the regulator. Driving this pin low puts the regulator into shutdown mode. The EN pin can be connected to the IN pin if not used.
NR	2	3	—	This pin is only available for the fixed voltage versions. Connecting an external capacitor to this pin bypasses noise that is generated by the internal band gap and allows the output noise to be reduced to very low levels. The maximum recommended capacitor is 0.01 $\mu$ F.
FB	2	3	I	This pin is only available for the adjustable version. The FB pin is the input to the control-loop error amplifier, and is used to set the output voltage of the device. This pin must not be left floating.
OUT	1	1	O	This pin is the output of the regulator. A small, 2.2- $\mu$ F ceramic capacitor is required from this pin to ground to assure stability. The minimum output capacitance required for stability is 2 $\mu$ F.
NC	5	2, 6, 7	—	Not internally connected.
Thermal pad			—	

## 6 Specifications

### 6.1 Absolute Maximum Ratings

at  $-40^{\circ}\text{C} \leq T_J$  and  $T_A \leq +125^{\circ}\text{C}$  (unless otherwise noted). All voltages are with respect to GND.<sup>(1)</sup>

		MIN	MAX	UNIT
$V_{IN}$	Voltage	-0.3	7	V
$V_{EN}$		-0.3	$V_{IN} + 0.3$	V
$V_{FB}$		-0.3	1.6	V
$V_{OUT}$		-0.3	$V_{IN} + 0.3$	V
$I_{OUT}$	Current	Internally limited		A
$P_{D(tot)}$	Continuous total power dissipation	See <a href="#">Thermal Information</a>		
$T_J$	Operating junction temperature	-40	150	$^{\circ}\text{C}$
$T_{stg}$	Storage temperature	-55	150	$^{\circ}\text{C}$

- (1) Stresses beyond those listed as *Absolute Maximum Ratings* may cause permanent damage to the device. These are stress ratings only, and functional operation of the device at these or any other conditions beyond those indicated as *Recommended Operating Conditions* is not implied. Exposure to absolute-maximum-rated conditions for extended periods may affect device reliability.

### 6.2 ESD Ratings

		VALUE	UNIT
$V_{(ESD)}$ Electrostatic discharge	Human body model (HBM), per ANSI/ESDA/JEDEC JS-001, all pins <sup>(1)</sup>	$\pm 2000$	V
	Charged device model (CDM), per JEDEC specification JESD22-C101, all pins <sup>(2)</sup>	$\pm 500$	V

- (1) JEDEC document JEP155 states that 500-V HBM allows safe manufacturing with a standard ESD control process.  
(2) JEDEC document JEP157 states that 250-V CDM allows safe manufacturing with a standard ESD control process.

### 6.3 Recommended Operating Conditions

over operating junction temperature range (unless otherwise noted)

		MIN	NOM	MAX	UNIT
$V_{IN}$	Input voltage	2.7		6.5	V
$V_{OUT}$	Output voltage	$V_{FB}$		6	V
$I_{OUT}$	Output current <sup>(1)</sup>	0		500	mA
$T_A$	Operating free-air temperature	-40		125	$^{\circ}\text{C}$
$C_{IN}$	Input capacitor		1		$\mu\text{F}$
$C_{OUT}$	Output capacitor		2		$\mu\text{F}$
$C_{NR}$	Noise reduction capacitor		10		nF
$C_{FF}$	Feed-forward capacitor <sup>(2)</sup>	3	22	1000	pF
$R_2$	Feedback resistor <sup>(2)</sup>		110		k $\Omega$

- (1) When operating at  $T_J$  near  $125^{\circ}\text{C}$ ,  $I_{OUT(min)}$  is 500  $\mu\text{A}$ .  
(2) Adjustable version only.

## 6.4 Thermal Information

THERMAL METRIC <sup>(1)</sup>	TPS735 <sup>(2)</sup>		UNIT
	DRB (SON)	DRV (WSON)	
	8 PINS	6 PINS	
$R_{\theta JA}$ Junction-to-ambient thermal resistance <sup>(3)</sup>	52.2	65.1	°C/W
$R_{\theta JC(top)}$ Junction-to-case (top) thermal resistance <sup>(4)</sup>	59.4	85.6	°C/W
$R_{\theta JB}$ Junction-to-board thermal resistance	19.3	34.7	°C/W
$\psi_{JT}$ Junction-to-top characterization parameter <sup>(5)</sup>	2	1.6	°C/W
$\psi_{JB}$ Junction-to-board characterization parameter <sup>(6)</sup>	19.3	35.1	°C/W
$R_{\theta JC(bot)}$ Junction-to-case (bottom) thermal resistance <sup>(7)</sup>	11.8	5.8	°C/W

- (1) For more information about traditional and new thermal metrics, see the [Semiconductor and IC Package Thermal Metrics](#) application report.
- (2) Thermal data for the DRB, DCQ, and DRV packages are derived by thermal simulations based on JEDEC-standard methodology as specified in the JESD51 series. The following assumptions are used in the simulations:
  - (a) i. DRB: The exposed pad is connected to the PCB ground layer through a 2 x 2 thermal via array.  
ii. DRV: The exposed pad is connected to the PCB ground layer through a 2 x 2 thermal via array. Due to size limitation of thermal pad, 0.8-mm pitch array is used which is off the JEDEC standard.
  - (b) i. DRB: The top and bottom copper layers are assumed to have a 20% thermal conductivity of copper representing a 20% copper coverage.  
ii. DRV: The top and bottom copper layers are assumed to have a 20% thermal conductivity of copper representing a 20% copper coverage.
  - (c) These data were generated with only a single device at the center of a JEDEC high-K (2s2p) board with 3-in x 3-in copper area. To understand the effects of the copper area on thermal performance, see the [Power Dissipation](#) and [Estimating Junction Temperature](#) sections.
- (3) The junction-to-ambient thermal resistance under natural convection is obtained in a simulation on a JEDEC-standard, high-K board, as specified in JESD51-7, in an environment described in JESD51-2a.
- (4) The junction-to-case (top) thermal resistance is obtained by simulating a cold plate test on the top of the package. No specific JEDEC-standard test exists, but a close description can be found in the ANSI SEMI standard G30-88.
- (5) The junction-to-top characterization parameter,  $\psi_{JT}$ , estimates the junction temperature of a device in a real system and is extracted from the simulation data to obtain  $\theta_{JA}$  using a procedure described in JESD51-2a (sections 6 and 7).
- (6) The junction-to-board characterization parameter,  $\psi_{JB}$ , estimates the junction temperature of a device in a real system and is extracted from the simulation data to obtain  $\theta_{JA}$  using a procedure described in JESD51-2a (sections 6 and 7).
- (7) The junction-to-case (bottom) thermal resistance is obtained by simulating a cold plate test on the exposed (power) pad. No specific JEDEC standard test exists, but a close description can be found in the ANSI SEMI standard G30-88.

## 6.5 Electrical Characteristics

over operating temperature range ( $-40^{\circ}\text{C} \leq T_J \leq 125^{\circ}\text{C}$ ),  $V_{\text{IN}} = V_{\text{OUT(nom)}} + 0.5\text{ V}$  or  $2.7\text{ V}$  (whichever is greater),  $I_{\text{OUT}} = 1\text{ mA}$ ,  $V_{\text{EN}} = V_{\text{IN}}$ ,  $C_{\text{OUT}} = 2.2\text{ }\mu\text{F}$ , and  $C_{\text{NR}} = 10\text{ nF}$  (unless otherwise noted). For the adjustable version (TPS73501),  $V_{\text{OUT}} = 3\text{ V}$ . Typical values are at  $T_A = 25^{\circ}\text{C}$ .

PARAMETER	TEST CONDITIONS	MIN	TYP	MAX	UNIT		
$V_{\text{IN}}$	Input voltage <sup>(1)</sup>	2.7		6.5	V		
$V_{\text{FB}}$	Internal reference (adjustable version only)	$T_J = 25^{\circ}\text{C}$	1.196	1.208	1.220	V	
$V_{\text{OUT}}$	Output voltage range (adjustable version only)		$V_{\text{FB}}$	6	V		
	DC output accuracy <sup>(1)</sup>	$1\text{ mA} \leq I_{\text{OUT}} \leq 500\text{ mA}$ , $V_{\text{OUT}} + 0.5\text{ V} \leq V_{\text{IN}} < 6.5\text{ V}$	$V_{\text{OUT}} > 2.2\text{ V}$	-2%	$\pm 1\%$	2%	
			$V_{\text{OUT}} \leq 2.2\text{ V}$	-3%	$\pm 1\%$	3%	
$\Delta V_{\text{OUT}(\Delta V_{\text{IN}})}$	Line regulation <sup>(1)</sup>	$V_{\text{OUT(nom)}} + 0.5\text{ V} \leq V_{\text{IN}} \leq 6.5\text{ V}$		0.02		%/V	
$\Delta V_{\text{OUT}(\Delta I_{\text{OUT}})}$	Load regulation	$500\text{ }\mu\text{A} \leq I_{\text{OUT}} \leq 500\text{ mA}$		0.005		%/mA	
$V_{\text{DO}}$	Dropout voltage <sup>(2)</sup> ( $V_{\text{IN}} = V_{\text{OUT(nom)}} - 0.1\text{ V}$ )	$I_{\text{OUT}} = 500\text{ mA}$		280	500	mV	
$I_{\text{LIM}}$	Output current limit	$V_{\text{OUT}} = 0.9 \times V_{\text{OUT(nom)}}$ , $V_{\text{IN}} = V_{\text{OUT(nom)}} + 0.9\text{ V}$ $V_{\text{IN}} \geq 2.7\text{ V}$		800	1170	1900	mA
$I_{\text{GND}}$	Ground pin current	$10\text{ mA} \leq I_{\text{OUT}} \leq 500\text{ mA}$		45	65	$\mu\text{A}$	
$I_{\text{SHDN}}$	Shutdown current	$V_{\text{EN}} \leq 0\text{ V}$		0.15	1	$\mu\text{A}$	
$I_{\text{FB}}$	Feedback pin current (adjustable version only)	$V_{\text{OUT(nom)}} = 1.2\text{ V}$		-0.5	0.5	$\mu\text{A}$	
$\text{PSRR}$	Power-supply rejection ratio	$V_{\text{IN}} = 3.85\text{ V}$ $V_{\text{OUT}} = 2.85\text{ V}$ $C_{\text{NR}} = 0.01\text{ }\mu\text{F}$ $I_{\text{OUT}} = 100\text{ mA}$	$f = 100\text{ Hz}$		66	dB	
			$f = 1\text{ kHz}$		68		
			$f = 10\text{ kHz}$		44		
			$f = 100\text{ kHz}$		22		
$V_n$	Output noise voltage	BW = 10 Hz to 100 kHz, $V_{\text{OUT}} = 2.8\text{ V}$	$C_{\text{NR}} = 10\text{ nF}$		$11 \times V_{\text{OUT}}$	$\mu\text{V}_{\text{RMS}}$	
			$C_{\text{NR}} = \text{none}$		$95 \times V_{\text{OUT}}$		
$t_{\text{STR}}$	Start-up time		$C_{\text{NR}} = \text{none}$		45	$\mu\text{s}$	
			$C_{\text{NR}} = 1\text{ nF}$		45		
			$C_{\text{NR}} = 10\text{ nF}$		50		
			$C_{\text{NR}} = 47\text{ nF}$		50		
$V_{\text{EN(HI)}}$	Enable high (enabled)		1.2			V	
$V_{\text{EN(LO)}}$	Enable low (shutdown)			0.4		V	
$I_{\text{EN(HI)}}$	Enable pin current, enabled	$V_{\text{EN}} = V_{\text{IN}} = 6.5\text{ V}$		0.03	1	$\mu\text{A}$	
$T_{\text{sd}}$	Thermal shutdown temperature	Shutdown, temperature increasing		165		$^{\circ}\text{C}$	
		Reset, temperature decreasing		145			
UVLO	Undervoltage lockout	$V_{\text{IN}}$ rising	1.9	2.2	2.65	V	
$V_{\text{hys}}$	Hysteresis	$V_{\text{IN}}$ falling		70		mV	

(1) Minimum  $V_{\text{IN}} = V_{\text{OUT}} + V_{\text{DO}}$  or  $2.7\text{ V}$ , whichever is greater.

(2)  $V_{\text{DO}}$  is not measured for this family of devices with  $V_{\text{OUT(nom)}} < 2.8\text{ V}$  because the minimum  $V_{\text{IN}} = 2.7\text{ V}$ .

### 6.6 Typical Characteristics

over operating temperature range ( $T_J = -40^\circ\text{C}$  to  $+125^\circ\text{C}$ ),  $V_{IN} = V_{OUT(nom)} + 0.5\text{ V}$  or  $2.7\text{ V}$ , whichever is greater;  $I_{OUT} = 1\text{ mA}$ ,  $V_{EN} = V_{IN}$ ,  $C_{OUT} = 2.2\ \mu\text{F}$ ,  $C_{NR} = 10\text{ nF}$ . Typical values are at  $T_J = 25^\circ\text{C}$ , (unless otherwise noted).

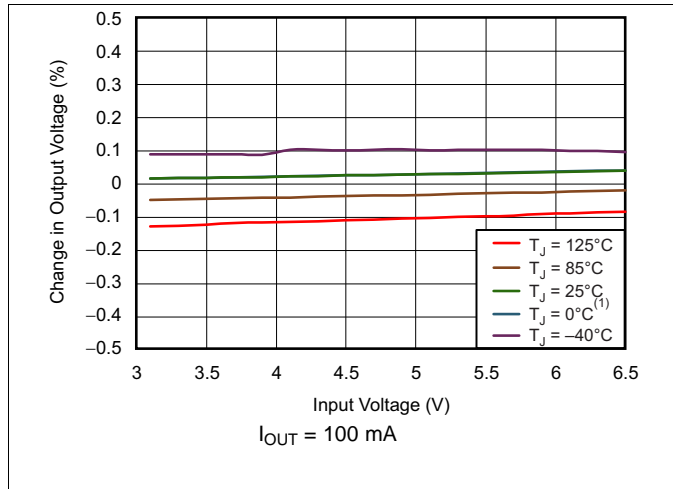


图 1. TPS735 Line Regulation

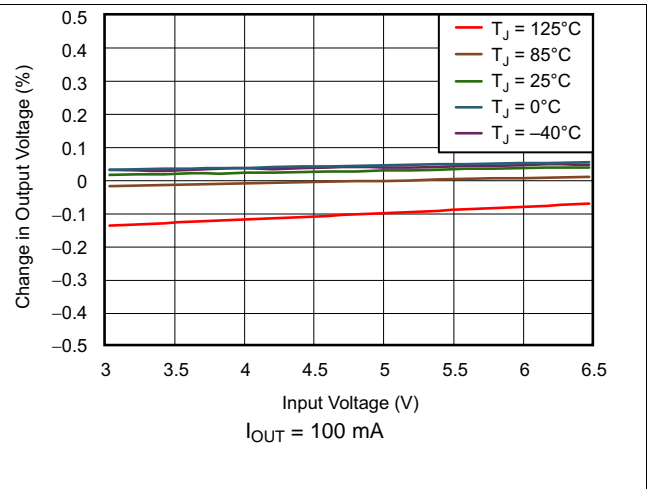


图 2. TPS735 Line Regulation

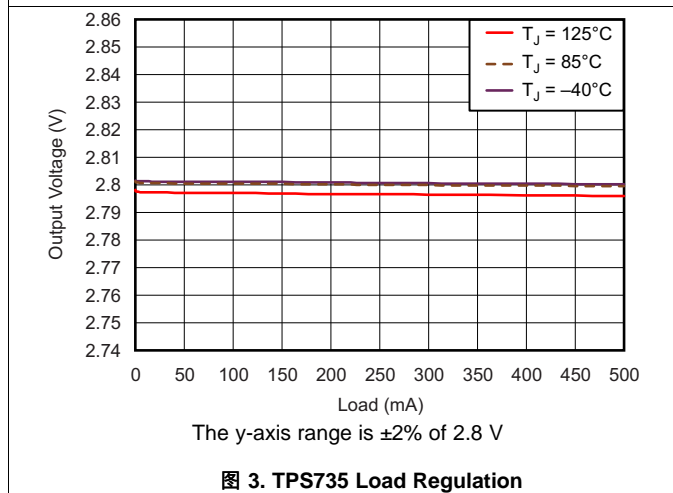


图 3. TPS735 Load Regulation

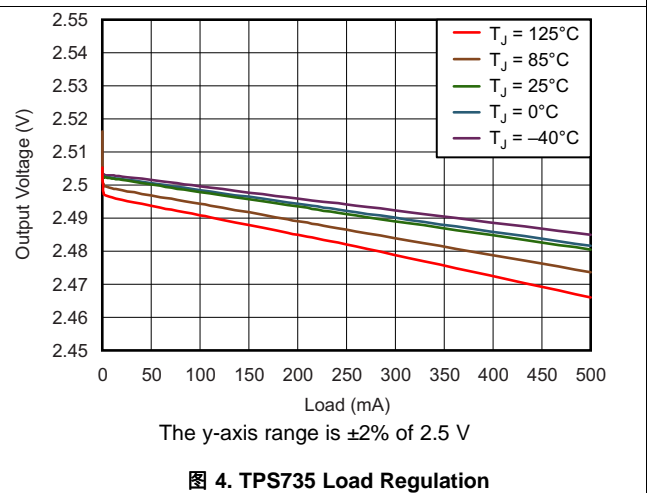


图 4. TPS735 Load Regulation

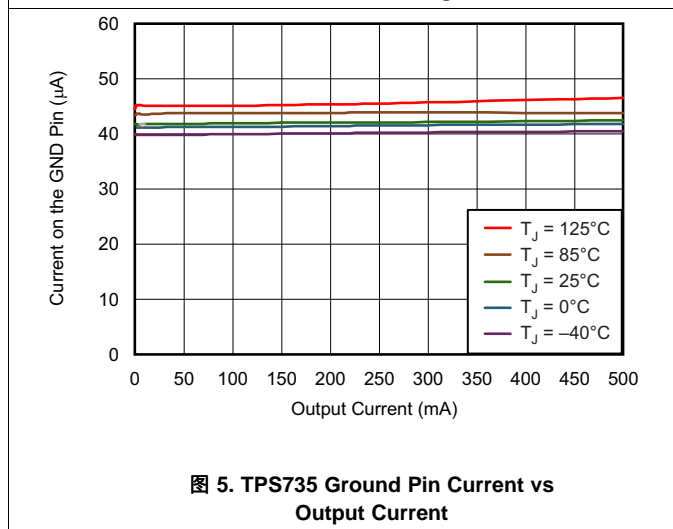


图 5. TPS735 Ground Pin Current vs Output Current

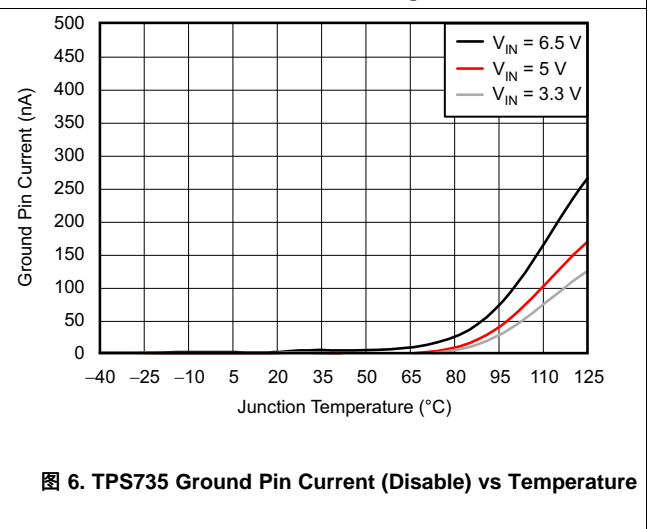


图 6. TPS735 Ground Pin Current (Disable) vs Temperature

Typical Characteristics (接下页)

over operating temperature range ( $T_J = -40^\circ\text{C}$  to  $+125^\circ\text{C}$ ),  $V_{IN} = V_{OUT(nom)} + 0.5\text{ V}$  or  $2.7\text{ V}$ , whichever is greater;  $I_{OUT} = 1\text{ mA}$ ,  $V_{EN} = V_{IN}$ ,  $C_{OUT} = 2.2\ \mu\text{F}$ ,  $C_{NR} = 10\text{ nF}$ . Typical values are at  $T_J = 25^\circ\text{C}$ , (unless otherwise noted).

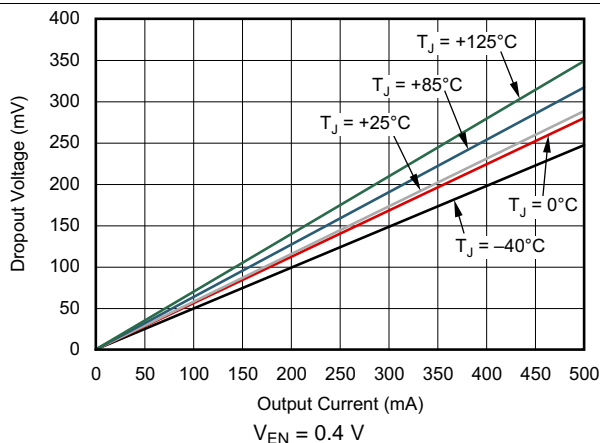


图 7. TPS735 Dropout Voltage vs Output Current

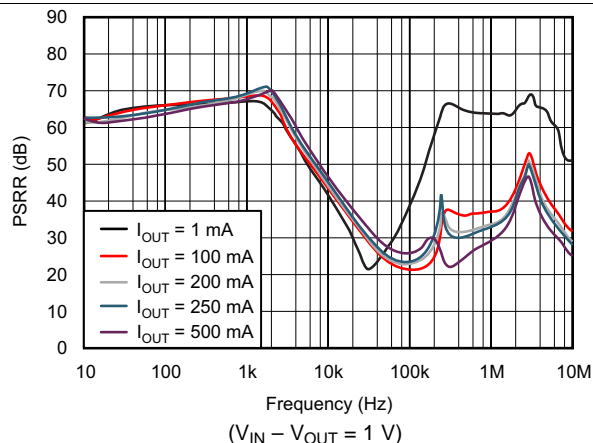


图 8. Power-Supply Ripple Rejection vs Frequency

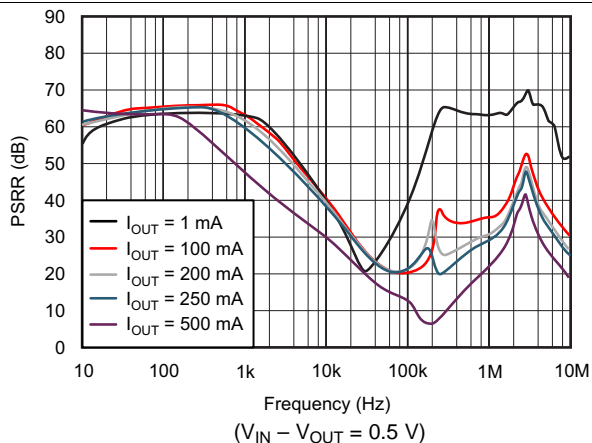


图 9. Power-Supply Ripple Rejection vs Frequency

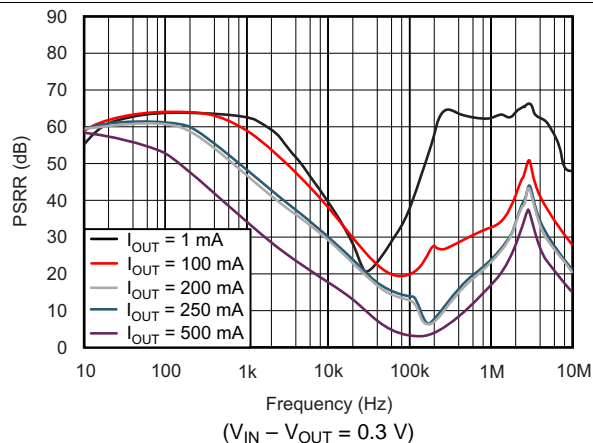


图 10. Power-Supply Ripple Rejection vs Frequency

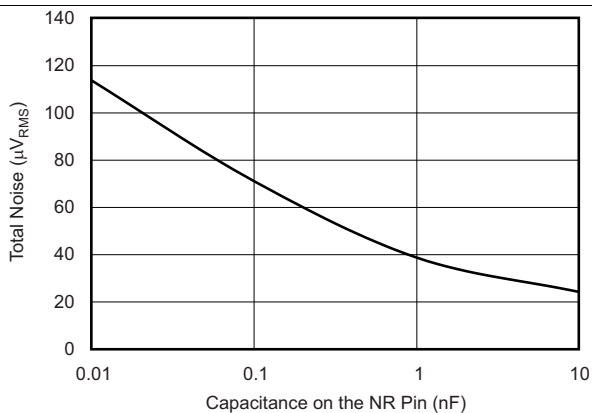


图 11. TPS73525 RMS Noise vs  $C_{NR}$

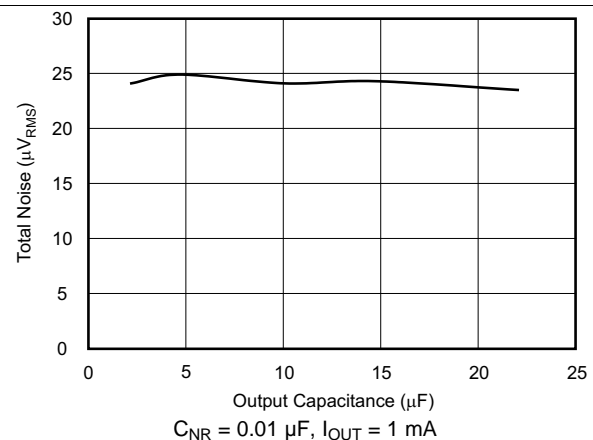


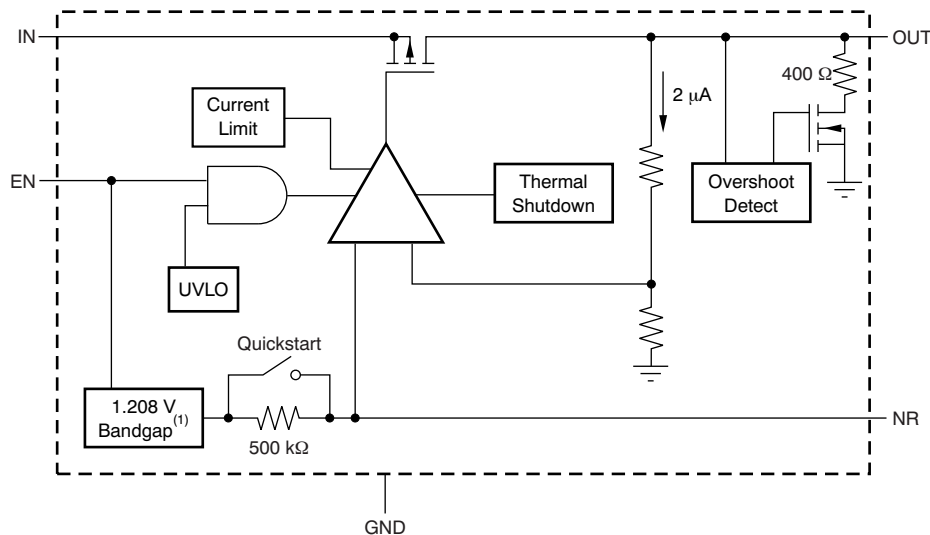
图 12. TPS735 RMS Noise vs  $C_{OUT}$

## 7 Detailed Description

### 7.1 Overview

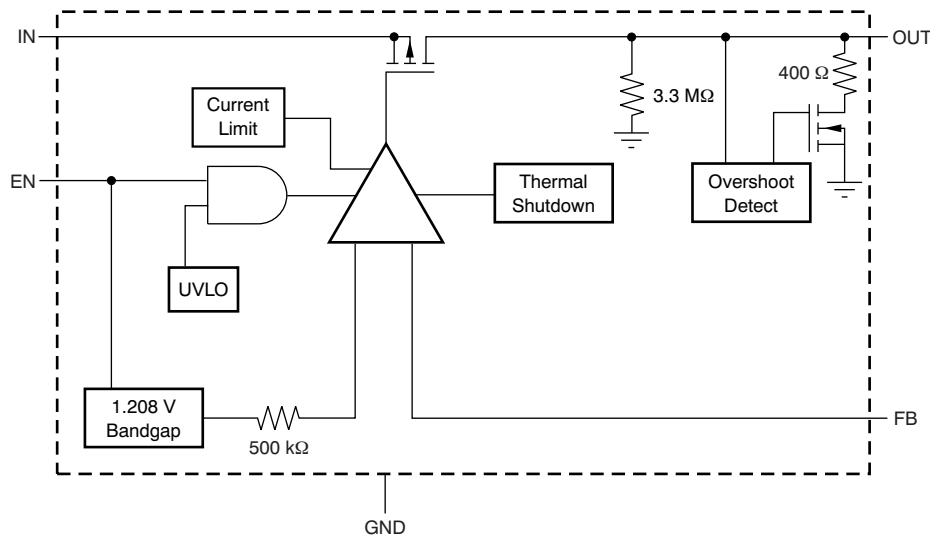
The TPS735 of low dropout (LDO) regulator combines the high performance required by radio frequency (RF) and precision analog applications with ultra-low current consumption. High PSRR is provided by a high-gain, high-bandwidth error loop with good supply rejection and very low headroom ( $V_{IN} - V_{OUT}$ ). Fixed voltage versions provide a noise reduction pin to bypass noise that is generated by the band-gap reference and to improve PSRR. A quick-start circuit fast-charges this capacitor at start-up. The combination of high performance and low ground current make the TPS735 device designed for portable applications. All versions have thermal and overcurrent protection and are specified from  $-40^{\circ}\text{C} \leq T_J \leq +125^{\circ}\text{C}$ .

### 7.2 Functional Block Diagrams



(1) The 1.2-V fixed voltage version has a 1-V band gap instead of a 1.208-V circuit.

**图 13. Fixed Voltage Versions**



**图 14. Adjustable Voltage Versions**

## 7.3 Feature Description

### 7.3.1 Internal Current Limit

The TPS735 internal current limit protects the regulator during fault conditions. During current limit, the output sources a fixed amount of current that is independent of the output voltage. For reliable operation, do not operate the device in current limit for extended periods of time.

The PMOS pass element in the TPS735 device contains a built-in body diode that conducts current when the voltage at the OUT pin exceeds the voltage at the IN pin. This current is not limited, so if extended reverse voltage operation is expected, external limiting is appropriate.

### 7.3.2 Shutdown

The enable pin (EN) is active high and is compatible with standard and low-voltage TTL-CMOS levels. When shutdown capability is not required, the EN pin can connect to the IN pin.

### 7.3.3 Dropout Voltage

The TPS735 device uses a PMOS pass transistor to achieve low dropout. When  $(V_{IN} - V_{OUT})$  is less than the dropout voltage ( $V_{DO}$ ), the PMOS pass device is in the linear region of operation and the input-to-output resistance ( $R_{(IN/OUT)}$ ) of the PMOS pass element.  $V_{DO}$  scales with the output current because the PMOS device operates like a resistor in dropout.

As with any linear regulator, PSRR and transient response degrades as  $(V_{IN} - V_{OUT})$  approaches dropout. [Typical Characteristics](#) shows this effect; (see [Figure 8](#) through [Figure 10](#)).

### 7.3.4 Start-Up and Noise Reduction Capacitor

Fixed voltage versions of the TPS735 use a quick-start circuit to charge the noise reduction (NR) capacitor ( $C_{NR}$ ) if present (see [Functional Block Diagrams](#)). This architecture allows the combination of low output noise and fast start-up times. The NR pin is high impedance so a low-leakage  $C_{NR}$  capacitor must be used. Most ceramic capacitors are appropriate in this configuration. A high-quality, COG-type (NPO) dielectric ceramic capacitor is recommended for  $C_{NR}$  when used in environments where abrupt changes in temperature can occur.

For the fastest start-up, first apply  $V_{IN}$ , then drive the enable (EN) pin high. If EN is tied to IN, start-up is slower. See [Typical Applications](#). The quick-start switch closes for approximately 135  $\mu$ s. To ensure that  $C_{NR}$  is charged during the quick-start time, use a capacitor with a value of no more than 0.01  $\mu$ F.

### 7.3.5 Transient Response

As with any regulator, increasing the size of the output capacitor reduces overshoot and undershoot magnitude but increases the transient response duration. In the adjustable version, adding  $C_{FF}$  between the OUT and FB pins improves stability and transient response performance. The transient response of the TPS735 device is enhanced by an active pulldown that engages when the output overshoots by approximately 5% or more when the device is enabled. The pull-down device operates like a 400- $\Omega$  resistor to ground when enabled.

### 7.3.6 Undervoltage Lockout

The TPS735 device uses an undervoltage lockout circuit to disable the output until the internal circuitry is operates properly. The UVLO circuit contains a deglitch feature so that the UVLO ignores undershoot transients on the input if the transients are less than 50  $\mu$ s in duration.

### 7.3.7 Minimum Load

The TPS735 device is stable with no output load. To meet the specified accuracy, a minimum load of 500  $\mu$ A is required. If the output is below 500  $\mu$ A and if the junction temperature is approximately 125°C, the output can increase enough to turn on the output pulldown. The output pulldown limits voltage drift to 5% (typically) but ground current can increase by approximately 50  $\mu$ A. In most applications, the junction does not reach high temperatures at light loads because little power is dissipated. As a result, the specified ground current is valid at no load in most applications.

## Feature Description (接下页)

### 7.3.8 Thermal Protection

Thermal protection disables the output when the junction temperature increases to approximately 165°C, which allows the device to cool. When the junction temperature cools to approximately 145°C, the output circuitry is enabled. Depending on power dissipation, thermal resistance, and ambient temperature, the thermal protection circuit cycles on and off. This cycling limits the dissipation of the regulator and protects the regulator from damage as a result of overheating.

Any tendency to activate the thermal protection circuit indicates excessive power dissipation or an inadequate heat sink. For reliable operation, limit junction temperature to 125°C (maximum). To estimate the thermal margin in a complete design (including heat sink), increase the ambient temperature until the thermal protection is triggered. Use worst-case loads and signal conditions. For reliable operation, trigger thermal protection at least 40°C above the maximum expected ambient condition of a particular application. This configuration produces a worst-case junction temperature of 125°C at the highest expected ambient temperature and worst-case load.

The internal protection circuitry of the TPS735 protects against overload conditions. This protection circuitry is not intended to replace proper heat sinking. Continuously running the TPS735 into thermal shutdown degrades device reliability.

## 7.4 Device Functional Modes

### 7.4.1 Normal Operation

The device regulates to the nominal output voltage under the following conditions:

- The input voltage previously exceeded the UVLO voltage and did not decrease below the UVLO threshold minus  $V_{hys}$ .
- The input voltage is greater than the nominal output voltage that is added to the dropout voltage.
- The enable voltage has previously exceeded the enable rising threshold voltage and has not decreased below the enable falling threshold.
- The output current is less than the current limit.
- The device junction temperature is within the specified range.

### 7.4.2 Dropout Operation

If the input voltage is lower than the nominal output voltage plus the specified dropout voltage, but all other conditions are met for normal operation, the device operates in dropout mode. In this condition, the output voltage is equal to the input voltage minus the dropout voltage. The transient performance of the device degrades because the pass device is in a triode state and the LDO operates like a resistor. Line or load transients in dropout can result in large output voltage deviations.

### 7.4.3 Disabled

The device is disabled under the following conditions:

- The input voltage is less than the UVLO threshold minus  $V_{hys}$ , or has not yet exceeded the UVLO threshold.
- The enable voltage is less than the enable falling threshold voltage or has not yet exceeded the enable rising threshold.
- The device junction temperature is greater than the thermal shutdown temperature.

表 1 lists the conditions that result in different modes of operation.

**表 1. Device Functional Mode Comparison**

OPERATING MODE	PARAMETER			
	$V_{IN}$	$V_{EN}$	$I_{OUT}$	$T_J$
Normal mode	$V_{IN} > V_{OUTnom} + V_{DO}$ and $V_{IN} > UVLO$	$V_{EN} > V_{EN(HI)}$	$I_{OUT} < I_{LIM}$	$T_J < 125^{\circ}C$
Dropout mode	$UVLO < V_{IN} < V_{OUTnom} + V_{DO}$	$V_{EN} > V_{EN(HI)}$	—	$T_J < 165^{\circ}C$
Disabled mode (any true condition disables the device)	$V_{IN} < UVLO - V_{hys}$	$V_{EN} < V_{EN(LO)}$	—	$T_J > 165^{\circ}C$

## 8 Application and Implementation

### 注

Information in the following applications sections is not part of the TI component specification, and TI does not warrant its accuracy or completeness. TI's customers are responsible for determining suitability of components for their purposes. Customers should validate and test their design implementation to confirm system functionality.

### 8.1 Application Information

The TPS735 LDO regulator provides a design with an ultra-low noise, high PSRR, low-dropout linear regulation with a very small ground current (5  $\mu\text{A}$ , typical).

The devices are stable with ceramic capacitors and have a dropout voltage of 280 mV at the full output rating of 500 mA. The features of the TPS735 device enables the LDO regulators to be used in a wide variety of applications with minimal design complexity.

### 8.2 Typical Applications

图 15 shows the basic circuit connections for fixed-voltage models. 图 16 shows the connections for the adjustable output version.  $R_1$  and  $R_2$  can be calculated for any output voltage using the formula in 图 16.

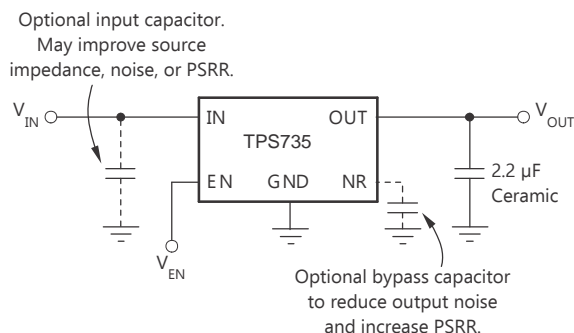


图 15. Typical Application Circuit for Fixed-Voltage Versions

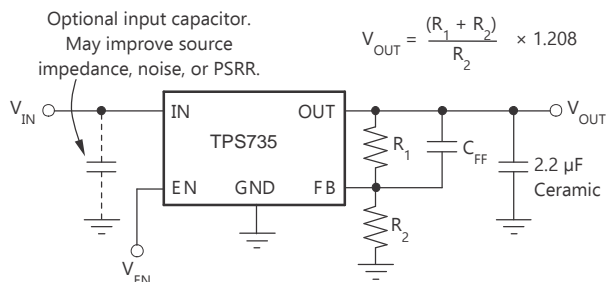


图 16. Typical Application Circuit for Adjustable-Voltage Versions

## Typical Applications (接下页)

### 8.2.1 Design Requirements

#### 8.2.1.1 Input and Output Capacitor Requirements

Although an input capacitor is not required for stability, connecting a 0.1- $\mu\text{F}$  to 1- $\mu\text{F}$  low-equivalent series-resistance (ESR) capacitor across the input supply near the regulator is good analog design practice. This capacitor counteracts reactive input sources and improves transient response and ripple rejection. A higher-value capacitor may be required if large, fast, rise-time load transients are expected, or if the device is located several inches from the power source. If source impedance is not sufficiently low, a 0.1- $\mu\text{F}$  input capacitor may be required to ensure stability.

The TPS735 device is designed to be stable with standard ceramic output capacitors of values 2  $\mu\text{F}$  or larger. X5R- and X7R-type capacitors are best because these capacitors feature minimal variation in value and ESR over temperature. Maximum ESR of the output capacitor is  $< 1 \Omega$  and, therefore, the output capacitor type must be ceramic or conductive polymer electrolytic.

#### 8.2.1.2 Feed-Forward Capacitor Requirements

The feed-forward capacitor ( $C_{\text{FF}}$ ), shown in [图 16](#), is required for stability. For a parallel combination of  $R_1$  and  $R_2$  equal to 250 k $\Omega$ , any value between 3 pF to 1 nF can be used. Fixed-voltage versions have an internal 30-pF feed-forward capacitor that is quick-charged at start-up. Larger value capacitors improve noise slightly. The TPS735 device is stable in unity-gain configurations (the OUT pin is tied to the FB pin) without  $C_{\text{FF}}$ .

### 8.2.2 Detailed Design Procedure

#### 8.2.2.1 Output Noise

In most LDO regulators, the band gap is the dominant noise source. If a noise-reduction capacitor ( $C_{\text{NR}}$ ) is used with the TPS735 device, the band gap does not contribute significantly to noise. Noise is dominated by the output resistor divider and the error-amplifier input. To minimize noise in a given application, use a 10-nF noise reduction capacitor. For the adjustable version, smaller value resistors in the output resistor divider reduce noise. A parallel combination that produces 2  $\mu\text{A}$  of divider current has the same noise performance as a fixed voltage version with a  $C_{\text{NR}}$ . To further optimize noise, set the ESR of the output capacitor to approximately 0.2  $\Omega$ . This configuration maximizes phase margin in the control loop, which reduces the total output noise up to 10%. TI recommends a maximum capacitor value of 10 nF.

[公式 1](#) calculates the approximate integrated output noise from 10 Hz to 100 kHz with a  $C_{\text{NR}}$  value of 10 nF.

$$V_n (\mu\text{V}_{\text{RMS}}) = 11 (\mu\text{V}_{\text{RMS}} / \text{V}) \times V_{\text{OUT}} (\text{V}) \quad (1)$$

The TPS735 adjustable version does not have the noise-reduction pin available, so ultra-low noise operation is not possible. Noise is minimized according to the previously listed recommendations.

Typical Applications (接下页)

8.2.3 Application Curves

at  $V_{IN} = V_{OUT(nom)} + 0.5\text{ V}$  or  $2.7\text{ V}$ , whichever is greater;  $I_{OUT} = 1\text{ mA}$ ,  $V_{EN} = V_{IN}$ ,  $C_{OUT} = 2.2\text{ }\mu\text{F}$ ,  $C_{NR} = 10\text{ nF}$ , and  $T_J = 25^\circ\text{C}$  (unless otherwise noted)

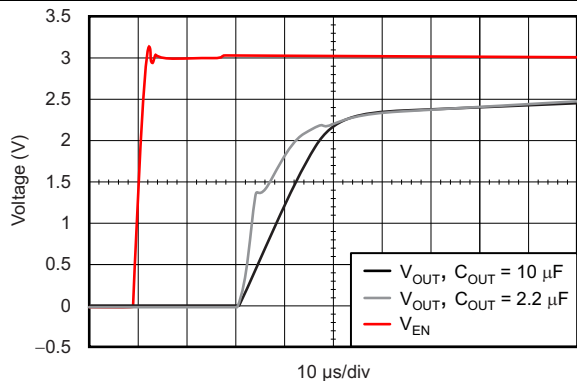


图 17. TPS735 Turnon Response ( $V_{IN} = V_{EN}$ )

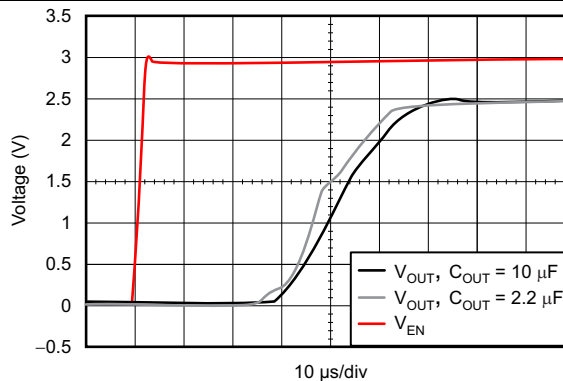


图 18. TPS735 Turnon Response Using EN

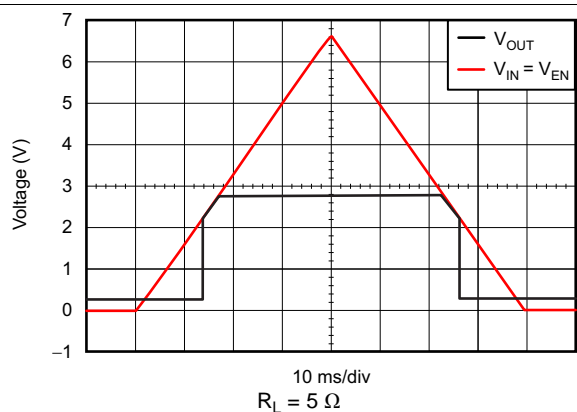


图 19. TPS735 Power-Up and Power-Down ( $V_{IN} = V_{EN}$ )

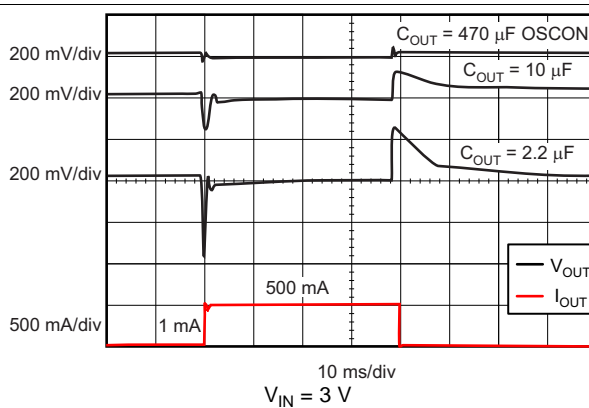


图 20. TPS735 Load Transient Response

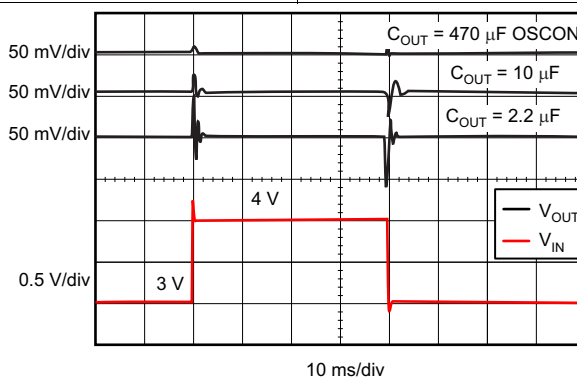


图 21. TPS735 Line Transient Response

## 9 Power Supply Recommendations

The device is designed to operate from an input voltage supply range between 2.7 V and 6.5 V. The input voltage range must provide adequate headroom for the device to have a regulated output. This input supply must be well-regulated. If the input supply is noisy, additional input capacitors with low ESR can help improve output noise.

## 10 Layout

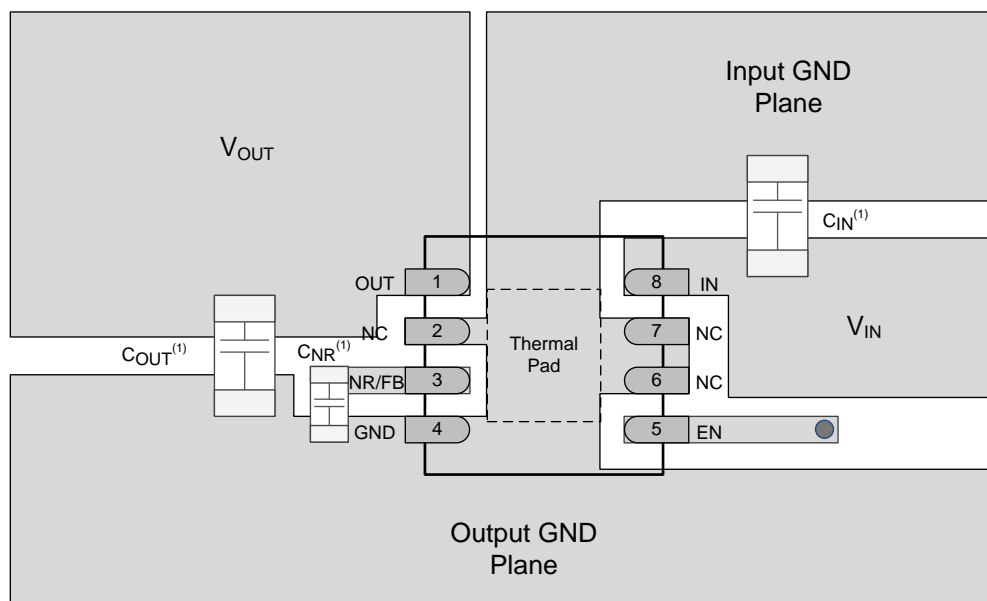
### 10.1 Layout Guidelines

For best overall performance, place all circuit components on the same side of the circuit board and as near to the respective LDO pin connections as possible. Place ground return connections to the input and output capacitor, and to the LDO ground pin as close to each other as possible, connected by a wide, component-side, copper surface. The use of vias and long traces to create LDO component connections is strongly discouraged and negatively affects system performance. This grounding and layout scheme minimizes inductive parasitics, and as a result, reduces load-current transients, minimizes noise, and increases circuit stability. TI recommends using a ground reference plane, and is embedded in the printed circuit board (PCB) itself or located on the bottom side of the PCB opposite the components. This reference plane ensures accuracy of the output voltage, shields the LDO from noise, and operates similar to a thermal plane to spread (or sink) heat from the LDO device when connected to the exposed thermal pad. In most applications, this ground plane is required to meet thermal requirements.

#### 10.1.1 Board Layout Recommendations to Improve PSRR and Noise Performance

To improve AC performance (such as PSRR, output noise, and transient response), TI recommends designing the board with separate ground planes for  $V_{IN}$  and  $V_{OUT}$ , with each ground plane connected only at the GND pin of the device. In addition, the ground connection for the bypass capacitor must connect directly to the GND pin of the device.

### 10.2 Layout Example



(1)  $C_{IN}$  and  $C_{OUT}$  are 0603 capacitors and  $C_{NR}$  is a 0402 capacitor. The footprint is shown to scale with package size.

**图 22. TPS735 Fixed Version Layout Reference Diagram**

### 10.3 Power Dissipation

The ability to remove heat from the die is different for each package type, which presents different considerations in the PCB layout. The PCB area around the device that is free of other components moves the heat from the device to the ambient air. Performance data for JEDEC low- and high-K boards are shown in the [Thermal Information](#) section. Heavier copper increases the effectiveness in removing heat from the device. The addition of plated through-holes to heat-dissipating layers improves the heat sink effectiveness.

Power dissipation depends on input voltage and load conditions. Power dissipation can be approximated by the product of the output current and the voltage drop across the output pass element, as [公式 2](#) shows.

$$P_D = (V_{IN} - V_{OUT}) \times I_{OUT} \quad (2)$$

---

**注**

When the device is used in a condition of high input and low output voltages,  $P_D$  can exceed the junction temperature rating even when the ambient temperature is at room temperature.

---

[公式 3](#) is an example calculation for the power dissipation ( $P_D$ ) of the DRB package.

$$P_D = (6.5 \text{ V} - 1.2 \text{ V}) \times 500 \text{ mA} = 2.65 \text{ W} \quad (3)$$

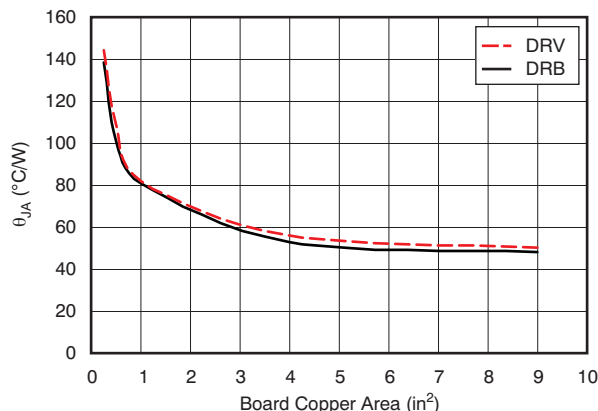
Power dissipation can be minimized and greater efficiency can be achieved by using the lowest possible input voltage necessary to achieve the required output performance.

On the DRB package, the primary conduction path for heat is through the exposed thermal pad to the PCB. The pad can be connected to ground or left floating. The pad must be attached to an appropriate amount of copper PCB area to ensure that the device does not overheat. The maximum allowable junction-to-ambient thermal resistance depends on the maximum ambient temperature, maximum device junction temperature, and power dissipation of the device. [公式 4](#) calculates the maximum junction-to-ambient thermal resistance.

$$R_{\theta JA} = \frac{(125^\circ\text{C} - T_A)}{P_D} \quad (4)$$

## Power Dissipation (接下页)

图 23 estimates the maximum  $R_{\theta JA}$  and the minimum amount of PCB copper area required to heat sink.



Note:  $\theta_{JA}$  value at board size of 9 in<sup>2</sup> (that is, 3 in x 3 in) is a JEDEC standard.

图 23.  $\theta_{JA}$  vs Board Size

图 23 shows the variation of  $\theta_{JA}$  as a function of ground plane copper area in the board. It is intended only as a guideline to demonstrate the effects of heat spreading in the ground plane and must not be used to estimate actual thermal performance in real application environments.

### 注

When the device is mounted on an application PCB, it is strongly recommended to use  $\Psi_{JT}$  and  $\Psi_{JB}$ , as explained in the [Estimating Junction Temperature](#) section.

## 10.4 Estimating Junction Temperature

Using the thermal metrics  $\Psi_{JT}$  and  $\Psi_{JB}$ , as the table shows, the junction temperature can be estimated with corresponding formulas (公式 5), which are more accurate than the value of  $T_J$  through calculation with  $\theta_{JA}$ .

$$\Psi_{JT}: T_J = T_T + \Psi_{JT} \cdot P_D$$

$$\Psi_{JB}: T_J = T_B + \Psi_{JB} \cdot P_D$$

where:

- $P_D$  is the power dissipation calculated with 公式 2,
- $T_T$  is the temperature at the center-top of the device package, and
- $T_B$  is the PCB temperature measured 1 mm away from the device package on the PCB surface (as shown in 图 25). (5)

### 注

Both  $T_T$  and  $T_B$  can be measured on actual application boards using a thermo-gun (an infrared thermometer).

For more information about measuring  $T_T$  and  $T_B$ , see [Using New Thermal Metrics](#), available for download at [www.ti.com](http://www.ti.com).

## Estimating Junction Temperature (接下页)

According to 图 24, the new thermal metrics ( $\Psi_{JT}$  and  $\Psi_{JB}$ ) do not depend on the copper area. Using  $\Psi_{JT}$  or  $\Psi_{JB}$  with 公式 5 can estimate  $T_J$  by measuring  $T_T$  or  $T_B$  on an application board.

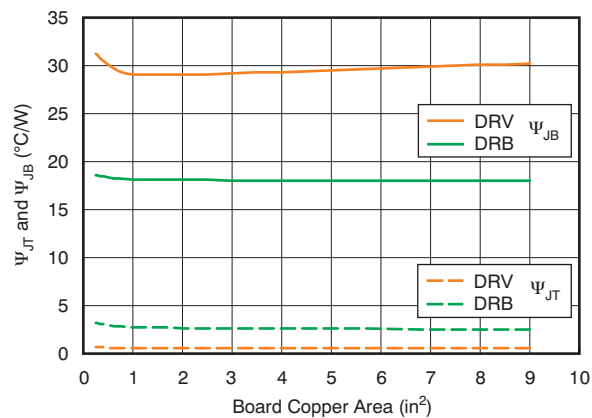
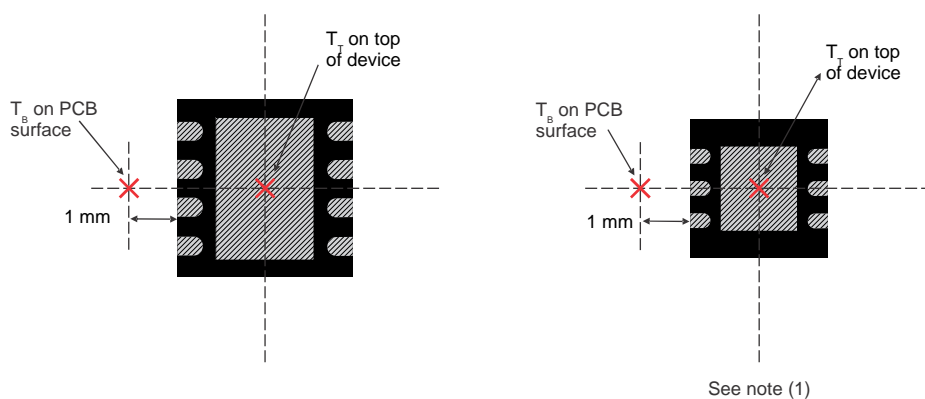


图 24.  $\Psi_{JT}$  and  $\Psi_{JB}$  vs Board Size



(a) Example DRB (SON) Package Measurement

(b) Example DRV (WSO) Package Measurement

(1) Power dissipation may limit operating range. See [Thermal Information](#).

图 25. Measuring Points for  $T_T$  and  $T_B$

## 10.5 Package Mounting

Solder pad footprint recommendations for the TPS735 device is available from the TI website at [www.ti.com](http://www.ti.com).

## 11 器件和文档支持

### 11.1 器件支持

#### 11.1.1 开发支持

##### 11.1.1.1 评估模块

有两个评估模块 (EVM) 可与 TPS735 配套使用, 帮助评估初始电路性能。TPS73501EVM-276 评估模块和 TPS73525EVM-276 评估模块 (以及相关的用户指南) 可在 TI 网站上的产品文件夹中获取, 也可直接从 TI eStore 购买。

#### 11.1.2 器件命名规则

表 2. 器件命名规则<sup>(1)</sup>

产品	V <sub>OUT</sub>
TPS735xx(x)yyyz	<p>xx(x) 是标称输出电压。对于分辨率为 100mV 的输出电压, 订购编号中使用两位数字; 否则, 使用三位数字 (例如, 33 = 3.3V; 125 = 1.25V)。</p> <p>yyy 是封装符号。</p> <p>z 是卷带数量 (R = 3000, T = 250)。</p> <p>01 是可调节版本。</p>

(1) 要获得最新的封装和订购信息, 请参阅本文档末尾的封装选项附录, 或者访问 TI 网站 [www.ti.com.cn](http://www.ti.com.cn)。

### 11.2 文档支持

#### 11.2.1 相关文档

请参阅如下相关文档:

- 德州仪器 (TI), 《TPS735EVM-276 用户指南》

### 11.3 商标

All trademarks are the property of their respective owners.

### 11.4 静电放电警告



ESD 可能会损坏该集成电路。德州仪器 (TI) 建议通过适当的预防措施处理所有集成电路。如果不遵守正确的处理措施和安装程序, 可能会损坏集成电路。

ESD 的损坏小至导致微小的性能降级, 大至整个器件故障。精密的集成电路可能更容易受到损坏, 这是因为非常细微的参数更改都可能会导致器件与其发布的规格不相符。

### 11.5 术语表

SLYZ022 — TI 术语表。

这份术语表列出并解释术语、缩写和定义。

## 12 机械、封装和可订购信息

以下页面包含机械、封装和可订购信息。这些信息是指定器件的最新可用数据。数据如有变更, 恕不另行通知, 且不会对此文档进行修订。如需获取此产品说明书的浏览器版本, 请查阅左侧的导航栏。

**PACKAGING INFORMATION**

Orderable part number	Status (1)	Material type (2)	Package   Pins	Package qty   Carrier	RoHS (3)	Lead finish/ Ball material (4)	MSL rating/ Peak reflow (5)	Op temp (°C)	Part marking (6)
<a href="#">TPS73501DRBR</a>	Active	Production	SON (DRB)   8	3000   LARGE T&R	Yes	NIPDAU	Level-2-260C-1 YEAR	-40 to 125	CBK
TPS73501DRBR.B	Active	Production	SON (DRB)   8	3000   LARGE T&R	Yes	NIPDAU	Level-2-260C-1 YEAR	-40 to 125	CBK
<a href="#">TPS73501DRBT</a>	Active	Production	SON (DRB)   8	250   SMALL T&R	Yes	NIPDAU	Level-2-260C-1 YEAR	-40 to 125	CBK
TPS73501DRBT.B	Active	Production	SON (DRB)   8	250   SMALL T&R	Yes	NIPDAU	Level-2-260C-1 YEAR	-40 to 125	CBK
TPS73501DRBTG4	Active	Production	SON (DRB)   8	250   SMALL T&R	Yes	NIPDAU	Level-2-260C-1 YEAR	-40 to 125	CBK
TPS73501DRBTG4.B	Active	Production	SON (DRB)   8	250   SMALL T&R	Yes	NIPDAU	Level-2-260C-1 YEAR	-40 to 125	CBK
<a href="#">TPS73501DRVR</a>	Active	Production	WSON (DRV)   6	3000   LARGE T&R	Yes	NIPDAU   NIPDAUAG	Level-1-260C-UNLIM	-40 to 125	SDR
TPS73501DRVR.B	Active	Production	WSON (DRV)   6	3000   LARGE T&R	Yes	NIPDAUAG	Level-1-260C-UNLIM	-40 to 125	SDR
<a href="#">TPS73501DRVT</a>	Active	Production	WSON (DRV)   6	250   SMALL T&R	Yes	NIPDAU   NIPDAUAG	Level-1-260C-UNLIM	-40 to 125	SDR
TPS73501DRVT.B	Active	Production	WSON (DRV)   6	250   SMALL T&R	Yes	NIPDAUAG	Level-1-260C-UNLIM	-40 to 125	SDR
TPS73501DRVTG4.B	Active	Production	WSON (DRV)   6	250   SMALL T&R	-	Call TI	Call TI	-40 to 125	
<a href="#">TPS73512DRBR</a>	Active	Production	SON (DRB)   8	3000   LARGE T&R	Yes	NIPDAU	Level-2-260C-1 YEAR	-40 to 125	QTT
TPS73512DRBR.B	Active	Production	SON (DRB)   8	3000   LARGE T&R	Yes	NIPDAU	Level-2-260C-1 YEAR	-40 to 125	QTT
TPS73512DRBRG4	Active	Production	SON (DRB)   8	3000   LARGE T&R	Yes	NIPDAU	Level-2-260C-1 YEAR	-40 to 125	QTT
TPS73512DRBRG4.B	Active	Production	SON (DRB)   8	3000   LARGE T&R	Yes	NIPDAU	Level-2-260C-1 YEAR	-40 to 125	QTT
<a href="#">TPS73512DRBT</a>	Active	Production	SON (DRB)   8	250   SMALL T&R	Yes	NIPDAU	Level-2-260C-1 YEAR	-40 to 125	QTT
TPS73512DRBT.B	Active	Production	SON (DRB)   8	250   SMALL T&R	Yes	NIPDAU	Level-2-260C-1 YEAR	-40 to 125	QTT
<a href="#">TPS73515DRBR</a>	Active	Production	SON (DRB)   8	3000   LARGE T&R	Yes	NIPDAU	Level-2-260C-1 YEAR	-40 to 125	QWH
TPS73515DRBR.B	Active	Production	SON (DRB)   8	3000   LARGE T&R	Yes	NIPDAU	Level-2-260C-1 YEAR	-40 to 125	QWH
<a href="#">TPS73515DRBT</a>	Active	Production	SON (DRB)   8	250   SMALL T&R	Yes	NIPDAU	Level-2-260C-1 YEAR	-40 to 125	QWH
TPS73515DRBT.B	Active	Production	SON (DRB)   8	250   SMALL T&R	Yes	NIPDAU	Level-2-260C-1 YEAR	-40 to 125	QWH
TPS73515DRBTG4	Active	Production	SON (DRB)   8	250   SMALL T&R	Yes	NIPDAU	Level-2-260C-1 YEAR	-40 to 125	QWH
TPS73515DRBTG4.B	Active	Production	SON (DRB)   8	250   SMALL T&R	Yes	NIPDAU	Level-2-260C-1 YEAR	-40 to 125	QWH
<a href="#">TPS73525DRBR</a>	Active	Production	SON (DRB)   8	3000   LARGE T&R	Yes	NIPDAU	Level-2-260C-1 YEAR	-40 to 125	CBM
TPS73525DRBR.B	Active	Production	SON (DRB)   8	3000   LARGE T&R	Yes	NIPDAU	Level-2-260C-1 YEAR	-40 to 125	CBM
TPS73525DRBRG4	Active	Production	SON (DRB)   8	3000   LARGE T&R	Yes	NIPDAU	Level-2-260C-1 YEAR	-40 to 125	CBM
TPS73525DRBRG4.B	Active	Production	SON (DRB)   8	3000   LARGE T&R	Yes	NIPDAU	Level-2-260C-1 YEAR	-40 to 125	CBM
<a href="#">TPS73525DRBT</a>	Active	Production	SON (DRB)   8	250   SMALL T&R	Yes	NIPDAU	Level-2-260C-1 YEAR	-40 to 125	CBM
TPS73525DRBT.B	Active	Production	SON (DRB)   8	250   SMALL T&R	Yes	NIPDAU	Level-2-260C-1 YEAR	-40 to 125	CBM

Orderable part number	Status (1)	Material type (2)	Package   Pins	Package qty   Carrier	RoHS (3)	Lead finish/ Ball material (4)	MSL rating/ Peak reflow (5)	Op temp (°C)	Part marking (6)
<a href="#">TPS73525DRVR</a>	Active	Production	WSON (DRV)   6	3000   LARGE T&R	Yes	NIPDAUAG	Level-1-260C-UNLIM	-40 to 125	NSW
TPS73525DRVR.B	Active	Production	WSON (DRV)   6	3000   LARGE T&R	Yes	NIPDAUAG	Level-1-260C-UNLIM	-40 to 125	NSW
<a href="#">TPS73525DRVT</a>	Active	Production	WSON (DRV)   6	250   SMALL T&R	Yes	NIPDAUAG	Level-1-260C-UNLIM	-40 to 125	NSW
TPS73525DRVT.B	Active	Production	WSON (DRV)   6	250   SMALL T&R	Yes	NIPDAUAG	Level-1-260C-UNLIM	-40 to 125	NSW
<a href="#">TPS73527DRVR</a>	Active	Production	WSON (DRV)   6	3000   LARGE T&R	Yes	NIPDAU	Level-1-260C-UNLIM	-40 to 125	RAK
TPS73527DRVR.B	Active	Production	WSON (DRV)   6	3000   LARGE T&R	Yes	NIPDAU	Level-1-260C-UNLIM	-40 to 125	RAK
<a href="#">TPS73527DRVT</a>	Active	Production	WSON (DRV)   6	250   SMALL T&R	Yes	NIPDAU	Level-1-260C-UNLIM	-40 to 125	RAK
TPS73527DRVT.B	Active	Production	WSON (DRV)   6	250   SMALL T&R	Yes	NIPDAU	Level-1-260C-UNLIM	-40 to 125	RAK
TPS73527DRVTG4.B	Active	Production	WSON (DRV)   6	250   SMALL T&R	-	Call TI	Call TI	-40 to 125	
<a href="#">TPS735285DRVR</a>	Active	Production	WSON (DRV)   6	3000   LARGE T&R	Yes	NIPDAUAG	Level-1-260C-UNLIM	-40 to 125	RAW
TPS735285DRVR.B	Active	Production	WSON (DRV)   6	3000   LARGE T&R	Yes	NIPDAUAG	Level-1-260C-UNLIM	-40 to 125	RAW
<a href="#">TPS735285DRVT</a>	Active	Production	WSON (DRV)   6	250   SMALL T&R	Yes	NIPDAUAG	Level-1-260C-UNLIM	-40 to 125	RAW
TPS735285DRVT.B	Active	Production	WSON (DRV)   6	250   SMALL T&R	Yes	NIPDAUAG	Level-1-260C-UNLIM	-40 to 125	RAW
<a href="#">TPS73533DRBR</a>	Active	Production	SON (DRB)   8	3000   LARGE T&R	Yes	NIPDAU	Level-2-260C-1 YEAR	-40 to 125	CVY
TPS73533DRBR.B	Active	Production	SON (DRB)   8	3000   LARGE T&R	Yes	NIPDAU	Level-2-260C-1 YEAR	-40 to 125	CVY
<a href="#">TPS73533DRBT</a>	Active	Production	SON (DRB)   8	250   SMALL T&R	Yes	NIPDAU	Level-2-260C-1 YEAR	-40 to 125	CVY
TPS73533DRBT.B	Active	Production	SON (DRB)   8	250   SMALL T&R	Yes	NIPDAU	Level-2-260C-1 YEAR	-40 to 125	CVY
TPS73533DRBTG4	Active	Production	SON (DRB)   8	250   SMALL T&R	Yes	NIPDAU	Level-2-260C-1 YEAR	-40 to 125	CVY
TPS73533DRBTG4.B	Active	Production	SON (DRB)   8	250   SMALL T&R	Yes	NIPDAU	Level-2-260C-1 YEAR	-40 to 125	CVY
<a href="#">TPS73533DRVR</a>	Active	Production	WSON (DRV)   6	3000   LARGE T&R	Yes	NIPDAU   NIPDAUAG	Level-1-260C-UNLIM	-40 to 125	CVY
TPS73533DRVR.B	Active	Production	WSON (DRV)   6	3000   LARGE T&R	Yes	NIPDAU	Level-1-260C-UNLIM	-40 to 125	CVY
<a href="#">TPS73533DRVT</a>	Active	Production	WSON (DRV)   6	250   SMALL T&R	Yes	NIPDAU   NIPDAUAG	Level-1-260C-UNLIM	-40 to 125	CVY
TPS73533DRVT.B	Active	Production	WSON (DRV)   6	250   SMALL T&R	Yes	NIPDAU	Level-1-260C-UNLIM	-40 to 125	CVY
<a href="#">TPS73534DRBR</a>	Active	Production	SON (DRB)   8	3000   LARGE T&R	Yes	NIPDAU	Level-2-260C-1 YEAR	-40 to 125	QTU
TPS73534DRBR.B	Active	Production	SON (DRB)   8	3000   LARGE T&R	Yes	NIPDAU	Level-2-260C-1 YEAR	-40 to 125	QTU
<a href="#">TPS73534DRBT</a>	Active	Production	SON (DRB)   8	250   SMALL T&R	Yes	NIPDAU	Level-2-260C-1 YEAR	-40 to 125	QTU
TPS73534DRBT.B	Active	Production	SON (DRB)   8	250   SMALL T&R	Yes	NIPDAU	Level-2-260C-1 YEAR	-40 to 125	QTU

<sup>(1)</sup> **Status:** For more details on status, see our [product life cycle](#).

(2) **Material type:** When designated, preproduction parts are prototypes/experimental devices, and are not yet approved or released for full production. Testing and final process, including without limitation quality assurance, reliability performance testing, and/or process qualification, may not yet be complete, and this item is subject to further changes or possible discontinuation. If available for ordering, purchases will be subject to an additional waiver at checkout, and are intended for early internal evaluation purposes only. These items are sold without warranties of any kind.

(3) **RoHS values:** Yes, No, RoHS Exempt. See the [TI RoHS Statement](#) for additional information and value definition.

(4) **Lead finish/Ball material:** Parts may have multiple material finish options. Finish options are separated by a vertical ruled line. Lead finish/Ball material values may wrap to two lines if the finish value exceeds the maximum column width.

(5) **MSL rating/Peak reflow:** The moisture sensitivity level ratings and peak solder (reflow) temperatures. In the event that a part has multiple moisture sensitivity ratings, only the lowest level per JEDEC standards is shown. Refer to the shipping label for the actual reflow temperature that will be used to mount the part to the printed circuit board.

(6) **Part marking:** There may be an additional marking, which relates to the logo, the lot trace code information, or the environmental category of the part.

Multiple part markings will be inside parentheses. Only one part marking contained in parentheses and separated by a "~" will appear on a part. If a line is indented then it is a continuation of the previous line and the two combined represent the entire part marking for that device.

**Important Information and Disclaimer:** The information provided on this page represents TI's knowledge and belief as of the date that it is provided. TI bases its knowledge and belief on information provided by third parties, and makes no representation or warranty as to the accuracy of such information. Efforts are underway to better integrate information from third parties. TI has taken and continues to take reasonable steps to provide representative and accurate information but may not have conducted destructive testing or chemical analysis on incoming materials and chemicals. TI and TI suppliers consider certain information to be proprietary, and thus CAS numbers and other limited information may not be available for release.

In no event shall TI's liability arising out of such information exceed the total purchase price of the TI part(s) at issue in this document sold by TI to Customer on an annual basis.

#### OTHER QUALIFIED VERSIONS OF TPS735 :

- Automotive : [TPS735-Q1](#)

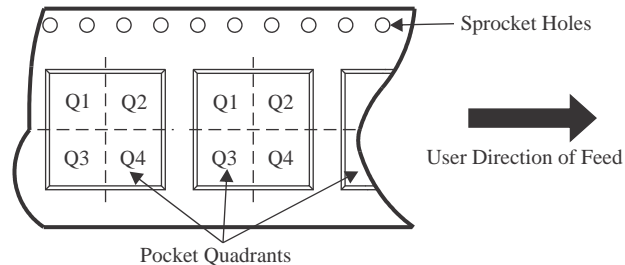
NOTE: Qualified Version Definitions:

- Automotive - Q100 devices qualified for high-reliability automotive applications targeting zero defects

## TAPE AND REEL INFORMATION



### QUADRANT ASSIGNMENTS FOR PIN 1 ORIENTATION IN TAPE



\*All dimensions are nominal

Device	Package Type	Package Drawing	Pins	SPQ	Reel Diameter (mm)	Reel Width W1 (mm)	A0 (mm)	B0 (mm)	K0 (mm)	P1 (mm)	W (mm)	Pin1 Quadrant
TPS73501DRBR	SON	DRB	8	3000	330.0	12.4	3.3	3.3	1.1	8.0	12.0	Q2
TPS73501DRBT	SON	DRB	8	250	180.0	12.5	3.3	3.3	1.1	8.0	12.0	Q2
TPS73501DRBTG4	SON	DRB	8	250	180.0	12.5	3.3	3.3	1.1	8.0	12.0	Q2
TPS73501DRVR	WSON	DRV	6	3000	178.0	8.4	2.25	2.25	1.0	4.0	8.0	Q2
TPS73501DRVT	WSON	DRV	6	250	178.0	8.4	2.25	2.25	1.0	4.0	8.0	Q2
TPS73501DRVT	WSON	DRV	6	250	179.0	8.4	2.2	2.2	1.2	4.0	8.0	Q2
TPS73512DRBR	SON	DRB	8	3000	330.0	12.4	3.3	3.3	1.1	8.0	12.0	Q2
TPS73512DRBRG4	SON	DRB	8	3000	330.0	12.4	3.3	3.3	1.1	8.0	12.0	Q2
TPS73512DRBT	SON	DRB	8	250	180.0	12.4	3.3	3.3	1.1	8.0	12.0	Q2
TPS73515DRBR	SON	DRB	8	3000	330.0	12.4	3.3	3.3	1.1	8.0	12.0	Q2
TPS73515DRBT	SON	DRB	8	250	180.0	12.5	3.3	3.3	1.1	8.0	12.0	Q2
TPS73515DRBTG4	SON	DRB	8	250	180.0	12.5	3.3	3.3	1.1	8.0	12.0	Q2
TPS73525DRBR	SON	DRB	8	3000	330.0	12.4	3.3	3.3	1.1	8.0	12.0	Q2
TPS73525DRBRG4	SON	DRB	8	3000	330.0	12.4	3.3	3.3	1.1	8.0	12.0	Q2
TPS73525DRBT	SON	DRB	8	250	180.0	12.5	3.3	3.3	1.1	8.0	12.0	Q2
TPS73525DRVR	WSON	DRV	6	3000	179.0	8.4	2.2	2.2	1.2	4.0	8.0	Q2

Device	Package Type	Package Drawing	Pins	SPQ	Reel Diameter (mm)	Reel Width W1 (mm)	A0 (mm)	B0 (mm)	K0 (mm)	P1 (mm)	W (mm)	Pin1 Quadrant
TPS73525DRVT	WSON	DRV	6	250	179.0	8.4	2.2	2.2	1.2	4.0	8.0	Q2
TPS73527DRVR	WSON	DRV	6	3000	178.0	8.4	2.25	2.25	1.0	4.0	8.0	Q2
TPS73527DRVT	WSON	DRV	6	250	179.0	8.4	2.2	2.2	1.2	4.0	8.0	Q2
TPS735285DRVR	WSON	DRV	6	3000	179.0	8.4	2.2	2.2	1.2	4.0	8.0	Q2
TPS735285DRVT	WSON	DRV	6	250	179.0	8.4	2.2	2.2	1.2	4.0	8.0	Q2
TPS73533DRBR	SON	DRB	8	3000	330.0	12.4	3.3	3.3	1.1	8.0	12.0	Q2
TPS73533DRBT	SON	DRB	8	250	180.0	12.5	3.3	3.3	1.1	8.0	12.0	Q2
TPS73533DRBTG4	SON	DRB	8	250	180.0	12.5	3.3	3.3	1.1	8.0	12.0	Q2
TPS73533DRVR	WSON	DRV	6	3000	178.0	8.4	2.25	2.25	1.0	4.0	8.0	Q2
TPS73533DRVT	WSON	DRV	6	250	178.0	8.4	2.25	2.25	1.0	4.0	8.0	Q2
TPS73533DRVT	WSON	DRV	6	250	179.0	8.4	2.2	2.2	1.2	4.0	8.0	Q2
TPS73534DRBR	SON	DRB	8	3000	330.0	12.4	3.3	3.3	1.1	8.0	12.0	Q2
TPS73534DRBT	SON	DRB	8	250	180.0	12.4	3.3	3.3	1.1	8.0	12.0	Q2

**TAPE AND REEL BOX DIMENSIONS**


\*All dimensions are nominal

Device	Package Type	Package Drawing	Pins	SPQ	Length (mm)	Width (mm)	Height (mm)
TPS73501DRBR	SON	DRB	8	3000	353.0	353.0	32.0
TPS73501DRBT	SON	DRB	8	250	338.0	355.0	35.0
TPS73501DRBTG4	SON	DRB	8	250	338.0	355.0	35.0
TPS73501DRVR	WSON	DRV	6	3000	205.0	200.0	33.0
TPS73501DRVT	WSON	DRV	6	250	205.0	200.0	33.0
TPS73501DRVT	WSON	DRV	6	250	200.0	183.0	25.0
TPS73512DRBR	SON	DRB	8	3000	353.0	353.0	32.0
TPS73512DRBRG4	SON	DRB	8	3000	353.0	353.0	32.0
TPS73512DRBT	SON	DRB	8	250	213.0	191.0	35.0
TPS73515DRBR	SON	DRB	8	3000	338.0	355.0	35.0
TPS73515DRBT	SON	DRB	8	250	338.0	355.0	35.0
TPS73515DRBTG4	SON	DRB	8	250	338.0	355.0	35.0
TPS73525DRBR	SON	DRB	8	3000	353.0	353.0	32.0
TPS73525DRBRG4	SON	DRB	8	3000	353.0	353.0	32.0
TPS73525DRBT	SON	DRB	8	250	338.0	355.0	35.0
TPS73525DRVR	WSON	DRV	6	3000	200.0	183.0	25.0
TPS73525DRVT	WSON	DRV	6	250	200.0	183.0	25.0
TPS73527DRVR	WSON	DRV	6	3000	205.0	200.0	33.0

Device	Package Type	Package Drawing	Pins	SPQ	Length (mm)	Width (mm)	Height (mm)
TPS73527DRVT	WSON	DRV	6	250	203.0	203.0	35.0
TPS735285DRVR	WSON	DRV	6	3000	200.0	183.0	25.0
TPS735285DRVT	WSON	DRV	6	250	203.0	203.0	35.0
TPS73533DRBR	SON	DRB	8	3000	353.0	353.0	32.0
TPS73533DRBT	SON	DRB	8	250	338.0	355.0	35.0
TPS73533DRBTG4	SON	DRB	8	250	338.0	355.0	35.0
TPS73533DRVR	WSON	DRV	6	3000	205.0	200.0	33.0
TPS73533DRVT	WSON	DRV	6	250	205.0	200.0	33.0
TPS73533DRVT	WSON	DRV	6	250	203.0	203.0	35.0
TPS73534DRBR	SON	DRB	8	3000	353.0	353.0	32.0
TPS73534DRBT	SON	DRB	8	250	213.0	191.0	35.0

## GENERIC PACKAGE VIEW

DRV 6

WSON - 0.8 mm max height

PLASTIC SMALL OUTLINE - NO LEAD



Images above are just a representation of the package family, actual package may vary.  
Refer to the product data sheet for package details.

4206925/F



4225563/A 12/2019

NOTES:

1. All linear dimensions are in millimeters. Any dimensions in parenthesis are for reference only. Dimensioning and tolerancing per ASME Y14.5M.
2. This drawing is subject to change without notice.
3. The package thermal pad must be soldered to the printed circuit board for thermal and mechanical performance.



# EXAMPLE STENCIL DESIGN

DRV0006D

WSON - 0.8 mm max height

PLASTIC SMALL OUTLINE - NO LEAD



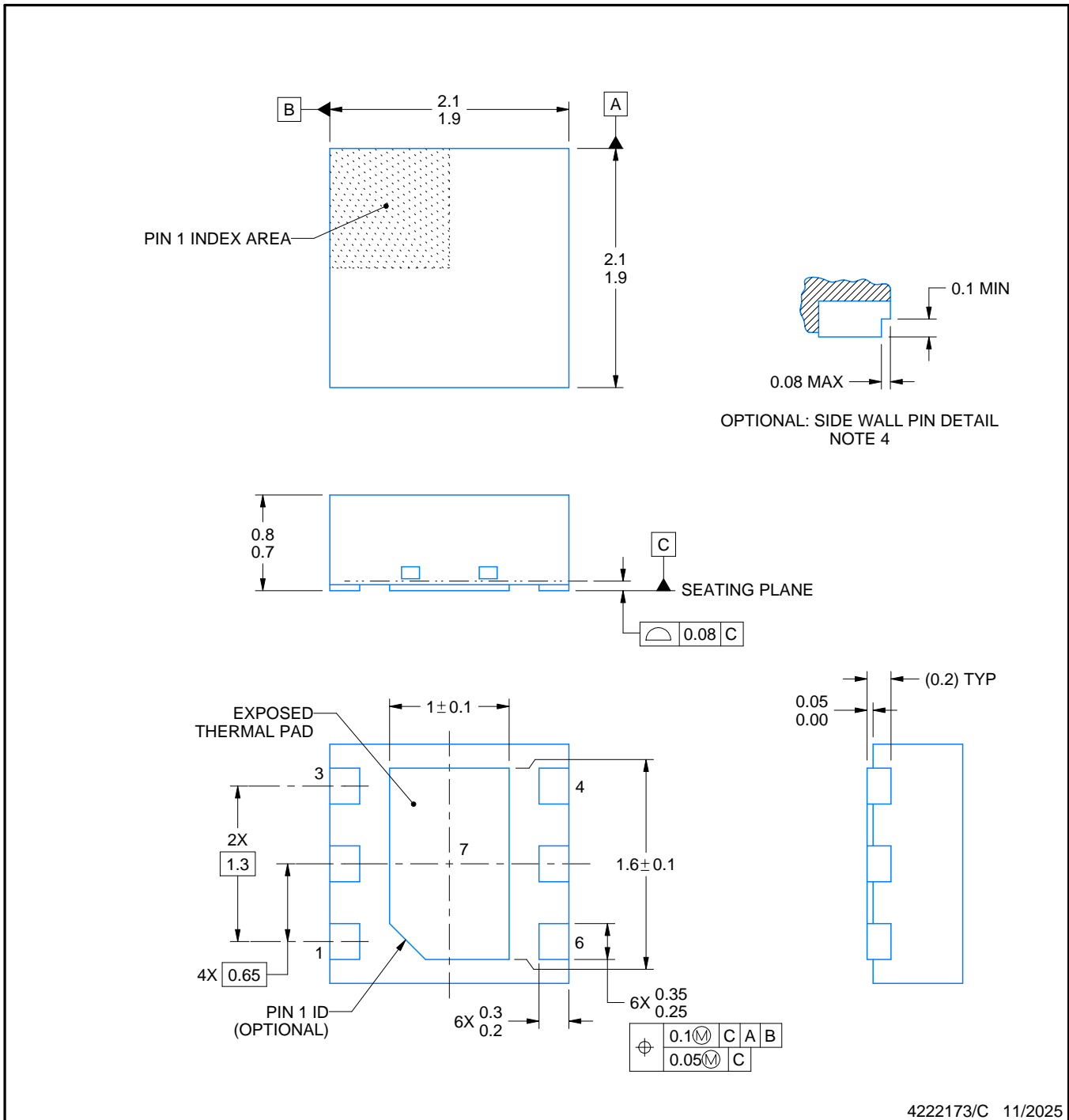
SOLDER PASTE EXAMPLE  
BASED ON 0.125 mm THICK STENCIL

EXPOSED PAD #7  
88% PRINTED SOLDER COVERAGE BY AREA UNDER PACKAGE  
SCALE:30X

4225563/A 12/2019

NOTES: (continued)

6. Laser cutting apertures with trapezoidal walls and rounded corners may offer better paste release. IPC-7525 may have alternate design recommendations.



NOTES:

1. All linear dimensions are in millimeters. Any dimensions in parenthesis are for reference only. Dimensioning and tolerancing per ASME Y14.5M.
2. This drawing is subject to change without notice.
3. The package thermal pad must be soldered to the printed circuit board for thermal and mechanical performance.
4. Minimum 0.1 mm solder wetting on pin side wall. Available for wettable flank version only.



# EXAMPLE STENCIL DESIGN

DRV0006A

WSON - 0.8 mm max height

PLASTIC SMALL OUTLINE - NO LEAD



SOLDER PASTE EXAMPLE  
BASED ON 0.125 mm THICK STENCIL

EXPOSED PAD #7  
88% PRINTED SOLDER COVERAGE BY AREA UNDER PACKAGE  
SCALE:30X

4222173/C 11/2025

NOTES: (continued)

7. Laser cutting apertures with trapezoidal walls and rounded corners may offer better paste release. IPC-7525 may have alternate design recommendations.

**DRB 8**

**GENERIC PACKAGE VIEW**

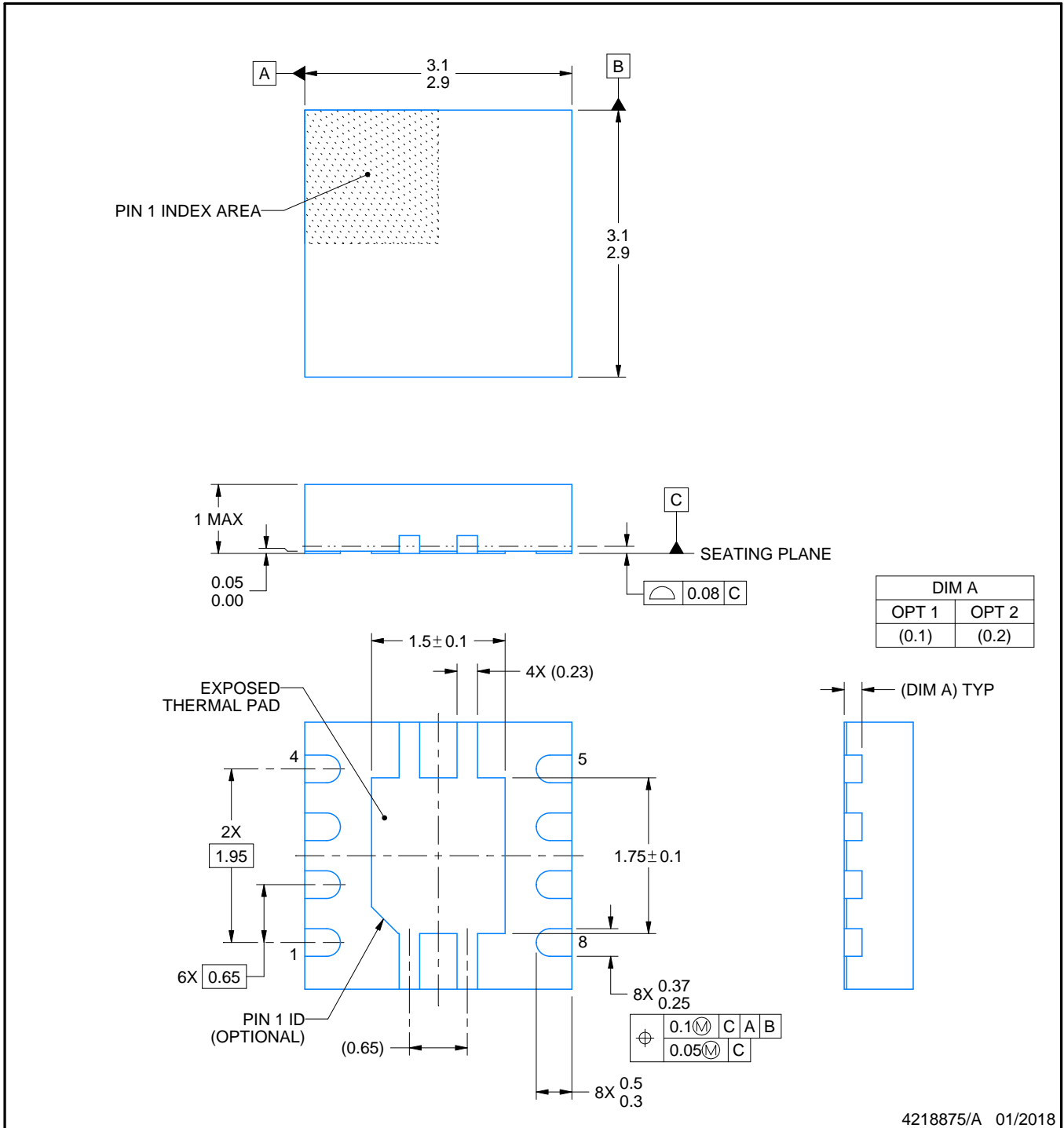
**VSON - 1 mm max height**

PLASTIC SMALL OUTLINE - NO LEAD



Images above are just a representation of the package family, actual package may vary.  
Refer to the product data sheet for package details.

4203482/L



4218875/A 01/2018

NOTES:

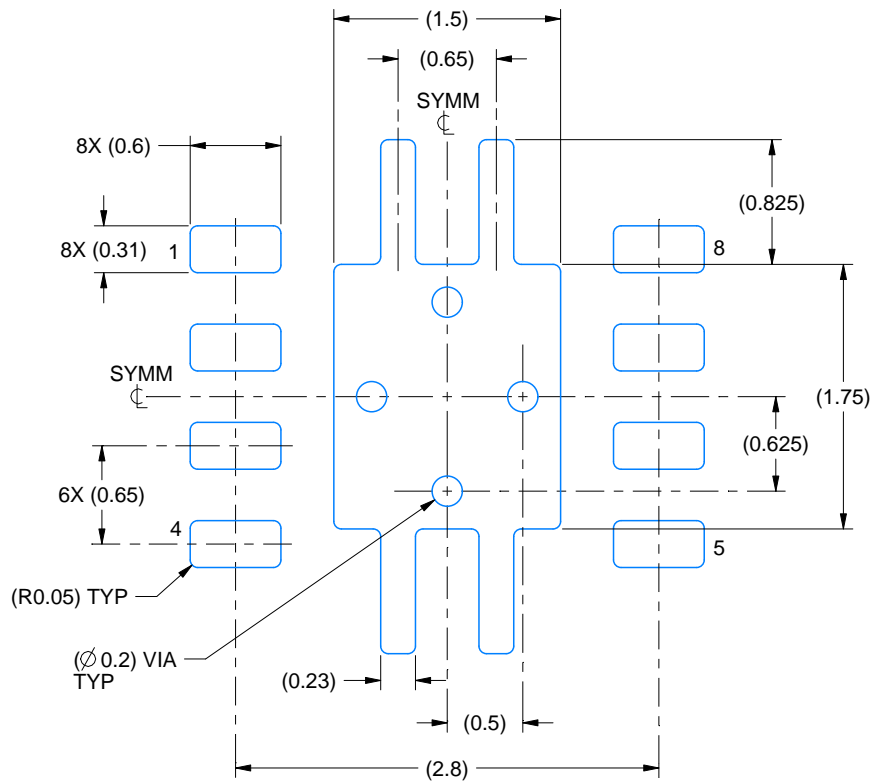
1. All linear dimensions are in millimeters. Any dimensions in parenthesis are for reference only. Dimensioning and tolerancing per ASME Y14.5M.
2. This drawing is subject to change without notice.
3. The package thermal pad must be soldered to the printed circuit board for thermal and mechanical performance.

# EXAMPLE BOARD LAYOUT

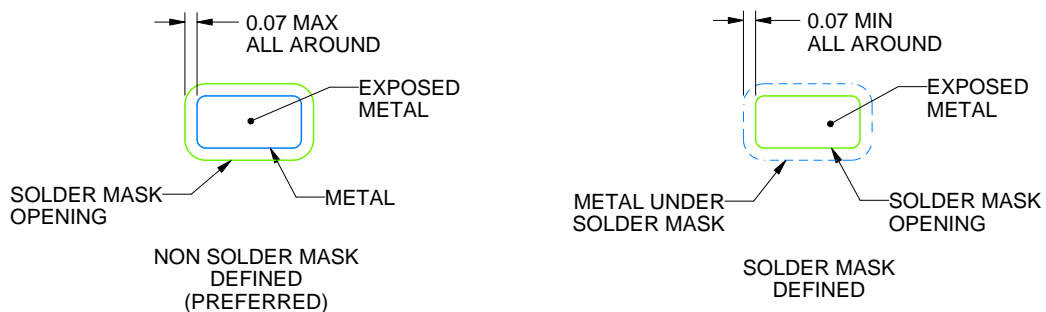
DRB0008A

VSON - 1 mm max height

PLASTIC SMALL OUTLINE - NO LEAD



LAND PATTERN EXAMPLE  
EXPOSED METAL SHOWN  
SCALE:20X



SOLDER MASK DETAILS

4218875/A 01/2018

NOTES: (continued)

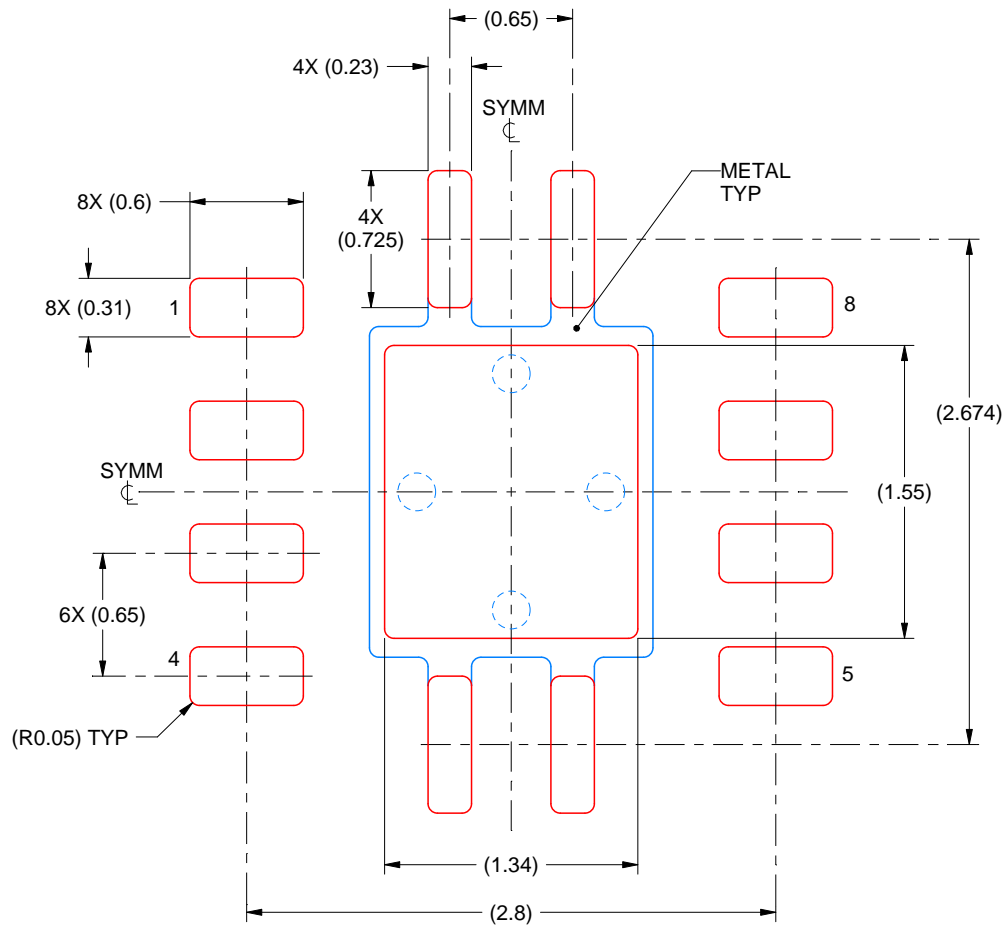
4. This package is designed to be soldered to a thermal pad on the board. For more information, see Texas Instruments literature number SLUA271 ([www.ti.com/lit/slue271](http://www.ti.com/lit/slue271)).
5. Vias are optional depending on application, refer to device data sheet. If any vias are implemented, refer to their locations shown on this view. It is recommended that vias under paste be filled, plugged or tented.

# EXAMPLE STENCIL DESIGN

DRB0008A

VSON - 1 mm max height

PLASTIC SMALL OUTLINE - NO LEAD



SOLDER PASTE EXAMPLE  
BASED ON 0.125 mm THICK STENCIL

EXPOSED PAD  
84% PRINTED SOLDER COVERAGE BY AREA  
SCALE:25X

4218875/A 01/2018

NOTES: (continued)

6. Laser cutting apertures with trapezoidal walls and rounded corners may offer better paste release. IPC-7525 may have alternate design recommendations.

## 重要通知和免责声明

TI“按原样”提供技术和可靠性数据（包括数据表）、设计资源（包括参考设计）、应用或其他设计建议、网络工具、安全信息和其他资源，不保证没有瑕疵且不做任何明示或暗示的担保，包括但不限于对适销性、与某特定用途的适用性或不侵犯任何第三方知识产权的暗示担保。

这些资源可供使用 TI 产品进行设计的熟练开发人员使用。您将自行承担以下全部责任：(1) 针对您的应用选择合适的 TI 产品，(2) 设计、验证并测试您的应用，(3) 确保您的应用满足相应标准以及任何其他安全、安保法规或其他要求。

这些资源如有变更，恕不另行通知。TI 授权您仅可将这些资源用于研发本资源所述的 TI 产品的相关应用。严禁以其他方式对这些资源进行复制或展示。您无权使用任何其他 TI 知识产权或任何第三方知识产权。对于因您对这些资源的使用而对 TI 及其代表造成的任何索赔、损害、成本、损失和债务，您将全额赔偿，TI 对此概不负责。

TI 提供的产品受 [TI 销售条款](#)、[TI 通用质量指南](#) 或 [ti.com](#) 上其他适用条款或 TI 产品随附的其他适用条款的约束。TI 提供这些资源并不会扩展或以其他方式更改 TI 针对 TI 产品发布的适用的担保或担保免责声明。除非德州仪器 (TI) 明确将某产品指定为定制产品或客户特定产品，否则其产品均为按确定价格收入目录的标准通用器件。

TI 反对并拒绝您可能提出的任何其他或不同的条款。

版权所有 © 2026，德州仪器 (TI) 公司

最后更新日期：2025 年 10 月