

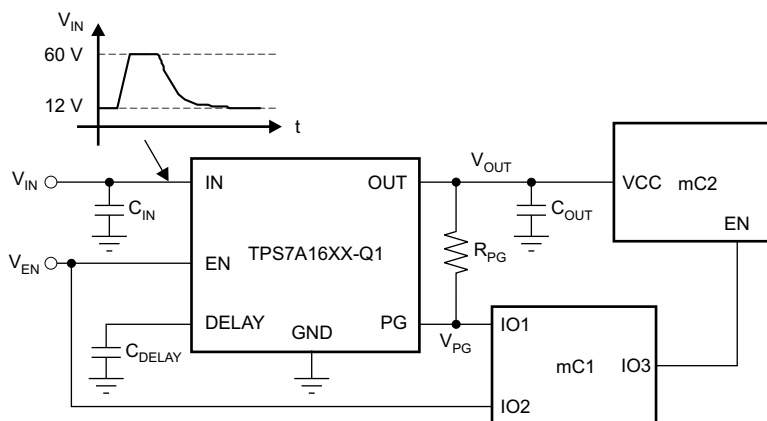
# TPS7A16-Q1 具有使能引脚和电源正常状态指示输出的 60V、5 $\mu$ A I<sub>Q</sub>、100mA 低压降稳压器

## 1 特性

- 符合面向汽车应用的 AEC-Q100 标准：
  - 温度等级 1：-40°C 至 +125°C，T<sub>A</sub>
  - 器件 HBM ESD 分类等级 H2
  - 器件 CDM ESD 分类等级 C3B
- 宽输入电压范围：3V 至 60V
- 超低静态电流：5  $\mu$ A
- 关断时静态电流为：1  $\mu$ A
- 输出电流：100mA
- 低压降：20 mA 时为 60 mV
- 精度：2%
- 可提供：
  - 固定输出电压：3.3V 和 5V
  - 可调节输出电压：大约 1.2 至 18.5V
- 具有可编程延迟的电源正常状态指示功能
- 电流限制和热关断保护
- 与陶瓷输出电容器一起工作时保持稳定：
  - $\geq 2.2\mu\text{F}$
- 功能安全型
  - 可提供用于功能安全系统设计的文档
- 封装：带散热焊盘的高热性能、8 引脚 HVSSOP 封装

## 2 应用

- 紧急呼叫 (eCall)
- 电池管理系统 (BMS)
- 车载充电器 (OBC) 和无线充电器
- 直流/直流转换器



典型应用原理图

## 3 说明

TPS7A16-Q1 超低功耗、低压降 (LDO) 稳压器具有超低静态电流、高输入电压以及微型高热性能封装等诸多优势。

TPS7A16-Q1 设计用于连续或者断续 (备用电源) 电池供电的应用，在此类应用中，超低的静态电流对于延长系统电池的寿命十分关键。

TPS7A16A-Q1 提供了一个与标准 CMOS 逻辑兼容的使能引脚 (EN)，以及一个具有用户可编程延迟的集成开漏高电平有效电源正常状态指示输出 (PG) 引脚。这些引脚用于基于微控制器、由电池供电且需要电源轨排序的应用。

此外，TPS7A16-Q1 设计用于为多节电池解决方案 (从多节电池电动工具组到汽车应用) 生成低电压电源，不仅能够提供一个稳压良好的电压轨，还能够承受瞬态电压并在电压瞬态期间保持稳压状态。这些特性意味着电涌保护电路更加简单且更为经济高效。

### 封装信息

器件型号	封装 <sup>(1)</sup>	封装尺寸 (标称值)
TPS7A16-Q1	DGN (HVSSOP, 8)	3.00mm × 3.00mm

(1) 如需了解所有可用封装，请参阅数据表末尾的可订购产品附录。



## Table of Contents

<b>1 特性</b> .....	1	7.3 Feature Description.....	10
<b>2 应用</b> .....	1	7.4 Device Functional Modes.....	11
<b>3 说明</b> .....	1	<b>8 Application and Implementation</b> .....	12
<b>4 Revision History</b> .....	2	8.1 Application Information.....	12
<b>5 Pin Configuration and Functions</b> .....	3	8.2 Typical Applications.....	12
<b>6 Specifications</b> .....	4	8.3 Power Supply Recommendations.....	17
6.1 Absolute Maximum Ratings.....	4	8.4 Layout.....	18
6.2 ESD Ratings.....	4	<b>9 Device and Documentation Support</b> .....	21
6.3 Recommended Operating Conditions.....	5	9.1 接收文档更新通知.....	21
6.4 Thermal Information.....	5	9.2 支持资源.....	21
6.5 Electrical Characteristics.....	6	9.3 Trademarks.....	21
6.6 Typical Characteristics.....	7	9.4 静电放电警告.....	21
<b>7 Detailed Description</b> .....	10	9.5 术语表.....	21
7.1 Overview.....	10	<b>10 Mechanical, Packaging, and Orderable Information</b> .....	21
7.2 Functional Block Diagram.....	10		

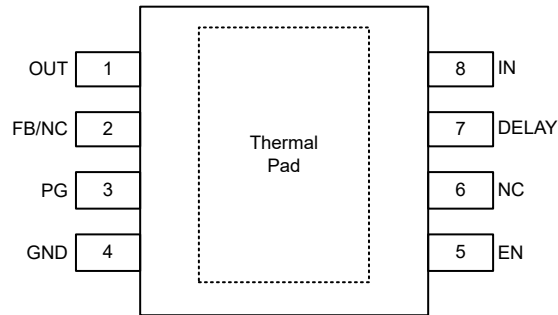
## 4 Revision History

注：以前版本的页码可能与当前版本的页码不同

<b>Changes from Revision D (August 2014) to Revision E (May 2023)</b>	<b>Page</b>
• 向 <i>特性</i> 部分添加了 <i>功能安全</i> 和 <i>封装</i> 要点.....	1
• 添加了指向 <i>应用</i> 部分的链接.....	1
• Changed pinout drawing to show pin 2 as FB/NC instead of FB/DNC and changed description of pin 2 in <i>Pin Functions</i> table.....	3

<b>Changes from Revision C (August 2014) to Revision D (May 2016)</b>	<b>Page</b>
• 更改了数据表标题.....	1
• Changed <i>Handling Ratings</i> table to <i>ESD Ratings</i> ; moved storage temperature to <i>Absolute Maximum Ratings</i> .....	4
• Changed maximum EN pin voltage and added a row for EN slew rate.....	5
• Changed UNIT for accuracy on $V_{OUT}$ .....	6
• Changed <i>Ground current</i> to <i>Quiescent current</i> .....	6
• Changed 图 6-2.....	7
• Changed caption of 图 6-3.....	7
• Changed and added text in <i>Enable (EN)</i> section.....	10
• Moved three paragraphs of text from <i>Layout Examples</i> to <i>Layout Guidelines</i> .....	18

## 5 Pin Configuration and Functions



NC - No internal connection

图 5-1. DGN Package, 8-Pin HVSSOP With Exposed Thermal Pad (Top View)

表 5-1. Pin Functions

PIN		TYPE	DESCRIPTION
NAME	NO.		
DELAY	7	O	Delay pin. Connect a capacitor to GND to adjust the PG delay time; leave open if the reset function is not needed.
EN	5	I	Enable pin. This pin turns the regulator on or off. If $V_{EN} \geq V_{EN\_HI}$ , the regulator is enabled. If $V_{EN} \leq V_{EN\_LO}$ , the regulator is disabled. If not used, the EN pin can be connected to IN. Make sure that $V_{EN} \leq V_{IN}$ at all times.
FB/NC	2	I	This pin is a feedback pin when using an external resistor divider or an NC pin when using the device with a fixed output voltage. When using the adjustable device, this pin must be connected through a resistor divider to the output for the device to function. If using a fixed output this pin can either be left floating or connected to GND.
GND	4	—	Ground pin
IN	8	I	Regulator input supply pin. A capacitor $> 0.1 \mu\text{F}$ must be tied from this pin to ground to assure stability. Connect a $10\text{-}\mu\text{F}$ ceramic capacitor from IN to GND (as close to the device as possible) to reduce circuit sensitivity to printed-circuit-board (PCB) layout, especially when long input tracer or high source impedances are encountered.
NC	6	—	This pin can be left open or tied to any voltage between GND and IN.
OUT	1	O	Regulator output pin. A capacitor $> 2.2 \mu\text{F}$ must be tied from this pin to ground to assure stability. Connect a $10\text{-}\mu\text{F}$ ceramic capacitor from OUT to GND (as close to the device as possible) to maximize ac performance.
PG	3	O	Power-good pin. Open-collector output; leave open or connect to GND if the power-good function is not needed.
Thermal pad		—	Solder to printed circuit board (PCB) to enhance thermal performance. Although the thermal pad can be left floating, connecting the thermal pad to the GND plane is highly recommended.

## 6 Specifications

### 6.1 Absolute Maximum Ratings

over operating ambient temperature range (unless otherwise noted) <sup>(1)</sup>

		MIN	MAX	UNIT
Voltage	IN pin to GND pin	- 0.3	62	V
	OUT pin to GND pin	- 0.3	20	
	OUT pin to IN pin	- 62	0.3	
	FB pin to GND pin	- 0.3	3	
	FB pin to IN pin	- 62	0.3	
	EN pin to IN pin	- 62	0.3	
	EN pin to GND pin	- 0.3	62	
	PG pin to GND pin	- 0.3	5.5	
	DELAY pin to GND pin	- 0.3	5.5	
Current	Peak output	Internally limited		
Temperature	Operating virtual junction, T <sub>J</sub> , absolute maximum range <sup>(2)</sup>	- 40	150	°C
	Storage temperature range	- 65	150	

- (1) Stresses beyond those listed under *Absolute Maximum Ratings* may cause permanent damage to the device. These are stress ratings only, which do not imply functional operation of the device at these or any other conditions beyond those indicated under *Recommended Operating Conditions*. Exposure to absolute-maximum-rated conditions for extended periods may affect device reliability.
- (2) Permanent damage does not occur to the part operating within this range, though electrical performance is not guaranteed outside the operating ambient temperature range.

### 6.2 ESD Ratings

		MIN	MAX	UNIT		
V <sub>(ESD)</sub>	Electrostatic discharge	Human body model (HBM), per AEC Q100-002 <sup>(1)</sup>	- 2	2	kV	
		Charged device model (CDM), per AEC Q100-011	Corner pins (OUT, GND, IN, and EN)	- 750	750	V
			Other pins	- 500	500	

- (1) AEC Q100-002 indicates HBM stressing is done in accordance with the ANSI/ESDA/JEDEC JS-001 specification.

### 6.3 Recommended Operating Conditions

over operating ambient temperature range (unless otherwise noted)

		MIN	NOM	MAX	UNIT
V <sub>IN</sub>	Unregulated input	3		60	V
V <sub>OUT</sub>	Regulated output	1.2		18	V
EN	Voltage	0		V <sub>IN</sub>	V
	Slew rate, voltage ramp-up			1.5	V/μs
DELAY	Delay pin voltage	0		5	V
PG	Power-good pin voltage	0		5	V
T <sub>J</sub>	Operating junction temperature range	- 40		150	°C

### 6.4 Thermal Information

THERMAL METRIC <sup>(1)</sup>		TPS7A16-Q1		UNIT
		DGN (HVSSOP)		
		8 PINS		
R <sub>θJA</sub>	Junction-to-ambient thermal resistance	66.2		°C/W
R <sub>θJC(top)</sub>	Junction-to-case(top) thermal resistance	45.9		°C/W
R <sub>θJB</sub>	Junction-to-board thermal resistance	34.6		°C/W
ψ <sub>JT</sub>	Junction-to-top characterization parameter	1.9		°C/W
ψ <sub>JB</sub>	Junction-to-board characterization parameter	34.3		°C/W
R <sub>θJC(bot)</sub>	Junction-to-case(bottom) thermal resistance	14.9		°C/W

- (1) For more information about traditional and new thermal metrics, see the [Semiconductor and IC Package Thermal Metrics application note](#).

## 6.5 Electrical Characteristics

at  $T_A = -40^\circ\text{C}$  to  $+125^\circ\text{C}$ ,  $V_{IN} = V_{OUT(NOM)} + 0.5\text{ V}$  or  $V_{IN} = 3\text{ V}$  (whichever is greater),  $V_{EN} = V_{IN}$ ,  $I_{OUT} = 10\ \mu\text{A}$ ,  $C_{IN} = 1\ \mu\text{F}$ ,  $C_{OUT} = 2.2\ \mu\text{F}$ , and FB tied to OUT (unless otherwise noted)

PARAMETER		TEST CONDITIONS	MIN	TYP	MAX	UNIT
$V_{IN}$	Input voltage range		3		60	V
$V_{REF}$	Internal reference	$T_A = 25^\circ\text{C}$ , $V_{FB} = V_{REF}$ , $V_{IN} = 3\text{ V}$ , $I_{OUT} = 10\ \mu\text{A}$	1.169	1.193	1.217	V
$V_{UVLO}$	Undervoltage lockout threshold			2.7		V
$V_{OUT}$	Output voltage range	$V_{IN} \geq V_{OUT(NOM)} + 0.5\text{ V}$	$V_{REF}$		18.5	V
	Nominal accuracy	$T_A = 25^\circ\text{C}$ , $V_{IN} = 3\text{ V}$ , $I_{OUT} = 10\ \mu\text{A}$	-2%		2%	
	Overall accuracy	$V_{OUT(NOM)} + 0.5\text{ V} \leq V_{IN} \leq 60\text{ V}^{(1)}$ $10\ \mu\text{A} \leq I_{OUT} \leq 100\text{ mA}$	-2%		2%	
$\Delta V_{O(\Delta V_I)}$	Line regulation	$3\text{ V} \leq V_{IN} \leq 60\text{ V}$		$\pm 1$		$\%V_{OUT}$
$\Delta V_{O(\Delta I_O)}$	Load regulation	$10\ \mu\text{A} \leq I_{OUT} \leq 100\text{ mA}$		$\pm 1$		$\%V_{OUT}$
$V_{DO}$	Dropout voltage	$V_{IN} = 4.5\text{ V}$ , $V_{OUT(NOM)} = 5\text{ V}$ , $I_{OUT} = 20\text{ mA}$		60		mV
		$V_{IN} = 4.5\text{ V}$ , $V_{OUT(NOM)} = 5\text{ V}$ , $I_{OUT} = 100\text{ mA}$		265	500	mV
$I_{LIM}$	Current limit	$V_{OUT} = 90\% V_{OUT(NOM)}$ , $V_{IN} = 3.0\text{ V}$	101	225	400	mA
$I_Q$	Quiescent current	$3\text{ V} \leq V_{IN} \leq 60\text{ V}$ , $I_{OUT} = 10\ \mu\text{A}$		5	15	$\mu\text{A}$
		$I_{OUT} = 100\text{ mA}$		5		$\mu\text{A}$
$I_{SHDN}$	Shutdown supply current	$V_{EN} = 0.4\text{ V}$		0.59	5.0	$\mu\text{A}$
$I_{FB}$	Feedback current <sup>(2)</sup>		-1	0.0	1	$\mu\text{A}$
$I_{EN}$	Enable current	$3\text{ V} \leq V_{IN} \leq 12\text{ V}$ , $V_{IN} = V_{EN}$	-1	0.01	1	$\mu\text{A}$
$V_{EN\_HI}$	Enable high-level voltage		1.2			V
$V_{EN\_LO}$	Enable low-level voltage				0.3	V
$V_{IT}$	PG trip threshold	OUT pin floating, $V_{FB}$ increasing, $V_{IN} \geq V_{IN\_MIN}$	85		95	$\%V_{OUT}$
		OUT pin floating, $V_{FB}$ decreasing, $V_{IN} \geq V_{IN\_MIN}$	83		93	$\%V_{OUT}$
$V_{HYS}$	PG trip hysteresis			2.3	4	$\%V_{OUT}$
$V_{PG\_LO}$	PG output low voltage	OUT pin floating, $V_{FB} = 80\% V_{REF}$ , $I_{PG} = 1\text{ mA}$			0.4	V
$I_{PG\_LKG}$	PG leakage current	$V_{PG} = V_{OUT(NOM)}$	-1		1	$\mu\text{A}$
$I_{DELAY}$	DELAY pin current			1	2	$\mu\text{A}$
PSRR	Power-supply rejection ratio	$V_{IN} = 3\text{ V}$ , $V_{OUT(NOM)} = V_{REF}$ , $C_{OUT} = 10\ \mu\text{F}$ , $f = 100\text{ Hz}$		50		dB
$T_{SD}$	Thermal shutdown temperature	Shutdown, temperature increasing		170		$^\circ\text{C}$
		Reset, temperature decreasing		150		$^\circ\text{C}$
$T_A$	Operating ambient temperature range		-40		125	$^\circ\text{C}$

(1) Maximum input voltage is limited to 24 V because of the package power dissipation limitations at full load ( $P \approx (V_{IN} - V_{OUT}) \times I_{OUT} = (24\text{ V} - V_{REF}) \times 50\text{ mA} \approx 1.14\text{ W}$ ). The device is capable of sourcing a maximum current of 50 mA at higher input voltages as long as the power dissipated is within the thermal limits of the package plus any external heat sinking.

(2)  $I_{FB} > 0$  flows out of the device.

## 6.6 Typical Characteristics

at  $T_A = -40^\circ\text{C}$  to  $+125^\circ\text{C}$ ,  $V_{IN} = V_{OUT(NOM)} + 0.5\text{ V}$  or  $V_{IN} = 3\text{ V}$  (whichever is greater),  $V_{EN} = V_{IN}$ ,  $I_{OUT} = 10\ \mu\text{A}$ ,  $C_{IN} = 1\ \mu\text{F}$ ,  $C_{OUT} = 2.2\ \mu\text{F}$ , and FB tied to OUT (unless otherwise noted)

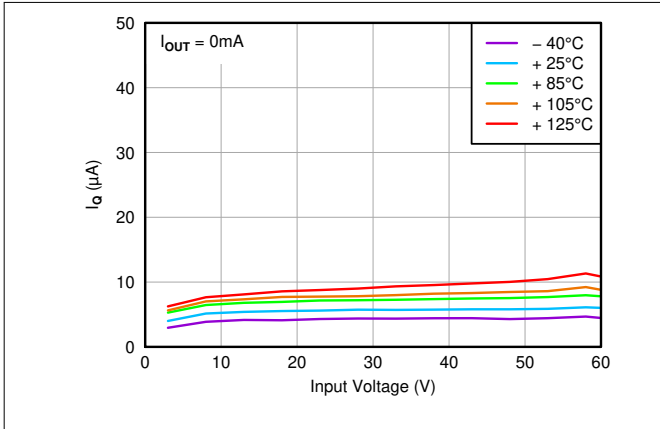


图 6-1. Quiescent Current vs Input Voltage

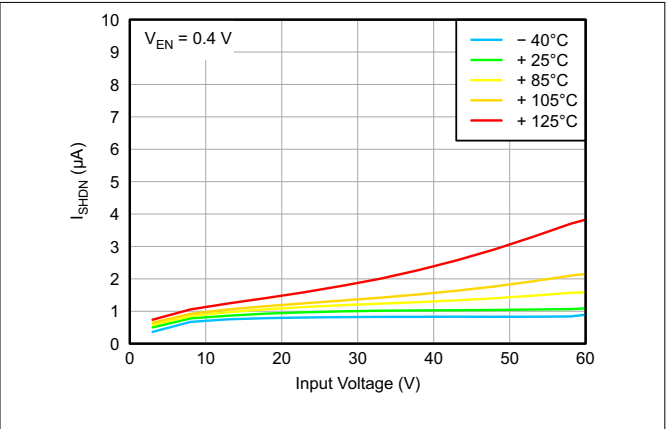


图 6-2. Shutdown Current vs Input Voltage

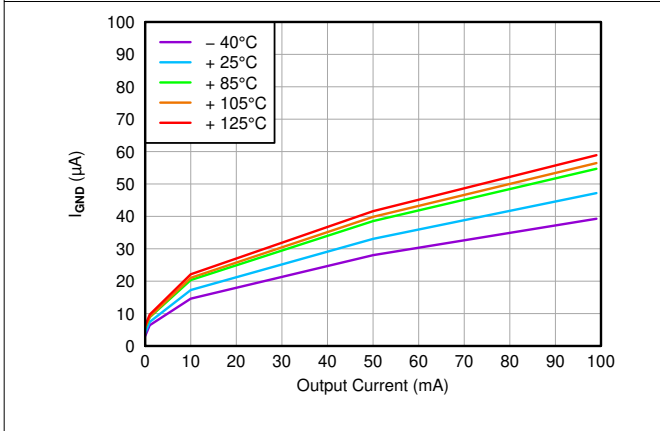


图 6-3. Quiescent Current vs Output Current

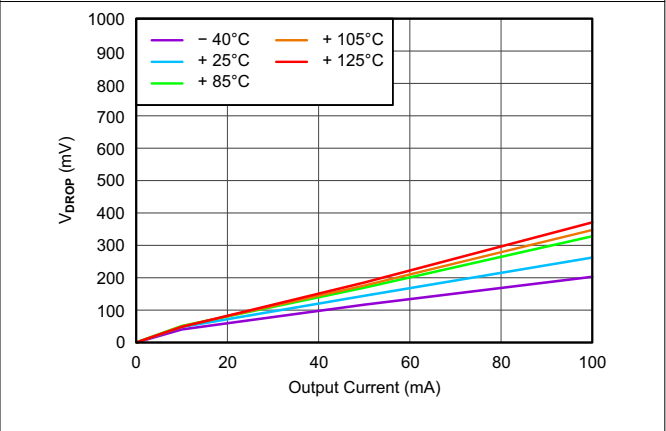


图 6-4. Dropout Voltage vs Output Current

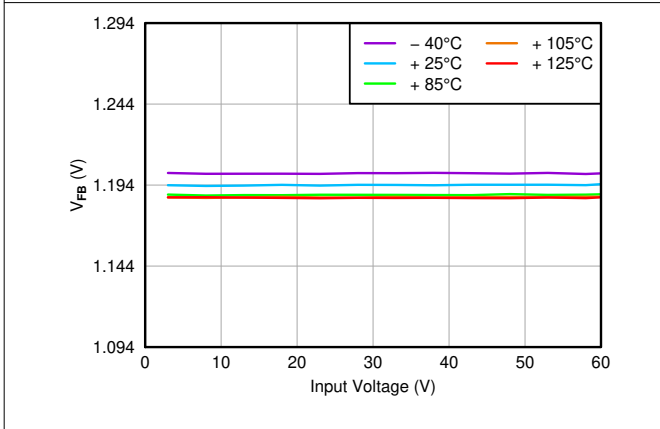


图 6-5. Feedback Voltage vs Input Voltage

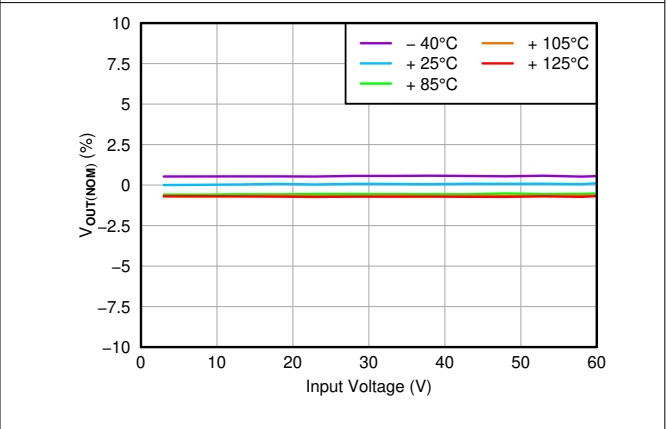


图 6-6. Line Regulation

## 6.6 Typical Characteristics (continued)

at  $T_A = -40^\circ\text{C}$  to  $+125^\circ\text{C}$ ,  $V_{IN} = V_{OUT(NOM)} + 0.5\text{ V}$  or  $V_{IN} = 3\text{ V}$  (whichever is greater),  $V_{EN} = V_{IN}$ ,  $I_{OUT} = 10\ \mu\text{A}$ ,  $C_{IN} = 1\ \mu\text{F}$ ,  $C_{OUT} = 2.2\ \mu\text{F}$ , and FB tied to OUT (unless otherwise noted)

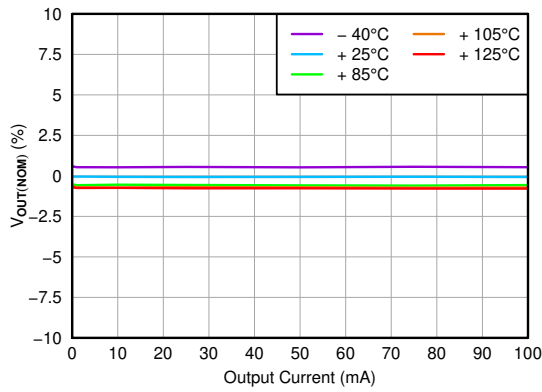


图 6-7. Load Regulation

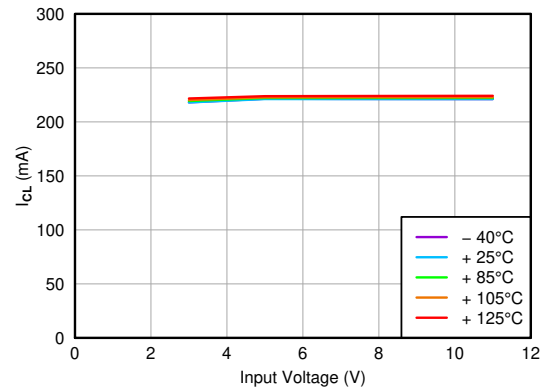


图 6-8. Current Limit vs Input Voltage

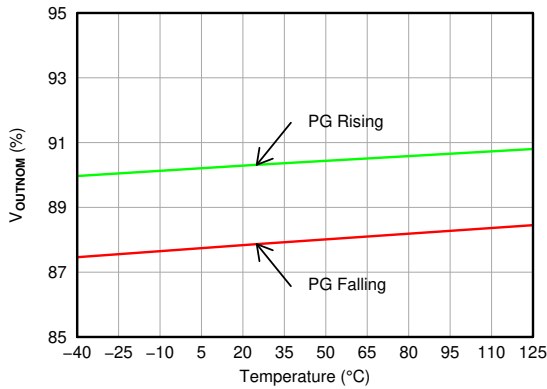


图 6-9. Power-Good Threshold Voltage vs Temperature

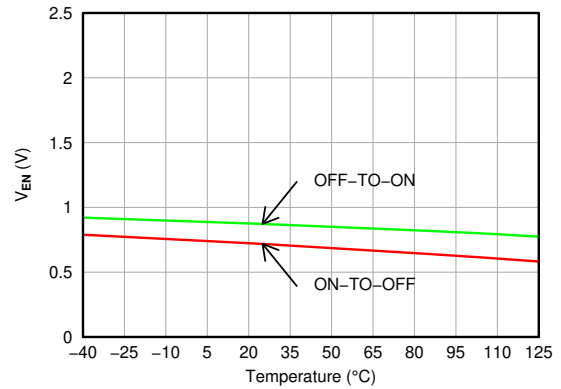


图 6-10. Enable Threshold Voltage vs Temperature

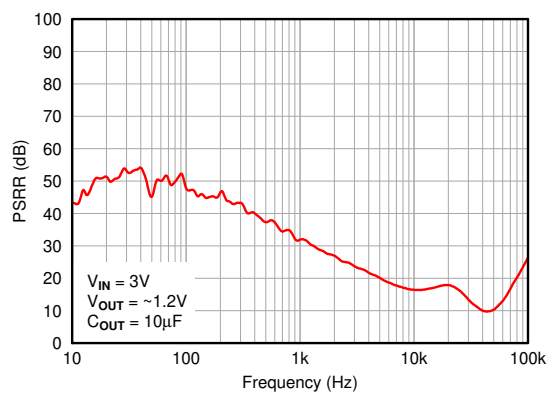


图 6-11. Power-Supply Rejection Ratio

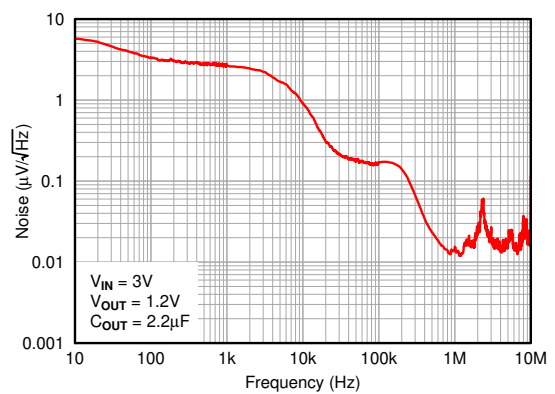
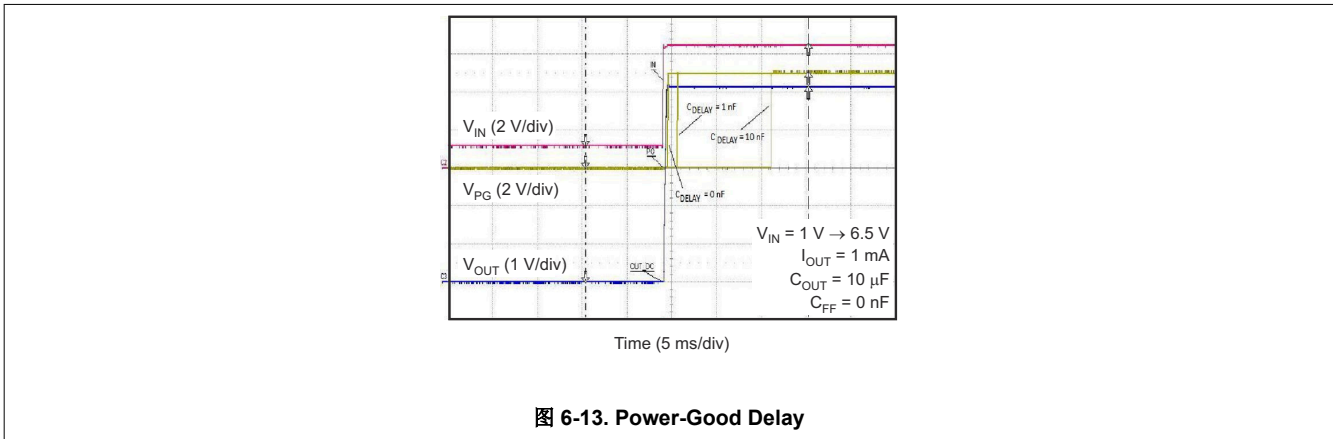


图 6-12. Output Spectral Noise Density

### 6.6 Typical Characteristics (continued)

at  $T_A = -40^\circ\text{C}$  to  $+125^\circ\text{C}$ ,  $V_{IN} = V_{OUT(NOM)} + 0.5\text{ V}$  or  $V_{IN} = 3\text{ V}$  (whichever is greater),  $V_{EN} = V_{IN}$ ,  $I_{OUT} = 10\ \mu\text{A}$ ,  $C_{IN} = 1\ \mu\text{F}$ ,  $C_{OUT} = 2.2\ \mu\text{F}$ , and FB tied to OUT (unless otherwise noted)

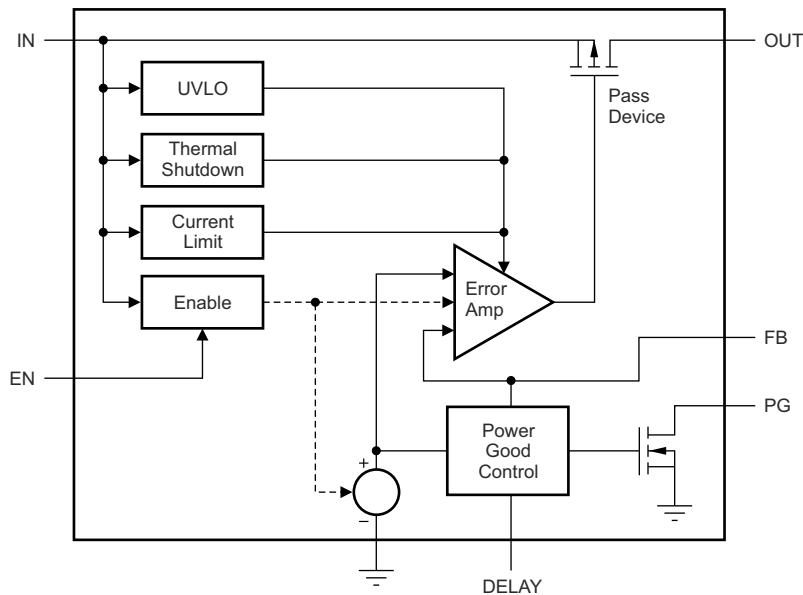


## 7 Detailed Description

### 7.1 Overview

The TPS7A16-Q1 is an ultra low power, low-dropout (LDO) voltage regulator that offers the benefits of ultra-low quiescent current, high input voltage, and miniaturized, high thermal-performance packaging. The TPS7A16-Q1 also offers an enable pin (EN) and integrated open-drain, active-high, power-good output (PG) with a user-programmable delay.

### 7.2 Functional Block Diagram



### 7.3 Feature Description

#### 7.3.1 Enable (EN)

The enable pin is a high-voltage-tolerant pin. A high input on EN activates the device and turns on the regulator. For self-bias applications, connect this input to the  $V_{IN}$  pin. Make sure that  $V_{EN} \leq V_{IN}$  at all times.

When the enable signal is PWM pulses, the slew rate of the rising and falling edges must be less than  $1.5 \text{ V}/\mu\text{s}$ . Adding a  $0.1\text{-}\mu\text{F}$  capacitor from the EN pin to GND is recommended.

#### 7.3.2 Regulated Output ( $V_{OUT}$ )

The  $V_{OUT}$  pin is the regulated output based on the required voltage. The output has current limitation. During initial power-up, the regulator has a soft-start incorporated to control the initial current through the pass transistor. In the event that the regulator drops out of regulation, the output tracks the input minus a drop based on the load current. When the input voltage drops below the undervoltage lockout (UVLO) threshold, the regulator shuts down until the input voltage recovers above the minimum start-up level.

#### 7.3.3 PG Delay Timer (DELAY)

The power-good delay time ( $t_{DELAY}$ ) is defined as the time period from when  $V_{OUT}$  exceeds the PG trip threshold voltage ( $V_{IT}$ ) to when the PG output is high. This power-good delay time is set by an external capacitor ( $C_{DELAY}$ ) connected from the DELAY pin to GND; this capacitor is charged from 0 V to approximately 1.8 V by the DELAY pin current ( $I_{DELAY}$ ) when  $V_{OUT}$  exceeds the PG trip threshold ( $V_{IT}$ ).

## 7.4 Device Functional Modes

### 7.4.1 Power-Good

The power-good (PG) pin is an open-drain output and can be connected to any 5.5-V or lower rail through an external pullup resistor. When no  $C_{\text{DELAY}}$  is used, the PG output is high-impedance when  $V_{\text{OUT}}$  is greater than the PG trip threshold ( $V_{\text{IT}}$ ). If  $V_{\text{OUT}}$  drops below  $V_{\text{IT}}$ , the open-drain output turns on and pulls the PG output low. If output voltage monitoring is not needed, the PG pin can be left floating or connected to GND.

To provide proper operation of the power-good feature, maintain  $V_{\text{IN}} \geq 3 \text{ V}$  ( $V_{\text{IN\_MIN}}$ ).

### 7.4.2 Power-Good Delay and Delay Capacitor

The power-good delay time ( $t_{\text{DELAY}}$ ) is defined as the time period from when  $V_{\text{OUT}}$  exceeds the PG trip threshold voltage ( $V_{\text{IT}}$ ) to when the PG output is high. This power-good delay time is set by an external capacitor ( $C_{\text{DELAY}}$ ) connected from the DELAY pin to GND; this capacitor is charged from 0 V to approximately 1.8 V by the DELAY pin current ( $I_{\text{DELAY}}$ ) when  $V_{\text{OUT}}$  exceeds the PG trip threshold ( $V_{\text{IT}}$ ).

When  $C_{\text{DELAY}}$  is used, the PG output is high-impedance when  $V_{\text{OUT}}$  exceeds  $V_{\text{IT}}$ , and  $V_{\text{DELAY}}$  exceeds  $V_{\text{REF}}$ .

The power-good delay time can be calculated using:  $t_{\text{DELAY}} = (C_{\text{DELAY}} \times V_{\text{REF}}) / I_{\text{DELAY}}$ . For example, when  $C_{\text{DELAY}} = 10 \text{ nF}$ , the PG delay time is approximately 12 ms; that is,  $(10 \text{ nF} \times 1.193 \text{ V}) / 1 \text{ } \mu\text{A} = 11.93 \text{ ms}$ .

## 8 Application and Implementation

### 备注

以下应用部分中的信息不属于 TI 器件规格的范围，TI 不担保其准确性和完整性。TI 的客户应负责确定器件是否适用于其应用。客户应验证并测试其设计，以确保系统功能。

### 8.1 Application Information

The TPS7A16-Q1 ultra-low-power voltage regulator offers the benefit of ultra-low quiescent current, high input voltage, and miniaturized, high-thermal-performance packaging.

The TPS7A16-Q1 is designed for continuous or sporadic (power backup) battery-operated applications where ultra-low quiescent current is critical to extending system battery life.

### 8.2 Typical Applications

#### 8.2.1 TPS7A1601-Q1 Circuit as an Adjustable Regulator

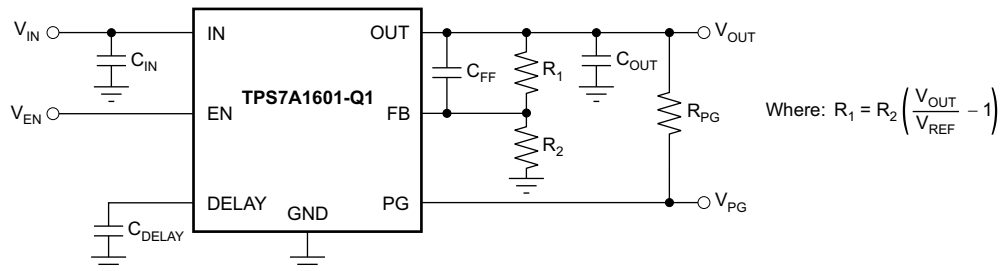


图 8-1. TPS7A1601-Q1 Circuit as an Adjustable Regulator Schematic

#### 8.2.1.1 Design Requirements

表 8-1. Design Parameters

DESIGN PARAMETER	EXAMPLE VALUE
Input voltage range	5.5 V to 40 V
Output voltage	5 V
Output current rating	100 mA
Output capacitor range	2.2 $\mu$ F to 100 $\mu$ F
Delay capacitor range	100 pF to 100 nF

## 8.2.1.2 Detailed Design Procedure

### 8.2.1.2.1 Adjustable Voltage Operation

The TPS7A1601-Q1 has an output voltage range from 1.194 V to 20 V. The nominal output of the device is set by two external resistors, as shown in 图 8-2:

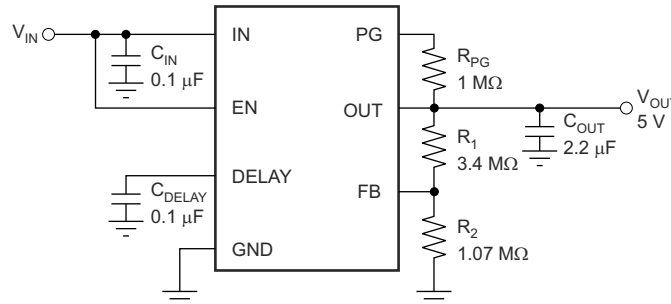


图 8-2. Adjustable Operation

$R_1$  and  $R_2$  can be calculated for any output voltage range using the formula shown in 方程式 1:

$$R_1 = R_2 \left( \frac{V_{OUT}}{V_{REF}} - 1 \right) \quad (1)$$

### 8.2.1.2.2 Resistor Selection

Use resistors in the order of megaohms ( $M\Omega$ ) to keep the overall quiescent current of the system as low as possible (by making the current used by the resistor divider negligible compared to the quiescent current of the device).

If greater voltage accuracy is required, take into account the voltage offset contributions as a result of feedback current and use 0.1% tolerance resistors.

表 8-2 shows the resistor combination to achieve an output for a few of the most common rails using commercially available 0.1% tolerance resistors to maximize nominal voltage accuracy, while adhering to the formula shown in 方程式 1.

表 8-2. Selected Resistor Combinations

$V_{OUT}$	$R_1$	$R_2$	$V_{OUT}/(R_1 + R_2) \ll I_Q$	NOMINAL ACCURACY
1.194 V	0 $\Omega$	$\infty$	0 $\mu A$	$\pm 2\%$
1.8 V	1.18 $M\Omega$	2.32 $M\Omega$	514 nA	$\pm(2\% + 0.14\%)$
2.5 V	1.5 $M\Omega$	1.37 $M\Omega$	871 nA	$\pm(2\% + 0.16\%)$
3.3 V	2 $M\Omega$	1.13 $M\Omega$	1056 nA	$\pm(2\% + 0.35\%)$
5 V	3.4 $M\Omega$	1.07 $M\Omega$	1115 nA	$\pm(2\% + 0.39\%)$
10 V	7.87 $M\Omega$	1.07 $M\Omega$	1115 nA	$\pm(2\% + 0.42\%)$
12 V	14.3 $M\Omega$	1.58 $M\Omega$	755 nA	$\pm(2\% + 0.18\%)$
15 V	42.2 $M\Omega$	3.65 $M\Omega$	327 nA	$\pm(2\% + 0.19\%)$
18 V	16.2 $M\Omega$	1.15 $M\Omega$	1038 nA	$\pm(2\% + 0.26\%)$

Close attention must be paid to board contamination when using high-value resistors; board contaminants can significantly impact voltage accuracy. If board cleaning measures cannot be ensured, consider using a fixed-voltage version of the TPS7A16 or using resistors in the order of hundreds or tens of kilohms ( $k\Omega$ ).

### 8.2.1.2.3 Capacitor Recommendations

Use low equivalent-series-resistance (ESR) capacitors for the input, output, and feed-forward capacitors. Ceramic capacitors with X7R and X5R dielectrics are preferred. These dielectrics offer more stable characteristics. Ceramic X7R capacitors offer improved overtemperature performance, whereas ceramic X5R capacitors are the most cost-effective and are available in higher values.

However, high-ESR capacitors can degrade PSRR.

### 8.2.1.2.4 Input and Output Capacitor Requirements

The TPS7A16-Q1 ultra-low-power, high-voltage linear regulators achieve stability with a minimum input capacitance of 0.1  $\mu\text{F}$  and output capacitance of 2.2  $\mu\text{F}$ ; however, use a 10- $\mu\text{F}$  ceramic capacitor to maximize ac performance.

### 8.2.1.2.5 Feed-Forward Capacitor (Only for Adjustable Version)

Although a feed-forward capacitor ( $C_{FF}$ ) from OUT to FB is not needed to achieve stability, using a 0.01- $\mu\text{F}$  feed-forward capacitor to maximizes ac performance.

### 8.2.1.2.6 Transient Response

As with any regulator, increasing the size of the output capacitor reduces over- and undershoot magnitude but increases the duration of the transient response.

## 8.2.1.3 Application Curves

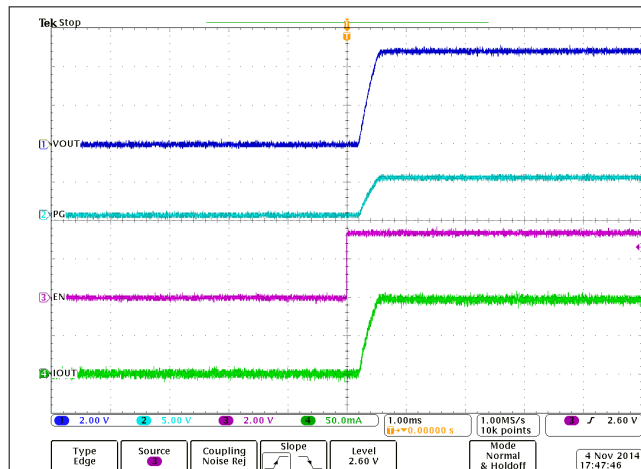


图 8-3. CH1 is VOUT, CH2 is PG, CH4 is lout, VIN is 12 V and Ready Before EN

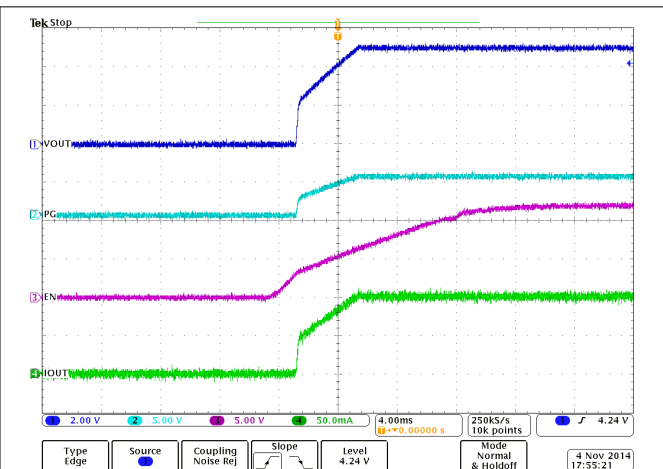


图 8-4. CH1 is VOUT, CH2 is PG, CH3 is EN, CH4 is lout, VIN is 12 V Connected to EN

## 8.2.2 Automotive Applications

The TPS7A16-Q1 maximum input voltage of 60 V makes the device designed for use in automotive applications where high-voltage transients are present.

Events such as load-dump overvoltage (where the battery is disconnected while the alternator is providing current to a load) can cause voltage spikes from 25 V to 60 V. To prevent any damage to sensitive circuitry, local transient voltage suppressors can be used to cap voltage spikes to lower, more manageable voltages.

The TPS7A16-Q1 can be used to simplify and lower costs in such cases. The very high voltage range allows this regulator not only to withstand the voltages coming out of these local transient voltage suppressors, but even replace them, thus lowering system cost and complexity.

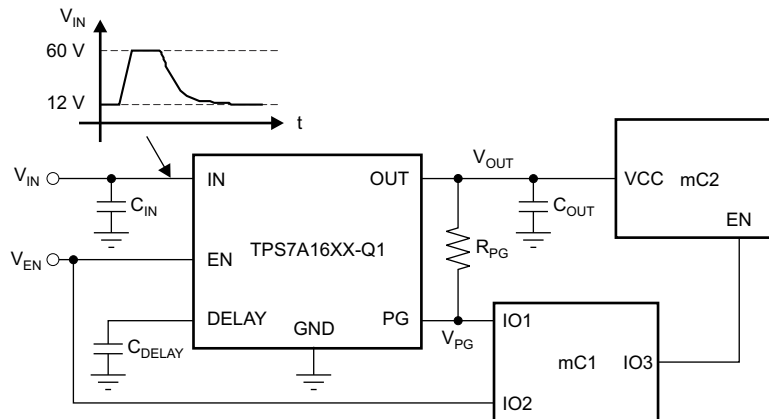


图 8-5. Low-Power Microcontroller Rail Sequencing in Automotive Applications Subjected to Load-Dump Transients

### 8.2.2.1 Design Requirements

表 8-3. Design Parameters

DESIGN PARAMETER	EXAMPLE VALUE
Input voltage range	5.5 V to 60 V
Output voltage	5 V
Output current rating	100 mA
Output capacitor range	2.2 $\mu$ F to 100 $\mu$ F
Delay capacitor range	100 pF to 100 nF

### 8.2.2.2 Detailed Design Procedure

See the [Capacitor Recommendations](#) and [Input and Output Capacitor Requirements](#) sections.

#### 8.2.2.2.1 Device Recommendations

The output is fixed, so choose the TPS7A1650-Q1.

### 8.2.2.3 Application Curves

See 图 8-3 and 图 8-4.

### 8.2.3 Multicell Battery Packs

Currently, battery packs can employ up to a dozen cells in series that, when fully charged, can have voltages of up to 55 V. Internal circuitry in these battery packs is used to prevent overcurrent and overvoltage conditions that can degrade battery life or even pose a safety risk; this internal circuitry is often managed by a low-power microcontroller, such as TI's MSP430™. See the overview for microcontrollers (MCU) for more information.

The microcontroller continuously monitors the battery, whether the battery is in use or not. Although this microcontroller can be powered by an intermediate voltage taken from the multicell array, this approach unbalances the battery pack, degrading the battery life or adding cost to implement more complex cell-balancing topologies.

The best approach to power this microcontroller is to regulate down the voltage from the entire array to discharge every cell equally and prevent any balancing issues. This approach reduces system complexity and cost.

The TPS7A16-Q1 can be used for this application because this device can handle very high voltages (from the entire multicell array) and has very low quiescent current (to maximize battery life).

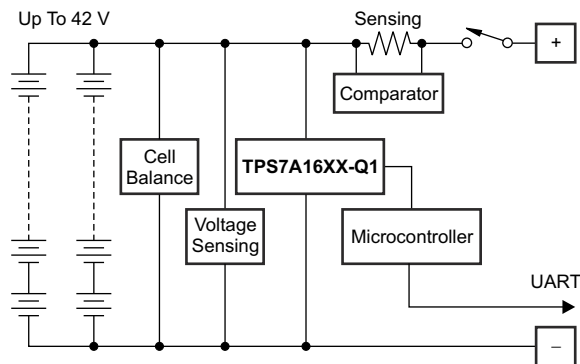


图 8-6. Protection Based on Low-Power Microcontroller Power From Multicell Battery Packs

#### 8.2.3.1 Design Requirements

表 8-4. Device Parameters

DESIGN PARAMETER	EXAMPLE VALUE
Input voltage range	5.5 V to 55 V
Output voltage	5 V
Output current rating	100 mA
Output capacitor range	2.2 $\mu$ F to 100 $\mu$ F
Delay capacitor range	100 pF to 100 nF

#### 8.2.3.2 Detailed Design Procedure

See the [Device Recommendations](#), [Capacitor Recommendations](#), and [Input and Output Capacitor Requirements](#) sections.

#### 8.2.3.3 Application Curves

See 图 8-3 and 图 8-4.

## 8.2.4 Battery-Operated Power Tools

High-voltage multicell battery packs support high-power applications (such as power tools) with high current drain when in use, highly intermittent use cycles, and physical separation between battery and motor.

In these applications, a microcontroller or microprocessor controls the motor. This microcontroller must be powered with a low-voltage rail coming from the high-voltage, multicell battery pack; as mentioned previously, powering this microcontroller or microprocessor from an intermediate voltage from the multicell array causes battery-pack life degradation or added system complexity because of cell balancing issues. In addition, this microcontroller or microprocessor must be protected from the high-voltage transients because of the motor inductance.

The TPS7A16-Q1 can be used to power the motor-controlled microcontroller or microprocessor; the device low quiescent current maximizes battery shelf life, and very high-voltage capabilities simplify system complexity by replacing voltage suppression filters, thus lowering system cost.

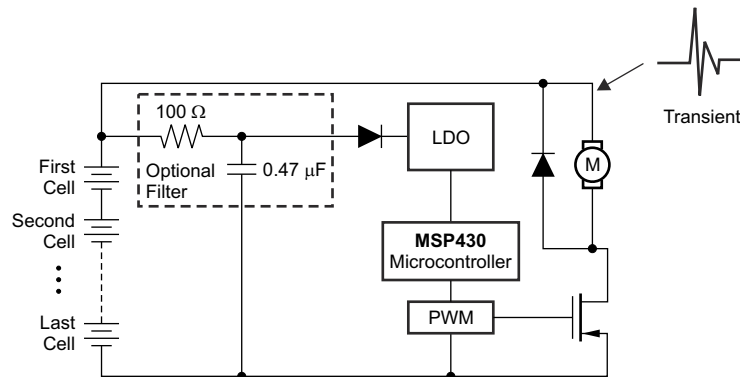


图 8-7. Low Power Microcontroller Power From Multicell Battery Packs in Power Tools

### 8.2.4.1 Design Requirements

表 8-5. Design Parameters

DESIGN PARAMETER	EXAMPLE VALUE
Input voltage range	5.5 V to 60 V
Output voltage	5 V
Output current rating	100 mA
Output capacitor range	2.2 $\mu$ F to 100 $\mu$ F
Delay capacitor range	100 pF to 100 nF

### 8.2.4.2 Detailed Design Procedure

See the [Device Recommendations](#), [Capacitor Recommendations](#), and [Input and Output Capacitor Requirements](#) sections.

### 8.2.4.3 Application Curves

See 图 8-3 and 图 8-4.

## 8.3 Power Supply Recommendations

Design of the device is for operation from an input voltage supply with a range between 3 V and 60 V. This input supply must be well regulated. The TPS7A16-Q1 ultra-low-power, high-voltage linear regulator achieves stability with a minimum input capacitance of 0.1  $\mu$ F and output capacitance of 2.2  $\mu$ F; however, the use of a 10- $\mu$ F ceramic capacitor to maximize ac performance is highly recommended.

## 8.4 Layout

### 8.4.1 Layout Guidelines

To improve ac performance such as PSRR, output noise, and transient response, design the board with separate ground planes for IN and OUT, with each ground plane connected only at the GND pin of the device. In addition, the ground connection for the output capacitor must connect directly to the GND pin of the device.

Equivalent series inductance (ESL) and ESR must be minimized in order to maximize performance and provide stability. Every capacitor must be placed as close as possible to the device and on the same side of the PCB as the regulator.

Do not place any of the capacitors on the opposite side of the PCB from where the regulator is installed. Using vias and long traces is strongly discouraged because these components can impact system performance negatively and even cause instability.

If possible, and to provide the maximum performance denoted in this product data sheet, use the same layout pattern used for the TPS7A16-Q1 evaluation board, available at [www.ti.com](http://www.ti.com).

Layout is a critical part of good power-supply design. There are several signal paths that conduct fast-changing currents or voltages that can interact with stray inductance or parasitic capacitance to generate noise or degrade the power-supply performance. To help eliminate these problems, bypass the IN pin to ground with a low-ESR ceramic bypass capacitor with X5R or X7R dielectric.

Acceptable performance can possibly be obtained with alternative PCB layouts; however, the layout and schematic herein have been shown to produce good results and are meant as a guideline.

图 8-8 shows the schematic for the suggested layout. 图 8-9 and 图 8-10 show the top and bottom printed circuit board (PCB) layers for the suggested layout.

#### 8.4.1.1 Additional Layout Considerations

The high impedance of the FB pin makes the regulator sensitive to parasitic capacitances that can couple undesirable signals from nearby components (especially from logic and digital devices, such as microcontrollers and microprocessors); these capacitively-coupled signals can produce undesirable output voltage transients. In these cases, use a fixed-voltage version of the TPS7A16-Q1, or isolate the FB node by flooding the local PCB area with ground-plane copper to minimize any undesirable signal coupling.

#### 8.4.1.2 Power Dissipation

The ability to remove heat from the die is different for each package type, presenting different considerations in the PCB layout. The PCB area around the device that is free of other components moves the heat from the device to the ambient air. Using heavier copper increases the effectiveness of removing heat from the device. The addition of plated through-holes to heat dissipating layers also improves the heat sink effectiveness.

Power dissipation depends on input voltage and load conditions. Power dissipation ( $P_D$ ) is equal to the product of the output current times the voltage drop across the output pass element, as shown in 方程式 2:

$$P_D = (V_{IN} - V_{OUT}) I_{OUT} \quad (2)$$

#### 8.4.1.3 Thermal Considerations

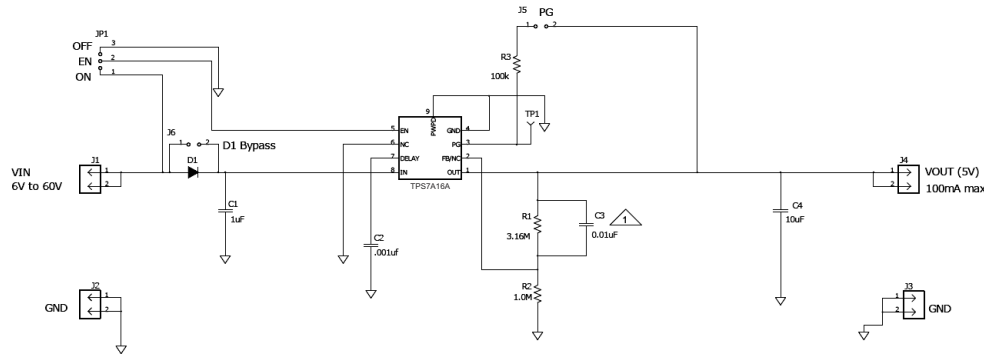
Thermal protection disables the output when the junction temperature rises to approximately 170°C, allowing the device to cool. When the junction temperature cools to approximately 150°C, the output circuitry is enabled. Depending on power dissipation, thermal resistance, and ambient temperature, the thermal protection circuit can cycle on and off. This cycling limits the dissipation of the regulator, protecting the regulator from damage as a result of overheating.

Any tendency to activate the thermal protection circuit indicates excessive power dissipation or an inadequate heat-spreading area. For reliable operation, limit junction temperature to a maximum of 125°C at the worst-case ambient temperature for a given application. To estimate the margin of safety in a complete design (including the copper heat-spreading area), increase the ambient temperature until the thermal protection is triggered; use

worst-case loads and signal conditions. For good reliability, thermal protection must trigger at least 45°C above the maximum expected ambient condition of the particular application. This configuration produces a worst-case junction temperature of 125°C at the highest expected ambient temperature and worst-case load.

The internal protection circuitry of the TPS7A16-Q1 is designed to protect against overload conditions. This circuitry is not intended to replace proper heat sinking. Continuously running the TPS7A16-Q1 into thermal shutdown degrades device reliability.

### 8.4.2 Layout Examples



Copyright © 2017, Texas Instruments Incorporated

图 8-8. Schematic for Suggested Layout



图 8-9. Suggested Layout: Top Layer

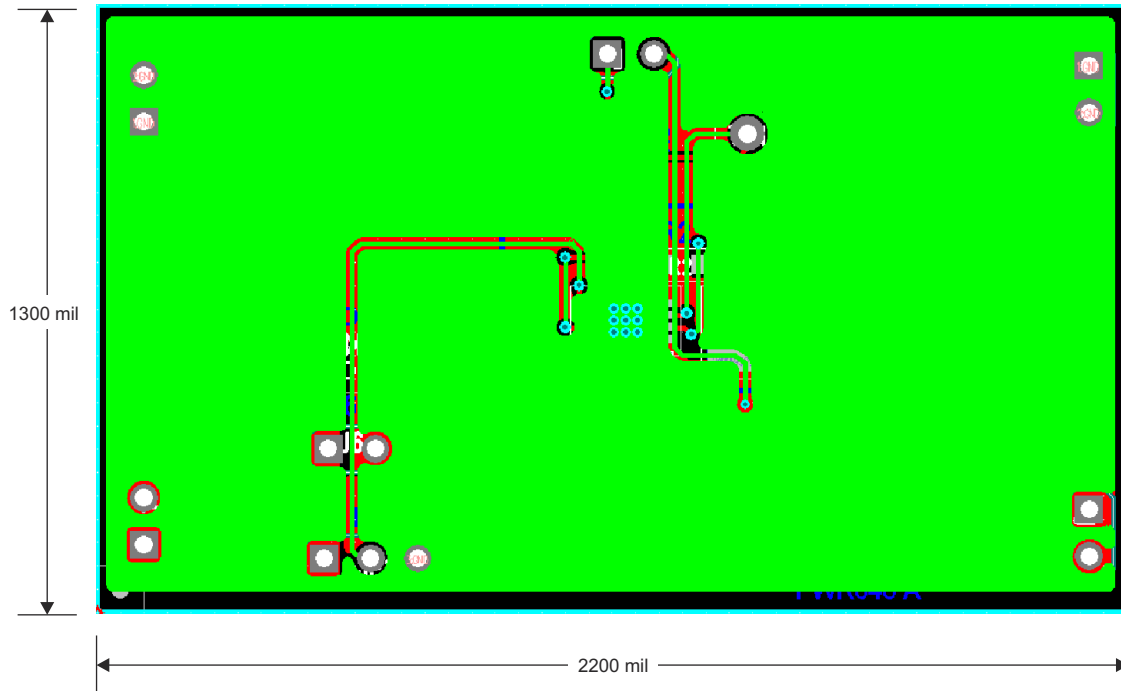


图 8-10. Suggested Layout: Bottom Layer

## 9 Device and Documentation Support

### 9.1 接收文档更新通知

要接收文档更新通知，请导航至 [ti.com](http://ti.com) 上的器件产品文件夹。点击 [订阅更新](#) 进行注册，即可每周接收产品信息更改摘要。有关更改的详细信息，请查看任何已修订文档中包含的修订历史记录。

### 9.2 支持资源

**TI E2E™ 支持论坛** 是工程师的重要参考资料，可直接从专家获得快速、经过验证的解答和设计帮助。搜索现有解答或提出自己的问题可获得所需的快速设计帮助。

链接的内容由各个贡献者“按原样”提供。这些内容并不构成 TI 技术规范，并且不一定反映 TI 的观点；请参阅 TI 的《[使用条款](#)》。

### 9.3 Trademarks

MSP430™ and TI E2E™ are trademarks of Texas Instruments.

所有商标均为其各自所有者的财产。

### 9.4 静电放电警告



静电放电 (ESD) 会损坏这个集成电路。德州仪器 (TI) 建议通过适当的预防措施处理所有集成电路。如果不遵守正确的处理和安装程序，可能会损坏集成电路。

ESD 的损坏小至导致微小的性能降级，大至整个器件故障。精密的集成电路可能更容易受到损坏，这是因为非常细微的参数更改都可能会导致器件与其发布的规格不相符。

### 9.5 术语表

**TI 术语表** 本术语表列出并解释了术语、首字母缩略词和定义。

## 10 Mechanical, Packaging, and Orderable Information

The following pages include mechanical, packaging, and orderable information. This information is the most-current data available for the designated devices. This data is subject to change without notice and without revision of this document. For browser-based versions of this data sheet, see the left-hand navigation pane.

**PACKAGING INFORMATION**

Orderable part number	Status (1)	Material type (2)	Package   Pins	Package qty   Carrier	RoHS (3)	Lead finish/ Ball material (4)	MSL rating/ Peak reflow (5)	Op temp (°C)	Part marking (6)
<a href="#">TPS7A1601QDGNRQ1</a>	Active	Production	HVSSOP (DGN)   8	2500   LARGE T&R	Yes	NIPDAUAG	Level-2-260C-1 YEAR	-40 to 125	PXZQ
TPS7A1601QDGNRQ1.A	Active	Production	HVSSOP (DGN)   8	2500   LARGE T&R	Yes	NIPDAUAG	Level-2-260C-1 YEAR	-40 to 125	PXZQ
<a href="#">TPS7A1633QDGNRQ1</a>	Active	Production	HVSSOP (DGN)   8	2500   LARGE T&R	Yes	NIPDAU	Level-2-260C-1 YEAR	-40 to 125	PXYQ
TPS7A1633QDGNRQ1.A	Active	Production	HVSSOP (DGN)   8	2500   LARGE T&R	Yes	NIPDAU	Level-2-260C-1 YEAR	-40 to 125	PXYQ
<a href="#">TPS7A1650QDGNRQ1</a>	Active	Production	HVSSOP (DGN)   8	2500   LARGE T&R	Yes	NIPDAU   NIPDAUAG	Level-2-260C-1 YEAR	-40 to 125	PYAQ
TPS7A1650QDGNRQ1.A	Active	Production	HVSSOP (DGN)   8	2500   LARGE T&R	Yes	NIPDAU	Level-2-260C-1 YEAR	-40 to 125	PYAQ

<sup>(1)</sup> **Status:** For more details on status, see our [product life cycle](#).

<sup>(2)</sup> **Material type:** When designated, preproduction parts are prototypes/experimental devices, and are not yet approved or released for full production. Testing and final process, including without limitation quality assurance, reliability performance testing, and/or process qualification, may not yet be complete, and this item is subject to further changes or possible discontinuation. If available for ordering, purchases will be subject to an additional waiver at checkout, and are intended for early internal evaluation purposes only. These items are sold without warranties of any kind.

<sup>(3)</sup> **RoHS values:** Yes, No, RoHS Exempt. See the [TI RoHS Statement](#) for additional information and value definition.

<sup>(4)</sup> **Lead finish/Ball material:** Parts may have multiple material finish options. Finish options are separated by a vertical ruled line. Lead finish/Ball material values may wrap to two lines if the finish value exceeds the maximum column width.

<sup>(5)</sup> **MSL rating/Peak reflow:** The moisture sensitivity level ratings and peak solder (reflow) temperatures. In the event that a part has multiple moisture sensitivity ratings, only the lowest level per JEDEC standards is shown. Refer to the shipping label for the actual reflow temperature that will be used to mount the part to the printed circuit board.

<sup>(6)</sup> **Part marking:** There may be an additional marking, which relates to the logo, the lot trace code information, or the environmental category of the part.

Multiple part markings will be inside parentheses. Only one part marking contained in parentheses and separated by a "~" will appear on a part. If a line is indented then it is a continuation of the previous line and the two combined represent the entire part marking for that device.

**Important Information and Disclaimer:**The information provided on this page represents TI's knowledge and belief as of the date that it is provided. TI bases its knowledge and belief on information provided by third parties, and makes no representation or warranty as to the accuracy of such information. Efforts are underway to better integrate information from third parties. TI has taken and continues to take reasonable steps to provide representative and accurate information but may not have conducted destructive testing or chemical analysis on incoming materials and chemicals. TI and TI suppliers consider certain information to be proprietary, and thus CAS numbers and other limited information may not be available for release.

In no event shall TI's liability arising out of such information exceed the total purchase price of the TI part(s) at issue in this document sold by TI to Customer on an annual basis.

**OTHER QUALIFIED VERSIONS OF TPS7A16-Q1 :**

- Catalog : [TPS7A16](#)

## NOTE: Qualified Version Definitions:

- Catalog - TI's standard catalog product

**TAPE AND REEL INFORMATION**

**QUADRANT ASSIGNMENTS FOR PIN 1 ORIENTATION IN TAPE**


\*All dimensions are nominal

Device	Package Type	Package Drawing	Pins	SPQ	Reel Diameter (mm)	Reel Width W1 (mm)	A0 (mm)	B0 (mm)	K0 (mm)	P1 (mm)	W (mm)	Pin1 Quadrant
TPS7A1601QDGNRQ1	HVSSOP	DGN	8	2500	330.0	12.4	5.3	3.3	1.3	8.0	12.0	Q1
TPS7A1633QDGNRQ1	HVSSOP	DGN	8	2500	330.0	12.4	5.3	3.3	1.3	8.0	12.0	Q1
TPS7A1650QDGNRQ1	HVSSOP	DGN	8	2500	330.0	12.4	5.3	3.3	1.3	8.0	12.0	Q1
TPS7A1650QDGNRQ1	HVSSOP	DGN	8	2500	330.0	12.4	5.3	3.3	1.3	8.0	12.0	Q1

**TAPE AND REEL BOX DIMENSIONS**


\*All dimensions are nominal

Device	Package Type	Package Drawing	Pins	SPQ	Length (mm)	Width (mm)	Height (mm)
TPS7A1601QDGNRQ1	HVSSOP	DGN	8	2500	367.0	367.0	38.0
TPS7A1633QDGNRQ1	HVSSOP	DGN	8	2500	367.0	367.0	38.0
TPS7A1650QDGNRQ1	HVSSOP	DGN	8	2500	367.0	367.0	38.0
TPS7A1650QDGNRQ1	HVSSOP	DGN	8	2500	367.0	367.0	38.0

## GENERIC PACKAGE VIEW

**DGN 8**

**PowerPAD™ HVSSOP - 1.1 mm max height**

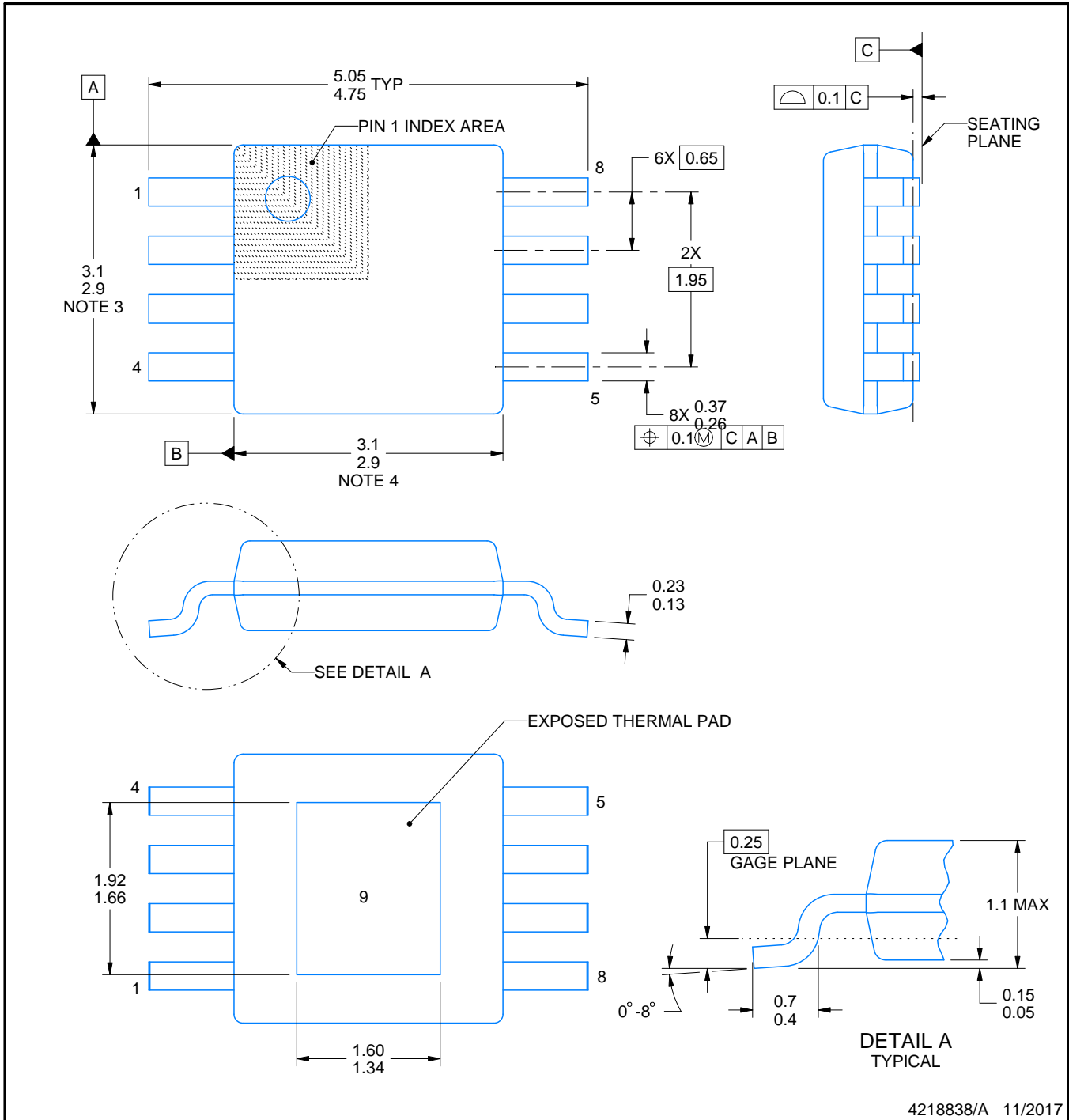
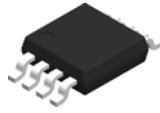
3 x 3, 0.65 mm pitch

SMALL OUTLINE PACKAGE

This image is a representation of the package family, actual package may vary.  
Refer to the product data sheet for package details.



4225482/B



4218838/A 11/2017

NOTES:

1. All linear dimensions are in millimeters. Any dimensions in parenthesis are for reference only. Dimensioning and tolerancing per ASME Y14.5M.
2. This drawing is subject to change without notice.
3. This dimension does not include mold flash, protrusions, or gate burrs. Mold flash, protrusions, or gate burrs shall not exceed 0.15 mm per side.
4. This dimension does not include interlead flash. Interlead flash shall not exceed 0.25 mm per side.
5. Reference JEDEC registration MO-187.



# EXAMPLE STENCIL DESIGN

DGN0008C

HVSSOP - 1.1 mm max height

SMALL OUTLINE PACKAGE



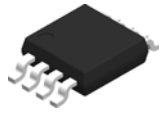
**SOLDER PASTE EXAMPLE**  
 EXPOSED PAD 9:  
 100% PRINTED SOLDER COVERAGE BY AREA  
 SCALE: 15X

STENCIL THICKNESS	SOLDER STENCIL OPENING
0.1	1.79 X 2.15
0.125	1.60 X 1.92 (SHOWN)
0.15	1.46 X 1.75
0.175	1.35 X 1.62

4218838/A 11/2017

NOTES: (continued)

10. Laser cutting apertures with trapezoidal walls and rounded corners may offer better paste release. IPC-7525 may have alternate design recommendations.
11. Board assembly site may have different recommendations for stencil design.



4218837/B 03/2025

PowerPAD is a trademark of Texas Instruments.

NOTES:

1. All linear dimensions are in millimeters. Any dimensions in parenthesis are for reference only. Dimensioning and tolerancing per ASME Y14.5M.
2. This drawing is subject to change without notice.
3. This dimension does not include mold flash, protrusions, or gate burrs. Mold flash, protrusions, or gate burrs shall not exceed 0.15 mm per side.
4. This dimension does not include interlead flash. Interlead flash shall not exceed 0.25 mm per side.
5. Reference JEDEC registration MO-187.



# EXAMPLE STENCIL DESIGN

DGN0008B

HVSSOP - 1.1 mm max height

SMALL OUTLINE PACKAGE



**SOLDER PASTE EXAMPLE**  
EXPOSED PAD 9:  
100% PRINTED SOLDER COVERAGE BY AREA  
SCALE: 15X

STENCIL THICKNESS	SOLDER STENCIL OPENING
0.1	2.10 X 2.21
0.125	1.88 X 1.98 (SHOWN)
0.15	1.72 X 1.81
0.175	1.59 X 1.67

4218837/B 03/2025

NOTES: (continued)

10. Laser cutting apertures with trapezoidal walls and rounded corners may offer better paste release. IPC-7525 may have alternate design recommendations.
11. Board assembly site may have different recommendations for stencil design.

## 重要通知和免责声明

TI“按原样”提供技术和可靠性数据（包括数据表）、设计资源（包括参考设计）、应用或其他设计建议、网络工具、安全信息和其他资源，不保证没有瑕疵且不做任何明示或暗示的担保，包括但不限于对适销性、与某特定用途的适用性或不侵犯任何第三方知识产权的暗示担保。

这些资源可供使用 TI 产品进行设计的熟练开发人员使用。您将自行承担以下全部责任：(1) 针对您的应用选择合适的 TI 产品，(2) 设计、验证并测试您的应用，(3) 确保您的应用满足相应标准以及任何其他安全、安保法规或其他要求。

这些资源如有变更，恕不另行通知。TI 授权您仅可将这些资源用于研发本资源所述的 TI 产品的相关应用。严禁以其他方式对这些资源进行复制或展示。您无权使用任何其他 TI 知识产权或任何第三方知识产权。对于因您对这些资源的使用而对 TI 及其代表造成的任何索赔、损害、成本、损失和债务，您将全额赔偿，TI 对此概不负责。

TI 提供的产品受 [TI 销售条款](#)、[TI 通用质量指南](#) 或 [ti.com](#) 上其他适用条款或 TI 产品随附的其他适用条款的约束。TI 提供这些资源并不会扩展或以其他方式更改 TI 针对 TI 产品发布的适用的担保或担保免责声明。除非德州仪器 (TI) 明确将某产品指定为定制产品或客户特定产品，否则其产品均为按确定价格收入目录的标准通用器件。

TI 反对并拒绝您可能提出的任何其他或不同的条款。

版权所有 © 2026，德州仪器 (TI) 公司

最后更新日期：2025 年 10 月