

TPS8802 烟雾报警器 AFE

1 特性

- 照相室 AFE
 - 双 8 位可编程电流 LED 驱动器
 - LED 电流温度补偿
 - 用于光电二极管的超低失调电压运算放大器
 - 可编程和可旁路增益级
- 一氧化碳传感器 AFE
 - 超低失调电压增益级
 - 可编程增益和基准
- 喇叭驱动器
 - 三端压电的自谐振驱动器
 - PWM 支持两端压电语音
- 电源管理
 - 用于外部微控制器的可编程 LDO
 - 用于喇叭、互连的升压转换器
- 多报警通信互连总线
- 超低功耗
- I²C 串行接口
- 可编程电池测试负载

2 应用

- 烟雾和一氧化碳报警器

3 说明

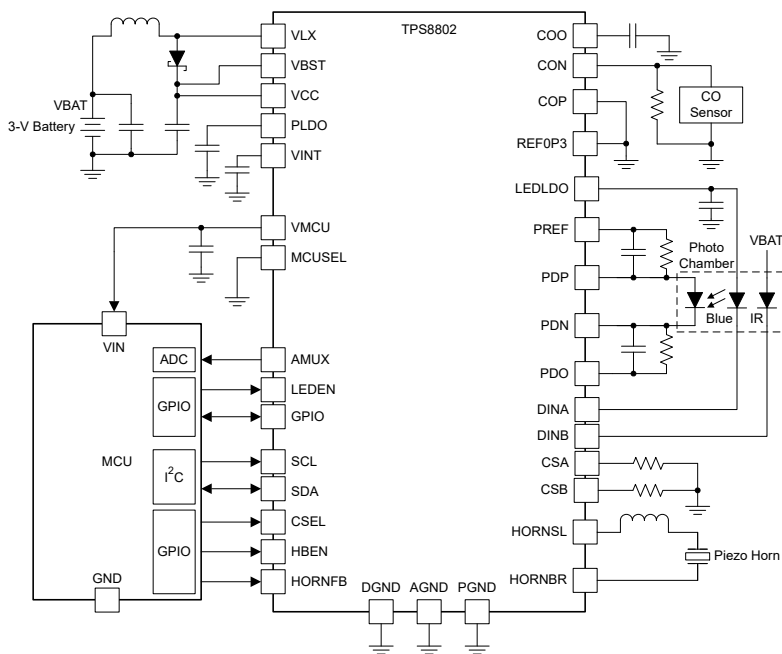
TPS8802 集成了双波光电烟雾报警器和一氧化碳 (CO) 探测系统所需的所有调节器、放大器和驱动器。它的高度灵活性非常适合精度和功耗至关重要的烟雾报警系统。

宽输入电压范围与低待机功耗和省电功能相结合，支持使用单个锂原电池运行 10 年的电池寿命。TPS8802 还支持备用电池烟雾报警器，在主电源掉电或电池断开连接时以无缝方式保持供电状态。

器件信息(1)

器件型号	封装	封装尺寸 (标称值)
	TSSOP (38)	9.7mm x 4.4mm

(1) 如需了解所有可用封装，请参阅数据表末尾的可订购产品附录。



简化版应用



Table of Contents

1 特性	1	8.4 Device Functional Modes.....	40
2 应用	1	8.5 Programming.....	42
3 说明	1	8.6 Register Maps.....	43
4 Revision History	2	9 Application and Implementation	54
5 Pin Configuration and Functions	3	9.1 Application Information.....	54
Pin Functions.....	3	9.2 Typical Application.....	54
6 Specifications	5	10 Power Supply Recommendations	62
6.1 Absolute Maximum Ratings.....	5	11 Layout	63
6.2 ESD Ratings.....	5	11.1 Layout Guidelines.....	63
6.3 Recommended Operating Conditions.....	6	11.2 Layout Example.....	64
6.4 Thermal Information.....	6	12 Device and Documentation Support	68
6.5 Electrical Characteristics.....	6	12.1 接收文档更新通知.....	68
6.6 Typical Characteristics.....	21	12.2 支持资源.....	68
7 Typical Characteristics	22	12.3 Trademarks.....	68
8 Detailed Description	23	12.4 静电放电警告.....	68
8.1 Overview.....	23	12.5 术语表.....	68
8.2 Functional Block Diagram.....	24	13 Mechanical, Packaging, and Orderable Information	69
8.3 Feature Description.....	25		

4 Revision History

注：以前版本的页码可能与当前版本的页码不同

Changes from Revision B (March 2021) to Revision C (August 2021)	Page
• 更新了图 3-1.....	1
• Updated 图 8-4.....	29
• Added <i>Connect a capacitor with a value between 1 μF and 100 μF to the LEDLDO.</i> to 节 8.3.4.2.....	30
• Updated VCLOW description in 节 8.6.2.....	44
• Updated 图 9-1.....	54
• Updated 图 9-10.....	59

Changes from Revision A (March 2020) to Revision B (March 2021)	Page
• Changed typical $I_{MCULD0,Q}$ based on measurement data.....	6
• Changed typical $I_{CO,Q}$ based on measurement data.....	6
• Added requirement when enabling the boost converter and disabling the photo input amplifier.....	33

Changes from Revision * (October 2019) to Revision A (March 2020)	Page
• 将文档状态从 预告信息 更改为 量产数据.....	1
• Added typical value to $V_{PDIN,OFFS}$	6
• Added typical value to $V_{OFFS,CO}$	6
• Added typical value to $V_{MUX,OFFS}$	6

5 Pin Configuration and Functions

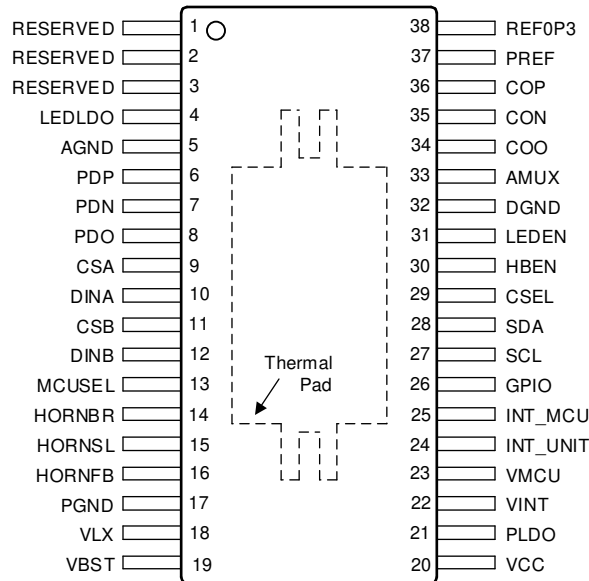


图 5-1. DCP Package 38-Pin TSSOP Top View

Pin Functions

PIN		I/O	DESCRIPTION
NAME	NO.		
AGND	5	I	Analog ground. Connect to ground plane.
AMUX	33	O	Analog multiplexer output.
CON	35	I	Negative terminal of CO operational amplifier. Connect to GND if unused.
COO	34	O	Output of CO operational amplifier. Connect to GND if unused.
COP	36	I	Positive terminal of CO operational amplifier. Connect to GND if unused.
CSA	9	I	LED driver A current sense.
CSB	11	I	LED driver B current sense. Connect to GND if unused.
CSEL	29	I	Device address select pin for I ² C serial interface. Pull to GND for I ² C address 0x3F. Pull to VMCU for I ² C address 0x2A. Do not leave floating.
DGND	32	I	Digital ground. Connect to AGND.
DINA	10	I	LED driver A current sink. Connect to cathode of LED.
DINB	12	I	LED driver B current sink. Connect to cathode of LED. Connect to GND if unused.
GPIO	26	I/O	Multi-purpose digital input and output.
HBEN	30	I	Horn block enable. Do not leave floating while device is powered.
HORNBR	14	O	Brass terminal of piezo horn.
HORNFb	16	I	Feedback terminal of a three-terminal piezo horn. Do not leave floating while device is powered.
HORNsL	15	O	Silver terminal of piezo horn.
INT_MCU	25	I/O	Interconnect and interrupt signal to microcontroller.
INT_UNIT	24	I/O	Interconnect bus to connect other smoke alarms.
LEDEN	31	I	LED driver enable. Do not leave floating while device is powered.
LEDLDO	4	O	LDO output for charging LED supply capacitor. Connect to GND if unused.
MCUSEL	13	I	Default MCULDO and VBST voltage selection input. Leave floating for VMCU = 3.3 V, VBST = 4.7 V. Tie to VINT for VMCU = 2.5 V, VBST = 3.8 V. Tie to GND for VMCU = 1.8 V, VBST = 2.7 V. Connect to GND with a 620-Ω resistor for VMCU = 1.5 V, VBST = 2.7 V.

PIN		I/O	DESCRIPTION
NAME	NO.		
PDN	7	I	Photo input amplifier negative input. Connect to cathode of photodiode.
PDO	8	O	Photo input amplifier output pin.
PDP	6	I	Photo input amplifier positive Input. Connect to anode of photodiode.
PGND	17	I	Power ground connection to boost converter and horn driver. Connect to AGND.
PLDO	21	O	Capacitor connection to PLDO regulator.
PREF	37	O	Photo reference voltage and output for testing CO sensor connectivity.
REF0P3	38	O	300mV reference. Connect to GND if unused.
RESERVED	1, 2, 3	N/A	Connect to GND.
SCL	27	I	Clock input for I ² C serial interface.
SDA	28	I/O	Data line for I ² C serial interface.
VBST	19	I	Boost converter feedback and power input.
VCC	20	I	Input supply pin.
VINT	22	O	Capacitor connection to internal supply LDO.
VLX	18	I	Boost converter switch node.
VMCU	23	I/O	LDO supply for external microcontroller and internal IO buffers.
Thermal Pad	39	N/A	Metal connection for thermal dissipation. Connect to ground plane.

6 Specifications

6.1 Absolute Maximum Ratings

over operating free-air temperature range (unless otherwise noted)⁽¹⁾

PARAMETER		MIN	MAX	UNIT
Power IO	HORNSL, HORNBR, VBST, VCC	- 0.3	16.5	V
Analog IO	DINA, DINB, LEDLDO	- 0.3	12	V
Horn feedback	HORNFB	- 3	6.5	V
Boost switch	VLX	- 0.3	16.5	V
Analog connections	AMUX, CON, COO, COP, PREF, MCUSEL, PDO, REF0P3	- 0.3	VINT + 0.3 or 3.6, whichever is lower	V
LDO outputs	VINT, VMCU	- 0.3	PLDO + 0.3 or 3.6, whichever is lower	V
LED current sense	CSA	- 0.3	DINA + 0.3 or 3.6, whichever is lower	V
LED current sense	CSB	- 0.3	DINB + 0.3 or 3.6, whichever is lower	V
Photo amplifier inputs	PDN, PDP	- 0.3	3.6	V
PLDO voltage	PLDO	- 0.3	7.0	V
Interconnect bus	INT_UNIT	- 0.3	18	V
Digital IO	CSEL, GPIO, HBEN, INT_MCU, LEDEN, SCL, SDA	- 0.3	VMCU + 0.3 or 3.6, whichever is lower	V
Max operating ambient temperature	T _A	-40	125	°C
Max operating junction temperature	T _J	-40	125	°C

- (1) Stresses beyond those listed under *Absolute Maximum Rating* may cause permanent damage to the device. These are stress ratings only, which do not imply functional operation of the device at these or any other conditions beyond those indicated under *Recommended Operating Condition*. Exposure to absolute-maximum-rated conditions for extended periods may affect device reliability.

6.2 ESD Ratings

over operating free-air temperature range (unless otherwise noted)

			Value	UNIT
V _(ESD)	Electrostatic discharge	Human-body model (HBM), per ANSI/ESDA/JEDEC JS-001 ¹	±3000	V
		Charged-device model (CDM), per JEDEC specification JESD22-C101 ²	±1500	

¹ JEDEC document JEP155 states that 500-V HBM allows safe manufacturing with a standard ESD control process.

² JEDEC document JEP157 states that 250-V CDM allows safe manufacturing with a standard ESD control process.

6.3 Recommended Operating Conditions

over operating free-air temperature range (unless otherwise noted)

PARAMETER		MIN	MAX	UNIT
3 V battery voltage	VBAT	2.0	3.3	V
9 V battery voltage	VBAT	6.0	10	V
Power supply	VCC, VBST	2.6 ⁽¹⁾	15.6	V
LED driver	DINA, DINB	0	11.5	V
Horn feedback	HORNFB	- 2	6	V
Interconnect bus	INT_UNIT	0	17	V
Digital IO	INT_MCU, SCL, SDA, CSEL, LEDEN, HBEN, GPIO	0	VMCU	V
Digital IO supply	VMCU	1.425	3.6	V
Ambient temperature	T _A	- 40	85	°C
Junction temperature	T _J	- 40	85	°C

(1) Device powers up with V_{CC} < 2.6 V but is not parametrically guaranteed

6.4 Thermal Information

THERMAL METRIC ⁽¹⁾		TPS8802	UNIT
		DCP	
		38 PINS	
R _{θJA}	Junction-to-ambient thermal resistance	29.3	°C/W
R _{θJC(top)}	Junction-to-case (top) thermal resistance	20.0	°C/W
R _{θJB}	Junction-to-board thermal resistance	10.1	°C/W
Ψ _{JT}	Junction-to-top characterization parameter	0.3	°C/W
Ψ _{JB}	Junction-to-board characterization parameter	10.0	°C/W
R _{θJC(bot)}	Junction-to-case (bottom) thermal resistance	2.2	°C/W

(1) For more information about traditional and new thermal metrics, see the [Semiconductor and IC Package Thermal Metrics](#) application report.

6.5 Electrical Characteristics

over operating free-air temperature range (unless otherwise noted)

PARAMETER	TEST CONDITIONS	MIN	TYP	MAX	UNIT	
INPUT VOLTAGE AND CURRENTS						
V _{PWRUP}	Power up threshold. Note: Device enters active state when MCU_PG=1.	VCC rising	1.2	1.55	2.0	V
V _{PWRDOWN}	Power down threshold	VCC falling	0.932	1.15	2.0	V
V _{PWR, HYS}	VCC power up to power down hysteresis		6.4	400	580	mV
V _{VCLOW, RISE}	VCC low warning reset threshold	PLDO voltage rising	2.35	2.54	2.7	V
		Deglitch time	110	141	172	μs
V _{VCLOW, FALL}	VCC low warning assert threshold	PLDO voltage falling	2.15	2.42	2.6	V
		Deglitch time	110	141	172	μs

over operating free-air temperature range (unless otherwise noted)

PARAMETER		TEST CONDITIONS	MIN	TYP	MAX	UNIT	
I _{STANDBY}	Standby Supply Current	All blocks that can be disabled are off, T _J =27C, VCC=3V, VMCU=1.8V		3.8	4.4	μA	
		All blocks that can be disabled are off, T _J =27C, VCC=9V, VMCU=3.3V		7.7	9.1	μA	
POWER LDO							
V _{PLDO}	Output Voltage	VCC = 2.0 V, I _{PLDO} = 10 mA	1.93	1.96	1.99	V	
		VCC = 2.0 V, I _{PLDO} = 30 mA	1.8	1.89	1.95	V	
		VCC = 3.3 V, I _{PLDO} = 30 mA	3.1	3.22	3.3	V	
		VCC = 9 V, I _{PLDO} = 30 mA	4.1	4.9	6.7	V	
		VCC = 11.5 V, I _{PLDO} = 30 mA	4.1	5	6.7	V	
C _{PLDO}	PLDO capacitor required for stability		0.7	1	1.3	μF	
INTERNAL LDO							
V _{INTLDO}	Output Voltage	I _{VINT} < 10 mA	2.25	2.3	2.35	V	
		I _{VINT} < 10 μA, T>80C	2.25	2.3	2.40	V	
	DC Output Voltage Accuracy	No external/internal load, VCC = 2.6 V - 11.5 V	- 2		2	%	
	Line Regulation	VCC = 2.6 V-11.5 V, I _{OUT} = 10 mA	- 2		2	%	
	Load Regulation	I _{VINT} = 0 mA - 10 mA, VCC = 3 V	- 2		2	%	
	Transient regulation		I _{VINT} stepped from 0 mA to 10 mA in 1us	- 8		8	%
			I _{VINT} stepped from 10 mA to 0 mA in 1us	- 5		5	%
	PSRR	V _{IN} = 3.0 V, I _{OUT} = 10 mA, f = 60 Hz (200 mVpp)	50			dB	
I _{INTLDO, OUT}	Output current range		0		10	mA	
I _{INTLDO, SC}	Short Circuit Current Limit		30	280	500	mA	
V _{INTLDO, DO}	Dropout Voltage	From PLDO to VINT, I _{VINT} = 10 mA, PLDO = 2.2 V		52	66	mV	
C _{INTLDO, OUT}	Output Capacitor	Ceramic	0.7	1	1.3	μF	
	ESR of Output Capacitor						100
MCU LDO							

over operating free-air temperature range (unless otherwise noted)

PARAMETER		TEST CONDITIONS	MIN	TYP	MAX	UNIT
V _{MCULDO}	Output Voltage ⁽¹⁾	I _{MCULDO} < 30 mA, V _{CC} > 2.2 V, VMCUSET = 00 (T < 80°C for no load)	1.425	1.5	1.575	V
		I _{MCULDO} < 10 µA, V _{CC} > 2.2 V, VMCUSET = 00, T > 80°C	1.425	1.5	1.65	V
		I _{MCULDO} < 30 mA, V _{CC} > 2.6 V, VMCUSET = 01 (T < 80°C for no load)	1.71	1.8	1.89	V
		I _{MCULDO} < 10 µA, V _{CC} > 2.6 V, VMCUSET = 01, T > 80°C	1.71	1.8	1.98	V
		I _{MCULDO} < 30 mA, V _{CC} > 3.65 V, VMCUSET = 10 (T < 80°C for no load)	2.38	2.5	2.63	V
		I _{MCULDO} < 10 µA, V _{CC} > 3.65 V, VMCUSET = 10, T > 80°C	2.38	2.5	2.75	V
		I _{MCULDO} < 10 mA, V _{CC} > 3.65 V, VMCUSET = 11 (T < 80°C for no load)	3.13	3.3	3.47	V
		I _{MCULDO} < 10 µA, V _{CC} > 4.5 V, VMCUSET = 11, T > 80°C	3.13	3.3	3.60	V
	I _{MCULDO} < 50 mA, V _{CC} > 5.5 V, VMCUSET = 11	3.13	3.3	3.47	V	
	DC Output Voltage Accuracy	T < 80°C	- 5		5	%
V _{MCULDO,PG}	MCULDO power good threshold	VMCU rising	75	82	95	%
		VMCU falling	65	78	85	%
I _{MCULDO}	Output Current Range	V _{CC} > 2.2 V, VMCUSET = 00	0		30	mA
		V _{CC} > 2.6 V, VMCUSET = 01	0		30	mA
		V _{CC} > 3.65 V, VMCUSET = 10	0		30	mA
		V _{CC} > 4.5 V, VMCUSET = 11	0		50	mA
V _{MCULDO, TR}	MCULDO load transient regulation	I _{MCULDO} stepped from 0 mA to 10 mA in 1µs, T < 80°C	- 7		7	%
		I _{MCULDO} stepped from 0 mA to 10 mA in 1µs, T > 80°C	- 8		8	%
		I _{MCULDO} stepped from 10 mA to 0 mA in 1µs, T < 80°C	- 5		5	%
		I _{MCULDO} stepped from 10 mA to 0 mA in 1µs, T > 80°C	- 8		8	%
I _{MCULDO, SC}	Short Circuit current limit		72	162	253	mA
t _{MCULDO, PWR}	Power Up Time	C _{MCULDO} = 1µF, time from VMCU=0V to 90% of target voltage		600	1100	µs
T _{MCULDO, PG}	MCULDO power good deglitch time		92	125	158	µs
T _{MCULDO, MASK}	MCULDO low voltage error mask time. MCULDO_ERR is masked for T_MCULDO,MASK after VMCUSET or MCU_DIS is changed.			10		ms
I _{MCULDO, Q}	Quiescent Current	I _{MCULDO} = 0µA		2.04	3	µA
C _{MCULDO}	Output Capacitor	Ceramic	0.7	1	10	µF
	ESR of Output Capacitor				100	mΩ

over operating free-air temperature range (unless otherwise noted)

PARAMETER		TEST CONDITIONS	MIN	TYP	MAX	UNIT
R _{MCUSEL}	MCUSEL component requirements. Not tested in production	Pull-down resistance to set VMCUSET[1:0]=00 on powerup	558	620	682	Ω
		Pull-down resistance to set VMCUSET[1:0]=01 on powerup	0		10	Ω
		Pull-up resistance to VINT to set VMCUSET[1:0]=10 on powerup	0		10	Ω
		Capacitance to set VMCUSET[1:0]=11 on powerup	300		1000	pF
DCDC BOOST REGULATOR						
V _{BST}	Boost minimum output voltage. Load applied after voltage settles. Note: average output voltage depends on ripple.	I _{BST} < 50 mA, 2.0 V < VBAT < 2.5 V, VBST = 0000, BST_CLIM[3:0] = 1111	2.45	2.7	2.808	V
		I _{BST} < 50 mA, 2.0 V < VBAT < 3.5 V, VBST = 0001, BST_CLIM[3:0] = 1111	3.55	3.8	3.952	V
		I _{BST} < 50 mA, 2.0 V < VBAT < 4.0 V, VBST = 0010, BST_CLIM[3:0] = 1111	4.40	4.7	4.888	V
		I _{BST} < 50 mA, 2.0 V < VBAT < 5.2 V, VBST = 0011, BST_CLIM[3:0] = 1111	5.60	6	6.24	V
		I _{BST} < 30 mA, 2.0 V < VBAT < 8.0 V, VBST = 0100, BST_CLIM[3:0] = 1111	8.64	9	9.36	V
		I _{BST} < 30 mA, 2.0 V < VBAT < 9.0 V, VBST = 0101, BST_CLIM[3:0] = 1111	9.6	10	10.4	V
		I _{BST} < 30 mA, 2.0 V < VBAT < 9.5 V, VBST = 0110, BST_CLIM[3:0] = 1111	10.08	10.5	10.92	V
		I _{BST} < 30 mA, 2.0 V < VBAT < 10.0 V, VBST = 0111, BST_CLIM[3:0] = 1111	10.56	11	11.44	V
V _{BST}	Boost minimum output voltage. Load applied after voltage settles. Note: average output voltage depends on ripple.	I _{BST} < 30 mA, 2.0 V < VBAT < 10.5 V, VBST = 1000, BST_CLIM[3:0] = 1111	10.96	11.5	11.96	V
V _{BST}	Boost minimum output voltage. Load applied after voltage settles. Note: average output voltage depends on ripple.	I _{BST} < 20 mA, 2.0 V < VBAT < 13.5 V, VBST = 1001, BST_CLIM[3:0] = 1111	14.4	15	15.6	V
V _{BST, PG}	Power good threshold	V _{BST} rising		96		%
		V _{BST} falling		85		
I _{BST, PWRUP}	Output current when boost is powering up. The boost output current is limited when VBST is below the specified voltage.	VBST = 0000, VCC = VBST < 2.7 V			5	mA
		VBST = 0001:1000, VCC = VBST < 3.0 V			5	mA

over operating free-air temperature range (unless otherwise noted)

PARAMETER		TEST CONDITIONS	MIN	TYP	MAX	UNIT
I _{BST, PEAK}	Inductor peak current setting	BST_CLIM[3:0] = 0000, VCC=2.6 V	4	30	70	mA
		BST_CLIM[3:0] = 0001, VCC=2.6 V	18	40	75	mA
		BST_CLIM[3:0] = 0010, 2.6 V < VCC < 3.65 V	18	50	90	mA
		BST_CLIM[3:0] = 0011	18	60	105	mA
		BST_CLIM[3:0] = 0100	43	80	130	mA
		BST_CLIM[3:0] = 0101	69	100	150	mA
		BST_CLIM[3:0] = 0110	102	130	190	mA
		BST_CLIM[3:0] = 0111	133	160	220	mA
		BST_CLIM[3:0] = 1000	168	200	275	mA
		BST_CLIM[3:0] = 1001	198	240	324	mA
		BST_CLIM[3:0] = 1010	230	280	384	mA
		BST_CLIM[3:0] = 1011	262	320	444	mA
		BST_CLIM[3:0] = 1100	291	360	504	mA
		BST_CLIM[3:0] = 1101	324	400	566	mA
BST_CLIM[3:0] = 1110	360	450	640	mA		
BST_CLIM[3:0] = 1111	398	500	720	mA		
R _{DS, BST}	Low-side MOSFET on resistance	VCC = 3.3 V	0	0.9	1.18	Ω
I _{BST, STANDBY}	Standby current. Current does not include bias block or 8 MHz oscillator.	I _{BST} = 0, BST_EN=1.		100	150	μA
C _{BST}	Recommended external capacitance			4.7		μF
L _{BST}	Recommended external inductance			33		μH
R _{IND, BST}	Recommended inductor DC resistance			0.5	0.8	Ω
T _{BST, PG}	Boost power good deglitch time		110	141	172	μs
T _{BST, ACT}	Boost activity monitor delay time—BST_nACT is set to 1 when the boost converter has not switched for T _{BST, ACT} while BST_EN=1. Not tested in production.	T_BSTACT[1:0] = 00	0.1	0.156	0.2	ms
		T_BSTACT[1:0] = 01	0.9	1	1.1	
		T_BSTACT[1:0] = 10	9.4	10	10.6	
		T_BSTACT[1:0] = 11	94	100	106	
T _{BST, MASK}	Boost converter BST_ERR mask time. BST_ERR is masked for T _{BST, MASK} after VBST or BST_EN is changed.			10		ms
PHOTO CHAMBER INPUT STAGE AMPLIFIER						
V _{PDO}	Output voltage range	PAMP_EN=1, Feedback network: 1.5M Ω, 10pF	0		0.5	V
f _{PDIN, BW}	Unity Gain Bandwidth		1		5	MHz
V _{PDIN, OFS}	Input Offset Voltage		-530	-195	240	μV

over operating free-air temperature range (unless otherwise noted)

PARAMETER		TEST CONDITIONS	MIN	TYP	MAX	UNIT
V _{PDO, OFS}	Output Offset Voltage	50mV applied to PDP with 1.5MΩ series resistor. 1.5MΩ resistor connects PDN to PDO. Voltage measured between 50mV and PDO.	-10		10	mV
f _{PDIN, CHOP}	Chop Frequency			2		MHz
T _{PDIN, SET}	Input amplifier settling time. Time between stepping the current and measuring 90% of the final value + 10% of the initial value at PDO	Feedback network: 1.5M Ω, 10pF. 1 nA to 10 nA applied from PDN to PDP. 0V reference	0	30	40	μs
		Feedback network: 1.5MΩ, 5pF. 1.5MΩ connected from PDP to PREF. 1 nA to 10 nA applied from PDN to PDP. PREF_SEL=1	0	20	40	μs
I _{PDIN, ACT}	Active current. Current does not include bias block or 8 MHz oscillator.			175	210	μA
PHOTO CHAMBER GAIN STAGE AMPLIFIER						
G _{PGAIN}	Closed Loop Gain Slope (V _{AOUT_PH2} -V _{AOUT_PH1})/(V _{SIG2} -V _{SIG1}). Apply V _{SIG1} from PREF to PDO and measure AOUT_PH. Apply V _{SIG2} from COTEST to PDO and measure AOUT_PH	V _{PDO1} =10mV, V _{PDO2} =20mV, PREF_SEL=0, PGAIN[1:0] = 00	4.75	4.9	5.05	V/V
		V _{PDO1} =10mV, V _{PDO2} =20mV, PREF_SEL=0, PGAIN[1:0] = 01	10.67	11	11.33	V/V
		V _{PDO1} =10mV, V _{PDO2} =20mV, PREF_SEL=0, PGAIN[1:0] = 10	19.4	20	20.6	V/V
		V _{PDO1} =10mV, V _{PDO2} =20mV, PREF_SEL=0, PGAIN[1:0] = 11	33.95	35	36.05	V/V
	Closed Loop Gain Slope (V _{AOUT_PH2} -V _{AOUT_PH1})/(V _{SIG2} -V _{SIG1}). Apply V _{SIG1} from PREF to PDO and measure AOUT_PH. Apply V _{SIG2} from PREF to PDO and measure AOUT_PH	V _{SIG1} =10mV, V _{SIG2} =20mV, PREF_SEL=1, PGAIN[1:0] = 00	4.61	4.75	4.89	V/V
		V _{SIG1} =10mV, V _{SIG2} =20mV, PREF_SEL=1, PGAIN[1:0] = 01	10.09	10.4	10.71	V/V
		V _{SIG1} =10mV, V _{SIG2} =20mV, PREF_SEL=1, PGAIN[1:0] = 10	17.94	18.5	19.06	V/V
		V _{SIG1} =10mV, V _{SIG2} =20mV, PREF_SEL=1, PGAIN[1:0] = 11	31.28	32.25	33.22	V/V
F _{PGAIN, BW}	Unity Gain Bandwidth		1	5	8	MHz
V _{PGAIN, OFS}	Input offset Voltage		-6		5	mV
T _{PGAIN, SET}	Gain amplifier settling time. Time between stepping the voltage and measuring 90% of the final value + 10% of the initial value at AOUT_PH	PGAIN[1:0]=00. PDO stepped from 3mV to 30mV. PREF_SEL=0		1.8	2.522	μs
I _{PGAIN, ACT}	Active current. Current does not include bias block.	1.0 V input voltage, PGAIN[1:0] = 00, PGAIN_EN = 1		40	70	μA
LED LDO						
V _{LELDO}	LELDO output voltage range		7.5		10	V

over operating free-air temperature range (unless otherwise noted)

PARAMETER		TEST CONDITIONS		MIN	TYP	MAX	UNIT
V _{LELDLDO, ACC}	LDO output accuracy	I _{LELDLDO} = 0uA to 100uA		-5		5	%
V _{LELDLDO, RES}	LED LDO output step size				0.5		V
I _{LELDLDO, OUT}	LDO output current limit			1	3	6	mA
I _{LELDLDO, Q}	Quiescent current. Current does not include bias block.				31	60	μA
V _{LELDLDO, DROP}	LED LDO dropout voltage	VBST=7V, I _{LELDLDO} =100uA	VBST=7V, I _{LELDLDO} =100uA		565	1000	mV
LED DRIVER A							
N _{PDACA, RES}	Resolution				8		Bits
V _{CSA}	CSA output voltage	T _J = 27°C TEMP _{COA} [1:0] = 00, PDAC _A = 00, R _{CSA} =1 kOhms, V _{DINA} =3V		274	299	323	mV
		T _J = 27°C TEMP _{COA} [1:0] = 00, PDAC _A = FF, R _{CSA} =1 kOhms, V _{DINA} =3V		567	593	619	mV
		T _J = 27°C TEMP _{COA} [1:0] = 01, PDAC _A = 00, R _{CSA} =1 kOhms, V _{DINA} =3V		252	277	301	mV
		T _J = 27°C TEMP _{COA} [1:0] = 01, PDAC _A = FF, R _{CSA} =1 kOhms, V _{DINA} =3V		546	572	597	mV
		T _J = 27°C TEMP _{COA} [1:0] = 10, PDAC _A = 00, R _{CSA} =1 kOhms, V _{DINA} =3V		164	188	213	mV
		T _J = 27°C TEMP _{COA} [1:0] = 10, PDAC _A = FF, R _{CSA} =1 kOhms, V _{DINA} =3V		458	484	510	mV
		T _J = 27°C TEMP _{COA} [1:0] = 11, PDAC _A = 00, R _{CSA} =1 kOhms, V _{DINA} =3V		54	79	104	mV
		T _J = 27°C TEMP _{COA} [1:0] = 11, PDAC _A = FF, R _{CSA} =1 kOhms, V _{DINA} =3V		350	376	403	mV
V _{PDACA, STEP}	DAC step size				1.18		mV
	INL			-10		10	LSB
	DNL			-1.5		1.5	LSB
t _{PDACA, SET}	Settling Time				1	5	μs
K _{PDACA, COMP}	CSA temperature compensation coefficient	TEMP _{COA} [1:0] = 00, PDAC _A [7:0] = 0x00, R _{CSA} =1 kOhms, V _{DINA} =3V, T _J =0°C, 50°C		0.174	0.347	0.521	mV/°C
		TEMP _{COA} [1:0] = 01, PDAC _A [7:0] = 0x00, R _{CSA} =1 kOhms, V _{DINA} =3V, T _J =0°C, 50°C		0.208	0.416	0.624	mV/°C
		TEMP _{COA} [1:0] = 10, PDAC _A [7:0] = 0x00, R _{CSA} =1 kOhms, V _{DINA} =3V, T _J =0°C, 50°C		0.346	0.693	1.039	mV/°C
		TEMP _{COA} [1:0] = 11, PDAC _A [7:0] = 0x00, R _{CSA} =1 kOhms, V _{DINA} =3V, T _J =0°C, 50°C		0.520	1.040	1.560	mV/°C

over operating free-air temperature range (unless otherwise noted)

PARAMETER		TEST CONDITIONS	MIN	TYP	MAX	UNIT
V _{DINA, DROP}	Dropout voltage. Voltage required between DINA and CSA for current regulation.	PLDO=3.6V, R _{CSA} =820mΩ, TEMPCOA[1:0]=11, PDAC_A[7:0]=0x28, T _J =27°C (I _{LED} ≈158mA, 0.8% temp coefficient)			300	mV
		PLDO=3.6V, R _{CSA} =820mΩ, TEMPCOA[1:0]=01, PDAC_A[7:0]=0x79, T _J =27°C (I _{LED} ≈507mA, 0.1% temp coefficient)			500	mV
I _{DINA}	LED current		0		550	mA
LED DRIVER B						
N _{PDACB, RES}	Resolution			8		Bits
V _{CSB}	CSB output voltage	T _J = 27°C TEMPCOB[1:0] = 00, PDAC_B = 00, R _{CSB} =1 kOhms, V _{DINB} =3V	271	299	327	mV
		T _J = 27°C TEMPCOB[1:0] = 00, PDAC_B = FF, R _{CSB} =1 kOhms, V _{DINB} =3V	562	594	626	mV
		T _J = 27°C TEMPCOB[1:0] = 01, PDAC_B = 00, R _{CSB} =1 kOhms, V _{DINB} =3V	250	277	305	mV
		T _J = 27°C TEMPCOB[1:0] = 01, PDAC_B = FF, R _{CSB} =1 kOhms, V _{DINB} =3V	541	572	604	mV
		T _J = 27°C TEMPCOB[1:0] = 10, PDAC_B = 00, R _{CSB} =1 kOhms, V _{DINB} =3V	163	189	216	mV
		T _J = 27°C TEMPCOB[1:0] = 10, PDAC_B = FF, R _{CSB} =1 kOhms, V _{DINB} =3V	456	486	516	mV
		T _J = 27°C TEMPCOB[1:0] = 11, PDAC_B = 00, R _{CSB} =1 kOhms, V _{DINB} =3V	55	81	108	mV
		T _J = 27°C TEMPCOB[1:0] = 11, PDAC_B = FF, R _{CSB} =1 kOhms, V _{DINB} =3V	350	379	408	mV
V _{PDACB, STEP}	DAC step size			1.18		mV
	INL		-10		10	LSB
	DNL		-1.5		1.5	LSB
t _{PDACB, SET}	Settling time			1	5	μs

over operating free-air temperature range (unless otherwise noted)

PARAMETER		TEST CONDITIONS	MIN	TYP	MAX	UNIT
K _{PDACB, COMP}	CSB temperature compensation coefficient	TEMPCOB[1:0] = 00, PDAC[7:0] = 0x00, R _{CSB} = 1 kOhms, V _{DINB} = 3V, T _J = 0°C, 50°C	0.174	0.347	0.521	mV/°C
		TEMPCOB[1:0] = 01, PDAC[7:0] = 0x00, R _{CSB} = 1 kOhms, V _{DINB} = 3V, T _J = 0°C, 50°C	0.208	0.416	0.624	mV/°C
		TEMPCOB[1:0] = 10, PDAC[7:0] = 0x00, R _{CSB} = 1 kOhms, V _{DINB} = 3V, T _J = 0°C, 50°C	0.346	0.693	1.039	mV/°C
		TEMPCOB[1:0] = 11, PDAC[7:0] = 0x00, R _{CSB} = 1 kOhms, V _{DINB} = 3V, T _J = 0°C, 50°C	0.520	1.040	1.560	mV/°C
V _{DINB, DROP}	Dropout voltage. Voltage required between DINB and CSB for current regulation.	PLDO = 3.6V, R _{CSA} = 820mΩ, TEMPCOB[1:0] = 11, PDAC[7:0] = 0x28, T _J = 27°C (I _{LED} ≈ 158mA, 0.8% temp coefficient)			300	mV
		PLDO = 3.6V, R _{CSA} = 820mΩ, TEMPCOB[1:0] = 01, PDAC[7:0] = 0x79, T _J = 27°C (I _{LED} ≈ 507mA, 0.1% temp coefficient)			500	mV
I _{DINB}	LED current		0		550	mA
CO TRANSIMPEDANCE AMPLIFIER						
R _{I, CO}	CO input resistance	COSWRI = 1	0.7	1	1.5	kΩ
R _{F, CO}	CO feedback resistance	COGAIN[1:0] = 00, COSWRG = 1	770	1100	1430	kΩ
		COGAIN[1:0] = 01, COSWRG = 1	210	300	390	kΩ
		COGAIN[1:0] = 10, COSWRG = 1	350	500	650	kΩ
		COGAIN[1:0] = 11, COSWRG = 1	560	800	1040	kΩ
V _{IN, COP}	CO amplifier input voltage (COP pin)		0		0.6	V
V _{IN, CON}	CO amplifier input voltage (CON pin)		0		0.6	V
V _{OFFS, CO}	CO amplifier input offset voltage		-130	94	300	μV
V _{OUT, COO}	CO amplifier output voltage (COO pin)		0.1		2	V
I _{CO, Q}	CO amplifier quiescent current			0.63	2.1	μA
f _{CO, BW}	CO amplifier unity gain bandwidth		5	12	20	kHz
f _{CO, CHOP}	CO amplifier chop frequency		3.8	4	4.2	kHz
R _{COO}	CO amplifier output resistance	COSWRO = 1	70	95	130	kΩ

over operating free-air temperature range (unless otherwise noted)

PARAMETER		TEST CONDITIONS	MIN	TYP	MAX	UNIT
V _{COPREF}	CO amplifier reference voltage	COSWREF=1, COREF[1:0] = 00, T _J = 27°C	0.89	1.14	1.47	mV
		COSWREF=1, COREF[1:0] = 00, T _J = -40°C to 85°C	0.86	1.14	1.66	
		COSWREF=1, COREF[1:0] = 01, T _J = 27°C	1.75	2.23	2.7	
		COSWREF=1, COREF[1:0] = 01, T _J = -40°C to 85°C	1.7	2.23	2.95	
		COSWREF=1, COREF[1:0] = 10, T _J = 27°C	2.6	3.23	4	
		COSWREF=1, COREF[1:0] = 10, T _J = -40°C to 85°C	2.55	3.23	4.24	
		COSWREF=1, COREF[1:0] = 11, T _J = 27°C	3.45	4.43	5.38	
		COSWREF=1, COREF[1:0] = 11, T _J = -40°C to 85°C	3.4	4.43	5.48	
R _{COTEST, PU}	COTEST pull up FET resistance		0.36	0.76	1.1	kΩ
R _{COTEST, PD}	COTEST pull-down FET resistance		0.25	0.37	0.82	kΩ
INTERCONNECT						
I _{SNK, INT_UNIT}	Interconnect sink current	INT_DIR = 1, INT_MCU = 0 V, VBST = 11.5 V, INT_UNIT = 0.8 V	4	7.35	15	mA
		INT_DIR = 1, INT_MCU = 0 V, VBST = 11.5 V, INT_UNIT = 2.0 V	5	14.7	30	mA
		INT_DIR = 1, INT_MCU = 0 V, VBST = 11.5 V, INT_UNIT = 6.0 V	9	19.4	30	mA
		INT_DIR = 1, INT_MCU = 0 V, VBST = 11.5 V, INT_UNIT = 10 V	9	19.0	30	mA
I _{SRC, INT_UNIT}	Interconnect source current	INT_DIR = 1, INT_MCU = VMCU, VBST = 11.5 V, INT_UNIT = 0.8 V	4	7.6	15	mA
		INT_DIR = 1, INT_MCU = VMCU, VBST = 11.5 V, INT_UNIT = 2.0 V	4	7.6	15	mA
		INT_DIR = 1, INT_MCU = VMCU, VBST = 11.5 V, INT_UNIT = 6.0 V	4	7.0	13	mA
		INT_DIR = 1, INT_MCU = VMCU, VBST = 11.5 V, INT_UNIT = 10 V	1	1.6	4	mA
t _{INT, DEG}	Interconnect deglitch time	INT_DIR = 0, INT_DEG[1:0] = 00	0	0	0.065	ms
		INT_DIR = 0, INT_DEG[1:0] = 01	0.090	0.125	0.160	
		INT_DIR = 0, INT_DEG[1:0] = 10	0.9	1	1.1	
		INT_DIR = 0, INT_DEG[1:0] = 11	19.4	20	20.6	
I _{INT, Q}	Interconnect standby current	INT_DIR = 0		0.25	0.5	μA

over operating free-air temperature range (unless otherwise noted)

PARAMETER		TEST CONDITIONS	MIN	TYP	MAX	UNIT
V _{INT_UNIT, IHI}	Interconnect input high threshold voltage	INT_HYS = 0	1.3	2.0	2.7	V
V _{INT_UNIT, IHI}	Interconnect input high threshold voltage	INT_HYS = 1	1.3	2.0	2.7	V
V _{INT_UNIT, ILO}	Interconnect low threshold voltage	INT_HYS = 0	0.5	0.8	1.1	V
V _{INT_UNIT, ILO}	Interconnect low threshold voltage	INT_HYS = 1	1.2	1.8	2.7	V
V _{INT_UNIT, HYS}	Interconnect input hysteresis	INT_HYS = 0	0.7	1.2	1.7	V
		INT_HYS = 1	0.01	0.2	0.3	V
R _{INT_UNIT, PD}	Interconnect input pulldown resistance	INT_PD=1	65	107	165	kΩ
		INT_PD=0	3.5	41	56	MΩ
HORN DRIVER						
V _{OH, HORNSL}	HORNSL output high voltage	VBST = 11.5 V, I _{HORNSL} = -16 mA	11	11.3		V
V _{OL, HORNSL}	HORNSL output low voltage	VBST = 11.5 V, I _{HORNSL} = 16 mA		0.1	0.5	V
V _{OH, HORNBR}	HORNBR output high voltage	VBST = 11.5 V, I _{HORNBR} = -16 mA	11	11.3		V
V _{OL, HORNBR}	HORNBR output low voltage	VBST = 11.5 V, I _{HORNBR} = 16 mA		0.1	0.5	V
t _{R, HORNSL2}	HORNSL rise time, 2 terminal	VBST=11.5V, no load, HORNSEL=0, HORNFB from 0 to VMCU. Time from V _{HORNSL} =1.15V to V _{HORNSL} =10.35V		10	20	ns
t _{F, HORNSL2}	HORNSL fall time, 2 terminal	VBST=11.5V, no load, HORNSEL=0, HORNFB from VMCU to 0. Time from V _{HORNSL} =10.35V to V _{HORNSL} =1.15V		10	20	ns
t _{R, HORNBR2}	HORNBR rise time, 2 terminal	VBST=11.5V, no load, HORNSEL=0, HBEN from 0 to VMCU. Time from V _{HORNBR} =1.15V to V _{HORNBR} =10.35V		10	20	ns
t _{F, HORNBR2}	HORNBR fall time, 2 terminal	VBST=11.5V, no load, HORNSEL=0, HBEN from VMCU to 0. Time from V _{HORNBR} =10.35V to V _{HORNBR} =1.15V		10	20	ns
t _{R, HORNSL3}	HORNSL rise time, 3 terminal	VBST=11.5V, C _{HORNSL} =82nF to GND, HORNSEL=1, HORN_THR=00, HORNFB from 0V to 3V. Time from V _{HORNSL} =1.15V to V _{HORNSL} =10.35V		2.9	5	μs
t _{F, HORNSL3}	HORNSL fall time, 3 terminal	VBST=11.5V, C _{HORNSL} =82nF to GND, HORNSEL=1, HORN_THR=00, HORNFB from 3V to 0V. Time from V _{HORNSL} =10.35V to V _{HORNSL} =1.15V		2.3	5	μs

over operating free-air temperature range (unless otherwise noted)

PARAMETER		TEST CONDITIONS	MIN	TYP	MAX	UNIT
$t_{R, HORNBR3}$	HORNBR rise time, 3 terminal	VBST=11.5V, $C_{HORNSL}=82nF$ to GND, HORNSEL=1, HORN_THR=00, HORNFB from 3V to 0V. Time from $V_{HORNBR}=1.15V$ to $V_{HORNBR}=10.35V$		3.1	5	μs
$t_{F, HORNBR3}$	HORNBR fall time, 3 terminal	VBST=11.5V, $C_{HORNSL}=82nF$ to GND, HORNSEL=1, HORN_THR=00, HORNFB from 0V to 3V. Time from $V_{HORNBR}=10.35V$ to $V_{HORNBR}=1.15V$		2.5	5	μs
$V_{IH2, HORNFB}$	Horn driver input high voltage. HBEN and HORNFB	VBST = 11.5 V, HORNSEL = 0	$0.35 \times V_{MCU}$	$0.7 \times V_{MCU}$		V
$V_{IL2, HORNFB}$	Horn driver input low voltage. HBEN and HORNFB	VBST = 11.5 V, HORNSEL = 0	$0.25 \times V_{MCU}$	$0.65 \times V_{MCU}$		V
$t_{SKEW,HIGH}$	Horn driver output high delay mismatch. Difference in output delay between HORNFB to HORNSL and HBEN to HORNBR	HORNSEL=0, VBST=11.5V, HORNFB and HBEN switch from 0 to VMCU.	0	1	10	ns
$t_{SKEW,LOW}$	Horn driver output low delay mismatch. Difference in output delay between HORNFB to HORNSL and HBEN to HORNBR	HORNSEL=0, VBST=11.5V, HORNFB and HBEN switch from VMCU to 0.	0	2	10	ns
$I_{HORN,Q}$	Horn driver quiescent current. Current does not include bias block.	HORNSEL=0, VBST=11.5V, HORNFB, HBEN=0, HORN_EN=1. Current from VBST, VCC pins measured	0	80.1	150	μA
		HORNSEL=1, VBST=11.5V, HORNFB=0, HBEN=1, HORN_EN=1. Current from VBST, VCC pins measured	0	65	150	μA
ANALOG MULTIPLEXER						
V_{MUX}	Multiplexer buffer input signal voltage range	AMUX_BYP=0	0.05		2	V
$G_{MUX, GAIN}$	Multiplexer buffer output gain	AMUX_BYP=0	0.99	1	1.01	V/V
$V_{MUX, OFFS}$	Multiplexer buffer offset voltage	AMUX_BYP=0	-8	-0.5	8	mV
$t_{MUX, EN}$	Multiplexer buffer enable settling time	AMUX_BYP=0, AMUX_SEL stepped from 000 to 011 with PDO=2V, PAMP_EN=0. Time until AMUX reaches 99% of its final value	0	10	15	us
$t_{MUX, STEP}$	Multiplexer buffer input step settling time	AMUX_BYP=0, AMUX_SEL=011, PDO stepped from 50mV to 2V, PAMP_EN=0. Time until AMUX reaches 99% of its final value	0	10	15	us
$f_{MUX, BW}$	Multiplexer bandwidth	AMUX_BYP=0	0.5	1	25	MHz
$I_{MUX, OUT}$	Multiplexer output current	AMUX_BYP=0	-10		10	μA
$I_{MUX, Q}$	Multiplexer quiescent current. Current does not include bias block.	AMUX_BYP=0		8.3	50	μA

over operating free-air temperature range (unless otherwise noted)

PARAMETER		TEST CONDITIONS	MIN	TYP	MAX	UNIT
C_{MUX}	Multiplexer buffer output capacitor required for stability	AMUX_BYP=0	150		1000	pF
BATTERY TEST						
I_{BATEST}	Battery test load current.	VBST = 4.5 V to 11.5 V, IBATTEST = 000	9.15	10	10.76	mA
		VBST = 4.5 V to 11.5 V, IBATTEST = 001	11.13	12	12.64	mA
		VBST = 4.5 V to 11.5 V, IBATTEST = 010	12.94	14	14.89	mA
		VBST = 4.5 V to 11.5 V, IBATTEST = 011	14.65	16	17.29	mA
		VBST = 4.5 V to 11.5 V, IBATTEST = 100	16.3	18	19.63	mA
		VBST = 4.5 V to 11.5 V, IBATTEST = 101	17.96	20	22.06	mA
$t_{BATEST,RISE}$	Battery test rise time. Time from enabling battery test until 90% of target current is reached	VBST=10V, IBATTEST=101			10	us
$t_{BATEST,FALL}$	Battery test fall time. Time from disabling battery test until 10% of initial current is reached	VBST=10V, IBATTEST=101			10	us
OSCILLATOR, REFERENCE SYSTEM						
f_{OSC8}	Oscillator frequency			8		MHz
	Frequency accuracy	$T_A = -10^{\circ}\text{C}$ to 70°C	- 3		3	%
f_{OSC32}	Low-power Oscillator frequency			32		kHz
	Frequency accuracy	$T_A = -10^{\circ}\text{C}$ to 70°C	- 3		3	%
$T_{TIMEOUT}$	Error timeout time		0.9	1	1.1	s
$I_{REF0P3,Q}$	REF0P3 buffer quiescent current	VCC current difference between REF0P3_EN=0 and REF0P3=1. $I_{REF0P3}=0 \mu\text{A}$		0.38	0.76	μA
C_{REF0P3}	REF0P3 output capacitor required for stability		0.7	1	1.5	nF
$T_{REF0P3,SET}$	REF0P3 settling time	From REF0P3 enabled to 99% of final output voltage. $C_{REF0P3}=1\text{nF}$, $I_{REF0P3}=0 \mu\text{A}$		1	1.8	ms
$V_{REF0P3,OUT}$	REF0P3 output voltage	$I_{REF0P3} = 10 \mu\text{A}$	270	300	330	mV
		$I_{REF0P3} = -25 \mu\text{A}$	270	300	330	mV
$I_{VCCLOW,Q}$	VCC_LOW monitor quiescent current			0.9	2	μA
IO BUFFERS						
$V_{IO,ILO}$	IO buffer input low threshold	LEDEN, CSEL, INT_MCU, GPIO	$0.3 \times V_{MCU}$		$0.7 \times V_{MCU}$	V
$V_{IO,IHI}$	IO buffer input high threshold	LEDEN, CSEL, INT_MCU, GPIO	$0.3 \times V_{MCU}$		$0.7 \times V_{MCU}$	V
$I_{IO,LEAK}$	IO buffer input leakage current	LEDEN			100	nA
		HBEN			100	nA
		CSEL			100	nA

over operating free-air temperature range (unless otherwise noted)

PARAMETER		TEST CONDITIONS	MIN	TYP	MAX	UNIT
V _{IO,OL}	IO buffer output low-level	INT_MCU, GPIO. I _{IO} = 3 mA, V _{MCU} = 1.8 V	0	0.19	0.6	V
		INT_MCU, GPIO. I _{IO} = 1 mA, V _{MCU} = 1.5 V	0	0.20	0.6	V
V _{IO,OH}	IO buffer output high-level. Spec is the voltage drop from V _{MCU} (i.e. V _{MCU} - V _{OH})	INT_MCU, GPIO. I _{IO} = -3 mA, V _{MCU} = 1.8 V	0	0.30	0.6	V
		INT_MCU, GPIO. I _{IO} = -1 mA, V _{MCU} = 1.5 V	0	0.37	0.6	V
C _{IN,IO}	Input capacitance	LEDEN, CSEL		2	10	pF
		HBEN		2	10	pF
		INT_MCU, GPIO		2	10	pF
R _{IO,PD}	IO buffer input pulldown resistor	INT_MCU, GPIO	0.8	10	50	MΩ
THERMAL WARNING						
T _{WARNING}	Thermal trip point			110		C
THERMAL SHUTDOWN						
T _{SHTDWN}	Thermal trip point			125		C
	Thermal hysteresis		5	15	20	
t _{OTS,MASK}	Thermal error mask time. OTS_ERR is masked for t _{OTS,MASK} after device fully powers up or OTS_EN set to 1			300	350	us
I2C IO						
V _{I2C,IL}	Low-level input voltage		-0.5		0.3 × V _{MCU}	V
V _{I2C,IH}	High-level input voltage			0.7 × V _{MCU}		V
V _{I2C,HYS}	Hysteresis of Schmitt trigger inputs			0.05 × V _{MCU}		V
V _{I2C,OL}	Low-level output voltage	3 mA sink current; V _{MCU} > 2V	0		0.4	V
		2 mA sink current; V _{MCU} < 2V	0		0.2 × V _{MCU}	V
I _{I2C,OL}	Low-level output current	V _{OL} = 0.4 V	2.5			mA
		V _{OL} = 0.6 V	4			mA
I _{I2C,IN}	Input current to each I/O pin	0.1V _{MCU} < V _I < 0.9V _{MCUmax}	-10		10	μA
C _{I2C,IN}	Capacitance for each I/O pin				10	pF
t _{I2C,OF}	Output fall time	From V _{IHmin} to V _{ILmax} , Standard-Mode			250	ns
		From V _{IHmin} to V _{ILmax} , Fast-Mode			250	ns
t _{I2C,SP}	Pulse width of spikes that must be suppressed by the input filter		0		50	ns
I2C BUS LINES						
f _{SCL}	SCL clock frequency, Standard-Mode		0		100	kHz
	SCL clock frequency Fast-Mode		0		400	kHz

over operating free-air temperature range (unless otherwise noted)

PARAMETER		TEST CONDITIONS	MIN	TYP	MAX	UNIT
t _{HD;STA}	hold time (repeated) START condition, Standard-Mode	After this period, the first clock pulse is generated.	4			μs
	hold time (repeated) START condition, Fast-Mode	After this period, the first clock pulse is generated.	0.6			μs
t _{SCL,LOW}	LOW period of the SCL clock, Standard-Mode		4.7			μs
	LOW period of the SCL clock, Fast-Mode		1.3			μs
t _{SCL,HIGH}	HIGH period of the SCL clock, Standard-Mode		4			μs
	HIGH period of the SCL clock, Fast-Mode		0.6			μs
t _{SU;STA}	set-up time for a repeated START condition, Standard-Mode		4.7			μs
	set-up time for a repeated START condition, Fast-Mode		0.6			μs
t _{HD;DAT}	data hold time, Standard-Mode	CBUS compatible masters	5			μs
t _{HD;DAT}		I2C-bus devices	0			μs
t _{HD;DAT}	data hold time, Fast-Mode	CBUS compatible masters	0			μs
t _{HD;DAT}		I2C-bus devices	0			μs
t _{SU;DAT}	data set-up time, Standard-Mode		250			ns
	data set-up time, Fast-Mode		100			ns
t _{I2C,RISE}	rise time of both SDA and SCL signals, Standard-Mode				1000	ns
	rise time of both SDA and SCL signals, Fast-Mode		20		300	ns
t _{I2C,FALL}	fall time of both SDA and SCL signals, Standard-Mode				300	ns
	fall time of both SDA and SCL signals, Fast-Mode		20 × (VMCU / 5.5 V)		300	ns
t _{SU;STO}	set-up time for STOP condition, Standard-Mode		4			μs
	set-up time for STOP condition, Fast-Mode		0.6			μs
t _{BUF}	bus free time between a STOP and START condition, Standard-Mode		4.7			μs
	bus free time between a STOP and START condition, Fast-Mode		1.3			μs
t _{VD;DAT}	data valid time, Standard-Mode				3.45	μs
	data valid time, Fast-Mode				0.9	μs
t _{VD;ACK}	data valid acknowledge time, Standard-Mode				3.45	μs
	data valid acknowledge time, Fast-Mode				0.9	μs
C _{BUS}	capacitive load for each bus line, Standard-Mode				400	pF
	capacitive load for each bus line, Fast-Mode				250	pF

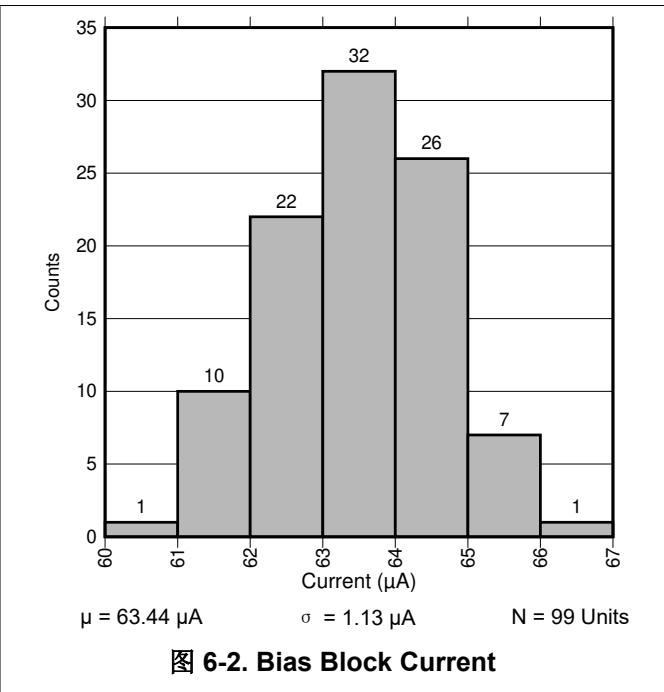
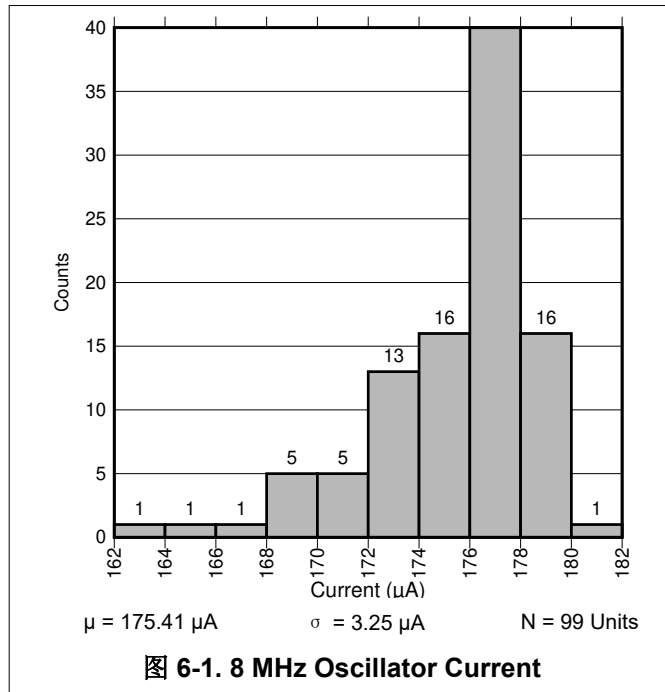
over operating free-air temperature range (unless otherwise noted)

PARAMETER	TEST CONDITIONS	MIN	TYP	MAX	UNIT
V _{NL}	noise margin at the LOW level	for each connected device (including hysteresis)		0.1 × V _{MCU}	V
V _{NH}	noise margin at the HIGH level	for each connected device (including hysteresis)		0.2 × V _{MCU}	V

(1) MCU LDO output voltage on power-up is determined by the MCUSEL pin state.

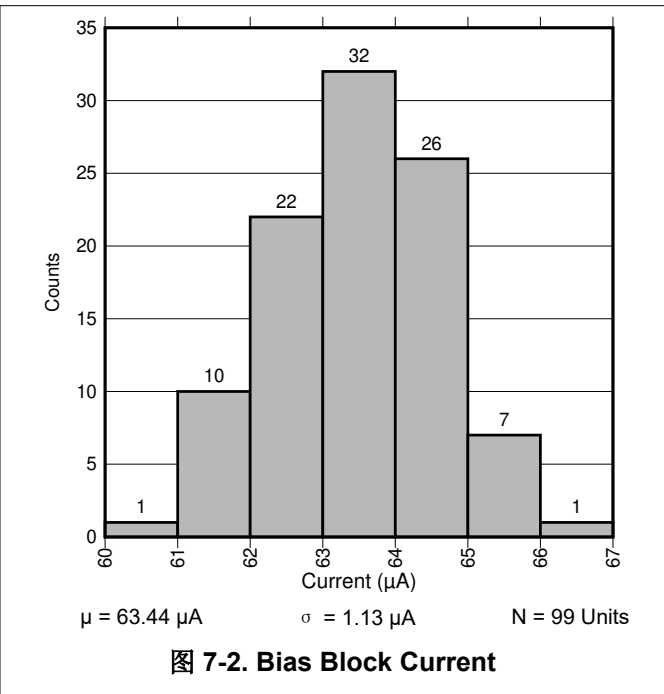
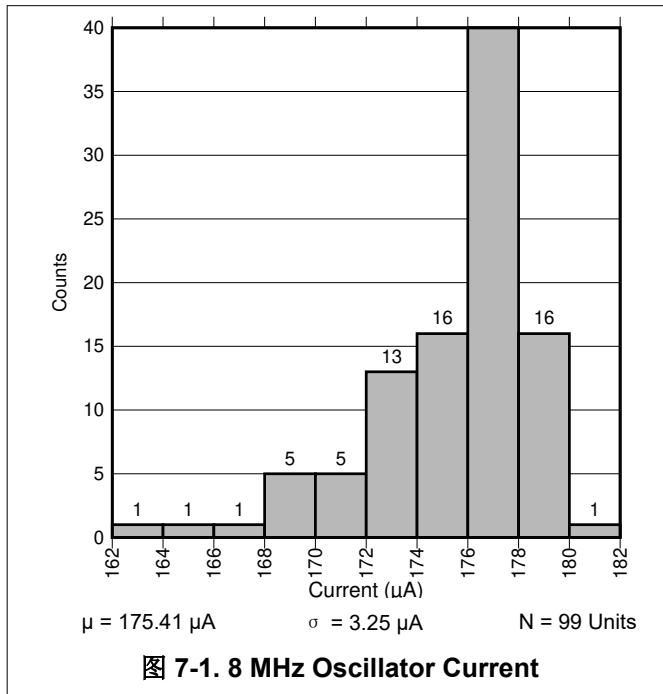
6.6 Typical Characteristics

T_A = 27°C, V_{CC} = 3.65 V



7 Typical Characteristics

T_A = 27°C, VCC = 3.65 V



8 Detailed Description

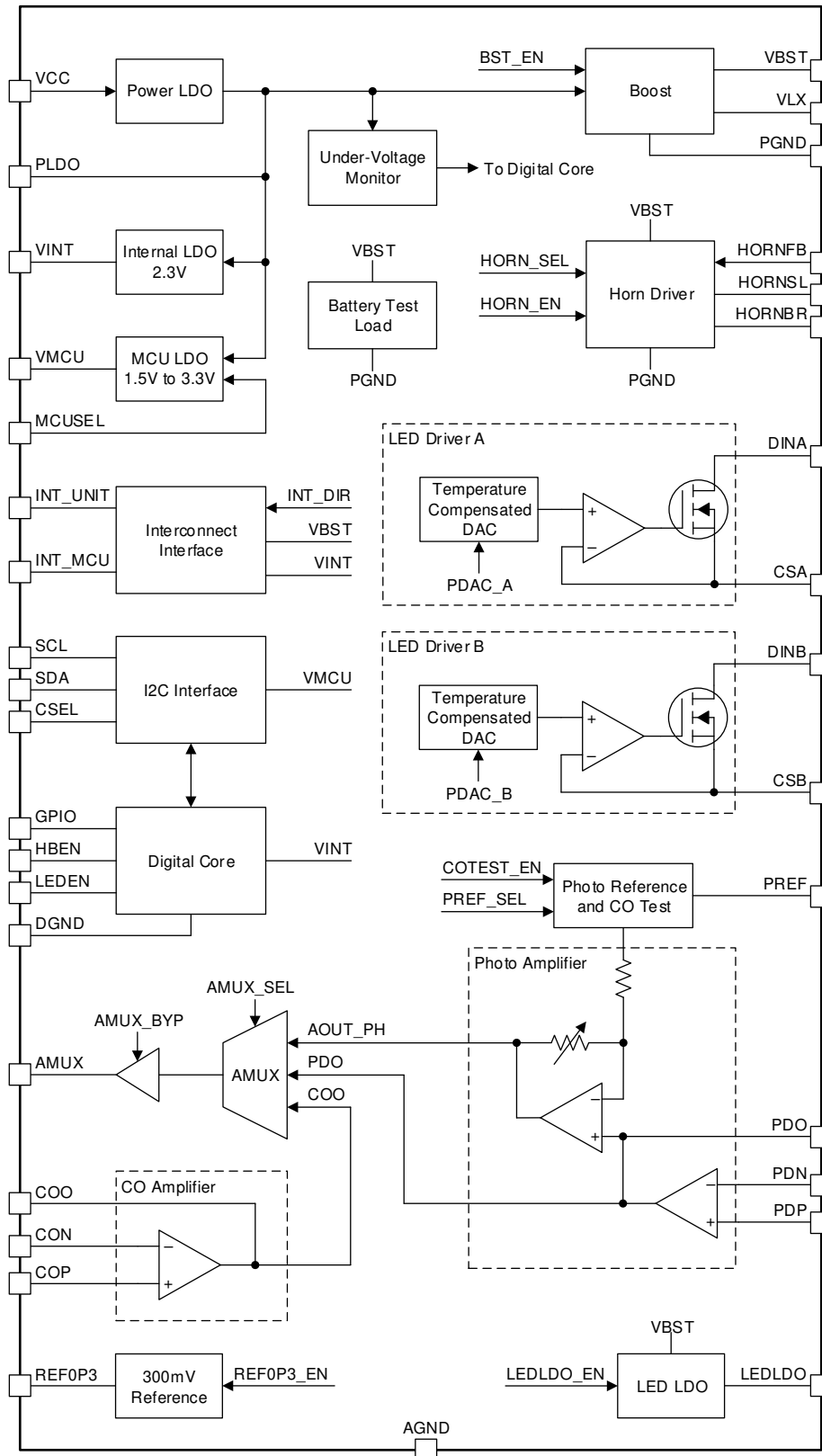
8.1 Overview

The TPS8802 integrates a boost converter, analog supply LDO, microcontroller supply LDO, photoelectric chamber analog front end (AFE), carbon monoxide sensor AFE, interconnect driver, piezo horn driver, analog multiplexer, and digital core. The high integration greatly reduces component count in smoke alarms and carbon monoxide alarms. The TPS8802 can be powered from a variety of sources:

- 9-V battery
- 3-V battery
- 2-V to 15-V DC supply
- DC supply with battery backup

The two LED drivers have highly configurable temperature compensation to support IR and blue LEDs over a wide range of currents. The wide bandwidth of the photo-amplifier saves power due to reduced LED on-time. The CO amplifier has integrated gain resistors. The horn driver is compatible with two-terminal or three-terminal piezo horns, and the three-terminal self-resonant mode is tunable to maximize piezo loudness. The wired interconnection driver allows multiple smoke alarm units to communicate alarm conditions. Each block is highly configurable with the digital core I²C interface, supporting on-the-fly adjustment of amplifier gains, regulator voltages, and driver currents. Digital features such as sleep mode, under-voltage boost enabling, and one-time boost charging are designed to reduce power consumption for the 10-year battery alarms. Configurable status and interrupt signal registers alert the MCU of fault conditions such as under-voltage, over-temperature, and interconnection alerts.

8.2 Functional Block Diagram



8.3 Feature Description

8.3.1 System Power-up

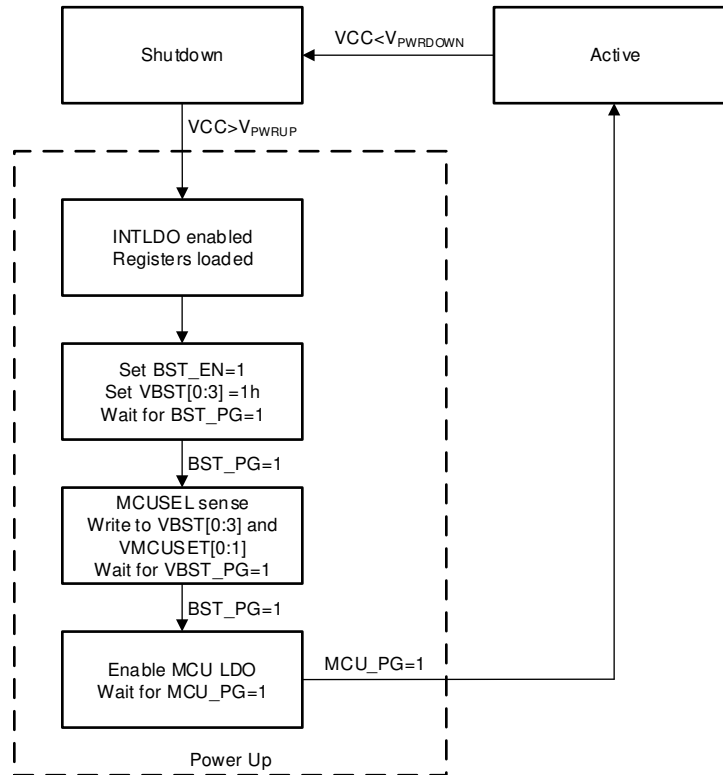


图 8-1. Power-up State Diagram

The TPS8802 can power-up from a battery above 2V connected to the input of the boost converter. This is achieved with an automatic power-up sequence. When the VCC voltage exceeds the V_{PWRUP} threshold, the device initializes for 6 ms. After the initialization, the boost converter is enabled and set to 3.8V. In a 3V battery powered system where VCC is connected to VBST, this raises the VCC and VBST voltage to provide power to the internal digital and analog blocks. The VBST voltage must exceed the power-good threshold for the 3.8V setting (typically 95% of its target voltage) for the power-up sequence to proceed. The MCUSEL pin is then sensed for 2 ms to determine the MCULDO voltage and program the VMCUSET and VBST register accordingly. 表 8-1 indicates the VMCU and VBST setting for each MCUSEL configuration. After VBST reaches its power-good threshold again, the MCULDO is enabled and the system waits for VMCU to reach its power-good threshold (typically 85% of its target voltage). The device enters its active state after VMCU reaches its power-good threshold. This sequence of events is outlined in 图 8-1 and 图 8-2.

If the boost converter is not being used, the same power-up sequence occurs, but the boost converter is not able to raise the voltage higher than what is supplied. The minimum VCC and VBST voltage depends on the VMCU voltage. If the MCUSEL pin sets VMCU to 1.5 V, 1.8 V, or 2.5 V, supply over 3.8V on VBST. If the MCUSEL pin sets VMCU to 3.3 V, supply over 4.7 V on VBST. If VMCU is set to 1.5 V, 1.8 V, or 2.5 V, provide over 2.6 V to VCC for power-up. If VMCU is set to 3.3 V, provide over 3.6 V to VCC for power-up. Higher VCC voltage may required depending on the VMCU load current.

表 8-1. VMCU and VBST Power-up Voltage

MCUSEL Connection	VMCU (V)	VBST (V)
620-Ω to GND	1.5	2.7
Short to GND	1.8	2.7
Short to VINT	2.5	3.8

**表 8-1. VMCU and VBST Power-up Voltage
(continued)**

MCUSEL Connection	VMCU (V)	VBST (V)
330-pF to GND	3.3	4.7

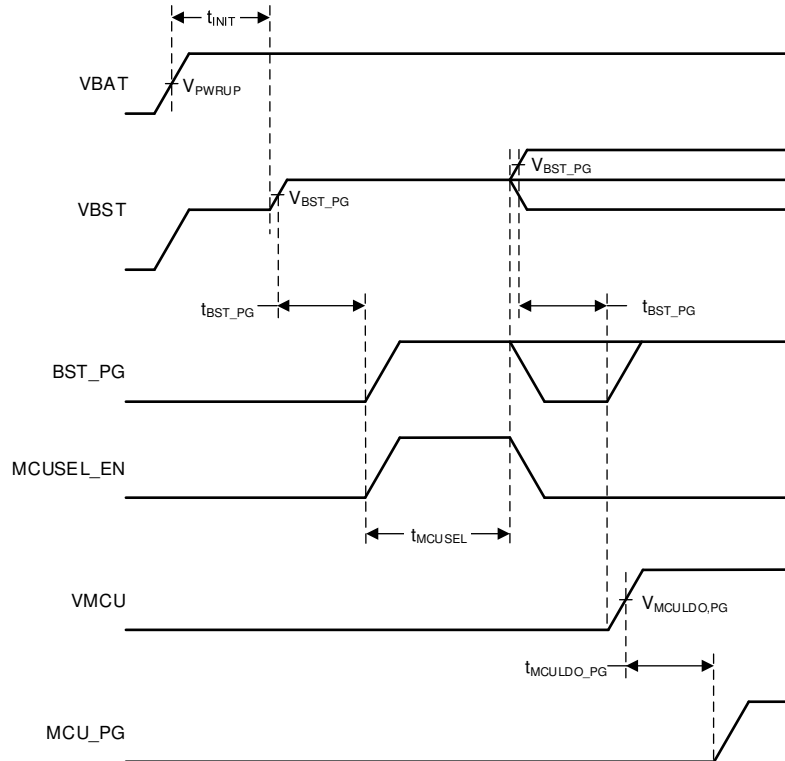


图 8-2. Power-up Timing Diagram

8.3.2 LDO Regulators

8.3.2.1 Power LDO Regulator

The power LDO is a voltage clamp that supplies many of the internal blocks in the TPS8802, including the internal LDO and MCU LDO. Because the power LDO is designed to clamp the VCC voltage, it is not precise and varies with VCC voltage and load. The power LDO shorts VCC and PLDO when the VCC voltage is below approximately 5 V, and regulates VCC when VCC is above approximately 5 V. The power LDO has a dropout voltage of approximately 1 V when it is regulating VCC. When the power LDO transitions from shorting to regulating, the PLDO voltage drops by approximately 1 V. Connect a 1- μ F capacitor to PLDO to stabilize the PLDO voltage.

The power LDO is designed for use by the device and can be used to supply external circuitry that has a voltage limit of 7 V. The power LDO can also be used to supply the IR or blue LED anode through a diode.

8.3.2.2 Internal LDO Regulator

The internal LDO (INT LDO) regulator powers the TPS8802 amplifiers and digital core with a stable 2.3 V supply. Connect a 1- μ F capacitor to VINT to stabilize the output. The INT LDO is always enabled when the device is powered. The INT LDO can be used to supply external circuitry. It is not recommended to power noisy or switching loads with INT LDO, as any noise on VINT couples to the internal amplifiers and can generate noise. The INT LDO can be used in the CO connectivity test circuitry and the photo reference circuitry.

photo amplifier stage is connected to the AMUX for ADC reading. This configuration provides high bandwidth and dynamic range for the photodiode signal chain as the gain stage is on-the-fly adjustable.

8.3.3.1 Photo Input Amplifier

The input stage is a wide-bandwidth, low-offset op-amp designed for amplifying photodiode currents. In [Figure 8-3](#), negative feedback causes the photodiode to conduct with zero voltage bias. The photo-current flows through resistors connected from PDP to a reference (GND or PREF) and PDN to PDO. These two resistors determine the gain of the input stage. The same value must be used for these two resistors because PDP and PDN leakage is amplified by these resistors. Capacitors installed in parallel with the resistors compensate the op-amp feedback loop for optimal response. The optimal compensation capacitance depends on the photodiode's capacitance. The compensation capacitance should be adjusted to minimize settling time without having overshoot on the output of the amplifier. Overshoot adds unnecessary noise in the output. The input stage outputs through the PDO pin, which is internally connected to the integrated photo gain stage and AMUX. When measuring the photo amplifier output, disable the boost converter to reduce the noise on the photo amplifier's output.

The input stage has the option of being referenced to GND or PREF. PREF is a reference that is normally pulled to VINT and is set to 50 mV when PREF_SEL = 1 and either PAMP_EN = 1 or PGAIN_EN = 1. The 50 mV reference keeps the input amplifier in a linear operating region when no signal is applied, improving the speed and zero-current sensitivity of the amplifier. It is generally recommended to set PREF_SEL=1 and connect the external gain resistor and compensation capacitor to PREF. Connect a 100-pF filtering capacitor from PREF to GND to reduce high frequency noise on PREF.

When measuring the photo amplifier output, it is recommended to take multiple ADC samples. Averaging ADC samples approximately reduces the noise by the square root of the amount of samples. The power consumed in a photoelectric smoke measurement is dominated by the LED power consumption, which is proportional to the LED on-time multiplied by the LED current. To maximize the signal-to-noise ratio for a given power level, set the LED pulse length to approximately twice the photo amplifier rise time and take multiple ADC samples while the output is stabilized.

In systems where the compensation capacitor is selected for a slower rise time and lower noise, take multiple ADC samples around the peak of the photo amplifier output.

8.3.3.2 Photo Gain Amplifier

The high-bandwidth, low noise photo gain amplifier connects to the output of the photo input stage to further amplify the photodiode signal. The gain amplifier is adjustable on-the-fly using the I²C interface. The gain amplifier has four settings:

- 5x (4.75x if PREF_SEL=1)
- 11x (10.4x if PREF_SEL=1)
- 20x (18.5x if PREF_SEL=1)
- 35x (32.3x if PREF_SEL=1)

The gain stage has the option of being referenced to GND or PREF with the PREF_SEL bit. When PREF_SEL=1, a 5 mV reference offset counteracts the gain stage's input offset voltage to keep the gain stage output above 50 mV. The 5 mV reference offset is amplified by the gain stage, causing the output to change when the gain is changed, even when there is zero photo-current. It is recommended to connect a 470 k Ω resistor from PREF to VINT if the gain is set to 11x, 20x, or 35x. This resistor changes the PREF voltage to 70 mV and prevents the output from dropping below 50 mV in worst-case conditions. Referencing the gain stage to PREF causes the 50 mV reference to change with signal level due to the finite impedance of the reference. Because the reference is changing with the signal level, the gain is slightly less with PREF_SEL=1.

8.3.4 LED Driver

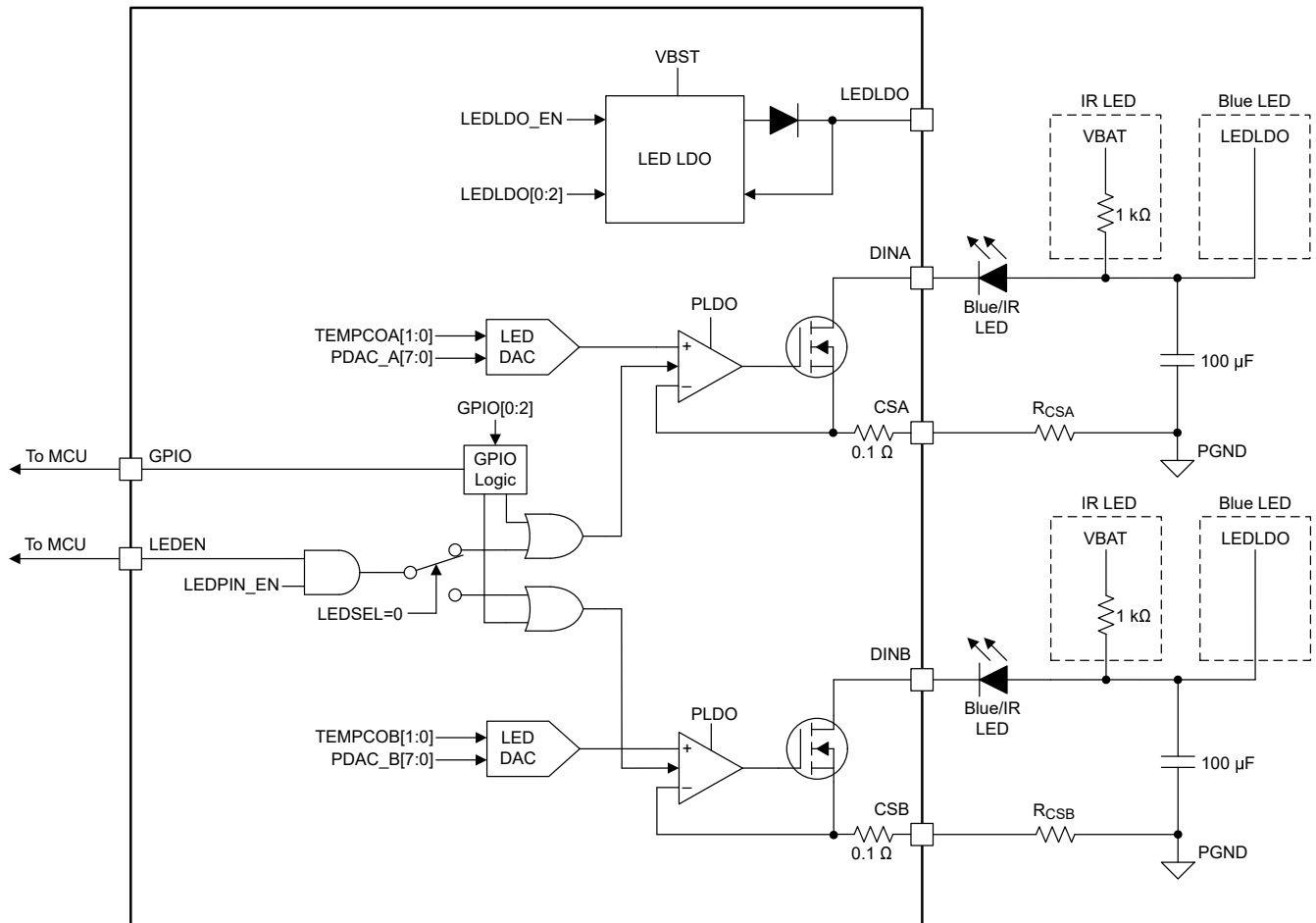


图 8-4. LED Driver Circuit

8.3.4.1 LED Current Sink

The two LED drivers are current regulated, temperature compensated, and adjustable with an 8-bit DAC. When the LED driver is enabled, the CSA voltage is regulated, and the current through the CSA resistor also flows through the LED and the DINA pin. A current sense resistor connects to the CSA pin. The LED driver is enabled with the LEDEN pin and LEDPIN_EN bit. Both the pin and bit must be high for the LED driver to operate. The LEDSEL bit switches which driver the LEDEN signal connects to. The GPIO pin can be configured to enable either LED driver.

The LED driver is temperature compensated to account for reduced LED intensity with increasing temperature. Four temperature compensation settings are available to support a variety of IR and blue LEDs. Temperature compensation is implemented by varying the CSA regulated voltage with temperature, thus the temperature compensation also depends on the CSA resistor. Each temperature compensation setting has a different DAC output at room temperature. To achieve a specific temperature compensation and current, the PDAC, TEMPCO, and CSA resistor must all be adjusted according to the [节 9.2.2.2](#) procedure.

The two LED drivers are interchangeable and support both IR and blue LEDs. The only difference between the two LED drivers is a code CSA_BIN available to improve the LED A driver current accuracy for IR LEDs. CSA_BIN in register 0x00 categorizes CSA voltage for each unit as close to the minimum, below average, above average, or close to the maximum (see [节 8.6](#)). Use CSA_BIN to adjust the DAC and compensate for the variation on the LED A driver's current. After adjusting the DAC, the effective variation is reduced by a factor of 4 for the TEMPCOA = 11, PDAC_A = 00 setting. IR LEDs typically require the TEMPCOA = 11 temperature

compensation setting. Therefore, use the LED driver A for powering IR LEDs. If better accuracy is required, calibrate the LED driver current by connecting the CSA or CSB pin to the microcontroller ADC port, measuring the CSA or CSB voltage, and adjusting PDAC_A or PDAC_B until the required current is achieved.

Ensure that the LED current remains below 550 mA, the pulse width remains below 1 ms, and the duty cycle remains below 1%. There is no protection to prevent operation outside these conditions. Ensure the PDAC and TEMPCO registers are programmed before enabling the LED driver.

8.3.4.2 LED Voltage Supply

Enough voltage must be provided to the LED such that the DINA voltage is at least the dropout voltage ($V_{DINA,DROP}$) above the CSA voltage while the LED driver is enabled. Ensure the DINA voltage does not exceed 11.5 V. Because of the high LED drive currents, a large capacitor connected to the LED anode is required to provide pulsed power to the LED. Any of the internal regulators (PLDO, LEDLDO) or external supply (VBAT, VDC) meeting the voltage requirements can be used to charge the LED capacitor. Depending on the LED forward voltage, the LED anode can be connected to the battery or to the LEDLDO. Do not connect the LED anode directly to VBST in low-power applications, because the boost converter output voltage can exceed the DINA absolute maximum.

The LED LDO clamps the VBST voltage and blocks reverse current with an integrated diode. It is current limited to prevent inrush current caused by charging the large capacitor. The regulation voltage is adjustable in the LEDLDO register. The LED LDO may be operated with VBST below the regulation voltage. In this case, the LEDLDO voltage stabilizes to VBST minus a diode voltage drop.

The LED driver current and rise time can vary by a few millivolts and microseconds across the LED anode supply and VCC voltages. It is recommended to use a consistent LED anode voltage whenever the LED driver is enabled. If the LEDLDO is used to supply the LED anode, ensure the boost converter is enabled to the same voltage whenever the LEDLDO is enabled.

Connect a capacitor with a value between 1 μ F and 100 μ F to the LEDLDO.

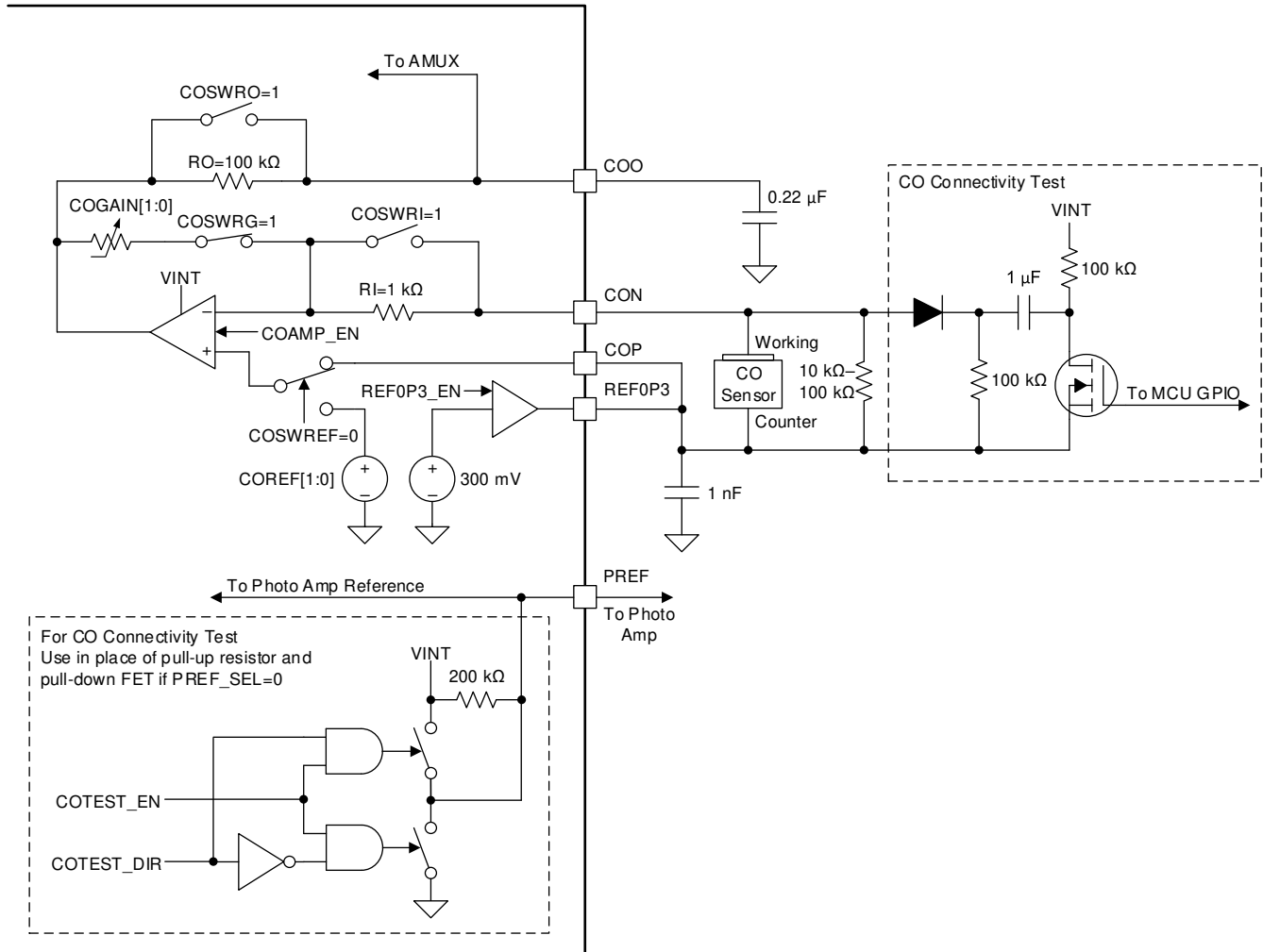


图 8-6. Carbon Monoxide Detection Circuit Referenced to 300mV

The TPS8802 CO AFE connects to an electrochemical CO sensor. The amplifier converts the microamps of sensor current into a voltage readable by an ADC. This is achieved with a low-offset, low-power op-amp with configurable input, gain, and output resistors.

8.3.5.1 CO Transimpedance Amplifier

The CO transimpedance amplifier is a low-offset, low-power op-amp with integrated input, gain, and output resistors. Each of these resistors can be disconnected using the COSW register bits if using external resistors. The input resistor limits amplifier current during a CO sensor connectivity test. The gain resistor amplifies the CO sensor signal. Adjust the gain resistor by changing the COGAIN register bits. Use the output resistor with an external capacitor to filter the CO amplifier output signal.

The CO amplifier has two integrated references. A programmable 1.25-mV to 5-mV reference COREF is internally connected to the op-amp positive terminal. A 300-mV reference is connected to the REF0P3 pin. When the millivolt reference is used, the CO sensor must be connected to GND. The millivolt reference is amplified to offset the amplifier output above GND. When the 300 mV reference is used, the reference offsets the CO amplifier output by 300 mV. In general, either reference can be used. The 300-mV reference offers better DC accuracy at the cost of extra power consumption. The 300 mV reference is generated with a reference and op-amp buffer for high precision. The REF0P3 pin must connect to a 1 nF capacitor for stability if it is enabled. The buffer is designed to source and sink small currents as required by the CO amplifier. The 300 mV reference and the 1.25 mV to 5mV reference cannot be enabled simultaneously.

A resistor connected in parallel with the CO sensor prevents charge from accumulating across its terminals. The output of the CO amplifier is connected to the COO pin for continuous monitoring and the AMUX for periodic sampling.

8.3.5.2 CO Connectivity Test

The built-in CO connectivity test function connects to the PREF pin and is available when the photo amplifier is not referenced to PREF. The COTEST_EN and COTEST_DIR register bits program a pull-up and pull-down switch on PREF. A 200 k Ω pull-up resistor charges the 1 μ F capacitor when the CO test is not in use. When PREF is pulled low, charge is injected into the amplifier and the output pulse shape can be used to determine if the sensor is connected. An external MOSFET and pull-up resistor achieves the same function as the internal COTEST circuitry.

8.3.6 Boost Converter

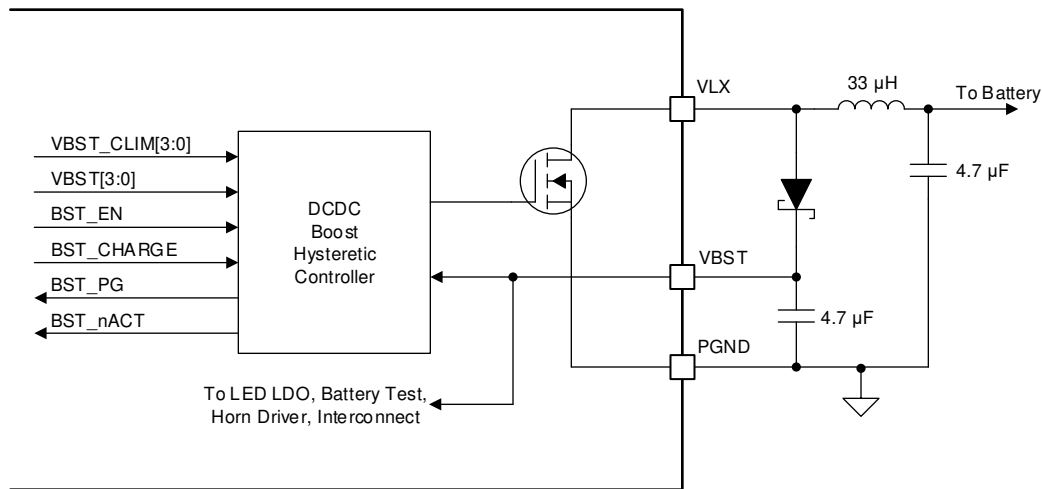


图 8-7. DC to DC Hysteretic Boost Circuit

The boost converter operates with a wide range of input and output voltages to support multiple battery configurations and driver voltages. The boost converter output VBST is internally connected to the LED LDO, interconnect driver, horn driver, and battery test load, and may be externally connected to VCC. The boost converter has a power-good register bit BST_PG to notify the MCU when the boost converter is above 95% of the target voltage. The BST_PG signal is deglitched for 200 μ s to prevent load transients from causing a false indication. If the BST_PG signal is low after 10 ms of enabling the boost or changing the VBST setting, the BST_ERR signal latches high. The BST_PG signal reads low if the boost converter is disabled.

The boost converter is enabled if any of the following conditions are met:

- BST_EN = 1 or BST_CHARGE=1, except if SLP_BST = 1 and SLP_EN = 1
- VCLOW_BST = 1 and the deglitched VCLOW comparator trips
- Device is in MCULDO_ERR state

The SLP_BST signal disables the boost while the device is in sleep mode if the boost is enabled with BST_EN. The BST_CHARGE register bit enables the boost converter until the BST_PG signal is high, at which point BST_CHARGE resets to 0 and the boost converter is disabled. VCLOW_BST enables the boost if the deglitched VCLOW comparator trips. MCULDO_ERR state also enables the boost converter.

A specific I²C command sequence must be used when enabling the boost converter and disabling the photo amplifier. Do not enable the boost converter (changing BST_EN from 0 to 1) and disable the photo input amplifier (changing PAMP_EN from 1 to 0) in the same I²C command. Use either of the following I²C command sequences to enable the boost converter and disable the photo input amplifier:

- Write BST_EN=1 and PAMP_EN=1, then write BST_EN=1 and PAMP_EN=0
- Write BST_EN=0 and PAMP_EN=0, then write BST_EN=1 and PAMP_EN=0

8.3.6.1 Boost Hysteretic Control

The hysteretic control guarantees stability across input and output voltages and has a fast transient response. When the VBST voltage is below its target (as programmed in the VBOOST register), a charging cycle initiates by enabling the VLX switch until the current through the inductor exceeds the programmable inductor peak current setting. After the peak current is reached, the VLX switch is disabled and the inductor charges the VBST output capacitor. The charging cycle completes when the inductor current reaches zero, and a new cycle initiates when VBST drops again. Because of the hysteretic control scheme, the average output voltage varies depending on the input voltage, inductor peak current, inductance, output capacitor, output voltage, and output load.

When the VBST voltage is above the boost regulation voltage, the boost does not switch. In a battery backup system, the battery draws no power if the DC supply is providing a VBST voltage above the boost regulation voltage. The boost starts switching if the DC supply drops, drawing power from the battery to regulate VBST. A timer, BST_nACT, monitors the time that the boost is not switching to notify the MCU if the boost is inactive. This timer is programmable from 100 μ s to 100 ms. This timer can be used to determine if the battery voltage is higher than the regulation voltage or if an DC supply is connected.

The default inductor peak current is 500 mA. This sets the boost converter to provide maximum output current. After the TPS8802 is powered, the peak current can be adjusted using the I²C interface to change the boost switching frequency or to limit the battery current. The switching frequency is inversely proportional to the square of the current limit. For example, changing the current limit from 500 mA to 50 mA causes the frequency to increase by a factor of 100. The peak current determines how much current the boost converter can output. [方程式 1](#) calculates the maximum boost output current.

$$I_{OUT(max)} = \frac{\eta \times V_{BAT} \times I_{PEAK}}{2 \times V_{BST}} \quad (1)$$

Typical boost efficiency is shown in [图 9-5](#). If the boost output current draw exceeds the maximum, the boost voltage drops until the converter can supply the output current draw.

8.3.6.2 Boost Soft Start

When the boost converter is enabled and the VBST voltage is below 3 V, the peak inductor current is automatically lowered to reduce inrush current. As a result, the boost converter cannot deliver full output current while the VBST voltage is low. For the 2.7-V boost setting, the inductor current is released to the register value when BST_PG = 1. Maintain the VBST load current below 5 mA during the soft-start period.

8.3.7 Interconnect Driver

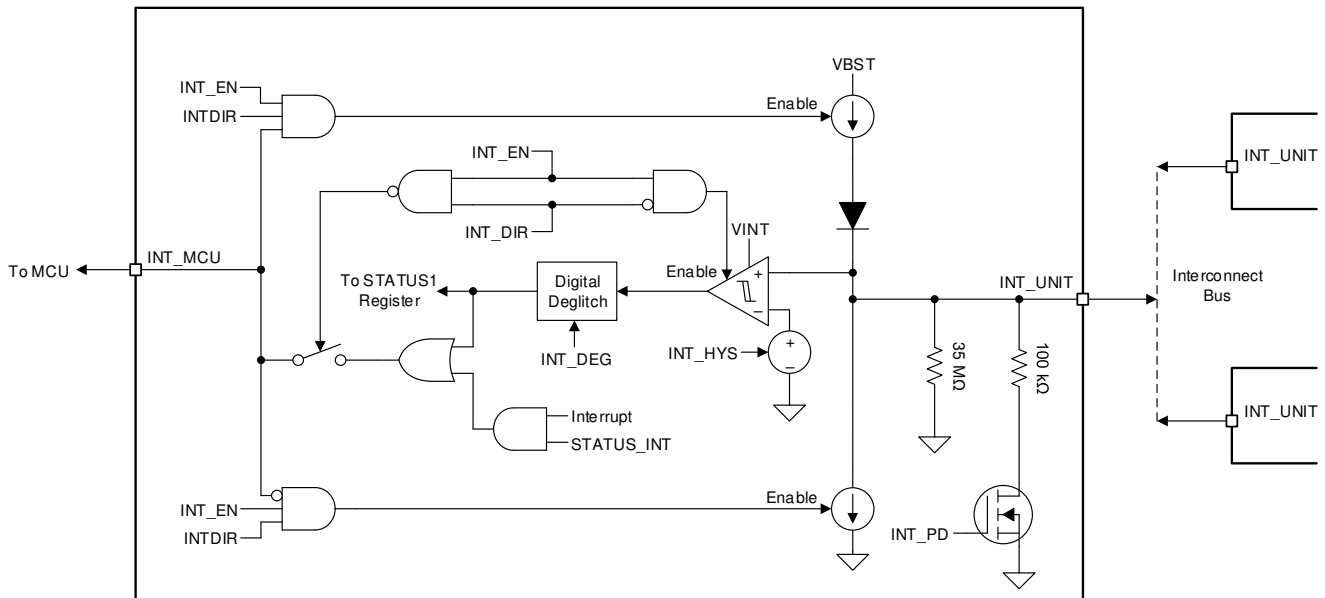


图 8-8. Interconnect Driver and Receiver

In mains-wired smoke alarm systems, the alarms can alert each other of smoke conditions with a wired interconnect bus. The TPS8802 has a driver and comparator to interface with the interconnect bus. The driver pulls the bus high when smoke is detected and low when smoke is cleared. The driver is current limited to handle short circuit conditions, and has a diode on the high side driver to prevent the bus from driving VBST. The hysteresis comparator senses when the bus is pulled high, filters the signal with a digital deglitch, and outputs the result to the INT_MCU pin and STATUS1 register. The comparator output is synchronized with the 32 kHz clock. The hysteresis has two settings and the deglitch is programmable from 0 ms to 20 ms. A 35-M Ω resistor prevents the INT_UNIT pin from floating, and a switchable 100-k Ω resistor pulls down the bus to prevent leakage from causing a false alarm. When the comparator outputs a high signal through the deglitch filter, the INT_UNIT register bit is latched high in the STATUS1 register.

The INT_MCU pin has the additional function to output status interrupt signals. The STATUS_INT bit in the MASK register enables interrupt signals to output through the INT_MCU pin. When the interconnect driver is enabled, the interrupt signal output is disconnected to allow the microcontroller to drive the INT_MCU pin.

8.3.8 Piezoelectric Horn Driver

The horn driver is designed to drive two types of piezo horns: three-terminal self-resonant piezos and two-terminal piezos. The HORN_SEL bit configures the horn driver for the three-terminal or two-terminal operation. During operation, 120-k Ω pulldown resistors discharge any residual charge on the piezo element. Because VBST powers the horn driver, the loudness of the horn can be adjusted by changing the VBST voltage with the VBST register bits.

8.3.8.1 Three-Terminal Piezo

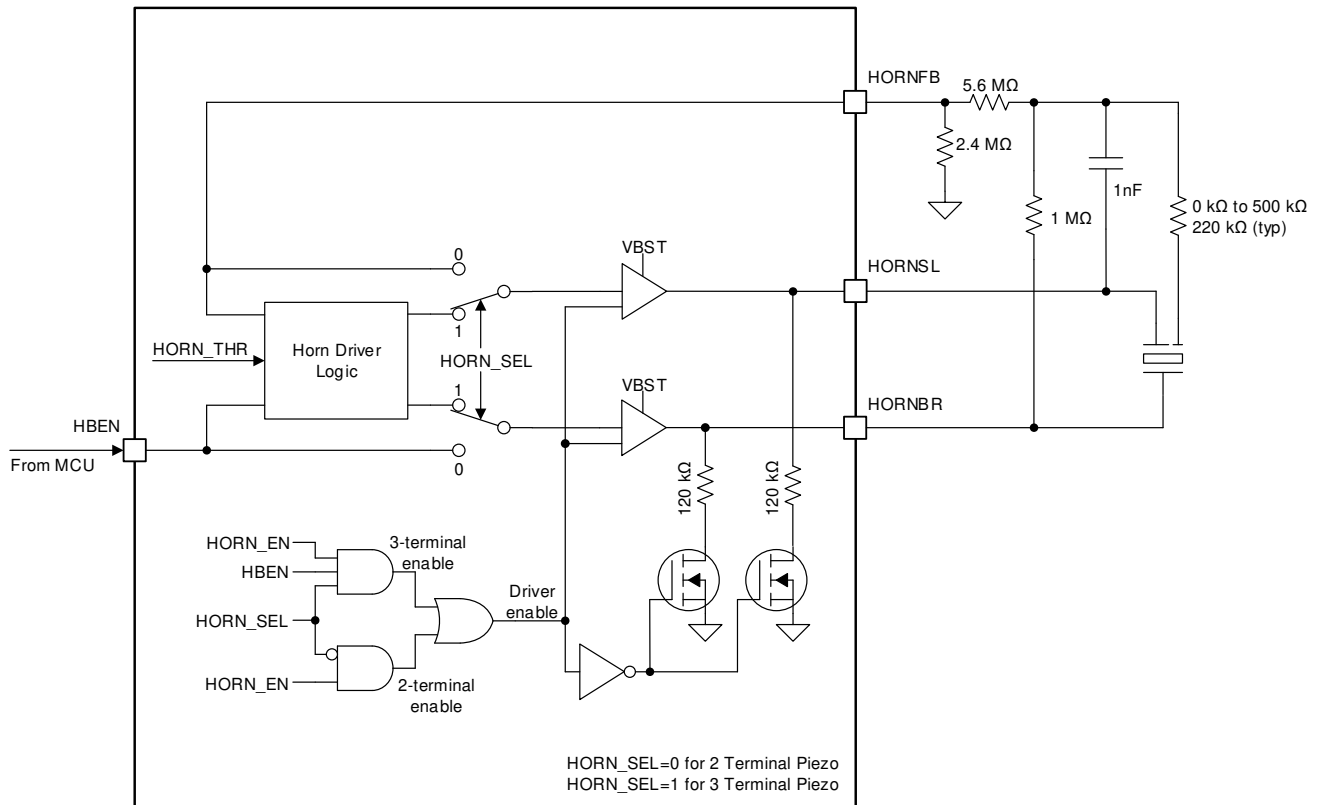


图 8-9. Three-Terminal Piezoelectric Horn Driver Circuit

In the three-terminal mode, the piezo silver and brass terminals connect directly to the HORNSL and HORNBR pins, and the feedback terminal connects through a resistor-capacitor network to the HORNFB pin. The driver is enabled and begins oscillating when the HORN_EN register bit and HBEN pin are set high. Adjust the value of the resistor connected to the piezo feedback terminal to tune the oscillation frequency. Trial and error is required to select this resistance. After the driver achieves resonant oscillation, the duty cycle of the HORNSL and HORNBR outputs can be adjusted using the HORN_THR bits to maximize the loudness. It is recommended to try each HORN_THR value and select the one that operates the horn closest to 50% duty cycle.

8.3.10 AMUX

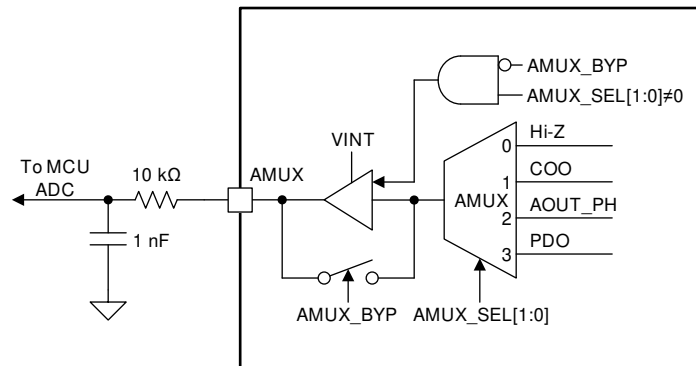


图 8-11. Analog Multiplexer Circuit

The AMUX switch and buffer are used to connect the various TPS8802 amplifier outputs to a single ADC. The unity-gain amplifier improves the drive strength and fidelity of the analog signals when connected to an ADC. A 330 pF to 1 nF capacitor must be connected to the AMUX pin to stabilize its output. The 10-kΩ resistor filters high-frequency noise in the analog signal. Using a 10-kΩ resistor and 1-nF capacitor reduces noise levels in the photo amplifier signal. The buffer has the option of being bypassed to remove the added offset introduced by the unity-gain amplifier. Because the AMUX requires the bias block (see 节 8.3.11), bypassing the buffer does not eliminate the AMUX current consumption.

8.3.11 Analog Bias Block and 8 MHz Oscillator

A central analog bias block connects to many of the amplifiers, drivers, and regulators. This block is enabled when any of its connected blocks are enabled. Similarly, an internal 8-MHz oscillator is enabled when the boost converter or photo input amplifier is enabled. 表 8-2 lists the conditions when the bias block and 8-MHz oscillator are enabled. The bias block and 8-MHz oscillator consume current in addition to the connecting blocks whenever they are enabled. Because the specified current consumption of each block does not include the bias block or the 8-MHz oscillator, add the bias block and 8-MHz oscillator currents when calculating system power consumption. Typical values of the bias block and 8-MHz oscillator current are shown in 节 6.6.

表 8-2. Conditions for Enabling the Bias Block and 8 MHz Oscillator

BLOCK	CONDITION	BIAS ENABLED?	8-MHZ OSC ENABLED?
Photo input amplifier	PAMP_EN = 1	Yes	Yes
Boost converter	BST_EN = 1	Yes	Yes
AMUX buffer	AMUX_SEL[0:2] ≠ 000	Yes	No
Horn driver	HORN_EN = 1	Yes	No
LED LDO	LEDLDO_EN = 1	Yes	No
Photo gain amplifier	PGAIN_EN = 1	Yes	No
Battery test load	BATTEST_EN = 1	Yes	No
LED driver	LEDEN = VMCU and LEDPIN_EN = 1	Yes	No
Temperature monitor	OTS_EN = 1	Yes	No

8.3.12 Interrupt Signal Alerts

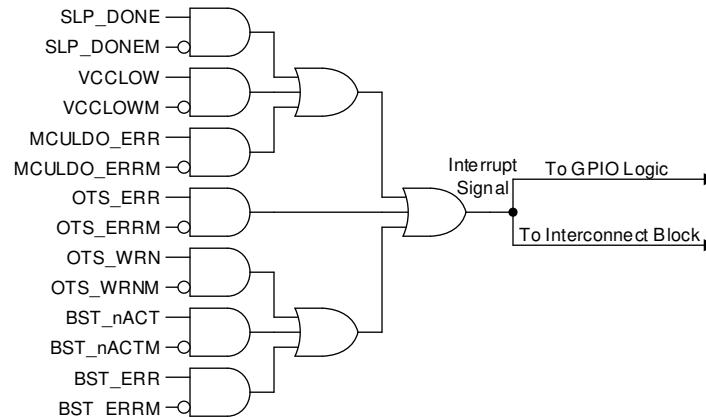


图 8-12. Interrupt Signal Alert Logic

Configurable interrupt signals notify the MCU when a system anomaly occurs. The interrupt signal indicates the STATUS1 register, which has bits that latch high when reaching various condition limits such as temperature or voltage. Each of the bits in the STATUS1 register can be independently configured to send an interrupt signal by setting the MASK register bit corresponding to each STATUS1 bit. The GPIO bits must be set to 0x2 to output interrupt signals through the GPIO pin, and the STATUS_INT bit must be set to 1 to output interrupt signals through the INT_MCU pin. By connecting the GPIO or INT_MCU pin to the microcontroller, the MCU can be immediately notified when a STATUS1 bit changes instead of having to repeatedly read the STATUS1 register. After the device sends the interrupt signal, the signal remains high until the STATUS1 register is read, at which point the fault clears if the error condition is removed.

Under some conditions the INT_MCU pin has other functions. If INT_EN = 1 and INT_DIR = 0, the INT_MCU pin also outputs the INT_UNIT pin status. If INT_EN = 1 and INT_DIR = 1, the INT_MCU pin becomes an input to control the INT_UNIT driver. See [节 8.3.7](#) for more information.

8.4 Device Functional Modes

8.4.1 Sleep Mode

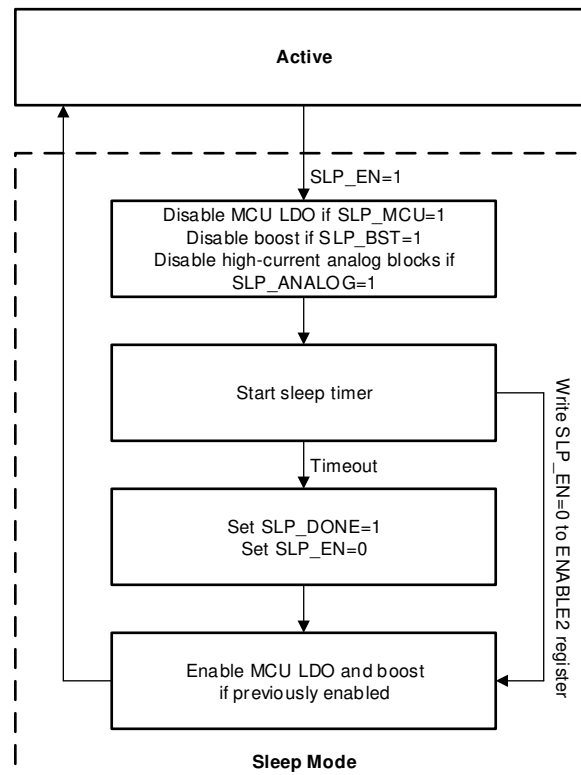


图 8-13. Sleep Mode State Diagram

The device integrates a sleep timer to manage critical analog and regulator blocks independent of the external microcontroller. When sleep mode is enabled, the timer starts and various blocks (MCU LDO, boost, or drivers and amplifiers) are disabled depending on the CONFIG1 register configuration. After the sleep timer finishes, **SLP_EN** is reset and the **SLP_DONE** bit in STATUS1 register is latched high and can be configured to output through the GPIO or INT_MCU pins. This notifies the microcontroller that the sleep timer is finished and sleep mode is exited. Alternatively, sleep mode is exited by writing zero to the **SLP_EN** bit. Writing zero to **SLP_EN** does not trigger the **SLP_DONE** bit in the STATUS1 register. 图 8-14 shows the sleep mode state diagram.

Sleep mode reduces power consumption in three ways:

- by quickly disabling analog blocks
- by powering off the boost and MCU LDO during sleep mode
- by allowing the MCU to enter its lowest power idle state

Every I²C transaction takes time and consumes a small amount of power. The **SLP_ANALOG** bit configures sleep mode to disable high-power amplifiers and drivers simultaneously when entering sleep mode. This functionality can save several I²C transactions and reduces time that the amplifiers and drivers are idly enabled.

The device may require the boost converter and MCU LDO while the microcontroller is performing sensing and testing operations, but may not require the boost and MCU LDO while the microcontroller is in its idle state. **SLP_BST** and **SLP_MCU** disable the boost converter and MCU LDO during sleep mode. If the boost converter and MCU LDO were previously enabled, they are re-enabled when sleep mode is exited. This process reduces system current consumption caused by the MCU LDO and boost converter while preventing a system brown-out if the MCU loses power, because the exit of sleep mode returns power to the MCU.

During sleep mode operation, the MCU can enter its lowest power idle state and monitor a GPIO pin for the **SLP_DONE** interrupt signal. This monitoring allows the MCU clocks to be disabled as the sleep timer signals the

MCU to wake up after a precise programmed time. The amount of time is programmable from 1 ms to 65535 ms in 1 ms intervals in the SLPTMR1 and SLPTMR2 registers.

The device is nearly fully functional in sleep mode. The microcontroller can access all registers and configure all blocks. Only three functions are disabled in sleep mode:

- boost converter inactivity timer
- the MCULDO fault state
- over-temperature shutdown fault state

The MCULDO undervoltage and system over-temperature monitors remain enabled if the MCU LDO and OTS monitors are enabled, so as soon as the device exits sleep mode, the system enters the fault state that corresponds to any detected fault.

8.4.2 Fault States

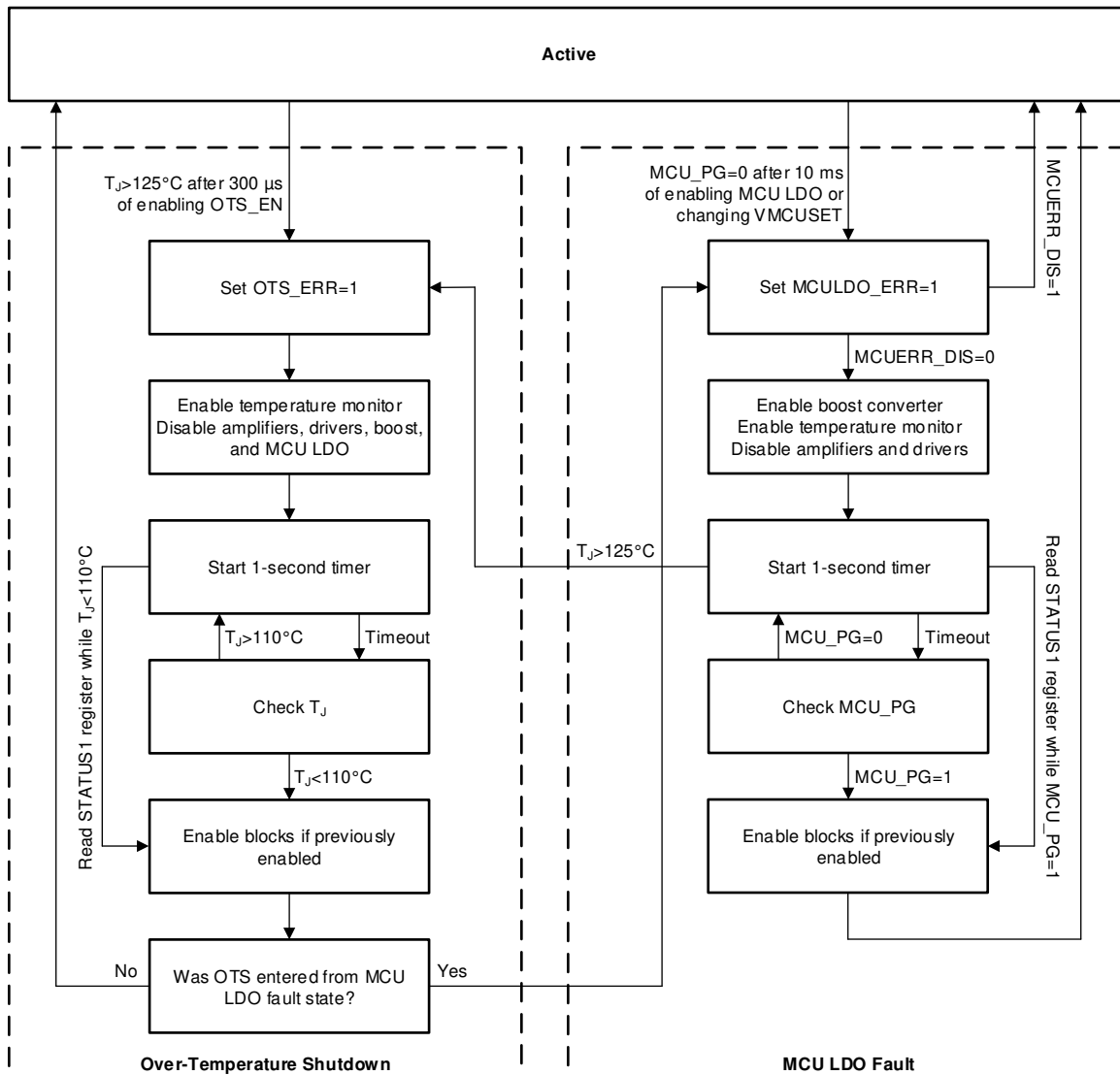


图 8-14. Fault States Diagram

The TPS8802 device uses several monitors to alert the MCU when system irregularities occur. In addition to alerting the MCU, two monitors cause the device to enter protective fault states:

- MCULDO under-voltage

- system over-temperature

The fault states reduce risk of damage and brown-outs to the system in the event of short circuits or other power errors.

8.4.2.1 MCU LDO Fault

The MCU LDO has an undervoltage monitor to notify the MCU if the LDO falls out of regulation. This monitor is enabled any time the MCU LDO is enabled and its status is in the MCU_PG register bit. A 125- μ s deglitch time rejects load and line transient spikes that may briefly drop the MCU LDO voltage below the under-voltage threshold. If MCU_PG is low while the MCU LDO is enabled and it has been more than 10 ms since the LDO was enabled or changed voltage, the MCU_ERR register bit latches high. When the MCU_ERR bit is set high and the MCUERR_DIS bit is low, the MCU LDO fault state is entered.

Two scenarios can cause the LDO to drop voltage:

- input voltage (PLDO) drops
- load current exceeds the LDO current limit

If the input voltage drops, it can be because the boost converter is disabled. If the load current exceeds the LDO current limit, the die temperature could exceed safe limits. The MCU fault state automatically enables the boost converter and temperature monitor (OTS_EN) to handle both of these cases. The device disables all analog blocks to prevent further issues caused by an underpowered MCU.

There are two methods to exit the fault state. Every second in the fault state, the MCU_PG register bit is automatically read. If high, the fault state is exited. The MCU_ERR bit remains high until the STATUS1 register is read. Alternatively, if the STATUS1 register is read and MCU_PG is high, the fault state is exited. When the device exits the MCU_ERR fault state, the device re-enables all blocks that were enabled before the fault state occurred.

If an over-temperature fault occurs while in the MCU LDO fault state, the device enters the over-temperature fault state. The over-temperature fault state disables the MCU LDO and boost converter in addition to the blocks that are disabled by the MCU LDO fault state. After the device exits the over-temperature fault state, it immediately re-enters the MCU LDO fault state to confirm the MCU LDO status.

8.4.2.2 Over-Temperature Fault

An over-temperature shutdown (OTS) fault occurs if OTS_EN = 1 and the die temperature exceeds 125°C. The fault is masked for 300 μ s after setting OTS_EN = 1. OTS_EN must be enabled for at least 300 μ s in order to determine if the die has overheated. After the device detects an over-temperature condition, it disables all drivers, amplifiers, and regulators and sets OTS_ERR to 1. This action prevents additional temperature stress caused by a short circuit.

Similar to the MCU LDO fault, the device exits the OTS fault state with two methods:

- The device checks the die temperature once every second. If the temperature is below 110°C, the device exits the fault state.
- Reading the STATUS1 register with the die temperature below 110°C exits the fault state.

When the device exits the OTS fault state, it re-enables all blocks that were enabled before the OTS fault occurred.

8.5 Programming

The TPS8802 serial interface follows the I²C industry standard. The device supports both standard and fast mode, and it supports auto-increment for fast reading and writing of sequential registers. A 33-k Ω pullup resistor connecting the SDA and SCL pins to VMCU is recommended for fast mode operation. The VMCU voltage determines the logic level for I²C communication. The CSEL pin selects the device address. When CSEL is pulled to GND, the device address is 0x3F. When CSEL is pulled to VMCU, the device address is 0x2A.

8.6 Register Maps

表 8-3 lists the memory-mapped registers for the Device registers. All register offset addresses not listed in 表 8-3 should be considered as reserved locations and the register contents should not be modified.

表 8-3. Device Registers

Offset	Acronym	Register Name	Section
0h	REVID	Device Information	Go
1h	STATUS1	Status 1	Go
2h	STATUS2	Status 2	Go
3h	MASK	Interrupt Mask	Go
4h	CONFIG1	Config 1	Go
5h	CONFIG2	Config 2	Go
6h	ENABLE1	Enable 1	Go
7h	ENABLE2	Enable 2	Go
8h	CONTROL	Control	Go
9h	SLPTMR1	Sleep Timer 1	Go
Ah	SLPTMR2	Sleep Timer 2	Go
Bh	GPIO_AMUX	GPIO and AMUX	Go
Ch	CO_BATTEST	CO and Battery Test	Go
Dh	CO	CO Amplifier	Go
Eh	VBOOST	Boost Converter	Go
Fh	LEDLDO	LED LDO	Go
10h	PH_CTRL	Photo Amplifier	Go
11h	LED_DAC_A	LED DAC A	Go
12h	LED_DAC_B	LED DAC B	Go

Complex bit access types are encoded to fit into small table cells. 表 8-4 shows the codes that are used for access types in this section.

表 8-4. Device Access Type Codes

Access Type	Code	Description
Read Type		
R	R	Read
RC	R C	Read to Clear
Write Type		
W	W	Write
Reset or Default Value		
-n		Value after reset or the default value

8.6.1 REVID Register (Offset = 0h) [reset = 0h]

REVID is shown in 表 8-5.

Return to [Summary Table](#).

表 8-5. REVID Register Field Descriptions

Bit	Field	Type	Reset	Description
7-6	CSA_BIN	R	0h	CSA voltage bin for TEMP_COA=11, PDAC_A=00 setting 0h = CSA voltage between specified minimum and typical, closer to minimum 1h = CSA voltage between specified minimum and typical, closer to typical 2h = CSA voltage between specified maximum and typical, closer to typical 3h = CSA voltage between specified maximum and typical, closer to maximum
5-0	RESERVED	R	0h	Reserved

8.6.2 STATUS1 Register (Offset = 1h) [reset = 0h]

STATUS1 is shown in [表 8-6](#).

Return to [Summary Table](#).

表 8-6. STATUS1 Register Field Descriptions

Bit	Field	Type	Reset	Description
7	SLP_DONE	RC	0h	Sleep timer wakeup flag 0h = device has not transitioned from sleep to active state via timer 1h = device transitioned from sleep to active state via timer
6	VCCLOW	RC	0h	VCC low warning 0h = no VCCLOW error has occurred 1h = VCC below V_VCCLOW,FALL threshold and VCCLOW_DIS=1 for VCCLOW deglitch time. VCCLOW is masked for 1 ms after VCCLOW_DIS is set to 0.
5	MCULDO_ERR	RC	0h	MCU LDO power good error 0h = no MCULDO error has occurred 1h = MCU_PG=0 and MCU_EN=1 for TMCULDO,PG. MCULDO_ERR is masked for TMCULDO,MASK after VMCUSET or MCU_DIS has changed
4	OTS_ERR	RC	0h	Thermal shutdown error 0h = no thermal shutdown error has occurred 1h = junction temperature has exceeded T_SHUTDOWN
3	OTS_WRN	RC	0h	Thermal warning flag 0h = no thermal warning has occurred 1h = junction temperature has exceeded T_WARNING
2	BST_nACT	RC	0h	Boost activity monitor 0h = boost converter is actively switching or BST_EN=0 or SLP_EN=1 1h = boost converter has not switched for T_BST,ACT, BST_EN=1 and SLP_EN=0
1	BST_ERR	RC	0h	Boost converter power good error 0h = no boost converter error has occurred 1h = BST_PG=0 and BST_EN=1 for T_BST,PG. BST_ERR is masked for T_BST,MASK after VBST or BST_EN has changed
0	INT_UNIT	RC	0h	INT_UNIT pin value 0h = INT_UNIT is below VINT_UNIT,ILO or INT_DIR=1 1h = INT_UNIT is high and INT_DIR=0

8.6.3 STATUS2 Register (Offset = 2h) [reset = 0h]

STATUS2 is shown in [表 8-7](#).

Return to [Summary Table](#).

表 8-7. STATUS2 Register Field Descriptions

Bit	Field	Type	Reset	Description
7-2	RESERVED	R	0h	Reserved
1	MCU_PG	R	0h	MCU LDO power good indicator 0h = MCU LDO is below power good threshold or MCU_DIS=1 1h = MCU LDO is above power good threshold and MCU_DIS=0
0	BST_PG	R	0h	Boost power good indicator 0h = VBST is below power good threshold or BST_EN=0 1h = VBST is above power good threshold and BST_EN=1

8.6.4 MASK Register (Offset = 3h) [reset = 0h]

MASK is shown in [表 8-8](#).

Return to [Summary Table](#).

表 8-8. MASK Register Field Descriptions

Bit	Field	Type	Reset	Description
7	SLP_DONEM	R/W	0h	Sleep timer wakeup interrupt mask 0h = interrupt on device transition from sleep to active state 1h = no interrupt on device transition from sleep to active state
6	VCCLOWM	R/W	0h	V _{CC} low warning interrupt mask 0h = interrupt on VCC low 1h = no interrupt on VCC low
5	MCULDO_ERRM	R/W	0h	MCU LDO power good error interrupt mask 0h = interrupt on MCULDO power good error 1h = no interrupt on MCULDO power good error
4	OTS_ERRM	R/W	0h	Thermal shutdown error interrupt mask 0h = interrupt on thermal shutdown error 1h = no interrupt on thermal shutdown error
3	OTS_WRNM	R/W	0h	Thermal warning flag interrupt mask 0h = interrupt on thermal warning 1h = no interrupt on thermal warning
2	BST_nACTM	R/W	0h	Boost activity monitor interrupt mask 0h = interrupt if boost has not switched for T_BSTACT 1h = no interrupt if boost has not switched for T_BSTACT
1	BST_ERRM	R/W	0h	Boost converter power good error interrupt mask 0h = interrupt on BST_PG transition from 1 to 0 while BST_EN=1 1h = no interrupt on BST_PG transition from 1 to 0 while BST_EN=1
0	STATUS_INT	R/W	0h	Status interrupt on the INT_MCU pin 0h = disable 1h = INT_MCU outputs high if any unmasked STATUS1 flags

8.6.5 CONFIG1 Register (Offset = 4h) [reset = 20h]

CONFIG1 is shown in [表 8-9](#).

Return to [Summary Table](#).

表 8-9. CONFIG1 Register Field Descriptions

Bit	Field	Type	Reset	Description
7-6	INT_DEG	R/W	0h	INT_UNIT deglitch control 0h = none 1h = 125us 2h = 1ms 3h = 20ms
5	INT_PD	R/W	1h	INT_UNIT pulldown resistor enable 0h = >1MOhm pulldown resistor on INT_UNIT 1h = 100k pulldown resistor on INT_UNIT
4-3	VMCUSET	R/W	0h	MCU LDO voltage. Default value is set by MCUSEL on power-up. 0h = 1.5V 1h = 1.8V 2h = 2.5V 3h = 3.3V
2	SLP_BST	R/W	0h	Disable boost converter in sleep mode 0h = boost converter unchanged in sleep mode 1h = boost converter disabled when SLP_EN is set to 1. Boost re-enabled upon exiting sleep mode if previously enabled
1	SLP_ANALOG	R/W	0h	Disable analog blocks in sleep mode. Set AMUX_SEL=000, BATTEST_EN=0, HORN_EN=0, INT_EN=0, LEDLDO_EN=0, PAMP_EN=0, PGAIN_EN=0 when SLP_EN is set to 1. 0h = analog blocks unchanged in sleep mode 1h = analog blocks shut off in sleep mode
0	SLP_MCU	R/W	0h	Disable MCULDO in sleep mode 0h = MCULDO unchanged in sleep mode 1h = MCULDO disabled in sleep mode. MCULDO re-enabled upon exiting sleep mode if previously enabled

8.6.6 CONFIG2 Register (Offset = 5h) [reset = 2h]

CONFIG2 is shown in 表 8-10.

Return to [Summary Table](#).

表 8-10. CONFIG2 Register Field Descriptions

Bit	Field	Type	Reset	Description
7	RESERVED	R	0h	Reserved
6	RESERVED	R	0h	Reserved
5	INT_HYS	R/W	0h	Interconnect comparator hysteresis 0h = 1.2V hysteresis 1h = 0.1V hysteresis
4	HORN_SEL	R/W	0h	Horn block piezo select 0h = 2-terminal piezo 1h = 3-terminal piezo
3-2	HORN_THR	R/W	0h	Horn driver setting for three-terminal piezo duty cycle tuning 0h = -6% 1h = -3% 2h = Nominal 3h = +3%

表 8-10. CONFIG2 Register Field Descriptions (continued)

Bit	Field	Type	Reset	Description
1-0	T_BSTACT	R/W	2h	Boost activity monitor alert time. BST_nACT flag goes high if the boost converter has not switched for the set amount of time 0h = 100us 1h = 1ms 2h = 10ms 3h = 100ms

8.6.7 ENABLE1 Register (Offset = 6h) [reset = 10h]

ENABLE1 is shown in [表 8-11](#).

Return to [Summary Table](#).

表 8-11. ENABLE1 Register Field Descriptions

Bit	Field	Type	Reset	Description
7	RESERVED	R	0h	Reserved
6	BATTEST_EN	R/W	0h	Battery test enable 0h = disabled 1h = enabled
5	INT_EN	R/W	0h	Control of interconnect interface 0h = disable 1h = enable
4	BST_EN	R/W	1h	Boost converter control. See 节 8.3.6 for the required I ² C command sequence when enabling the boost converter and disabling the photo input amplifier. 0h = disabled 1h = boost converter enabled
3	PAMP_EN	R/W	0h	Photo input amplifier control 0h = amplifier disabled 1h = amplifier enabled
2	PGAIN_EN	R/W	0h	Photo gain amplifier control 0h = amplifier disabled 1h = amplifier enabled
1	RESERVED	R	0h	Reserved
0	LEDLDO_EN	R/W	0h	LED LDO control 0h = disabled 1h = enabled

8.6.8 ENABLE2 Register (Offset = 7h) [reset = 0h]

ENABLE2 is shown in [表 8-12](#).

Return to [Summary Table](#).

表 8-12. ENABLE2 Register Field Descriptions

Bit	Field	Type	Reset	Description
7	LEDSEL	R/W	0h	LED input select 0h = LEDENA 1h = LEDENB
6	BST_CHARGE	R/W	0h	Enable boost while BST_CHARGE=1. When BST_PG=1, set BST_CHARGE=0. 0h = boost controlled by BST_EN 1h = Boost is enabled until BST_PG=1. Boost remains enabled if BST_EN=1.

表 8-12. ENABLE2 Register Field Descriptions (continued)

Bit	Field	Type	Reset	Description
5-4	RESERVED	R	0h	Reserved
3	INT_DIR	R/W	0h	Interconnect direction control 0h = from INT_UNIT to INT_MCU 1h = from INT_MCU to INT_UNIT
2	LEDPIN_EN	R/W	0h	LEDEN pin enable 0h = LEDEN pin does not enable LED block 1h = LEDEN pin enables LED block
1	HORN_EN	R/W	0h	Horn block enable 0h = Horn block disabled 1h = HBEN enables horn block
0	SLP_EN	R/W	0h	Sleep timer enable 0h = sleep timer disabled, sleep mode is exited 1h = sleep timer initialized - SLP_DONE is set to 1 and SLP_EN is set to 0 after sleep timer expires

8.6.9 CONTROL Register (Offset = 8h) [reset = 0h]

CONTROL is shown in 表 8-13.

Return to [Summary Table](#).

表 8-13. CONTROL Register Field Descriptions

Bit	Field	Type	Reset	Description
7-6	RESERVED	R	0h	Reserved
5	MCU_DIS	R/W	0h	MCU LDO disable 0h = MCU LDO enabled 1h = MCU LDO disabled
4	VCCLOW_DIS	R/W	0h	VCCLOW brown-out monitor disable 0h = VCCLOW monitor is enabled 1h = VCCLOW monitor is disabled
3	MCUERR_DIS	R/W	0h	MCULDO error mode disable 0h = in case of MCULDO error, FAULT mode is entered 1h = disable entering FAULT mode in case of MCULDO error
2	OTS_EN	R/W	0h	Over-temperature shutdown mode disable 0h = disable entering over-temperature FAULT mode. 1h = in case of over-temperature, FAULT mode is entered and OTS_ERR flag is raised.
1	SOFTRESET	R/W	0h	Set registers to the default value 0h = do not reset registers 1h = reset all registers. SOFTRESET is reset. BST_EN, BST_CHARGE, VBST, VMCUSET bits and STATUS1 register is unchanged.
0	VCCLOW_BST	R/W	0h	VCCLOW boost control 0h = boost controlled by BST_EN 1h = boost enabled if VCCLOW=1 or BST_EN=1

8.6.10 SLPTMR1 Register (Offset = 9h) [reset = 0h]

SLPTMR1 is shown in 表 8-14.

Return to [Summary Table](#).

表 8-14. SLPTMR1 Register Field Descriptions

Bit	Field	Type	Reset	Description
7-0	SLPTMR	R/W	0h	Sleep timer most significant bits. See SLPTMR2 register for details

8.6.11 SLPTMR2 Register (Offset = Ah) [reset = 0h]

SLPTMR2 is shown in [表 8-15](#).

Return to [Summary Table](#).

表 8-15. SLPTMR2 Register Field Descriptions

Bit	Field	Type	Reset	Description
7-0	SLPTMR	R/W	0h	Sleep timer duration. If SLPTMR is changed while SLP_EN=1, the new sleep timer setting will apply the next time SLP_EN is enabled. Sleep timer can be exited early if SLP_EN is written 0. 0000h = Sleep timer is disabled. If SLP_EN=1, then the sleep timer is enabled when SLPTMR is changed. 0001h to FFFFh = 1 ms to 65535 ms

8.6.12 GPIO_AMUX Register (Offset = Bh) [reset = 0h]

GPIO_AMUX is shown in [表 8-16](#).

Return to [Summary Table](#).

表 8-16. GPIO_AMUX Register Field Descriptions

Bit	Field	Type	Reset	Description
7	AMUX_BYP	R/W	0h	Analog multiplexer bypass 0h = analog multiplexer buffer is enabled when AMUX_SEL[1:0] != 000 1h = analog multiplexer buffer is bypassed with a low-resistance switch
6	RESERVED	R	0h	Reserved
5-4	AMUX_SEL	R/W	0h	Analog multiplexer input select 0h = AMUX off 1h = COO 2h = AOUT_PH 3h = PDO
3	RESERVED	R	0h	Reserved
2-0	GPIO	R/W	0h	Multi-purpose digital input and output 0h = Hi-Z 1h = TI Reserved 2h = output low if no status errors, high if any unmasked errors 3h = TI Reserved 4h = GPIO or LEDENA enables LED A 5h = GPIO or LEDENB enables LED B 6h = TI Reserved 7h = GPIO or BATTEST_EN enables battery test

8.6.13 CO_BATTEST Register (Offset = Ch) [reset = 0h]

CO_BATTEST is shown in [表 8-17](#).

Return to [Summary Table](#).

表 8-17. CO_BATTEST Register Field Descriptions

Bit	Field	Type	Reset	Description
7	COSWRO	R/W	0h	CO amplifier output resistor (output of amplifier to COO pin) enable 0h = 0 Ohms 1h = 100 kOhms
6	COSWRG	R/W	0h	CO gain resistor (output of amplifier to inverting input of amplifier) enable 0h = Hi-Z 1h = Resistance set by COGAIN register
5	COSWRI	R/W	0h	CO input resistor (inverting input of amplifier to CON pin) enable 0h = 0 Ohms 1h = 1 kOhms
4	COSWREF	R/W	0h	CO reference switch enable 0h = positive input of amplifier connected to COP 1h = positive input of amplifier connected to 1mV to 5mV COREF
3	RESERVED	R	0h	Reserved
2-0	I_BATTEST	R/W	0h	Battery test current 0h = 10mA 1h = 12mA 2h = 14mA 3h = 16mA 4h = 18mA 5h = 20mA 6h = Reserved 7h = Reserved

8.6.14 CO Register (Offset = Dh) [reset = 0h]

CO is shown in [表 8-18](#).

Return to [Summary Table](#).

表 8-18. CO Register Field Descriptions

Bit	Field	Type	Reset	Description
7	REF0P3_EN	R/W	0h	300mV reference enable 0h = Buffer disabled 1h = Buffer enabled
6-5	COREF	R/W	0h	Reference voltage for CO amplifier 0h = 1.25mV 1h = 2.5mV 2h = 3.75mV 3h = 5mV
4-3	COGAIN	R/W	0h	CO amplifier feedback resistance 0h = 1100 kOhm 1h = 300 kOhm 2h = 500 kOhm 3h = 800 kOhm
2	COTEST_DIR	R/W	0h	CO test output direction 0h = pull-down 1h = pull-up
1	COTEST_EN	R/W	0h	Enable COTEST output on PREF 0h = disabled 1h = enabled

表 8-18. CO Register Field Descriptions (continued)

Bit	Field	Type	Reset	Description
0	COAMP_EN	R/W	0h	CO amplifier control 0h = disabled 1h = enabled

8.6.15 VBOOST Register (Offset = Eh) [reset = F2h]

VBOOST is shown in [表 8-19](#).

Return to [Summary Table](#).

表 8-19. VBOOST Register Field Descriptions

Bit	Field	Type	Reset	Description
7-4	BST_CLIM	R/W	Fh	Boost converter inductor peak current setting 0h = 30mA 1h = 40mA 2h = 50mA 3h = 60mA 4h = 80mA 5h = 100mA 6h = 130mA 7h = 160mA 8h = 200mA 9h = 240mA Ah = 280mA Bh = 320mA Ch = 360mA Dh = 400mA Eh = 450mA Fh = 500mA
3-0	VBST	R/W	2h	Boost converter output voltage setting. Default value is set during power-up based on MCUSEL pin. 0h = 2.7V 1h = 3.8V 2h = 4.7V 3h = 6V 4h = 9V 5h = 10V 6h = 10.5V 7h = 11V 8h = 11.5V 9h = 15V Ah = Reserved Bh = Reserved Ch = Reserved Dh = Reserved Eh = Reserved Fh = Reserved

8.6.16 LEDLDO Register (Offset = Fh) [reset = 0h]

LEDLDO is shown in [表 8-20](#).

Return to [Summary Table](#).

表 8-20. LEDLDO Register Field Descriptions

Bit	Field	Type	Reset	Description
7-4	RESERVED	R	0h	Reserved
3-1	LEDLDO	R/W	0h	LED LDO settings 0h = 7.5V 1h = 8.0V 2h = 8.5V 3h = 9.0V 4h = 9.5V 5h = 10V 6h = Reserved 7h = Reserved
0	RESERVED	R	0h	Reserved

8.6.17 PH_CTRL Register (Offset = 10h) [reset = 0h]

PH_CTRL is shown in 表 8-21.

Return to [Summary Table](#).

表 8-21. PH_CTRL Register Field Descriptions

Bit	Field	Type	Reset	Description
7	RESERVED	R	0h	Reserved
6-5	TEMPCOB	R/W	0h	LED B Temperature Coefficient Setting 0h = 0.347 mV/C 1h = 0.416 mV/C 2h = 0.693 mV/C 3h = 1.040 mV/C
4-3	TEMPCOA	R/W	0h	LED A Temperature Coefficient Setting 0h = 0.347 mV/C 1h = 0.416 mV/C 2h = 0.693 mV/C 3h = 1.040 mV/C
2	PREF_SEL	R/W	0h	Photo Reference setting 0h = Photo gain amplifier referenced to 0mV 1h = Photo gain amplifier and PREF pin connected to 50mV internal reference
1-0	PGAIN	R/W	0h	Photo Gain setting 0h = 5 1h = 11 2h = 20 3h = 35

8.6.18 LED_DAC_A Register (Offset = 11h) [reset = 0h]

LED_DAC_A is shown in 表 8-22.

Return to [Summary Table](#).

表 8-22. LED_DAC_A Register Field Descriptions

Bit	Field	Type	Reset	Description
7-0	PDAC_A	R/W	0h	LED DAC A setting 00h to FFh = 0mV to 300mV

8.6.19 LED_DAC_B Register (Offset = 12h) [reset = 0h]

LED_DAC_B is shown in [表 8-23](#).

Return to [Summary Table](#).

表 8-23. LED_DAC_B Register Field Descriptions

Bit	Field	Type	Reset	Description
7-0	PDAC_B	R/W	0h	LED DAC B setting 00h to FFh = 0mV to 300mV

9 Application and Implementation

备注

以下应用部分中的信息不属于 TI 器件规格的范围，TI 不担保其准确性和完整性。TI 的客户应负责确定器件是否适用于其应用。客户应验证并测试其设计，以确保系统功能。

9.1 Application Information

The TPS8802 supports a variety of smoke alarm platforms:

- single-wave or dual-wave photoelectric smoke and CO detection
- 3-V battery, 9-V battery, or AC/DC supply with battery backup
- tone or voice alarm

9.2 Typical Application

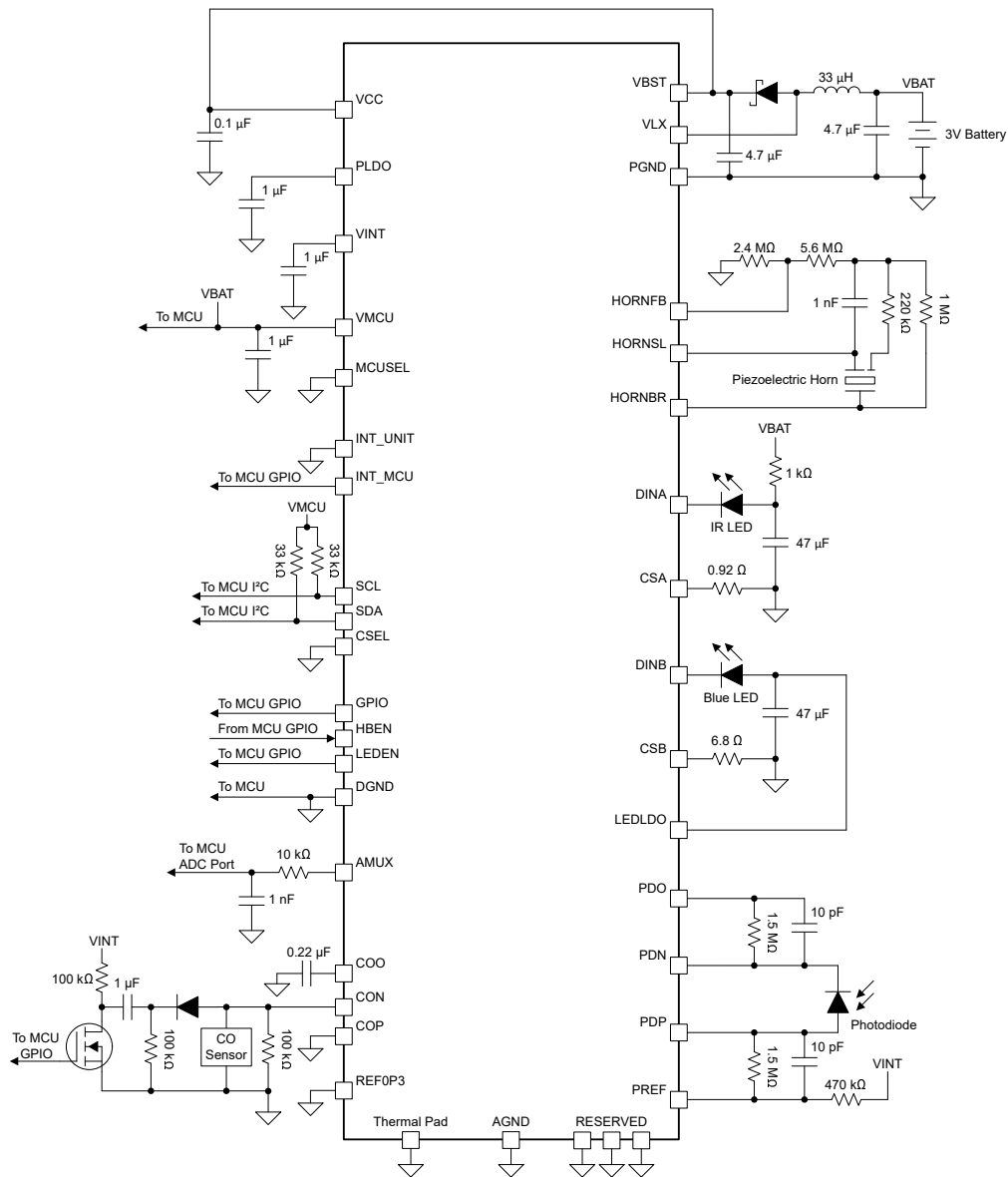


图 9-1. Dual-Wave Photoelectric Smoke and CO Alarm with Backup Battery

9.2.1 Design Requirements

In this example, a smoke alarm requires the following:

- 100 M Ω photoamplifier transconductance with sub-nanoamp detection
- 100 mA IR LED current with 1-mA/ $^{\circ}$ C temperature compensation
- 50mA blue LED current with 0.1mA/ $^{\circ}$ C temperature compensation

9.2.2 Detailed Design Procedure

9.2.2.1 Photo Amplifier Component Selection

To meet the 100-M Ω photoamplifier transconductance requirement, set the gain stage to 35x with PGAIN = 11. Because the application requires sub-nanoamp current detection, reference the photo amplifier to PREF and set PREF_SEL = 1. This reference offsets the input stage output by 50 mV and offsets the gain stage output by 225 mV. Because the application uses PREF, the gain stage amplification reduces to 32.25x. Divide 100 M Ω by 32.25x to get 3.1 M Ω . The gain is distributed across two resistors, therefore use a resistor with a value of approximately 1.55 M Ω . A 1.5-M Ω resistor is selected. The achieved transconductance is 96.8 M Ω . Use 10-pF of compensation capacitance in parallel with the 1.5-M Ω resistors. Use an oscilloscope with averaging to verify the photo amplifier is quickly settling but not overshooting. If the photo amplifier has overshoot, increase the compensation capacitance. If the photo amplifier is settling slowly, decrease the compensation capacitance.

9.2.2.2 LED Driver Component Selection

The LED current depends on the TEMPCO bits, PDAC register and CSA and CSB resistors. Changing any of these values affects the LED current and temperature compensation. The following method selects the TEMPCO, PDAC, and CSA resistor value based on the required LED current and temperature compensation. The 100-mA LED current and 1 mA/ $^{\circ}$ C temperature compensation is used as an example for LED A. Repeat the process for LED B.

1. Determine the room temperature current and temperature compensation required by the application.
 - 100mA and 1mA/ $^{\circ}$ C is required by the design.
2. Calculate the compensation in percentage per degree by dividing the compensation coefficient by the current and multiplying by 100.
 - 1 mA/ $^{\circ}$ C divided by 100 mA is 1%/ $^{\circ}$ C.
3. Use [表 9-1](#) or [表 9-2](#) to select a TEMPCO setting which contains the required compensation. If the required compensation is in two ranges, use the range with a higher TEMPCO setting. If the required temperature coefficient is not in any of the ranges, choose the TEMPCO and PDAC setting closest to the required temperature coefficient, then go to step 5.
 - 1%/ $^{\circ}$ C is between the minimum and maximum for TEMPCO = 11.
4. Calculate the target CSA voltage. Divide the driver temperature coefficient [mV/ $^{\circ}$ C] by the desired temperature coefficient [%/ $^{\circ}$ C] and multiply by 100.
 - 1.040 mV/ $^{\circ}$ C divided by 1 %/ $^{\circ}$ C is 104 mV.
5. Calculate the CSA resistor by dividing the target CSA voltage by the required current and subtracting 0.1 Ω for internal resistance.
 - 104 mV divided by 100 mA is 1.04 Ω . Subtract 0.1 Ω to get 0.94 Ω .
6. Select the closest available resistor and calculate the final CSA voltage by multiplying the required current by the total resistance (external and internal).
 - Use a 0.92 Ω resistor. Multiply 100 mA and 1.02 Ω to get 102mV CSA voltage.
7. Calculate the PDAC value by subtracting the final CSA voltage by the specified CSA voltage at PDAC = 0x00 and dividing the result by 1.176 mV (the DAC LSB, equal to 300 mV divided by 255).
 - 102 mV minus 79 mV is 23 mV, divided by 1.176 mV is 20. Write 0x14 to the PDAC register.
8. Calibrate the PDAC value. If using the LED A driver, read the CSA_BIN register bits and add 0x11 if CSA_BIN=00b, add 0x06 if CSA_BIN=01b, subtract 0x06 if CSA_BIN=10b, or subtract 0x11 if CSA_BIN=11b. The CSA_BIN value varies from unit to unit and must be read on each unit calibrated using

this method. Alternatively, measure the CSA or CSB voltage using the MCU ADC and adjust PDAC accordingly.

- The microcontroller reads that a unit has CSA_BIN=01b. 0x20 is written to PDAC_A.

表 9-1. Temperature Coefficients for Each TEMPCOA and DAC_A Setting

Register Setting	CSA Voltage [mV], T = 27°C	Temperature Coefficient [mV/°C]	Temperature Coefficient [%/°C]	Coefficient Information
TEMPCOA[1:0] = 11, PDAC_A = 0x00	79	1.040	1.316%	Max for TEMPCO = 11b
TEMPCOA[1:0] = 11, PDAC_A = 0xFF	376	1.040	0.277%	Min for TEMPCO = 11b
TEMPCOA[1:0] = 10, PDAC_A = 0x00	188	0.693	0.369%	Max for TEMPCO = 10b
TEMPCOA[1:0] = 10, PDAC_A = 0xFF	484	0.693	0.143%	Min for TEMPCO = 10b
TEMPCOA[1:0] = 01, PDAC_A = 0x00	277	0.416	0.150%	Max for TEMPCO = 01b
TEMPCOA[1:0] = 01, PDAC_A = 0xFF	572	0.416	0.073%	Min for TEMPCO = 01b
TEMPCOA[1:0] = 00, PDAC_A = 0x00	299	0.347	0.116%	Max for TEMPCO = 00b
TEMPCOA[1:0] = 00, PDAC_A = 0xFF	593	0.347	0.059%	Min for TEMPCO = 00b

表 9-2. Temperature Coefficients for Each TEMPCOB and DAC_B Setting

Register Setting	CSB Voltage [mV], T = 27°C	Temperature Coefficient [mV/°C]	Temperature Coefficient [%/°C]	Coefficient Information
TEMPCOB[1:0] = 11, PDAC_B = 0x00	81	1.040	1.284%	Max for TEMPCO = 11b
TEMPCOB[1:0] = 11, PDAC_B = 0xFF	379	1.040	0.272%	Min for TEMPCO = 11b
TEMPCOB[1:0] = 10, PDAC_B = 0x00	189	0.693	0.369%	Max for TEMPCO = 10b
TEMPCOB[1:0] = 10, PDAC_B = 0xFF	486	0.693	0.143%	Min for TEMPCO = 10b
TEMPCOB[1:0] = 01, PDAC_B = 0x00	277	0.416	0.150%	Max for TEMPCO = 01b
TEMPCOB[1:0] = 01, PDAC_B = 0xFF	572	0.416	0.073%	Min for TEMPCO = 01b
TEMPCOB[1:0] = 00, PDAC_B = 0x00	299	0.347	0.116%	Max for TEMPCO = 00b
TEMPCOB[1:0] = 00, PDAC_B = 0xFF	594	0.347	0.059%	Min for TEMPCO = 00b

Use the same procedure for the blue LED, requiring 50 mA and 0.1 mA/°C, to calculate TEMPCOB = 10, RCSB = 6.8 Ω, VCSB = 345 mV, PDAC_B = 0x85 (before calibration).

The two drivers are identical, except for the CSA_BIN code to improve the accuracy of the LED_A driver for IR LEDs. Connect the IR LED to the LED A driver and the blue LED to the LED B driver in multi-wave systems.

9.2.2.3 LED Voltage Supply Selection

Each of the LED anodes must have enough voltage to forward bias the LED, regulate the CSA and CSB voltage, and exceed the driver dropout voltage requirement from DINA to CSA and DINB to CSB. A typical IR LED at 100 mA has 1.5-V forward voltage. The LED driver dropout voltage at 100 mA is 300 mV. With the CSA voltage set to 100 mV, the dropout voltage of 300 mV, and forward voltage of 1.5 V, at least 1.9 V must be applied to the IR LED anode for current regulation. Connect the IR LED anode to the LEDLDO. Enable the boost converter set to

2.7 V and enable the LED LDO to charge the IR LED anode capacitor. Alternatively, the IR LED anode can be connected to PLDO through a diode.

A typical blue LED at 50 mA has 4 V forward voltage. For the blue LED, the CSB voltage is 340 mV, the dropout voltage is 300 mV, and the forward voltage is 4 V. Supply over 4.64 V to the anode for the duration of the LED pulse. With a 47 μ F capacitor derated to 30 μ F, 100 μ s LED pulse, the anode voltage drops by 170 mV. Thus, the capacitor must be charged to 4.81 V. Enable the boost converter set to 6 V and enable the LED LDO to charge the blue LED anode capacitor. The LED LDO has a diode voltage drop between the VBST voltage and LEDLDO voltage. The LEDLDO prevents the DINA pin from exceeding its recommended operating limit of 11.5 V.

9.2.2.4 Boost Converter Component Selection

A 4.7- μ F, 16-V or 25-V, X5R or X7R capacitor is recommended on VBST. This value provides the best tradeoff between boost ripple and power loss (from charging and discharging VBST).

A 4.7- μ F X5R or X7R capacitor rated for the battery voltage is recommended to be connected to the battery. This capacitor provides a low-impedance supply for the inductor when the boost converter is rapidly switching.

A 33- μ H inductor rated for 700 mA of saturation current with less than 800 m Ω of DC resistance (DCR) is recommended. Smaller DCR improves the efficiency of the boost converter. Comparing 800 m Ω to 400 m Ω , approximately 3% efficiency improvement is expected.

表 9-3. Recommended Inductors for Boost Converter

PART NUMBER	SUPPLIER	VALUE	DCR (Ω)	I _{SAT} (A)	DIMENSIONS
SDR0503-330KL	Bourns	33 μ H	0.38	0.85	5.0mm x 4.8mm x 3.0mm
NRS4018T330MDGJV	Taiyo Yuden	33 μ H	0.552	0.70	4.0mm x 4.0mm x 1.8mm

A Schottky diode with low forward voltage and low leakage current is recommended. Ensure the leakage is low enough to prevent battery recharging issues.

表 9-4. Recommended Diode for Boost Converter

PART NUMBER	SUPPLIER	SIZE
MBR0520LT1	ON Semiconductor Corp.	SOD-123

9.2.2.5 Regulator Component Selection

To stabilize the output voltage on each regulator, install 1- μ F capacitors on VINT, VMCU, and PLDO. Connect the MCUSEL pin to GND to set the MCU LDO voltage to 1.8V. The MCU LDO can be set to other voltages by changing the MCUSEL pin connection. Connect the MCUSEL pin to GND through a 1 nF capacitor to set the MCU LDO voltage to 3.3 V. Connect MCUSEL to VINT to set the MCU LDO to 2.5 V. Connect MCUSEL to GND with a 620- Ω resistor to set the MCU LDO to 1.5 V.

9.2.3 Application Curves

All curves use the schematics shown in [图 9-1](#). The photo amplifier curves do not have the 470 k Ω PREF resistor installed.

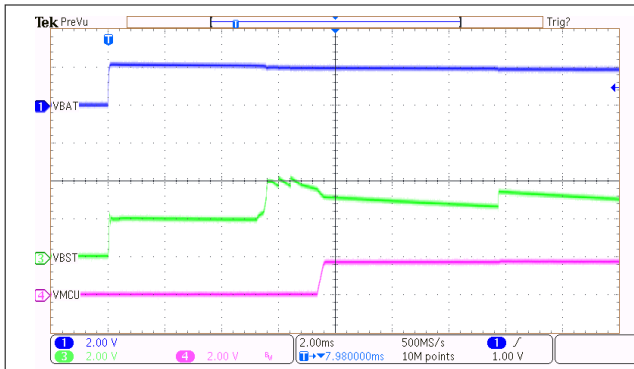


图 9-2. Power-up Waveforms

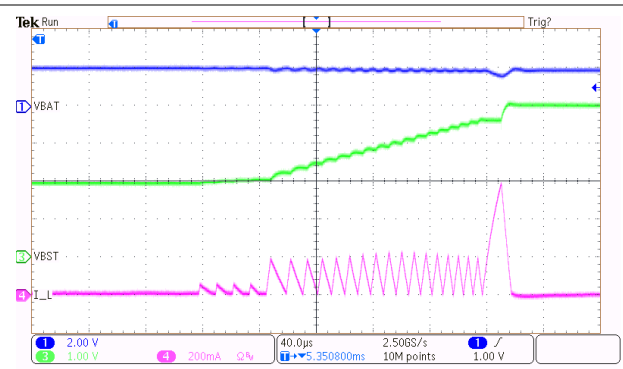


图 9-3. Boost Soft-Start

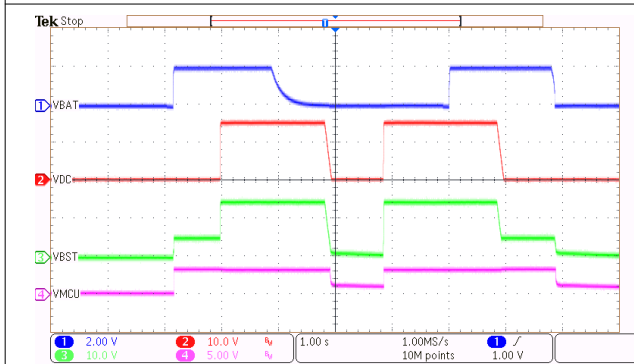


图 9-4. 15V AC/DC Supply with Battery Backup Handoff

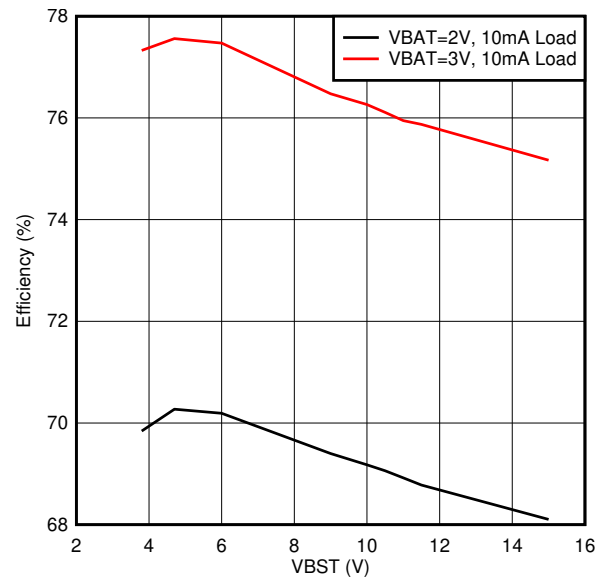


图 9-5. Boost Converter Efficiency

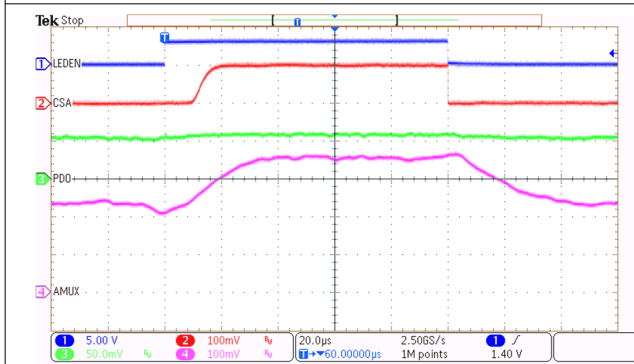


图 9-6. LED Driver and Photo Amplifier Waveforms

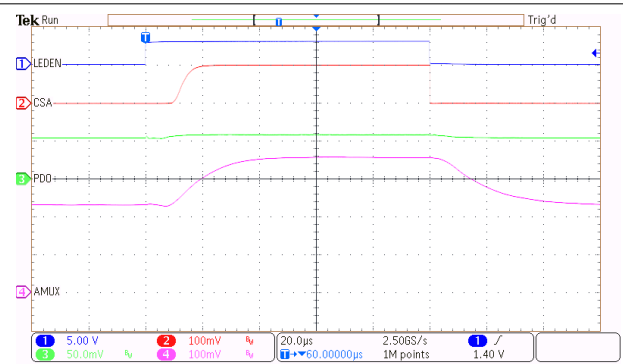
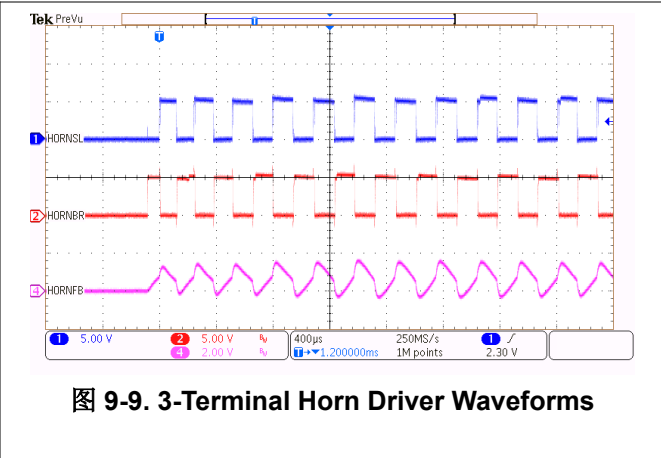
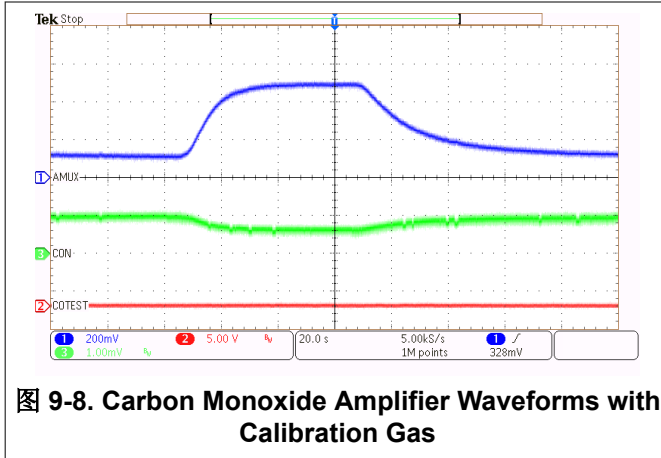


图 9-7. LED Driver and Photo Amplifier Waveforms with 128 Averages



9.2.4 3V Battery Smoke and CO Alarm

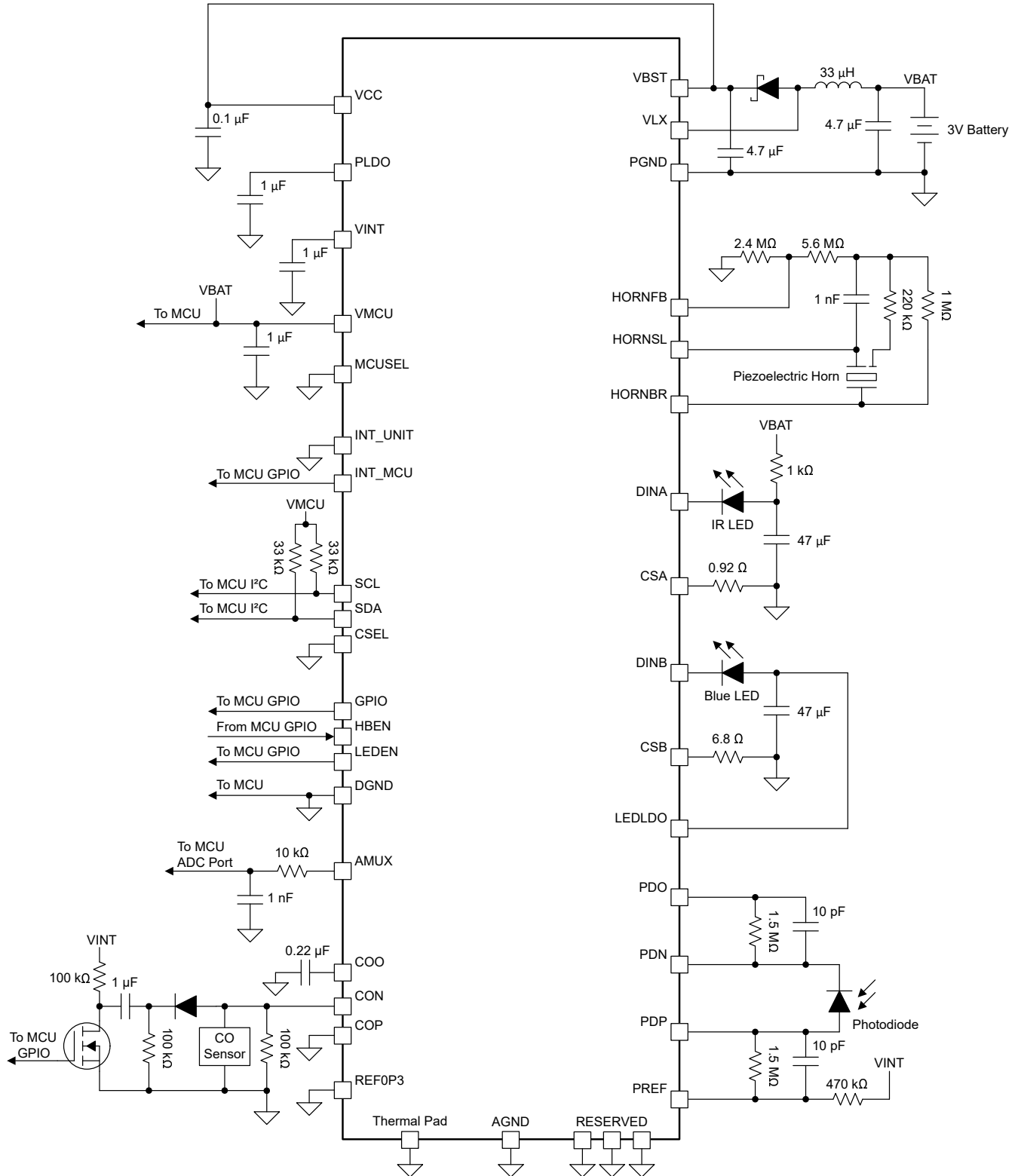


图 9-10. 3-V Battery Smoke and CO Alarm

9.2.4.1 Design Requirements

In this example, a smoke alarm requires the following:

- 100 M Ω photoamplifier transconductance with sub-nanoamp detection
- 100mA IR LED current with 1mA/°C temperature compensation
- 50mA blue LED current with 0.1mA/°C temperature compensation
- 10-year battery life with 3V lithium primary battery

9.2.4.2 Detailed Design Procedure

In this application, a 3V battery is the only power source. The 3V battery is used to directly power the IR LED and the MCU, saving power. The MCU LDO can be disabled after power-up. Ensure the MCU and IR LED can operate over the range of voltages supplied by the battery.

10 Power Supply Recommendations

These power sources, among others, can power the TPS8802 device:

- 3-V lithium battery
- 9-V battery
- two 1.5-V batteries
- an AC/DC supply

When the boost converter is used, the power supply must be able to supply 650-mA peak current to the boost converter. Ensure that the power supply voltage does not drop below 2 V during the initial powerup sequence. A rise time less than 1 ms may cause VBST to overshoot due to LC ringing. Ensure the power supply's rise time is less than 100ms.

If the boost converter is not used, ensure the power supply can tolerate transient currents caused by the LED driver or horn driver. A supply capable of 50 mA average current is generally sufficient. The supply voltage must be high enough to power the horn driver, LED driver and interconnect. Ensure the power supply's rise time is less than 100ms.

11 Layout

11.1 Layout Guidelines

These blocks require careful layout placement:

- Boost converter
- Photo amplifier
- CO amplifier
- Ground plane and traces

11.1.1 Photo Amplifier Layout

The photo amplifier is a very sensitive analog block in the TPS8802 device. Minimal trace lengths must be used to connect the photodiode and relevant external components to PDP, PDN, PDO, PREF and AGND. It is recommended to shield the PDP, PDN, PDO, and PREF traces with the AGND plane.

11.1.2 CO Amplifier Layout

Similar to the photo amplifier, the CO amplifier is very sensitive to noise. Connect the CO electrochemical sensor close to the TPS8802 device and shield the COP, CON, and COO traces with the AGND plane.

11.1.3 Boost Converter Layout

The boost converter components must be positioned close to the VLX, VBST, and PGND pins. To minimize switching noise, ensure that the VLX trace is as short as possible. A PGND plane can assist with connecting the PGND connections together, but may not be necessary if the PGND routing is short enough without the PGND plane. All PGND routing must remain separated from the AGND plane. Connect PGND to AGND at a single point near the AGND pin.

11.1.4 Ground Plane Layout

Connect AGND and DGND to the ground plane. Ensure there is a short path from AGND to DGND. Route PGND and its associated blocks (LED driver, boost converter) separately from the ground plane. Connect PGND to AGND at a single point near the IC.

11.2 Layout Example

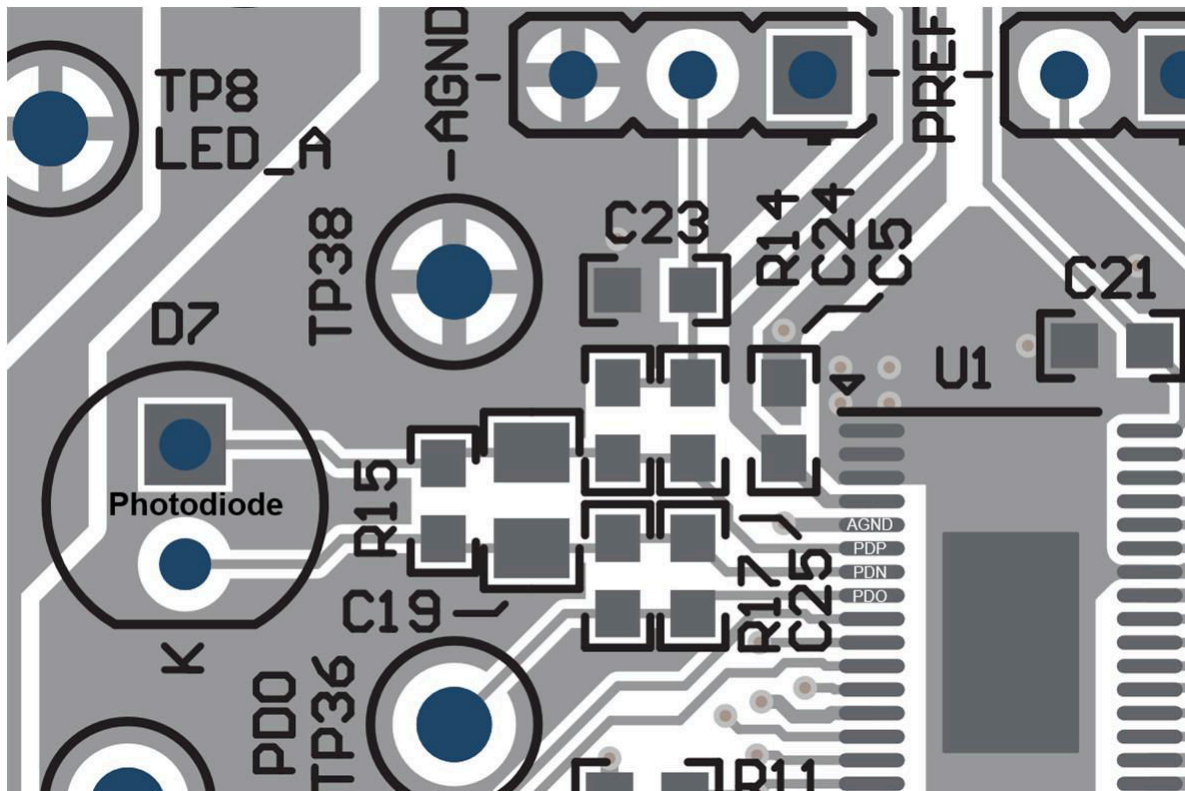


图 11-1. Photo Amplifier Layout

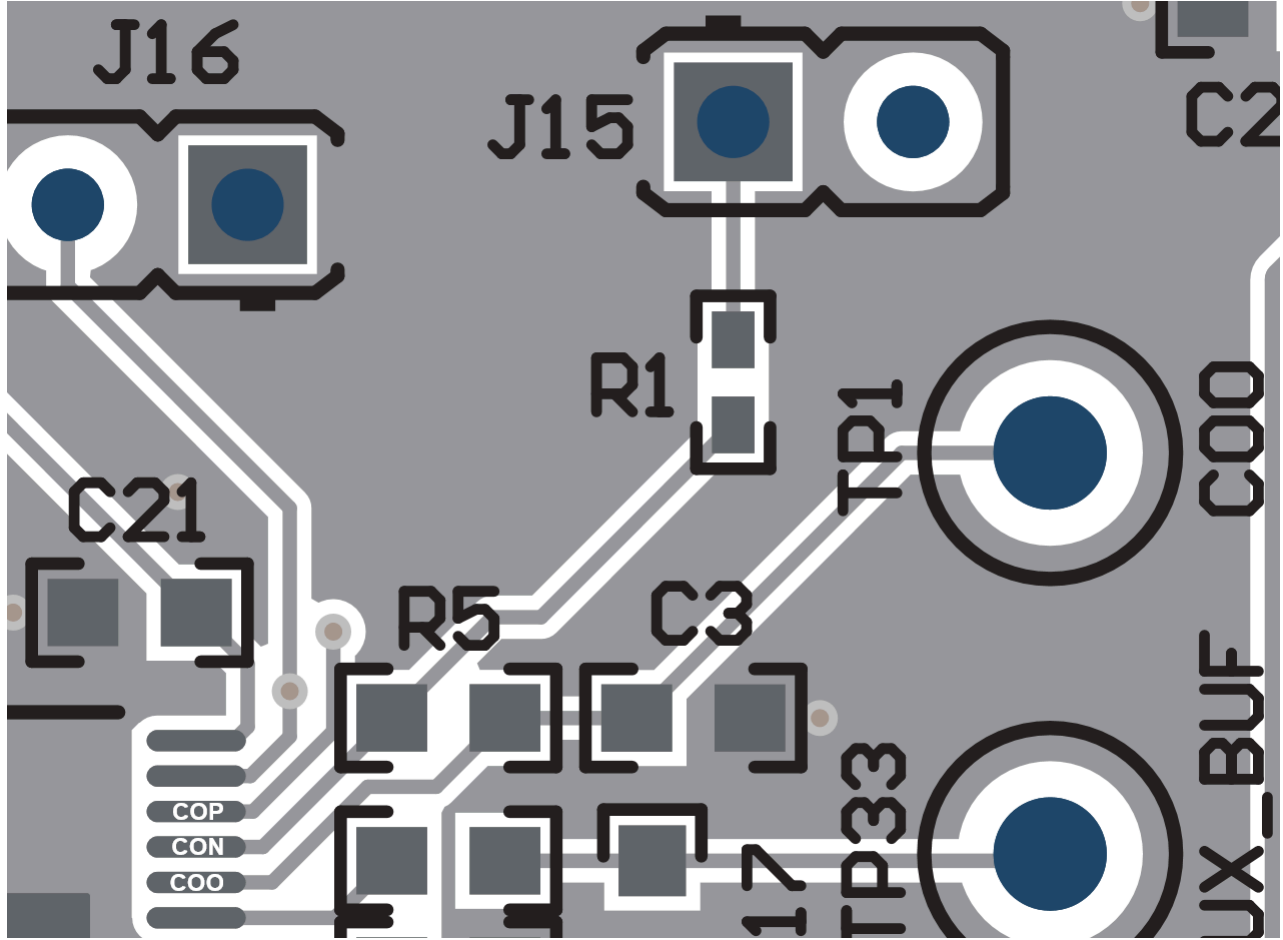


图 11-2. CO Amplifier Layout

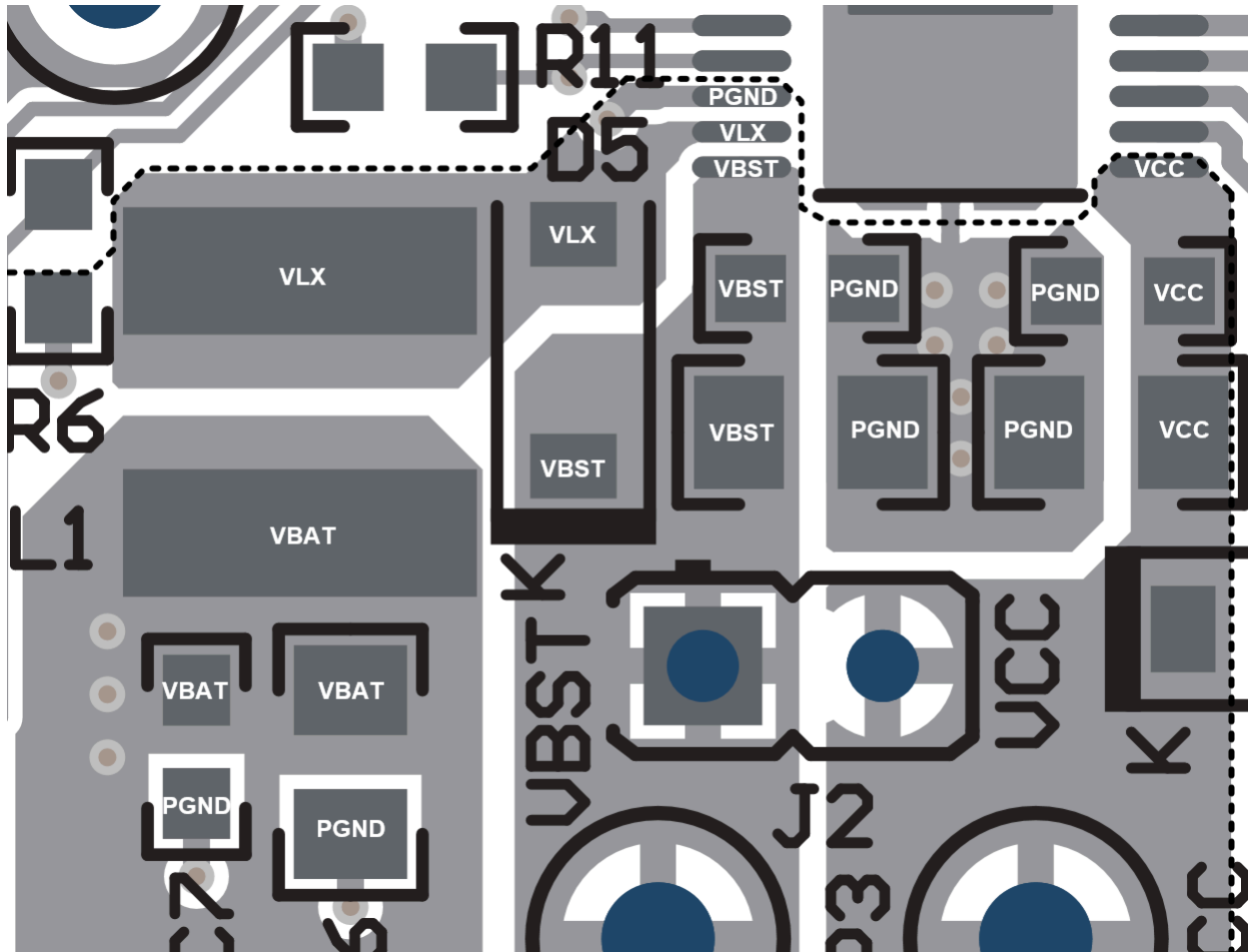


图 11-3. Boost Converter Layout with PGND Plane

12 Device and Documentation Support

12.1 接收文档更新通知

要接收文档更新通知，请导航至 ti.com 上的器件产品文件夹。点击 [订阅更新](#) 进行注册，即可每周接收产品信息更改摘要。有关更改的详细信息，请查看任何已修订文档中包含的修订历史记录。

12.2 支持资源

[TI E2E™ 支持论坛](#) 是工程师的重要参考资料，可直接从专家获得快速、经过验证的解答和设计帮助。搜索现有解答或提出自己的问题可获得所需的快速设计帮助。

链接的内容由各个贡献者“按原样”提供。这些内容并不构成 TI 技术规范，并且不一定反映 TI 的观点；请参阅 TI 的《[使用条款](#)》。

12.3 Trademarks

TI E2E™ is a trademark of Texas Instruments.

所有商标均为其各自所有者的财产。

12.4 静电放电警告



静电放电 (ESD) 会损坏这个集成电路。德州仪器 (TI) 建议通过适当的预防措施处理所有集成电路。如果不遵守正确的处理和安装程序，可能会损坏集成电路。

ESD 的损坏小至导致微小的性能降级，大至整个器件故障。精密的集成电路可能更容易受到损坏，这是因为非常细微的参数更改都可能会导致器件与其发布的规格不相符。

12.5 术语表

[TI 术语表](#) 本术语表列出并解释了术语、首字母缩略词和定义。

13 Mechanical, Packaging, and Orderable Information

The following pages include mechanical, packaging, and orderable information. This information is the most current data available for the designated devices. This data is subject to change without notice and revision of this document. For browser-based versions of this data sheet, refer to the left-hand navigation.

重要声明和免责声明

TI 提供技术和可靠性数据 (包括数据表)、设计资源 (包括参考设计)、应用或其他设计建议、网络工具、安全信息和其他资源, 不保证没有瑕疵且不做任何明示或暗示的担保, 包括但不限于对适销性、某特定用途方面的适用性或不侵犯任何第三方知识产权的暗示担保。

这些资源可供使用 TI 产品进行设计的熟练开发人员使用。您将自行承担以下全部责任: (1) 针对您的应用选择合适的 TI 产品, (2) 设计、验证并测试您的应用, (3) 确保您的应用满足相应标准以及任何其他安全、安保或其他要求。这些资源如有变更, 恕不另行通知。TI 授权您仅可将这些资源用于研发本资源所述的 TI 产品的应用。严禁对这些资源进行其他复制或展示。您无权使用任何其他 TI 知识产权或任何第三方知识产权。您应全额赔偿因在这些资源的使用中对 TI 及其代表造成的任何索赔、损害、成本、损失和债务, TI 对此概不负责。

TI 提供的产品受 TI 的销售条款 (<https://www.ti.com/legal/termsofsale.html>) 或 [ti.com](https://www.ti.com) 上其他适用条款/TI 产品随附的其他适用条款的约束。TI 提供这些资源并不会扩展或以其他方式更改 TI 针对 TI 产品发布的适用的担保或担保免责声明。

邮寄地址: Texas Instruments, Post Office Box 655303, Dallas, Texas 75265

Copyright © 2021, 德州仪器 (TI) 公司

PACKAGING INFORMATION

Orderable part number	Status (1)	Material type (2)	Package Pins	Package qty Carrier	RoHS (3)	Lead finish/ Ball material (4)	MSL rating/ Peak reflow (5)	Op temp (°C)	Part marking (6)
TPS8802DCPR	Active	Production	HTSSOP (DCP) 38	2000 LARGE T&R	Yes	NIPDAU	Level-3-260C-168 HR	-40 to 85	TPS8802DCP
TPS8802DCPR.A	Active	Production	HTSSOP (DCP) 38	2000 LARGE T&R	Yes	NIPDAU	Level-3-260C-168 HR	-40 to 85	TPS8802DCP

(1) **Status:** For more details on status, see our [product life cycle](#).

(2) **Material type:** When designated, preproduction parts are prototypes/experimental devices, and are not yet approved or released for full production. Testing and final process, including without limitation quality assurance, reliability performance testing, and/or process qualification, may not yet be complete, and this item is subject to further changes or possible discontinuation. If available for ordering, purchases will be subject to an additional waiver at checkout, and are intended for early internal evaluation purposes only. These items are sold without warranties of any kind.

(3) **RoHS values:** Yes, No, RoHS Exempt. See the [TI RoHS Statement](#) for additional information and value definition.

(4) **Lead finish/Ball material:** Parts may have multiple material finish options. Finish options are separated by a vertical ruled line. Lead finish/Ball material values may wrap to two lines if the finish value exceeds the maximum column width.

(5) **MSL rating/Peak reflow:** The moisture sensitivity level ratings and peak solder (reflow) temperatures. In the event that a part has multiple moisture sensitivity ratings, only the lowest level per JEDEC standards is shown. Refer to the shipping label for the actual reflow temperature that will be used to mount the part to the printed circuit board.

(6) **Part marking:** There may be an additional marking, which relates to the logo, the lot trace code information, or the environmental category of the part.

Multiple part markings will be inside parentheses. Only one part marking contained in parentheses and separated by a "~" will appear on a part. If a line is indented then it is a continuation of the previous line and the two combined represent the entire part marking for that device.

Important Information and Disclaimer: The information provided on this page represents TI's knowledge and belief as of the date that it is provided. TI bases its knowledge and belief on information provided by third parties, and makes no representation or warranty as to the accuracy of such information. Efforts are underway to better integrate information from third parties. TI has taken and continues to take reasonable steps to provide representative and accurate information but may not have conducted destructive testing or chemical analysis on incoming materials and chemicals. TI and TI suppliers consider certain information to be proprietary, and thus CAS numbers and other limited information may not be available for release.

In no event shall TI's liability arising out of such information exceed the total purchase price of the TI part(s) at issue in this document sold by TI to Customer on an annual basis.

TAPE AND REEL INFORMATION

QUADRANT ASSIGNMENTS FOR PIN 1 ORIENTATION IN TAPE


*All dimensions are nominal

Device	Package Type	Package Drawing	Pins	SPQ	Reel Diameter (mm)	Reel Width W1 (mm)	A0 (mm)	B0 (mm)	K0 (mm)	P1 (mm)	W (mm)	Pin1 Quadrant
TPS8802DCPR	HTSSOP	DCP	38	2000	330.0	16.4	6.9	10.2	1.8	12.0	16.0	Q1

TAPE AND REEL BOX DIMENSIONS


*All dimensions are nominal

Device	Package Type	Package Drawing	Pins	SPQ	Length (mm)	Width (mm)	Height (mm)
TPS8802DCPR	HTSSOP	DCP	38	2000	367.0	367.0	38.0

GENERIC PACKAGE VIEW

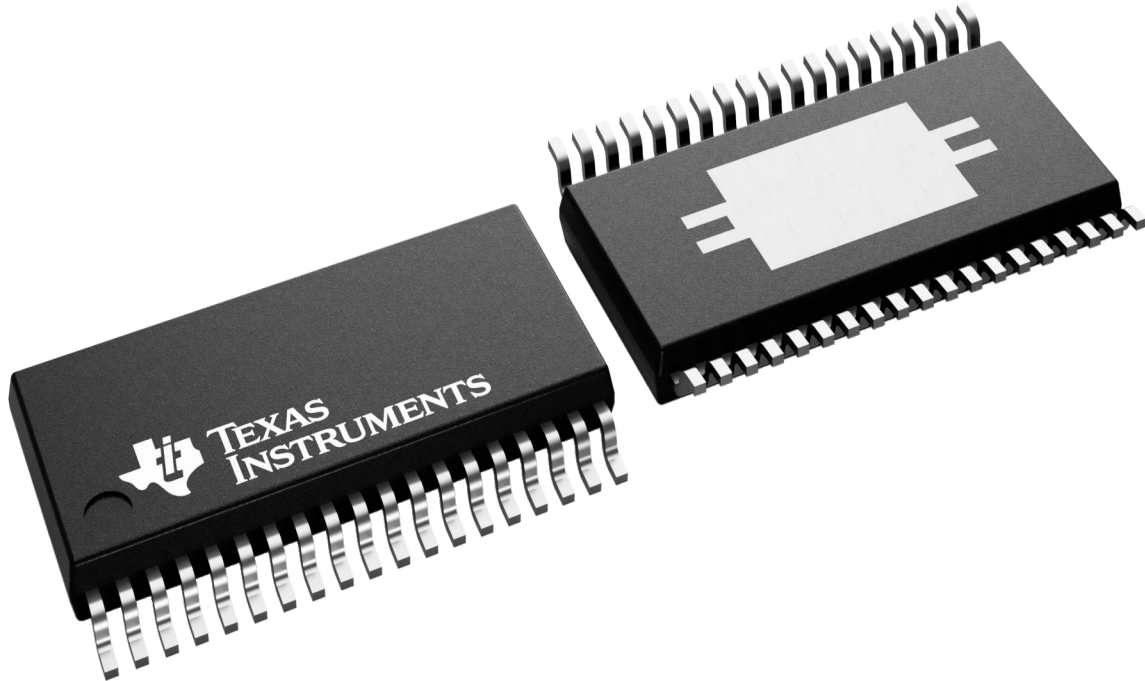
DCP 38

PowerPAD TSSOP - 1.2 mm max height

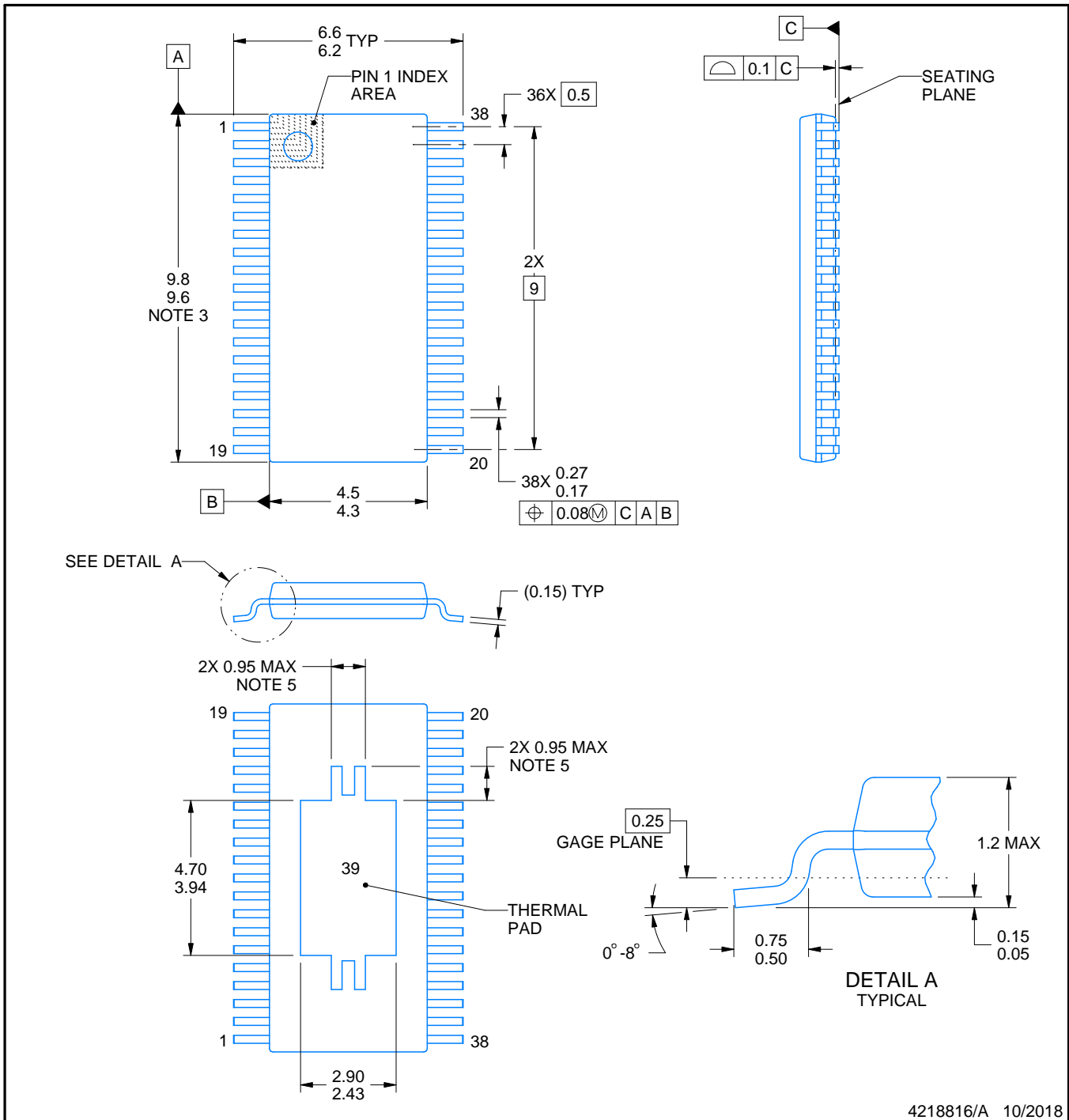
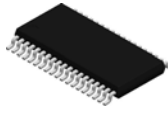
4.4 x 9.7, 0.5 mm pitch

SMALL OUTLINE PACKAGE

This image is a representation of the package family, actual package may vary.
Refer to the product data sheet for package details.



4224560/B



4218816/A 10/2018

NOTES:

PowerPAD is a trademark of Texas Instruments.

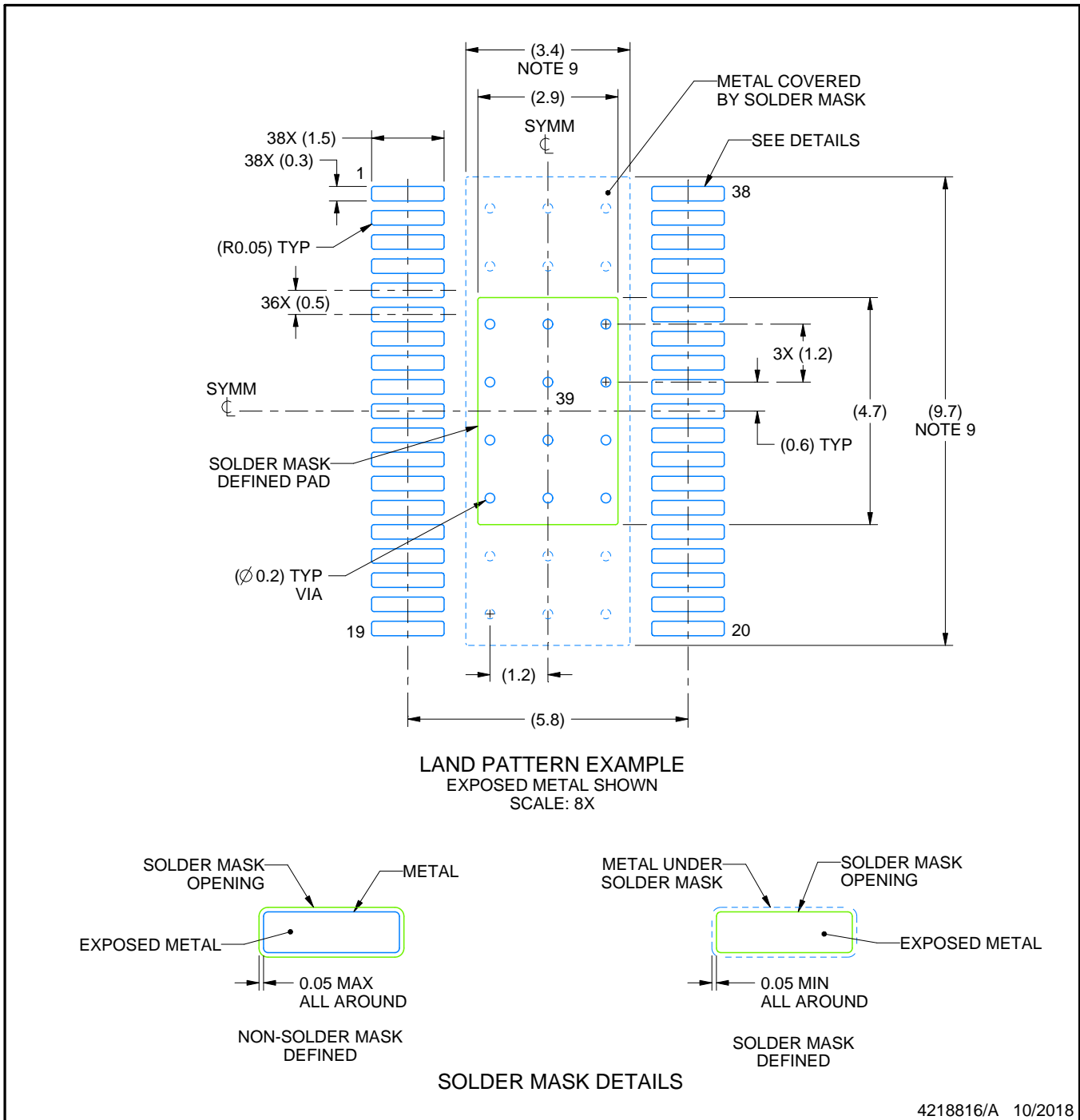
1. All linear dimensions are in millimeters. Any dimensions in parenthesis are for reference only. Dimensioning and tolerancing per ASME Y14.5M.
2. This drawing is subject to change without notice.
3. This dimension does not include mold flash, protrusions, or gate burrs. Mold flash, protrusions, or gate burrs shall not exceed 0.15 mm per side.
4. Reference JEDEC registration MO-153.
5. Features may differ or may not be present.

EXAMPLE BOARD LAYOUT

DCP0038A

PowerPAD™ TSSOP - 1.2 mm max height

SMALL OUTLINE PACKAGE



NOTES: (continued)

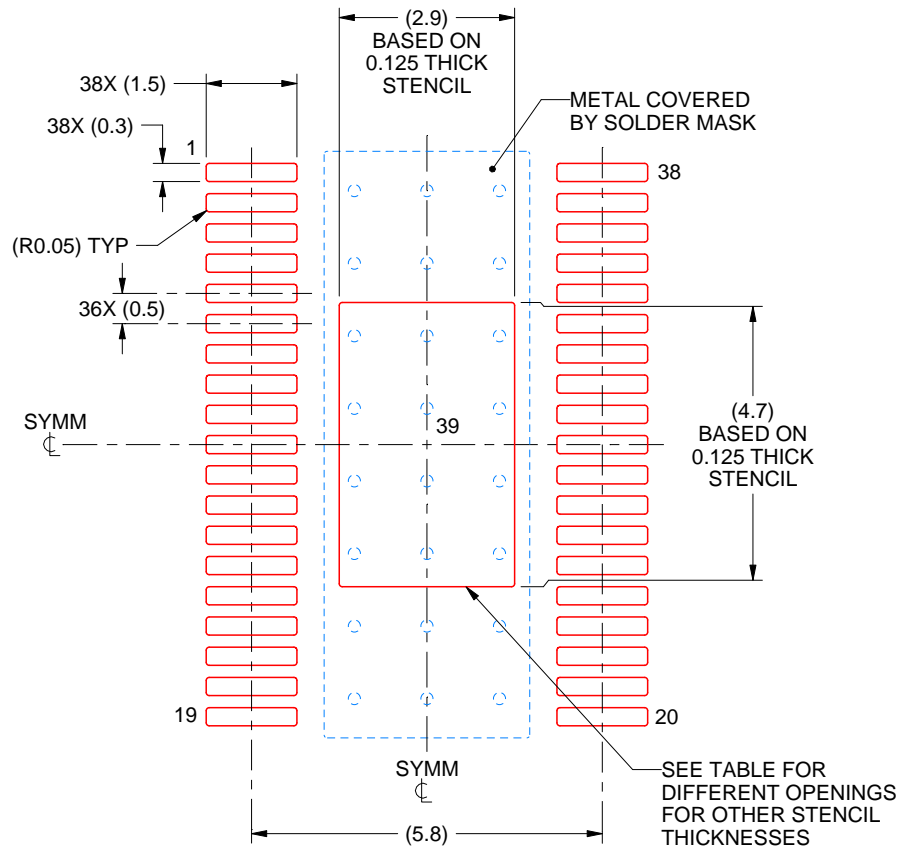
- Publication IPC-7351 may have alternate designs.
- Solder mask tolerances between and around signal pads can vary based on board fabrication site.
- This package is designed to be soldered to a thermal pad on the board. For more information, see Texas Instruments literature numbers SLMA002 (www.ti.com/lit/slma002) and SLMA004 (www.ti.com/lit/slma004).
- Size of metal pad may vary due to creepage requirement.
- Vias are optional depending on application, refer to device data sheet. It is recommended that vias under paste be filled, plugged or tented.

EXAMPLE STENCIL DESIGN

DCP0038A

PowerPAD™ TSSOP - 1.2 mm max height

SMALL OUTLINE PACKAGE



SOLDER PASTE EXAMPLE
 BASED ON 0.125 mm THICK STENCIL
 SCALE: 8X

STENCIL THICKNESS	SOLDER STENCIL OPENING
0.1	3.24 X 5.25
0.125	2.90 X 4.70 (SHOWN)
0.15	2.65 X 4.29
0.175	2.45 X 3.97

4218816/A 10/2018

NOTES: (continued)

11. Laser cutting apertures with trapezoidal walls and rounded corners may offer better paste release. IPC-7525 may have alternate design recommendations.
12. Board assembly site may have different recommendations for stencil design.

重要通知和免责声明

TI“按原样”提供技术和可靠性数据（包括数据表）、设计资源（包括参考设计）、应用或其他设计建议、网络工具、安全信息和其他资源，不保证没有瑕疵且不做任何明示或暗示的担保，包括但不限于对适销性、与某特定用途的适用性或不侵犯任何第三方知识产权的暗示担保。

这些资源可供使用 TI 产品进行设计的熟练开发人员使用。您将自行承担以下全部责任：(1) 针对您的应用选择合适的 TI 产品，(2) 设计、验证并测试您的应用，(3) 确保您的应用满足相应标准以及任何其他安全、安保法规或其他要求。

这些资源如有变更，恕不另行通知。TI 授权您仅可将这些资源用于研发本资源所述的 TI 产品的相关应用。严禁以其他方式对这些资源进行复制或展示。您无权使用任何其他 TI 知识产权或任何第三方知识产权。对于因您对这些资源的使用而对 TI 及其代表造成的任何索赔、损害、成本、损失和债务，您将全额赔偿，TI 对此概不负责。

TI 提供的产品受 [TI 销售条款](#)、[TI 通用质量指南](#) 或 [ti.com](#) 上其他适用条款或 TI 产品随附的其他适用条款的约束。TI 提供这些资源并不会扩展或以其他方式更改 TI 针对 TI 产品发布的适用的担保或担保免责声明。除非德州仪器 (TI) 明确将某产品指定为定制产品或客户特定产品，否则其产品均为按确定价格收入目录的标准通用器件。

TI 反对并拒绝您可能提出的任何其他或不同的条款。

版权所有 © 2025，德州仪器 (TI) 公司

最后更新日期：2025 年 10 月