

Determining a SAR ADC's Linear Range when using Operational Amplifiers

TIPL 4101

TI Precision Labs – ADCs

Created by Art Kay & Dale Li

Presented by Peggy Liska

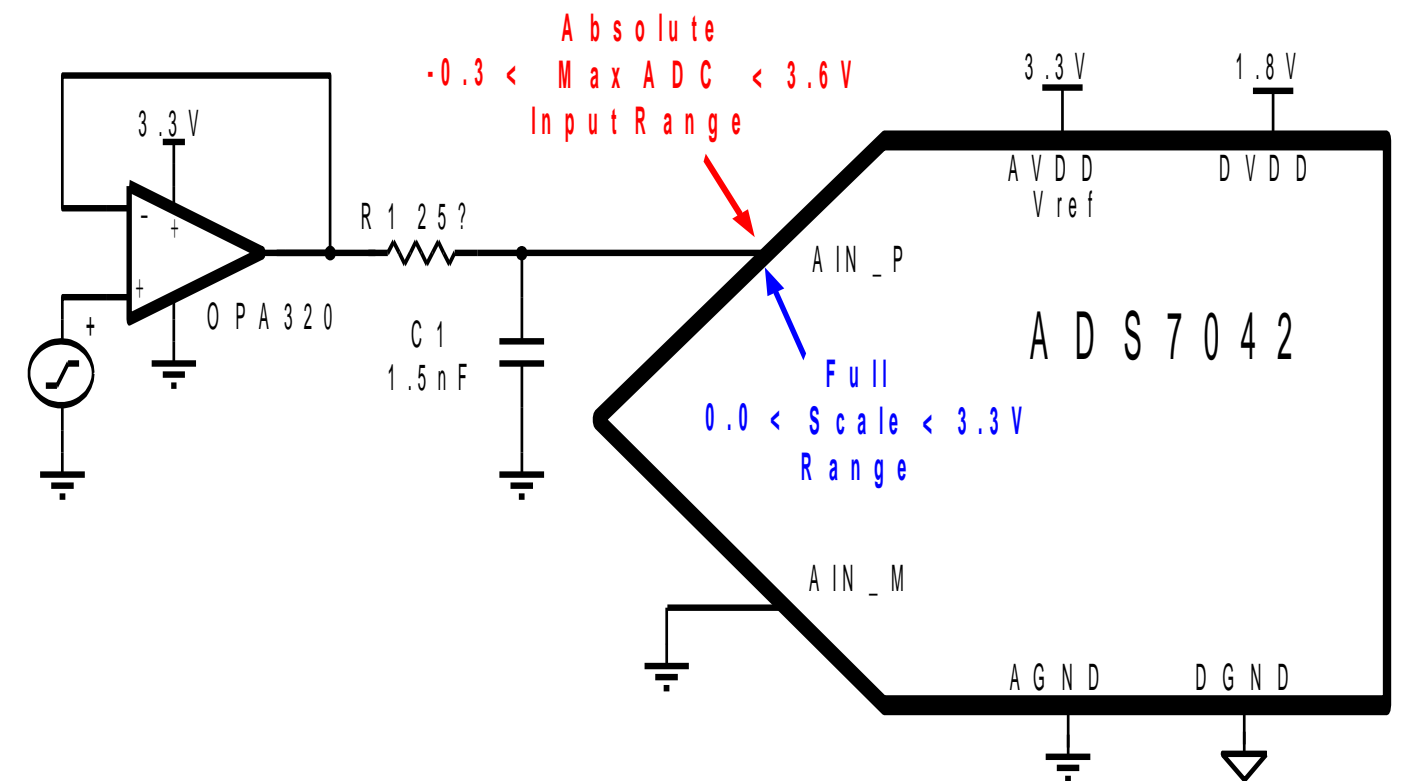
Single Ended Input: ADC Input Range Considerations

PARAMETER ADS7042	TEST CONDITION	MIN	TYP	MAX	UNIT
ANALOG INPUT					
Full-scale input voltage span		0		AVDD	
Absolute Input voltage range	AINP to GND	0		AVDD+0.1	V
	AINM to GND	-0.1		+0.1	

Absolute Maximum Ratings

ADS7042	MIN	MAX	UNIT
AVDD to GND	-0.3	3.9	V
DVDD to GND	-0.3	3.9	V
AINP to GND	-0.3	AVDD + 0.3	V
AINM to GND	-0.3	+0.3	V

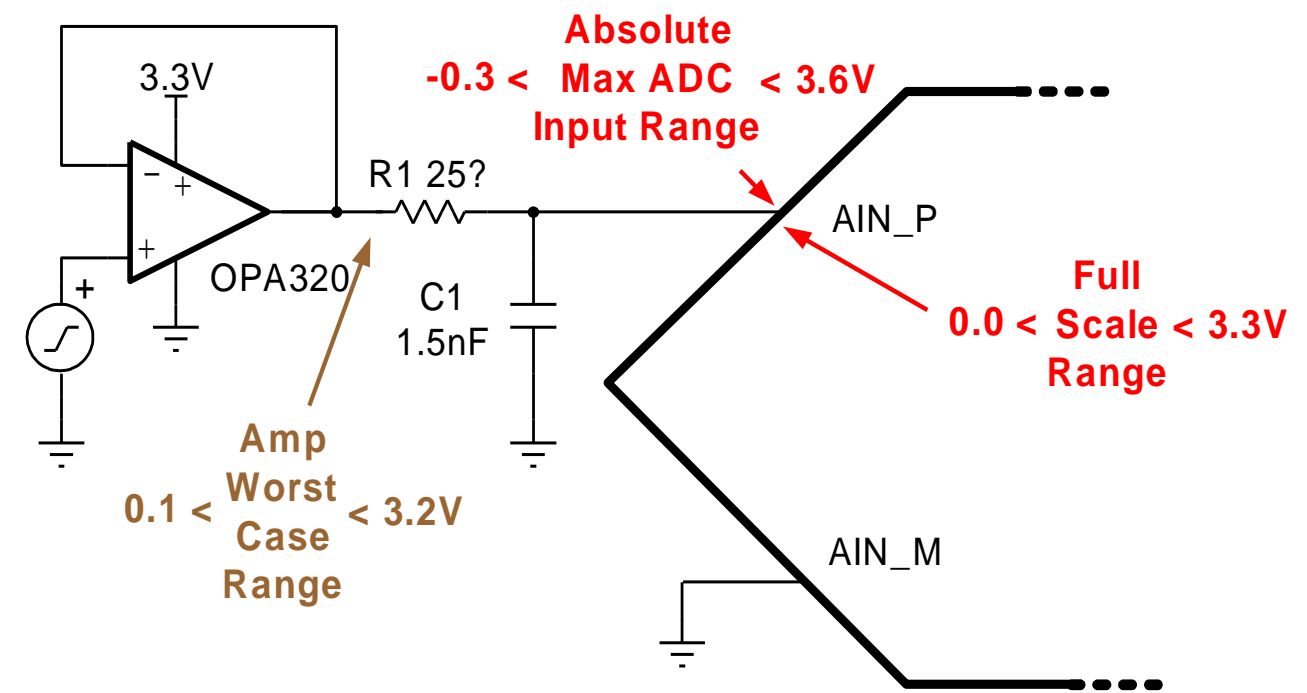
$$AVDD+0.3 = 3.3V + 0.3V = 3.6V$$



Single Ended Input: OPA320 Linear Range

PARAMETER OPA320	TEST CONDITION	MIN	TYP	MAX	UNIT
INPUT VOLTAGE					
Common-mode voltage range	V_{cm}	$(V-) - 0.1$		$(V+) + 0.1$	V
OUTPUT					
Voltage swing from both rails	V_o	$R_L = 10k\Omega$		10	20
		$R_L = 2k\Omega$		25	35
OPEN-LOOP GAIN					
Open-loop gain	A_{OL}	$0.1 < V_o < (V+) - 0.1V, R_L = 10k\Omega$	114	132	dB
		$0.2 < V_o < (V+) - 0.2V, R_L = 2k\Omega$	108	123	

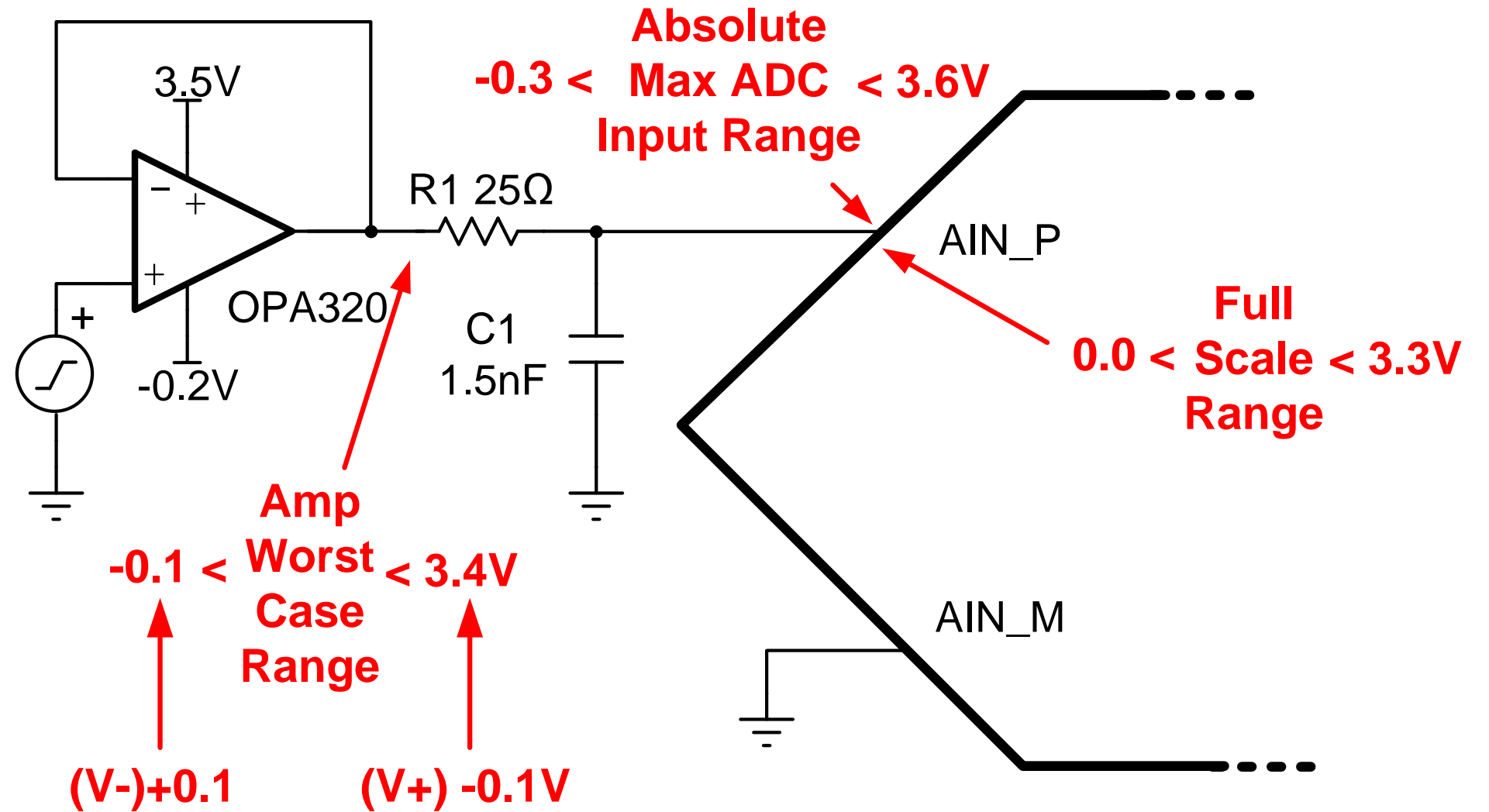
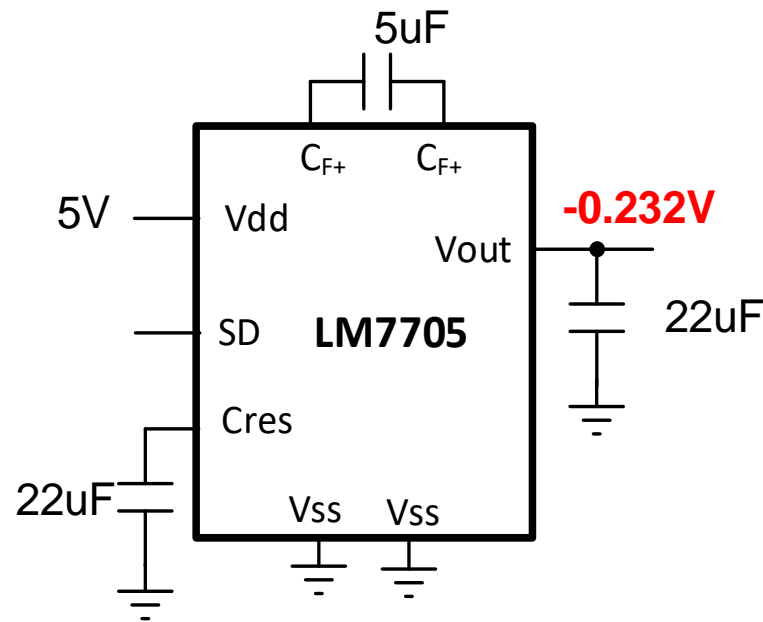
Amplifier Input Range	$-0.1V < V_{cm} < 3.4V$
Amplifier Output Range	$0.02 < V_o < 3.28V$
Amplifier Linear Range	$0.1 < V_o < 3.2V$
Worst Case Range	$0.1 < V_o < 3.2V$



Single Ended Input: Extending the Op Amp Range

Low Noise Negative Bias Generator

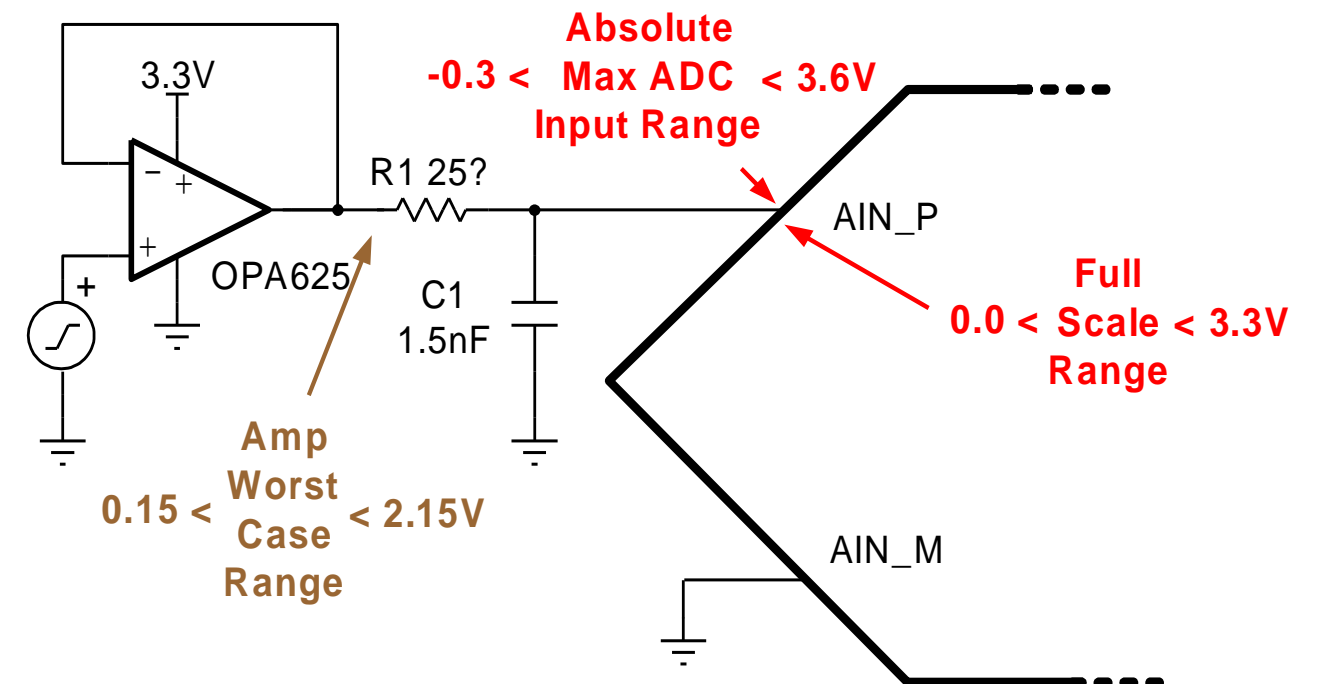
- Regulated Output Voltage -0.232 V
- Output Voltage Tolerance 5%
- Output Voltage Ripple 4 mV_{PP}
- Maximum Output Current 26 mA



Single Ended Input: OPA625

PARAMETER OPA320	TEST CONDITION	MIN	TYP	MAX	UNIT
INPUT VOLTAGE					
Common-mode voltage range	V_{cm}	(V-)		(V+) - 1.15	V
OUTPUT					
Voltage swing from both rails	V_o	$R_L = 10k\Omega$		20	mV
		$R_L = 600\Omega$		60	
OPEN-LOOP GAIN					
Open-loop gain	A_{OL}	$0.15 < V_o < (V+) - 0.15V, R_L = 10k\Omega$	110	132	dB
		$0.2 < V_o < (V+) - 0.2V, R_L = 600\Omega$	106	128	

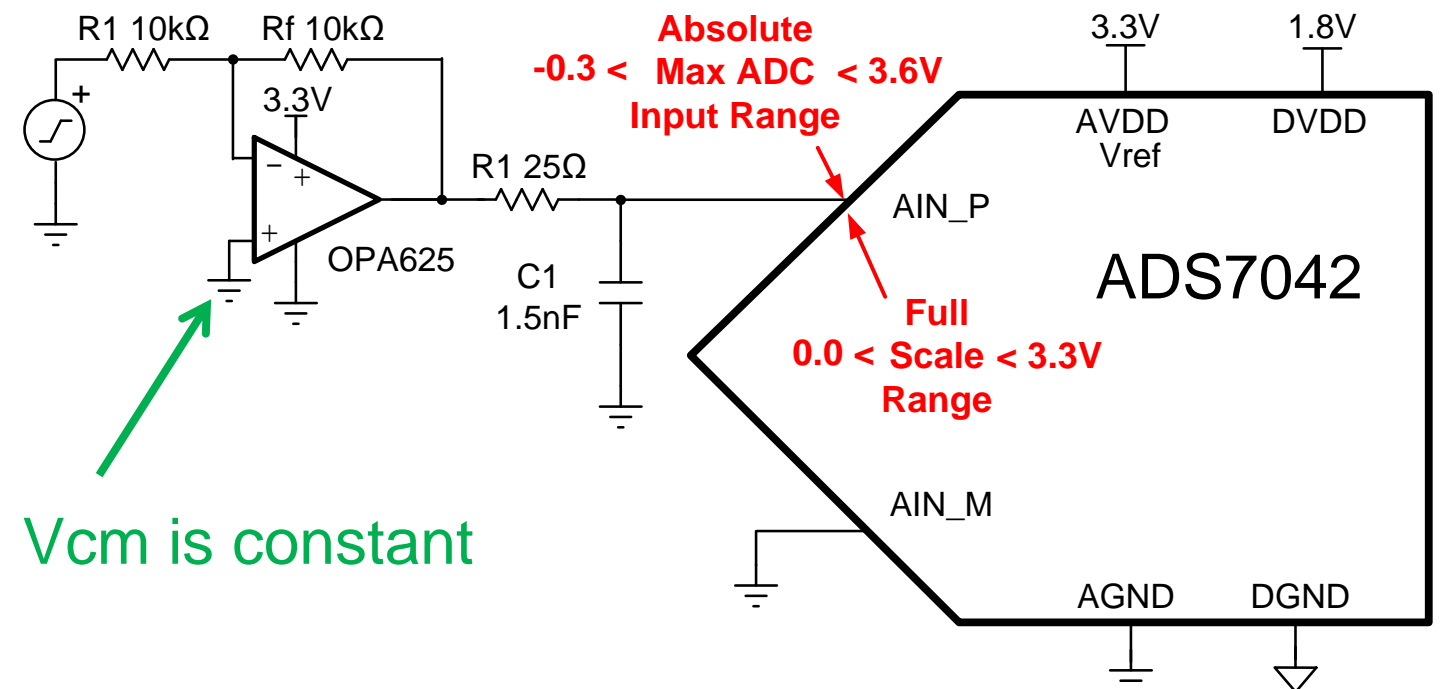
Amplifier input range	$0.0V < V_{cm} < 2.15V$
Amplifier output range	$0.035 < V_o < 3.265V$
Amplifier Linear Range	$0.15 < V_o < 3.15V$
Worst Case Range	$0.15 < V_o < 2.15V$



Inverting amplifier: Eliminate Common mode issue

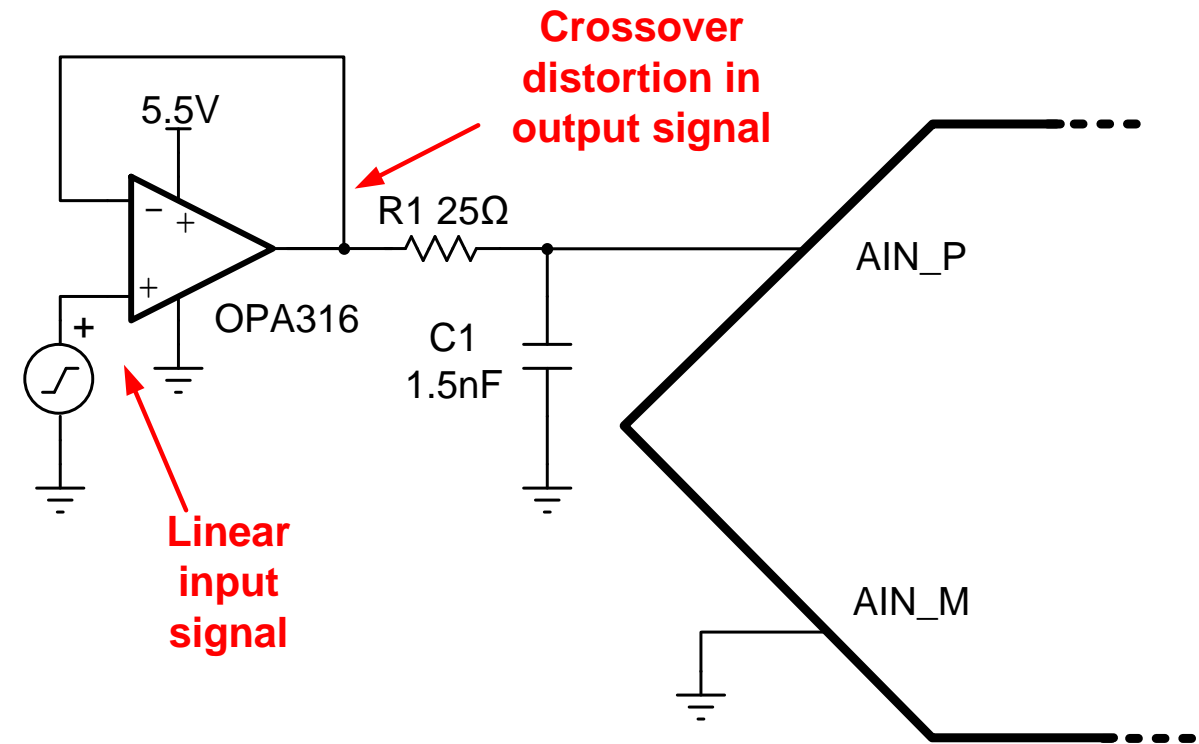
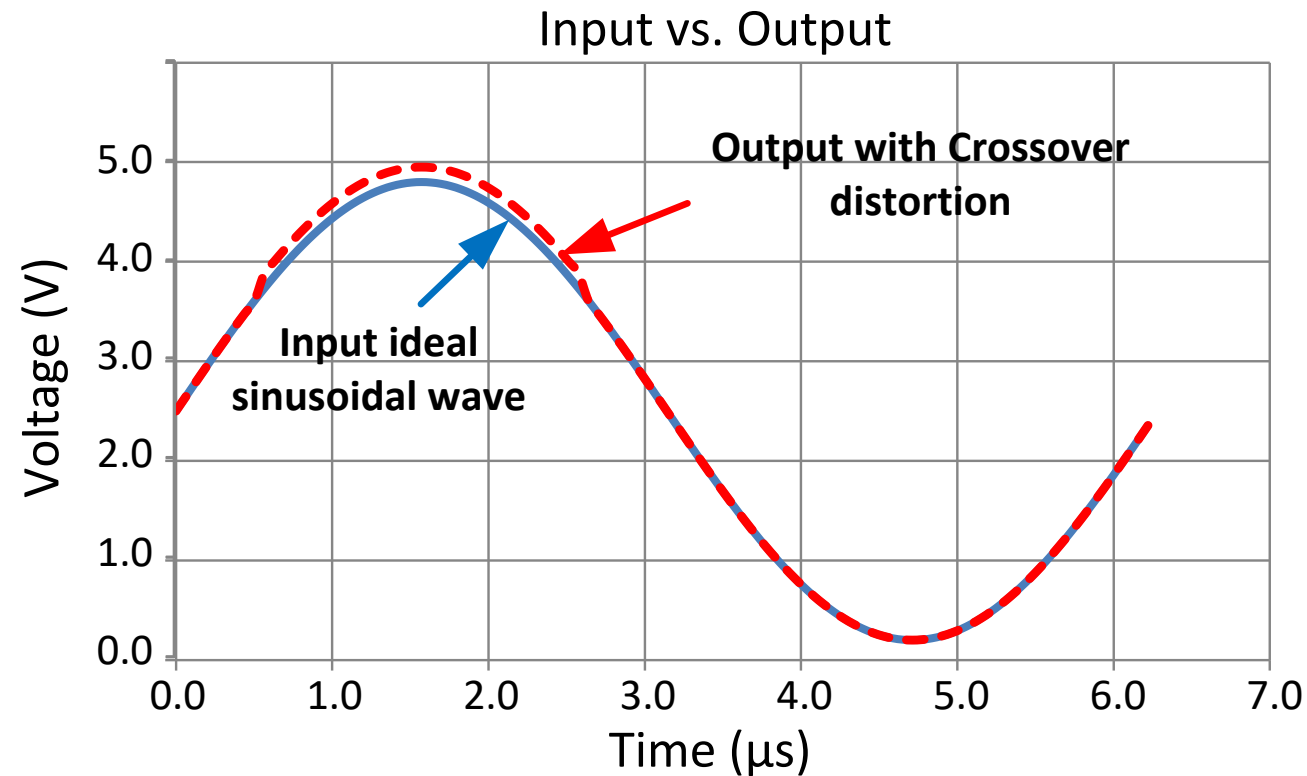
PARAMETER OPA625	TEST CONDITION	MIN	TYP	MAX	UNIT
INPUT VOLTAGE					
Common-mode voltage range	V_{cm}	(V-)		(V+) - 1.15	V
OUTPUT					
Voltage swing from both rails	V_o	$R_L = 10k\Omega$		20	mV
		$R_L = 600\Omega$		60	
OPEN-LOOP GAIN					
Open-loop gain	A_{OL}	$0.15 < V_o < (V+) - 0.15V, R_L = 10k\Omega$	110	132	dB
		$0.2 < V_o < (V+) - 0.2V, R_L = 600\Omega$	106	128	

Amplifier input range	No V_{cm} limit
Amplifier output range	$0.035 < V_o < 3.265V$
Amplifier Linear Range	$0.15 < V_o < 3.15V$
Worst Case Range	$0.15 < V_o < 3.15V$



Input Crossover Distortion in Rail-to-Rail Inputs

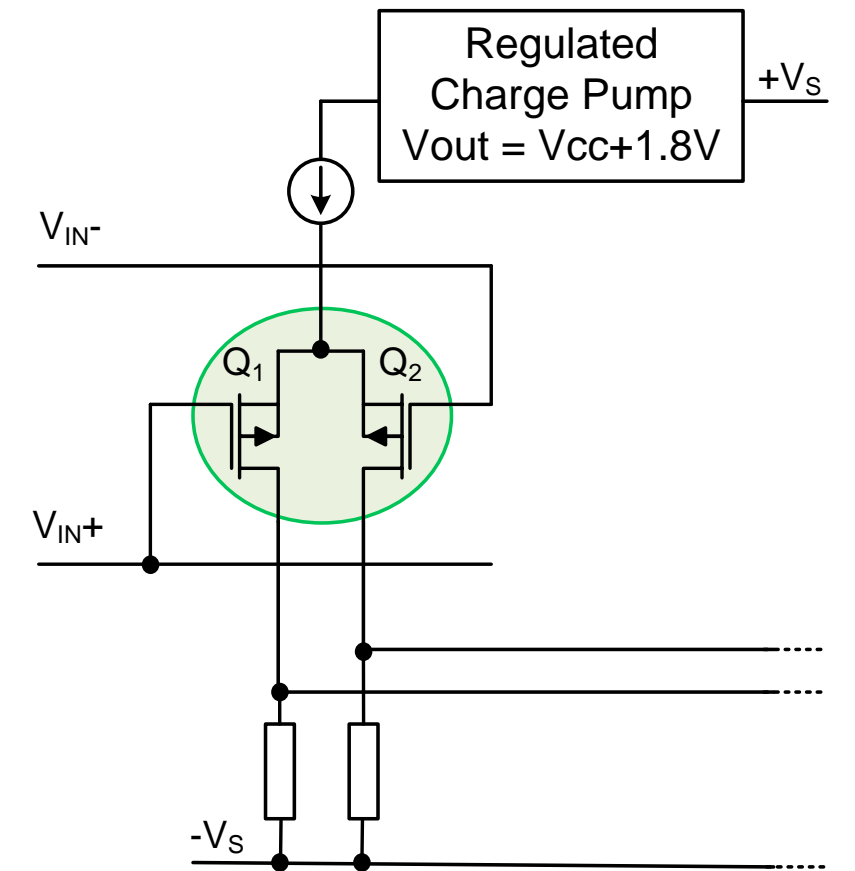
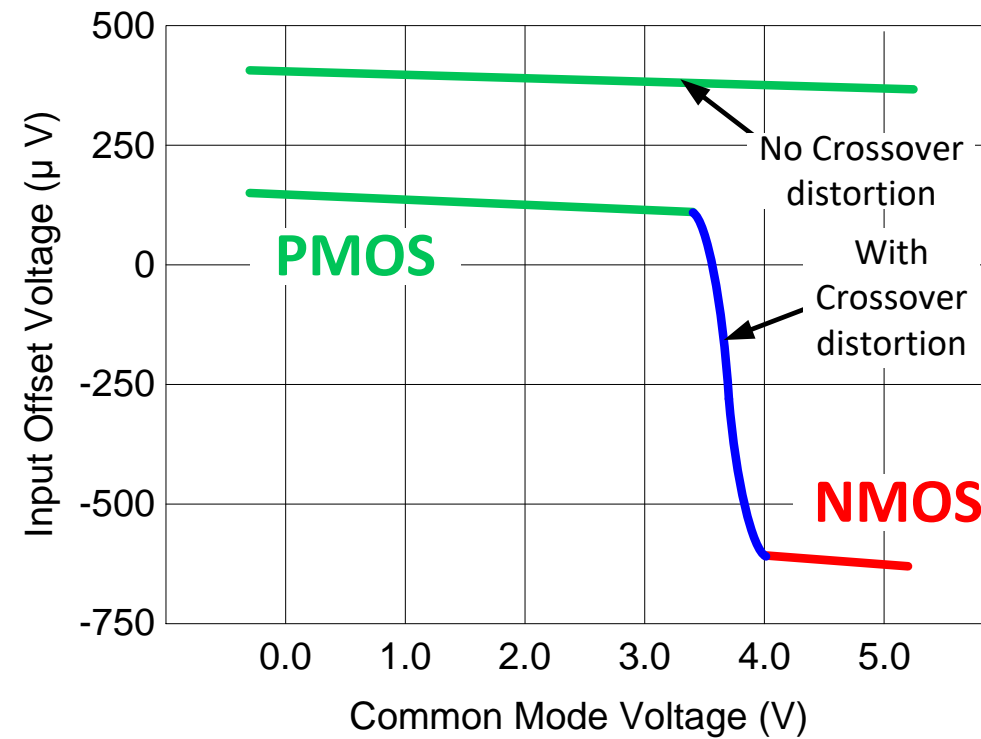
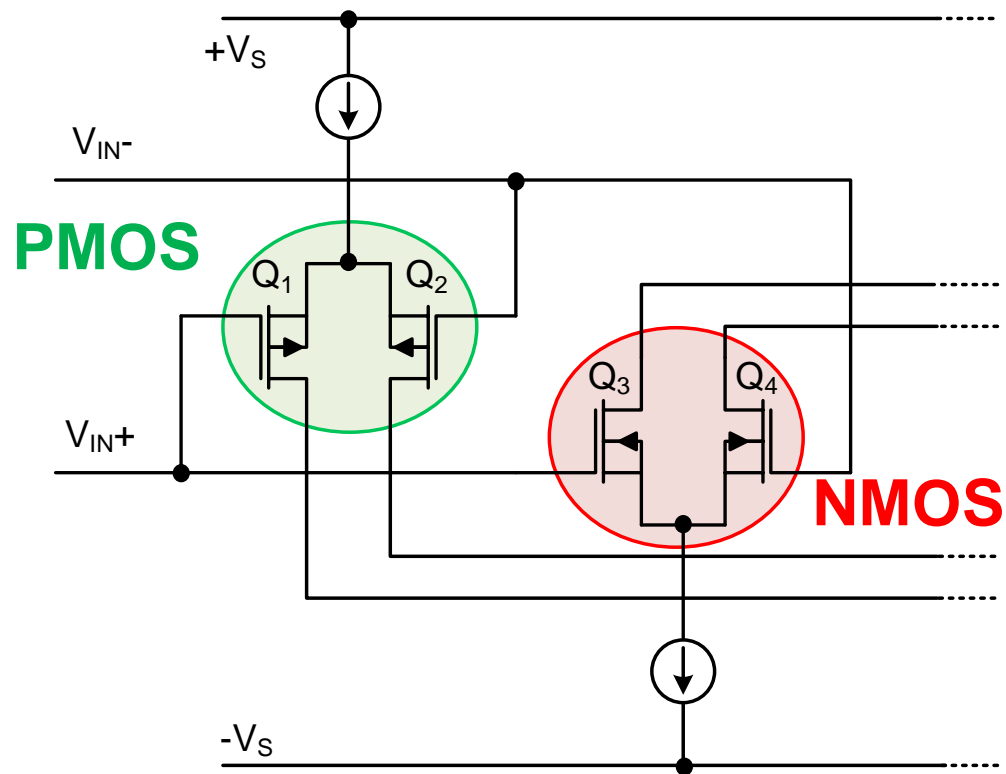
PARAMETER OPA316	TEST CONDITIONS	MIN	TYP	MAX	UNIT	
INPUT VOLTAGE RANGE						
V_{CM}	Common mode voltage range	$TA = -40C$ to $85C$	-0.2		$(V+)+0.1$	V
CMRR	Common mode Rejection	$V_s = 5V,$ $-0.1V < V_{cm} < 3.6V$	76	90		dB
		$V_s = 5V,$ $-0.1V < V_{cm} < 5.2V$	65	80		dB



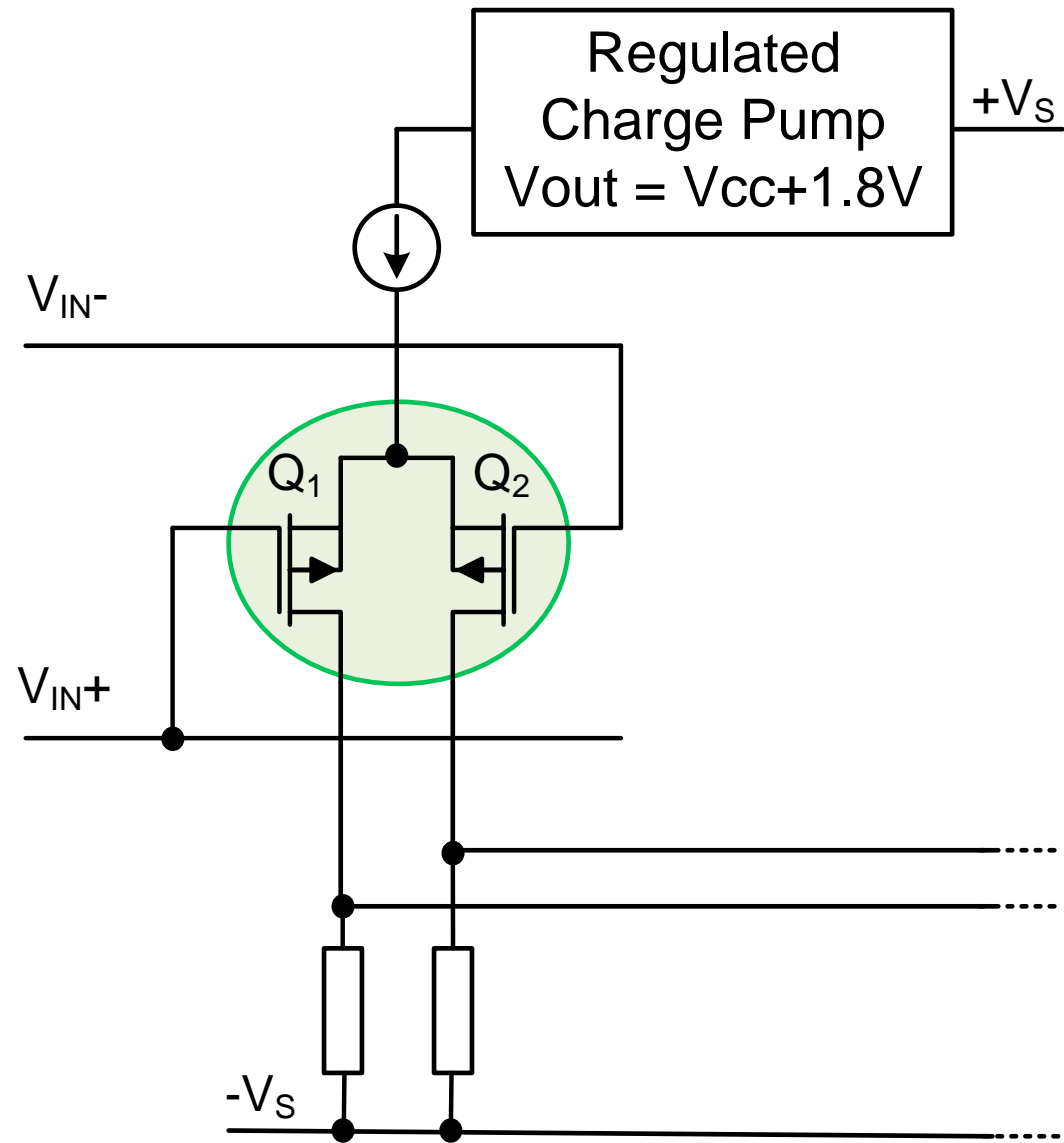
Input Cross-Over distortion vs Zero Cross-Over

PARAMETER:		MIN	TYP	MAX	UNIT
OPA350 – Has Crossover					
INPUT VOLTAGE RANGE					
V_{CM}	Common mode voltage range	(V ₋)-0.1		(V ₊)+0.1	V
CMRR	Common mode Rejection -0.1V < V _{cm} < 5.6V	74	90		dB

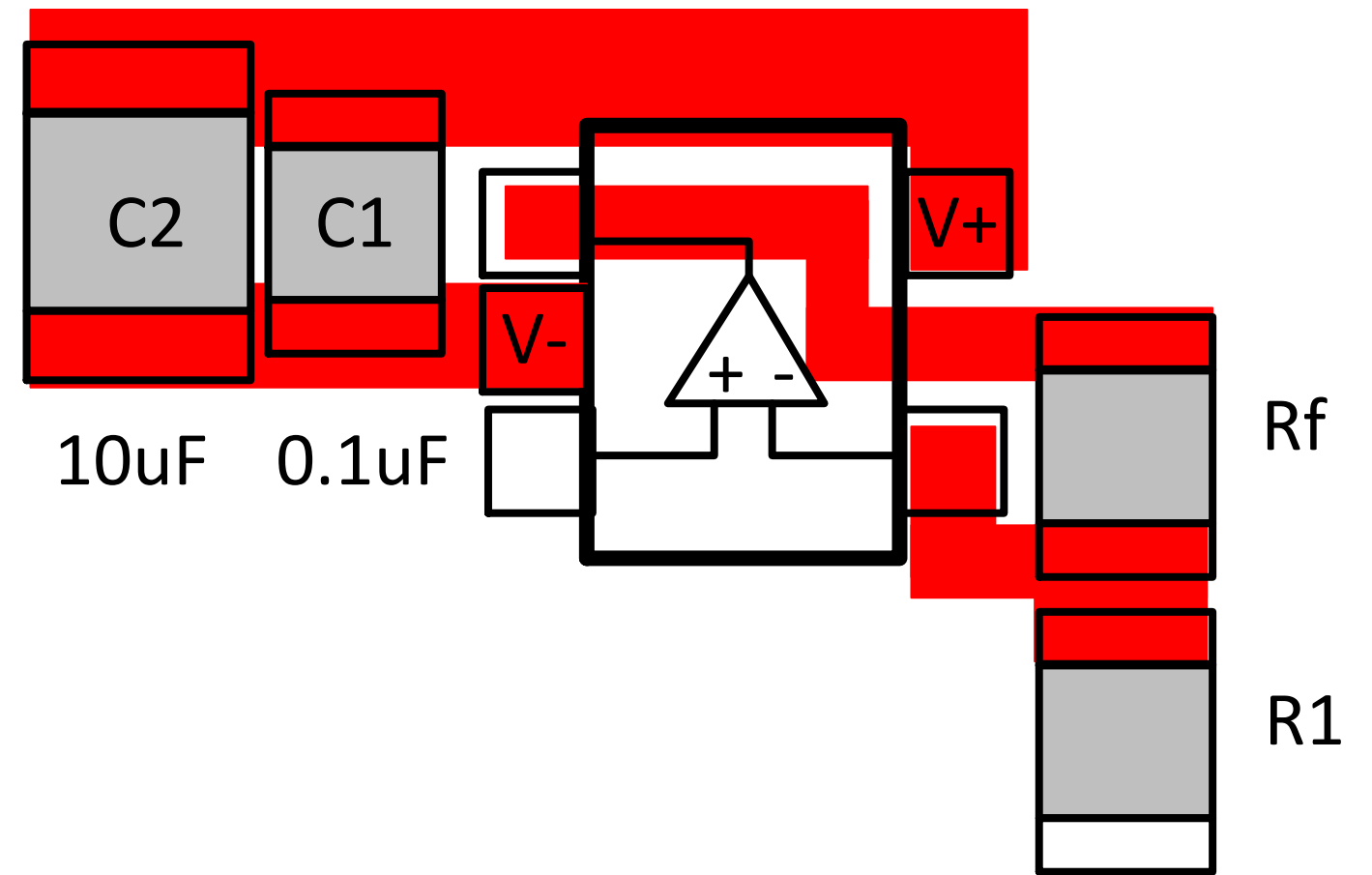
PARAMETER:		MIN	TYP	MAX	UNIT
OPA320 – Zero Cross-Over					
INPUT VOLTAGE RANGE					
V_{CM}	Common mode voltage range	(V ₋)-0.1		(V ₊)+0.1	V
CMRR	Common mode Rejection -0.1V < V _{cm} < 5.6V	100	114		dB



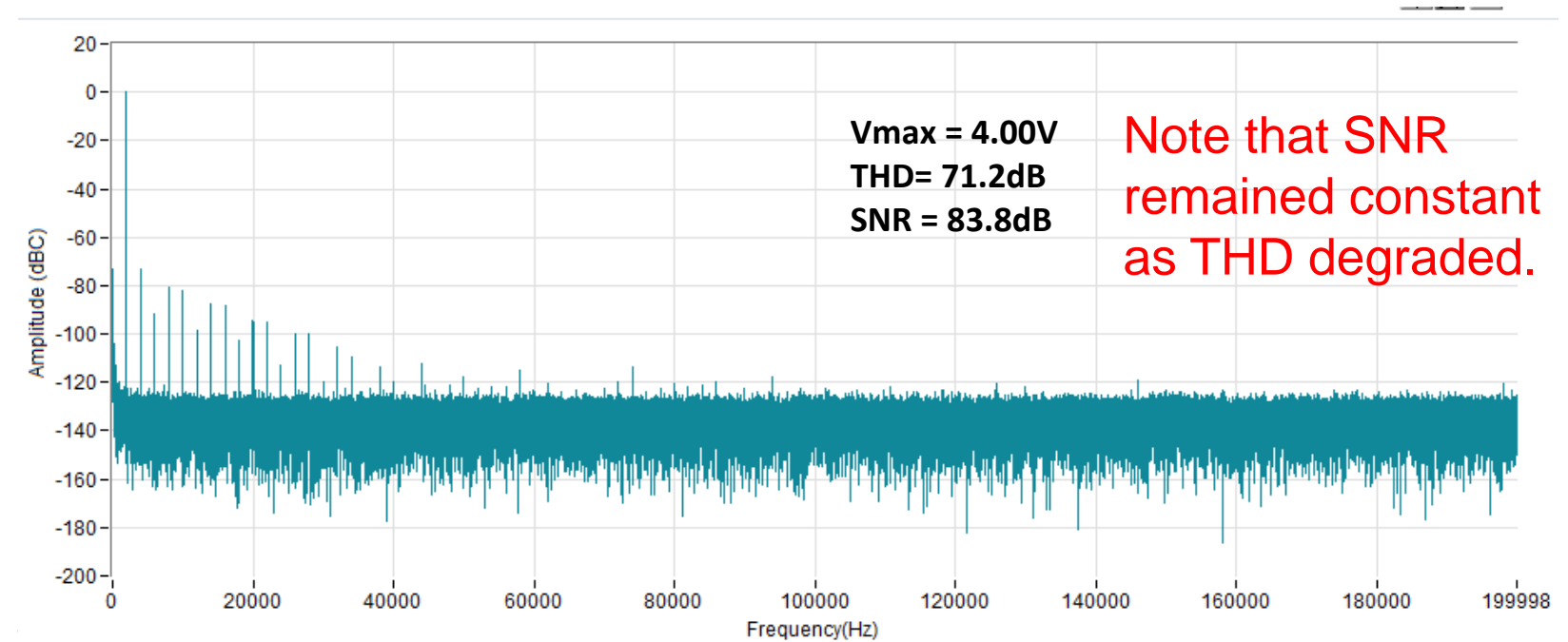
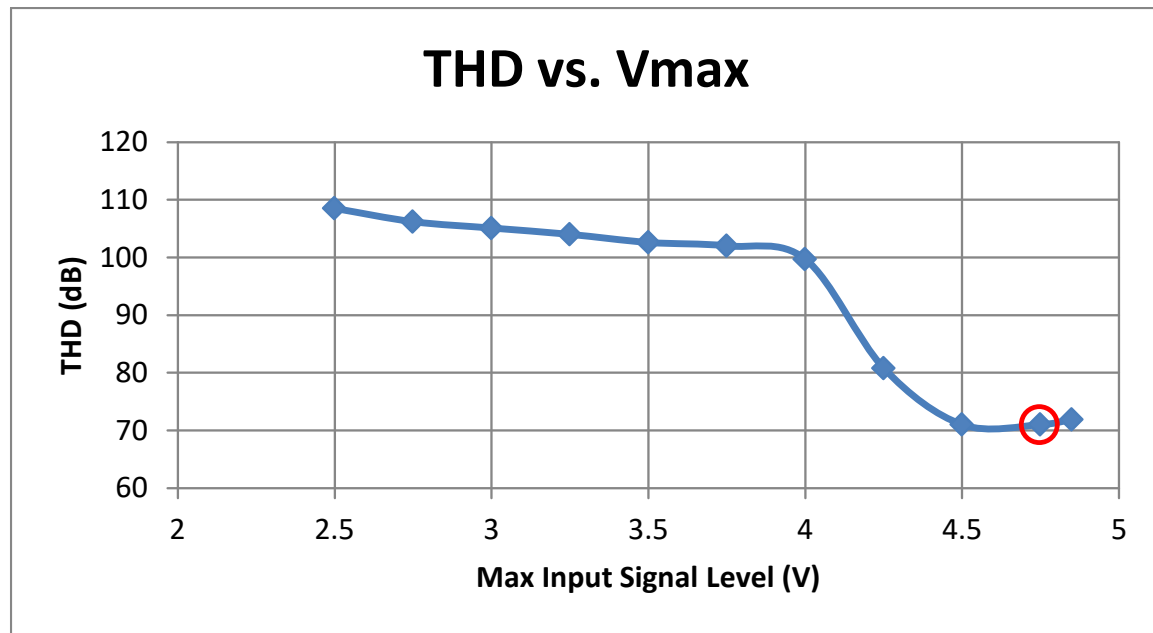
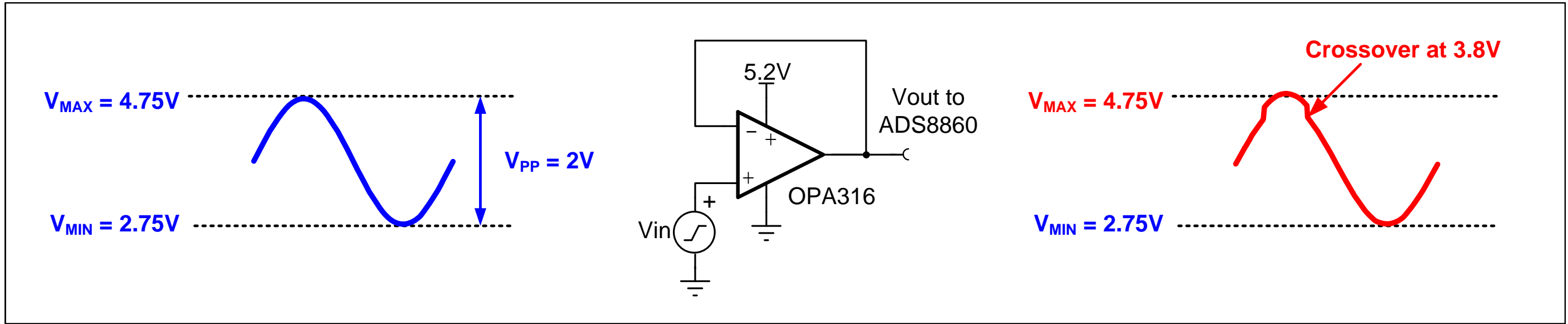
Optimize bypass for internal charge pump op amps



Short direct connections from supply to decoupling



THD vs. Input Crossover Distortion



Finding standard resistors for unusual gains

Main_Pocket_Reference_Calculator.vi

Select the Calculator

- Converters
 - Amplifier
 - Single Supply Amp
 - Find Amplifier Gain 3 Resistors
 - INA Vcm + Dif Filter
 - Find Amplifier Gain
 - Passive
 - Noise
 - Stability
 - PCB
 - Sensor

Calculator

Type: Inverting

Rf: 133

R1: 1.09k

Target Gain (Rf/R1): -0.122

Best Gain: -0.12202

Tolerance: 0.1% E198

Error(%): 0.015

OK Help

<http://www.ti.com/tool/analog-engineer-calc>

Thanks for your time!
Please try the quiz.

Quiz: Determining a SAR ADC's Linear Range when using Operational Amplifiers

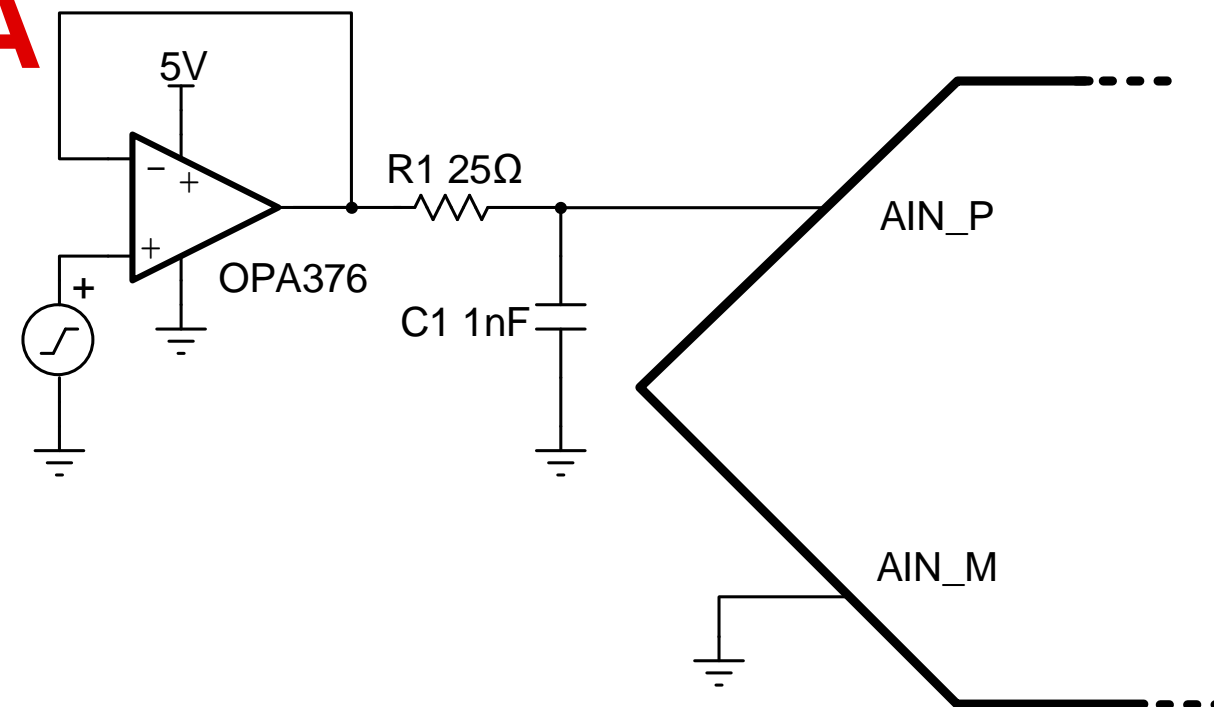
TIPL 4101

TI Precision Labs – ADCs

Created by Art Kay

Quiz: Linear Range ADC + OPA

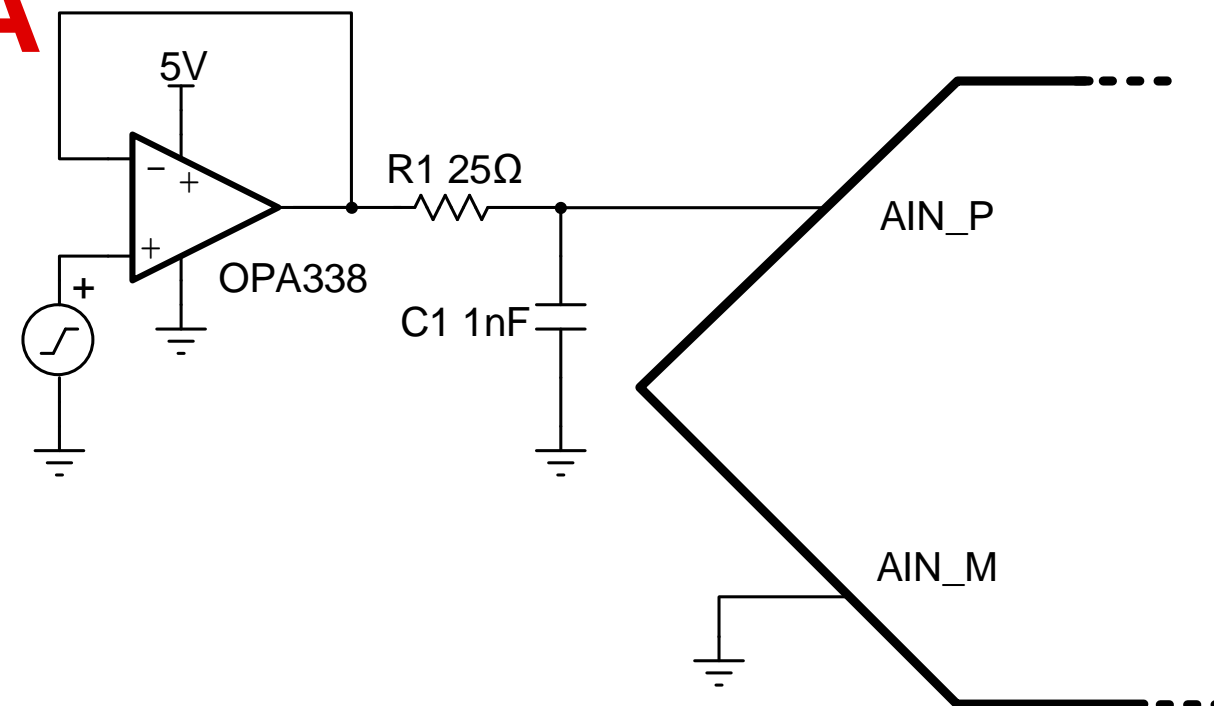
1. What is the worst case output range for the amplifier below.



PARAMETER OPA376		TEST CONDITION	MIN	TYP	MAX	UNIT
INPUT VOLTAGE						
Common-mode voltage range	V_{cm}		$(V-) - 0.1$		$(V+) + 0.1$	V
OUTPUT						
Voltage swing from both rails	V_o	$R_L = 10k\Omega$		10	20	mV
		$R_L = 2k\Omega$		20	30	
OPEN-LOOP GAIN						
Open-loop gain	A_{OL}	$50mV < V_o < (V+) - 50mV, R_L = 10k\Omega$	120	134		dB
		$0.1 < V_o < (V+) - 0.1V, R_L = 2k\Omega$	120	126		

Quiz: Linear Range ADC + OPA

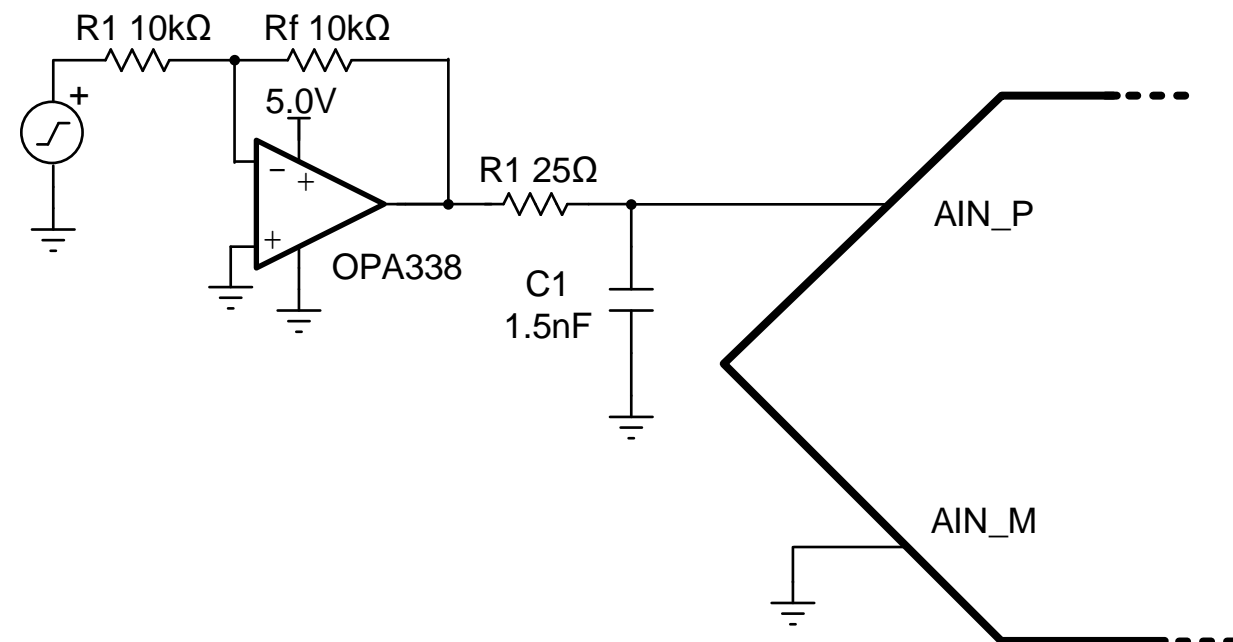
2. What is the worst case output range for the amplifier below.



PARAMETER OPA338		TEST CONDITION	MIN	TYP	MAX	UNIT
INPUT VOLTAGE						
Common-mode voltage range	V_{cm}		$(V-) - 0.2$		$(V+) - 1.2$	V
OUTPUT						
Voltage swing from both rails	V_o	$R_L = 25k\Omega$		40	125	mV
		$R_L = 5k\Omega$		150	500	
OPEN-LOOP GAIN						
Open-loop gain	A_{OL}	$125mV < V_o < (V+) - 125mV, R_L = 25k\Omega$	100	120		dB
		$500mV < V_o < (V+) - 500mV, R_L = 5k\Omega$	100	114		

Quiz: Linear Range ADC + OPA

3. What is the worst case output range for the amplifier below.



PARAMETER OPA338		TEST CONDITION	MIN	TYP	MAX	UNIT
INPUT VOLTAGE						
Common-mode voltage range	V_{cm}		$(V-) - 0.2$		$(V+) - 1.2$	V
OUTPUT						
Voltage swing from both rails	V_o	$R_L = 25k\Omega$		40	125	mV
		$R_L = 5k\Omega$		150	500	
OPEN-LOOP GAIN						
Open-loop gain	A_{OL}	$125mV < V_o < (V+) - 125mV, R_L = 25k\Omega$	100	120		dB
		$500mV < V_o < (V+) - 500mV, R_L = 5k\Omega$	100	114		

Quiz: Linear Range ADC + OPA

4. The amplifier shown below _____.
- a. Would have poor power supply rejection.
 - b. Would show crossover distortion if the input signal is greater than 15Vpk.
 - c. Would not show crossover distortion.
 - d. Would have a low input impedance.

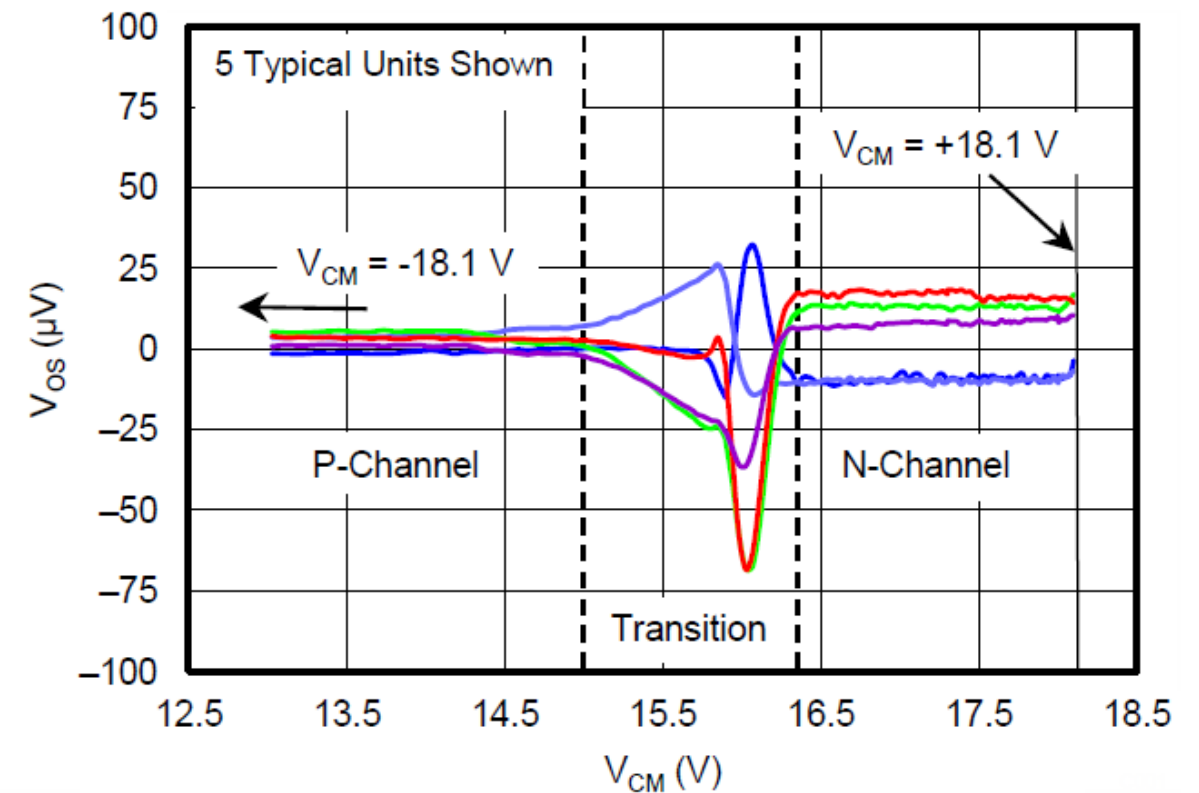
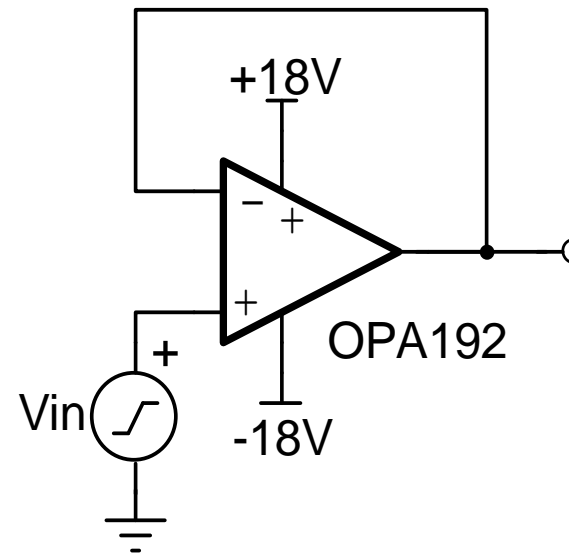


Figure 13: Offset Voltage vs. Common-Mode Voltage

Quiz: Linear Range ADC + OPA

5. The amplifier shown below _____.
- Would have poor power supply rejection.
 - Would show crossover distortion if the input signal is greater than 15Vpk.
 - Would not show crossover distortion.

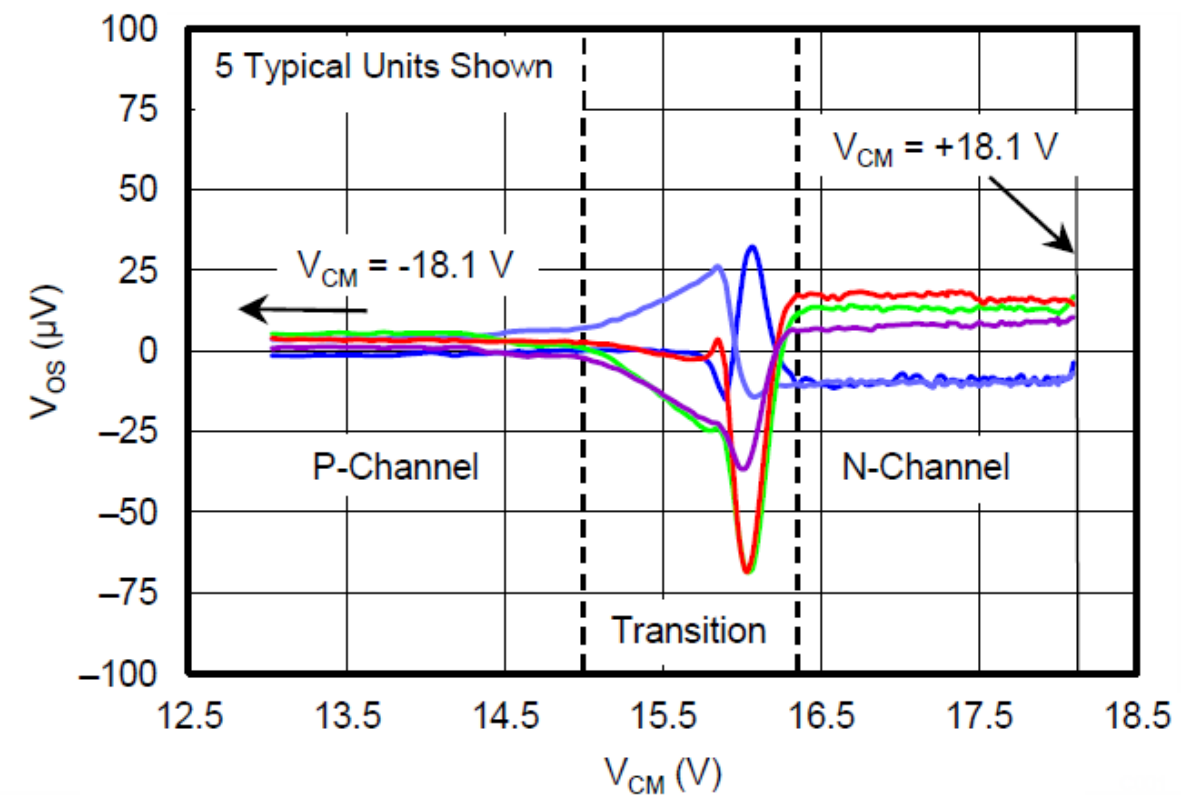
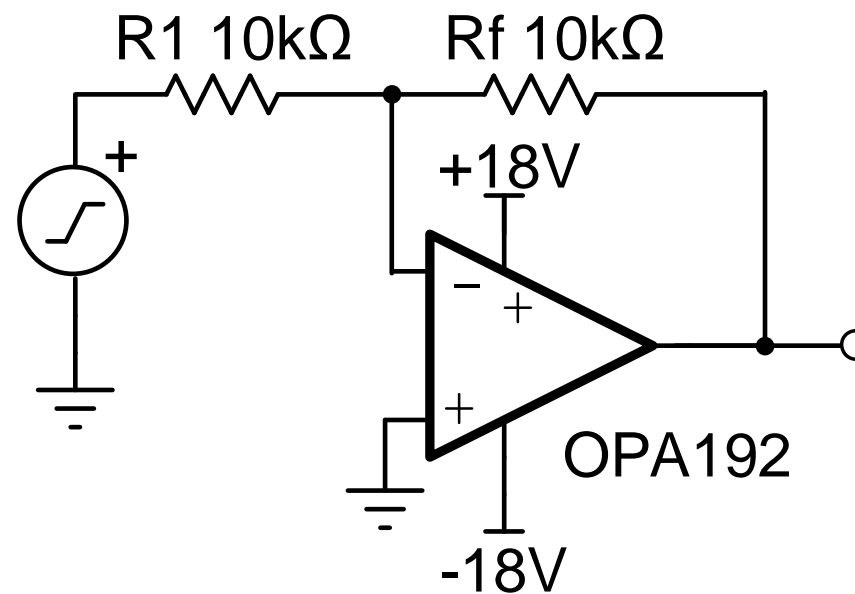
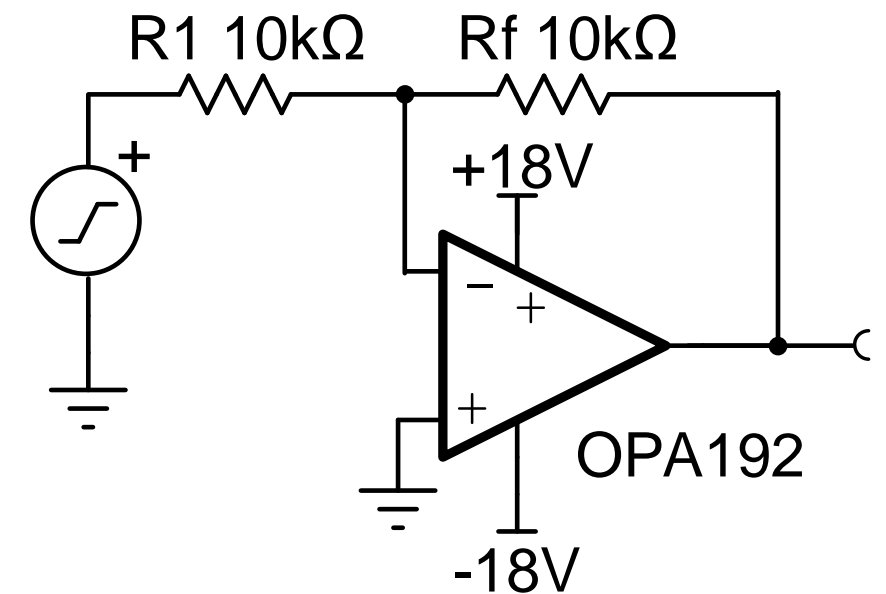


Figure 13: Offset Voltage vs. Common-Mode Voltage

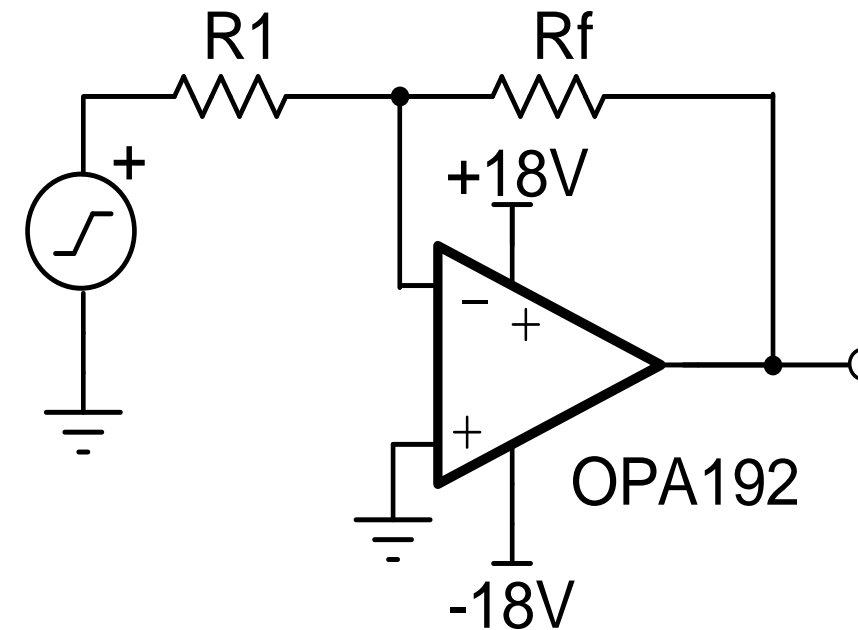
Quiz: Linear Range ADC + OPA

6. Which of the following applies to an inverting amplifier topology.
- a. Gain error is determined by resistor tolerance.
 - b. The input impedance is relatively low ($10\text{k}\Omega$ in this case).
 - c. The circuit will not have crossover distortion issues.
 - d. Common mode rejection would be eliminated
 - e. The output will be loaded by the feedback network ($10\text{k}\Omega$ in this case).
 - f. All the statements apply to the inverting topology.
 - g. None of the statements apply to the inverting topology.



Quiz: Linear Range ADC + OPA

7. Select 0.1% and 1% standard value resistors for the circuit below to set the gain to -0.188.

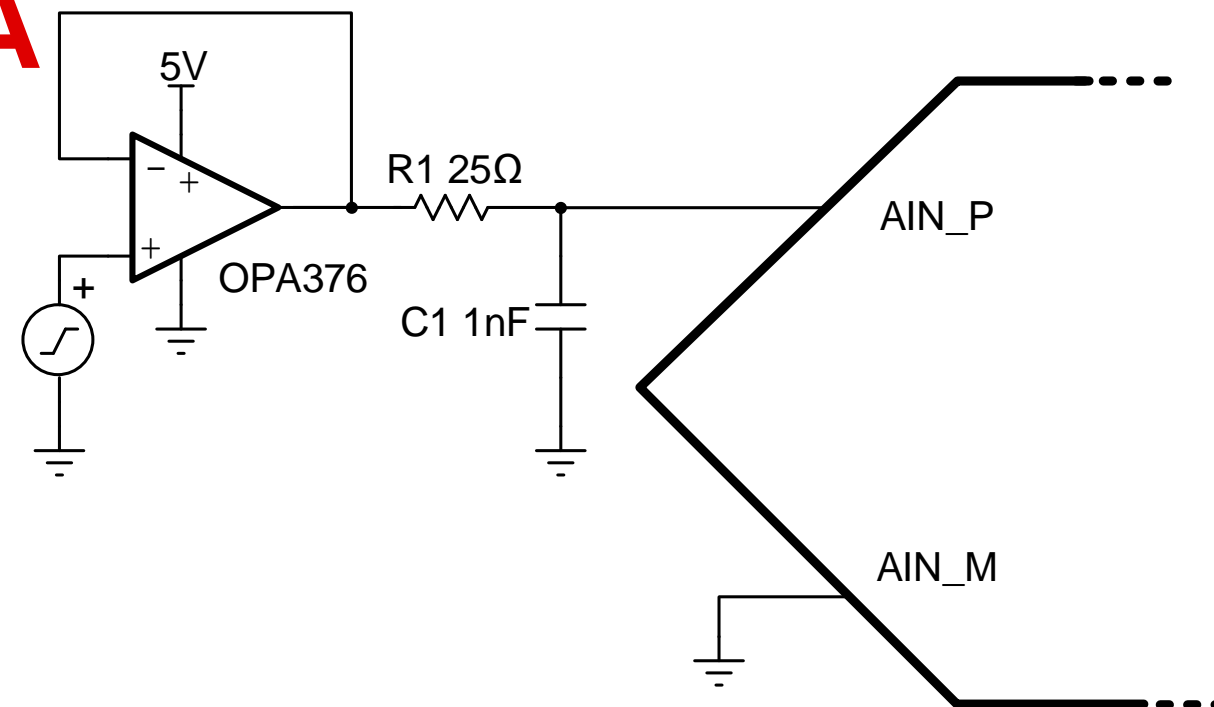


Solutions

Quiz: Linear Range ADC + OPA

1. What is the worst case output range for the amplifier below.

Amplifier input range	$-0.1V < V_{cm} < 5.1V$
Amplifier output range	$0.02 < V_O < 4.98V$
Amplifier Linear Range	$0.05 < V_O < 4.95V$
Worst Case Range	$0.05 < V_O < 4.95V$

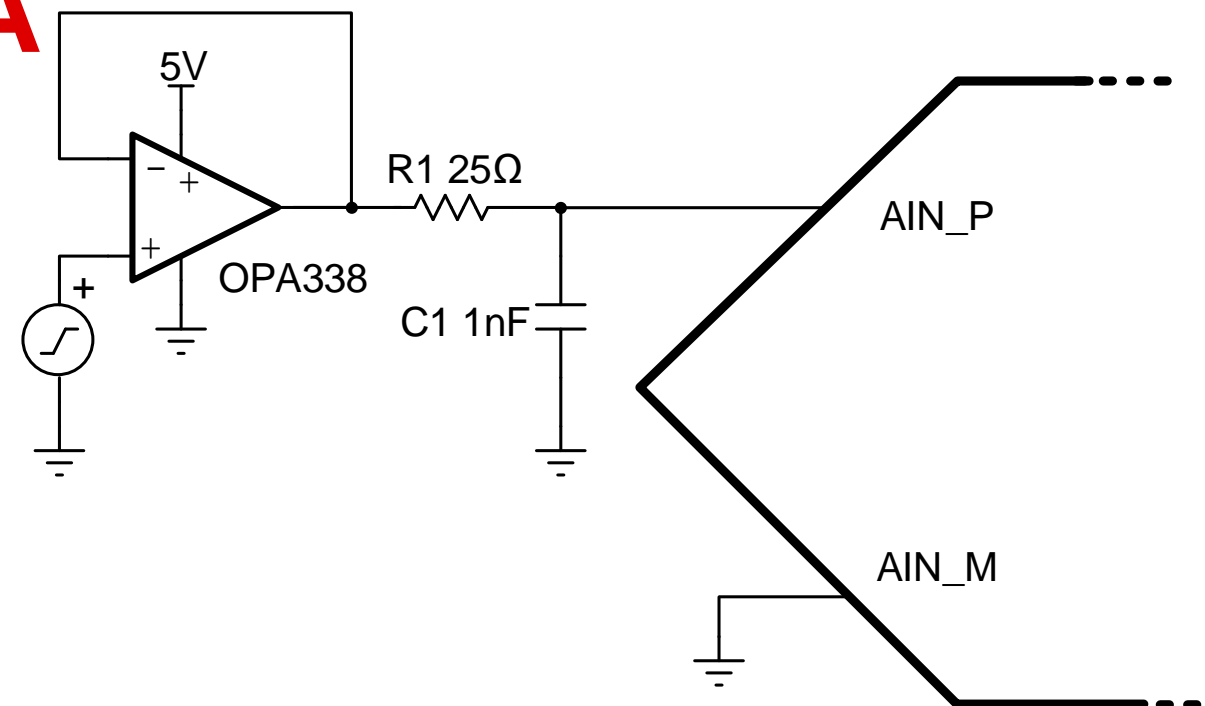


PARAMETER OPA376	TEST CONDITION		MIN	TYP	MAX	UNIT
INPUT VOLTAGE						
Common-mode voltage range	V_{cm}		$(V-) - 0.1$		$(V+) + 0.1$	V
OUTPUT						
Voltage swing from both rails	V_O	$R_L = 10k\Omega$		10	20	mV
		$R_L = 2k\Omega$		20	30	
OPEN-LOOP GAIN						
Open-loop gain	A_{OL}	$50mV < V_o < (V+) - 50mV, R_L = 10k\Omega$	120	134		dB
		$0.1 < V_o < (V+) - 0.1V, R_L = 2k\Omega$	120	126		

Quiz: Linear Range ADC + OPA

2. What is the worst case output range for the amplifier below.

Amplifier input range	$-0.2V < V_{cm} < 3.8V$
Amplifier output range	$0.02 < V_O < 4.875V$
Amplifier Linear Range	$0.125 < V_O < 4.875V$
Worst Case Range	$0.125 < V_O < 3.8V$

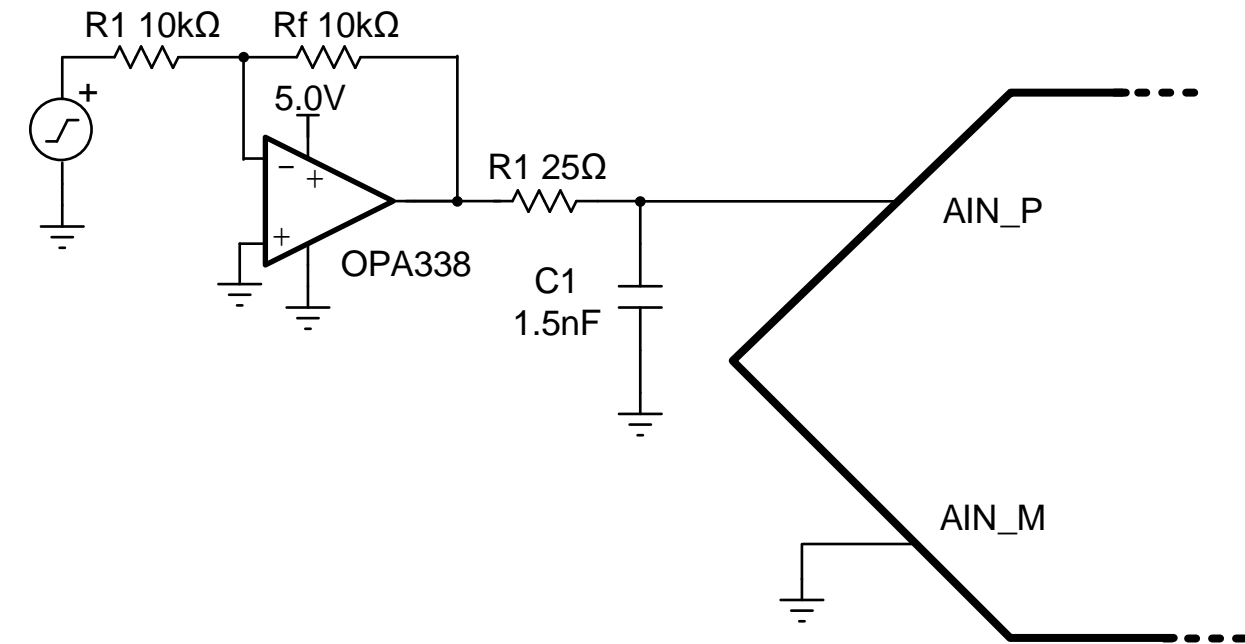


PARAMETER OPA338	TEST CONDITION		MIN	TYP	MAX	UNIT
INPUT VOLTAGE						
Common-mode voltage range	V_{cm}		$(V-) - 0.2$		$(V+) - 1.2$	V
OUTPUT						
Voltage swing from both rails	V_O	$R_L = 25k\Omega$		40	125	mV
		$R_L = 5k\Omega$		150	500	
OPEN-LOOP GAIN						
Open-loop gain	A_{OL}	$125mV < V_o < (V+) - 125mV, R_L = 25k\Omega$	100	120		dB
		$500mV < V_o < (V+) - 500mV, R_L = 5k\Omega$	100	114		

Quiz: Linear Range ADC + OPA

3. What is the worst case output range for the amplifier below.

Amplifier input range	No limit, $V_{cm} = 0V$
Amplifier output range	$0.02 < V_O < 4.875V$
Amplifier Linear Range	$0.125 < V_O < 4.875V$
Worst Case Range	$0.125 < V_O < 4.875V$



PARAMETER OPA338	TEST CONDITION		MIN	TYP	MAX	UNIT
INPUT VOLTAGE						
Common-mode voltage range	V_{cm}		$(V-) - 0.2$		$(V+) - 1.2$	V
OUTPUT						
Voltage swing from both rails	V_O	$R_L = 25k\Omega$		40	125	mV
		$R_L = 5k\Omega$		150	500	
OPEN-LOOP GAIN						
Open-loop gain	A_{OL}	$125mV < V_o < (V+) - 125mV, R_L = 25k\Omega$	100	120		dB
		$500mV < V_o < (V+) - 500mV, R_L = 5k\Omega$	100	114		

Quiz: Linear Range ADC + OPA

4. The amplifier shown below _____.
- a. Would have poor power supply rejection.
 - b. Would show crossover distortion if the input signal is greater than 15Vpk.
 - c. Would not show crossover distortion.
 - d. Would have a low input impedance.

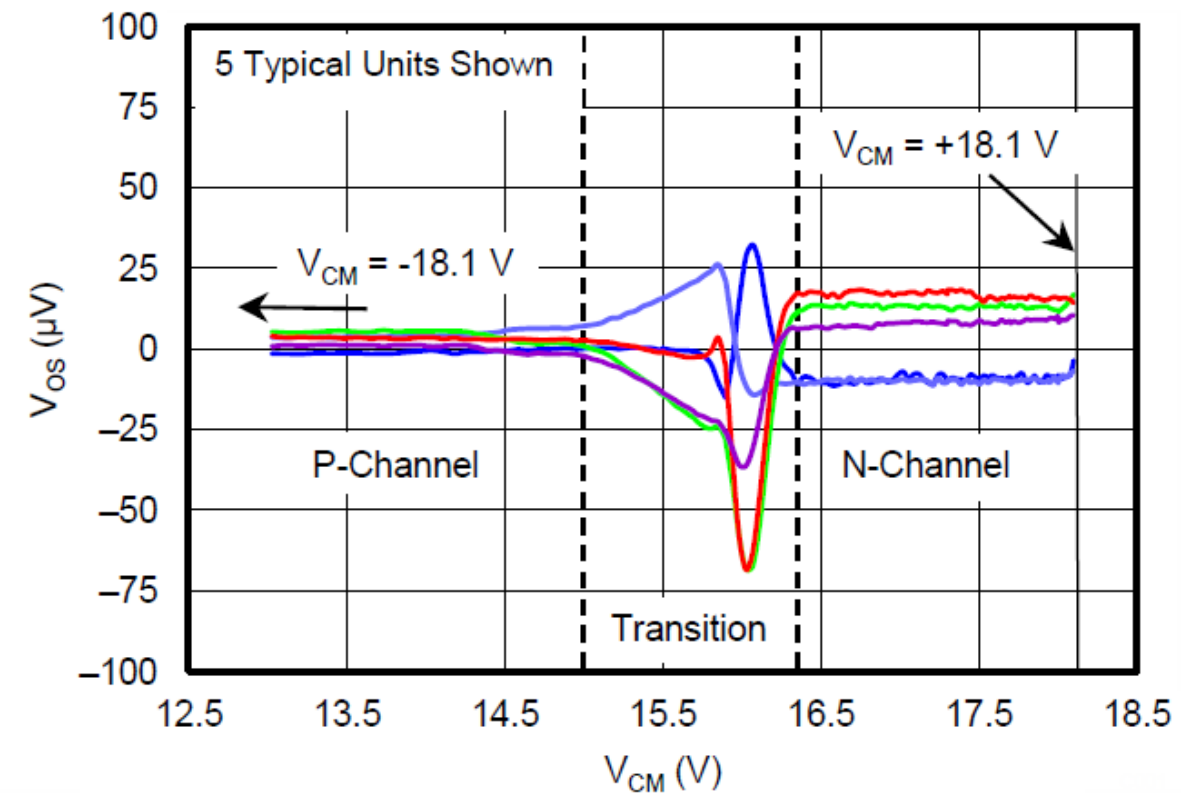
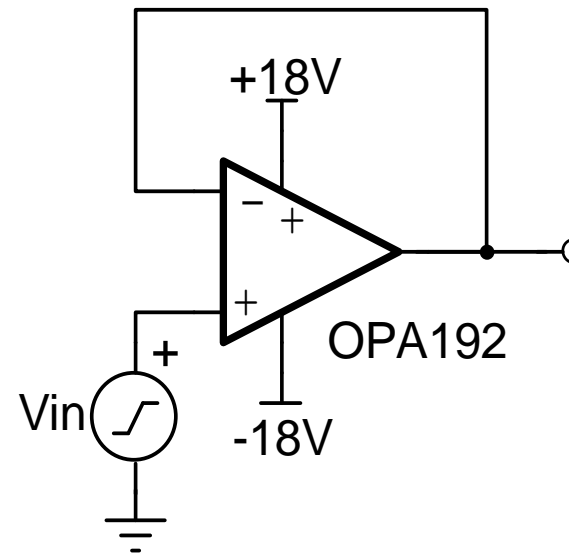


Figure 13: Offset Voltage vs. Common-Mode Voltage

Quiz: Linear Range ADC + OPA

5. The amplifier shown below _____.
- a. Would have poor power supply rejection.
 - b. Would show crossover distortion if the input signal is greater than 15Vpk.
 - c. Would not show crossover distortion.

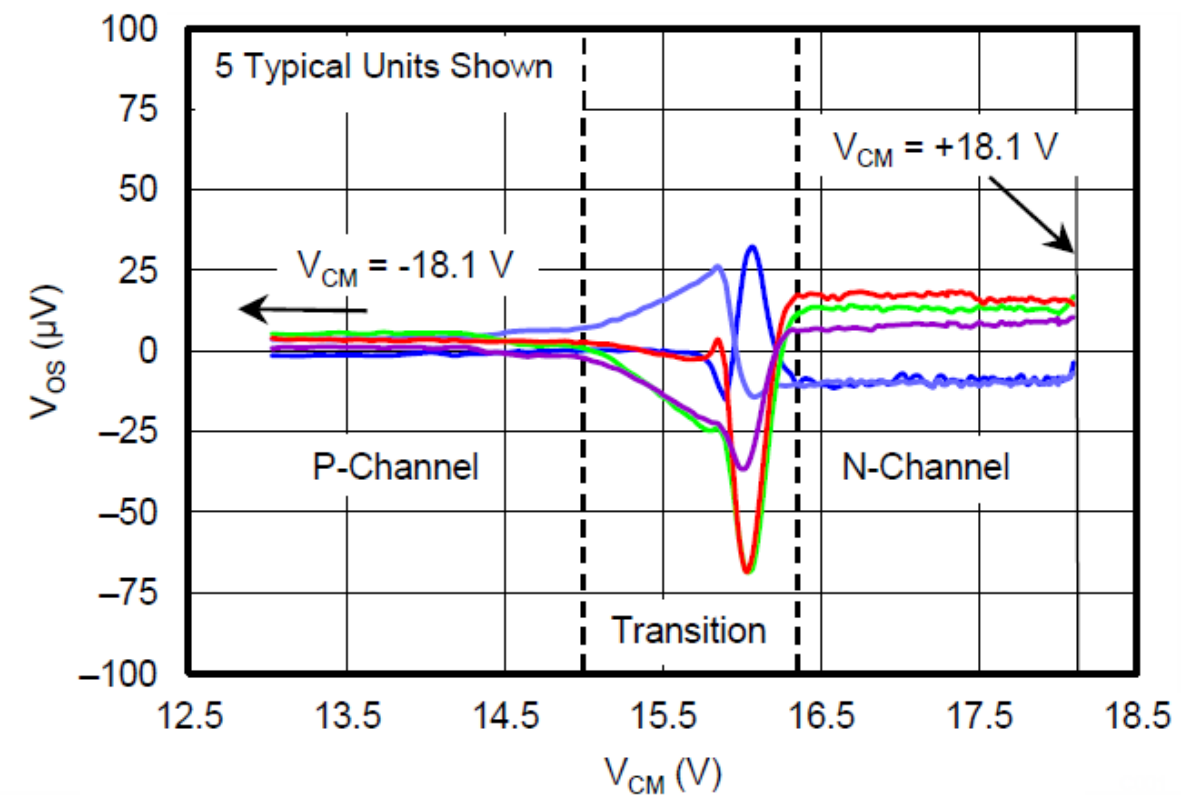
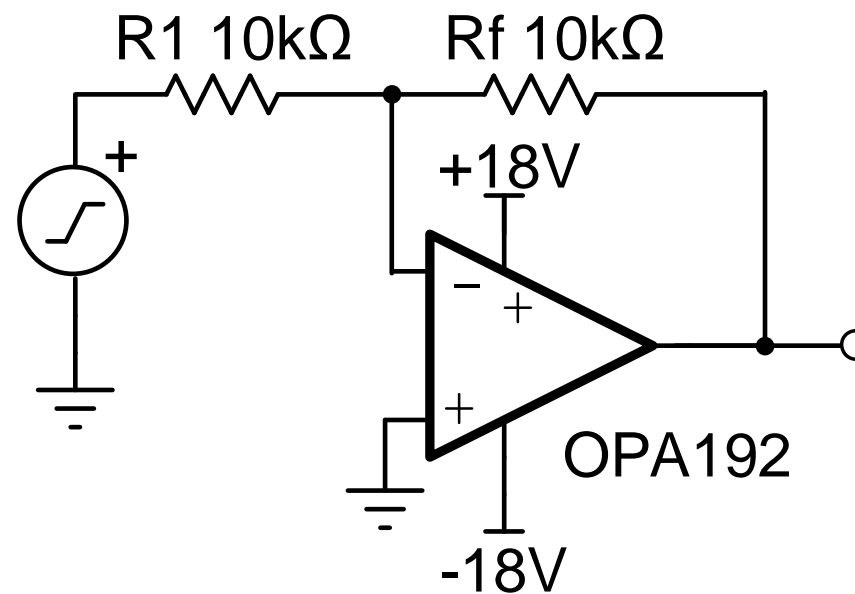
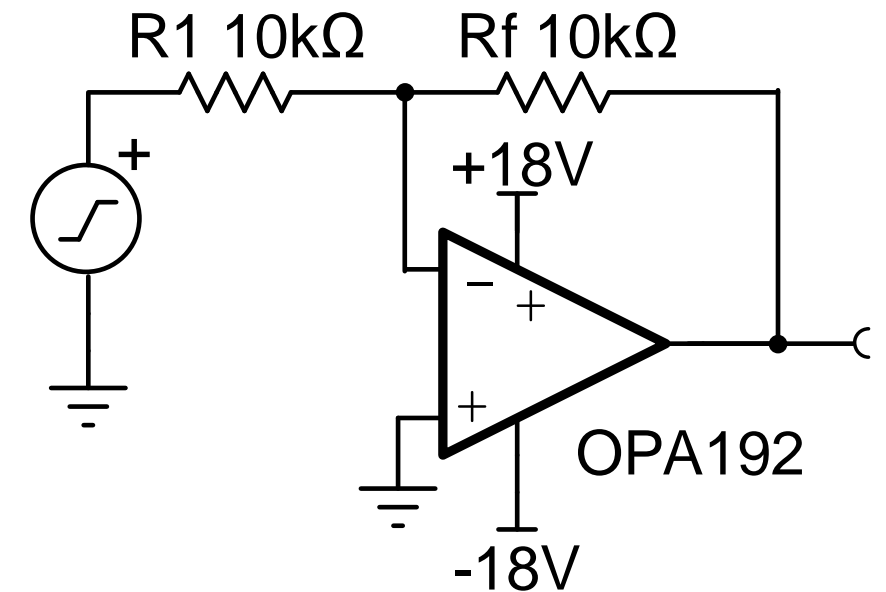


Figure 13: Offset Voltage vs. Common-Mode Voltage

Quiz: Linear Range ADC + OPA

6. Which of the following applies to an inverting amplifier topology.
- a. Gain error is determined by resistor tolerance.
 - b. The input impedance is relatively low ($10\text{k}\Omega$ in this case).
 - c. The circuit will not have crossover distortion issues.
 - d. Would have a low input impedance.
 - e. The output will be loaded by the feedback network ($10\text{k}\Omega$ in this case).
 - f. All the statements apply to the inverting topology.
 - g. None of the statements apply to the inverting topology.



Quiz: Linear Range ADC + OPA

7. Select 0.1% and 1% standard value resistors for the circuit below to set the gain to -0.188. Use the “Analog Engineer’s calculator”.

For 0.1%: $R_f = 2.67\text{k}\Omega$, $R_1 = 14.2\text{k}\Omega$ (or another power of 10 multiple).

For 1.0%: $R_f = 2.21\text{k}\Omega$, $R_1 = 11.8\text{k}\Omega$ (or another power of 10 multiple).

