

DS9638QML RS-422 Dual High Speed Differential Line Driver

Check for Samples: [DS9638QML](#)

FEATURES

- Single 5V Supply
- Schottky Technology
- TTL and CMOS Compatible Inputs
- Output Short Circuit Protection
- Input Clamp Diodes
- Complementary Outputs
- Minimum Output Skew (<1.0 ns Typical)
- 50 mA Output Drive Capability for 50Ω Transmission Lines
- Meets EIA RS-422 Specifications
- Propagation Delay of Less than 10 ns
- “Glitchless” Differential Output
- Delay Time Stable with V_{CC} and Temperature

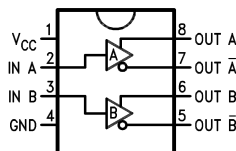
Variations (<2.0 ns typical) (Figure 4)

- Extended Temperature Range

DESCRIPTION

The DS9638 is a Schottky, TTL compatible, dual differential line driver designed specifically to meet the EIA Standard RS-422 specifications. It is designed to provide unipolar differential drive to twisted pair or parallel wire transmission lines. The inputs are TTL compatible. The outputs are similar to totem pole TTL outputs, with active pull-up and pull-down. The device features a short circuit protected active pull-up with low output impedance and is specified to drive 50Ω transmission lines at high speed. The mini-CDIP provides high package density.

Connection Diagram


Figure 1. 8-Lead CDIP, Top View


These devices have limited built-in ESD protection. The leads should be shorted together or the device placed in conductive foam during storage or handling to prevent electrostatic damage to the MOS gates.



Please be aware that an important notice concerning availability, standard warranty, and use in critical applications of Texas Instruments semiconductor products and disclaimers thereto appears at the end of this data sheet.

All trademarks are the property of their respective owners.

Absolute Maximum Ratings⁽¹⁾

Storage Temperature Range	Ceramic DIP	-65°C to +175°C
Lead Temperature	Ceramic DIP (Soldering, 60 sec.)	300°C
Maximum Power Dissipation at 25°C ⁽²⁾	Cavity Package	1300 mW
V _{CC} Lead Potential to Ground		-5V to 7V
Input Voltage		-0.5V to +7V

- (1) "Absolute Maximum Ratings" are those values beyond which the safety of the device cannot be ensured. They are not meant to imply that the devices should be operated at these limits. The tables of "Electrical Characteristics provide conditions for actual device operation.
- (2) Derate cavity package 8.7 mW/°C above 25°C.

Recommended Operating Conditions

DS9638J/883	Min	Max	Units
Supply Voltage (V _{CC})	4.5	5.5	V
Output Current HIGH (I _{OH})		-50	mA
Output Current LOW (I _{OL})		50	mA
Operating Temperature (T _A)	-55	125	°C

Quality Conformance Inspection

MIL-STD-883, Method 5005 - Group A

Subgroup	Description	Temp (°C)
1	Static tests at	+25°C
2	Static tests at	+125°C
3	Static tests at	-55°C
4	Dynamic tests at	+25°C
5	Dynamic tests at	+125°C
6	Dynamic tests at	-55°C
7	Functional tests at	+25°C
8A	Functional tests at	+125°C
8B	Functional tests at	-55°C
9	Switching tests at	+25°C
10	Switching tests at	+125°C
11	Switching tests at	-55°C
12	Setting time at	+25°C
13	Setting time at	+125°C
14	Setting time at	-55°C

DS9638J/883 Electrical Characteristics DC Parameters

Over recommended operating temperature and supply voltage ranges, unless otherwise specified

Symbol	Parameter	Conditions	Notes	Min	Max	Units	Sub-Groups
V_{OL}	Output Voltage Low	$V_{CC} = 4.5V$, $F_{IOL} = 30mA$ for temp, $F_{IOL} = 35mA$ for room	See (1)		0.5	V	1, 2, 3
V_FCD	Input Clamped Voltage	$V_{CC} = 4.5V$, $F_{IFCD} = -18mA$		-1.2		V	1, 2, 3
V_{OHQVT}	V_T , \bar{V}_T Terminated Output Voltage	$V_{CC} = 5.5V$, $R_O = 100 \Omega$		2		V	1, 2, 3
V_{OH}	Logical "1" Output Voltage	$V_{CC} = 4.5V$, $F_{IOH} = -10mA$		2.5		V	1
				2.0			2, 3
V_{OHQ}	Logical "1" Output Voltage	$V_{CC} = 4.5V$, $F_{IOHQ} = -40mA$		2.0		V	1
				1.0			2, 3
V_{OHQBAL}	V_T , \bar{V}_T Output Balance	$V_{CC} = 5.5V$, $R_O = 100 \Omega$		-0.4	0.4	V	1, 2, 3
I_{IL}	Logical "0" Input Current	$V_{CC} = 5.5V$, $F_{VII} = 0.5V$		-200		μA	1, 2, 3
I_{IH}	Logical "1" Input Current	$V_{CC} = 5.5V$, $F_{VIH} = 2.7V$			25	μA	1, 2, 3
I_{IHQH}	Logical "1" Input Current	$V_{CC} = 5.5V$, $F_{VIIHQH} = 5.5V$			50	μA	1, 2, 3
I_{OS}	Output Short Circuit Current	$V_{CC} = 5.5V$, $F_{V_{IOS}} = 0V$		-150	-50	mA	1
				-150	-40		2, 3
I_{CC}	Supply Current	$V_{CC} = 5.5V$, $F_{V_{CCH}} = 5.5V$			65	mA	1
					75		2, 3
I_{OHC}	I_O (off) Output Leakage	$V_{CC} = 5.5V$, $F_{V_{OH}} = 5.5V$			200	μA	1
V_{OS} , \bar{V}_{OS}	Output Offset Voltage		See (2)		3	V	1, 2, 3
V_{OS} , \bar{V}_{OS}	Output Offset Balance		See (3)		.4	V	1, 2, 3
V_{IH}	Input High Voltage		See (4)	2		V	1, 2, 3
V_{IL}	Input Low Voltage		See (4)		0.5	V	1, 2, 3
V_{HB}	I_X Output Leakage	$V_{CC} = 0.0V$, $F_{IOHBQI} = 150 \mu A$		5.55		V	1
I_{CEX}	Output Leakage Current	$V_{CC} = 0.0V$, $F_{V_{CEX}} = 5.5V$			150	μA	2, 3
I_{CEXQI}	Output Leakage Current	$V_{CC} = 0.0V$, $F_{VICEXQ2} = -0.25V$		-150		μA	2, 3

(1) 35mA is more stringent than 30mA.

(2) Specified by design.

 (3) Specified by V_T - \bar{V}_T test.

 (4) Specified by V_{OH} & V_{OL} tests.

DS9638J/883 Electrical Characteristics AC Parameters

Over recommended operating temperature and supply voltage ranges, unless otherwise specified

Symbol	Parameter	Conditions	Notes	Min	Max	Units	Sub-Groups
t_{PLH}	Propagation Delay to High Level	$V_{CC} = 5V$, $R_O = 100 \Omega$, $C_L = 15pF$			20	nS	9
t_{PHL}	Propagation Delay to Low Level	$V_{CC} = 5V$, $R_O = 100 \Omega$, $C_L = 15pF$			20	nS	9
t_F	Fall Time	$V_{CC} = 5V$, 90% - 10%			20	nS	9
t_R	Rise Time	$V_{CC} = 5V$, 10% - 90%			20	nS	9

Equivalent Circuit

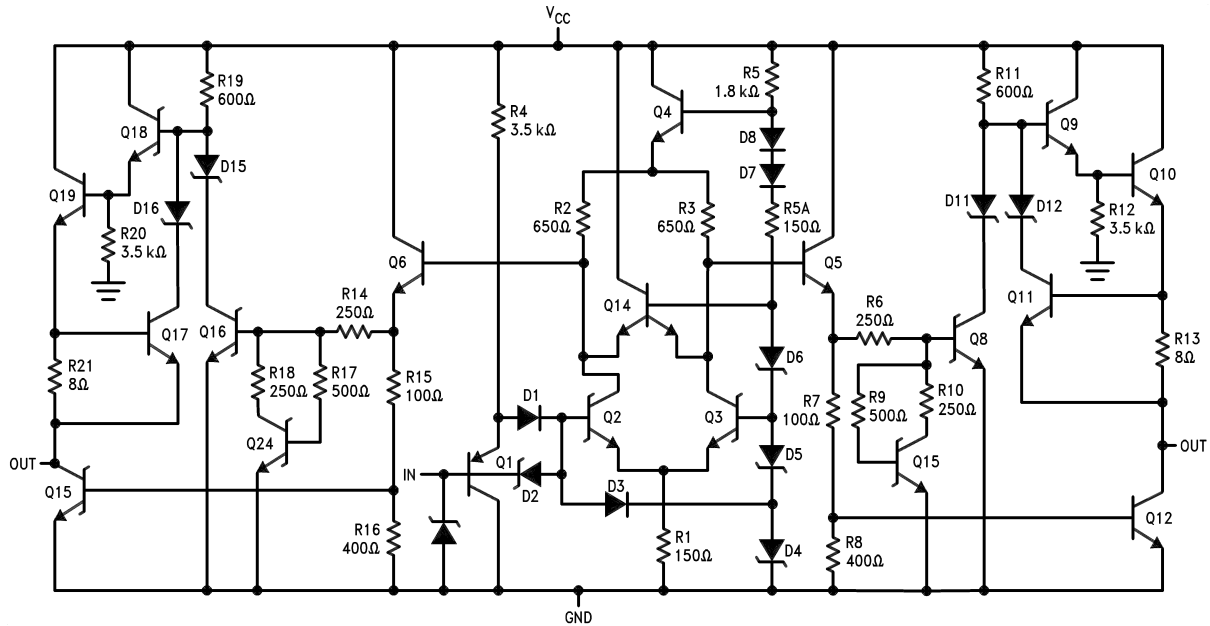


Figure 2.

DC Test Circuit

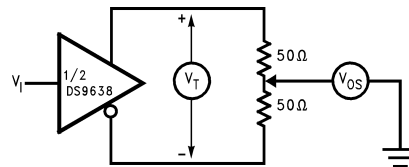
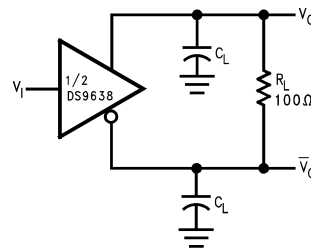


Figure 3. Terminated Output Voltage and Output Balance



The pulse generator has the following characteristics:
 C_L includes probe and jig capacitance.
 PRR = 500 kHz, $t_{WV} = 100$ ns,
 $t_r \leq 5.0$ ns, $Z_O = 50\Omega$.

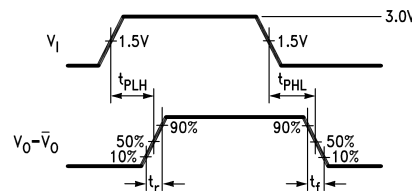


Figure 4. AC Test Circuit and Voltage Waveform

Typical Delay Characteristics

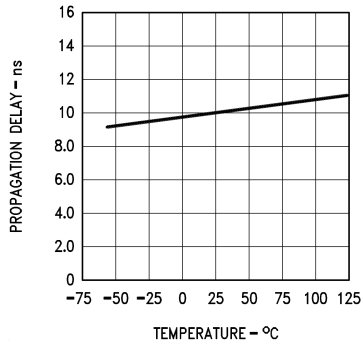


Figure 5.

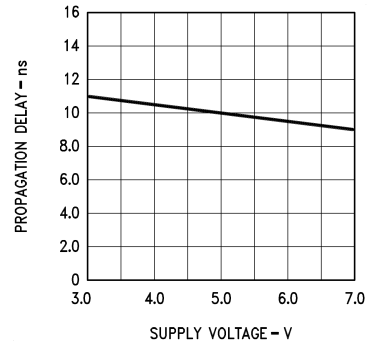


Figure 6.

REVISION HISTORY

Date Released	Revision	Section	Originator	Changes
05/27/08	A	New Release, Corporate Format, Change to DC Electrical Section	Bill Petcher	1 MDS data sheet converted into one Corp. data sheet format. Change made to V_{OH} , V_{OHQ} and I_{OS} . MNDS9638-X, Rev. 0AL data sheet will be Archived.

Changes from Original (April 2013) to Revision A

Page

- Changed layout of National Data Sheet to TI format **5**

PACKAGING INFORMATION

Orderable part number	Status (1)	Material type (2)	Package Pins	Package qty Carrier	RoHS (3)	Lead finish/ Ball material (4)	MSL rating/ Peak reflow (5)	Op temp (°C)	Part marking (6)
5962-8754601PA	Active	Production	CDIP (NAB) 8	40 TUBE	No	SNPB	Level-1-NA-UNLIM	-55 to 125	DS9638J/883 5962-87546 01PA Q ACO 01PA Q >T
DS9638J/883	Active	Production	CDIP (NAB) 8	40 TUBE	No	SNPB	Level-1-NA-UNLIM	-55 to 125	DS9638J/883 5962-87546 01PA Q ACO 01PA Q >T

⁽¹⁾ **Status:** For more details on status, see our [product life cycle](#).

⁽²⁾ **Material type:** When designated, preproduction parts are prototypes/experimental devices, and are not yet approved or released for full production. Testing and final process, including without limitation quality assurance, reliability performance testing, and/or process qualification, may not yet be complete, and this item is subject to further changes or possible discontinuation. If available for ordering, purchases will be subject to an additional waiver at checkout, and are intended for early internal evaluation purposes only. These items are sold without warranties of any kind.

⁽³⁾ **RoHS values:** Yes, No, RoHS Exempt. See the [TI RoHS Statement](#) for additional information and value definition.

⁽⁴⁾ **Lead finish/Ball material:** Parts may have multiple material finish options. Finish options are separated by a vertical ruled line. Lead finish/Ball material values may wrap to two lines if the finish value exceeds the maximum column width.

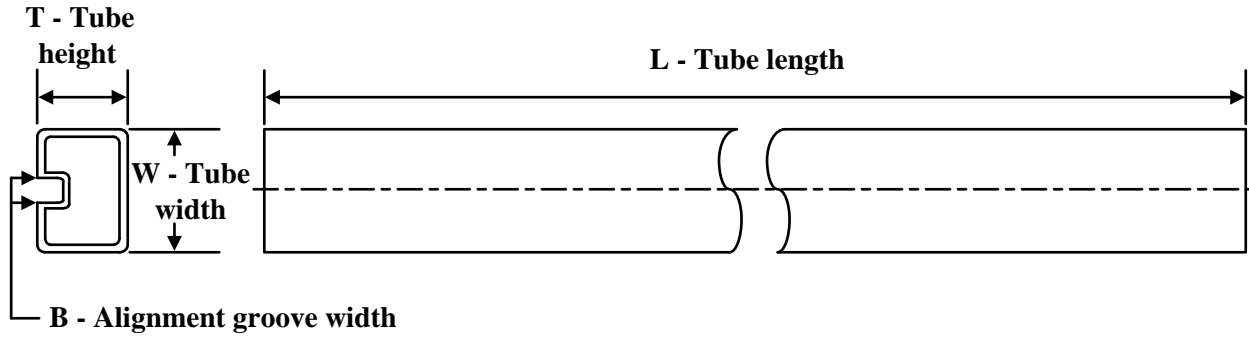
⁽⁵⁾ **MSL rating/Peak reflow:** The moisture sensitivity level ratings and peak solder (reflow) temperatures. In the event that a part has multiple moisture sensitivity ratings, only the lowest level per JEDEC standards is shown. Refer to the shipping label for the actual reflow temperature that will be used to mount the part to the printed circuit board.

⁽⁶⁾ **Part marking:** There may be an additional marking, which relates to the logo, the lot trace code information, or the environmental category of the part.

Multiple part markings will be inside parentheses. Only one part marking contained in parentheses and separated by a "~" will appear on a part. If a line is indented then it is a continuation of the previous line and the two combined represent the entire part marking for that device.

Important Information and Disclaimer: The information provided on this page represents TI's knowledge and belief as of the date that it is provided. TI bases its knowledge and belief on information provided by third parties, and makes no representation or warranty as to the accuracy of such information. Efforts are underway to better integrate information from third parties. TI has taken and continues to take reasonable steps to provide representative and accurate information but may not have conducted destructive testing or chemical analysis on incoming materials and chemicals. TI and TI suppliers consider certain information to be proprietary, and thus CAS numbers and other limited information may not be available for release.

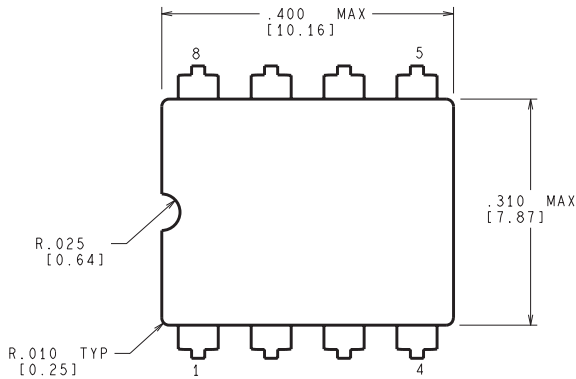
In no event shall TI's liability arising out of such information exceed the total purchase price of the TI part(s) at issue in this document sold by TI to Customer on an annual basis.

TUBE


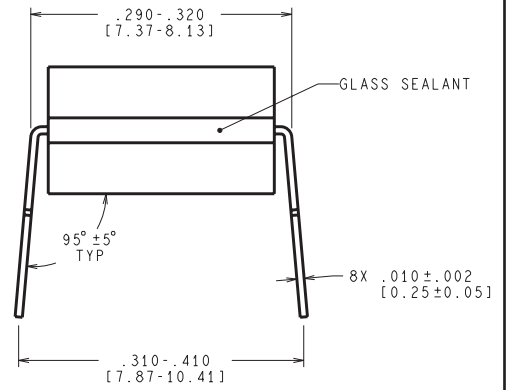
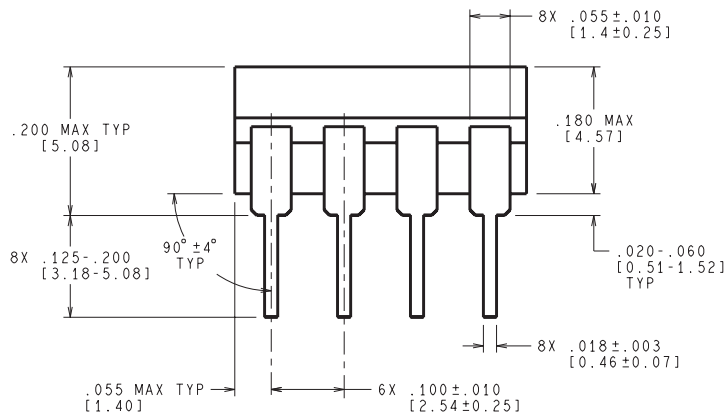
*All dimensions are nominal

Device	Package Name	Package Type	Pins	SPQ	L (mm)	W (mm)	T (μm)	B (mm)
5962-8754601PA	NAB	CDIP	8	40	506.98	15.24	13440	NA
DS9638J/883	NAB	CDIP	8	40	506.98	15.24	13440	NA

NAB0008A



CONTROLLING DIMENSION IS INCH
VALUES IN [] ARE MILLIMETERS



J08A (Rev M)

IMPORTANT NOTICE AND DISCLAIMER

TI PROVIDES TECHNICAL AND RELIABILITY DATA (INCLUDING DATASHEETS), DESIGN RESOURCES (INCLUDING REFERENCE DESIGNS), APPLICATION OR OTHER DESIGN ADVICE, WEB TOOLS, SAFETY INFORMATION, AND OTHER RESOURCES "AS IS" AND WITH ALL FAULTS, AND DISCLAIMS ALL WARRANTIES, EXPRESS AND IMPLIED, INCLUDING WITHOUT LIMITATION ANY IMPLIED WARRANTIES OF MERCHANTABILITY, FITNESS FOR A PARTICULAR PURPOSE OR NON-INFRINGEMENT OF THIRD PARTY INTELLECTUAL PROPERTY RIGHTS.

These resources are intended for skilled developers designing with TI products. You are solely responsible for (1) selecting the appropriate TI products for your application, (2) designing, validating and testing your application, and (3) ensuring your application meets applicable standards, and any other safety, security, regulatory or other requirements.

These resources are subject to change without notice. TI grants you permission to use these resources only for development of an application that uses the TI products described in the resource. Other reproduction and display of these resources is prohibited. No license is granted to any other TI intellectual property right or to any third party intellectual property right. TI disclaims responsibility for, and you fully indemnify TI and its representatives against any claims, damages, costs, losses, and liabilities arising out of your use of these resources.

TI's products are provided subject to [TI's Terms of Sale](#), [TI's General Quality Guidelines](#), or other applicable terms available either on ti.com or provided in conjunction with such TI products. TI's provision of these resources does not expand or otherwise alter TI's applicable warranties or warranty disclaimers for TI products. Unless TI explicitly designates a product as custom or customer-specified, TI products are standard, catalog, general purpose devices.

TI objects to and rejects any additional or different terms you may propose.

Copyright © 2026, Texas Instruments Incorporated

Last updated 10/2025