

ISO602x Low Power with High Bandwidth, Reinforced, Dual-Channel Digital Isolators

1 Features

- [Functional Safety-Capable](#) (Planned)
 - Documentation available to aid IEC 61508 system design
- Supports High Bandwidth and Clock Sensitive Applications
 - Up to 200Mbps data rate
 - Low Propagation Delay: 9ns maximum at 5V, 10ns maximum at 3.3V
 - SPI up to: 27.75MHz at 5V, 25MHz at 3.3V
 - Low Pulse Width Distortion: 1.2ns maximum at 5V, 1.2ns maximum at 3.3V
 - Low Channel to Channel Skew: 1.2ns maximum at 5V, 1.2ns maximum at 3.3V
 - Low Part to Part Skew: 3ns maximum at 5V, 3ns maximum at 3.3V
- Supports High Channel Density Applications:
 - Low Power: 0.4mA typical per channel at 1Mbps and 3.3V
- Robust SiO₂ isolation barrier:
 - High lifetime at 1061V_{RMS} working voltage
 - Wide temperature range: –40°C to 125°C
 - Up to 5000V_{RMS} isolation rating
 - Up to 10.4kV surge capability
 - Up to ±175kV/μs typical CMTI
- Supply range: 1.71V to 5.5V
- [Overvoltage tolerant inputs](#)
- Default output *high* (ISO602xH) and *low* (ISO602xL) options
- Robust electromagnetic compatibility (EMC)
 - System-level ESD, EFT, and surge immunity
 - Low emissions
- Safety-Related Certifications (Planned):
 - DIN EN IEC 60747-17 (VDE 0884-17)
 - UL 1577 and CSA CAS Notice No. 5A
 - IEC 62368-1, IEC 61010-1 and GB 4943.1 certifications

2 Applications

- [Test and Measurement](#)
- [Data Acquisition](#)
- [Factory Automation](#)
- [Medical and Healthcare](#)

3 Description

The ISO602x devices are high performance digital isolators designed for applications requiring up to 5000V_{RMS} isolation rating per UL 1577. The devices are also certified by VDE, TUV, and CQC. See the [Safety-Related Certifications](#) section for details.

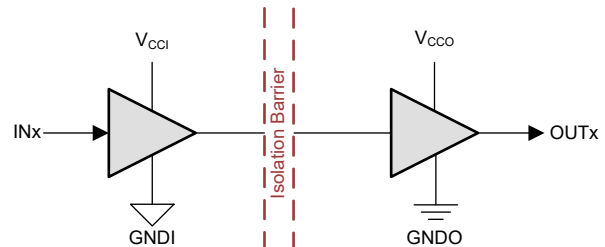
The ISO602x devices provide high data rates at very low supply current with low propagation delay, low jitter and low channel to channel and part to part skew while isolating CMOS or LVCMOS digital I/Os.

Devices in the family have channel configurations for specific numbers of forward and reverse directions across the isolation barrier, default output levels, and packaging. See the [Device Comparison](#) section for details on the device configurations. Two channel device configurations accommodate any two channel design, including UART, CAN, and digital I/O applications. Multiple two channel devices or combinations with four and six channel devices can be used to transmit any number of parallel I/O, SPI chip selects, status or fault signals required by the application.

Package Information

| PART NUMBER ⁽¹⁾ | PACKAGE | PACKAGE SIZE ⁽²⁾ |
|----------------------------|---------------------------|-----------------------------|
| ISO6020H , ISO6020L | SOIC (D-8) ⁽³⁾ | 6mm × 4.9mm |
| ISO6021H , ISO6021L | | |

- (1) For more information, see [Mechanical, Packaging, and Orderable Information](#).
- (2) The package size (length × width) is a nominal value and includes pins, where applicable.
- (3) Please refer to Packaging Information table on the Package Option Addendum page in the [Mechanical, Packaging, and Orderable Information](#) section for Production or Preproduction status for specific device and package.



V_{CCI}=Input supply, V_{CCO}=Output supply
GNDI=Input ground, GNDO=Output ground

Simplified Schematic

Table of Contents

| | | | |
|--|----|--|----|
| 1 Features | 1 | 6.20 Switching Characteristics—1.8V Supply..... | 22 |
| 2 Applications | 1 | 7 Parameter Measurement Information | 23 |
| 3 Description | 1 | 8 Detailed Description | 24 |
| 4 Device Comparison | 3 | 8.1 Overview..... | 24 |
| 5 Pin Configuration and Functions | 4 | 8.2 Functional Block Diagram..... | 24 |
| 6 Specifications | 5 | 8.3 Feature Description..... | 25 |
| 6.1 Absolute Maximum Ratings..... | 5 | 8.4 Device Functional Modes..... | 25 |
| 6.2 ESD Ratings..... | 5 | 8.5 Device I/O Schematics..... | 26 |
| 6.3 Recommended Operating Conditions..... | 6 | 8.6 Overvoltage Tolerant Input..... | 26 |
| 6.4 Thermal Information..... | 6 | 9 Application and Implementation | 27 |
| 6.5 Power Ratings..... | 7 | 9.1 Application Information..... | 27 |
| 6.6 Insulation Specifications..... | 8 | 9.2 Typical Application..... | 27 |
| 6.7 Safety-Related Certifications..... | 10 | 9.3 Power Supply Recommendations..... | 29 |
| 6.8 Safety Limiting Values..... | 10 | 9.4 Layout..... | 29 |
| 6.9 Electrical Characteristics—5V Supply..... | 11 | 10 Device and Documentation Support | 31 |
| 6.10 Supply Current Characteristics—5V Supply..... | 12 | 10.1 Documentation Support..... | 31 |
| 6.11 Electrical Characteristics—3.3V Supply..... | 13 | 10.2 Receiving Notification of Documentation Updates.. | 31 |
| 6.12 Supply Current Characteristics—3.3V Supply..... | 14 | 10.3 Support Resources..... | 31 |
| 6.13 Electrical Characteristics—2.5V Supply..... | 15 | 10.4 Device Nomenclature..... | 31 |
| 6.14 Supply Current Characteristics—2.5V Supply..... | 16 | 10.5 Trademarks..... | 32 |
| 6.15 Electrical Characteristics—1.8V Supply..... | 17 | 10.6 Electrostatic Discharge Caution..... | 32 |
| 6.16 Supply Current Characteristics—1.8V Supply..... | 18 | 10.7 Glossary..... | 32 |
| 6.17 Switching Characteristics—5V Supply..... | 19 | 11 Revision History | 32 |
| 6.18 Switching Characteristics—3.3V Supply..... | 20 | 12 Mechanical, Packaging, and Orderable Information | 32 |
| 6.19 Switching Characteristics—2.5V Supply..... | 21 | | |

4 Device Comparison

Table 4-1. Device Comparison Table

| DEVICE NAME | TOTAL CHANNELS | REVERSE CHANNELS | DEFAULT OUTPUT | PACKAGE | CREEPAGE & CLEARANCE | VDE RATING | UL V _{iso} |
|-------------|----------------|------------------|----------------|------------|----------------------|------------|----------------------|
| ISO6020HDR | 2 | 0 | HIGH | SOIC (D-8) | >4mm | Reinforced | 3000V _{RMS} |
| ISO6020LDR | | | LOW | | | | |
| ISO6021HDR | 1 | HIGH | | | | | |
| ISO6021LDR | | LOW | | | | | |

ISO60 **Xx** **Y** PKG R

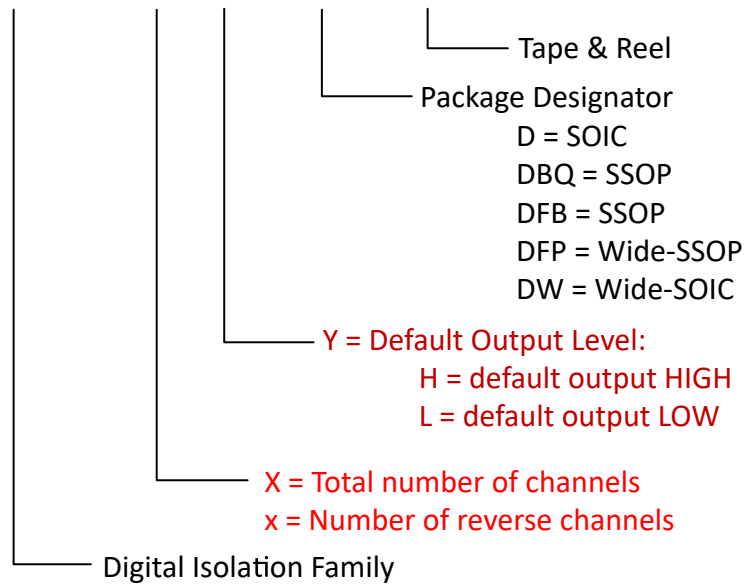


Figure 4-1. Device Nomenclature

5 Pin Configuration and Functions

Pin Configuration for SOIC (D-8)

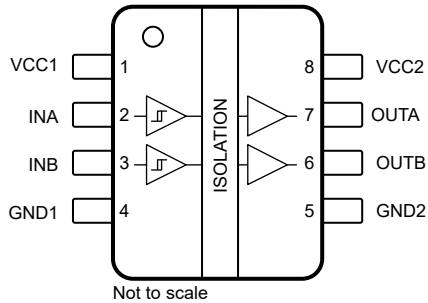


Figure 5-1. ISO6020H and ISO6020L Top View

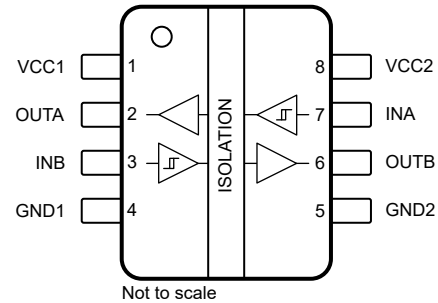


Figure 5-2. ISO6021H and ISO6021L Top View

Table 5-1. Pin Functions

| NAME | PIN | | Type ⁽¹⁾ | DESCRIPTION |
|-----------|------------------------|------------------------|---------------------|---------------------------------|
| | ISO6020H , ISO6020L | ISO6021H , ISO6021L | | |
| GND1 | 4 | 4 | — | Ground connection for V_{CC1} |
| GND2 | 5 | 5 | — | Ground connection for V_{CC2} |
| INA | 2 | 7 | I | Input, channel A |
| INB | 3 | 3 | I | Input, channel B |
| OUTA | 7 | 2 | O | Output, channel A |
| OUTB | 6 | 6 | O | Output, channel B |
| V_{CC1} | 1 | 1 | — | Power supply, V_{CC1} |
| V_{CC2} | 8 | 8 | — | Power supply, V_{CC2} |

(1) I = Input, O = Output

6 Specifications

6.1 Absolute Maximum Ratings

See⁽¹⁾

| | | MIN | MAX | UNIT |
|-------------------------------|--|------|---------------------------------------|------|
| Supply voltage ⁽²⁾ | V _{CC1} to GND1 | -0.5 | 6 | V |
| | V _{CC2} to GND2 | -0.5 | 6 | |
| Digital Input Voltage | IN _x to GND _x | -0.5 | 6 | V |
| Digital Output Voltage | OUT _x to GND _x | -0.5 | V _{CCX} + 0.5 ⁽³⁾ | V |
| Digital Output current | I _O | -15 | 15 | mA |
| Temperature | Operating junction temperature, T _J | | 150 | °C |
| | Storage temperature, T _{stg} | -65 | 150 | °C |

- (1) Operation outside the Absolute Maximum Ratings may cause permanent device damage. Absolute Maximum Ratings do not imply functional operation of the device at these or any other conditions beyond those listed under Recommended Operating Conditions. If used outside the Recommended Operating Conditions but within the Absolute Maximum Ratings, the device may not be fully functional, and this may affect device reliability, functionality, performance, and shorten the device lifetime.
- (2) All voltage values except differential I/O bus voltages are with respect to the local ground terminal (GND1 or GND2) and are peak voltage values
- (3) Maximum voltage must not exceed 6V.

6.2 ESD Ratings

| | | VALUE | UNIT |
|--------------------|-------------------------|---|------|
| V _(ESD) | Electrostatic discharge | Human body model (HBM), per ANSI/ESDA/JEDEC JS-001, all pins ⁽¹⁾ | V |
| | | Charged device model (CDM), per JEDEC specification JESD22C101, all pins ⁽²⁾ | |

- (1) JEDEC document JEP155 states that 500V HBM allows safe manufacturing with a standard ESD control process.
- (2) JEDEC document JEP157 states that 250V CDM allows safe manufacturing with a standard ESD control process.

6.3 Recommended Operating Conditions

over operating free-air temperature range (unless otherwise noted)

| | | | MIN | NOM | MAX | UNIT |
|-----------------------------|--|--|-------------------------------------|------|----------------------|------|
| V_{CC_RO} ⁽¹⁾ | Supply Voltage Side 1 and Side 2 (Recommended Operating Range) | $V_{CC1} = 1.8V$ to $5V$ ⁽³⁾ | 1.71 | | 5.5 | V |
| V_{CC_UVLO+} | V_{CC} UVLO threshold when supply voltage is rising | | | 1.52 | 1.70 | V |
| V_{CC_UVLO-} | V_{CC} UVLO threshold when supply voltage is falling | | 1.2 | 1.41 | | |
| $V_{CC_UVLO_HYS}$ | V_{CC} Supply voltage UVLO hysteresis | | 0.075 | 0.09 | | |
| $V_{IH(INx)}$ | Input (INx): High level input voltage | | $0.7 \times V_{CCI}$ ⁽²⁾ | | V_{CCI} | V |
| $V_{IL(INx)}$ | Input (INx): Low level input voltage | | 0 | | $0.3 \times V_{CCI}$ | |
| $V_{IMAX(INx)}$ | Input (INx): maximum input voltage | | 0 | | 5.5 | |
| I_{OH} | Output (OUTx): High level output current | $V_{CCO} = 5V$ ⁽²⁾ | -4 | | | mA |
| | | $V_{CCO} = 3.3V$ ⁽²⁾ | -2 | | | |
| | | $V_{CCO} = 2.5V$ ⁽²⁾ | -1 | | | |
| | | $V_{CCO} = 1.8V$ ⁽²⁾ | -1 | | | |
| I_{OL} | Output (OUTx): Low level output current | $V_{CCO} = 5V$ ⁽²⁾ | | | 4 | mA |
| | | $V_{CCO} = 3.3V$ ⁽²⁾ | | | 2 | |
| | | $V_{CCO} = 2.5V$ ⁽²⁾ | | | 1 | |
| | | $V_{CCO} = 1.8V$ ⁽²⁾ | | | 1 | |
| DR | Data Rate | $2.25V \leq V_{CCx} \leq 5.5V$ and $C_L \leq 15pF$ ⁽⁴⁾ | 0 | | 200 | Mbps |
| | | $1.71V \leq V_{CCx} < 2.25V$ $C_L \leq 10pF$ ⁽⁴⁾ | 0 | | 200 | |
| | | $1.71V \leq V_{CCx} < 2.25V$ and $10pF < C_L \leq 15pF$ ⁽⁴⁾ | 0 | | 150 | |
| T_A | Ambient temperature | | -40 | 25 | 125 | °C |

- (1) V_{CC1} and V_{CC2} can be set independent of one another
- (2) $V_{CCI} =$ Input-side V_{CC} ; $V_{CCO} =$ Output-side V_{CC}
- (3) The channel outputs are in undetermined state when $V_{CC_UVLO-} \leq V_{CC1}$, $V_{CC2} < V_{CC_RO(MIN)}$.
- (4) See [Section 7](#).

6.4 Thermal Information

| PACKAGE | PINS | THERMAL METRIC ⁽¹⁾ | | | | | | UNIT |
|----------|------|-------------------------------|----------------------|-----------------|-------------|-------------|----------------------|------|
| | | $R_{\theta JA}$ | $R_{\theta JC(top)}$ | $R_{\theta JB}$ | Ψ_{JT} | Ψ_{JB} | $R_{\theta JC(bot)}$ | |
| D (SOIC) | 8 | 123.8 | 62.9 | 70.6 | 23.4 | 69.7 | NA | °C/W |

- (1) For more information about traditional and new thermal metrics, see the [Semiconductor and IC Package Thermal Metrics](#) application note.

6.5 Power Ratings

| PARAMETER | | TEST CONDITIONS | MIN | TYP | MAX | UNIT |
|--|--|--|-----|-----|--------|------|
| ISO6020d (d = H for default high and d = L for default low) | | | | | | |
| P _D | Maximum power dissipation (both sides) | V _{CC1} = V _{CC2} = 5.5V, T _J = 150°C, C _L = 15pF, Input a 100MHz 50% duty cycle square wave | | | 179.36 | mW |
| P _{D1} | Maximum power dissipation (side-1) | | | | 42.79 | mW |
| P _{D2} | Maximum power dissipation (side-2) | | | | 136.57 | mW |
| ISO6021d (d = H for default high and d = L for default low) | | | | | | |
| P _D | Maximum power dissipation (both sides) | V _{CC1} = V _{CC2} = 5.5V, T _J = 150°C, C _L = 15pF, Input a 100MHz 50% duty cycle square wave | | | 179.48 | mW |
| P _{D1} | Maximum power dissipation (side-1) | | | | 89.84 | mW |
| P _{D2} | Maximum power dissipation (side-2) | | | | 89.65 | mW |

6.6 Insulation Specifications

| PARAMETER | | TEST CONDITIONS | PACKAGE | UNIT |
|--|---|--|--------------------|------------------|
| | | | 8D | |
| IEC 60664-1 | | | | |
| CLR | External clearance ⁽¹⁾ | Side 1 to side 2 distance through air | >4 | mm |
| CPG | External creepage ⁽¹⁾ | Side 1 to side 2 distance across package surface | >4 | mm |
| DTI | Distance through the insulation | Minimum internal gap (internal clearance) | >17 | μm |
| CTI | Comparative tracking index | IEC 60112 | > 600 | V |
| | Material Group | According to IEC 60664-1 | I | |
| | Overvoltage category | Rated mains voltage ≤ 150V _{RMS} | I-IV | |
| | | Rated mains voltage ≤ 300V _{RMS} | I-III | |
| | | Rated mains voltage ≤ 600V _{RMS} | n/a | |
| | | Rated mains voltage ≤ 1000V _{RMS} | n/a | |
| DIN EN IEC 60747-17 (VDE 0884-17) | | | | |
| | Suitability | DIN EN IEC 60747-17 (VDE 0884-17) suitability ⁽²⁾ | | |
| V _{IORM} | Maximum repetitive peak isolation voltage | AC voltage (bipolar) | 707 | V _{PK} |
| V _{IOWM} | Maximum isolation working voltage | AC voltage (sine wave); time-dependent dielectric breakdown (TDDB) test. | 500 ⁽⁷⁾ | V _{RMS} |
| | | DC voltage | 707 | V _{DC} |
| V _{IOTM} | Maximum transient isolation voltage | V _{TEST} = V _{IOTM} , t = 60s (qualification); V _{TEST} = 1.2 × V _{IOTM} , t = 1s (100% production) | 4243 | V _{PK} |
| V _{IMP} | Maximum impulse voltage ⁽³⁾ | Tested in air, 1.2/50μs waveform per IEC 62368-1 | 5000 | V _{PK} |
| V _{IOSM} | Maximum surge isolation voltage ⁽⁴⁾ | V _{IOSM} ≥ 1.3 × V _{IMP} ; Tested in oil (qualification test), 1.2/50μs waveform per IEC 62368-1 | 10400 | V _{PK} |
| q _{pd} | Apparent charge ⁽⁵⁾ | Method a, After Input-output safety test subgroup 2/3, V _{ini} = V _{IOTM} , t _{ini} = 60s; V _{pd(m)} = 1.2 × V _{IORM} , t _m = 10s | ≤5 | pC |
| | | Method a, After environmental tests subgroup 1, V _{ini} = V _{IOTM} , t _{ini} = 60s; V _{pd(m)} = 1.6 × V _{IORM} , t _m = 10s | ≤5 | |
| | | Method b: At routine test (100% production); V _{ini} = 1.2 × V _{IOTM} , t _{ini} = 1s; V _{pd(m)} = 1.875 × V _{IORM} , t _m = 1s (method b1) or V _{pd(m)} = V _{ini} , t _m = t _{ini} (method b2) | ≤5 | |
| C _{IO} | Barrier capacitance, input to output ⁽⁶⁾ | V _{IO} = 0.4 × sin(2πft), f = 1MHz | ≅1.1 | pF |
| R _{IO} | Insulation resistance, input to output ⁽⁶⁾ | V _{IO} = 500V, T _A = 25°C | >10 ¹² | Ω |
| | | V _{IO} = 500V, 100°C ≤ T _A ≤ 125°C | >10 ¹¹ | |
| | | V _{IO} = 500V at T _S = 150°C | >10 ⁹ | |
| | Pollution degree | | 2 | |
| | Climatic category | | 40/125/21 | |
| UL 1577 | | | | |
| V _{ISO} | Withstand isolation voltage | V _{TEST} = V _{ISO} , t = 60s (qualification); V _{TEST} = 1.2 × V _{ISO} , t = 1s (100% production) | 3000 | V _{RMS} |

- (1) Creepage and clearance requirements should be applied according to the specific equipment isolation standards of an application. Care should be taken to maintain the creepage and clearance distance of a board design to ensure that the mounting pads of the isolator on the printed-circuit board do not reduce this distance. Creepage and clearance on a printed-circuit board become equal in certain cases. Techniques such as inserting grooves, ribs, or both on a printed circuit board are used to help increase these specifications.
- (2) This digital isolator is suitable for *safe electrical insulation* only within the safety ratings. Compliance with the safety ratings shall be ensured by means of suitable protective circuits.
- (3) Testing is carried out in air to determine the surge immunity of the package.
- (4) Testing is carried out in oil to determine the intrinsic surge immunity of the isolation barrier.
- (5) Apparent charge is electrical discharge caused by a partial discharge (pd).
- (6) All pins on each side of the barrier tied together creating a two-pin device.

- (7) For reinforced isolation use cases the working voltage is package limited to $500V_{RMS}$ for pollution degree 1. $1000V_{RMS}$ per IEC 60664-1 for pollution degree 1, basic isolation use cases. Please refer to IEC 60664-1 or relevant standard for other use cases and pollution degrees.

6.7 Safety-Related Certifications

| VDE | UL | CQC | TUV |
|--|--|---------------------------------------|--|
| Plan to certify according to DIN EN IEC 60747-17 (VDE 0884-17) | Plan to certify according to UL 1577 and CSA CAS Notice No. 5A | Plan to certify according to GB4943.1 | Plan to certify according to EN 61010-1 and EN 62368-1 |
| Certificate planned | Certificate planned | Certificate planned | Certificate planned |

6.8 Safety Limiting Values

Safety limiting⁽¹⁾ intends to minimize potential damage to the isolation barrier upon failure of input or output circuitry.

| PARAMETER | | TEST CONDITIONS | MIN | TYP | MAX | UNIT |
|---------------------------|---|--|-----|-----|--------|------------------|
| D-8 (SOIC) Package | | | | | | |
| I_S | Safety input, output, or supply current | $R_{\theta JA} = \text{TBD}^\circ\text{C/W}$, $V_I = 5.5\text{V}$, $T_J = 150^\circ\text{C}$, $T_A = 25^\circ\text{C}$ | | | 183.6 | mA |
| | | $R_{\theta JA} = \text{TBD}^\circ\text{C/W}$, $V_I = 3.6\text{V}$, $T_J = 150^\circ\text{C}$, $T_A = 25^\circ\text{C}$ | | | 280.5 | |
| | | $R_{\theta JA} = \text{TBD}^\circ\text{C/W}$, $V_I = 2.75\text{V}$, $T_J = 150^\circ\text{C}$, $T_A = 25^\circ\text{C}$ | | | 367.2 | |
| | | $R_{\theta JA} = \text{TBD}^\circ\text{C/W}$, $V_I = 1.89\text{V}$, $T_J = 150^\circ\text{C}$, $T_A = 25^\circ\text{C}$ | | | 534.2 | |
| P_S | Safety input, output, or total power | $R_{\theta JA} = \text{TBD}^\circ\text{C/W}$, $T_J = 150^\circ\text{C}$, $T_A = 25^\circ\text{C}$ | | | 1009.7 | mW |
| T_S | Maximum safety temperature | | | | 150 | $^\circ\text{C}$ |

- (1) The maximum safety temperature, T_S , has the same value as the maximum junction temperature, T_J , specified for the device. The I_S and P_S parameters represent the safety current and safety power respectively. The maximum limits of I_S and P_S should not be exceeded. These limits vary with the ambient temperature, T_A .
The junction-to-air thermal resistance, $R_{\theta JA}$, in the table is that of a device installed on a high-K test board for leaded surface-mount packages. Use these equations to calculate the value for each parameter:
 $T_J = T_A + R_{\theta JA} \times P$, where P is the power dissipated in the device.
 $T_{J(\text{max})} = T_S = T_A + R_{\theta JA} \times P_S$, where $T_{J(\text{max})}$ is the maximum allowed junction temperature.
 $P_S = I_S \times V_I$, where V_I is the maximum input voltage.

6.9 Electrical Characteristics—5V Supply

$V_{CC1} = V_{CC2} = 5V \pm 10\%$ (over recommended operating conditions unless otherwise noted)

| PARAMETER | | TEST CONDITIONS | MIN | TYP | MAX | UNIT |
|-------------------|--|---|--------------------------------|-------------------------------|-----|-------------|
| $V_{OH(OUTx)}$ | OUTx (output) high-level output voltage | $I_{OH} = -4mA$; See Section 7 | $V_{CCO} - 0.4$ ⁽¹⁾ | | | V |
| $V_{OL(OUTx)}$ | OUTx (output) low-level output voltage | $I_{OL} = 4mA$; See Section 7 | | | 0.4 | V |
| $V_{IT+(INx)}$ | INx (input) switching threshold voltage, rising | | | $0.7x V_{CCI}$ ⁽¹⁾ | | V |
| $V_{IT-(INx)}$ | INx (input) switching threshold voltage, falling | | $0.3x V_{CCI}$ | | | V |
| $V_{L_HYS(INx)}$ | INx (input) switching threshold voltage hysteresis | | $0.02x V_{CCI}$ | $0.04x V_{CCI}$ | | V |
| $I_{I(INx)}$ | INx (input) input current (default high device, with H suffix) | HIGH Input Current: $V_{IH} = V_{CCI}$ ⁽¹⁾ at INx (leakage current) | | | 1 | μA |
| | | LOW Input Current: $V_{IL} = 0V$ at INx (leakage and current through default high pull-up resistance) | -10 | | | |
| | INx (input) input current (default low device, with L suffix) | HIGH Input Current: $V_{IH} = V_{CCI}$ ⁽¹⁾ at INx (leakage and current through default low pull-down resistance) | | | 10 | |
| | | LOW Input Current: $V_{IL} = 0V$ at INx (leakage current) | -1 | | | |
| CMTI | Common mode transient immunity | $V_I = V_{CC}$ or $0V$, $V_{CM} = 1200V$; See Section 7 | 100 | 175 | | kV/ μs |
| C_i | Input Capacitance ⁽²⁾ | $V_I = V_{CC}/2 + 0.4 \times \sin(2\pi ft)$, $f = 2MHz$, $V_{CC} = 5V$ | | 1.5 | | pF |

(1) V_{CCI} = Input-side V_{CC} ; V_{CCO} = Output-side V_{CC}

(2) Measured from input pin to same side ground.

6.10 Supply Current Characteristics—5V Supply

$V_{CC1} = V_{CC2} = 5V \pm 10\%$ (over recommended operating conditions unless otherwise noted)

| PARAMETER | TEST CONDITIONS | | SUPPLY CURRENT | MIN | TYP | MAX | UNIT |
|--|---|-----------|----------------|------|------|------|------|
| ISO6020d (d = H for default high and d = L for default low) | | | | | | | |
| Supply current - DC signal | $V_I = V_{CC1}$ ⁽¹⁾ (default high device, H); $V_I = 0V$ (default low device, L) | I_{CC1} | | 0.42 | 0.62 | | mA |
| | | I_{CC2} | | 0.7 | 1 | | |
| | $V_I = 0V$ (default high device, H); $V_I = V_{CC1}$ (default low device, L) | I_{CC1} | | 0.43 | 0.62 | | |
| | | I_{CC2} | | 0.7 | 1 | | |
| Supply current - AC signal | All channels switching with square wave clock input; $C_L = 0pF$ | 1Mbps | I_{CC1} | | 0.45 | 0.62 | |
| | | | I_{CC2} | | 0.74 | 1 | |
| | | 10Mbps | I_{CC1} | | 0.74 | 0.97 | |
| | | | I_{CC2} | | 1.08 | 1.38 | |
| | | 25Mbps | I_{CC1} | | 1.24 | 1.56 | |
| | | | I_{CC2} | | 1.65 | 2.07 | |
| | | 100Mbps | I_{CC1} | | 3.73 | 4.55 | |
| | | | I_{CC2} | | 4.5 | 5.55 | |
| ISO6021d (d = H for default high and d = L for default low) | | | | | | | |
| Supply current - DC signal | $V_I = V_{CC1}$ ⁽¹⁾ (default high device, H); $V_I = 0V$ (default low device, L) | I_{CC1} | | 0.57 | 0.81 | | mA |
| | | I_{CC2} | | 0.57 | 0.80 | | |
| | $V_I = 0V$ (default high device, H); $V_I = V_{CC1}$ (default low device, L) | I_{CC1} | | 0.57 | 0.81 | | |
| | | I_{CC2} | | 0.57 | 0.80 | | |
| Supply current - AC signal | All channels switching with square wave clock input; $C_L = 0pF$ | 1Mbps | I_{CC1} | | 0.6 | 0.81 | |
| | | | I_{CC2} | | 0.6 | 0.80 | |
| | | 10Mbps | I_{CC1} | | 0.92 | 1.20 | |
| | | | I_{CC2} | | 0.92 | 1.18 | |
| | | 25Mbps | I_{CC1} | | 1.46 | 1.84 | |
| | | | I_{CC2} | | 1.45 | 1.82 | |
| | | 100Mbps | I_{CC1} | | 4.16 | 5.08 | |
| | | | I_{CC2} | | 4.12 | 5.03 | |

(1) $V_{CCI} = \text{Input-side } V_{CC}$

6.11 Electrical Characteristics—3.3V Supply

$V_{CC1} = V_{CC2} = 3.3V \pm 10\%$ (over recommended operating conditions unless otherwise noted)

| PARAMETER | | TEST CONDITIONS | MIN | TYP | MAX | UNIT |
|-------------------|--|---|--------------------------------|-------------------------------|-----|-------------|
| $V_{OH(OUTx)}$ | OUTx (output) high-level output voltage | $I_{OH} = -2mA$; See Section 7 | $V_{CCO} - 0.2$ ⁽¹⁾ | | | V |
| $V_{OL(OUTx)}$ | OUTx (output) low-level output voltage | $I_{OL} = 2mA$; See Section 7 | | | 0.2 | V |
| $V_{IT+(INx)}$ | INx (input) switching threshold voltage, rising | | | $0.7x V_{CCI}$ ⁽¹⁾ | | V |
| $V_{IT-(INx)}$ | INx (input) switching threshold voltage, falling | | $0.3x V_{CCI}$ | | | V |
| $V_{L_HYS(INx)}$ | INx (input) switching threshold voltage hysteresis | | $0.02x V_{CCI}$ | $0.04x V_{CCI}$ | | V |
| $I_{I(INx)}$ | INx (input) input current (default high device, with H suffix) | HIGH Input Current: $V_{IH} = V_{CCI}$ ⁽¹⁾ at INx (leakage current) | | | 1 | μA |
| | | LOW Input Current: $V_{IL} = 0V$ at INx (leakage and current through default high pull-up resistance) | -10 | | | |
| | INx (input) input current (default low device, with L suffix) | HIGH Input Current: $V_{IH} = V_{CCI}$ ⁽¹⁾ at INx (leakage and current through default low pull-down resistance) | | | 10 | |
| | | LOW Input Current: $V_{IL} = 0V$ at INx (leakage current) | -1 | | | |
| CMTI | Common mode transient immunity | $V_I = V_{CC}$ or $0V$, $V_{CM} = 1200V$; See Section 7 | 100 | 175 | | kV/ μs |
| C_i | Input Capacitance ⁽²⁾ | $V_I = V_{CC}/2 + 0.4 \times \sin(2\pi ft)$, $f = 2MHz$, $V_{CC} = 3.3V$ | | 1.5 | | pF |

(1) $V_{CCI} =$ Input-side V_{CC} ; $V_{CCO} =$ Output-side V_{CC}

(2) Measured from input pin to same side ground.

6.12 Supply Current Characteristics—3.3V Supply

$V_{CC1} = V_{CC2} = 3.3V \pm 10\%$ (over recommended operating conditions unless otherwise noted)

| PARAMETER | TEST CONDITIONS | | SUPPLY CURRENT | MIN | TYP | MAX | UNIT |
|--|---|---------|----------------|-----|------|------|------|
| ISO6020d (d = H for default high and d = L for default low) | | | | | | | |
| Supply current - DC signal | $V_I = V_{CC1}$ ⁽¹⁾ (default high device, H); $V_I = 0V$ (default low device, L) | | I_{CC1} | | 0.4 | 0.56 | mA |
| | | | I_{CC2} | | 0.68 | 0.94 | |
| | $V_I = 0V$ (default high device, H); $V_I = V_{CC1}$ (default low device, L) | | I_{CC1} | | 0.41 | 0.56 | |
| | | | I_{CC2} | | 0.68 | 0.94 | |
| Supply current - AC signal | All channels switching with square wave clock input; $C_L = 0pF$ | 1Mbps | I_{CC1} | | 0.42 | 0.56 | |
| | | | I_{CC2} | | 0.7 | 0.94 | |
| | | 10Mbps | I_{CC1} | | 0.7 | 0.91 | |
| | | | I_{CC2} | | 0.94 | 1.20 | |
| | | 25Mbps | I_{CC1} | | 1.17 | 1.46 | |
| | | | I_{CC2} | | 1.33 | 1.68 | |
| | | 100Mbps | I_{CC1} | | 3.52 | 4.3 | |
| | | | I_{CC2} | | 3.32 | 4.14 | |
| ISO6021d (d = H for default high and d = L for default low) | | | | | | | |
| Supply current - DC signal | $V_I = V_{CC1}$ ⁽¹⁾ (default high device, H); $V_I = 0V$ (default low device, L) | | I_{CC1} | | 0.54 | 0.75 | mA |
| | | | I_{CC2} | | 0.54 | 0.74 | |
| | $V_I = 0V$ (default high device, H); $V_I = V_{CC1}$ (default low device, L) | | I_{CC1} | | 0.54 | 0.75 | |
| | | | I_{CC2} | | 0.54 | 0.74 | |
| Supply current - AC signal | All channels switching with square wave clock input; $C_L = 0pF$ | 1Mbps | I_{CC1} | | 0.56 | 0.75 | |
| | | | I_{CC2} | | 0.56 | 0.74 | |
| | | 10Mbps | I_{CC1} | | 0.82 | 1.06 | |
| | | | I_{CC2} | | 0.82 | 1.06 | |
| | | 25Mbps | I_{CC1} | | 1.26 | 1.58 | |
| | | | I_{CC2} | | 1.25 | 1.57 | |
| | | 100Mbps | I_{CC1} | | 3.44 | 4.20 | |
| | | | I_{CC2} | | 3.42 | 4.17 | |

(1) $V_{CCI} = \text{Input-side } V_{CC}$

ADVANCE INFORMATION

6.13 Electrical Characteristics—2.5V Supply

$V_{CC1} = V_{CC2} = 2.5V \pm 10\%$ (over recommended operating conditions unless otherwise noted)

| PARAMETER | | TEST CONDITIONS | MIN | TYP | MAX | UNIT |
|-------------------|--|---|--------------------------------|-------------------------------|-----|-------------|
| $V_{OH(OUTx)}$ | OUTx (output) high-level output voltage | $I_{OH} = -1mA$; See Section 7 | $V_{CCO} - 0.1$ ⁽¹⁾ | | | V |
| $V_{OL(OUTx)}$ | OUTx (output) low-level output voltage | $I_{OL} = 1mA$; See Section 7 | | | 0.1 | V |
| $V_{IT+(INx)}$ | INx (input) switching threshold voltage, rising | | | $0.7x V_{CCI}$ ⁽¹⁾ | | V |
| $V_{IT-(INx)}$ | INx (input) switching threshold voltage, falling | | $0.3x V_{CCI}$ | | | V |
| $V_{L_HYS(INx)}$ | INx (input) switching threshold voltage hysteresis | | $0.02x V_{CCI}$ | $0.04x V_{CCI}$ | | V |
| $I_{I(INx)}$ | INx (input) input current (default high device, with H suffix) | HIGH Input Current: $V_{IH} = V_{CCI}$ ⁽¹⁾ at INx (leakage current) | | | 1 | μA |
| | | LOW Input Current: $V_{IL} = 0V$ at INx (leakage and current through default high pull-up resistance) | -10 | | | |
| | INx (input) input current (default low device, with L suffix) | HIGH Input Current: $V_{IH} = V_{CCI}$ ⁽¹⁾ at INx (leakage and current through default low pull-down resistance) | | | 10 | |
| | | LOW Input Current: $V_{IL} = 0V$ at INx (leakage current) | -1 | | | |
| CMTI | Common mode transient immunity | $V_I = V_{CC}$ or $0V$, $V_{CM} = 1200V$; See Section 7 | 100 | 175 | | kV/ μs |
| C_i | Input Capacitance ⁽²⁾ | $V_I = V_{CC}/2 + 0.4 \times \sin(2\pi ft)$, $f = 2MHz$, $V_{CC} = 2.5V$ | | 1.5 | | pF |

- (1) V_{CCI} = Input-side V_{CC} ; V_{CCO} = Output-side V_{CC}
(2) Measured from input pin to same side ground.

6.14 Supply Current Characteristics—2.5V Supply

$V_{CC1} = V_{CC2} = 2.5V \pm 10\%$ (over recommended operating conditions unless otherwise noted)

| PARAMETER | TEST CONDITIONS | | SUPPLY CURRENT | MIN | TYP | MAX | UNIT |
|--|---|---------|----------------|-----|------|------|------|
| ISO6020d (d = H for default high and d = L for default low) | | | | | | | |
| Supply current - DC signal | $V_I = V_{CC1}$ ⁽¹⁾ (default high device, H); $V_I = 0V$ (default low device, L) | | I_{CC1} | | 0.39 | 0.54 | mA |
| | | | I_{CC2} | | 0.67 | 0.92 | |
| | $V_I = 0V$ (default high device, H); $V_I = V_{CC1}$ (default low device, L) | | I_{CC1} | | 0.39 | 0.54 | |
| | | | I_{CC2} | | 0.67 | 0.92 | |
| Supply current - AC signal | All channels switching with square wave clock input; $C_L = 0pF$ | 1Mbps | I_{CC1} | | 0.41 | 0.54 | |
| | | | I_{CC2} | | 0.69 | 0.92 | |
| | | 10Mbps | I_{CC1} | | 0.68 | 0.88 | |
| | | | I_{CC2} | | 0.87 | 1.11 | |
| | | 25Mbps | I_{CC1} | | 1.14 | 1.42 | |
| | | | I_{CC2} | | 1.17 | 1.48 | |
| | | 100Mbps | I_{CC1} | | 3.45 | 4.21 | |
| | | | I_{CC2} | | 2.68 | 3.35 | |
| ISO6021d (d = H for default high and d = L for default low) | | | | | | | |
| Supply current - DC signal | $V_I = V_{CC1}$ ⁽¹⁾ (default high device, H); $V_I = 0V$ (default low device, L) | | I_{CC1} | | 0.53 | 0.73 | mA |
| | | | I_{CC2} | | 0.53 | 0.72 | |
| | $V_I = 0V$ (default high device, H); $V_I = V_{CC1}$ (default low device, L) | | I_{CC1} | | 0.53 | 0.73 | |
| | | | I_{CC2} | | 0.53 | 0.72 | |
| Supply current - AC signal | All channels switching with square wave clock input; $C_L = 0pF$ | 1Mbps | I_{CC1} | | 0.55 | 0.73 | |
| | | | I_{CC2} | | 0.55 | 0.72 | |
| | | 10Mbps | I_{CC1} | | 0.78 | 1.00 | |
| | | | I_{CC2} | | 0.77 | 1.00 | |
| | | 25Mbps | I_{CC1} | | 1.16 | 1.46 | |
| | | | I_{CC2} | | 1.15 | 1.45 | |
| | | 100Mbps | I_{CC1} | | 3.08 | 3.75 | |
| | | | I_{CC2} | | 3.06 | 3.72 | |

(1) $V_{CCI} = \text{Input-side } V_{CC}$

6.15 Electrical Characteristics—1.8V Supply

$V_{CC1} = V_{CC2} = 1.8V \pm 5\%$ (over recommended operating conditions unless otherwise noted)

| PARAMETER | | TEST CONDITIONS | MIN | TYP | MAX | UNIT |
|-------------------|--|---|--------------------------------|-------------------------------|-----|-------------|
| $V_{OH(OUTx)}$ | OUTx (output) high-level output voltage | $I_{OH} = -1mA$; See Section 7 | $V_{CCO} - 0.1$ ⁽¹⁾ | | | V |
| $V_{OL(OUTx)}$ | OUTx (output) low-level output voltage | $I_{OL} = 1mA$; See Section 7 | | | 0.1 | V |
| $V_{IT+(INx)}$ | INx (input) switching threshold voltage, rising | | | $0.7x V_{CC1}$ ⁽¹⁾ | | V |
| $V_{IT-(INx)}$ | INx (input) switching threshold voltage, falling | | $0.3x V_{CC1}$ | | | V |
| $V_{L_HYS(INx)}$ | INx (input) switching threshold voltage hysteresis | | $0.02x V_{CC1}$ | $0.06x V_{CC1}$ | | V |
| $I_{I(INx)}$ | INx (input) input current (default high device, with H suffix) | HIGH Input Current: $V_{IH} = V_{CC1}$ ⁽¹⁾ at INx (leakage current) | | | 1 | μA |
| | | LOW Input Current: $V_{IL} = 0V$ at INx (leakage and current through default high pull-up resistance) | -10 | | | |
| | INx (input) input current (default low device, with L suffix) | HIGH Input Current: $V_{IH} = V_{CC1}$ ⁽¹⁾ at INx (leakage and current through default low pull-down resistance) | | | 10 | |
| | | LOW Input Current: $V_{IL} = 0V$ at INx (leakage current) | -1 | | | |
| CMTI | Common mode transient immunity | $V_I = V_{CC}$ or $0V$, $V_{CM} = 1200V$; See Section 7 | 75 | 175 | | kV/ μs |
| C_i | Input Capacitance ⁽²⁾ | $V_I = V_{CC}/2 + 0.4 \times \sin(2\pi ft)$, $f = 2MHz$, $V_{CC} = 2.5V$ | | 1.8 | | pF |

(1) V_{CC1} = Input-side V_{CC} ; V_{CCO} = Output-side V_{CC}

(2) Measured from input pin to same side ground.

6.16 Supply Current Characteristics—1.8V Supply

$V_{CC1} = V_{CC2} = 1.8V \pm 5\%$ (over recommended operating conditions unless otherwise noted)

| PARAMETER | TEST CONDITIONS | | SUPPLY CURRENT | MIN | TYP | MAX | UNIT |
|--|---|---------|----------------|-----|------|------|------|
| ISO6020d (d = H for default high and d = L for default low) | | | | | | | |
| Supply current - DC signal | $V_I = V_{CC1}$ ⁽¹⁾ (default high device, H); $V_I = 0V$ (default low device, L) | | I_{CC1} | | 0.38 | 0.52 | mA |
| | | | I_{CC2} | | 0.65 | 0.91 | |
| | $V_I = 0V$ (default high device, H); $V_I = V_{CC1}$ (default low device, L) | | I_{CC1} | | 0.38 | 0.52 | |
| | | | I_{CC2} | | 0.65 | 0.91 | |
| Supply current - AC signal | All channels switching with square wave clock input; $C_L = 0pF$ | 1Mbps | I_{CC1} | | 0.39 | 0.52 | |
| | | | I_{CC2} | | 0.67 | 0.91 | |
| | | 10Mbps | I_{CC1} | | 0.66 | 0.86 | |
| | | | I_{CC2} | | 0.8 | 1.02 | |
| | | 25Mbps | I_{CC1} | | 1.12 | 1.39 | |
| | | | I_{CC2} | | 1.03 | 1.28 | |
| | | 100Mbps | I_{CC1} | | 3.38 | 4.12 | |
| | | | I_{CC2} | | 2.15 | 2.59 | |
| ISO6021d (d = H for default high and d = L for default low) | | | | | | | |
| Supply current - DC signal | $V_I = V_{CC1}$ ⁽¹⁾ (default high device, H); $V_I = 0V$ (default low device, L) | | I_{CC1} | | 0.52 | 0.72 | mA |
| | | | I_{CC2} | | 0.52 | 0.71 | |
| | $V_I = 0V$ (default high device, H); $V_I = V_{CC1}$ (default low device, L) | | I_{CC1} | | 0.52 | 0.72 | |
| | | | I_{CC2} | | 0.52 | 0.71 | |
| Supply current - AC signal | All channels switching with square wave clock input; $C_L = 0pF$ | 1Mbps | I_{CC1} | | 0.53 | 0.72 | |
| | | | I_{CC2} | | 0.54 | 0.71 | |
| | | 10Mbps | I_{CC1} | | 0.74 | 0.95 | |
| | | | I_{CC2} | | 0.74 | 0.94 | |
| | | 25Mbps | I_{CC1} | | 1.08 | 1.34 | |
| | | | I_{CC2} | | 1.08 | 1.33 | |
| | | 100Mbps | I_{CC1} | | 2.79 | 3.33 | |
| | | | I_{CC2} | | 2.76 | 3.29 | |

(1) $V_{CCI} = \text{Input-side } V_{CC}$

ADVANCE INFORMATION

6.17 Switching Characteristics—5V Supply

$V_{CC1} = V_{CC2} = 5V \pm 10\%$ (over recommended operating conditions unless otherwise noted)

| PARAMETER | | TEST CONDITIONS | MIN | TYP | MAX | UNIT |
|--------------------|---|--|---------------------------|-----|------|---------|
| t_{PLH}, t_{PHL} | Propagation delay time | at 100kbps | | | 9 | ns |
| PWD | Pulse width distortion ⁽¹⁾ $ t_{PHL} - t_{PLH} $ | See Section 7 | | | 1.2 | |
| $t_{sk(o)}$ | Channel-to-channel output skew time ⁽²⁾ | Same-direction channels | | | 1.2 | |
| | | Opposite-direction channels | | | 1.2 | |
| $t_{sk(pp)}$ | Part-to-part skew time ⁽³⁾ | | | | 3 | |
| t_r | Output signal rise time | See Section 7 | | | 3.5 | |
| t_f | Output signal fall time | | | | 3.5 | |
| t_{PHZ} | Disable propagation delay, high-to-high impedance output | | | | 13.5 | |
| t_{PLZ} | Disable propagation delay, low-to-high impedance output | | | | 13.5 | |
| t_{PU} | Time from V_{CC} UVLO to valid output data | | V_{CC} ramp < 1 μ s | | | |
| t_{DO} | Default output delay time from input power loss | Measured from the time V_{CC} goes below $V_{CC_UVLO-(MIN)}$. See Section 7 | | | 20 | μ s |
| t_{ie} | Time interval error | $2^{16} - 1$ PRBS data at 200Mbps, C_L as defined in Recommended Operating Conditions, one channel switching | | 112 | | ps |

- (1) Also known as pulse skew.
- (2) $t_{sk(o)}$ is the skew between outputs of a single device with all driving inputs connected together and the outputs switching in the same direction while driving identical loads.
- (3) $t_{sk(pp)}$ is the magnitude of the difference in propagation delay times between any terminals of different devices switching in the same direction while operating at identical supply voltages, temperature, input signals and loads.

6.18 Switching Characteristics—3.3V Supply

$V_{CC1} = V_{CC2} = 3.3V \pm 10\%$ (over recommended operating conditions unless otherwise noted)

| PARAMETER | | TEST CONDITIONS | MIN | TYP | MAX | UNIT |
|--------------------|---|--|---------------------------|-----|-----|---------|
| t_{PLH}, t_{PHL} | Propagation delay time | at 100kbps | | | 10 | ns |
| PWD | Pulse width distortion ⁽¹⁾ $ t_{PHL} - t_{PLH} $ | See Section 7 | | | 1.2 | |
| $t_{sk(o)}$ | Channel-to-channel output skew time ⁽²⁾ | Same-direction channels | | | 1.2 | |
| | | Opposite-direction channels | | | 1.2 | |
| $t_{sk(pp)}$ | Part-to-part skew time ⁽³⁾ | | | | 3 | |
| t_r | Output signal rise time | See Section 7 | | | 4 | |
| t_f | Output signal fall time | | | | 4 | |
| t_{PHZ} | Disable propagation delay, high-to-high impedance output | | | | 20 | |
| t_{PLZ} | Disable propagation delay, low-to-high impedance output | | | | 20 | |
| t_{PU} | Time from V_{CC} UVLO to valid output data | | V_{CC} ramp < 1 μ s | | | |
| t_{DO} | Default output delay time from input power loss | Measured from the time V_{CC} goes below $V_{CC_UVLO-(MIN)}$. See Section 7 | | | 20 | μ s |
| t_{ie} | Time interval error | $2^{16} - 1$ PRBS data at 200Mbps, C_L as defined in Recommended Operating Conditions, one channel switching | | 85 | | ps |

- (1) Also known as pulse skew.
- (2) $t_{sk(o)}$ is the skew between outputs of a single device with all driving inputs connected together and the outputs switching in the same direction while driving identical loads.
- (3) $t_{sk(pp)}$ is the magnitude of the difference in propagation delay times between any terminals of different devices switching in the same direction while operating at identical supply voltages, temperature, input signals and loads.

6.19 Switching Characteristics—2.5V Supply

$V_{CC1} = V_{CC2} = 2.5V \pm 10\%$ (over recommended operating conditions unless otherwise noted)

| PARAMETER | | TEST CONDITIONS | MIN | TYP | MAX | UNIT |
|--------------------|---|--|-----|-----|------|---------|
| t_{PLH}, t_{PHL} | Propagation delay time | at 100kbps | | | 13.1 | ns |
| PWD | Pulse width distortion ⁽¹⁾ $ t_{PHL} - t_{PLH} $ | See Section 7 | | | 1.2 | |
| $t_{sk(o)}$ | Channel-to-channel output skew time ⁽²⁾ | Same-direction channels | | | 1.2 | |
| | | Opposite-direction channels | | | 1.2 | |
| $t_{sk(pp)}$ | Part-to-part skew time ⁽³⁾ | | | | 3 | |
| t_r | Output signal rise time | See Section 7 | | | 5 | |
| t_f | Output signal fall time | | | | 5 | |
| t_{PHZ} | Disable propagation delay, high-to-high impedance output | | | | 44 | |
| t_{PLZ} | Disable propagation delay, low-to-high impedance output | | | | 44 | |
| t_{PU} | Time from V_{CC} UVLO to valid output data | V_{CC} ramp < 1 μ s | | | 80 | |
| t_{DO} | Default output delay time from input power loss | Measured from the time V_{CC} goes below $V_{CC_UVLO(MIN)}$. See Section 7 | | | 20 | μ s |
| t_{ie} | Time interval error | $2^{16} - 1$ PRBS data at 200Mbps, C_L as defined in Recommended Operating Conditions, one channel switching | | 85 | | ps |

- (1) Also known as pulse skew.
- (2) $t_{sk(o)}$ is the skew between outputs of a single device with all driving inputs connected together and the outputs switching in the same direction while driving identical loads.
- (3) $t_{sk(pp)}$ is the magnitude of the difference in propagation delay times between any terminals of different devices switching in the same direction while operating at identical supply voltages, temperature, input signals and loads.

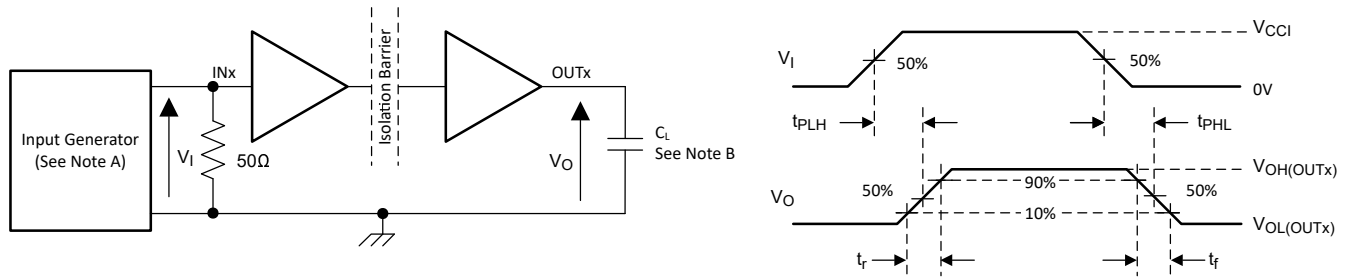
6.20 Switching Characteristics—1.8V Supply

$V_{CC1} = V_{CC2} = 1.8V \pm 5\%$ (over recommended operating conditions unless otherwise noted)

| PARAMETER | | TEST CONDITIONS | MIN | TYP | MAX | UNIT |
|--------------------|---|--|-----|-----|------|---------|
| t_{PLH}, t_{PHL} | Propagation delay time | at 100kbps | | | 14.5 | ns |
| PWD | Pulse width distortion ⁽¹⁾ $ t_{PHL} - t_{PLH} $ | See Section 7 | | | 1.2 | |
| $t_{sk(o)}$ | Channel-to-channel output skew time ⁽²⁾ | Same-direction channels | | | 1.2 | |
| | | Opposite-direction channels | | | 1.2 | |
| $t_{sk(pp)}$ | Part-to-part skew time ⁽³⁾ | | | | 5 | |
| t_r | Output signal rise time | See Section 7 | | | 5 | |
| t_f | Output signal fall time | | | | 5 | |
| t_{PHZ} | Disable propagation delay, high-to-high impedance output | | | | 44 | |
| t_{PLZ} | Disable propagation delay, low-to-high impedance output | | | | 44 | |
| t_{PU} | Time from V_{CC} UVLO to valid output data | V_{CC} ramp < 1 μ s | | | 80 | |
| t_{DO} | Default output delay time from input power loss | Measured from the time V_{CC} goes below $V_{CC_UVLO-(MIN)}$. See Section 7 | | | 20 | μ s |
| t_{ie} | Time interval error | $2^{16} - 1$ PRBS data at 200Mbps, C_L as defined in Recommended Operating Conditions, one channel switching | | 105 | | ps |

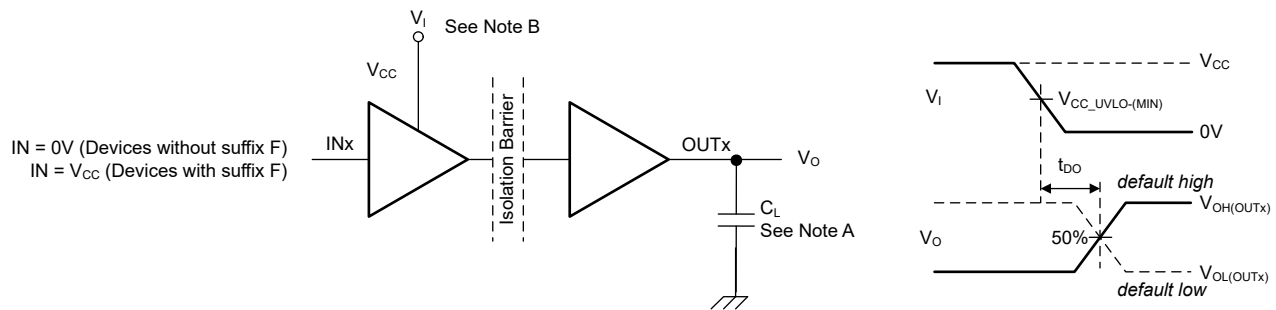
- (1) Also known as pulse skew.
- (2) $t_{sk(o)}$ is the skew between outputs of a single device with all driving inputs connected together and the outputs switching in the same direction while driving identical loads.
- (3) $t_{sk(pp)}$ is the magnitude of the difference in propagation delay times between any terminals of different devices switching in the same direction while operating at identical supply voltages, temperature, input signals and loads.

7 Parameter Measurement Information



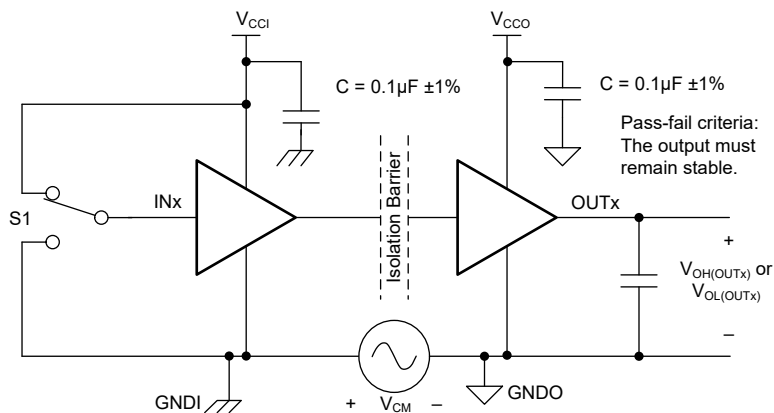
- A. The input pulse is supplied by a generator having the following characteristics: PRR \leq 50kHz, 50% duty cycle, $t_r \leq$ 1ns, $t_f \leq$ 1ns, $Z_0 = 50\Omega$. At the input, 50Ω resistor is required to terminate INx (input) generator signal. The 50Ω resistor is not needed in the actual application.
- B. $C_L = 0\text{pF}$ and includes instrumentation and fixture capacitance within $\pm 20\%$.

Figure 7-1. Switching Characteristics Test Circuit and Voltage Waveforms



- A. $C_L = 0\text{pF}$ and includes instrumentation and fixture capacitance within $\pm 20\%$.
- B. Power Supply Ramp Rate = 10mV/ns

Figure 7-2. Default Output Delay Time Test Circuit and Voltage Waveforms



- A. $C_L = 0\text{pF}$ and includes instrumentation and fixture capacitance within $\pm 20\%$.

Figure 7-3. Common-Mode Transient Immunity Test Circuit

8 Detailed Description

8.1 Overview

The ISO602x family of devices have an edge based scheme to transmit the digital data across a silicon dioxide based isolation barrier.

The digital input signal (IN) of the device is sampled by a transmitter and at every data edge the transmitter sends a corresponding differential signal across the isolation barrier. When the input signal is static, the refresh logic periodically sends the necessary differential signal from the transmitter. On the other side of the isolation barrier, the receiver converts the differential signal into a single-ended signal which is output on the OUT pin through a buffer. If the receiver does not receive a data or refresh signal, the timeout logic detects the loss of signal or power from the input side and drives the output to the default level.

8.2 Functional Block Diagram

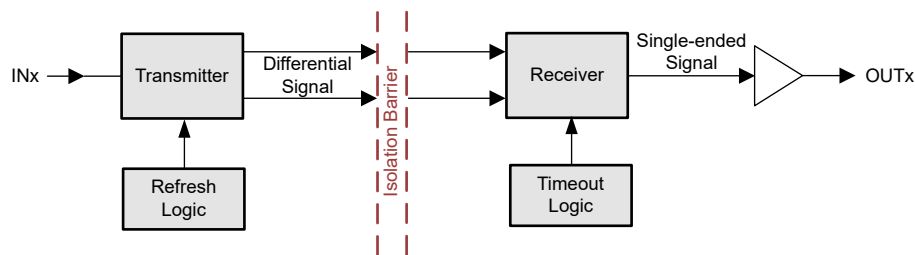


Figure 8-1. Conceptual Block Diagram of an Edge Based Digital Isolator

8.3 Feature Description

Table 8-1 provides an overview of the device features.

Table 8-1. Device Features

| PART NUMBER | CHANNEL DIRECTION | MAXIMUM DATA RATE | DEFAULT OUTPUT | PACKAGE |
|-------------|------------------------|-------------------|----------------|---------|
| ISO6020H | 2 Forward 0 Reverse | 200Mbps | High | D-8 |
| ISO6020L | 2 Forward 0 Reverse | 200Mbps | Low | D-8 |
| ISO6021H | 1 Forward 1 Reverse | 200Mbps | High | D-8 |
| ISO6021L | 1 Forward 1 Reverse | 200Mbps | Low | D-8 |

8.3.1 Electromagnetic Compatibility (EMC) Considerations

Many applications in harsh industrial environment are sensitive to disturbances such as electrostatic discharge (ESD), electrical fast transient (EFT), surge and electromagnetic emissions. These electromagnetic disturbances are defined and tested by international standards such as IEC 61000-4-x and CISPR 32. Although system-level performance and reliability depends, to a large extent, on the application board design and layout, the ISO602x family of devices incorporates many chip-level design techniques to help overall system robustness.

8.4 Device Functional Modes

The following table lists the functional modes for the ISO602x devices.

Table 8-2. Function Table

| V _{CCI} ⁽¹⁾ | V _{CCO} | INPUT (IN _x) | OUTPUT (OUT _x) | COMMENTS |
|---------------------------------|------------------|--------------------------|----------------------------|--|
| PU | PU | H | H | Normal Operation: A channel output assumes the logic state of the input. |
| | | L | L | |
| | | Open | Default | Default mode: When IN _x is open, the corresponding channel output goes to the default logic state. Default is <i>High</i> for ISO602xH and <i>Low</i> for ISO602xL . |
| PD | PU | X | Default | Default mode: When V _{CCI} is unpowered, a channel output assumes the logic state based on the selected default option. Default is <i>High</i> for ISO602xH and <i>Low</i> for ISO602xL . When V _{CCI} transitions from unpowered to powered-up, a channel output assumes the logic state of the input. When V _{CCI} transitions from powered-up to unpowered, channel output assumes the selected default state. |
| X | PD | X | Undetermined | When V _{CCO} is unpowered, a channel output is undetermined ⁽²⁾ . When V _{CCO} transitions from unpowered to powered-up, a channel output assumes the logic state of the input. |

(1) V_{CCI} = Input-side V_{CC}; V_{CCO} = Output-side V_{CC}; PU = Powered up (V_{CC} ≥ V_{CC_RO(MIN)}); PD = Powered down (V_{CC} ≤ V_{CC_UVLO-}); X = Irrelevant; H = High level; L = Low level; Z = High Impedance

(2) The outputs are in undetermined state when V_{CC_UVLO-} ≤ V_{CCI} or V_{CCO} < V_{CC} ≥ V_{CC_RO(MIN)}.

8.5 Device I/O Schematics

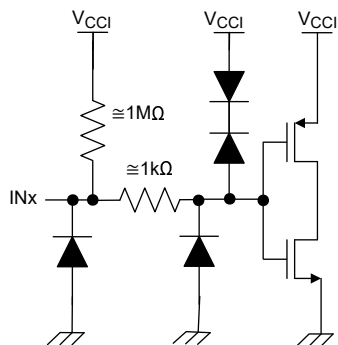


Figure 8-2. Input (INx) Default High (Device With H Suffix) Schematics

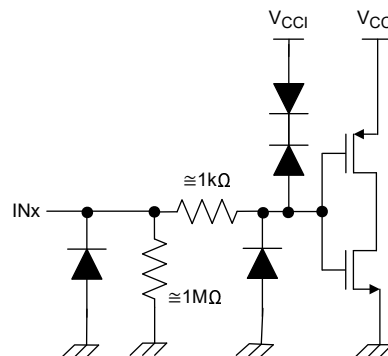


Figure 8-3. Input (INx) Default High (Device With L Suffix) Schematics

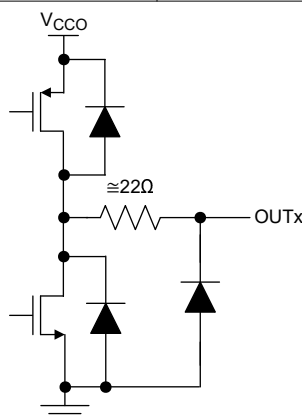


Figure 8-4. Output (OUTx) Schematics

8.6 Overvoltage Tolerant Input

The input pins of this device, INx, support input signal voltage in excess of the supply voltage (V_{CCI}) on the input side of the device as long as the voltage on the inputs remains below the voltages listed in the [Recommended Operating Conditions](#) and [Absolute Maximum Ratings](#) sections.

This allows the device to support input signal voltages on the inputs when the input supply, V_{CCI} , is unpowered. In this use case, the outputs transition to the default output state when the input side no longer has a valid supply.

These inputs also provide the capability of the inputs to down translate input signal voltages up to the V_{IMAX} in the [Recommended Operating Conditions](#) section. For example, an input signal 5V high-level can be used while V_{CCI} is operating a 3.3V.

9 Application and Implementation

Note

Information in the following applications sections is not part of the TI component specification, and TI does not warrant its accuracy or completeness. TI's customers are responsible for determining suitability of components for their purposes. Customers should validate and test their design implementation to confirm system functionality.

9.1 Application Information

The ISO602x devices are high-performance, low power, dual-channel digital isolators. The ISO602x devices use single-ended CMOS-logic switching technology.

The supply voltage range is from 1.71V to 5.5V for both supplies, V_{CC1} and V_{CC2} . Since an isolation barrier separates the two sides, each side can be sourced independently with any voltage within the [Recommended Operating Conditions](#) section. As an example, supplying ISO602x V_{CC1} with 3.3V (which is within 1.71V to 5.5V) and V_{CC2} with 5V (which is also within 1.71V to 5.5V) is possible. You can use the digital isolator as a logic-level translator in addition to providing isolation. When designing with digital isolators, keep in mind that because of the single-ended design structure, digital isolators do not conform to any specific interface standard and are only intended for isolating single-ended CMOS or TTL digital signal lines. The isolator is typically placed between the data controller (that is, MCU or FPGA), and a data converter or a line transceiver, regardless of the interface type or standard.

9.2 Typical Application

Figure 9-1 shows the Universal Asynchronous Receiver/Transmitter (UART).

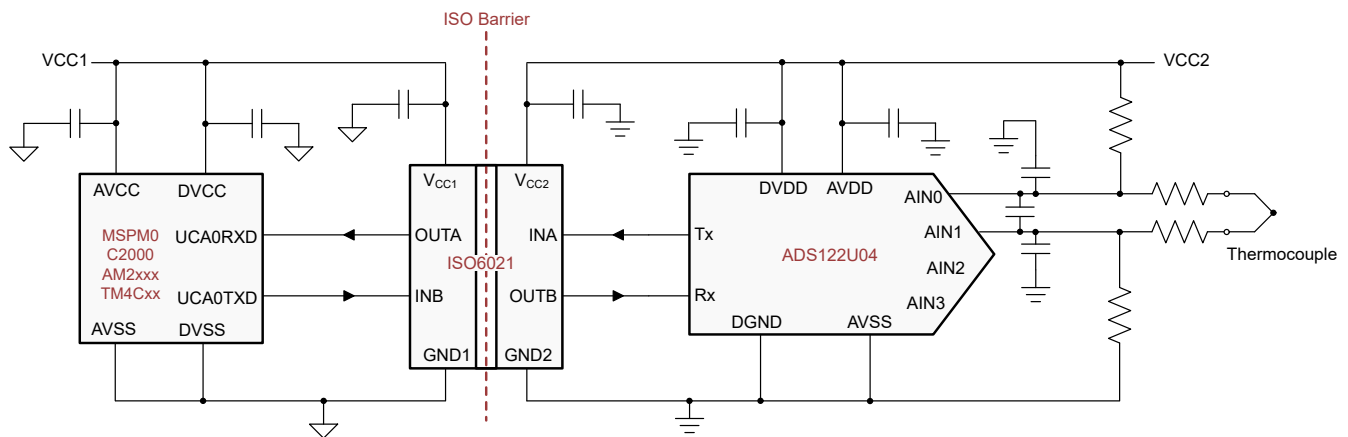


Figure 9-1. 2 Channel Typical Application

9.2.1 Design Requirements

To design with these devices, use the parameters listed in [Table 9-1](#).

Table 9-1. Design Parameters

| PARAMETER | VALUE |
|---|---------------|
| Supply voltage, V_{CC1} and V_{CC2} | 1.71V to 5.5V |
| Decoupling capacitor between V_{CC1} and GND1 | 0.1 μ F |
| Decoupling capacitor from V_{CC2} and GND2 | 0.1 μ F |

9.2.2 Detailed Design Procedure

Unlike optocouplers, which require external components to improve performance, provide bias, or limit current, the ISO602x family of devices only require two external bypass capacitors to operate.

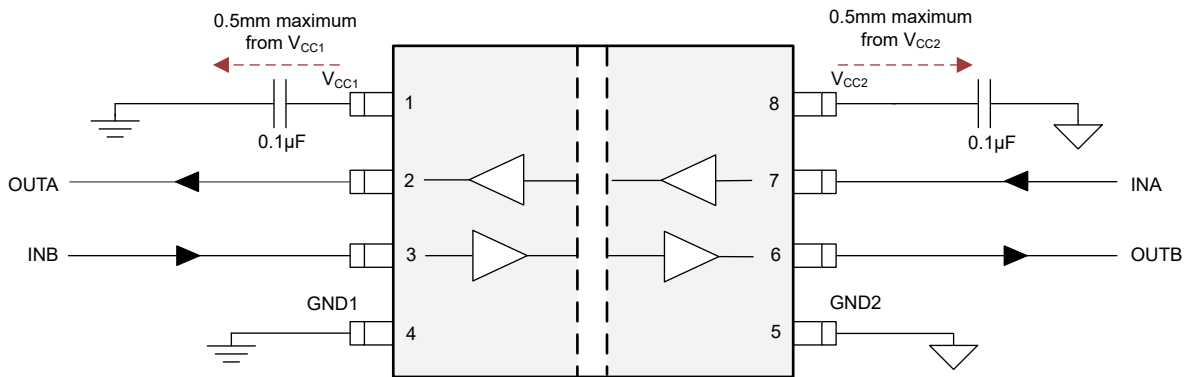


Figure 9-2. Typical ISO602x Circuit

ADVANCE INFORMATION

9.3 Power Supply Recommendations

To provide reliable operation at data rates and supply voltages, a 0.1µF bypass capacitor is recommended at the input and output supply pins (V_{CC1} and V_{CC2}). The capacitors must be placed as close to the supply pins as possible. If only a single primary-side power supply is available in an application, isolated power can be generated for the secondary-side with the help of a transformer driver. For industrial applications, please use Texas Instruments' [SN6501](#) or [SN6505B](#). For such applications, detailed power supply design and transformer selection recommendations are available in [SN6501 Transformer Driver for Isolated Power Supplies](#) or [SN6505B Low-noise, 1A Transformer Drivers for Isolated Power Supplies](#).

9.4 Layout

9.4.1 Layout Guidelines

A minimum of two layers is required to accomplish a cost optimized and low EMI PCB design. To further improve EMI, a four layer board can be used (see [Figure 9-3](#)). Layer stacking for a four layer board must be in the following order (top-to-bottom): high-speed signal layer, ground plane, power plane and low-frequency signal layer.

- Routing the high-speed traces on the top layer avoids the use of vias (and the introduction of the inductances) and allows for clean interconnects between the isolator and the transmitter and receiver circuits of the data link.
- Placing a solid ground plane next to the high-speed signal layer establishes controlled impedance for transmission line interconnects and provides an excellent low-inductance path for the return current flow.
- Placing the power plane next to the ground plane creates additional high-frequency bypass capacitance of approximately 100pF/inch².
- Routing the slower speed control signals on the bottom layer allows for greater flexibility as these signal links typically have margin to tolerate discontinuities such as vias.

If an additional supply voltage plane or signal layer is needed, add a second power or ground plane system to the stack to keep the planes symmetrical. This design makes the stack mechanically stable and prevents warping. Also the power and ground plane of each power system can be placed closer together, thus increasing the high-frequency bypass capacitance significantly.

For detailed layout recommendations, refer to the [Digital Isolator Design Guide](#) application note.

9.4.2 Layout Example

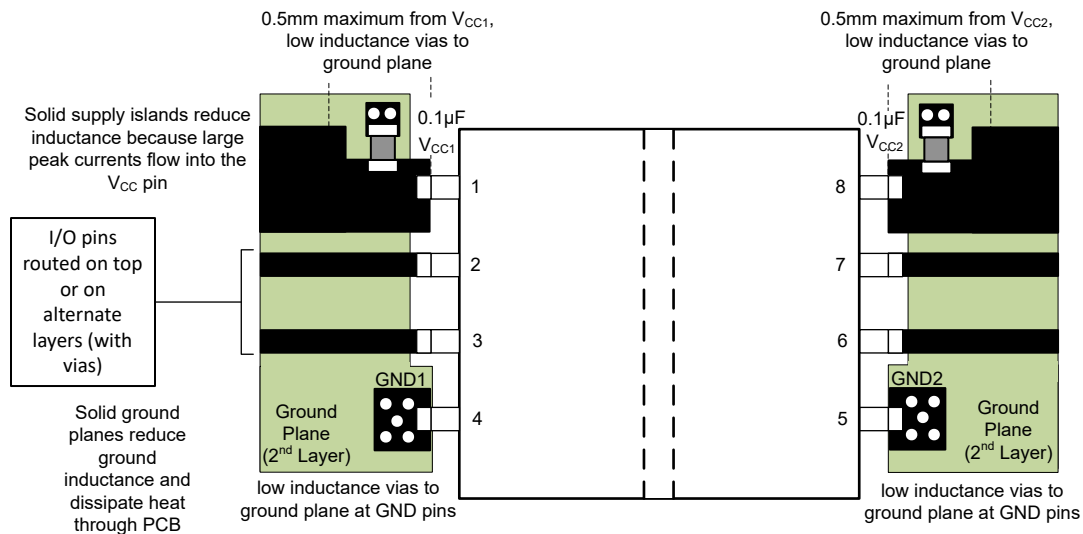


Figure 9-3. Layout Example

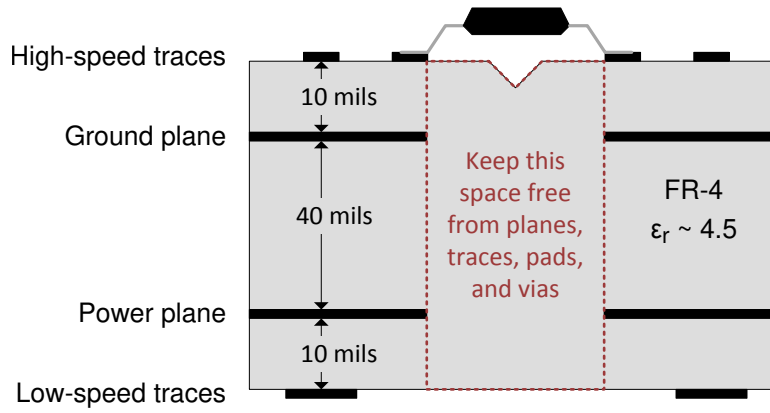


Figure 9-4. Layout Example PCB cross section

10 Device and Documentation Support

10.1 Documentation Support

10.1.1 Related Documentation

For related documentation, see the following:

- Texas Instruments, [ISO6020 Technical Documents](#)
- Texas Instruments, [ISO6021 Technical Documents](#)
- Texas Instruments, [Digital Isolator Design Guide](#), application note
- Texas Instruments, [Isolation Glossary](#), application note
- Texas Instruments, [How to use isolation to improve ESD, EFT, and Surge immunity in industrial systems](#), application note
- Texas Instruments, [SN6501 Transformer Driver for Isolated Power Supplies](#), data sheet
- Texas Instruments, [ADS127L21 512kSPS, Programmable Filter, 24-Bit, Wideband Delta-Sigma ADC](#), data sheet
- Texas Instruments, [ADS127L1x 512kSPS, Quad and Octal, Simultaneous-Sampling, 24-Bit ADCs](#), data sheet
- Texas Instruments, [ADS127L11 400-kSPS, Wide-Bandwidth, 24-Bit, Delta-Sigma ADC](#), data sheet

10.2 Receiving Notification of Documentation Updates

To receive notification of documentation updates, navigate to the device product folder on [ti.com](#). Click on *Notifications* to register and receive a weekly digest of any product information that has changed. For change details, review the revision history included in any revised document.

10.3 Support Resources

[TI E2E™ support forums](#) are an engineer's go-to source for fast, verified answers and design help — straight from the experts. Search existing answers or ask your own question to get the quick design help you need.

Linked content is provided "AS IS" by the respective contributors. They do not constitute TI specifications and do not necessarily reflect TI's views; see TI's [Terms of Use](#).

10.4 Device Nomenclature

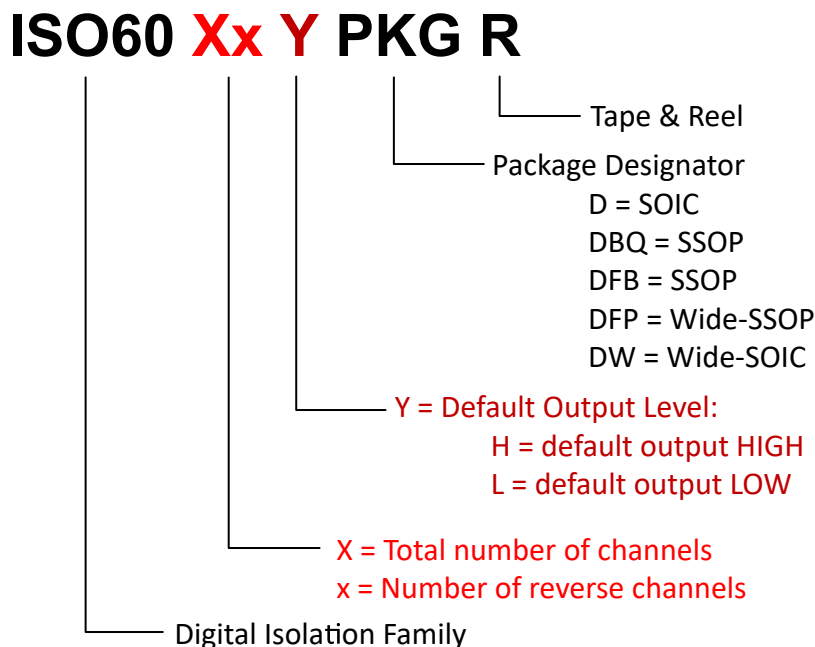


Figure 10-1. Device Nomenclature

10.5 Trademarks

TI E2E™ is a trademark of Texas Instruments.
All trademarks are the property of their respective owners.

10.6 Electrostatic Discharge Caution



This integrated circuit can be damaged by ESD. Texas Instruments recommends that all integrated circuits be handled with appropriate precautions. Failure to observe proper handling and installation procedures can cause damage.

ESD damage can range from subtle performance degradation to complete device failure. Precision integrated circuits may be more susceptible to damage because very small parametric changes could cause the device not to meet its published specifications.

10.7 Glossary

[TI Glossary](#) This glossary lists and explains terms, acronyms, and definitions.

11 Revision History

NOTE: Page numbers for previous revisions may differ from page numbers in the current version.

| DATE | REVISION | NOTES |
|------------|----------|-----------------|
| April 2026 | * | Initial Release |

12 Mechanical, Packaging, and Orderable Information

The following pages include mechanical packaging and orderable information. This information is the most current data available for the designated devices. This data is subject to change without notice and revision of this document. For browser-based versions of this data sheet, refer to the left-hand navigation.

PACKAGING INFORMATION

| Orderable part number | Status (1) | Material type (2) | Package Pins | Package qty Carrier | RoHS (3) | Lead finish/ Ball material (4) | MSL rating/ Peak reflow (5) | Op temp (°C) | Part marking (6) |
|-----------------------------|---------------|----------------------|----------------|-----------------------|-------------|--------------------------------------|-----------------------------------|--------------|---------------------|
| XISO6021LDR | Active | Preproduction | SOIC (D) 8 | 2500 LARGE T&R | - | Call TI | Call TI | - | |

(1) **Status:** For more details on status, see our [product life cycle](#).

(2) **Material type:** When designated, preproduction parts are prototypes/experimental devices, and are not yet approved or released for full production. Testing and final process, including without limitation quality assurance, reliability performance testing, and/or process qualification, may not yet be complete, and this item is subject to further changes or possible discontinuation. If available for ordering, purchases will be subject to an additional waiver at checkout, and are intended for early internal evaluation purposes only. These items are sold without warranties of any kind.

(3) **RoHS values:** Yes, No, RoHS Exempt. See the [TI RoHS Statement](#) for additional information and value definition.

(4) **Lead finish/Ball material:** Parts may have multiple material finish options. Finish options are separated by a vertical ruled line. Lead finish/Ball material values may wrap to two lines if the finish value exceeds the maximum column width.

(5) **MSL rating/Peak reflow:** The moisture sensitivity level ratings and peak solder (reflow) temperatures. In the event that a part has multiple moisture sensitivity ratings, only the lowest level per JEDEC standards is shown. Refer to the shipping label for the actual reflow temperature that will be used to mount the part to the printed circuit board.

(6) **Part marking:** There may be an additional marking, which relates to the logo, the lot trace code information, or the environmental category of the part.

Multiple part markings will be inside parentheses. Only one part marking contained in parentheses and separated by a "-" will appear on a part. If a line is indented then it is a continuation of the previous line and the two combined represent the entire part marking for that device.

Important Information and Disclaimer: The information provided on this page represents TI's knowledge and belief as of the date that it is provided. TI bases its knowledge and belief on information provided by third parties, and makes no representation or warranty as to the accuracy of such information. Efforts are underway to better integrate information from third parties. TI has taken and continues to take reasonable steps to provide representative and accurate information but may not have conducted destructive testing or chemical analysis on incoming materials and chemicals. TI and TI suppliers consider certain information to be proprietary, and thus CAS numbers and other limited information may not be available for release.

In no event shall TI's liability arising out of such information exceed the total purchase price of the TI part(s) at issue in this document sold by TI to Customer on an annual basis.



D0008A

PACKAGE OUTLINE

SOIC - 1.75 mm max height

SMALL OUTLINE INTEGRATED CIRCUIT



4214825/C 02/2019

NOTES:

- Linear dimensions are in inches [millimeters]. Dimensions in parenthesis are for reference only. Controlling dimensions are in inches. Dimensioning and tolerancing per ASME Y14.5M.
- This drawing is subject to change without notice.
- This dimension does not include mold flash, protrusions, or gate burrs. Mold flash, protrusions, or gate burrs shall not exceed $.006$ [0.15] per side.
- This dimension does not include interlead flash.
- Reference JEDEC registration MS-012, variation AA.

EXAMPLE BOARD LAYOUT

D0008A

SOIC - 1.75 mm max height

SMALL OUTLINE INTEGRATED CIRCUIT



LAND PATTERN EXAMPLE
 EXPOSED METAL SHOWN
 SCALE:8X



SOLDER MASK DETAILS

4214825/C 02/2019

NOTES: (continued)

- 6. Publication IPC-7351 may have alternate designs.
- 7. Solder mask tolerances between and around signal pads can vary based on board fabrication site.

EXAMPLE STENCIL DESIGN

D0008A

SOIC - 1.75 mm max height

SMALL OUTLINE INTEGRATED CIRCUIT



SOLDER PASTE EXAMPLE
BASED ON .005 INCH [0.125 MM] THICK STENCIL
SCALE:8X

4214825/C 02/2019

NOTES: (continued)

8. Laser cutting apertures with trapezoidal walls and rounded corners may offer better paste release. IPC-7525 may have alternate design recommendations.
9. Board assembly site may have different recommendations for stencil design.

IMPORTANT NOTICE AND DISCLAIMER

TI PROVIDES TECHNICAL AND RELIABILITY DATA (INCLUDING DATASHEETS), DESIGN RESOURCES (INCLUDING REFERENCE DESIGNS), APPLICATION OR OTHER DESIGN ADVICE, WEB TOOLS, SAFETY INFORMATION, AND OTHER RESOURCES "AS IS" AND WITH ALL FAULTS, AND DISCLAIMS ALL WARRANTIES, EXPRESS AND IMPLIED, INCLUDING WITHOUT LIMITATION ANY IMPLIED WARRANTIES OF MERCHANTABILITY, FITNESS FOR A PARTICULAR PURPOSE OR NON-INFRINGEMENT OF THIRD PARTY INTELLECTUAL PROPERTY RIGHTS.

These resources are intended for skilled developers designing with TI products. You are solely responsible for (1) selecting the appropriate TI products for your application, (2) designing, validating and testing your application, and (3) ensuring your application meets applicable standards, and any other safety, security, regulatory or other requirements.

These resources are subject to change without notice. TI grants you permission to use these resources only for development of an application that uses the TI products described in the resource. Other reproduction and display of these resources is prohibited. No license is granted to any other TI intellectual property right or to any third party intellectual property right. TI disclaims responsibility for, and you fully indemnify TI and its representatives against any claims, damages, costs, losses, and liabilities arising out of your use of these resources.

TI's products are provided subject to [TI's Terms of Sale](#), [TI's General Quality Guidelines](#), or other applicable terms available either on [ti.com](#) or provided in conjunction with such TI products. TI's provision of these resources does not expand or otherwise alter TI's applicable warranties or warranty disclaimers for TI products. Unless TI explicitly designates a product as custom or customer-specified, TI products are standard, catalog, general purpose devices.

TI objects to and rejects any additional or different terms you may propose.

Copyright © 2026, Texas Instruments Incorporated

Last updated 10/2025