

# LMK5C22212A 2-DPLL 2-APLL 2-IN 12-OUT Network Synchronizer With JESD204B/C and BAW for Wireless Communications

## 1 Features

- Ultra-low jitter BAW VCO based Wireless Infrastructure and Ethernet clocks
  - 40fs typical/ 57fs maximum RMS jitter at 491.52MHz
  - 50fs typical/ 62fs maximum RMS jitter at 245.76MHz
- 2 high-performance Digital Phase Locked Loops (DPLLs) with 2 Analog Phase Locked Loops (APLLs)
  - Programmable DPLL loop filter bandwidth from 1mHz to 4kHz
  - < 1ppt DCO frequency adjustment step size
- 2 differential or single-ended DPLL inputs
  - 1Hz (1PPS) to 800MHz input frequency
  - Digital [Holdover](#) and [Hitless Switching](#)
- 12 differential outputs with programmable HSDS, AC-LVPECL, LVDS and HSCL formats
  - Up to 16 total frequency outputs when configured with 6 LVCMOS frequency outputs on OUT0\_P/N, OUT1\_P/N, GPIO1 and GPIO2 and 10 differential outputs on OUT2\_P/N to OUT11\_P/N
  - 1Hz (1PPS) to 1250MHz output frequency with programmable swing and common mode
  - PCIe Gen 1 to 6 compliant
- I<sup>2</sup>C or 3-wire/4-wire SPI

## 2 Applications

- 4G and 5G Wireless Networks
  - [Active Antenna System \(AAS\)](#), [mMIMO](#)
  - [Macro Remote Radio Unit \(RRU\)](#)
  - CPRI/eCPRI [Baseband](#), Centralized, Distributed Units (BBU, CU, DU)
  - [Small cell base station](#)
- SyncE (G.8262), SONET/SDH (Stratum 3/3E, G.813, GR-1244, GR-253), IEEE-1588 PTP secondary clock
- Jitter cleaning, wander attenuation, and reference clock generation for 112G/224G PAM4 SerDes
- Optical Transport Networks (OTN G.709)
- [Broadband fixed line access](#)
- [Industrial](#)
  - [Test and measurement](#)

## 3 Description

The LMK5C22212A is a high-performance network synchronizer and jitter cleaner designed to meet the stringent requirements of wireless communications and infrastructure applications.

The network synchronizer integrates 2 DPLLs to provide hitless switching and jitter attenuation with programmable loop bandwidth and no external loop filters, maximizing flexibility and ease of use. Each DPLL phase locks a paired APLL to a reference input.

APLL1 features ultra high performance PLL with TI's proprietary Bulk Acoustic Wave (BAW) technology (known as the BAW APLL) and can generate output clocks with 40fs typical / 60fs maximum 12kHz to 20MHz RMS jitter at 491.52MHz, independent of the jitter and frequency of the XO and DPLL reference inputs. APLL2/DPLL2 provides an option for a second frequency and/or synchronization domain.

Reference validation circuitry monitors the DPLL reference clocks and performs a hitless switch between inputs upon detecting a switchover event. [Zero-Delay Mode \(ZDM\)](#) and phase cancellation can be enabled to control the phase relationship from input to outputs.

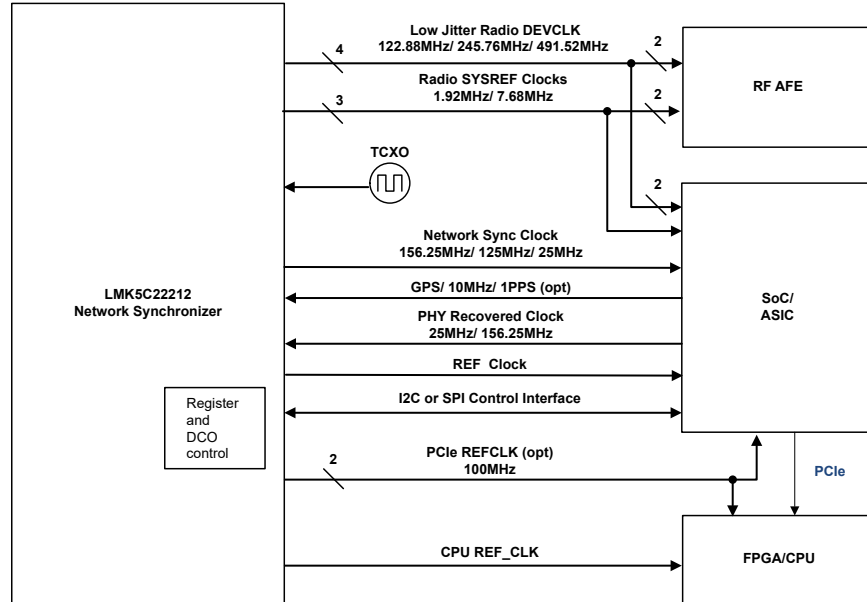
The device is fully programmable through I2C or SPI. The integrated [EEPROM](#) can be used to customize system start-up clocks. The device also features factory default [ROM profiles](#) as fallback options.

### Package Information

| PART NUMBER | PACKAGE <sup>(1)</sup> | PACKAGE SIZE <sup>(2)</sup> |
|-------------|------------------------|-----------------------------|
| LMK5C22212A | RGC (VQFN, 64)         | 9.00mm × 9.00mm             |

- (1) For all available packages, see the orderable addendum at the end of the data sheet.
- (2) The package size (length × width) is a nominal value and includes pins, where applicable.





LMK5C22212A Typical System Block Diagram

ADVANCE INFORMATION

## Table of Contents

|   |           |  |           |
|---|-----------|--|-----------|
| <b>1 Features</b> .....                               | <b>1</b>  | 7.3 Feature Description.....                                     | <b>36</b> |
| <b>2 Applications</b> .....                           | <b>1</b>  | 7.4 Device Functional Modes.....                                 | <b>65</b> |
| <b>3 Description</b> .....                            | <b>1</b>  | <b>8 Application and Implementation</b> .....                    | <b>81</b> |
| <b>4 Pin Configuration and Functions</b> .....        | <b>4</b>  | 8.1 Application Information.....                                 | <b>81</b> |
| <b>5 Specifications</b> .....                         | <b>7</b>  | 8.2 Typical Application.....                                     | <b>84</b> |
| 5.1 Absolute Maximum Ratings.....                     | <b>7</b>  | 8.3 Best Design Practices.....                                   | <b>89</b> |
| 5.2 ESD Ratings.....                                  | <b>7</b>  | 8.4 Power Supply Recommendations.....                            | <b>89</b> |
| 5.3 Recommended Operating Conditions.....             | <b>7</b>  | 8.5 Layout.....  | <b>90</b> |
| 5.4 Thermal Information.....                          | <b>8</b>  | <b>9 Device and Documentation Support</b> .....                  | <b>92</b> |
| 5.5 Electrical Characteristics.....                   | <b>8</b>  | 9.1 Documentation Support.....                                   | <b>92</b> |
| 5.6 Timing Diagrams.....                              | <b>17</b> | 9.2 Receiving Notification of Documentation Updates... <b>93</b> |           |
| 5.7 Typical Characteristics.....                      | <b>21</b> | 9.3 Support Resources.....                                       | <b>93</b> |
| <b>6 Parameter Measurement Information</b> .....      | <b>24</b> | 9.4 Trademarks.....  | <b>93</b> |
| 6.1 Differential Voltage Measurement Terminology..... | <b>24</b> | 9.5 Glossary.....  | <b>93</b> |
| 6.2 Output Clock Test Configurations.....             | <b>25</b> | 9.6 Electrostatic Discharge Caution.....                         | <b>93</b> |
| <b>7 Detailed Description</b> .....                   | <b>27</b> | <b>10 Revision History</b> .....                                 | <b>93</b> |
| 7.1 Overview.....                                     | <b>27</b> | <b>11 Mechanical, Packaging, and Orderable Information</b> ..... | <b>93</b> |
| 7.2 Functional Block Diagram.....                     | <b>28</b> |  |           |

## 4 Pin Configuration and Functions

ADVANCE INFORMATION

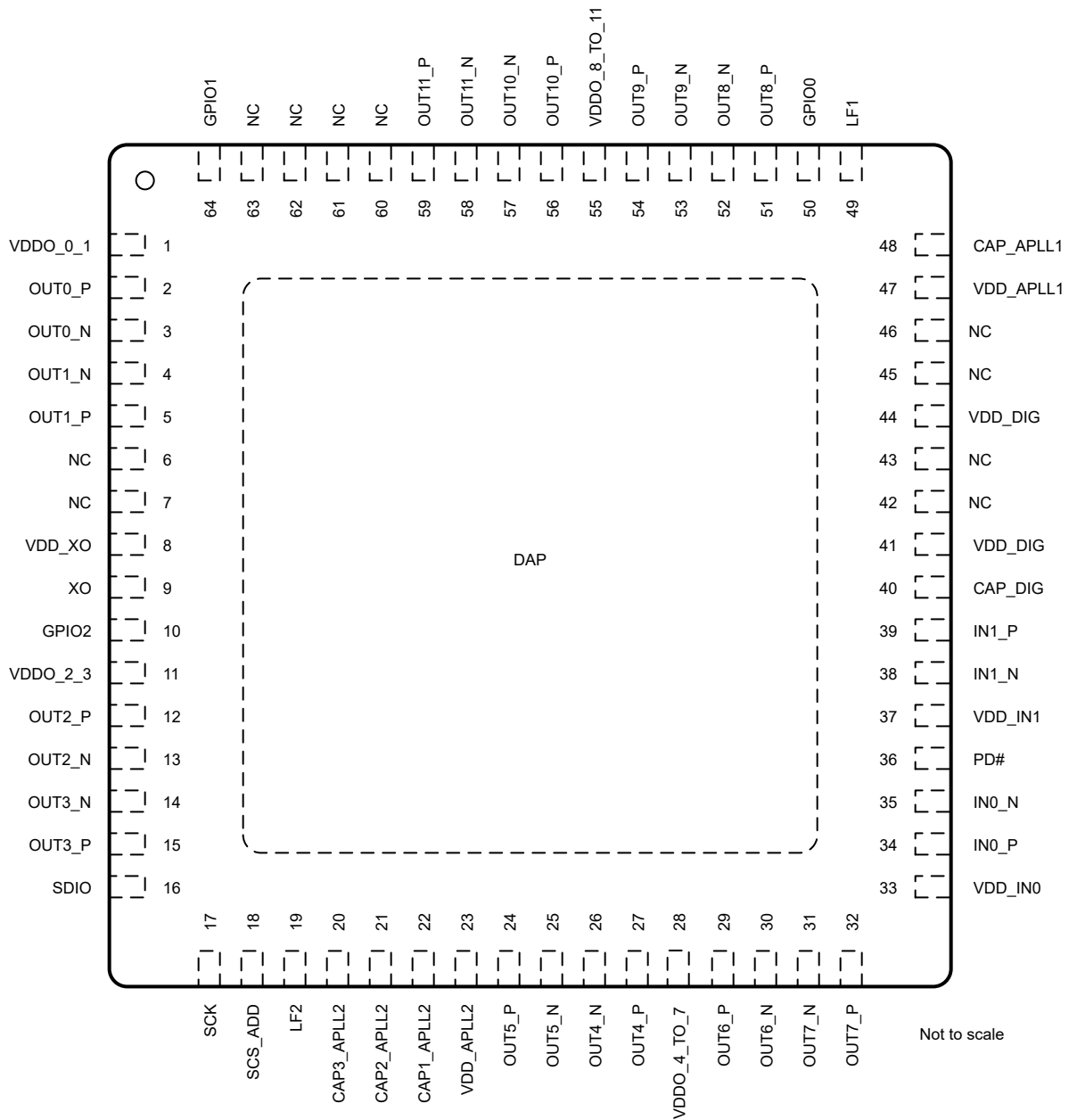


Figure 4-1. LMK5C22212A RGC Package 64-Pin VQFN Top View

Table 4-1. LMK5C22212A Pin Functions

| PIN          |     | TYPE <sup>(1)</sup> | DESCRIPTION   |
|--------------|-----|---------------------|---|
| NAME         | NO. |                     |   |
| <b>POWER</b> |     |                     |   |
| VDDO_0_1     | 1   | P                   | Power supply for OUT0 and OUT1. Connect to supply; do not leave floating or connect to GND. |
| VDD_XO       | 8   | P                   | Power supply for XO. Connect to supply; do not leave floating or connect to GND.            |
| VDDO_2_3     | 11  | P                   | Power supply for OUT2 and OUT3. Connect to supply; do not leave floating or connect to GND. |
| VDD_APLL2    | 23  | P                   | Power supply for APLL2  |

**Table 4-1. LMK5C22212A Pin Functions (continued)**

| PIN          |     | TYPE <sup>(1)</sup> | DESCRIPTION   |
|--------------|-----|---------------------|---|
| NAME         | NO. |                     |   |
| VDDO_4_To_7  | 28  | P                   | Power supply for OUT4 to OUT7   |
| VDD_IN0      | 33  | P                   | Power supply for IN0 DPLL reference   |
| VDD_IN1      | 37  | P                   | Power supply for IN1 DPLL reference   |
| VDD_DIG      | 41  | P                   | Power supply for digital  |
| VDD_DIG      | 44  | p                   | Power supply for digital. Typically connected to pin 41.  |
| VDD_APLL1    | 47  | P                   | Power supply for APLL1. Connect to supply; do not leave floating or connect to GND.   |
| VDDO_8_TO_11 | 55  | P                   | Power supply for OUT8 to OUT11.   |
| DAP          | N/A | G                   | Ground  |
| LF2          | 19  | A                   | External loop filter cap for APLL2 (100nF), refer to <a href="#">APLL Loop Filters (LF1, LF2)</a> for more details.   |
| CAP3_APLL2   | 20  | A                   | Internal bias bypass capacitor for APLL2 VCO (10µF)   |
| CAP2_APLL2   | 21  | A                   | Internal bias bypass capacitor for APLL2 VCO (10µF)   |
| CAP1_APLL2   | 22  | A                   | LDO bypass capacitor for APLL2 VCO (10µF)   |
| CAP_DIG      | 40  | A                   | LDO bypass capacitor for Digital Core Logic (100nF)   |
| CAP_APLL1    | 48  | A                   | Internal bias bypass capacitor for APLL1 (10µF)   |
| LF1          | 49  | A                   | External loop filter cap for APLL1 (470nF), refer to <a href="#">APLL Loop Filters (LF1, LF2)</a> for more details.   |
| XO           | 9   | I                   | XO/TCXO/OCXO input pin, refer to <a href="#">Oscillator Input (XO)</a> for configuring the internal XO input termination.   |
| IN0_P        | 34  | I                   | Reference input to DPLLx or buffered to OUT0 or OUT1. Refer to <a href="#">Reference Inputs</a> for configuring the internal reference input termination.   |
| IN0_N        | 35  | I                   |   |
| IN1_P        | 39  | I                   | Reference input to DPLLx or buffered to OUT0 or OUT1. Refer to <a href="#">Reference Inputs</a> for configuring the internal reference input termination.   |
| IN1_N        | 38  | I                   |   |
| OUT0_P       | 2   | O                   | Clock Output 0. Sources from DPLL reference inputs, XO, or all VCO post-dividers. Supports <a href="#">SYSREF/1-PPS</a> output. Programmable formats: AC-LVPECL, LVDS, HSDS, HCSL, 1.8V LVCMOS, or 2.65V LVCMOS. Refer to <a href="#">Clock Outputs</a> for details on configuring and terminating the outputs. |
| OUT0_N       | 3   | O                   |   |
| OUT1_N       | 4   | O                   | Clock Output 1. Sources from DPLL reference inputs, XO, or all VCO post-dividers. Supports <a href="#">SYSREF/1-PPS</a> output. Programmable formats: AC-LVPECL, LVDS, HSDS, HCSL, 1.8V LVCMOS, or 2.65V LVCMOS. Refer to <a href="#">Clock Outputs</a> for details on configuring and terminating the outputs. |
| OUT1_P       | 5   | O                   |   |
| OUT2_P       | 12  | O                   | Clock Output 2. Sources from APLL1 and APLL2. Programmable formats: AC-LVPECL, LVDS, HSDS or HCSL. Refer to <a href="#">Clock Outputs</a> for details on configuring and terminating the outputs.   |
| OUT2_N       | 13  | O                   |   |
| OUT3_N       | 14  | O                   | Clock Output 3. Sources from APLL1 and APLL2. Programmable formats: AC-LVPECL, LVDS, HSDS or HCSL. Refer to <a href="#">Clock Outputs</a> for details on configuring and terminating the outputs.   |
| OUT3_P       | 15  | O                   |   |
| OUT4_P       | 26  | O                   | Clock Output 4. Sources from APLL1 or APLL2. Supports <a href="#">SYSREF/1-PPS</a> output. Programmable formats: AC-LVPECL, LVDS, HSDS or HCSL. Refer to <a href="#">Clock Outputs</a> for details on configuring and terminating the outputs.  |
| OUT4_N       | 27  | O                   |   |
| OUT5_P       | 24  | O                   | Clock Output 5. Sources from APLL1 or APLL2. Supports <a href="#">SYSREF/1-PPS</a> output. Programmable formats: AC-LVPECL, LVDS, HSDS or HCSL. Refer to <a href="#">Clock Outputs</a> for details on configuring and terminating the outputs.  |
| OUT5_N       | 25  | O                   |   |
| OUT6_P       | 29  | O                   | Clock Output 6. Sources from APLL1 or APLL2. Supports <a href="#">SYSREF/1-PPS</a> output. Programmable formats: AC-LVPECL, LVDS, HSDS or HCSL. Refer to <a href="#">Clock Outputs</a> for details on configuring and terminating the outputs.  |
| OUT6_N       | 30  | O                   |   |
| OUT7_N       | 31  | O                   | Clock Output 7. Sources from APLL1 or APLL2. Supports <a href="#">SYSREF/1-PPS</a> output. Programmable formats: AC-LVPECL, LVDS, HSDS or HCSL. Refer to <a href="#">Clock Outputs</a> for details on configuring and terminating the outputs.  |
| OUT7_P       | 32  | O                   |   |

Table 4-1. LMK5C22212A Pin Functions (continued)

| PIN                    |     | TYPE <sup>(1)</sup> | DESCRIPTION   |
|------------------------|-----|---------------------|---|
| NAME                   | NO. |                     |   |
| OUT8_P                 | 51  | O                   | Clock Output 8. Sources from APLL1 or APLL2. Supports <a href="#">SYSREF/1-PPS</a> output. Programmable formats: AC-LVPECL, LVDS, HSDS or HCSL. Refer to <a href="#">Clock Outputs</a> for details on configuring and terminating the outputs.  |
| OUT8_N                 | 52  | O                   |   |
| OUT9_N                 | 53  | O                   | Clock Output 9. Sources from APLL1 or APLL2. Supports <a href="#">SYSREF/1-PPS</a> output. Programmable formats: AC-LVPECL, LVDS, HSDS or HCSL. Refer to <a href="#">Clock Outputs</a> for details on configuring and terminating the outputs.  |
| OUT9_P                 | 54  | O                   |   |
| OUT10_P                | 56  | O                   | Clock Output 10. Sources from APLL1 or APLL2. Supports <a href="#">SYSREF/1-PPS</a> output. Programmable formats: AC-LVPECL, LVDS, HSDS or HCSL. Refer to <a href="#">Clock Outputs</a> for details on configuring and terminating the outputs. |
| OUT10_N                | 57  | O                   |   |
| OUT11_N                | 58  | O                   | Clock Output 11. Sources from APLL1 or APLL2. Supports <a href="#">SYSREF/1-PPS</a> output. Programmable formats: AC-LVPECL, LVDS, HSDS or HCSL. Refer to <a href="#">Clock Outputs</a> for details on configuring and terminating the outputs. |
| OUT11_P                | 59  | O                   |   |
| GPIO2 <sup>(2)</sup>   | 10  | I/O, S              | POR: See <a href="#">ROM Page Selection</a><br>Normal Operation: GPIO input or output   |
| SDIO <sup>(3)</sup>    | 16  | I/O                 | SPI or I <sup>2</sup> C Data (SDA)  |
| SCK <sup>(3)</sup>     | 17  | I                   | SPI or I <sup>2</sup> C Clock (SCL)   |
| SCS_ADD <sup>(2)</sup> | 18  | I, S                | POR: I <sup>2</sup> C address select (see <a href="#">GPIO1 and SCS_ADD Functionalities</a> and <a href="#">I<sup>2</sup>C Serial Interface</a> )<br>Normal Operation: SPI Chip Select (2-state)  |
| PD#                    | 36  | I                   | Device power down (active low), internal 200kΩ pullup to V <sub>CC</sub>  |
| GPIO0 <sup>(2)</sup>   | 50  | I/O, S              | POR: See <a href="#">ROM Page Selection</a><br>Normal Operation: GPIO input or output   |
| GPIO1 <sup>(2)</sup>   | 64  | I/O, S              | POR: See <a href="#">GPIO1 and SCS_ADD Functionalities</a><br>Normal Operation: GPIO input or output  |
| NC                     | 6   | -                   | No connect. Leave floating, do not connect to GND.  |
| NC                     | 7   | -                   |   |
| NC                     | 60  | -                   |   |
| NC                     | 61  | -                   |   |
| NC                     | 62  | -                   |   |
| NC                     | 63  | -                   | No connect. Leave floating or connect to GND.   |
| NC                     | 42  | -                   |   |
| NC                     | 43  | -                   |   |
| NC                     | 45  | -                   |   |
| NC                     | 46  | -                   |   |

- (1) P = Power, G = Ground, I = Input, O = Output, I/O = Input or Output, A = Analog, S = Configuration.
- (2) When 3-level mode is enabled during power supply ramp or when PD# is LOW: internal voltage divider of 555kΩ to V<sub>CC</sub> and 201kΩ to GND. When 2 level input mode is enabled: internal 408kΩ pulldown to GND.
- (3) 670kΩ pullup to internal 2.6V LDO.

ADVANCE INFORMATION

## 5 Specifications

### 5.1 Absolute Maximum Ratings

Over operating free-air temperature range (unless otherwise noted)<sup>(1)</sup>

|                        |  | MIN  | MAX      | UNIT |
|------------------------|--|------|----------|------|
| VDD <sup>(2)</sup>     | Core supply voltages                           | -0.3 | 3.6      | V    |
| VDDO <sup>(3)</sup>    | Output supply voltages                         | -0.3 | 3.6      | V    |
| V <sub>IN</sub>        | Input voltage range for clock and logic inputs | -0.3 | VDD+0.3  | V    |
| V <sub>OUT_LOGIC</sub> | Output voltage range for logic outputs         | -0.3 | VDD+0.3  | V    |
| V <sub>OUT</sub>       | Output voltage range for clock outputs         | -0.3 | VDDO+0.3 | V    |
| T <sub>J</sub>         | Junction temperature                           |      | 150      | °C   |
| T <sub>stg</sub>       | Storage temperature range                      | -65  | 150      | °C   |

- Operation outside the Absolute Maximum Ratings may cause permanent device damage. Absolute Maximum Ratings do not imply functional operation of the device at these or any other conditions beyond those listed under Recommended Operating Conditions. If used outside the Recommended Operating Conditions but within the Absolute Maximum Ratings, the device may not be fully functional, and this may affect device reliability, functionality, performance, and shorten the device lifetime.
- VDD refers to all core supply pins or voltages. All VDD core supplies should be powered-on before the PD# is pulled high to trigger the internal power-on reset (POR).
- VDDO refers to all output supply pins or voltages. VDDO\_x refers to the output supply for a specific output channel, where x denotes the channel index.

### 5.2 ESD Ratings

|                    |                         |   | VALUE | UNIT |
|--------------------|-------------------------|---|-------|------|
| V <sub>(ESD)</sub> | Electrostatic discharge | Human body model (HBM), per ANSI/ESDA/JEDEC JS-001, all pins <sup>(1)</sup>     | ±2000 | V    |
|                    |                         | Charged device model (CDM), per ANSI/ESDA/JEDEC JS-002, all pins <sup>(2)</sup> | ±750  |      |

- JEDEC document JEP155 states that 500V HBM allows safe manufacturing with a standard ESD control process.
- JEDEC document JEP157 states that 250V CDM allows safe manufacturing with a standard ESD control process.

### 5.3 Recommended Operating Conditions

Over operating free-air temperature range (unless otherwise noted)

|                        |  | MIN   | NOM | MAX   | UNIT |
|------------------------|--|-------|-----|-------|------|
| VDD <sup>(1)</sup>     | Core supply voltages   | 3.135 | 3.3 | 3.465 | V    |
| VDDO_x <sup>(2)</sup>  | Output supply voltages <sup>(3)</sup>                          | 3.135 | 3.3 | 3.465 | V    |
| VDD <sub>OD</sub>      | Output voltage range for open drain outputs                    | 1.71  |     | 3.465 | V    |
| T <sub>A</sub>         | Operating ambient temperature range                            | -40   |     | 85    | °C   |
| T <sub>J</sub>         | Junction temperature   |       |     | 135   | °C   |
| T <sub>CONT-LOCK</sub> | Continuous lock over temperature - no VCO recalibration needed |       |     | 125   | °C   |
| t <sub>VDD</sub>       | Power supply ramp time <sup>(4)</sup>                          | 0.01  |     | 100   | ms   |

- VDD refers to all core supply pins or voltages. All VDD core supplies must be powered-on before internal power-on reset (POR).
- VDDO refers to all output supply pins or voltages. VDDO\_x refers to the output supply for a specific output channel, where x denotes the channel index.
- CMOS output voltage levels are determined by internal programming of the CMOS output LDO to support either 1.8V or 2.65V.
- Time for VDD to ramp monotonically above 2.7V for proper internal power-on reset. For slower or non-monotonic VDD ramp, hold PD# low until after VDD voltages are valid.

## 5.4 Thermal Information

| THERMAL METRIC <sup>(1) (2) (3)</sup> |  | LMK5C22212A | UNIT |
|---------------------------------------|--|-------------|------|
|                                       |  | RGC (VQFN)  |      |
|                                       |  | 64 PINS     |      |
| R <sub>θJA</sub>                      | Junction-to-ambient thermal resistance       | 21.8        | °C/W |
| R <sub>θJC(top)</sub>                 | Junction-to-case (top) thermal resistance    | 11.1        | °C/W |
| R <sub>θJB</sub>                      | Junction-to-board thermal resistance         | 6.5         | °C/W |
| R <sub>θJC(bot)</sub>                 | Junction-to-case (bottom) thermal resistance | 0.8         | °C/W |
| Ψ <sub>JT</sub>                       | Junction-to-top characterization parameter   | 0.3         | °C/W |
| Ψ <sub>JB</sub>                       | Junction-to-board characterization parameter | 6.3         | °C/W |

- (1) For more information about traditional and new thermal metrics, see the application note, [Semiconductor and IC Package Thermal Metrics](#).
- (2) The thermal information is based on a 10-layer 200mm x 250mm board with 49 thermal vias (7mm x 7mm pattern, 0.3mm holes).
- (3) Ψ<sub>JB</sub> can allow the system designer to measure the board temperature (T<sub>PCB</sub>) with a fine-gauge thermocouple and back-calculate the device junction temperature, T<sub>J</sub> = T<sub>PCB</sub> + (Ψ<sub>JB</sub> x Power). Measurement of Ψ<sub>JB</sub> is defined by JESD51-6.

## 5.5 Electrical Characteristics

Over Recommended Operating Conditions (unless otherwise noted)

| PARAMETER                                  |   | TEST CONDITIONS  | MIN | TYP  | MAX | UNIT |
|--|---|--|-----|------|-----|------|
| <b>Current Consumption Characteristics</b> |   |  |     |      |     |      |
| I <sub>DD_TOT</sub>                        | Total current consumption with specified configuration  | 245.76MHz from OUT0 to OUT11 LVDS outputs, BAW APLL post-divider = 5, div2 enabled, channel dividers bypassed, DPLL2 and APLL2 disabled. |     | 750  |     | mA   |
|  |   | 245.76MHz from OUT0 to OUT11, HSDS outputs, channel dividers enabled, BAW APLL post divider bypassed, DPLL2 and APLL2 disabled.          |     | 890  |     | mA   |
|  |   | OUT0 to OUT11 HSDS outputs, BAW APLL and APLL2 enabled.  |     | 1000 |     | mA   |
| I <sub>DD-XO</sub>                         | XO input current consumption                            | XO   |     | 3.5  |     | mA   |
| I <sub>DD-XO2X</sub>                       | Current consumption per XO doubler                      | XO doubler <sup>(1)</sup>  |     | 0.3  |     | mA   |
| I <sub>DD-INX</sub>                        | Core current consumption per DPLL reference input block | IN0  |     | 3.6  |     | mA   |
|  |   | IN1  |     | 3.1  |     | mA   |
| I <sub>DD-DPLL</sub>                       | Current consumption per DPLL                            | DPLL <sup>(2)</sup>  |     | 55   |     | mA   |
| I <sub>DD-APLL2</sub>                      | APLL2 current consumption                               | APLL2  |     | 160  |     | mA   |
| I <sub>DD-APLL1</sub>                      | APLL1 current consumption                               | APLL1  |     | 120  |     | mA   |
| I <sub>DD-ANA</sub>                        | Analog bias current consumption                         | Analog circuitry from VDDXO supply pin. Always on when device is enabled.  |     | 42   |     | mA   |
| I <sub>DD-DIG</sub>                        | Digital control current consumption                     | Digital control circuitry from VDD_DIG supply pin., Always on when device is enabled.  |     | 34   |     | mA   |
| I <sub>DDO-CHDIV</sub>                     | Current consumption per channel divider block           | 12-bit channel divider   |     | 20   |     | mA   |
| I <sub>DDO-1PPSDIV</sub>                   | Current consumption per 1PPS/SYSREF divider block       | 20-bit 1PPS/SYSREF divider   |     | 12   |     | mA   |
| I <sub>DDO-DELAY</sub>                     | Current consumption per 1PPS/SYSREF analog delay block  | Analog delay function enabled  |     | 10   |     | mA   |



Over Recommended Operating Conditions (unless otherwise noted)

| PARAMETER                                    |  | TEST CONDITIONS   | MIN     | TYP       | MAX     | UNIT            |
|--|--|---|---------|-----------|---------|-----------------|
| I <sub>DDO-HSDS</sub>                        | HSDS current consumption per output driver | HSDS buffer (VCM level = s1, I <sub>out</sub> = 4mA, 100Ω termination)                                      |         | 19        |         | mA              |
|  |  | HSDS buffer (VCM level = s1, I <sub>out</sub> = 7mA, 100Ω termination)                                      |         | 22        |         | mA              |
|  |  | HSDS buffer (VCM level = s1, I <sub>out</sub> = 10mA, 100Ω termination)                                     |         | 25        |         | mA              |
| I <sub>DDO-HCSL</sub>                        | HCSL current consumption per output driver | HCSL output (50Ω termination per side)  |         | 30.5      |         | mA              |
| I <sub>DD_PD</sub>                           | Power-down current consumption             | Device powered-down, PD# = LOW  |         | 90        | 110     | mA              |
| <b>Reference Input Characteristics (INx)</b> |  |   |         |           |         |                 |
| f <sub>IN</sub>                              | INx frequency range                        | Single-ended input  | 0.5E-6  |           | 200     | MHz             |
|  |  | Differential input  | 5       |           | 800     |                 |
| V <sub>IH</sub>                              | Single-ended input high voltage            | DC-coupled input mode <sup>(3)</sup>  | 1.2     | VDD + 0.3 |         | V               |
| V <sub>IL</sub>                              | Single-ended input low voltage             |   | 0.5     |           |         | V               |
| V <sub>IN-SE-PP</sub>                        | Single-ended input voltage swing           | AC-coupled input mode <sup>(4)</sup>  | 0.4     |           | 2       | V <sub>pp</sub> |
| V <sub>IN-DIFF-PP</sub>                      | Differential input voltage swing           | AC- or DC- coupled input <sup>(5)</sup>   | 0.4     |           | 2       | V <sub>pp</sub> |
| V <sub>ICM</sub>                             | Input Common Mode                          | DC- coupled differential input <sup>(6)</sup>   | 0.1     |           | 2       | V               |
| dV/dt  | Input slew rate                            | Single-ended input  | 0.2     | 0.5       |         | V/ns            |
|  |  | Differential input  | 0.2     | 0.5       |         | V/ns            |
| IDC  | Input Clock Duty Cycle                     | Non 1PPS signal   | 40      |           | 60      | %               |
| t <sub>PULSE-1PPS</sub>                      | 1PPS pulse width for input                 | 1PPS or pulsed signal   | 100     |           |         | ns              |
| I <sub>IN-DC</sub>                           | DC input leakage current                   | Single pin INx_P or INx_N, 50Ω and 100Ω internal terminations disabled, AC coupled mode enabled or disabled | -350    |           | 350     | μA              |
| C <sub>IN</sub>                              | Input capacitance                          | Single-ended, each pin  |         | 2         |         | pF              |
| <b>XO/TCXO Input Characteristics (XO)</b>    |  |   |         |           |         |                 |
| f <sub>CLK</sub>                             | XO input frequency range <sup>(7)</sup>    |   | 10      |           | 156.25  | MHz             |
| V <sub>IH</sub>                              | LVC MOS Input high voltage                 | DC-coupled input mode <sup>(8)</sup>  | 1.4     | VDD + 0.3 |         | V               |
| V <sub>IL</sub>                              | LVC MOS Input low voltage                  |   | 0.8     |           |         | V               |
| V <sub>IN-SE</sub>                           | Single-ended input voltage swing           | AC-coupled input mode <sup>(9)</sup>  | 0.4     | VDD + 0.3 |         | V <sub>pp</sub> |
| dV/dt  | Input slew rate                            |   | 0.2     | 0.5       |         | V/ns            |
| IDC  | Input duty cycle                           |   | 40      |           | 60      | %               |
| I <sub>IN-DC</sub>                           | DC Input leakage current                   | Single pin XO_P, 50Ω and 100Ω internal terminations disabled  | -350    |           | 350     | μA              |
| C <sub>IN</sub>                              | Input capacitance on each pin              |   |         | 1         |         | pF              |
| C <sub>EXT</sub>                             | External AC coupling cap                   |   |         | 10        |         | nF              |
| <b>APLL/VCO Characteristics</b>              |  |   |         |           |         |                 |
| f <sub>PFD</sub>                             | PFD frequency range                        | BAW APLL Fractional feedback divider  |         |           | 110     | MHz             |
|  |  | APLL2 Fractional feedback divider   |         |           | 125     | MHz             |
| f <sub>VCO2</sub>                            | VCO2 Frequency range                       |   | 5595    |           | 5950    | MHz             |
| f <sub>VCO1</sub>                            | VCO1 Frequency range                       |   | 2457.35 | 2457.6    | 2457.85 | MHz             |
| t <sub>APLL2-LOCK</sub>                      | APLL2 lock time                            | Time between soft or hard reset and stable APLL2 output.  |         | 350       | 460     | ms              |
| t <sub>BAW APLL-LOCK</sub>                   | BAW APLL lock time                         | Time between soft or hard reset and stable BAW APLL output.   |         | 12.5      | 13      | ms              |

Over Recommended Operating Conditions (unless otherwise noted)

| PARAMETER   |                             | TEST CONDITIONS  | MIN   | TYP                    | MAX   | UNIT |
|---|-----------------------------|--|-------|------------------------|-------|------|
| <b>HSDS Output Characteristics (OUTx)</b>                               |                             |  |       |                        |       |      |
| $f_{OUT}$   | Output frequency range      |  | 1E-6  |                        | 1250  | MHz  |
| $V_{OUT-DIFF}$  | Differential output swing   |  |       | $2 \times V_{OD-HSDS}$ |       | mVpp |
| $V_{OD-HSDS}$   | HSDS output voltage swing   | $f_{out} < 100\text{MHz}$ , $I_{out} = 4\text{mA}$   | 350   | 400                    | 440   | mV   |
|   |                             | $f_{out} < 100\text{MHz}$ , $I_{out} = 7\text{mA}$   | 625   | 700                    | 750   | mV   |
|   |                             | $f_{out} < 100\text{MHz}$ , $I_{out} = 10\text{mA}$  | 900   | 975                    | 1050  | mV   |
|   |                             | $100\text{MHz} \leq f_{out} \leq 325\text{MHz}$ , $I_{out} = 4\text{mA}$   | 335   | 400                    | 445   | mV   |
|   |                             | $100\text{MHz} \leq f_{out} \leq 325\text{MHz}$ , $I_{out} = 5\text{mA}$   | 425   | 500                    | 575   | mV   |
|   |                             | $100\text{MHz} \leq f_{out} \leq 325\text{MHz}$ , $I_{out} = 6\text{mA}$   | 510   | 600                    | 690   | mV   |
|   |                             | $100\text{MHz} \leq f_{out} \leq 325\text{MHz}$ , $I_{out} = 7\text{mA}$   | 595   | 700                    | 805   | mV   |
|   |                             | $100\text{MHz} \leq f_{out} \leq 325\text{MHz}$ , $I_{out} = 8\text{mA}$   | 680   | 800                    | 920   | mV   |
|   |                             | $100\text{MHz} \leq f_{out} \leq 325\text{MHz}$ , $I_{out} = 9\text{mA}$   | 765   | 900                    | 1035  | mV   |
|   |                             | $100\text{MHz} \leq f_{out} \leq 325\text{MHz}$ , $I_{out} = 10\text{mA}$  | 850   | 1000                   | 1150  | mV   |
|   |                             | $325\text{MHz} < f_{out} \leq 800\text{MHz}$ , $I_{out} = 4\text{mA}$  | 300   | 350                    | 400   | mV   |
|   |                             | $325\text{MHz} < f_{out} \leq 800\text{MHz}$ , $I_{out} = 7\text{mA}$  | 580   | 640                    | 700   | mV   |
|   |                             | $325\text{MHz} < f_{out} \leq 800\text{MHz}$ , $I_{out} = 10\text{mA}$   | 800   | 865                    | 940   | mV   |
|   |                             | $800\text{MHz} < f_{out} \leq 1250\text{MHz}$ , $I_{out} = 4\text{mA}$   | 235   | 320                    | 400   | mV   |
| $800\text{MHz} < f_{out} \leq 1250\text{MHz}$ , $I_{out} = 7\text{mA}$  | 480                         | 625  | 740   | mV                     |       |      |
| $800\text{MHz} < f_{out} \leq 1250\text{MHz}$ , $I_{out} = 10\text{mA}$ | 600                         | 800  | 1000  | mV                     |       |      |
| $V_{OH}$  | Output voltage high         |  |       | $V_{OL} + V_{OD}$      |       | mVpp |
| $V_{OL}$  | Output voltage low          | VCM level = s1   | 50    | 150                    | 250   | mV   |
|   |                             | VCM level = s2+3   | 300   | 470                    | 720   | mV   |
| $V_{CM}$  | Output common mode voltage  | VCM level = s1 or s2+3   |       | $V_{OL} + V_{OD}/2$    |       | V    |
|   |                             | VCM level = s2, $I_{out} = 4\text{mA}$   | 0.6   | 0.7                    | 0.8   | V    |
|   |                             | VCM level = s3, $I_{out} = 4\text{mA}$   | 1.125 | 1.25                   | 1.375 | V    |
| $t_{SKEW}$  | Output skew <sup>(13)</sup> | Same APLL, same post divider and channel divider values, same bank   |       |                        | 50    | ps   |
|   |                             | Same APLL, same post divider and channel divider values, between banks   |       |                        | 80    | ps   |
| $t_R/t_F$   | Rise/Fall time              | $f_{OUT} < 100\text{MHz}$ , 20% to 80%, $OUT\_X\_CAP\_EN = 0$ , $C_L = 2\text{pF}$   | 200   | 250                    | 350   | ps   |
|   |                             | $100\text{MHz} \leq f_{OUT} \leq 325\text{MHz}$ , 20% to 80%, $I_{out} \geq 8\text{mA}$ , $OUT\_X\_CAP\_EN = 0$ , $C_L = 2\text{pF}$ | 165   | 225                    | 260   | ps   |
|   |                             | $100\text{MHz} \leq f_{OUT} \leq 325\text{MHz}$ , 20% to 80%, $OUT\_X\_CAP\_EN = 0$ , $C_L = 2\text{pF}$                             | 175   | 230                    | 300   | ps   |
|   |                             | $325\text{MHz} < f_{OUT} \leq 800\text{MHz}$ , 20% to 80%, $OUT\_X\_CAP\_EN = 0$ , $C_L = 2\text{pF}$                                | 150   | 215                    | 285   | ps   |
|   |                             | $800\text{MHz} < f_{OUT} \leq 1250\text{MHz}$ , 20% to 80%, $OUT\_X\_CAP\_EN = 0$ , $C_L = 2\text{pF}$                               | 120   | 205                    | 250   | ps   |
| ODC   | Output duty cycle           |  | 48    |                        | 52    | %    |
| <b>HCSL Output Characteristics (OUTx)</b>                               |                             |  |       |                        |       |      |
| $f_{OUT}$   | Output frequency range      | HCSL output mode   | 25    | 100                    | 650   | MHz  |
| $V_{OL}$  | Output voltage low          |  | -150  | 0                      | 150   | mV   |
| $V_{OH}$  | Output voltage high         |  | 600   | 750                    | 900   | mV   |
| VMIN  | Output voltage minimum      | Including undershoot   | -300  | 0                      | 150   | mV   |

ADVANCE INFORMATION

Over Recommended Operating Conditions (unless otherwise noted)

| PARAMETER           |                                  | TEST CONDITIONS  | MIN | TYP | MAX  | UNIT |
|---------------------|----------------------------------|--|-----|-----|------|------|
| V <sub>MAX</sub>    | Output voltage maximum           | Including overshoot  | 600 | 750 | 1150 | mV   |
| dV/dt               | Differential output slew rate    | ±150mV around center point, OUT_x_CAP_EN = 1, C <sub>L</sub> = 2pF     | 2   |     | 4    | V/ns |
| dV/dt               | Differential output slew rate    | ±150mV around center point, OUT_x_CAP_EN = 0, C <sub>L</sub> = 2pF     | 3   |     | 5    | V/ns |
| t <sub>SKEW</sub>   | Output skew <sup>(13)</sup>      | Same APLL, same post divider and channel divider values, same bank     |     |     | 50   | ps   |
|                     |                                  | Same APLL, same post divider and channel divider values, between banks |     |     | 80   | ps   |
| V <sub>CROSS</sub>  | Absolute voltage crossing point  | f <sub>OUT</sub> = 100MHz  | 300 |     | 500  | mV   |
| ΔV <sub>CROSS</sub> | Voltage crossing point variation | f <sub>OUT</sub> = 100MHz  |     |     | 75   | mV   |
| ODC                 | Output duty cycle                |  | 45  |     | 55   | %    |

**1.8V LVCMOS Output Characteristics (OUT0, OUT1)**

|                                |                        |   |      |     |     |     |
|--------------------------------|------------------------|---|------|-----|-----|-----|
| f <sub>OUT</sub>               | Output frequency range |   | 1E-6 |     | 200 | MHz |
| V <sub>OH</sub>                | Output high voltage    | I <sub>OH</sub> = -2mA  | 1.5  |     |     | V   |
| V <sub>OL</sub>                | Output low voltage     | I <sub>OL</sub> = 2mA   |      |     | 0.2 | V   |
| t <sub>R</sub> /t <sub>F</sub> | Output rise/fall time  | 20% to 80%  |      | 150 |     | ps  |
| t <sub>SK</sub>                | Output-to-output skew  | OUT0_P, OUT0_N, OUT1_P, OUT1_N with same polarity, same APLL post divider and output divider values. Same polarity and output type (LVCMOS) |      |     | 60  | ps  |
|                                |                        | Same APLL, same post divider and output divider values. Skew between LVCMOS and differential outputs  | 0.7  | 1   | 1.3 | ns  |
| ODC                            | Output duty cycle      |   | 45   |     | 55  | %   |
| R <sub>OUT</sub>               | Output impedance       |   | 54   | 64  | 75  | Ω   |

**2.65V LVCMOS Output Characteristics (OUT0, OUT1)**

|                                |  |  |      |      |     |        |
|--------------------------------|--|--|------|------|-----|--------|
| f <sub>OUT</sub>               | Output frequency range                                 |  | 1E-6 |      | 200 | MHz    |
| V <sub>OH</sub>                | Output high voltage                                    | I <sub>OH</sub> = -2mA   | 2.3  |      |     | V      |
| V <sub>OL</sub>                | Output low voltage                                     | I <sub>OL</sub> = 2mA  |      |      | 0.2 | V      |
| t <sub>R</sub> /t <sub>F</sub> | Output rise/fall time                                  | 20% to 80%   |      | 150  |     | ps     |
| t <sub>SK</sub>                | Output-to-output skew                                  | OUT_P, OUT0_N, OUT1_P, OUT1_N with same polarity, same APLL post divider and output divider values. Same polarity and output type (LVCMOS) |      |      | 60  | ps     |
|                                |  | Same APLL, same post divider and output divider values. Skew between LVCMOS and differential outputs                                       | 0.7  | 1.0  | 1.3 | ns     |
| PN <sub>FLOOR</sub>            | Output phase noise floor (f <sub>OFFSET</sub> > 10MHz) | 25MHz  |      | -155 |     | dBc/Hz |
| ODC                            | Output duty cycle                                      |  | 45   |      | 55  | %      |
| R <sub>OUT</sub>               | Output impedance                                       |  | 40   | 50   | 65  | Ω      |

**3.3V LVCMOS GPIO Clock Output Characteristics (GPIO0, GPIO1, GPIO2)**

|                                |                          |                                   |      |     |     |     |
|--------------------------------|--------------------------|-----------------------------------|------|-----|-----|-----|
| f <sub>OUT</sub>               | Maximum output frequency | GPIO1, GPIO2                      |      |     | 25  | MHz |
| V <sub>OH</sub>                | Output high voltage      | I <sub>OH</sub> = 2mA             | 2.4  |     |     | V   |
| V <sub>OL</sub>                | Output low voltage       | I <sub>OL</sub> = 2mA             |      |     | 0.4 | V   |
| I <sub>IH</sub>                | Input high current       | V <sub>IN</sub> = V <sub>DD</sub> |      |     | 100 | μA  |
| I <sub>IL</sub>                | Output low current       | V <sub>IN</sub> = 0V              | -100 |     |     | μA  |
| t <sub>R</sub> /t <sub>F</sub> | Output rise/fall time    | 20% to 80%, 1kΩ to GND            | 0.5  | 1.3 | 2.6 | ns  |

Over Recommended Operating Conditions (unless otherwise noted)

| PARAMETER                                     |  | TEST CONDITIONS  | MIN | TYP | MAX | UNIT |
|---|--|--|-----|-----|-----|------|
| $t_{sk}$                                      | Output-to-output skew                                  | GPIO1, GPIO2 output skew compared to OUT0_P, OUT0_N, OUT1_P, OUT1_N CMOS outputs. GPIOx_SEL = 115<br>f <sub>out</sub> = 100kHz   |     | 7.5 | 11  | ns   |
| ODC   | Output duty cycle                                      |  | 45  |     | 55  | %    |
| R <sub>OUT</sub>                              | Output impedance                                       |  | 35  | 42  | 50  | Ω    |
| <b>PLL Output Clock Noise Characteristics</b> |  |  |     |     |     |      |
| R <sub>JAPLL1</sub>                           | 12kHz to 20MHz integrated RMS jitter for APLL1 outputs | XO = 48MHz, f <sub>out</sub> = 1228.8MHz, post divider P <sub>1APLL1</sub> = 2, HSDS output VOD ≥ 800mV <sup>(10)</sup>  |     |     | 45  | fs   |
|   |  | XO = 48MHz, f <sub>out</sub> = 614.4MHz, post divider P <sub>1APLL1</sub> = 4, HSDS output VOD ≥ 800mV <sup>(10)</sup>   |     | 35  | 50  | fs   |
|   |  | XO = 48MHz, f <sub>out</sub> = 491.52MHz, post divider P <sub>1APLL1</sub> = 5, HSDS output VOD ≥ 800mV <sup>(10)</sup>  |     | 40  | 57  | fs   |
|   |  | XO = 48MHz, f <sub>out</sub> = 245.76MHz, post divider P <sub>1APLL1</sub> = 10, HSDS output VOD ≥ 800mV <sup>(10)</sup>   |     | 45  | 64  | fs   |
|   |  | XO = 48MHz, f <sub>out</sub> = 245.76MHz, bypass post divider P <sub>1APLL1</sub> = 1, HSDS output VOD ≥ 800mV <sup>(11)</sup>   |     | 50  | 62  | fs   |
|   |  | XO = 48MHz, f <sub>out</sub> = 122.88MHz, bypass post divider P <sub>1APLL1</sub> = 1, HSDS output VOD ≥ 800mV <sup>(11)</sup>   |     | 55  | 86  | fs   |
|   |  | XO = 48MHz, f <sub>out</sub> = 245.76MHz, HSDS output, all VOD levels <sup>(10)</sup>  |     | 50  | 80  | fs   |
|   |  | XO = 48MHz, f <sub>out</sub> = 122.88MHz, HSDS output, all VOD levels <sup>(10)</sup>  |     | 60  | 90  | fs   |
| R <sub>JAPLL2</sub>                           | 12kHz to 20MHz integrated RMS jitter for APLL2 outputs | XO = 48MHz, f <sub>out</sub> = 153.6MHz (VCO2 = 5836.8MHz), 155.52MHz (VCO2 = 5598.72MHz), 174.703084MHz (VCO2 = 5765.2MHz) or 184.32MHz (VCO2 = 5898.24MHz) from APLL2. HSDS output, VOD ≥ 800mV from OUT4, OUT5, OUT6 and OUT7 or OUT2 and OUT3. 156.25MHz from BAW APLL output in all other output banks. |     | 110 | 150 | fs   |
|   |  | XO = 48MHz, f <sub>out</sub> = 161.1328125MHz or 322.265625MHz (VCO2 = 5800.78125MHz), or 212.5MHz (VCO2 = 5950MHz) from APLL2. HSDS output, VOD ≥ 800mV from OUT4, OUT5, OUT6 and OUT7. 156.25MHz from BAW APLL output in all other output banks.   |     | 110 | 150 | fs   |
|   |  | XO = 48MHz, f <sub>out</sub> = 156.25MHz or 125MHz (VCO2 = 5625MHz), or 100MHz (VCO2 = 5600MHz) from APLL2. HSDS output, VOD ≥ 800mV from OUT4, OUT5, OUT6 and OUT7 or OUT2 and OUT3. 156.25MHz from BAW APLL output in all other output banks.  |     | 110 | 150 | fs   |

Over Recommended Operating Conditions (unless otherwise noted)

| PARAMETER                                    |  | TEST CONDITIONS   | MIN   | TYP  | MAX  | UNIT   |
|--|--|---|-------|------|------|--------|
| PSNR <sub>VDDO_0_1</sub>                     | Power supply noise rejection VDD_0_1                         | V <sub>CC</sub> = 3.3V, V <sub>N</sub> = 50mVpp, HSDS, LVDS or AC-LVPECL outputs. <sup>(12)</sup>                 |       | -105 |      | dBc    |
| PSNR <sub>VDDO_2_3</sub>                     | Power supply noise rejection VDD_2_3                         | V <sub>CC</sub> = 3.3V, V <sub>N</sub> = 50mVpp, HSDS, LVDS or AC-LVPECL outputs. <sup>(12)</sup>                 |       | -105 |      | dBc    |
| PSNR <sub>VDDO_4_7</sub>                     | Power supply noise rejection VDDO_4_7                        | V <sub>CC</sub> = 3.3V, V <sub>N</sub> = 50mVpp, HSDS, LVDS or AC-LVPECL outputs. <sup>(12)</sup>                 |       | -110 |      | dBc    |
| PSNR <sub>VDDO_8_11</sub>                    | Power supply noise rejection VDDO_8_11                       | V <sub>CC</sub> = 3.3V, V <sub>N</sub> = 50mVpp, HSDS, LVDS or AC-LVPECL outputs. <sup>(12)</sup>                 |       | -110 |      | dBc    |
| PSNR <sub>VDD_XO</sub>                       | Power supply noise rejection VDD_XO                          | V <sub>CC</sub> = 3.3V, V <sub>N</sub> = 50mVpp, HSDS, LVDS or AC-LVPECL outputs. <sup>(12)</sup>                 |       | -100 |      | dBc    |
| PSNR <sub>VDD_APLL2</sub>                    | Power supply noise rejection VDD_APLL2                       | V <sub>CC</sub> = 3.3V, V <sub>N</sub> = 50mVpp, HSDS, LVDS or AC-LVPECL outputs. <sup>(12)</sup>                 |       | -105 |      | dBc    |
| PSNR <sub>VDD_APLL1</sub>                    | Power supply noise rejection VDD_APLL1                       | V <sub>CC</sub> = 3.3V, V <sub>N</sub> = 50mVpp, HSDS, LVDS or AC-LVPECL outputs. <sup>(12)</sup>                 |       | -105 |      | dBc    |
| PSNR <sub>VDD_DIG</sub>                      | Power supply noise rejection VDD_DIG                         | V <sub>CC</sub> = 3.3V, V <sub>N</sub> = 50mVpp, HSDS, LVDS or AC-LVPECL outputs. <sup>(12)</sup>                 |       | -120 |      | dBc    |
| <b>PCIe Jitter Characteristics</b>           |  |   |       |      |      |        |
| J <sub>PCIe-Gen1-CC</sub>                    | PCIe Gen 1 (2.5 GT/s) Common Clock jitter                    | APLL2 or APLL1 output, 3x noise folding   |       | 0.8  | 5    | ps p-p |
| J <sub>PCIe-Gen2-CC</sub>                    | PCIe Gen 2 (5.0 GT/s) Common Clock jitter                    | APLL2 or APLL1 output, 3x noise folding   |       | 85   | 250  | fs RMS |
| J <sub>PCIe-Gen3-CC</sub>                    | PCIe Gen 3 (8 GT/s) Common Clock jitter                      | APLL2 or APLL1 output, 3x noise folding   |       | 25   | 100  | fs RMS |
| J <sub>PCIe-Gen4-CC</sub>                    | PCIe Gen 4 (16 GT/s) Common Clock jitter                     | APLL2 or APLL1 output, 3x noise folding   |       | 25   | 100  | fs RMS |
| J <sub>PCIe-Gen5-CC</sub>                    | PCIe Gen 5 (64 GT/s) Common Clock jitter                     | APLL2 or APLL1 output, 3x noise folding   |       | 9    | 50   | fs RMS |
| J <sub>PCIe-Gen6-CC</sub>                    | PCIe Gen 6 (32 GT/s) Common Clock jitter                     | APLL2 or APLL1 output, 3x noise folding   |       | 6    | 40   | fs RMS |
| <b>DPLL Characteristics</b>                  |  |   |       |      |      |        |
| f <sub>TDC</sub>                             | TDC rate range for DPLLx                                     |   | 1E-6  |      | 26   | MHz    |
| dφ/dt  | Phase slew during switchover                                 | Programmable range  |       | 695  |      | ns/s   |
| DPLL-BW                                      | DPLL loop bandwidth  | Programmable loop bandwidth <sup>(17)</sup>   | 1E-3  |      | 4000 | Hz     |
| J <sub>PK</sub>                              | DPLL closed-loop jitter peaking                              |   |       | 0.1  |      | dB     |
| J <sub>TOL</sub>                             | Jitter tolerance   | Compliant with G.8262 Options 1 and 2. Jitter modulation = 10Hz, 25.78152Gbps line rate                           |       | 6455 |      | UI p-p |
| <b>DCO Characteristics</b>                   |  |   |       |      |      |        |
| f <sub>DCO-DPLL</sub>                        | DPLL DCO frequency tuning range                              | DPLLx   | -200  |      | 200  | ppm    |
| f <sub>DCO-APLL</sub>                        | DCO frequency tuning range                                   | BAW APLL in holdover or APLL only operation.  | -200  |      | 200  | ppm    |
|  |  | APLL2in holdover or APLL only operation.  | -1000 |      | 1000 | ppm    |
| <b>Zero-Delay Mode (ZDM) Characteristics</b> |  |   |       |      |      |        |
| f <sub>OUT-ZDM</sub>                         | Output frequency range with ZDM enabled                      | DPLL1: OUT0 or OUT10  | 1E-6  |      | 1250 | MHz    |
|  |  | DPLL2: OUT0 or OUT4   | 1E-6  |      | 700  | MHz    |
| t <sub>DLY-ZDM</sub>                         | Input-to-output propagation delay with ZDM enabled           | OUT0, f <sub>IN</sub> ≤ f <sub>TDC_MAX</sub> , f <sub>OUT</sub> ≤ f <sub>TDC_MAX</sub> , DPLLx_PH_OFFSET = 172500 |       | 150  |      | ps     |
| t <sub>DLY-VAR-ZDM</sub>                     | Input-to-output propagation delay variation with ZDM enabled | OUT0, f <sub>IN</sub> ≤ f <sub>TDC_MAX</sub> , f <sub>OUT</sub> ≤ f <sub>TDC_MAX</sub> , DPLLx_PH_OFFSET = 0      |       |      | 65   | ±ps    |
| <b>1PPS Reference Characteristics</b>        |  |   |       |      |      |        |

Over Recommended Operating Conditions (unless otherwise noted)

| PARAMETER  |  | TEST CONDITIONS  | MIN | TYP   | MAX | UNIT      |
|--|--|--|-----|-------|-----|-----------|
| $t_{DPLL\_FL}$                                   | DPLL frequency lock time with 1PPS reference | XO = 48MHz, initial error = $\pm 25$ ppb, $-180^\circ \leq \Theta \leq 180^\circ$ . DPLL LBW = 10mHz, frequency lock $\Delta f_{out} \leq \pm 4.6$ ppm |     | 5     | 6   | s         |
| $t_{DPLL\_PL}$                                   | DPLL phase lock time with 1PPS reference     | XO = 48MHz, initial error = $\pm 25$ ppb, $-180^\circ \leq \Theta \leq 180^\circ$ . DPLL LBW = 10mHz, DPLL LBW = 10mHz, phase lock $\leq \pm 100$ ns   |     | 34    | 38  | s         |
| <b>Hitless Switching Characteristics</b>         |  |  |     |       |     |           |
| $t_{HIT}$  | Phase transient during switchover            | INx = 1Hz, INy = 1Hz, frequency locked. INx and INy relative phase offset $-180^\circ \leq \Theta \leq 180^\circ$ . DPLL LBW = 10mHz.                  |     | 4     |     | $\pm$ ps  |
|  |  | INx = 8kHz, INy = 8kHz, frequency locked. INx and INy relative phase offset $-180^\circ \leq \Theta \leq 180^\circ$ . DPLL LBW = 1Hz                   |     | 19    |     | $\pm$ ps  |
|  |  | Nx = 25MHz, INy = 25MHz, frequency locked. INx and INy relative phase offset $-180^\circ \leq \Theta \leq 180^\circ$ . DPLL LBW = 1Hz                  |     | 1.8   |     | $\pm$ ps  |
| $f_{HIT}$  | Frequency transient during switchover        | INx = 1Hz, INy = 1Hz, frequency locked. INx and INy relative phase offset $-180^\circ \leq \Theta \leq 180^\circ$ . DPLL LBW = 10mHz                   |     | 0.85  |     | $\pm$ ppb |
|  |  | INx = 8kHz, INy = 8kHz, frequency locked. INx and INy relative phase offset $-180^\circ \leq \Theta \leq 180^\circ$ . DPLL LBW = 1Hz                   |     | 0.45  |     | $\pm$ ppb |
|  |  | INx = 25MHz, INy = 25MHz, frequency locked. INx and INy relative phase offset $-180^\circ \leq \Theta \leq 180^\circ$ . DPLL LBW = 1Hz                 |     | 0.63  |     | $\pm$ ppb |
| <b>Programmable Output Delay Characteristics</b> |  |  |     |       |     |           |
| $t_{ANA\_DLY}$                                   | Analog delay step size <sup>(13)</sup>       | BAW APLL = 2457.6MHz, VCO post-divider = 2, 0.5x range scale, $1\text{Hz} \leq \text{OUTx} \leq 122.88\text{MHz}$ , ANA_DELAY_LINEARITY_CODE = 2       |     | 13.13 |     | ps        |
|  |  | BAW APLL = 2457.6MHz, VCO post-divider= 1, 2x range scale, $1\text{Hz} \leq \text{OUTx} \leq 122.88\text{MHz}$ , ANA_DELAY_LINEARITY_CODE = 5          |     | 26.25 |     | ps        |
|  |  | APLL2 = 5625.0MHz, VCO post-divider = 3, 1x range scale, $1\text{Hz} \leq \text{OUTx} \leq 156.25\text{MHz}$ , ANA_DELAY_LINEARITY_CODE = 3            |     | 17.2  |     | ps        |
|  |  | APLL2 = 5625.0MHz, VCO post-divider = 4; 1x range scale, $1\text{Hz} \leq \text{OUTx} \leq 156.25\text{MHz}$ , ANA_DELAY_LINEARITY_CODE = 4            |     | 22.9  |     | ps        |

ADVANCE INFORMATION

Over Recommended Operating Conditions (unless otherwise noted)

| PARAMETER                  | TEST CONDITIONS                        | MIN  | TYP                       | MAX   | UNIT  |    |
|----------------------------|--|--|---------------------------|-------|-------|----|
| t <sub>ANA-DLY-ERR</sub>   | Analog delay step size error           | BAW APLL = 2457.6MHz, VCO post-divider = 2, 0.5x range scale, 1Hz ≤ OUTx ≤ 122.88MHz, ANA_DELAY_LINEARITY_CODE = 2   | -6.56                     |       | 6.56  | ps |
|                            |  | BAW APLL = 2457.6MHz, VCO post-divider= 1, 2x range scale, 1Hz ≤ OUTx ≤ 122.88MHz, ANA_DELAY_LINEARITY_CODE = 5  | -13.13                    |       | 13.13 | ps |
|                            |  | APLL2 = 5625.0MHz, VCO post-divider = 3, 1x range scale, 1Hz ≤ OUTx ≤ 156.25MHz, ANA_DELAY_LINEARITY_CODE = 3  | -8.6                      |       | 8.6   | ps |
|                            |  | APLL2 = 5625.0MHz, VCO post-divider = 4; 1x range scale, 1Hz ≤ OUTx ≤ 156.25MHz, ANA_DELAY_LINEARITY_CODE = 4  | -11.45                    |       | 11.45 | ps |
| t <sub>ANA-DLY-RANGE</sub> | Analog delay range                     |  | 31 × t <sub>ANA-DLY</sub> |       | ps    |    |
| t <sub>ANA-DLY-ACC</sub>   | Analog delay accuracy                  | Analog delay absolute accuracy for any setting N = 0 to 31 across analog delay range. Worst case error of actual value relative to expected value N × t <sub>ANA-DLY-STEP</sub> for ANA_DELAY_LINEARITY_CODE = 3, 4, 5 |                           |       | ps    |    |
| t <sub>ANA-DLY-LIN</sub>   | Analog delay linearity <sup>(15)</sup> | ANA_DELAY_LINEARITY_CODE = 2   | 333                       |       | 450   | ps |
|                            |  | ANA_DELAY_LINEARITY_CODE = 3   | 450                       |       | 600   | ps |
|                            |  | ANA_DELAY_LINEARITY_CODE = 4   | 600                       |       | 750   | ps |
|                            |  | ANA_DELAY_LINEARITY_CODE = 5   | 750                       |       | 1050  | ps |
| t <sub>DIG-DLY</sub>       | Digital delay step size                | VCO post-divider frequency output = 2457.6MHz, half step setting   |                           | 196.6 |       | ps |
|                            |  | VCO post-divider frequency output = 2457.6MHz, full step setting   |                           | 786.4 |       | ps |

**3-Level Logic Input Characteristics (GPIO0, GPIO1, GPIO2, SCS\_ADD)**

|                    |  |  |     |      |     |    |
|--------------------|--|--|-----|------|-----|----|
| V <sub>IH</sub>    | Input high voltage   |  | 1.4 |      | V   |    |
| V <sub>IM</sub>    | Input mid voltage  |  | 0.6 | 0.95 | V   |    |
| V <sub>IM</sub>    | Input mid voltage self-bias  | Input floating with internal bias and PD# pulled low | 0.7 | 0.9  | V   |    |
| R <sub>IM-PD</sub> | Internal pulldown resistor for mid level self-bias <sup>(16)</sup> |  | 145 | 163  | 180 | kΩ |
| R <sub>IM-PU</sub> | Internal pullup for mid level self-bias <sup>(16)</sup>            |  | 470 | 526  | 580 | kΩ |
| V <sub>IL</sub>    | Input low voltage  |  |     | 0.4  | V   |    |
| I <sub>IH</sub>    | Input high current   | V <sub>IH</sub> = VDD                                | -40 |      | 40  | μA |
| I <sub>IL</sub>    | Input low current  | V <sub>IL</sub> = GND                                | -40 |      | 40  | μA |
| C <sub>IN</sub>    | Input capacitance  |  |     | 2    |     | pF |

**2-Level Logic Input Characteristics (PD#, SCK, SDIO, SCS\_ADD; GPIO0, GPIO1 and GPIO2 after power up)**

|                 |                    |  |     |     |    |    |
|-----------------|--------------------|--|-----|-----|----|----|
| V <sub>IH</sub> | Input high voltage |  | 1.2 |     | V  |    |
| V <sub>IL</sub> | Input low voltage  |  |     | 0.4 | V  |    |
| I <sub>IH</sub> | Input high current | V <sub>IH</sub> = VDD, except PD#                      | -40 |     | 40 | μA |
| I <sub>IL</sub> | Input low current  | V <sub>IL</sub> = GND, except PD#                      | -40 |     | 40 | μA |
| I <sub>IH</sub> | Input high current | V <sub>IH</sub> = VDD, PD# with internal 200kΩ pull-up | -57 |     | 24 | μA |

Over Recommended Operating Conditions (unless otherwise noted)

| PARAMETER   |   | TEST CONDITIONS  | MIN | TYP | MAX | UNIT    |
|---|---|--|-----|-----|-----|---------|
| $I_{IL}$  | Input low current   | $V_{IL} = GND$ , PD# with internal 200k $\Omega$ pull-up | -57 |     | 24  | $\mu A$ |
| $t_{WIDTH}$   | Input pulse width for GPIO SYNC, SYSREF request, TEC trigger, DPLL input selection, FDEV trigger and FDEV_dir | Monotonic edges  | 200 |     |     | ns      |
| $C_{IN}$  | Input capacitance   |  |     | 2   |     | pF      |
| <b>Logic Output Characteristics (GPIO0, GPIO1, GPIO2, SDIO)</b> |   |  |     |     |     |         |
| $V_{OH}$  | Output high voltage   | $I_{OH} = 1mA$   | 2.4 |     |     | V       |
| $V_{OL}$  | Output low voltage  | $I_{OL} = 1mA$   |     |     | 0.4 | V       |
| $t_R/t_F$   | Output rise/fall time   | 20% to 80%, LVCMOS mode, 1k $\Omega$ to GND              |     | 500 |     | ps      |
| <b>Open Drain Output (GPIO0, GPIO1, GPIO2, SDA)</b>             |   |  |     |     |     |         |
| $V_{OL}$  | Output Low Level  | $I_{OL} = 3mA$   |     |     | 0.3 | V       |
|   |   | $I_{OL} = 6mA$   |     |     | 0.6 | V       |
| $I_{OH}$  | Output Leakage Current  |  | -15 |     | 15  | $\mu A$ |
| <b>SPI Timing Requirements (SDIO, SCK, SCS_ADD)</b>             |   |  |     |     |     |         |
| $f_{SCK}$   | SPI clock rate  |  |     |     | 20  | MHz     |
|   | SPI clock rate; during SRAM read and write operations   |  |     | 5   | 10  | MHz     |
| $t_1$   | SCS to SCK setup time (start communication cycle)   |  | 10  |     |     | ns      |
| $t_2$   | SDI to SCK setup time   |  | 10  |     |     | ns      |
| $t_3$   | SDI to SCK hold time  |  | 10  |     |     | ns      |
| $t_4$   | SCK high time   |  | 25  |     |     | ns      |
| $t_5$   | SCK low time  |  | 25  |     |     | ns      |
| $t_6$   | SCK to SDO valid read-back data   |  |     |     | 20  | ns      |
| $t_7$   | SCS pulse width   |  | 20  |     |     | ns      |
| $t_8$   | SCK to SCS setup time (end communication cycle)   |  | 10  |     |     | ns      |
| <b>I<sup>2</sup>C Timing Requirements (SDA, SCL)</b>            |   |  |     |     |     |         |
| $V_{IH}$  | Input high voltage  |  | 1.2 |     |     | V       |
| $V_{IL}$  | Input low voltage   |  |     |     | 0.5 | V       |
| $I_{IH}$  | Input leakage   |  | -15 |     | 15  | $\mu A$ |
| $C_{IN}$  | Input capacitance   |  |     | 2   |     | pF      |
| $V_{OL}$  | Output low voltage  | $I_{OL} = 3mA$   |     |     | 0.3 | V       |
| $V_{OL}$  | Output low voltage  | $I_{OL} = 6mA$   |     |     | 0.6 | V       |
| $f_{SCL}$   | I <sup>2</sup> C clock rate   | Standard   |     |     | 100 | kHz     |
|   |   | Fast mode  |     |     | 400 |         |
| $t_{SU(START)}$   | START condition setup time  | SCL high before SDA low                                  | 0.6 |     |     | $\mu s$ |
| $t_{H(START)}$  | START condition hold time   | SCL low after SDA low                                    | 0.6 |     |     | $\mu s$ |
| $t_{W(SCLH)}$   | SCL pulse width high  |  | 0.6 |     |     | $\mu s$ |
| $t_{W(SCLL)}$   | SCL pulse width low   |  | 1.3 |     |     | $\mu s$ |
| $t_{SU(SDA)}$   | SDA setup time  |  | 100 |     |     | ns      |
| $t_{H(SDA)}$  | SDA hold time   | SDA valid after SCL low                                  | 0   |     | 0.9 | $\mu s$ |
| $t_{R(IN)}$   | SDA/SCL input rise time   |  |     |     | 300 | ns      |
| $t_{F(IN)}$   | SDA/SCL input fall time   |  |     |     | 300 | ns      |
| $t_{F(OUT)}$  | SDA output fall time  | $C_{BUS} \leq 400pF$                                     |     |     | 300 | ns      |



Over Recommended Operating Conditions (unless otherwise noted)

| PARAMETER              | TEST CONDITIONS                                 | MIN | TYP | MAX | UNIT          |
|------------------------|---|-----|-----|-----|---------------|
| $t_{SU(STOP)}$         | STOP condition setup time                       | 0.6 |     |     | $\mu\text{s}$ |
| $t_{BUS}$              | Bus free time between STOP and START            | 1.3 |     |     | $\mu\text{s}$ |
| $t_{VD-DAT}$           | Data valid time                                 |     |     | 0.9 | $\mu\text{s}$ |
| $t_{VD-ACK}$           | Data valid acknowledge time                     |     |     | 0.9 | $\mu\text{s}$ |
| EEPROM Characteristics |   |     |     |     |               |
| $\eta_{EE-CYC}$        | EEPROM programming cycles                       |     |     | 100 | cycle         |
| $t_{SRAM-R/W}$         | EEPROM SRAM read/write time delay between bytes | 0   |     |     | ms            |

- (1) This is the current consumption of one XO doubler. All XO doublers consume the same current.
- (2) This is the current consumption of one DPLL. Each DPLL consumes the same current.
- (3) REF<sub>x</sub>\_ITYPE = 8 or 12.
- (4) REF<sub>x</sub>\_ITYPE = 1, 3 or 5, non-driven input directly tied to GND, capacitor to GND or 50Ω to GND.
- (5) REF<sub>x</sub>\_ITYPE = 1, 3 or 5.
- (6) Combination of common mode voltage and DC coupled different input voltage must not exceed Absolute Maximum Ratings.
- (7) When XO input frequency is greater than the APLL phase detector maximum supported comparison frequency, the APLL R divider must be set to minimum of divide by 2.
- (8) Register XO\_ITYPE = 8 or 12.
- (9) Register XO\_ITYPE = 1, 3 or 5
- (10) OUT0 to OUT11 sourced from APLL1 post divider.
- (11) APLL1 post divider bypassed by setting P1<sub>APLL1</sub> = 1. OUT0 to OUT11 sourced from channel dividers.
- (12) PSNR is the single-sideband spur level measured in dBc when sinusoidal noise with amplitude  $V_N$  and frequency between 100kHz and 10MHz is injected onto VDD and VDDO pins with 1.0μF decoupling capacitance.
- (13) Output dividers are synchronized. SYNC status achieved from power up or SYNC\_SW.
- (14) Typical analog delay step size based on APLL post-divider output period divided by 31, times the analog delay range scale value 0.5, 1 or 2.
- (15) Analog delay linearity typically selected based on the period of the analog delay range,  $t_{ANA-DLY-RANGE}$ .
- (16) Variation of internal pullup resistor tracks variation of pulldown resistor to maintain a consistent mid voltage self-bias ratio.
- (17) DPLL loop bandwidth must be less than 1/100 of TDC frequency and less than 1/10 of APLL loop bandwidth.

## 5.6 Timing Diagrams

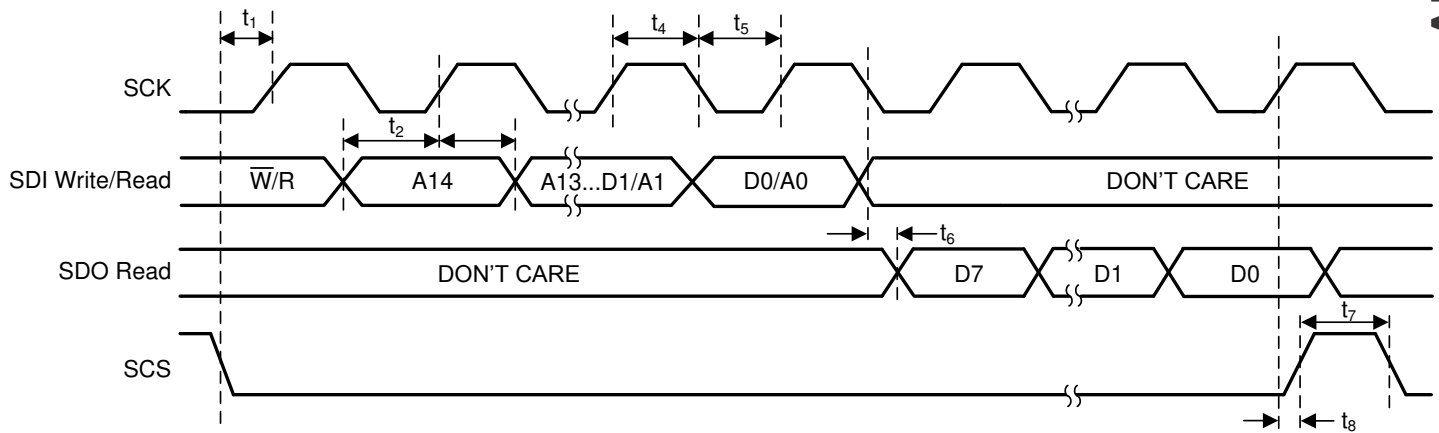


Figure 5-1. SPI Write Timing Diagram

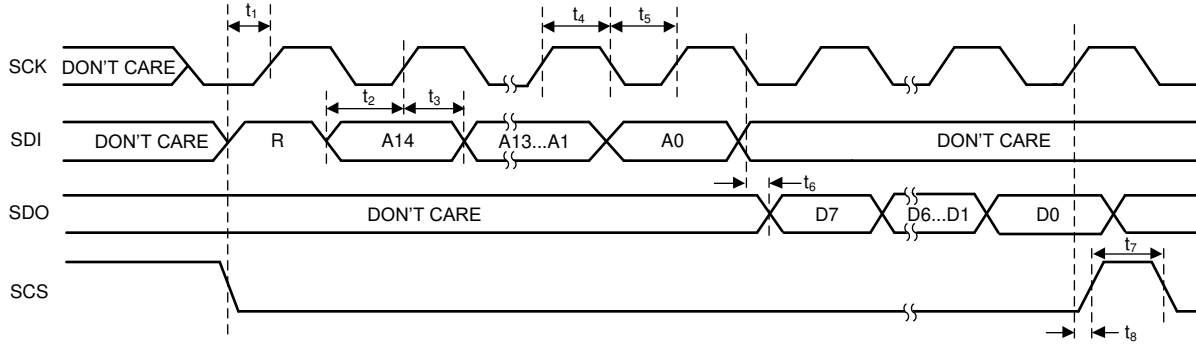


Figure 5-2. SPI 4-Wire Read Timing Diagram

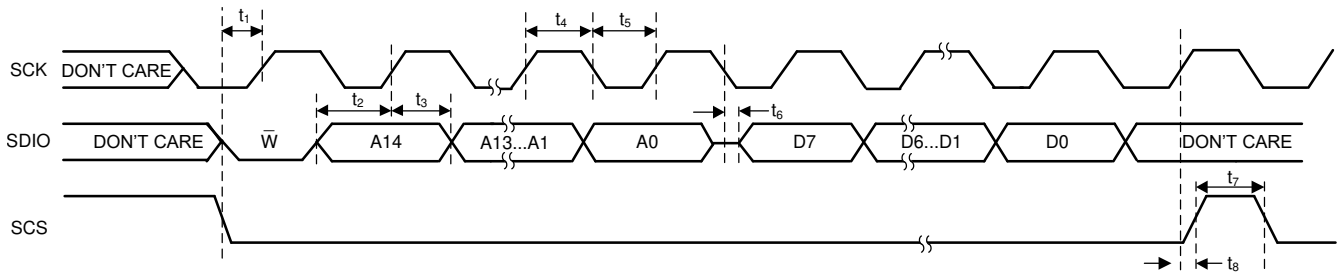


Figure 5-3. SPI 3-Wire Read Timing Diagram

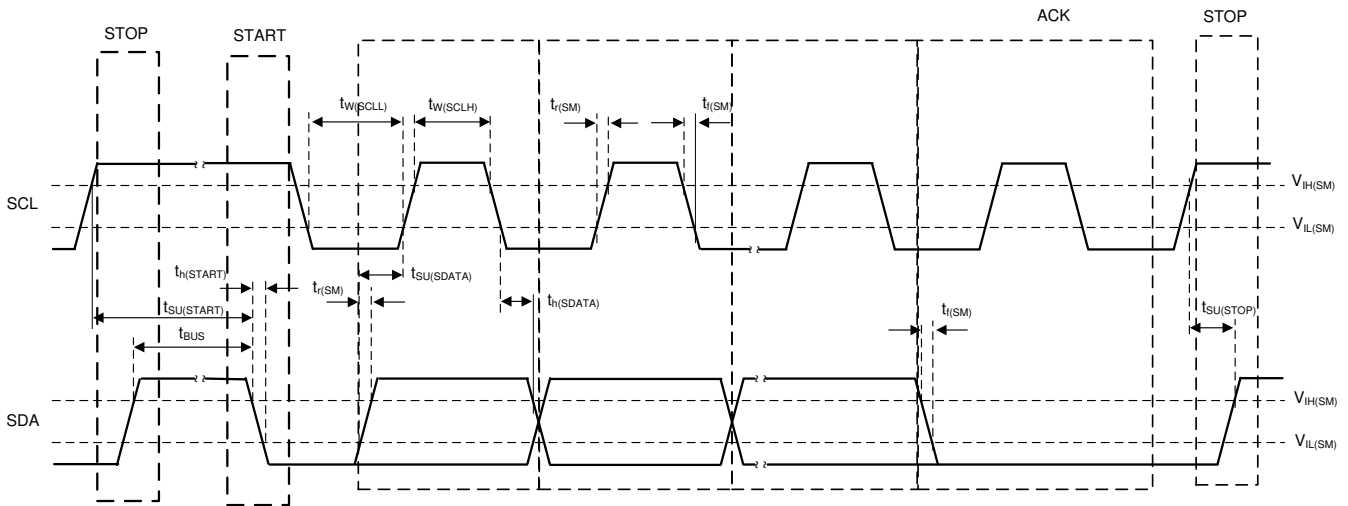
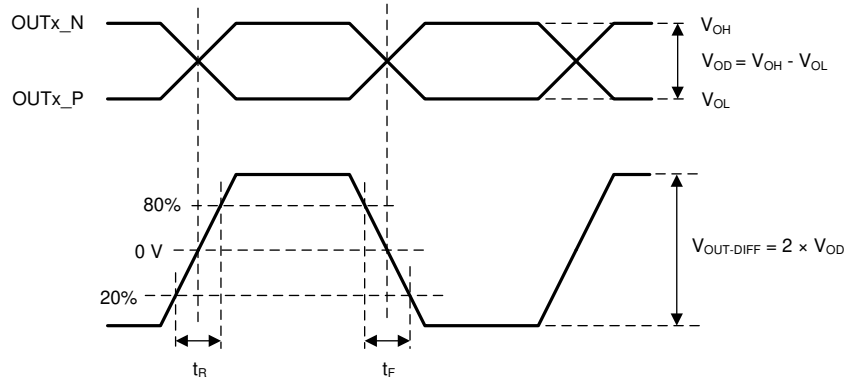
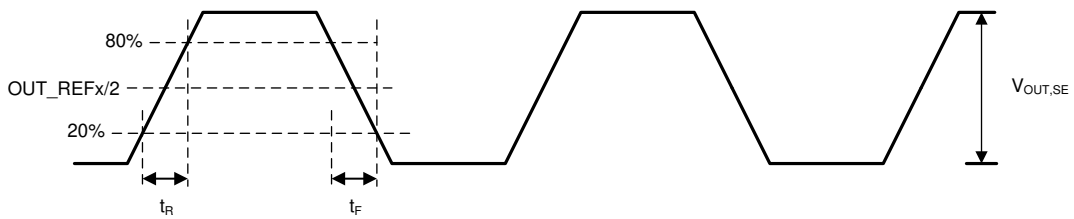


Figure 5-4. I²C Timing Diagram

ADVANCE INFORMATION



**Figure 5-5. Differential Output Voltage and Rise/Fall Time**



**Figure 5-6. Single-Ended Output Voltage and Rise/Fall Time**

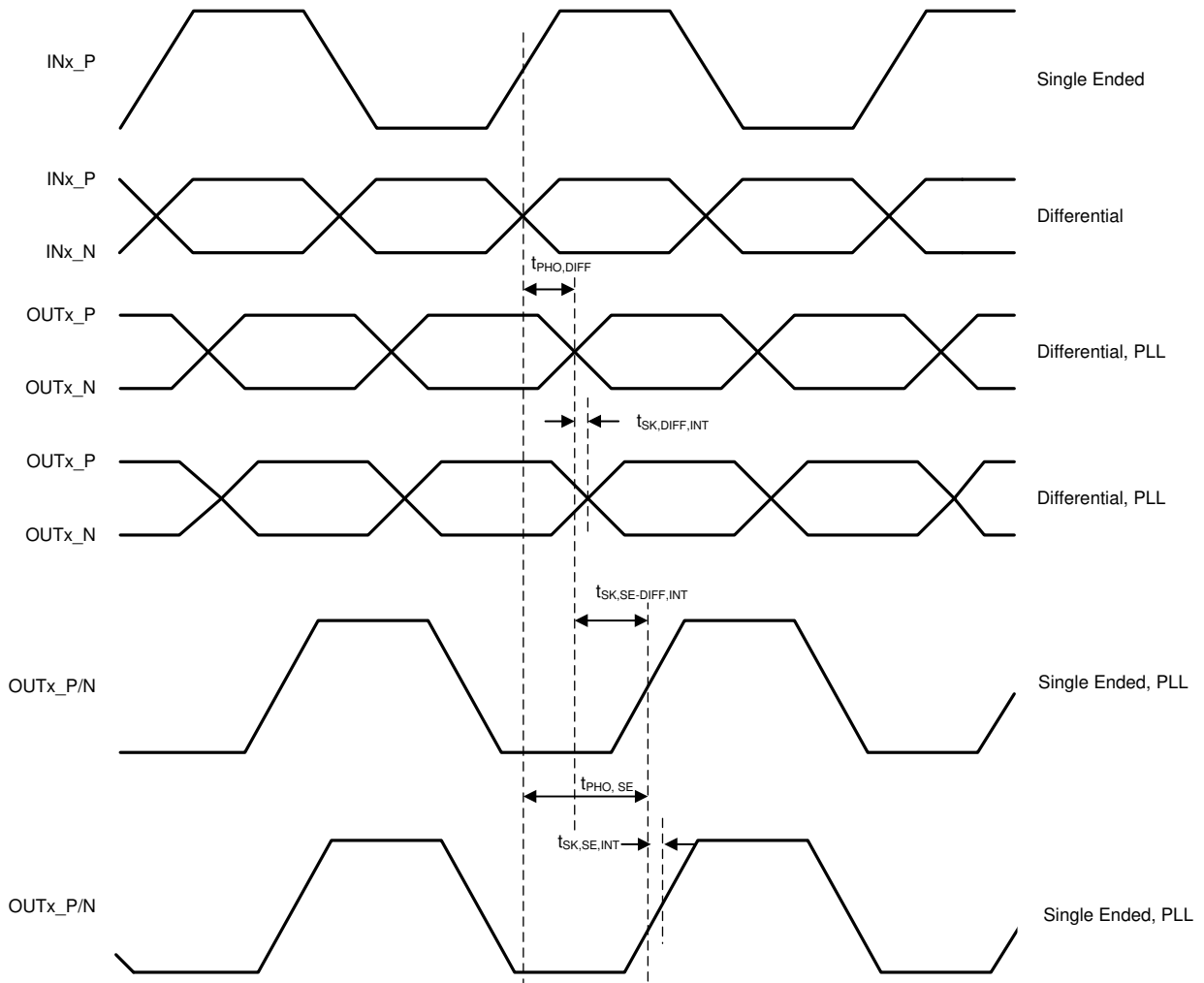
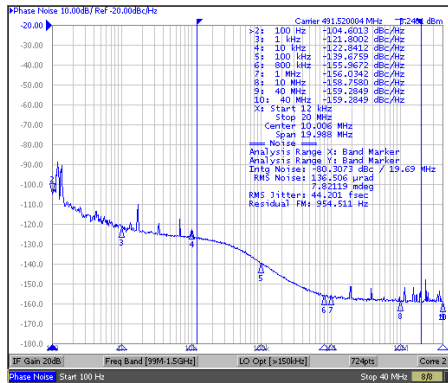


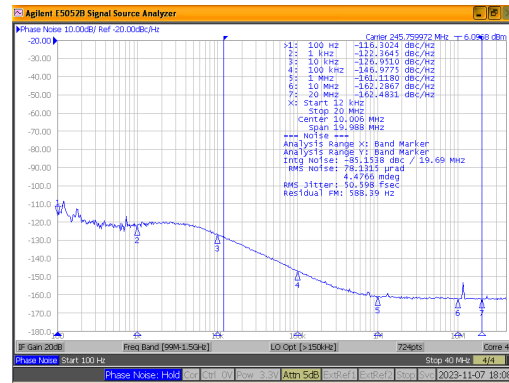
Figure 5-7. Differential and Single-Ended Output Skew and Phase Offset

### 5.7 Typical Characteristics



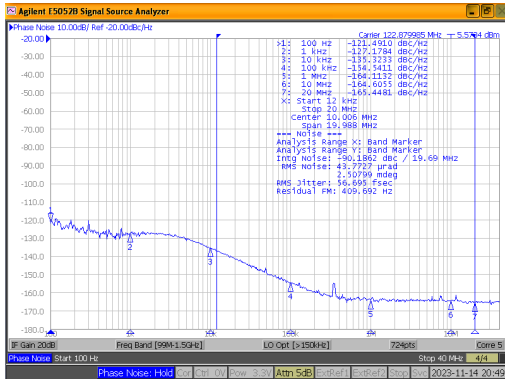
Jitter = 44fs RMS (12kHz to 20MHz)  
 $f_{APLL1} = 2457.6\text{MHz}$

Figure 5-8. 491.52MHz HSDS Output From APLL1 BAW



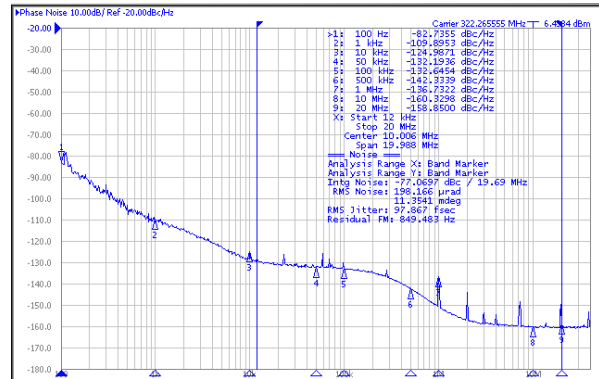
Jitter = 51fs RMS (12kHz to 20MHz)  
 $f_{APLL1} = 2457.6\text{MHz}$

Figure 5-9. 245.76MHz HSDS Output From APLL1 BAW



Jitter = 57fs RMS (12kHz to 20MHz)  
 $f_{APLL1} = 2457.6\text{MHz}$

Figure 5-10. 122.88MHz HSDS Output From APLL1 BAW



Jitter = 98fs RMS (12kHz to 20MHz)  
 $f_{APLL2} = 5800.78125\text{MHz}$

Figure 5-11. 322.265625MHz HSDS Output From APLL2

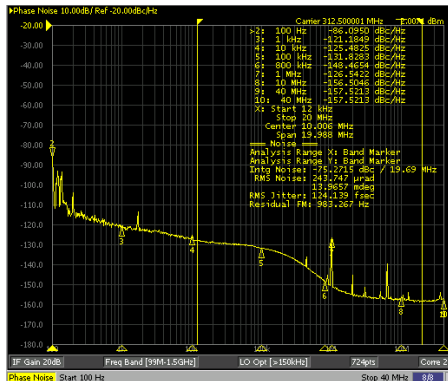
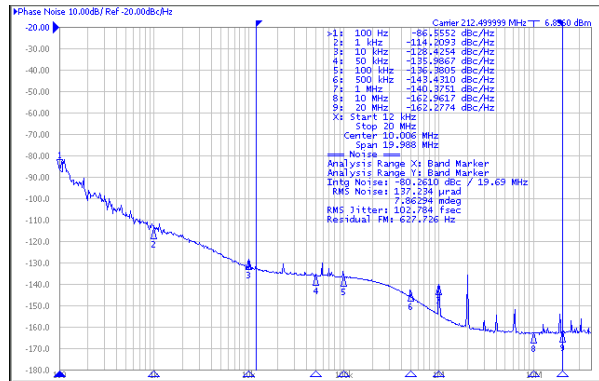


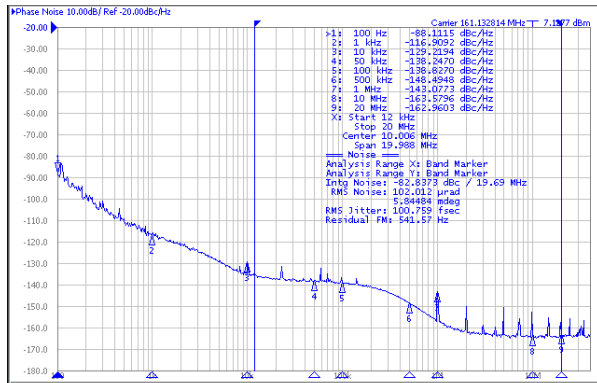
Figure 5-12. 312.5MHz HSDS Output From APLL2



Jitter = 103fs RMS (12kHz to 20MHz)  
 $f_{APLL2} = 5950\text{MHz}$

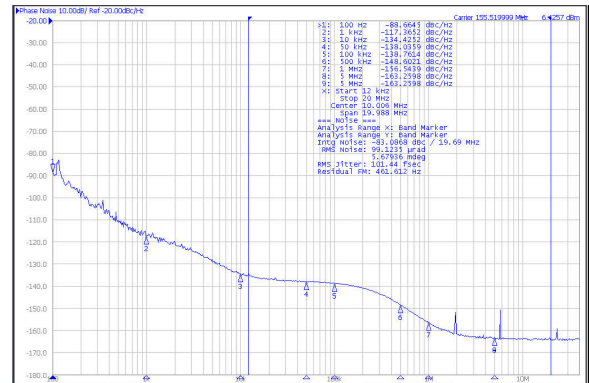
Figure 5-13. 212.5MHz HSDS Output From APLL2

ADVANCE INFORMATION



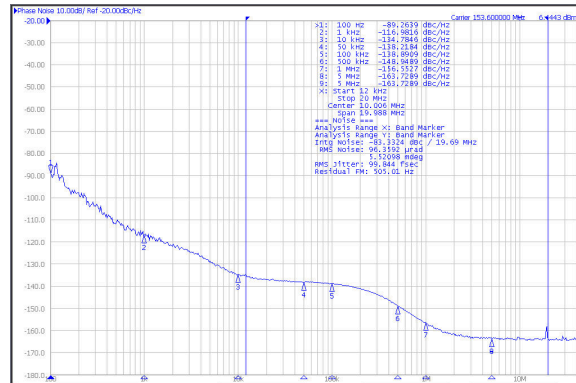
Jitter = 101fs RMS (12kHz to 20MHz)  
f<sub>APLL2</sub> = 5800.78125MHz

**Figure 5-14. 161.1328125MHz HSDS Output From APLL2**



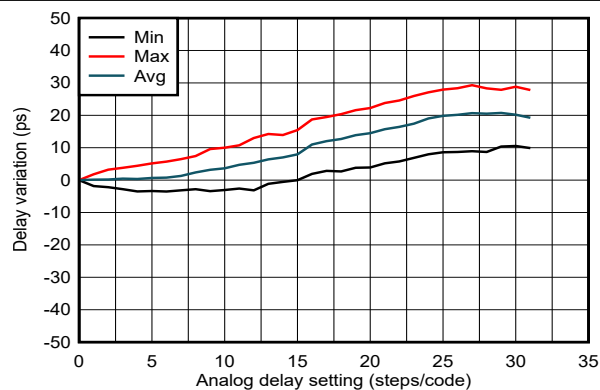
Jitter = 101fs RMS (12kHz to 20MHz)  
f<sub>APLL2</sub> = 5598.72MHz

**Figure 5-15. 155.52MHz HSDS Output From APLL2**

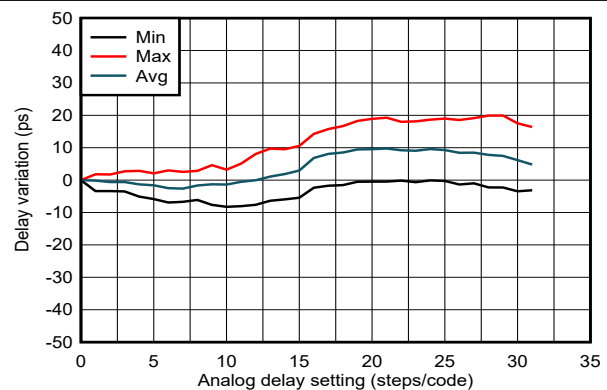


Jitter = 100fs RMS (12kHz to 20MHz)  
f<sub>APLL2</sub> = 5836.8MHz

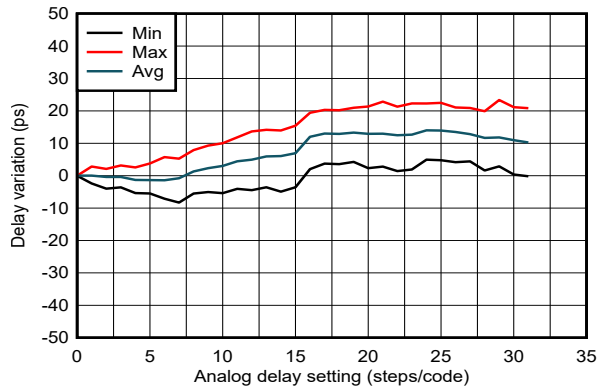
**Figure 5-16. 153.6MHz HSDS Output From APLL2**



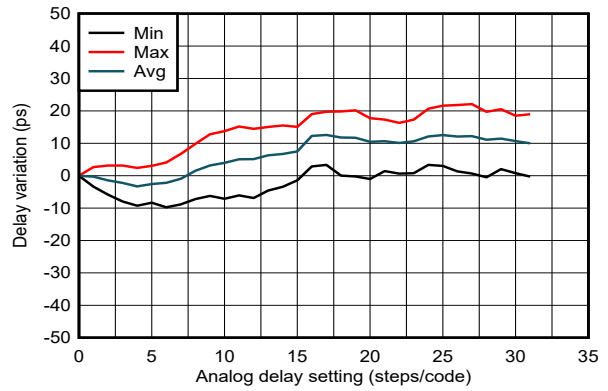
**Figure 5-17. SYSREF/1PPS Delay Linearity vs. Analog Delay Code 2**



**Figure 5-18. SYSREF/1PPS Delay Linearity vs. Analog Delay Code 3**



**Figure 5-19. SYSREF/1PPS Delay Linearity vs. Analog Delay Code 4**



**Figure 5-20. SYSREF/1PPS Delay Linearity vs. Analog Delay Code 5**

## 6 Parameter Measurement Information

### 6.1 Differential Voltage Measurement Terminology

The differential voltage of a differential signal can be described by two different definitions, causing confusion when reading data sheets or communicating with other engineers. This section addresses the measurement and description of a differential signal so that the reader is able to understand and distinguish between the two different definitions when used.

The first definition used to describe a differential signal is the absolute value of the voltage potential between the inverting and noninverting signal. The symbol for this first measurement is typically  $V_{ID}$  or  $V_{OD}$  depending on if an input or output voltage is being described.

The second definition used to describe a differential signal is to measure the potential of the noninverting signal with respect to the inverting signal. The symbol for this second measurement is  $V_{SS}$  and is a calculated parameter. Nowhere in the IC does this signal exist with respect to ground, the signal only exists in reference to the differential pair.  $V_{SS}$  can be measured directly by oscilloscopes with floating references, otherwise this value can be calculated as twice the value of  $V_{OD}$  as described in the first description.

Figure 6-1 shows the two different definitions side-by-side for inputs and Figure 6-2 shows the two different definitions side-by-side for outputs. The  $V_{ID}$  and  $V_{OD}$  definitions show  $V_A$  and  $V_B$  DC levels that the noninverting and inverting signals toggle between with respect to ground.  $V_{SS}$  input and output definitions show that if the inverting signal is considered the voltage potential reference, the noninverting signal voltage potential is now increasing and decreasing above and below the noninverting reference. Thus the peak-to-peak voltage of the differential signal can be measured.

$V_{ID}$  and  $V_{OD}$  are often defined as volts (V) and  $V_{SS}$  is often defined as volts peak-to-peak ( $V_{PP}$ ).

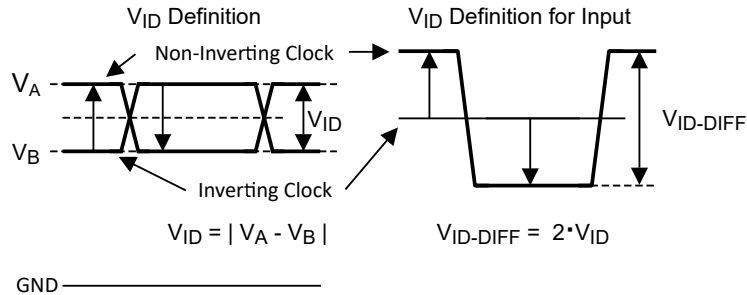


Figure 6-1. Two Different Definitions for Differential Input Signals

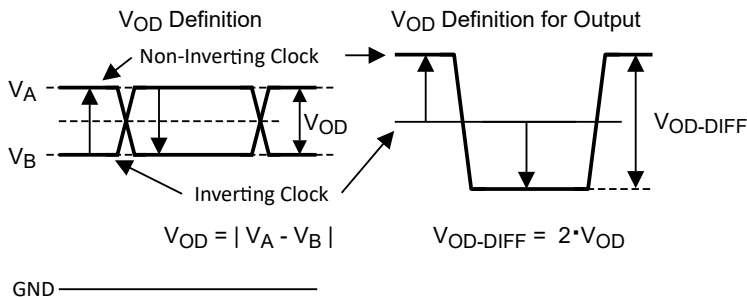
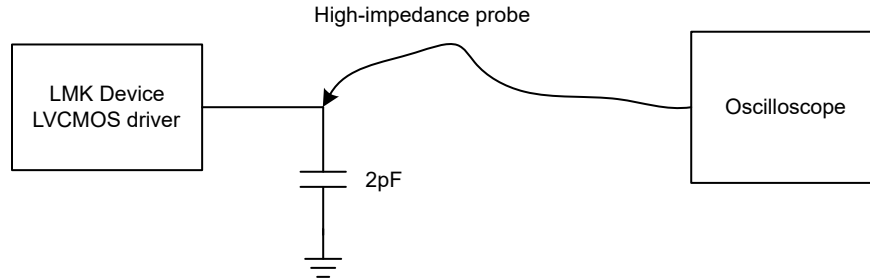


Figure 6-2. Two Different Definitions for Differential Output Signals

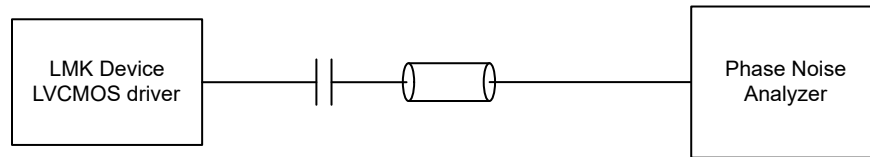


## 6.2 Output Clock Test Configurations

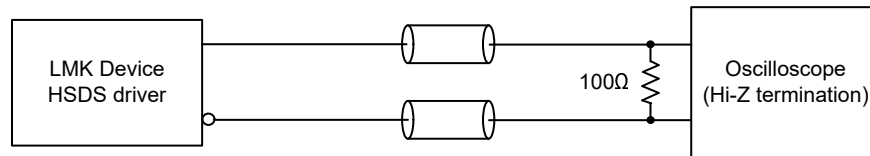
This section describes the characterization test setup for different output formats.



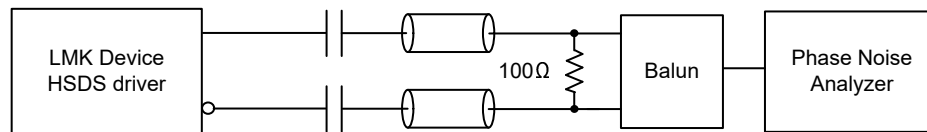
**Figure 6-3. LVC MOS Output Time Domain Test Configuration**



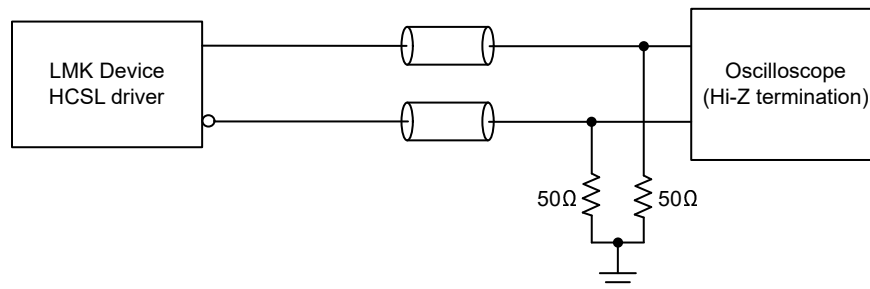
**Figure 6-4. LVC MOS Output Phase Domain Test Configuration**



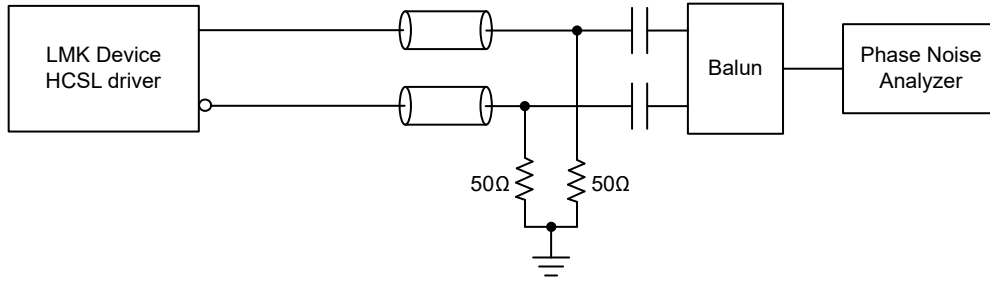
**Figure 6-5. HSDS Output Time Domain Test Configuration**



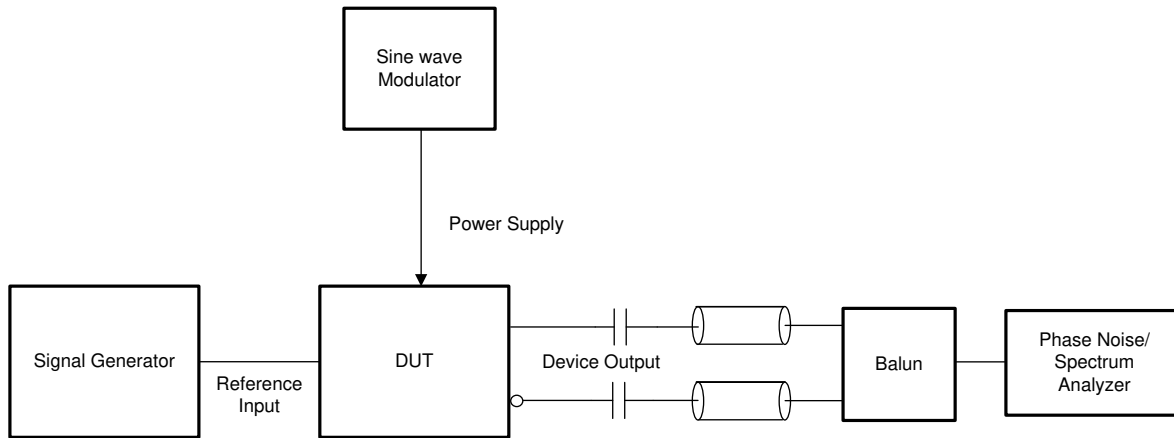
**Figure 6-6. HSDS Output Phase Domain Test Configuration**



**Figure 6-7. HCSL Output Time Domain Test Configuration**



**Figure 6-8. HCSL Output Phase Domain Test Configuration**



Single-side band spur level measured in dBc with a known noise amplitude and frequency injected onto the device power supply.

**Figure 6-9. Power Supply Noise Rejection (PSNR) Test Configuration**

ADVANCE INFORMATION

## 7 Detailed Description

### 7.1 Overview

The LMK5C22212A has two reference inputs, two digital PLLs (DPLL), two analog PLLs (APLLs) with integrated VCOs, and twelve output clocks. APLL1 uses an ultra-high performance BAW VCO (VCBO) with a very high quality factor, and thus minimizes dependency on the phase noise or frequency of the external oscillator (XO) input clock. TI's VCBO technology reduces the overall solution cost to meet the free-run and holdover frequency stability requirements. An XO, TCXO, or OCXO must be selected based on system holdover stability requirements. APLL1 can be controlled by the corresponding DPLL1, allowing the APLL1 domain to be locked to the DPLL1 reference input for synchronous clock generation. The DPLL2/APLL2 similarly can be locked to the same referenced input as DPLL1 or locked to a separate reference input to create another synchronization domain. Each APLL can select a reference from either XO port or another APLL divided clock. The DPLL can select a synchronization input reference from reference inputs INx or align to another APLL domain by selecting feedback from a cascade dividers.

The DPLL reference input mux supports automatic input selection based on priority and reference signal monitoring criteria. Manual input selection is also possible through software or pin control. The device provides [Hitless Switching](#) between reference sources with proprietary phase cancellation and phase slew control for superior phase transient performance. The [Reference Input Monitoring](#) block monitors the clock inputs and performs a hitless switchover or holdover when a loss of reference (LOR) is detected. A LOR condition is detected upon any violation of the threshold limits set for the input monitors, which include frequency, missing and early pulse, runt pulse, and 1PPS (pulse-per-second) detectors. The threshold limits for each input detector can be set and enabled per reference clock input. The [Tuning Word History](#) monitor feature determines the initial output frequency accuracy upon entry into holdover based on the historical average frequency when locked, thereby minimizing the frequency and phase disturbance during a LOR condition.

The LMK5C22212A has twelve outputs with programmable output driver types, allowing up to twelve differential clocks or a combination of differential and single-ended clocks). Up to four single-ended 1.8V or 2.65V LVCMOS output clocks (each from \_P and \_N outputs from OUT0 and OUT1) can be configured with ten differential output clocks. Each output clock derives from one of two APLL/VCO domains through the output muxes. Output 0 (OUT0) and Output 1 (OUT1) are the most flexible and can select the source from the XO, reference input, or any APLL domain. A CMOS 1PPS output can be supported on Outputs 0 (OUT0) and Output 1 (OUT1). The output dividers have a SYNC feature to allow multiple outputs to be phase-aligned. [Zero-Delay Mode \(ZDM\)](#) can also achieve a deterministic phase alignment between a clock from DPLL1 or DPLL2 presented to OUT0 and the selected reference input. An alternate ZDM feedback path is available on OUT10 for DPLL1 and OUT4 for DPLL2.

To support IEEE 1588 PTP secondary clock or other clock steering applications, the DPLL supports DCO mode with less than 1ppt (part per trillion) frequency resolution for precise frequency and phase adjustment through software or pin control.

The device is fully programmable through I<sup>2</sup>C or SPI and supports start-up frequency configuration with factory preprogrammed internal ROM pages. A programmable [EEPROM Overlay](#), which allows POR configuration of registers related to APLL and output configuration, provides flexible power up output clocks. The DPLL configuration is not set by EEPROM values, but initialized based on the [ROM Page Selection](#), and fully programmable using the serial control interface. Internal LDO regulators provide excellent PSNR to reduce the cost and complexity of the power delivery network. The clock input and PLL monitoring status are visible through the GPIO status pins and interrupt registers readback for full diagnostic capability.

## 7.2 Functional Block Diagram

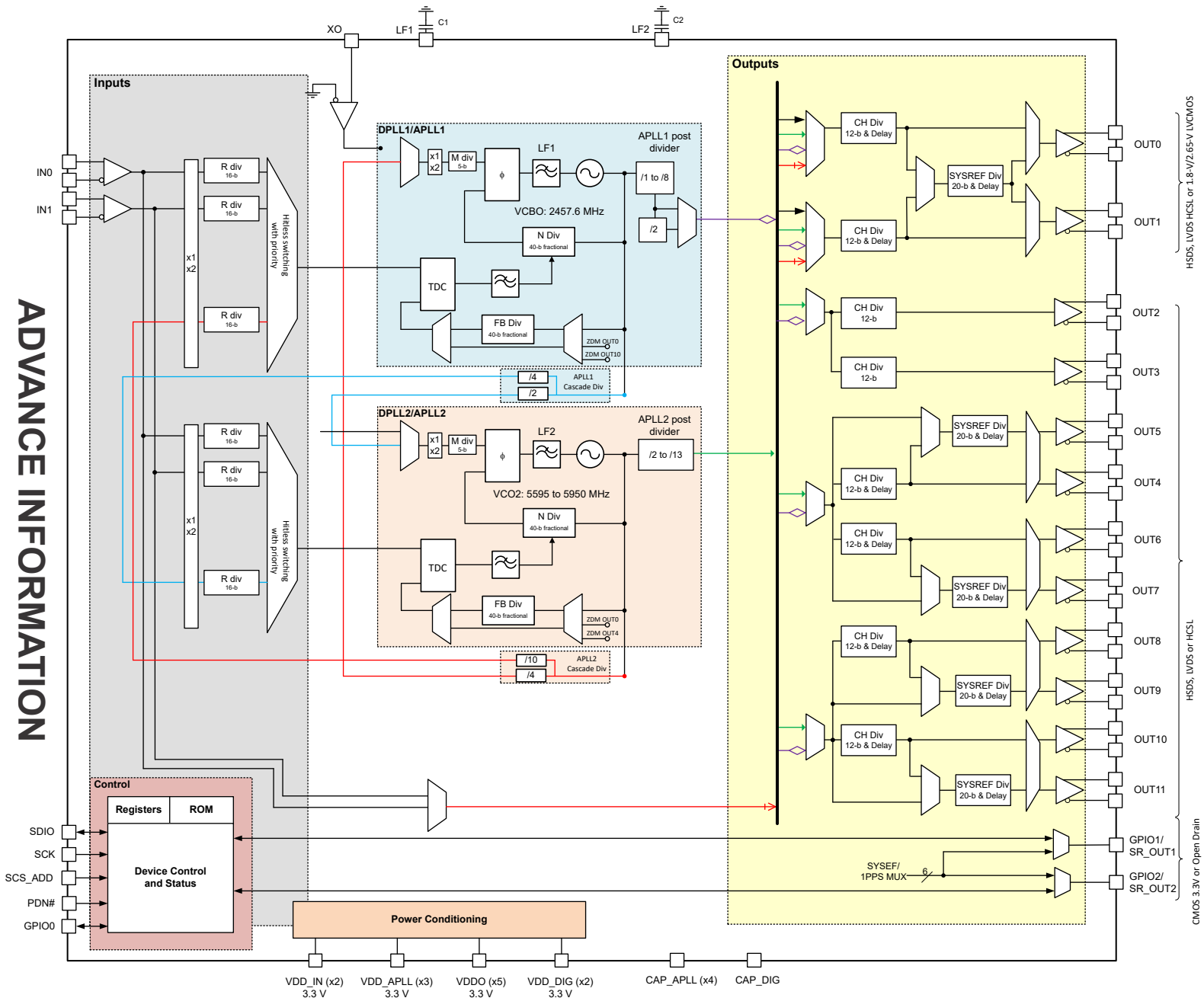


Figure 7-1. LMK5C22212A Top-Level Block Diagram

### 7.2.1 PLL Architecture Overview

Figure 7-2 shows the PLL architecture implemented in the LMK5C22212A. The primary channel consists of a digital PLL (DPLL1) and analog PLL (APLL1) with integrated BAW VCO (VCO1). APLL2 with integrated LC VCO (VCO2) can generate secondary frequency domain. The numerator in the APLL2 feedback N divider can be controlled by DPLL2 if a second synchronization domain is needed.

The DPLL is comprised of a time-to-digital converter (TDC), digital loop filter (DLF), and programmable 40-bit fractional feedback (FB) divider with sigma-delta-modulator (SDM). The APLLs are comprised of a reference (R) divider, phase-frequency detector (PFD), loop filter (LF), fractional feedback (N) divider with SDM, and VCO.

The DPLL has a reference selection mux that allows the DPLL to be either locked to another VCO domain (DPLL Cascaded) of the APLL or locked to the reference input (Non-Cascaded) providing unique flexibility in frequency and phase control across multiple clock domains.

Each APLL has a reference selection mux that allows the APLL to be either locked to another VCO domain (APLL Cascaded) of the APLL or locked to the XO input (Non-Cascaded).

Do not cascade one VCO output to both the DPLL reference and APLL reference of the same DPLL/APLL pair.

Each APLL has a fixed 40 bit denominator controllable by the DPLL. When operating an APLL without the DPLL, a programmable 24 bit denominator is also available allowing an APLL to cascade between frequency domains with 0ppm frequency error.

Any unused DPLL or APLL must be disabled (powered-down) to save power. Each VCO of the APLL drives the clock distribution blocks using the respective VCO post-dividers. If the post-divider setting is 1 for VCO1, the post-divider is bypassed and VCO1 feeds the output clock distribution blocks directly.

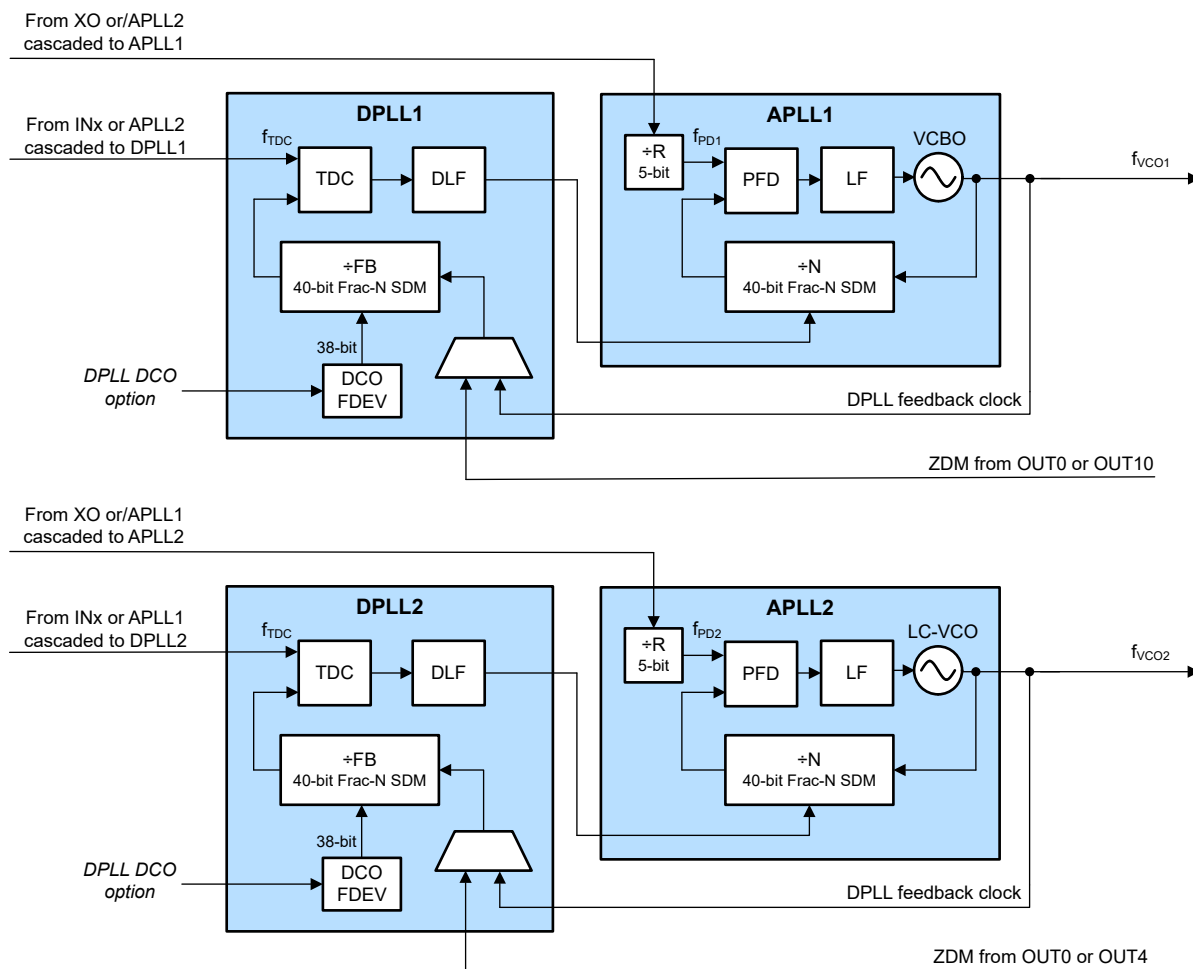


Figure 7-2. PLL Architecture

The following sections describe the basic principles of DPLL and APLL operation. See [DPLL Operating States](#) for more details on the PLL modes of operation including holdover.

### 7.2.2 DPLL

When DPLL operation is enabled, the clock source on the XO pin determines the free-run and holdover frequency stability and accuracy of the output clocks. The VCBO determines the BAW APLL output clock phase noise and jitter performance over the 12kHz to 20MHz integration band, regardless of the frequency and jitter of

the XO pin input. This increased immunity from reference noise degradation allows the BAW APLL to use a cost-effective, low-frequency TCXO or OCXO as the external XO input while still maintaining standards-compliant frequency stability and low loop bandwidth ( $\leq 10\text{Hz}$ ) required for SyncE and PTP synchronization applications. The other APLL contain a conventional LC-type VCO which can be optimized for best jitter performance over the DC to 100kHz integration band by using a wide loop bandwidth with a clean reference and a high phase detector frequency. When encountering system performance limitations arising from XO frequency or phase noise, there are unique cascading options to provide a clean high frequency reference for the LC APLL. The LMK5C22212A allows the user to select the divided output from the VCBO (BAW APLL Cascaded) which can significantly reduce the LC APLL output RMS jitter.

If DCO mode is enabled on a DPLL, a frequency deviation step value (FDEV) can be programmed and used to adjust (increment or decrement) the FB divider numerator of the DPLL. The DCO frequency adjustment effectively propagates through the APLL domain to the output clocks and any cascaded DPLL/APLL domains.

The programmed DPLL loop bandwidth ( $BW_{DPLL}$ ) must be lower than all of the following:

1. 1/100th of the DPLL TDC rate.
2. 1/10th the APLL loop bandwidth.
3. The maximum DPLL bandwidth setting of 4 kHz.

#### 7.2.2.1 Independent DPLL Operation

In independent DPLL operation, the DPLL can select a reference input (INx) as preferred. DPLL1 and DPLL2 can share the same reference or each select a different reference. At start-up, each APLL locks to the XO input after initialization and operate in free-run mode. Once a valid DPLL reference input is detected, the DPLL begins lock acquisition based on the reference priority settings. The TDC in the DPLL compares the phase of the selected reference input clock and the FB divider clock from the respective VCO and generates a digital correction word corresponding to the phase error. The correction word is filtered by the digital loop filter (DLF), and the DLF output adjusts the APLL divider numerator to pull the VCO frequency into lock with the reference input.

As each DPLL can work independently in this mode, the DPLLs can lock or unlock without impacting other channels.

When selecting an XO frequency, TI recommends to avoid ratios falling near integer or half integer boundaries to minimize spurious noise. Selecting an XO frequency that results in an APLL fractional N divider ratio (NUM/DEN) between the range of 0.125 to 0.45 and 0.55 to 0.875 is best. Higher frequency XO is better for jitter performance, especially for APLL2 outputs. If the XO frequency or phase noise performance has gap for APLL2, there is an option to adopt cascaded mode using APLL1 as the reference to APLL2.

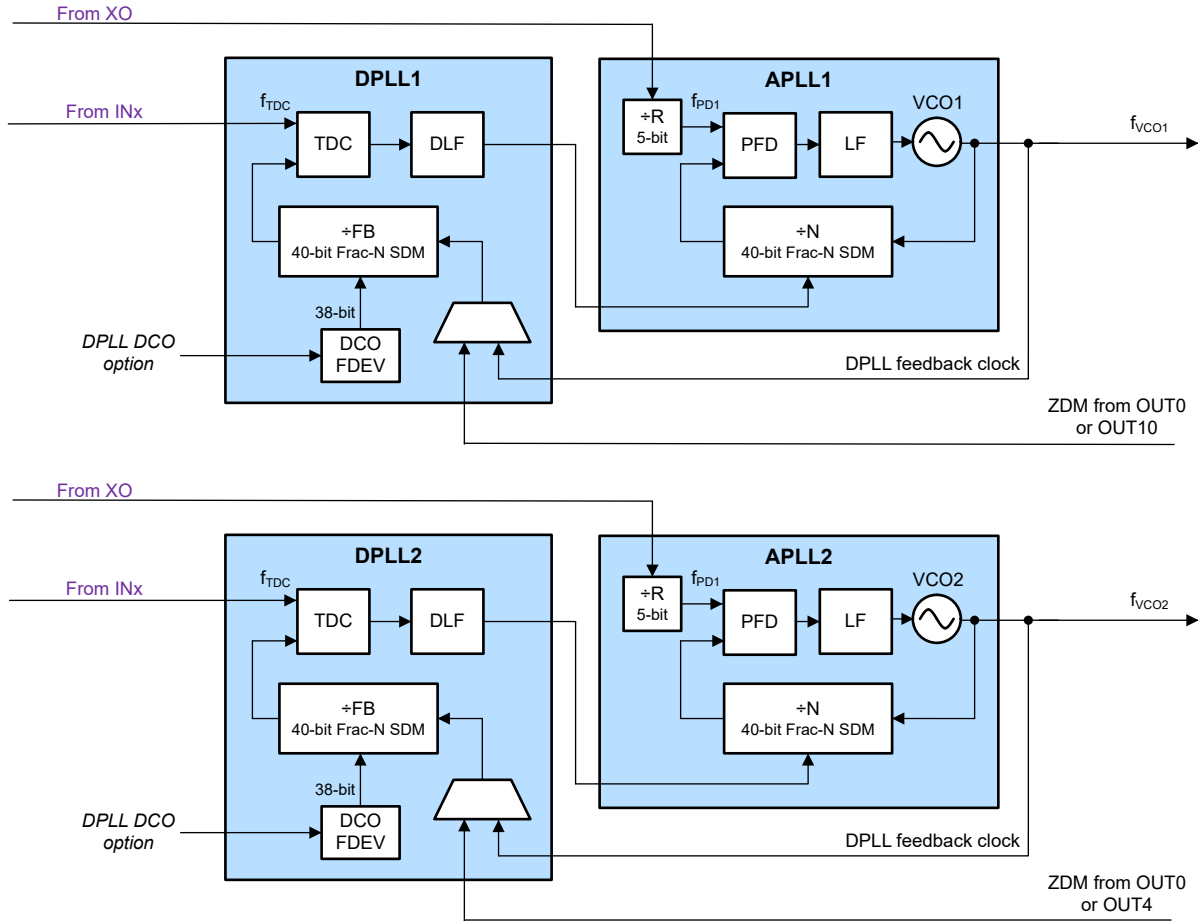


Figure 7-3. DPLL Operation

### 7.2.2.2 Cascaded DPLL Operation

Figure 7-4 shows an example where DPLL1 is in cascaded mode from APLL1. APLL2 and APLL1 lock the VCO frequency to the external XO input and operate in free-run mode when a valid reference input is not present. In this example, DPLL2 is the main DPLL, and DPLL1 is a cascaded DPLL.

Once a valid DPLL reference input is detected, the main DPLL begins lock acquisition. The DPLL TDC compares the phase of the selected reference input clock with the FB divider clock from the respective VCO and generates a digital correction word corresponding to the phase error. The correction word is filtered by the DLF, and the DLF output adjusts the APLL N divider SDM to pull the VCO frequency into lock with the reference input.

Cascading of DPLLs provides clean, low jitter output clocks synchronized with the main DPLL. Note in cascaded DPLL mode, the best jitter performance and frequency stability is achieved after DPLLs are locked.

When configured with DPLL2 in cascaded mode from APLL1, the DPLL1 lock status does not necessarily impact DPLL2 lock status. If APLL1 is in free-run mode or holdover mode, and the VCBO frequency offset ppm value is still a valid reference for DPLL2, then cascaded DPLL2 and APLL2 are able to maintain lock status, while APLL2 outputs track the same frequency offset as APLL1. When all enabled DPLLs and APLLs are locked, all enabled outputs are synchronized to the reference selected by the main DPLL.

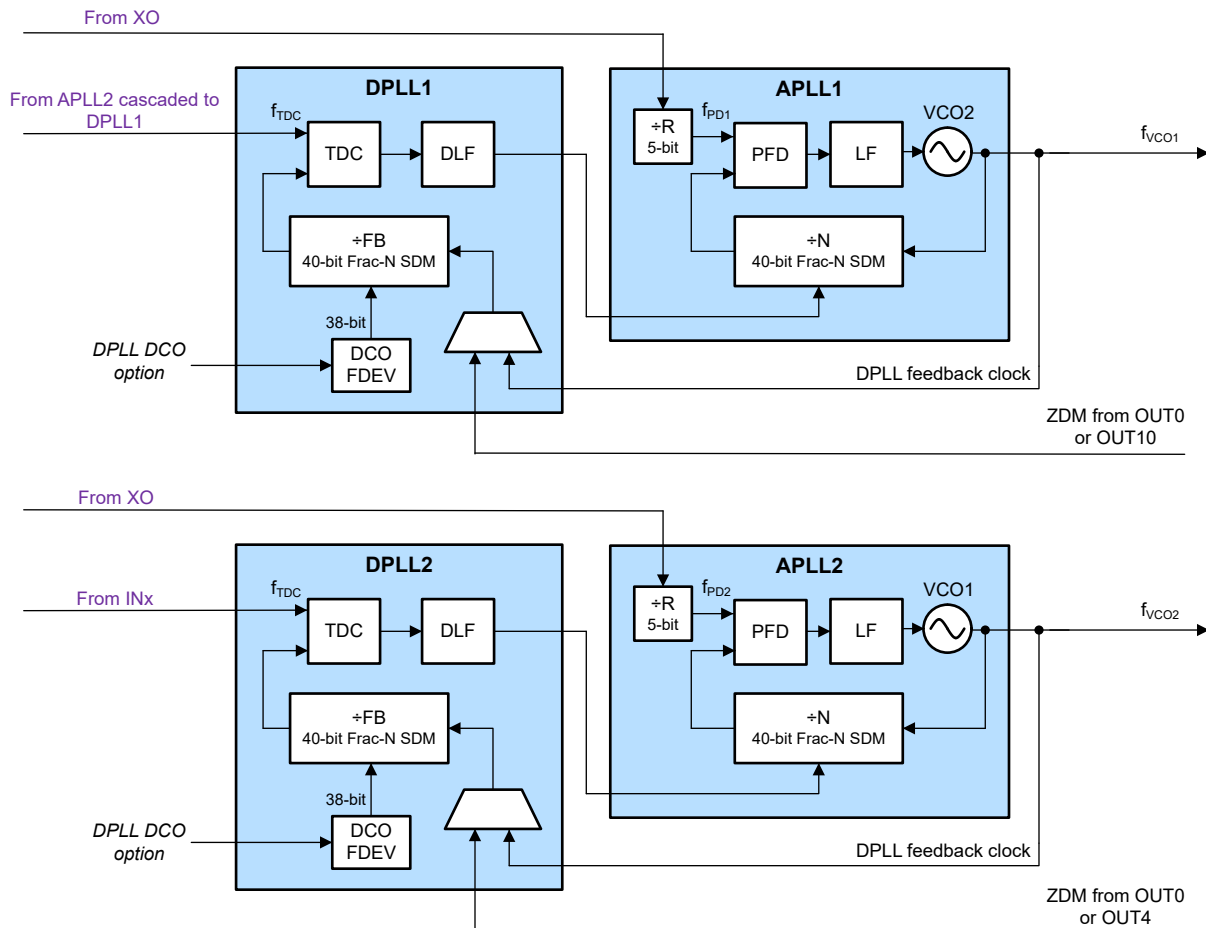


Figure 7-4. DPLL Cascaded Mode



### 7.2.2.3 APLL Cascaded With DPLL

Figure 7-5 shows APLL2 in cascaded mode from APLL1. VCO1 is held near the nominal center frequency of 2457.6MHz while APLL2 acquires lock. Subsequently, APLL1 locks the VCO1 frequency to the external XO input and operates in free-run mode. Cascaded PLLs lock to a divided frequency from the source VCO. Once a valid DPLL reference input is detected beyond a minimum valid time, the DPLLs begin lock acquisition. Each DPLL TDC compares the phase of the selected reference input clock and the FB divider clock from the respective VCO and generates a digital correction word corresponding to the phase error. At beginning, the TDC simply cancels out the phase error with no filtering correction word. Then subsequent correction words are filtered by the DLF, and the DLF output adjusts the APLL N divider numerator to pull the VCO frequency into lock with the reference input.

Using the VCBO as a cascade source to APLL2 provides the APLL a high-frequency, ultra-low-jitter reference clock. This unique cascading feature can provide improved close in phase noise performance if the XO/TCXO/OCXO is a low frequency or has poor phase noise performance. Note that in cascaded DPLL operation the best jitter performance and frequency stability is achieved after DPLL1 locked.

DPLL1 lock status impacts the DPLL2 lock status. If APLL1 is in free-run mode or holdover mode, the VCBO frequency offset ppm value can introduce a similar frequency offset APLL2 outputs even though DPLL2 can stay in locked status. In this configuration example, verify that DPLL1 and APLL1 are locked first, toggle PLL2 enable cycle (APLLx\_EN bit = 0 → 1) to calibrate VCO2, and then double check PLL2 lock status.

In above example, APLL1 is the upstream PLL, while APLL2 is the downstream PLL. If there are system start-up requirements on the clock sequencing, APLL2 also can be configured as the upstream PLL.

When cascading PLLs, the downstream APLL can use the DPLL or bypass and power down the DPLL depending on performance requirements. If DPLL2 is disabled from above APLL cascaded mode, then DPLL1-only cascade mode can be used (Figure 7-6). In this case, VCO2 can track the VCO1 domain during DPLL1 lock acquisition and locked modes, allowing the clock domain of APLL2 to be synchronized to the DPLL1 reference input.

When a DPLL is disabled, using the 24-bit numerator and programmable 24-bit denominator is recommended instead of the fixed 40-bit denominator to eliminate frequency error from APLL reference to output.

Do not cascade one VCO output to both the DPLL reference and APLL reference of the same DPLL/APLL pair.

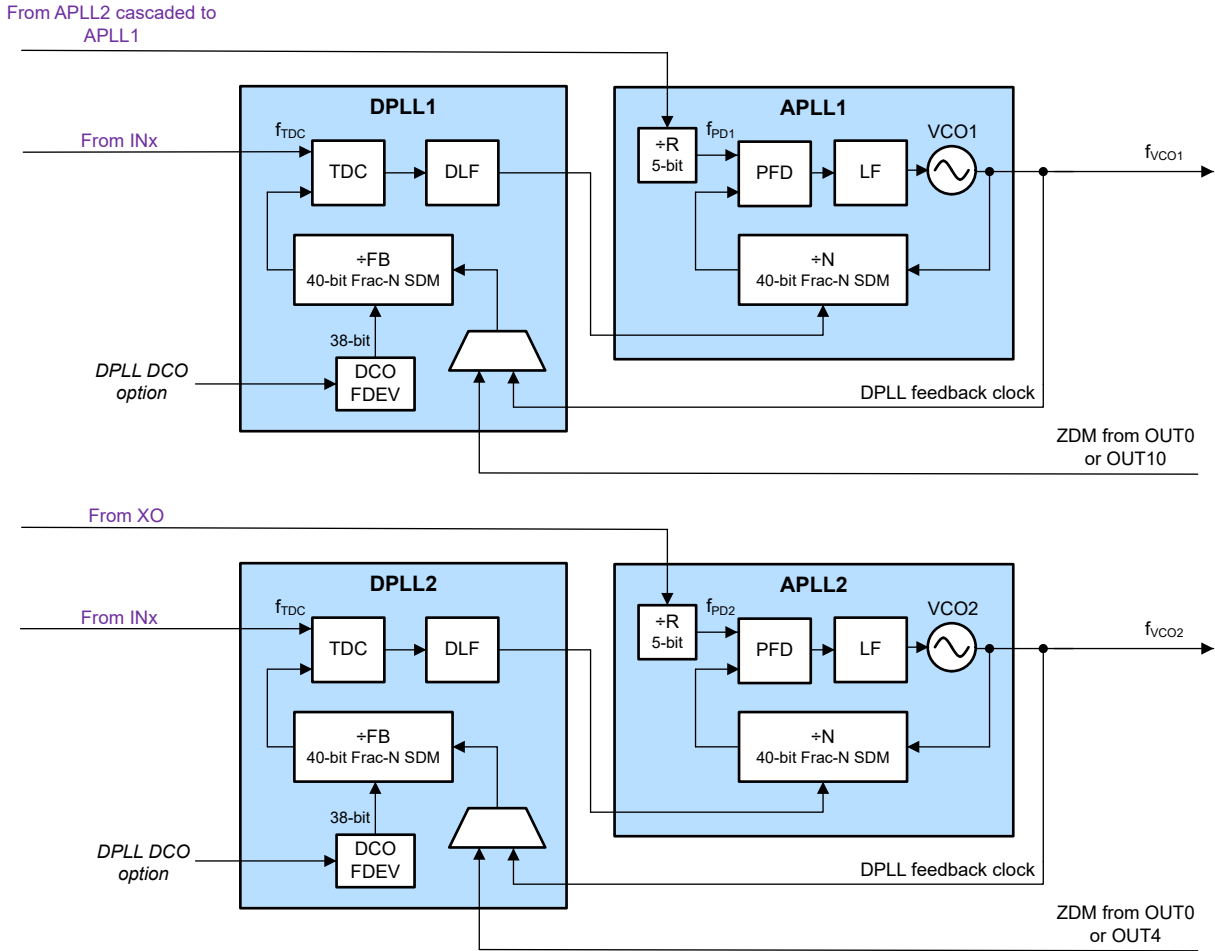


Figure 7-5. APLL Cascaded With DPLLs Enabled Example

ADVANCE INFORMATION

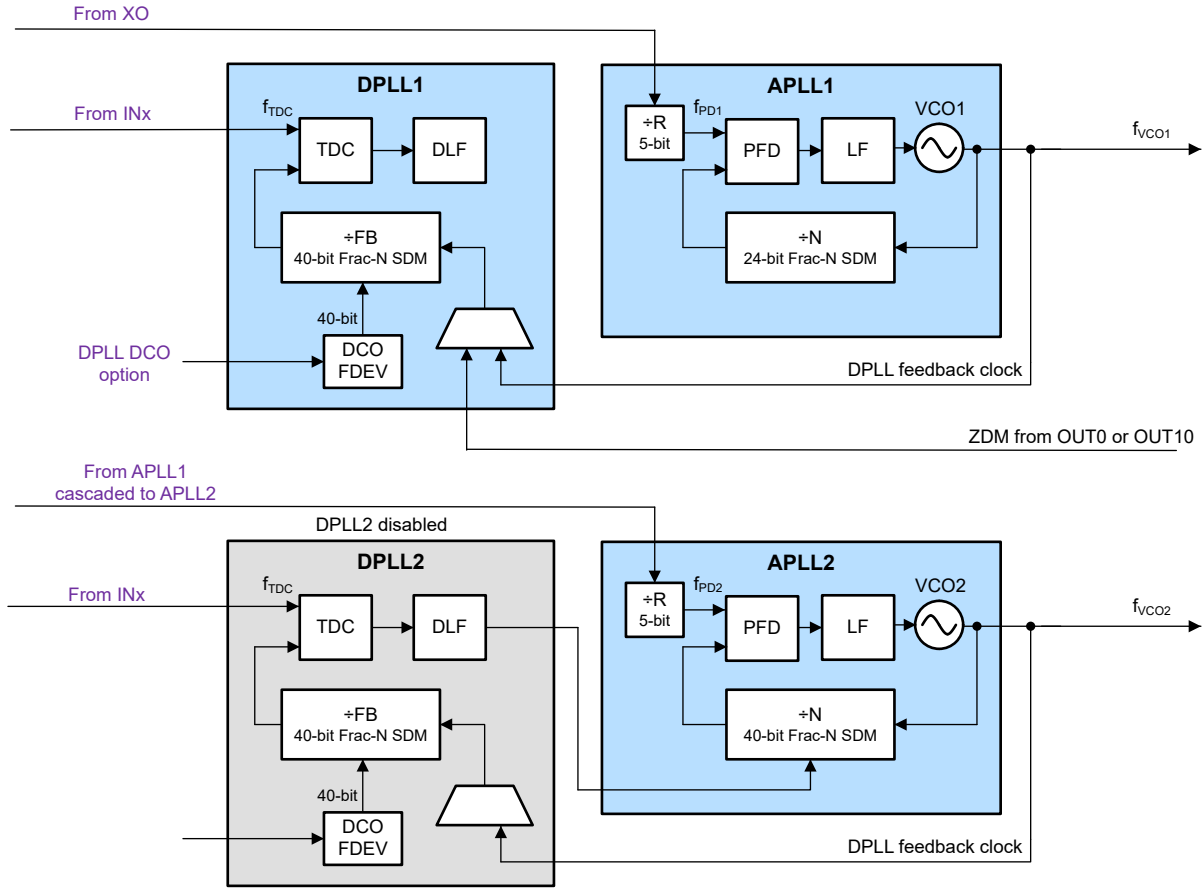


Figure 7-6. APLL Cascaded With DPLL Disabled Example

### 7.2.3 APLL-Only Mode

In APLL-only mode, the external XO input source determines the free-run frequency stability and accuracy of the output clocks. The DPLL blocks are not used and do not affect the APLLs. APLLs still can operate in cascaded mode or non-cascaded mode and also have DCO option through control register writes.

The principle of operation for APLL-only mode after power-on reset and initialization is as follows. If APLL2 is in cascaded mode as shown in Figure 7-6 (DPLL1 also is not used), VCO2 tracks the VCO1 domain. APLLs lock in APLL priority order using bits: APLLx\_STRT\_PRTY. Cascading APLL2 from VCO1 provides a high-frequency, ultra-low-jitter reference clock to minimize the APLL2 in-band phase noise/jitter degradation can otherwise occur from a lower performance XO/TCXO/OCXO.

If APLL2 is not cascaded as shown in Figure 7-7, VCO2 locks to the XO input in APLLx\_STRT\_PRTY order after initialization and operate independent of the APLL1 domain.

For frequency accuracy, using a 24-bit numerator and a programmable 24-bit denominator (PLLx\_MODE = 0) instead of a fixed 40-bit denominator (PLLx\_MODE = 1) is recommended when operating in APLL-Only mode.

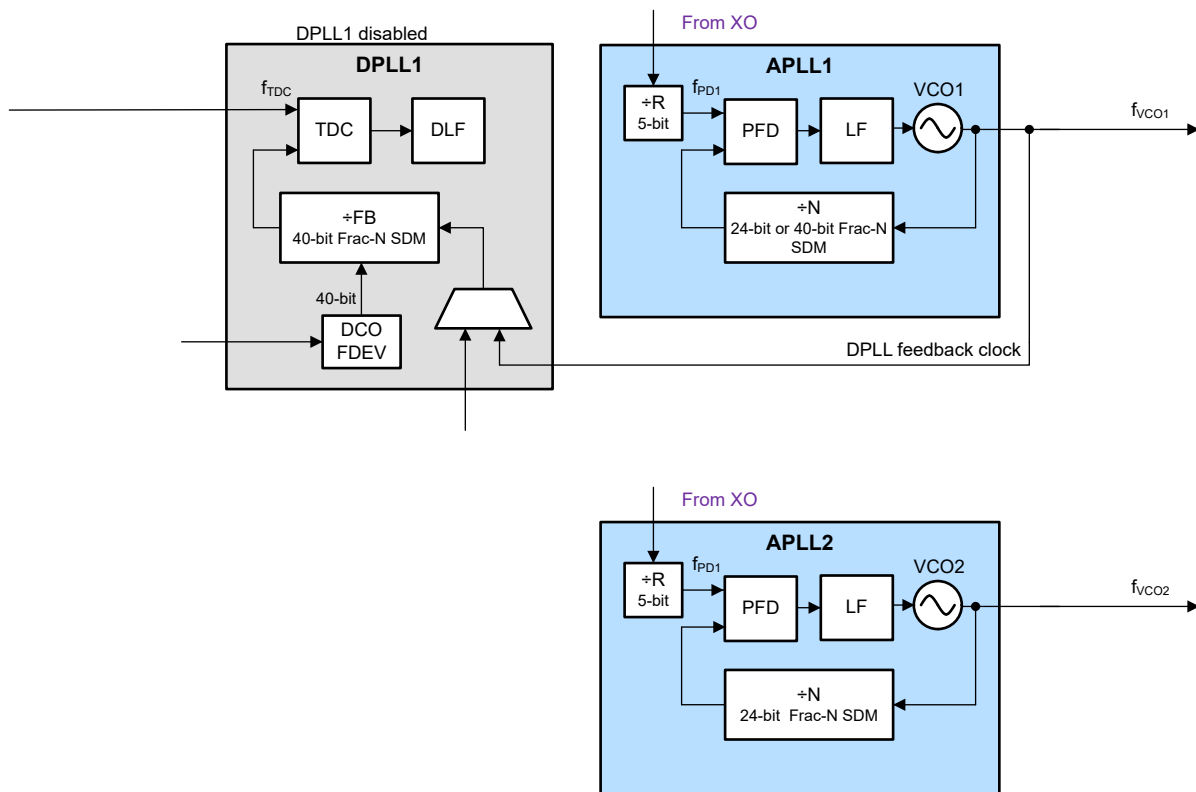


Figure 7-7. APLL-Only Independent Mode

## 7.3 Feature Description

The following sections describe the features and functional blocks of the LMK5C22212A .

### 7.3.1 Oscillator Input (XO)

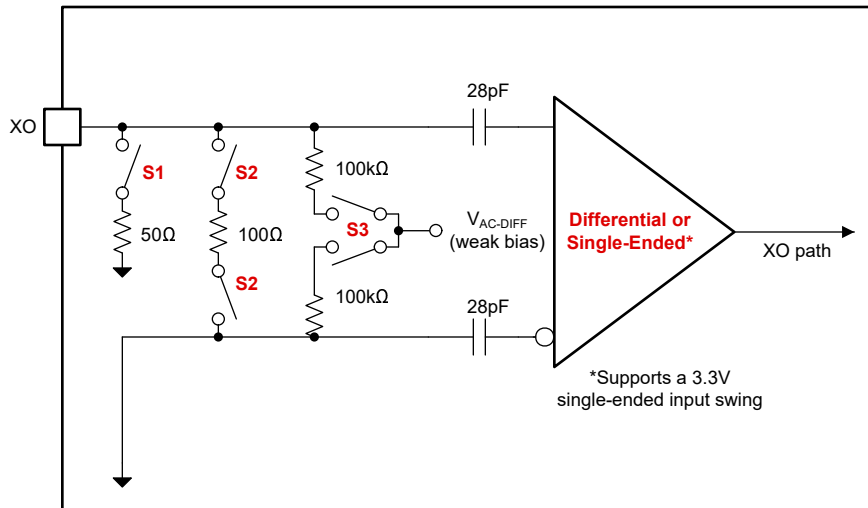
The XO input is the reference clock for the fractional-N APLLs when the APLLs are not used in cascade mode. The XO input determines the output frequency accuracy and stability in free-run or holdover modes.

For proper DPLL operation, the XO frequency must have a **non-integer relationship** with the VCO frequency so the respective APLL N divider has a fractional divider ratio. For APLL-only mode, the XO frequency can have an integer or fractional relationship with the VCOs frequencies.

For applications requiring DPLL functionality, such as SyncE and PTP/IEEE-1588 for eCPRI, the XO input can be driven by a TCXO, OCXO, or external traceable clock that conforms to the frequency accuracy and holdover stability required by the applicable synchronization standard. TCXO and OCXO frequencies of 13MHz, 14.4MHz, 19.44MHz, 24MHz, 25MHz, 27MHz, 38.88MHz, 48MHz, and 54MHz are commonly available and cost-effective options that allow the BAW APLL to operate in fractional mode for a VCBO frequency of 2457.6MHz.

An XO/TCXO/OCXO source with low frequency or high phase jitter/noise floor has no impact on the BAW APLL output jitter performance because the VCBO determines the jitter and phase noise over the 12kHz to 20MHz integration bandwidth. An XO doubler increasing the PFD frequency can be enabled for each APLL to further optimize close in phase noise performance.

The XO input buffer has programmable input on-chip termination and AC-coupled input biasing configurations as shown in Figure 7-8. The buffered XO path also drives the input monitoring blocks.



**Figure 7-8. XO Input Buffer**

Table 7-1 lists the typical XO input buffer configurations for common clock interface types.

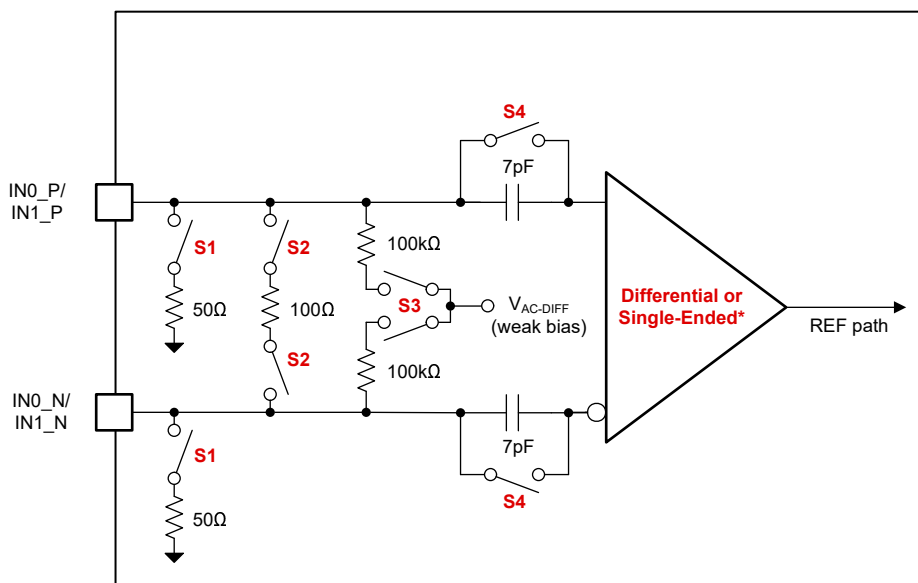
**Table 7-1. XO Input Buffer Modes**

| XO_TYPE | INPUT TYPES                      | INTERNAL SWITCH SETTINGS               |                                   |
|---------|----------------------------------|--|-----------------------------------|
|         |                                  | INTERNAL TERM. (S1, S2) <sup>(1)</sup> | INTERNAL BIAS (S3) <sup>(2)</sup> |
| 0x00    | DC (external termination)        | OFF                                    | OFF                               |
| 0x01    | AC (external termination)        | OFF                                    | ON (1.3V)                         |
| 0x03    | AC (internal 100Ω to GND)        | 100Ω                                   | ON (1.3V)                         |
| 0x04    | DC (internal 50Ω to GND)         | 50Ω                                    | OFF                               |
| 0x05    | AC (internal 50Ω to GND)         | 50Ω                                    | ON (1.3V)                         |
| 0x08    | LVC MOS                          | OFF                                    | OFF                               |
| 0x0C    | LVC MOS<br>(internal 50Ω to GND) | 50Ω                                    | OFF                               |

- (1) S1, S2: OFF = External termination is assumed.
- (2) S3: OFF = External input bias or DC coupling is assumed.

### 7.3.2 Reference Inputs

The reference inputs (IN0 and IN1) can accept differential or single-ended clocks. Each input has programmable input type, termination, and DC-coupled or AC-coupled input biasing configurations as shown in Figure 7-9. Each input buffer drives the reference input mux of the DPLL block. The DPLL input mux can select from any of the reference inputs. The DPLL can switch between inputs with different frequencies if the frequencies can be divided-down to a common frequency by DPLL R dividers. The reference input paths also drive the various detector blocks for reference input monitoring and validation. DC-path switch can bypass internal AC-coupling capacitors to make low frequency input work robustly.



**Figure 7-9. Reference Input Buffer**

Table 7-2 lists the reference input buffer configurations for common clock interface types.

**Table 7-2. Reference Input Buffer Modes**

| REF <sub>x</sub> _ITYPE,<br>R68/R67 | INPUT TYPE  | INTERNAL REGISTER AND SWITCH SETTINGS |  |                                   |   |   |  |
|-------------------------------------|---|---------------------------------------|--|-----------------------------------|---|---|--|
|                                     |   | HYSTERESIS,<br>R68[5]                 | AC CAPACITOR<br>BYPASS,<br>R68[4], S4 <sup>(1)</sup> | SINGLE-ENDED<br>SELECT,<br>R68[3] | SINGLE-ENDED<br>TERM.,<br>R68[2], S1 <sup>(2)</sup> | DIFFERENTIAL<br>TERM.,<br>R68[1], S2 <sup>(2)</sup> | WEAK BIAS<br>(1.3V)<br>R68[0], S3 <sup>(3)</sup> |
| 0x00                                | Differential,<br>ext. DC-coupled,<br>ext. term.                             | 0                                     | 0  | 0                                 | 0   | 0   | 0  |
| 0x01                                | Differential,<br>ext. AC-coupled,<br>ext. term.                             | 0                                     | 0  | 0                                 | 0   | 0   | 1  |
| 0x02                                | Differential,<br>ext. DC-coupled,<br>int. 100Ω diff.<br>term.,<br>LVDS/HSDS | 0                                     | 0  | 0                                 | 0   | 1   | 0  |
| 0x03                                | Differential,<br>ext. AC-coupled,<br>int. 100Ω diff.<br>term.,<br>LVDS/HSDS | 0                                     | 0  | 0                                 | 0   | 1   | 1  |
| 0x04                                | Differential,<br>ext. DC-coupled,<br>int. 50Ω to GND<br>HCSL                | 0                                     | 0  | 0                                 | 1   | 0   | 0  |
| 0x05                                | Differential,<br>ext. AC-coupled,<br>int. 50Ω to GND,<br>HCSL               | 0                                     | 0  | 0                                 | 1   | 0   | 1  |

Table 7-2. Reference Input Buffer Modes (continued)

| REFx_ITYPE,<br>R68/R67 | INPUT TYPE  | INTERNAL REGISTER AND SWITCH SETTINGS |  |                                   |   |   |  |
|------------------------|---|---------------------------------------|--|-----------------------------------|---|---|--|
|                        |   | HYSTERESIS,<br>R68[5]                 | AC CAPACITOR<br>BYPASS,<br>R68[4], S4 <sup>(1)</sup> | SINGLE-ENDED<br>SELECT,<br>R68[3] | SINGLE-ENDED<br>TERM.,<br>R68[2], S1 <sup>(2)</sup> | DIFFERENTIAL<br>TERM.,<br>R68[1], S2 <sup>(2)</sup> | WEAK BIAS<br>(1.3V)<br>R68[0], S3 <sup>(3)</sup> |
| 0x08                   | Single-ended,<br>ext. DC-coupled,<br>int. AC-coupled<br>70mV threshold,<br>LVCMOS           | 0                                     | 0  | 1                                 | 0   | 0   | 0  |
| 0x0C                   | Single-ended,<br>ext. DC-coupled,<br>int. AC-coupled,<br>int. 50Ω to GND,<br>70mV threshold | 0                                     | 0  | 1                                 | 1   | 0   | 0  |
| 0x18                   | Single-ended,<br>ext. DC-coupled,<br>int. DC-coupled<br>150mV hysteresis,<br>LVCMOS         | 0                                     | 1  | 1                                 | 0   | 0   | 0  |
| 0x28                   | Single-ended,<br>ext. DC-coupled,<br>int. AC-coupled<br>210mV hysteresis,<br>LVCMOS         | 1                                     | 0  | 1                                 | 0   | 0   | 0  |
| 0x38                   | Single-ended,<br>ext. DC-coupled,<br>int. DC-coupled<br>0mV hysteresis,<br>LVCMOS           | 1                                     | 1  | 1                                 | 0   | 0   | 0  |

(1) S4: 0 = Differential input amplitude detector can be used for all input types except LVCMOS or single-ended.

(2) S1, S2: 0 = External termination is assumed.

(3) S3: 0 = External input bias or DC-coupling is assumed.

### 7.3.3 Clock Input Interfacing and Termination

Figure 7-10 through Figure 7-14 show the recommended input interfacing and termination circuits. Unused clock inputs can be left floating or pulled down.

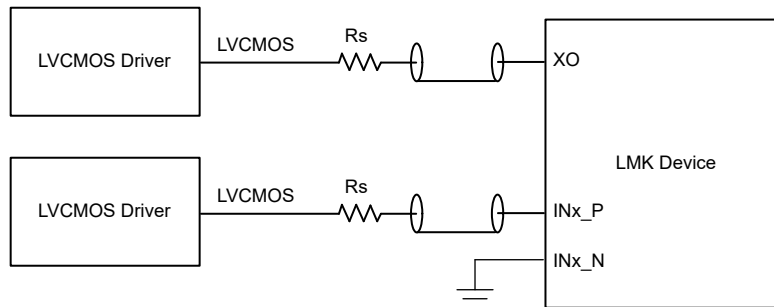


Figure 7-10. Single-Ended LVCMOS (1.8V, 2.5V, 3.3V) to Reference (INx\_P) or XO Input (XO)

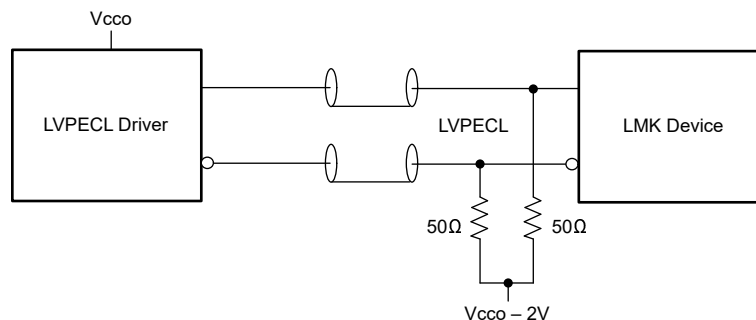


Figure 7-11. DC-Coupled LVPECL to Reference (INx)

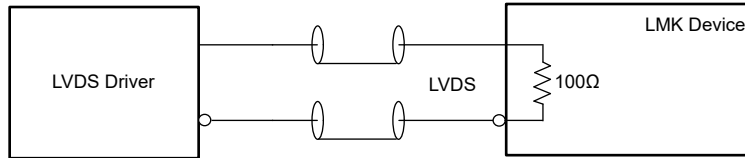


Figure 7-12. DC-Coupled HSDS/LVDS to Reference (INx)

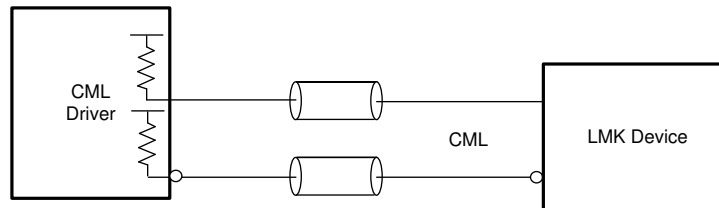


Figure 7-13. DC-Coupled CML (Source Terminated) to Reference (INx)

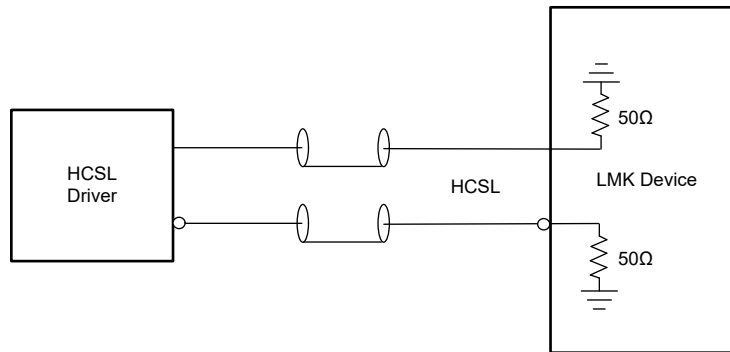


Figure 7-14. HCSSL (Load Terminated) to Reference (INx)

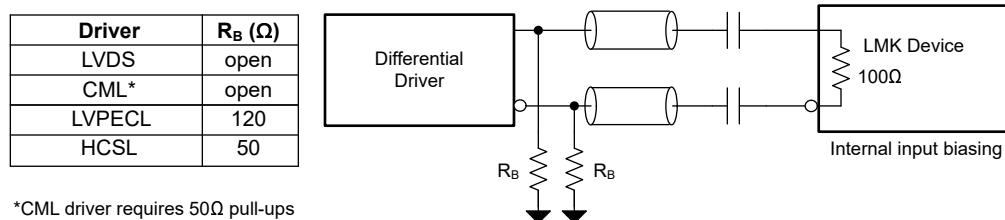


Figure 7-15. AC-Coupled Differential to Reference (INx)

### 7.3.4 Reference Input Mux Selection

For the DPLL block, the reference input mux selection can be done automatically using an internal state machine with a configurable input priority scheme, or manually through software register control or hardware pin control. The input mux can select IN0 or IN1 for LMK5C22212A. The priority for all inputs can be assigned through registers. The priority ranges from 0 to 7, where 0 = ignore (never select), 1 = first priority, 2 = second priority and 7 = 7th priority. When inputs are configured with the same priority setting, the lower enumeration INx is given first priority (IN0 → IN1). The selected input can be monitored through the status pins or register.

#### 7.3.4.1 Automatic Input Selection

There are two automatic input selection modes that can be set by register: Auto Revertive and Auto Non-Revertive.



- *Auto Revertive*: In this mode, the DPLL automatically selects the valid input with the highest configured priority. If a clock with higher priority becomes valid, the DPLL automatically switches over to that clock immediately.
- *Auto Non-Revertive*: In this mode, the DPLL automatically selects the highest priority input that is valid. If a higher priority input becomes valid, the DPLL does not switch over until the currently selected input becomes invalid.

### 7.3.4.2 Manual Input Selection

There are two manual input selection modes that can be set by a register: Manual with Auto-Fallback and Manual with Auto-Holdover. In either manual mode, the input selection can be done through register control (Register DPLLx\_MAN\_REF\_SEL) or hardware pin control (GPIOs).

- *Manual with Auto-Fallback*: In this mode, the manually selected reference is the active reference until the reference becomes invalid. If the reference becomes invalid, the DPLL automatically falls back to the highest priority input that is valid or qualified. If no prioritized inputs are valid, the DPLL enters holdover mode (if tuning word history is valid) or free-run mode. The DPLL exits holdover mode when the selected input becomes valid.
- *Manual with Auto-Holdover*: In this mode, the manually selected reference is the active reference until the reference becomes invalid. If the reference becomes invalid, the DPLL automatically enters holdover mode (if tuning word history is valid) or free-run mode. The DPLL exits holdover mode when the selected input becomes valid.

The reference input selection flowchart is shown in [Figure 7-16](#).

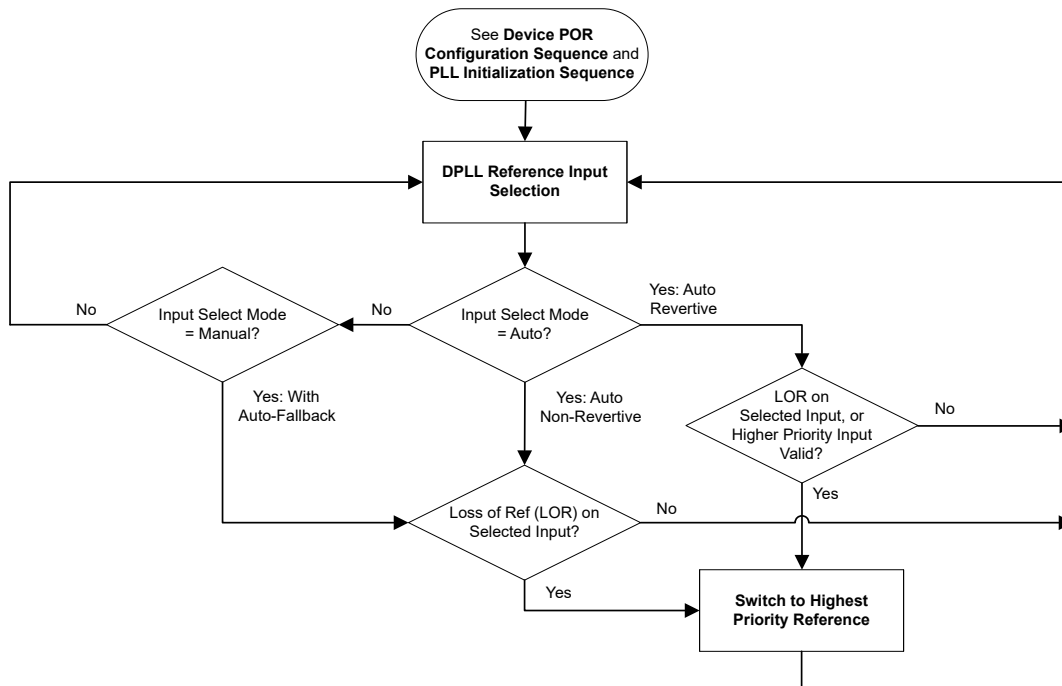


Figure 7-16. DPLL Reference Input Selection Flowchart

### 7.3.5 Hitless Switching

The DPLL supports hitless switching through TI's proprietary phase cancellation scheme with an optional phase slew control scheme. When hitless switching is disabled, a phase hit equal to the phase offset between the two inputs is propagated to the output at a rate determined by the filtering of the DPLL bandwidth.

#### 7.3.5.1 Hitless Switching With Phase Cancellation

Typically phase cancellation is enabled during hitless switching to prevent a phase transient (phase hit) from immediately propagating to the outputs when switching between two frequency-locked reference inputs with a

fixed phase offset. The phase cancellation persists indefinitely in the use case scenario when phase slew is not enabled commonly referred to as phase buildout. The inputs are frequency-locked when the inputs have the same exact frequency (0-ppm offset), or have frequencies that are integer-related and can each be divided to a common frequency by integers. The hitless switching specifications ( $t_{\text{HITLESS}}$  and  $f_{\text{HITLESS}}$ ) are valid for reference inputs with no wander. In the case where two inputs are switched but are not frequency-locked, the output smoothly transitions to the new frequency with reduced transient.

### 7.3.5.2 Hitless Switching With Phase Slew Control

Enabling Phase Slew Control constrains the output phase transient or phase hit during hitless switching and holdover exit. Users can select `DPLLx_PHS1_EN` to enable Phase Slew Control to follow the step limits set in `DPLLx_PHS1_THRESH` and `DPLLx_PHS1_TIMER`. When transitioning slowly is desired while tracking the new input phase, enabling phase slew control removes the phase cancellation or phase build out based on the programmed timer value and step limits. Similarly when the DPLL switches from APLL-only mode or holdover mode to DPLL Lock Acquisition mode, or hitless switching with two inputs are not frequency-locked the phase slew limits are then applied. When both Phase Cancellation function and Phase Slew Control function are disabled, a phase hit equal to the phase offset between XO and selected input or between the two inputs at the moment of switching are then propagated to the output at a rate determined by the DPLL loop bandwidth. In the case where two inputs are switched but are not frequency-locked Phase Slew Control function can verify that the output smoothly transitions to the new frequency as the rate the defined by the step limits.

### 7.3.6 Gapped Clock Support on Reference Inputs

The DPLL supports locking to an input clock that has missing periods and is referred to as a gapped clock. Gapping severely increases the jitter of a clock, so the DPLL provides the high input jitter tolerance and low loop bandwidth necessary to generate a low-jitter periodic output clock. The resulting output is a periodic non-gapped clock with an average frequency of the input with the missing cycles. The gapped clock width can not be longer than the reference clock period after the R divider ( $R_{\text{INX}} / f_{\text{INX}}$ ). The reference input monitors must be configured to avoid any flags due to the worst-case clock gapping scenario to achieve and maintain lock. Reference switchover between two gapped clock inputs can violate the hitless switching specification if the switch occurs during a gap in either input clock.

### 7.3.7 Input Clock and PLL Monitoring, Status, and Interrupts

The following section describes the input clock and PLL monitoring, status, and interrupt features. The reference input frequency detector and phase valid detector can not be used at the same time on a single input.

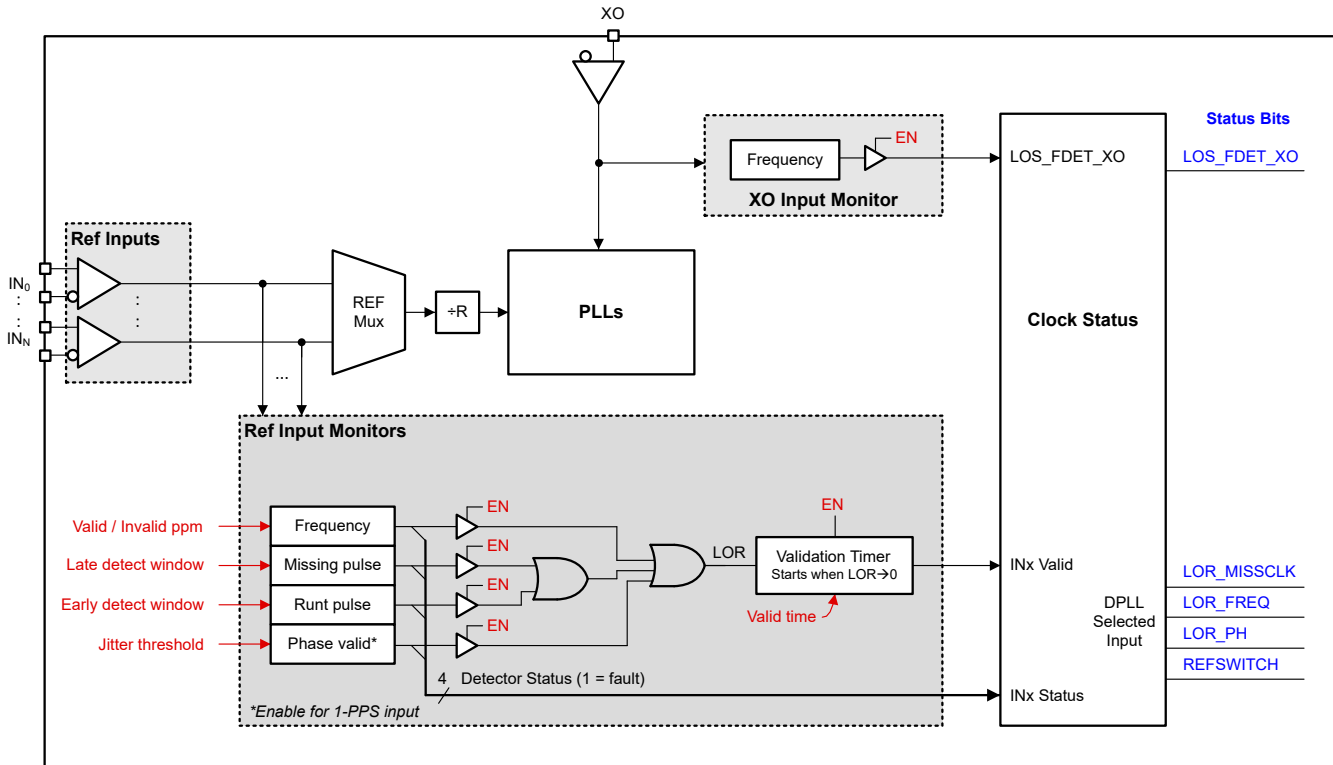


Figure 7-17. Clock Monitors for Reference and XO Inputs

### 7.3.7.1 XO Input Monitoring

The XO input has a coarse frequency monitor to help qualify the input before the monitor is used to lock the APLLs.

The XO frequency detector clears the LOS\_FDET\_XO flag when the input frequency is detected within the range of 9 MHz to 160 MHz to cover the supported XO input frequency range. The XO frequency monitor uses a RC-based detector and therefore can not precisely determine whether XO input clock has sufficient frequency stability. A stable XO input verifies successful VCO calibration of APLL2 or APLL1 during the PLL start-up. When the external XO clock has a slow or delayed start-up behavior TI recommends to force a calibration on APLL2 and APLL1 once the XO input is stable. See [Slow or Delayed XO Start-Up](#) for more information.

The XO frequency detector can be bypassed by setting the XO\_FDET\_BYP bit (shown as  $\overline{EN}$  in Figure 7-17) so that the XO input is always considered valid by the PLL control state machine. The user can observe the LOS\_FDET\_XO status flag through the status pins and status bit. Setting XO\_FDET\_BYP bit bypasses the detect, but does not reflect any change to LOS\_FDET\_XO status flag.

### 7.3.7.2 Reference Input Monitoring

Each DPLL reference clock input is independently monitored for input validation before the clock is qualified and available for selection by the DPLL. The reference monitoring blocks include frequency, missing pulse, and runt pulse monitors. For a 1-PPS input, the phase valid monitor is supported, while the frequency, missing pulse, and runt pulse monitors are not supported and must be disabled. A validation timer sets the minimum time for all enabled reference monitors to be clear of flags before an input is qualified.

The enablement and valid threshold for all reference monitors and validation timers are programmable per input. The reference monitors and validation timers are optional to enable, but are critical to achieve reliable DPLL lock and optimal transient performance during holdover or switchover events, and are also used to avoid selection of an unreliable or intermittent clock input. If a given detector is not enabled, the detector does not set a flag and is ignored. The status flag of any enabled detector can be observed through the status pins for any reference input

(selected or not selected). The status flags of the enabled detectors can also be read through the status bits for the selected input of the DPLL.

#### 7.3.7.2.1 Reference Validation Timer

The validation timer sets the amount of time required for each reference to be clear of flags from all enabled input monitors before the reference is qualified and valid for selection. The validation timer and enable settings are programmable.

#### 7.3.7.2.2 Frequency Monitoring

The precision frequency detector measures the frequency offset or error (in ppm) of all input clocks relative to the XO input frequency, which is considered as the 0-ppm reference clock for frequency comparison. The valid and invalid ppm frequency thresholds are configurable through the registers. The monitor clears the REF<sub>x</sub>\_FDET\_STATUS flag when the relative input frequency error is less than the valid ppm threshold. Otherwise, the monitor sets the REF<sub>x</sub>\_FDET\_STATUS flag when the relative input frequency error is greater than the invalid ppm threshold. The ppm delta between the valid and invalid thresholds provides hysteresis to prevent the REF<sub>x</sub>\_FDET\_STATUS flag from toggling when the input frequency offset is crossing these thresholds.

A measurement accuracy (ppm) and averaging factor are used in computing the frequency detector register settings. A higher measurement accuracy (smaller ppm) or higher averaging factor increases the measurement delay to set or clear the flag, which allows more time for the input frequency to settle, and can also provide better measurement resolution for an input with high drift or wander. Note that higher averaging reduces the maximum frequency ppm thresholds that can be configured.

#### 7.3.7.2.3 Missing Pulse Monitor (Late Detect)

The missing pulse monitor uses a window detector to validate input clock pulses that arrive within the nominal clock period plus a programmable late window threshold ( $T_{LATE}$ ). When an input pulse arrives before  $T_{LATE}$ , the pulse is considered valid and the missing pulse flag is cleared if set. When an input pulse does not arrive before  $T_{LATE}$  (due to a missing or late pulse), the missing pulse flag is set to disqualify the input.

Typically,  $T_{LATE}$  must be set higher than the longest clock period input (including cycle-to-cycle jitter), or higher than the gap width for a gapped clock. The missing pulse monitor can act as a coarse frequency detector with faster detection than the ppm frequency detector. The missing pulse monitor is supported for input frequencies between 2kHz and  $f_{VCO}/12$  and must be disabled when outside this range.

The missing pulse and runt pulse monitors operate from the same window detector block for each reference input. The status flags for both these monitors are combined by logic-OR gate and can be observed through status pin. The window detector flag for a reference can also be observed through the corresponding REF<sub>x</sub>\_MISSCLK\_STATUS bit.

#### 7.3.7.2.4 Runt Pulse Monitor (Early Detect)

The runt pulse monitor uses a window detector to validate input clock pulses that arrive within the nominal clock period minus a programmable early window threshold ( $T_{EARLY}$ ). When an input pulse arrives after  $T_{EARLY}$ , the pulse is considered valid and the runt pulse flag is cleared. When an early or runt input pulse arrives before  $T_{EARLY}$ , the monitor sets the flag immediately to disqualify the input.

Typically,  $T_{EARLY}$  must be set lower than the shortest clock period of the input (including cycle-to-cycle jitter). The early pulse monitor can act as a coarse frequency detector with faster detection than the ppm frequency detector. The early pulse monitor is supported for input frequencies between 2 kHz and  $f_{VCO}/12$  and must be disabled when outside of this range.

Users must enable missing clock detect to use early clock detect. Early clock detect can not be enabled alone.

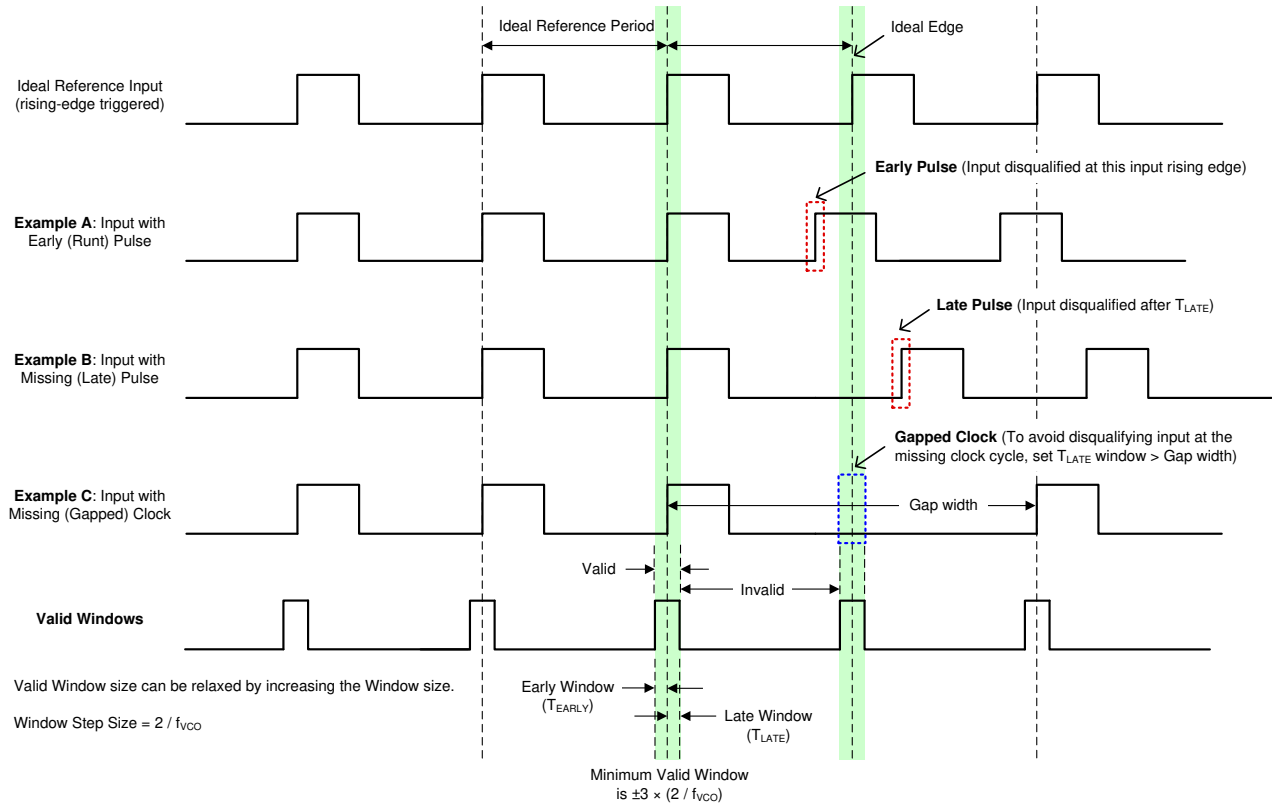


Figure 7-18. Early and Late Window Detector Examples

### 7.3.7.2.5 Phase Valid Monitor for 1-PPS Inputs

The phase valid monitor is designed specifically for 1-PPS input validation because the frequency and window detectors do not support this low frequency. The phase valid monitor uses a window detector to validate 1-PPS input pulses that arrive within the nominal clock period ( $T_{IN}$ ) plus a programmable jitter threshold ( $T_{JIT}$ ). When the input pulse arrives within the counter window ( $T_V$ ), the pulse is considered valid and the phase valid flag is cleared. When the input pulse does not arrive before  $T_V$  (due to a missing or late pulse), the flag is set immediately to disqualify the input.  $T_{JIT}$  must be set higher than the worst-case input cycle-to-cycle jitter.

The phase valid register settings also are valid for 1-PPS ppm error threshold detect. Notice the  $T_{JIT}$  also impacts the worst case ppm error allowed. For example:  $High\_Jitter\_Freq = 1/(T_{IN} - T_{JIT})$ , then Max input allowable ppm error =  $(High\_Jitter\_Freq - Expected\_Freq) / Expected\_Freq \times 1e6$ .

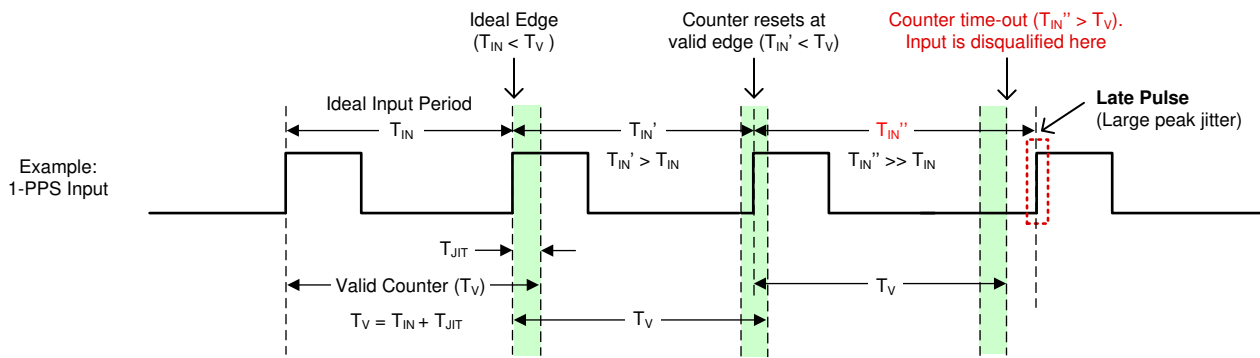


Figure 7-19. 1-PPS Input Window Detector Example

### 7.3.7.3 PLL Lock Detectors

The loss-of-lock (LOL) status is available for each APLL and DPLL. The APLLs are monitored for loss-of-frequency lock only. The DPLL can be monitored for both loss-of-frequency lock (LOFL) and loss-of-phase lock (LOPL). The DPLL lock threshold and loss-of-lock threshold are programmable for both LOPL and LOFL detectors. If the BAW APLL loss-of-frequency lock is selected, then paired DPLL is monitored for LOPL only. The paired DPLL must be enabled for the digital monitoring of the BAW APLL VCBO lock detect.

The DPLL frequency lock detector clears the LOFL flag when the DPLL frequency error relative to the selected reference input is less than the lock ppm threshold. Otherwise, the lock detector sets the LOFL flag when the DPLL frequency error is greater than the unlock ppm threshold. The ppm delta between the lock and unlock thresholds provides hysteresis to prevent the LOFL flag from toggling when the DPLL frequency error is crossing these thresholds.

The BAW APLL frequency digital lock detector clears the LOFL flag when the VCBO frequency error relative to the XO reference input is less than the lock ppm threshold. Otherwise, the lock detector sets the LOFL flag when the VCBO frequency error is greater than the unlock ppm threshold. Make sure to take the ppm frequency tolerance of the XO input reference into account when setting the VCBO frequency lock and unlock thresholds. The ppm delta between the lock and unlock thresholds provides hysteresis to prevent the LOFL flag from toggling when the VCBO frequency error is crossing these thresholds.

A measurement accuracy (ppm) and averaging factor are used in computing the frequency lock detector register settings. A higher measurement accuracy (smaller ppm) or higher averaging factor increases the measurement delay to set or clear the LOFL flag. Higher averaging can be useful when locking to an input with high wander or when the PLL is configured with a narrow loop bandwidth. Note that higher averaging reduces the maximum frequency ppm thresholds that can be configured.

The DPLL phase lock detector clears the LOPL flag when the phase error of the DPLL is less than the phase lock threshold. Otherwise, the lock detector sets the LOPL flag when the phase error is greater than the phase unlock threshold.

Users can observe the APLL and DPLL lock detector flags through the status pins and the status bits.

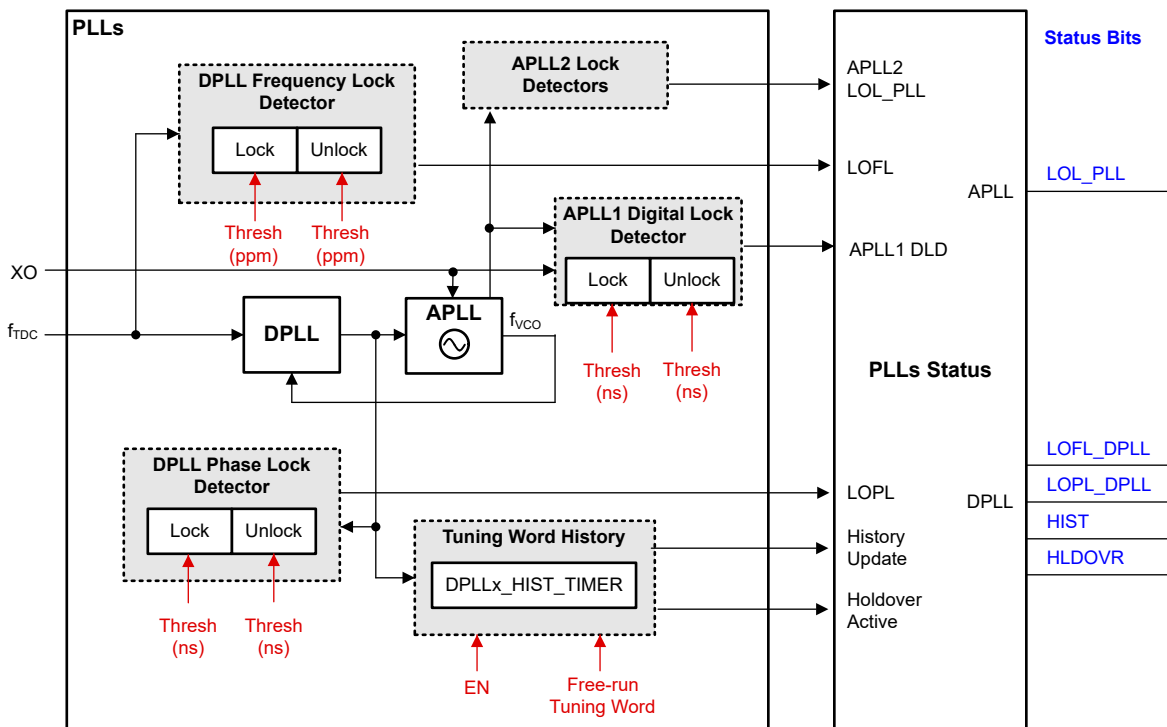


Figure 7-20. PLL Lock Detectors and History Monitor

### 7.3.7.4 Tuning Word History

The DPLL domain has a tuning word history monitor block that determines the initial output frequency accuracy upon entry into holdover. When in holdover, the stability of the reference clock (on XO input) determines the long-term stability and accuracy of the output frequency. The tuning word can be updated from one of three sources depending on the DPLL operating mode:

1. Locked Mode: from the output of the digital loop filter when locked
2. Holdover Mode: from the final output of the history monitor
3. Free Run Mode: from the free-run tuning word register (user defined)

When the history monitor is enabled and the DPLL is locked, the device averages the reference input frequency by accumulating history from the digital loop filter output during a programmable averaging time ( $T_{AVG}$ ) set by DPLLX\_HIST\_TIMER. When a valid reference input becomes invalid, the final tuning word value is stored to determine the initial holdover frequency accuracy. Generally, a longer  $T_{AVG}$  time produces a more accurate initial holdover frequency.

If the input reference clock fails and becomes invalid, the history data can be corrupted if the tuning word continues to update before the fail state is indicated by one of the reference input validation monitors. To avoid this scenario, any in progress accumulation is ignored and the recent history data is ignored. The most recent collected average data is discarded such that the actual history used is greater than  $T_{AVG}$  but less than  $2 \times T_{AVG}$ .

The tuning word history is initially cleared after a device hard reset or soft reset. After the DPLL locks to a new reference, the history monitor waits for the first  $T_{AVG}$  timer to expire before storing the first tuning word value and begins to accumulate history. The history monitor does not clear the previous history value during reference switchover or holdover exit. The history can be manually cleared or reset by toggling the history enable bit (DPLLX\_HIST\_EN = 1 → 0 → 1), if needed.

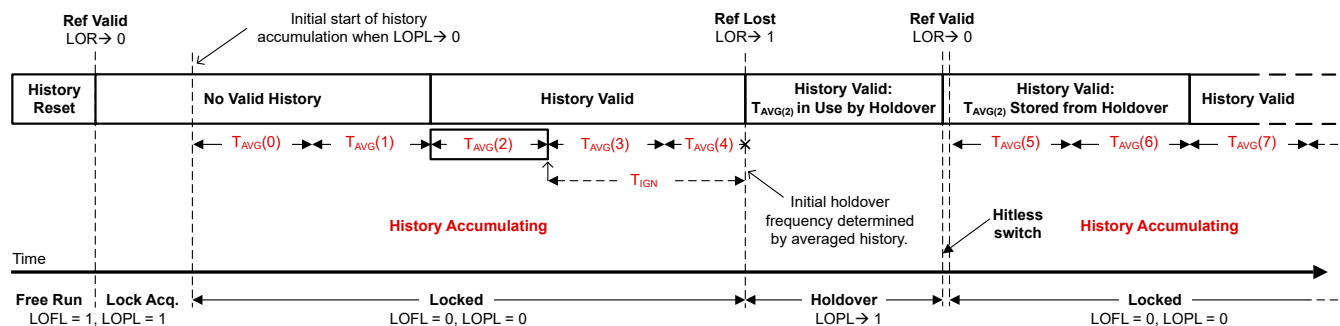


Figure 7-21. Tuning Word History Windows

When no tuning word history exists, the free-run tuning word value (DPLLX\_FREE\_RUN) is used and determines the initial holdover output frequency accuracy.

### 7.3.7.5 Status Outputs

The GPIO pins can be configured to output various status signals and interrupt flags for device diagnostic and debug purposes. The status signal, output driver type, and output polarity settings are programmable.

### 7.3.7.6 Interrupt

Any GPIO pin can be configured as a device interrupt output pin. The interrupt logic configuration is set through registers. When the interrupt logic is enabled, the interrupt output can be triggered from any combination of interrupt status indicators, including LOS for the XO, LOR for the selected DPLL input, LOL for APLL1, APLL2, and the DPLLs, and holdover and switchover events for the DPLLs. When the interrupt polarity is set high, a rising edge on the live status bit asserts the interrupt flag (sticky bit). Otherwise, when the polarity is set low, a falling edge on the live status bit asserts the interrupt flag. Any individual interrupt flag can be masked so the flag does not trigger the interrupt output. The unmasked interrupt flags are combined by the AND/OR gate to generate the interrupt output, which can be selected on either status pin.



When a system host detects an interrupt from the device, the host can read the interrupt flag or *sticky* registers to identify which bits are asserted to resolve the fault conditions in the system. After the system faults have been resolved, the host can clear the interrupt output by writing 1 to the self-clearing INT\_CLR field.

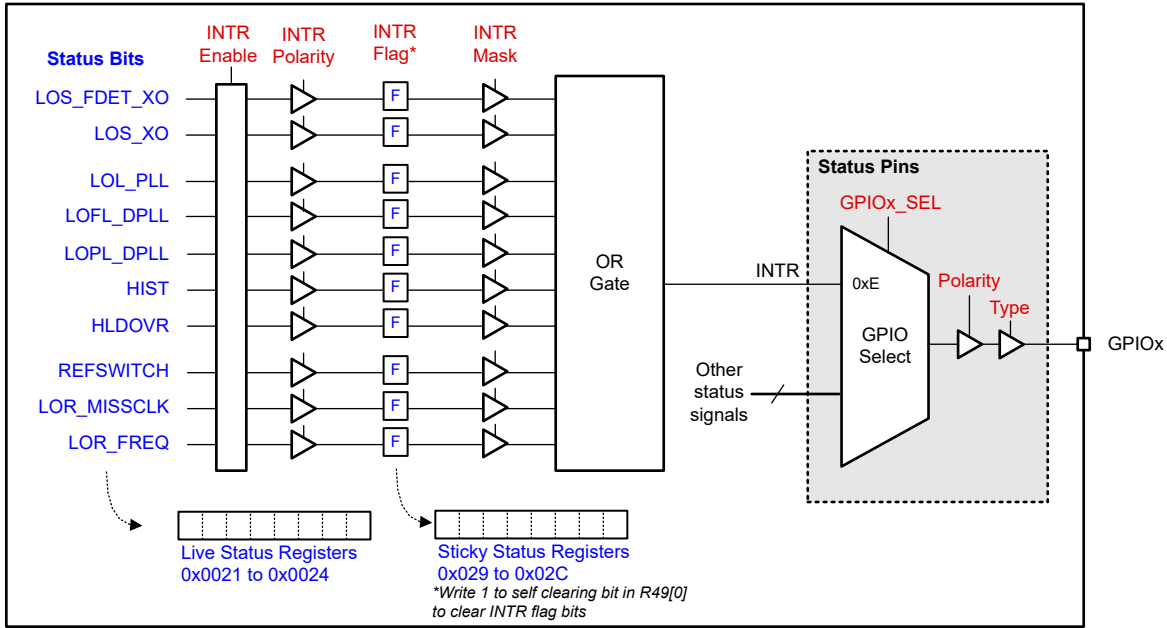


Figure 7-22. Status and Interrupt

### 7.3.8 PLL Relationships

Figure 7-23 shows the PLL architecture implemented in the LMK5C22212A. The PLLs can be configured in the different PLL modes described in Section 7.2.1.

When a DPLL combines with an APLL in a feedback loop, the APLL must use the fixed 40-bit denominator. When the APLL works in an independent loop, like APLL1 in Figure 7-6 or APLLs in Figure 7-7, TI recommends selecting the 24-bit programmable denominator.

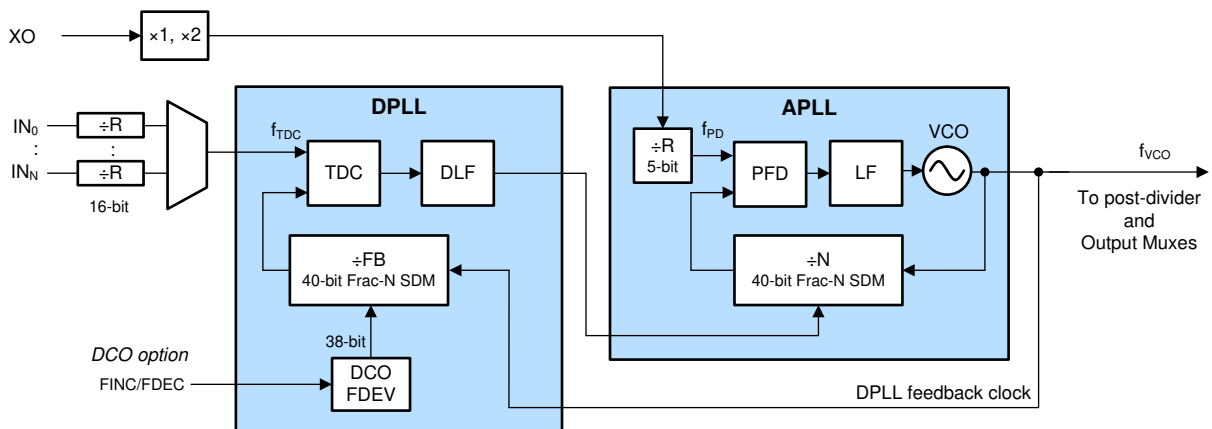


Figure 7-23. PLL Architecture



### 7.3.8.1 PLL Frequency Relationships

The following equations provide the APLL and DLL frequency relationships required to achieve closed-loop operation. The TICS Pro programming software can be used to generate valid divider settings based on the desired frequency plan.

Note that any divider in the following equations refers to the actual divide value (or range) and not the programmable register value.

When DPLL operation is enabled, the calculated DPLL frequency and APLL frequency must be nominally the same. The DPLL adjustments to the paired APLL N divider 40-bit fixed denominator tracks the selected input reference source to synthesize the actual clock output desired frequency and phase.

When the APLL operates independently from the paired DPLL, TI recommends the programmable 24-bit denominator for hybrid synchronization or cascading between frequency domains to maintain 0-ppm frequency error without DPLL control. In this scenario, the APLL tracks the cascade feedback divider reference from another APLL output.

When using ZDM for a PLL, the clock output divider must be accounted for in the VCO frequency calculations.

#### 7.3.8.1.1 APLL Phase Frequency Detector (PFD) and Charge Pump

[Equation 1](#) calculates the phase detector frequency which is used to find the VCO frequency in the APLL VCO Frequency calculation in [Equation 2](#).

$$f_{PD} = f_{XO} \times D_{XO} / R_{XO} \quad (1)$$

where

- $f_{PD}$ : APLL phase detector frequency
- $f_{XO}$ : APLL reference is XO frequency or cascaded reference frequency from another APLL.
- $D_{XO}$ : XO input doubler (1 = disabled, 2 = enabled)
- $R_{XO}$ : APLL XO Input R divider value (1 to 32)

APLL2 or APLL1 has programmable charge pump settings from 0mA to 5.8mA in 0.4mA steps. Best performance from APLL1 is achieved with a charge pump currents of 0.8mA or higher.

#### 7.3.8.1.2 APLL VCO Frequency

The APLL phase locks the APLL VCO to the APLL reference using the applied APLL numerator. Use [Equation 2](#) to calculate the VCO frequency.

$$f_{VCO} = f_{PD} \times (INT_{APLL} + NUM_{APLL} / DEN_{APLL}) \quad (2)$$

- $f_{VCO}$ : VCO frequency
- $f_{PD}$ : APLL phase detector frequency
- $INT_{APLL}$ : APLL N divider integer value (12 bits, 1 to  $2^{12} - 1$ )
- $NUM_{APLL}$ : APLL N divider numerator value (40 bits, 0 to  $2^{40} - 1$ , or 24 bits, 0 to  $2^{24} - 1$ )
- $DEN_{APLL}$ : APLL N divider denominator value (fixed  $2^{40}$ , or programmable 1 to  $2^{24}$ )
  - Avoid integer boundary spurs by keeping the NUM/DEN ratio away from an integer value.
  - $0.125 < NUM_{APLL} / DEN_{APLL} < 0.875$  (In DPLL Mode, avoid 0.5)

### 7.3.8.1.3 DPLL TDC Frequency

Equation 3 calculates the TDC frequency which is used to find the VCO frequency in the DPLL VCO Frequency calculation in Equation 5. Two different TDC frequencies are possible for each DPLL to enable switching between non-integer related frequencies while keeping the TDC rate high.

$$f_{TDC} = f_{INx} \times D_{INx} / R_{INx} \quad (3)$$

$$f_{TDC} = f_{INy} \times D_{INy} / R_{INy} \quad (4)$$

where

- $f_{TDC}$ : DPLL TDC input frequency (see Equation 3)
- $f_{INx}$  or  $f_{INy}$ : INx or INy input frequency or cascaded reference frequency from another APLL.
- $R_{INx}$  or  $R_{INy}$ : INx or INy R divider value (16 bits, 1 to  $2^{16} - 1$ )
- $D_{INx}$  or  $D_{INy}$ : INx or INy input doubler (2 = disabled and 1 = enabled)

### 7.3.8.1.4 DPLL VCO Frequency

The DPLL phase locks the APLL VCO to the DPLL VCO frequency by updating the actual APLL numerator value. Use Equation 5 to calculate the VCO frequency. Each DPLL can have two different values for DPLL N to allow locking to the same VCO frequency using two different TDC frequencies. DPLLx\_REF#\_FB\_SEL register selects which DPLL N value is used.

$$f_{VCO} = f_{TDC} \times (INT_{DPLL} + NUM_{DPLL} / DEN_{DPLL}) \quad (5)$$

where

- $INT_{DPLL}$ : DPLL FB divider integer value (33 bits, 1 to  $2^{33} - 1$ )
- $NUM_{DPLL}$ : DPLL FB divider numerator value (40 bits, 0 to  $2^{40} - 1$ )
- $DEN_{DPLL}$ : DPLL FB divider denominator value (40 bits, 1 to  $2^{40}$ )
- N:  $INT_{DPLL} + NUM_{DPLL} / DEN_{DPLL}$

### 7.3.8.1.5 Clock Output Frequency

Each APLL has a post divider which provides a VCO post divider frequency calculated in Equation 6 or Equation 7. The final output frequency is calculated by dividing from the VCO post divider frequency and the output divide as calculated in Equation 8. For each output, the output frequency depends on the selected APLL clock source and output divider value.

$$\text{APLL2 selected: } f_{POST\_DIV} = f_{VCO2} / P_{nAPLL2} \quad (6)$$

$$\text{APLL1 selected: } f_{POST\_DIV} = f_{VCO1} / P_{nAPLL1} \quad (7)$$

$$\text{OUT}[0:11]: f_{OUTx} = f_{POST\_DIV} / OD_{OUTx} \quad (8)$$

where

- $f_{POST\_DIV}$ : Output mux source frequency (APLL2 or APLL1 post-divider clock)
- $P_{nAPLL2}$ : APLL2 primary "P1" post-divide value (2 to 13) or secondary "P2" post-divide value (2 to 3)
- $P_{nAPLL1}$ : APLL1 post-divide value (1 to 8)
- $f_{OUTx}$ : Output clock frequency (x = 0 to 15)
- $OD_{OUTx}$ : OUTx output bypass or divider value. All outputs have a 12-bit divider with values 1 to  $(2^{12} - 1)$ . All outputs except OUT2 and OUT3 have the option to follow the 12-bit divider with a 20-bit SYSREF divider that can be used to produce 1PPS or other frequencies below 1Hz when the SYSREF output is set for continuous output.

### 7.3.8.2 Analog PLLs (APLL1, APLL2)

Each APLL has a 40-bit fractional-N divider to support high-resolution frequency synthesis and very low phase noise and jitter. Each APLL also has the ability to tune the VCO frequency through sigma-delta modulator (SDM)

control in DPLL mode. In cascaded mode, each APLL has the ability to lock the VCO frequency to another VCO frequency.

In free-run mode, the BAW APLL uses the XO input as an initial reference clock to the VCBO. The PFD of the BAW APLL compares the fractional-N divided clock with the reference clock and generates a control signal. The control signal is filtered by the BAW APLL loop filter to generate a control voltage to set the VCBO output frequency. The SDM modulates the N divider ratio to get the desired fractional ratio between the PFD input and the VCBO output. The other conventional APLL with the LC VCO operates similar to the VCBO. User can select the reference from either the VCBO clock or the XO clock.

In DPLL mode, the APLL fractional SDM is controlled by the DPLL loop to pull the VCO frequency into lock with the DPLL reference input. For example the *APLL Cascaded With DPLLs Disabled Example* shows the respective APLL2 deriving the reference from VCO1, then VCO2 is effectively locked to the DPLL1 reference input, assuming there is no synthesis error introduced by the fractional N divide ratio of APLL2.

### 7.3.8.3 APLL Reference Paths

#### 7.3.8.3.1 APLL XO Doubler

The APLL XO doubler can be enabled to double the PFD frequency for the APLL reference. Enabling the XO doubler adds minimal noise and can be useful to increase the PFD frequency to optimize phase noise, jitter, and fractional spurs. The flat portion of the APLL phase noise can improve when the PFD frequency is increased.

#### 7.3.8.3.2 APLL XO Reference (R) Divider

Each APLL has a 5-b XO reference (R) divider that can be used to meet the maximum APLL PFD frequency specification. The divider can also be used to verify the APLL fractional-N divide ratio (NUM/DEN) is between 0.125 to 0.875 (avoid 0.5), which is recommended to support the DPLL frequency tuning range. Otherwise, the R divider can be bypassed (divide by 1).

### 7.3.8.4 APLL Feedback Divider Paths

The VCO output of each APLL is fed back to the PFD block through the fractional feedback (N) divider. The VCO output is also fed back to the DPLL feedback path in DPLL mode. For hybrid synchronization or cascaded frequency domain architectures each VCO output also can source to the DPLL input reference selection muxes or as an XO input for other APLLs or through fixed feedback dividers.

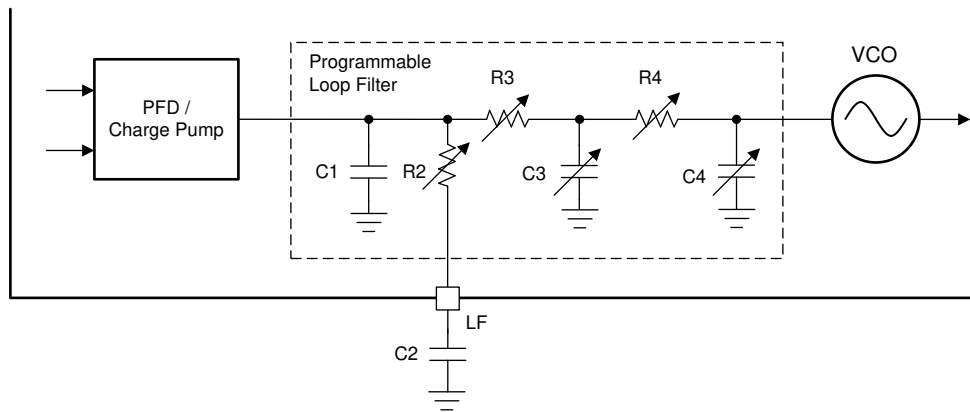
#### 7.3.8.4.1 APLL N Divider With Sigma-Delta Modulator (SDM)

The APLL fractional N divider includes a 12-b integer portion (INT), a 40-b numerator portion (NUM), a fixed 40-b or a programmable 24-b denominator portion (DEN), and an SDM. The INT and NUM are programmable. When an APLL works with a DPLL in a loop, the APLL uses a fixed 40-bit denominator for very high frequency resolution on the VCO clock. When the APLL works in an independent loop (the paired DPLL is disabled), TI recommends a 24-bit programmable denominator. The total APLL N divider value is:  $N = INT + NUM / 2^{40}$  or  $INT + NUM / 2^{24}$ .

In APLL free-run mode, the PFD frequency and total N divider for the APLL determine the VCO frequency, which can be computed with 24-b denominator by [Equation 2](#).

#### 7.3.8.5 APLL Loop Filters (LF1, LF2)

The APLL loop filter components can be programmed to optimize the APLL LBW depending on the phase noise of the XO input. The BAW APLL supports a programmable LBW from 100Hz to 10kHz (typical range) and the conventional LC APLL supports a programmable LBW from 100kHz to 1MHz (typical range). [Figure 7-24](#) shows the APLL loop filter structure between the PFD/charge pump output and VCO control input.



**Figure 7-24. Loop Filter Structure of Each APLL**

The BAW APLL is configured with a narrow LBW by default in TICSPRO and the ROM pages. As a result, the low jitter VCBO dominates the clock output phase noise in the carrier offset range from 8kHz to around 400kHz.

Using the default APLL loop filter settings listed in [Table 7-3](#), the LBW for each APLL is summarized in [Table 7-4](#).

**Table 7-3. Default APLL Charge Pump and Loop Filter Components**

| COMPONENT   | LOCATION                | TYPE         | DEFAULT VALUES FOR APLL2 | DEFAULT VALUES FOR APLL1 |
|-------------|-------------------------|--------------|--------------------------|--------------------------|
| Charge pump | Internal                | Programmable | 3.4mA                    | 2.0mA                    |
| C1          | Internal                | Fixed        | 100pF                    | 100pF                    |
| C2          | External <sup>(1)</sup> | Fixed        | 100nF                    | 470nF                    |
| C3          | Internal                | Programmable | 70pF                     | 70pF                     |
| C4          | Internal                | Programmable | 70pF                     | 70pF                     |
| R2          | Internal                | Programmable | 0.183kΩ                  | 0.301kΩ                  |
| R3          | Internal                | Programmable | 0.657kΩ                  | 5.5kΩ                    |
| R4          | Internal                | Programmable | 0.657kΩ                  | 5.5kΩ                    |

(1) The external capacitor is connected to the LFX pin of the corresponding APLLx.

**Table 7-4. Default APLL LBW (PFD = 96MHz)**

| APLL | VCO RANGE [MHz] | LBW [kHz] <sup>(1)</sup> |
|------|-----------------|--------------------------|
| 2    | 5600 to 5950    | 152.8 to 137.8           |
| 1    | 2500            | 4.9                      |

(1) The APLL LBW range corresponds to the VCO range, respectively.

### 7.3.8.6 APLL Voltage-Controlled Oscillators (VCO1, VCO2)

Each APLL contains a fully-integrated VCO, which takes the voltage from the loop filter and converts the voltage into a frequency.

VCO1 uses proprietary BAW resonator technology with a very high quality factor to deliver the lowest phase jitter and has a tuning range of 2457.6MHz ± 100ppm. VCO2 uses a high-performance LC VCO with a wider tuning range of 5595MHz to 5950MHz to cover other additional unrelated clock frequencies, if needed.

#### 7.3.8.6.1 VCO Calibration

Each APLL VCO must be calibrated to verify that the PLL can achieve lock and deliver optimal phase noise performance. VCO calibration establishes an optimal operating point within the VCO tuning range. VCO calibration is executed automatically during initial PLL start-up after device power-on, hard-reset, or soft-reset when the XO input is detected by the input monitor. To provide successful calibration and APLL lock, the XO

clock must be stable in amplitude and frequency before the start of calibration; otherwise, the calibration can fail and prevent PLL lock and output clock start-up. Before VCO calibration and APLL lock, the output drivers are typically held in the mute state (configurable per output) to prevent spurious output clocks.

A VCO calibration can be triggered manually for a single APLL by toggling a PLL enable cycle (APLLx\_EN bit = 0 → 1) through host programming. This can be needed after the APLL N divider value (VCO frequency) is changed dynamically through programming.

### 7.3.8.7 APLL VCO Clock Distribution Paths

Each APLL VCO post-divider supports an independently programmable divider.

APLL1 (BAW APLL) has one VCO post-divider paired with an optional divide by 2. The VCO1 post-divider is comprised of a programmable divide by 8 followed by an optional divide by 2. The APLL1 post-divider clock div8 (÷2 to ÷8) or div8 and div2 (÷10, ÷12, ÷14, ÷16) can be distributed to all 4 output banks in LMK5C22212A . If the system use case requires sourcing multiple frequencies from APLL1 that can not be supported from a single post-divider value, then bypass the VCO1 post-divider by setting VCO1 post-divider = 1 and program the individual channel dividers to obtain the desired output frequencies.

APLL2 (conventional APLL) has one VCO post-divider clock (P1: ÷2 to ÷13) available for distribution to all outputs.

### 7.3.8.8 DPLL Reference (R) Divider Paths

Each reference input clock has a dedicated 16-b reference divider to the DPLL TDC block. The R divider output of the selected reference sets the TDC input frequency. To support hitless switching between inputs with different frequencies, the R dividers can be used to divide the clocks to a single common frequency to the DPLL TDC input.

### 7.3.8.9 DPLL Time-to-Digital Converter (TDC)

The TDC input compares the phase of the R divider clock of the selected reference input and the DPLL feedback divider clock from VCO. The TDC output generates a digital correction word corresponding to the phase error which is processed by the DPLL loop filter.

### 7.3.8.10 DPLL Loop Filter (DLF)

The DPLL supports a programmable loop bandwidth from 10 mHz to 4 kHz and can achieve jitter peaking below 0.1 dB (typical). The low-pass jitter transfer characteristic of the DPLL attenuates the reference input noise with up to 60-dB/decade roll-off above the loop bandwidth.

The DPLL loop filter output controls the fractional numerator of APLL to steer the VCO frequency into lock with the selected DPLL reference input.

### 7.3.8.11 DPLL Feedback (FB) Divider Path

The DPLL feedback path has a programmable prescaler (33 bits, 1 to  $2^{33} - 1$ ) and a fractional feedback (FB) divider. The programmable DPLL FB divider includes a 33-b integer portion (INT), 40-b numerator portion (NUM), and 40-b denominator portion (DEN). The total DPLL FB divider value is:  $FB_{DPLL} = INT + NUM / DEN$ .

In DPLL mode, the TDC frequency and total DPLL feedback divider and prescalers determine the VCO frequency. Use [Equation 5](#) to calculate the VCO frequency.

## 7.3.9 Output Clock Distribution

The output clock distribution blocks include five output muxes, eight output dividers, and twelve programmable differential output drivers in the LMK5C22212A .

The output dividers support output synchronization (SYNC) to allow phase synchronization between two or more output channels. OUT0 and OUT10 have an optional internal ZDM synchronization feature to support deterministic input-to-output phase alignment (typically for 1PPS clocks) with programmable offset. See [Section 7.3.19](#).

### 7.3.10 Output Source Muxes

The LMK5C22212A employs 5 output source multiplexers or muxes to distribute frequency sources to the respective output banks. OUT0 and OUT1 each have a separate 4:1 mux to individually select a source. OUT2 and OUT3 output channels share one 2:1 mux. The output bank OUT4 to OUT7 also share one 2:1 mux and a third 2:1 mux is shared across the output bank OUT8 to OUT11.

The 4:1 MUX on OUT0 and OUT1 are the most flexible providing selection among APLL1 post divider, APLL2 post divider, buffered XO or reference input as a frequency source. The 2:1 muxes feeding the OUT2 and OUT3 bank or OUT4 to OUT7 bank or OUT8 to OUT11 bank can each select a frequency source from the APLL1 post divider or the APLL2 post divider.

Table 7-5 lists the available options for the output source mux.

**Table 7-5. Output Source Mux Options**

| OUTPUT SOURCE MUX OPTION | OUTPUTS WITH OPTION | DESCRIPTION   |
|--------------------------|---------------------|---|
| REFx                     | OUT0 to OUT1        | Output channel mux is sourced from the reference input selected by R48[4:0] (0x1 for REF0, 0x2 for REF1) when R78[5] is set to enable the reference path to OUT0_1. |
| XO                       | OUT0 to OUT1        | Output channel mux is sourced from the XO input.  |
| APLL1                    | OUT0 to OUT11       | Output channel mux is sourced from the APLL1 post-divider output.   |
| APLL2                    | OUT0 to OUT11       | Output channel mux is sourced from the APLL2 post-divider output.   |

### 7.3.11 Output Channel Muxes

After the output source mux, each output channel is sourced from the output channel mux. Table 7-6 lists the available options for the output channel mux.

**Table 7-6. Output Channel Mux Options**

| OUTPUT CHANNEL MUX OPTION | DESCRIPTION   |
|---------------------------|---|
| Bypass                    | Output clock is sourced directly from the APLL post-divider; the output channel divider is bypassed.  |
| CHDIV                     | Output clock is sourced from the output channel divider.  |
| CH / 2                    | Output clock is sourced from a divide by 2 channel.   |
| SYSREF                    | Output clock is sourced from the SYSREF divider.  |
| SYSREF + ADLY             | Output clock is sourced from the SYSREF divider with analog delay.  |
| Static DC                 | Output clock is static: OUTP is LOW and OUTN is HIGH.<br>Note: This state is different than the output enable bit (OUTx_EN) .<br>When the output is disabled (OUTx_EN = 0), the output channel is tristated (high impedance or Hi-Z). |

### 7.3.12 Output Dividers (OD)

There are one or more output dividers after each output source mux. Each channel in OUT[2:3] has an individual 12-bit channel divider. The OUT[4:5], OUT[6:7], OUT[8:9], OUT[10:11] channels each have an individual 12-bit output divider cascaded with an optional 20-bit SYSREF divider. The output dividers are used to generate the final clock output frequency from the source selected by the output mux.

The OUT0 or OUT1 channel combines a 12-bit output channel divider (CD) and a 20-bit SYSREF divider to support output frequencies from 1Hz (1PPS) to 1250MHz. From VCO to output, the total divide value is the product of the PLL post-divider (P), output channel divider (CD) and SYSREF divider (SD) values ( $P \times CD \times SD$ ).



For example, with the BAW APLL post-divider bypassed each 12-bit channel divider (CD) supports output frequencies from 100kHz to 1250MHz (or up to the maximum frequency supported by the configured output driver type). The SYSREF divider (SD) can be cascaded down to achieve lower clock frequencies down to 1Hz (1PPS).

Each output divider is powered from the same VDDO\_x supply used for the clock output drivers. The output divider can be powered down if not used to save power. For each output group in OUT[2:3], OUT[4:5], OUT[6:7], OUT[8:9], OUT[10:11] the output divider is automatically powered down when both output drivers are disabled. For the OUT0 or OUT1 channels, the output divider is automatically powered down when the output driver is disabled.

### 7.3.13 Output Delay

The LMK5C22212A has the ability to tune output clock phase with delay function. In each channel divider path, there is a programmable static offset digital delay. With the SYSREF divider selected, the output clock can have additional programmable static offset digital delay, SYSREF digital delay and analog delay.

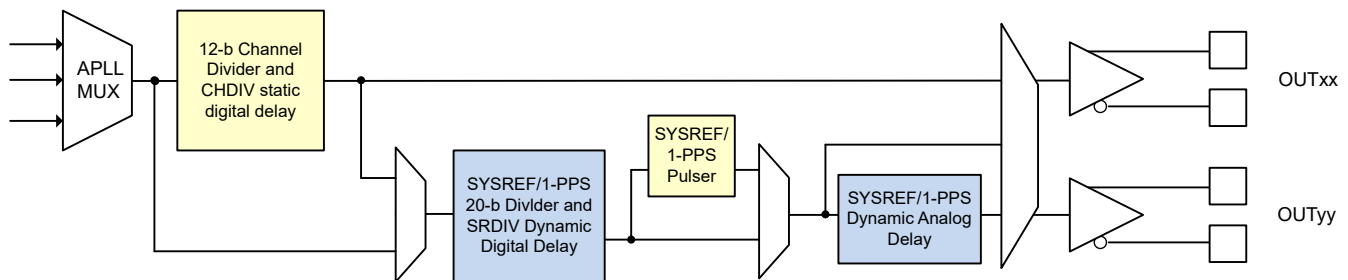


Figure 7-25. Programmable Static and Dynamic Output Delay

### 7.3.14 Clock Outputs

Each clock output (OUTx\_P and OUTx\_N) can be individually configured as a [Differential Output](#) driver. OUT0 or OUT1 has the additional capability for two 1.8V or 2.65V [LVCMOS Output](#) drivers per output pair. For additional low frequency single-ended clock outputs, GPIO1 and GPIO2 can be configured to replicate any [SYSREF/1PPS Output](#) divider output from another differential output pair.

Each output channel has a dedicated internal LDO regulator to provide excellent PSNR and minimize jitter and spurs induced by supply noise. For differential modes, the output clock specifications (such as output swing, phase noise, and jitter) are not sensitive to the VDDO\_x voltage because of the internal LDO regulator of the channel.

The OUT0 and OUT1 channels (mux, divider, and drivers) are powered through a single output supply pin (VDDO\_0\_1). Similarly, OUT2 and OUT3 channels are powered by VDDO\_2\_3, OUT4 to OUT7 by VDDO\_8\_TO\_11 and OUT8 to OUT11 by VDDO\_8\_TO\_11. Each output supply pin must always be powered by 3.3V even if the respective outputs are not used.

Unused clock outputs can be disabled to save power.

#### 7.3.14.1 Differential Output

The differential HSDS driver has programmable single-ended peak-to-peak amplitude ( $V_{OD}$ ) and common-mode voltage ( $V_{CM}$ ) settings. The  $V_{OD}$  ranges from 0.4V to 1V with a step size of roughly 100mV. There are three  $V_{CM}$  options available: S1, S2, S3, and S2 + S3. The HSDS driver can be AC-coupled for AC-LVPECL output clocks or other differential outputs. If there is an available  $V_{CM}$  setting that meets the receiver requirements, then the HSDS driver can be DC-coupled, such as for LVDS outputs.

The traditional HCSL output driver is PCIe compliant and requires 50Ω external termination. TI recommends placing the termination close to the receiver side.

Refer to [Table 7-7](#) for the recommended differential output options and the [Electrical Characteristics](#) for the voltage variation of the  $V_{OD}$  and  $V_{CM}$ .

**Table 7-7. Differential Output Options**

| DIFFERENTIAL DRIVER TYPE | V <sub>OD</sub> , TYP [mV] REGISTER SETTING | V <sub>CM</sub> , TYP [mV] | V <sub>CM</sub> REGISTER SETTING |
|--------------------------|---|----------------------------|----------------------------------|
| HSDS                     | 400   | 350                        | S1                               |
| HSDS                     | 400   | 700                        | S2                               |
| HSDS (LVDS)              | 400   | 1250                       | S3                               |
| HSDS                     | 500   | 400                        | S1                               |
| HSDS                     | 600   | 450                        | S1                               |
| HSDS                     | 600   | 800                        | S2 + S3                          |
| HSDS                     | 700   | 500                        | S1                               |
| HSDS                     | 700   | 900                        | S2 + S3                          |
| HSDS (AC-LVPECL)         | 800   | 550                        | S1                               |
| HSDS (AC-LVPECL)         | 800   | 1000                       | S2 + S3                          |
| HSDS (AC-LVPECL)         | 900   | 600                        | S1                               |
| HSDS (AC-LVPECL)         | 1000  | 650                        | S1                               |
| HCSL                     | 750   | 350                        | N/A                              |

### 7.3.14.2 LVCMOS Output

OUT0 and OUT1 have the additional capability for two 1.8V or 2.65V LVCMOS drivers per P and N output pair. Each LVCMOS output can be configured for normal polarity, inverted polarity, or disabled as Hi-Z or static low level. The LVCMOS output high level (V<sub>OH</sub>) is determined by the internal programmable LDO regulator voltage of 1.8V or 2.65V for rail-to-rail LVCMOS output voltage swing.

LVCMOS mode is recommended for ASIC or processor clocks which do not have stringent phase noise or jitter requirements. An LVCMOS output clock is an unbalanced signal with large voltage swing, therefore the clock can be a strong aggressor and couple noise onto other jitter-sensitive differential output clocks. If an LVCMOS clock is required from an output pair, configure the pair with both outputs enabled but with opposite polarity (+/- or -/+ ) and leave the unused output floating with no trace connected.

### 7.3.14.3 SYSREF/1PPS Output

The LMK5C22212A can support system reference clocks from 1PPS to 25MHz including JEDEC JESD204B or JESD204C SYSREF clocks. Any 12-bit output channel divider except OUT2/3 can be cascaded with an individual 20-bit SYSREF divider. Set flexible SYSREF divider values to generate the same SYSREF/1PPS frequency on multiple outputs or different frequency multiples of SYSREF/1PPS based on application requirements. When aligning multiple SYSREF outputs, TI recommends setting SYSREF\_REQ\_MODE 0x1A[5:4] = 11 for resampling of the SYSREF request. The SYSREF/1PPS can also be replicated on GPIO1 or GPIO2 if additional single ended outputs are needed. The SYSREF request sample source SYSREF\_REQ\_SEL 0x1A[3:2] must be set to the same source as desired for SYSREF/1PPS output replication.

The SYSREF divider output signals can be replicated on either GPIO1 and GPIO2 to provide additional single ended 3.3V CMOS clocks after start-up if desired. To configure the SYSREF/1PPS output replication the GPIO must be enabled as an output (GPIOx\_OUTEN = 1) and one of the SYSREF output to GPIO replication sources must be active. The SYSREF replication source comes from any one of the SYSREF dividers in use from OUT0/1, OUT4/5, OUT6/7, OUT8/9, OUT10/11 by register programming (OUT\_x\_y\_SR\_GPIO\_EN = 1). The GPIOx replicated SYSREF output is after static digital delay but before the analog and digital delay and pulser. The output is a continuous frequency as pulsed SYSREF mode is not supported for the GPIOx replica.

There is some small fixed delay skew between the normal SYSREF and GPIO replicated SYSREF. An LVCMOS output clock is an unbalanced signal with large voltage swing; therefore, the signal can strongly interfere and couple noise onto other jitter-sensitive differential output clocks.



### 7.3.15 Output Auto-Mute During LOL

Each output driver can automatically mute the clock when the selected output mux clock source is invalid, as configured by the MUTE enable field. The source can be invalid based on the LOL status of each PLL by configuring the APLL and DPLL mute control bits (MUTE\_APLLx\_LOCK, MUTE\_DPLLx\_LOCK, MUTE\_DPLLx\_PHLOCK). When auto-mute is disabled or bypassed (OUT\_x\_y\_MUTE\_EN = 0), the output clock can have incorrect frequency or be unstable before and during the VCO calibration.

### 7.3.16 Glitchless Output Clock Start-Up

When APLL auto-mute is enabled, the outputs starts up in synchronous fashion without clock glitches once APLL lock is achieved after any the following events: device power-on, exiting hard-reset, exiting soft-reset, or deasserting output SYNC.

### 7.3.17 Clock Output Interfacing and Termination

This section shows the recommended output termination. Unused clock outputs can be left floating and powered down by programming.

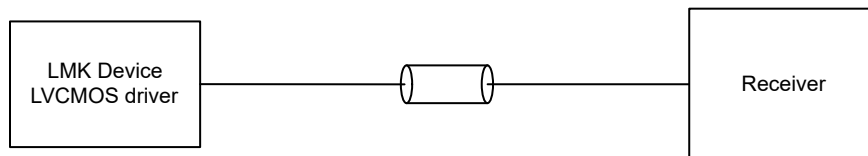


Figure 7-26. LVC MOS Output Termination

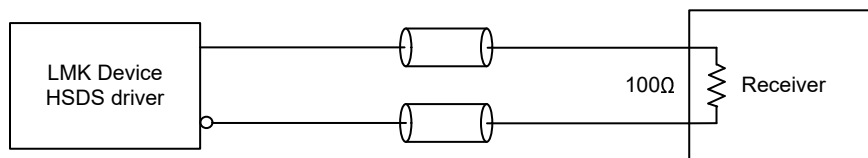


Figure 7-27. DC-Coupled HSDS/LVDS Output Termination

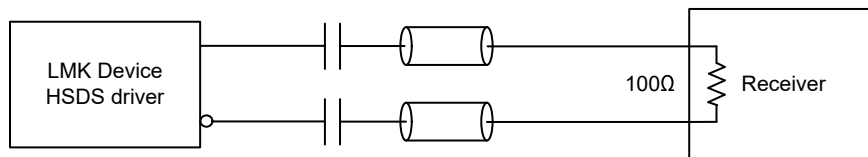


Figure 7-28. AC-Coupled HSDS Output Termination Method 1

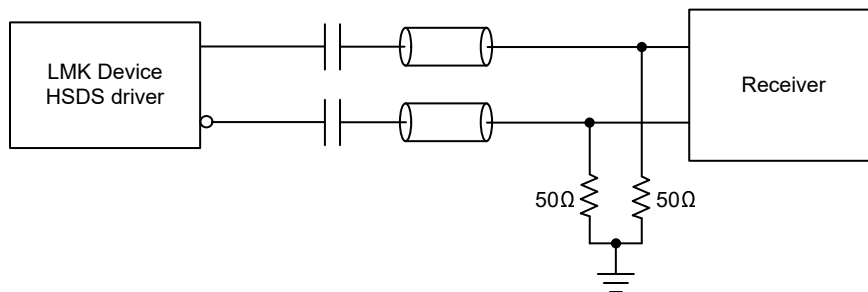


Figure 7-29. AC-Coupled HSDS Output Termination Method 2

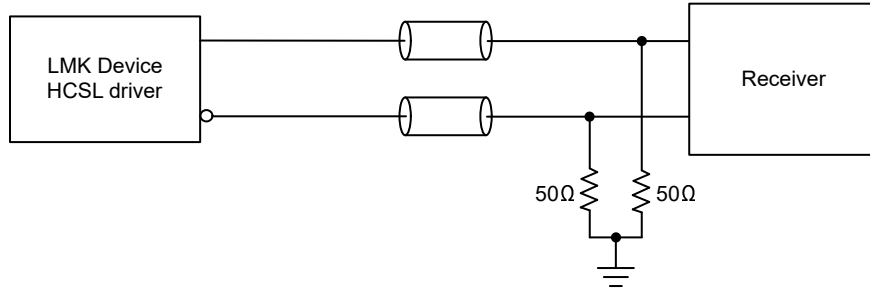


Figure 7-30. DC-Coupled HCSL Output Termination

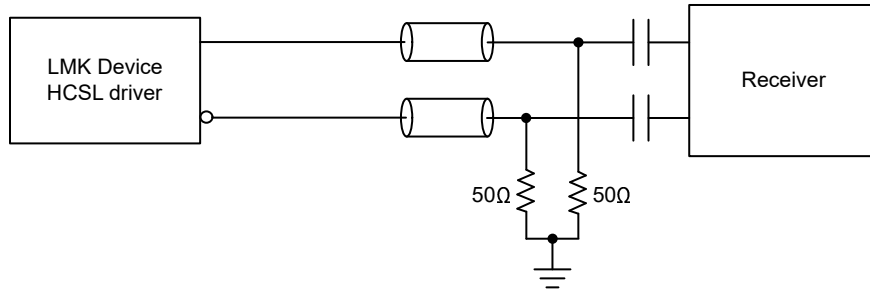


Figure 7-31. AC-Coupled HCSL Output Termination

### 7.3.18 Output Synchronization (SYNC)

Output SYNC can be used to phase-align two or more output clocks with a common rising edge by allowing the output dividers to exit reset on the same PLL output clock cycle. Any output dividers selecting the same PLL output can be synchronized together as a SYNC group by triggering a SYNC event through the hardware pin or software bit.

The following requirements must be met to establish a SYNC group for two or more output channels:

- Output dividers have the respective sync enable bit set (OUT\_x\_y\_DIV\_SYNC\_EN = 1)
- SYSREF dividers have the additional respective sync enable bit set (OUT\_x\_y\_SR\_DIV\_SYNC\_EN = 1), work with above set (OUT\_x\_y\_DIV\_SYNC\_EN = 1)
- Output dividers have the output mux selecting the same PLL output
- The PLL (post-divider) output has the sync enable bit set (for example, PLL1\_PRI\_DIV\_SYNC\_EN = 1)
- SYNC\_EN = 1

A SYNC event can be asserted by either a GPIOx pin programmed for SYNC input with GPIOx\_MODE = 31 or the SYNC\_SW register bit (active high). When SYNC is asserted, the SYNC-enabled dividers are held in reset and clock outputs are low. When SYNC is deasserted, the outputs from a common PLL starts with the initial clock phases synchronized or aligned. SYNC can also be used to set a low state on any SYNC-enabled outputs to prevent output clocks from being distributed to downstream devices until the receiver inputs are configured and ready to accept the incoming clock.

Output channels with the sync disabled (OUT\_x\_y\_DIV\_SYNC\_EN = 0) is not affected by a SYNC event and continues normal output operation as configured. VCO post-divider clocks must be enabled for synchronization to verify that the driven dividers are synchronized accurately. However, any output deriving a clock from a reset VCO post-divider is not valid during SYNC, even if the channel divider is not selected for SYNC. VCO post-dividers not selected for synchronization do not stop running during the SYNC so the post-dividers can continue to source output channels that do not require synchronization. Output dividers with divide-by-1 (divider bypass mode) are not gated during the SYNC event.

**Table 7-8. Output Synchronization**

| GPIOx as SYNC PIN<br>GPIOx_MODE = 31 |               | SYNC_SW<br>R21[6] | OUTPUT DIVIDER AND DRIVER STATE                      |
|--------------------------------------|---------------|-------------------|--|
| GPIOx_POL = 0                        | GPIOx_POL = 1 |                   |  |
| 1                                    | 0             | 1                 | Output drivers muted and output dividers reset       |
| 1 → 0                                | 0 → 1         | 1 → 0             | SYNCed outputs are released with synchronized phase  |
| 0                                    | 1             | 0                 | Normal output driver/divider operation as configured |

### 7.3.19 Zero-Delay Mode (ZDM)

The DPLL supports an internal ZDM synchronization option to achieve a known and deterministic phase relationship between the selected DPLL reference input and OUT0, OUT4, or OUT10 clock depending on configuration and selected DPLL for ZDM.

With ZDM enabled, users can attain *zero* phase delay between the selected DPLL reference input clock and the selected zero-delay feedback clock. [Figure 7-32](#) shows how the OUT0 clock can internally feedback to any DPLL as the zero-delay output clock. ZDM is primarily implemented to achieve deterministic phase relationship between an input and selected outputs such as 1PPS input to 1PPS outputs or 156.25MHz input to 156.25MHz outputs.

There is no need to route external clock signals from output to input as the zero-delay feedback clock from OUT0 is routed internally to the device. OUT4 can be used for DPLL2 internal ZDM feedback .

1PPS phase alignment is able to re-establish with the phase slew control and ZDM. The phase slew control can reduce the phase build-out back to 0 at a controlled rate. To lock to a 1PPS signal using ZDM mode, the output static delay or DPLLx\_PH\_OFFSET can be programmed to zero out the phase error between the 1PPS input and 1PPS feedback clock. Hitless switching must be disabled when ZDM is used for 1PPS.

See [DPLL Programmable Phase Delay](#) for an example of how input to output phase error in the DPLLx\_PH\_OFFSET field is calculated to apply fine adjustments less than 1 ps.

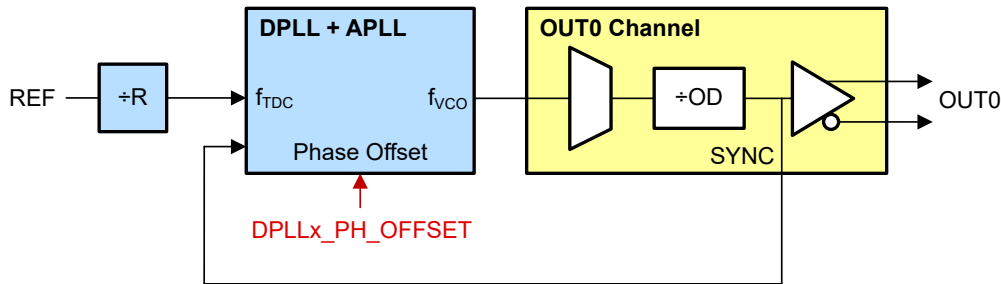


Figure 7-32. DPLL ZDM Synchronization Between Reference Input and OUT0

### 7.3.20 DPLL Programmable Phase Delay

Users can write to the DPLLx\_PH\_OFFSET[44:0] register fields to adjust the DPLL phase offset. The phase offset is a signed 2's complement value with a default setting of 0 and offsets the phase relationship of the feedback clock to reference clock at the TDC. The phase adjustment is common to all outputs derived from the DPLLx synchronization domain. DPLLx\_PH\_OFFSET adjustments occur in one direction. To shift in the negative direction, subtract the desired time offset from the period of the output clock to get the new phase offset.

[Equation 9](#) and [Equation 10](#) show the formulas to compute the DPLLx\_PH\_OFFSET field value to vary the output phase in fine adjustment steps. DPLLx\_PH\_OFFSET is related to the APLLx VCO period with a scaling factor for decimation and digital gain.

$$\text{DPLLx\_PH\_OFFSET} = 2 \times \text{DESIRED\_TIME\_OFFSET} \times f_{\text{VCOx}} \times \text{SCALING}_{\text{DEC}} \quad (9)$$

$$\text{SCALING}_{\text{DEC}} = \text{DPLLx\_PARAM\_B} \times (\text{DPLLx\_PARAM\_C} + 1) \times 2^{32 - \text{DPLLx\_PARAM\_A}} \quad (10)$$

where

- DPLLx\_PH\_OFFSET: Programmable register value adjusting DPLL output phase
- DESIRED\_TIME\_OFFSET: Desired DPLL phase adjustment (in seconds)
- $f_{\text{VCOx}}$ : VCOx frequency
- SCALING<sub>DEC</sub>: Scaling factor accounting for decimation and digital gain parameters
- DPLLx\_PARAM\_A/B/C: DPLL decimation and gain parameters. For DPLLx\_PARAM\_A, use a value of 32 in the equation if the register readback value is 0.

For example, if the user wants to introduce a phase offset of +1ns into DPLL2, use the following settings:

- DESIRED\_TIME\_OFFSET = +1ns
- $f_{\text{VCOx}}$  = 2500MHz
- SCALING<sub>DEC</sub> =  $584 \times (7 + 1) \times 2^{32 - 32} = 4672$
- DPLL1\_PH\_OFFSET =  $2 \times 1\text{e-}9 \times 2500\text{e}6 \times 4672 = 23360$

Alternatively, to apply a phase shift in the other direction, such as -1ns to a 25MHz output clock, use the following settings:

- DESIRED\_TIME\_OFFSET = 40ns - 1ns = 39ns  
– 40ns is the period of the output clock (25MHz).
- $f_{\text{VCOx}}$  = 2500MHz
- SCALING<sub>DEC</sub> = 4672
- DPLL1\_PH\_OFFSET =  $2 \times 39\text{e-}9 \times 2500\text{e}6 \times 4672 = 911040$

The DPLL parameters of a given configuration can be readback by accessing the registers listed in [Table 7-9](#).

**Table 7-9. DPLL Phase Offset Registers**

| FIELD NAME      | REGISTER ADDRESS<br>(HIGH BYTE TO LOW BYTE) |
|-----------------|---|
| DPLL1_PH_OFFSET | R550, R551, R552, R553, R554, R555          |
| DPLL1_PARAM_A   | R567  |
| DPLL1_PARAM_B   | R548, R549                                  |
| DPLL1_PARAM_C   | R566  |
| DPLL2_PH_OFFSET | R400, R401, R402, R403, R404, R405          |
| DPLL2_PARAM_A   | R417  |
| DPLL2_PARAM_B   | R398, R399                                  |
| DPLL2_PARAM_C   | R416  |
| DPLL1_PH_OFFSET | R250, R251, R252, R253, R254, R255          |
| DPLL1_PARAM_A   | R267  |
| DPLL1_PARAM_B   | R248, R249                                  |
| DPLL1_PARAM_C   | R266  |

### 7.3.21 Time Elapsed Counter (TEC)

The Time Elapsed Counter (TEC) allows the user to make a precise time measurement between two (or more) events. The events can be either a rising or falling edge of a GPIO pin or a falling edge of the SPI SCS pin. Any GPIO pin can be programmed for TEC input. Rising or falling polarity can be selected using the GPIO polarity invert register. After each TEC event, the counter values is captured and the application can read back a 40-bit value. The elapsed time is calculated based on the difference in the read back values. The accuracy of the measurement is better than 7.5ns with a total measurement time over 59 minutes depending on exact configuration. Reading back at least the LSB of the TEC\_CNTR is necessary to re-arm the TEC counter capture.

The TEC counter is clocked at a frequency based on APLL1 VCO frequency ÷8 or PLL2 VCO frequency ÷ 20. A time measurement is performed using the following steps.

1. Reset the TEC counter value. Recommended to reduce chance of counter roll-over between TEC capture events, but optional. If the reset is not done, the user needs to detect roll-over of counter register which complicate [Equation 11](#) for elapsed time calculation.
2. Trigger TEC capture event and read back the TEC registers containing the stored counter value.
3. Trigger the TEC capture event a second time and read back the TEC registers containing the stored counter value.
4. Use [Equation 11](#) to calculate the elapsed time. The worst-case error is twice the TEC counter clock period. [Table 7-10](#) lists some common TEC clock frequencies/periods and roll-over times.

$$\text{Elapsed Time} = (2\text{nd captured TEC value} - 1\text{st captured TEC value}) / \text{TEC Clock Rate} \quad (11)$$

The TEC\_CNTR register is split across five registers.

**Table 7-10. Common TEC Clock Frequencies and Roll-Over Times**

| PLL SOURCE | VCO FREQUENCY | TEC CLOCK FREQUENCY | TEC CLOCK PERIOD (t) | ROLL-OVER TIME |
|------------|---------------|---------------------|----------------------|----------------|
| PLL1       | 2457.6MHz     | 307.2MHz            | ≈3.225ns             | ≈59.6 minutes  |
| PLL2       | 5950MHz       | 297.5MHz            | ≈3.361ns             | ≈61.6 minutes  |
| PLL2       | 5898.24MHz    | 294.912MHz          | ≈3.391ns             | ≈62.1 minutes  |
| PLL2       | 5625MHz       | 281.25MHz           | ≈3.556ns             | ≈65.1 minutes  |
| PLL2       | 5600MHz       | 280MHz              | ≈3.571ns             | ≈65.4 minutes  |

**Figure 7-33. TEC Clock and Counter**

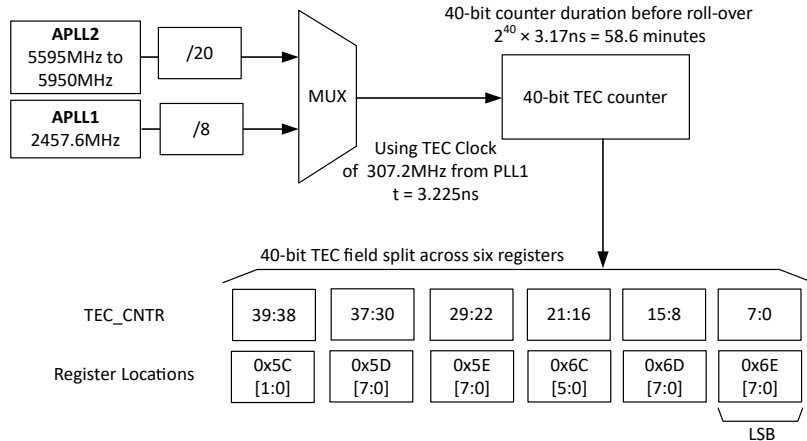


Figure 7-34 illustrates the states of the Time Elapsed Counter function.

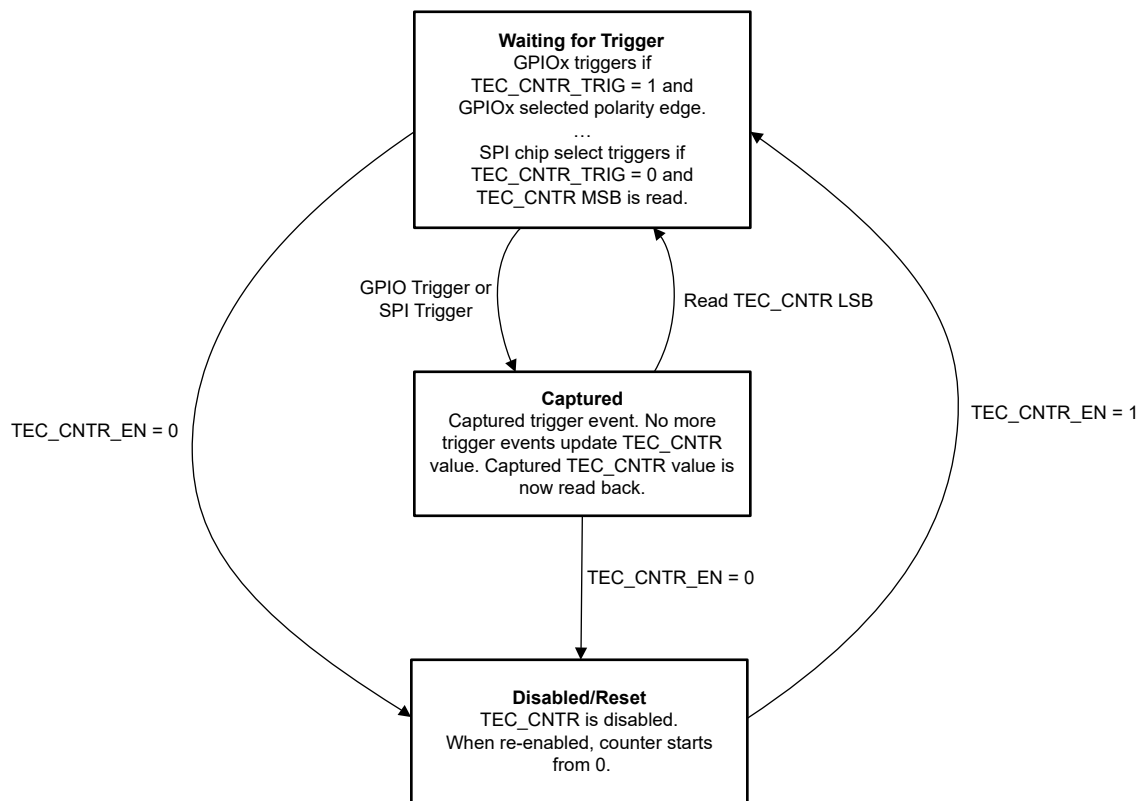


Figure 7-34. State Diagram of TEC

### 7.3.21.1 Configuring TEC Functionality

- Select the PLL to drive the Time Elapsed Counter (TEC). The BAW APLL offers the highest accuracy time measurement due to the highest TEC clock frequency, however, the conventional APLL (LC VCO) provides slightly longer roll-over times.
  - The BAW APLL source is selected by setting REF0\_MISSCLK\_VCOSEL to 0.
  - The conventional APLL source is selected by setting REF0\_MISSCLK\_VCOSEL to 1.
- Select GPIO or SPI chip select as a trigger to capture the TEC counter value to TEC\_CNTR field. Using a GPIO does not require any special timing for the SPI SCS pin. Using the GPIO pin for other purposes is possible, enable the TEC functionality when required.

- GPIO trigger is selected by setting TEC\_CNTR\_TRIG to 1.
  - SPI chip select trigger is selected by setting TEC\_CNTR\_TRIG to 0.
3. Enable the TEC counter by setting TEC\_CNTR\_EN to 1.

### 7.3.21.2 SPI as a Trigger Source

When TEC\_CNTR\_EN = 1, each SCS falling edge the TEC counter is captured to the TEC\_CNTR field. Subsequent to a SPI transaction which reads from the MSB of the TEC\_CNTR field, no falling edge of SCS captures the TEC counter to the TEC\_CNTR field until the LSB of the TEC\_CNTR field is read.

Figure 7-35 shows when the TEC is latched during single register reads and Figure 7-36 for a multibyte read.

Figure 7-35 shows that the TEC counter is captured every falling SCS edge until TEC\_CNTR MSB is read.

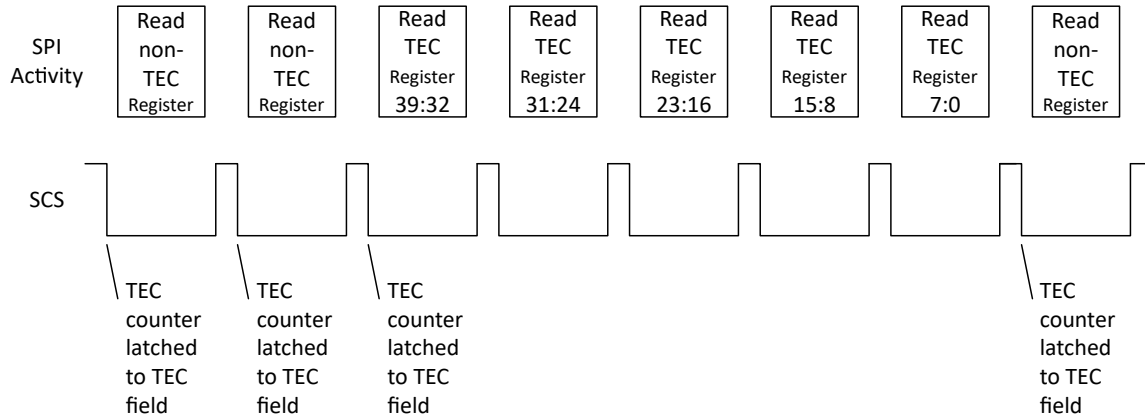


Figure 7-35. TEC Single Byte Read

Figure 7-36 shows that the TEC counter value can be captured and re-armed for capture during a single multibyte read, even if the first register read is not the TEC\_CNTR registers.

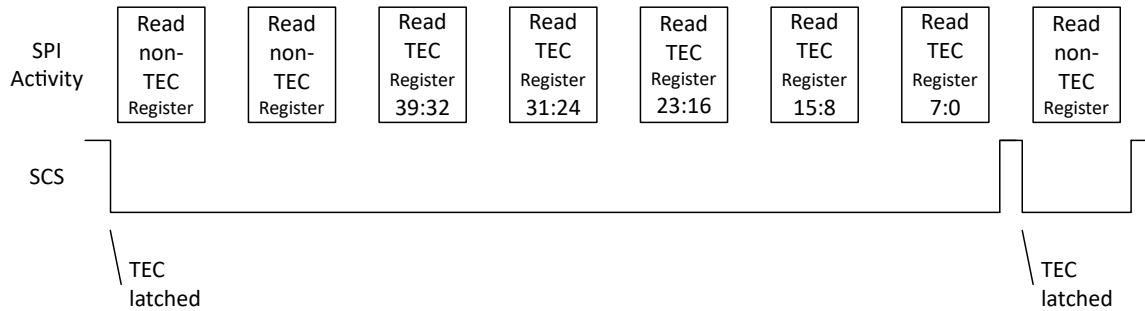
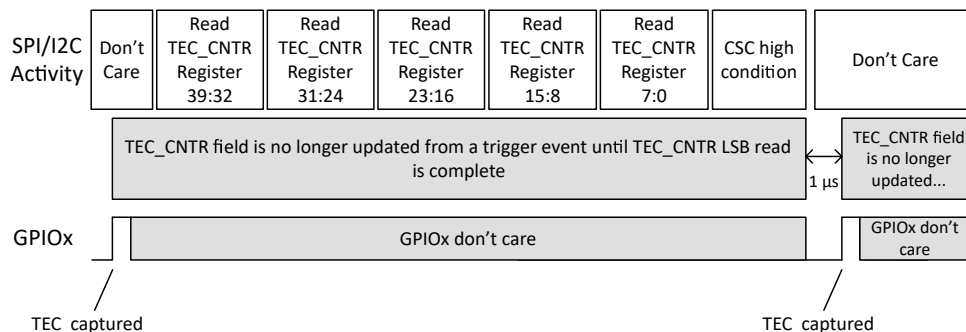


Figure 7-36. TEC Multibyte Read

### 7.3.21.3 GPIO Pin as a TEC Trigger Source

A rising edge of a GPIO pin selected for TEC functionality with GPIOx\_MODE = 0x27 (TEC\_TRIG\_SEL) captures the TEC value to the TEC\_CNTR field upon an edge of the selected polarity (GPIOx\_POL). No further updates to the TEC\_CNTR field is made by subsequent GPIOx pin edges until the LSB of the TEC\_CNTR field is read. Figure 7-37 shows the timing of using a GPIO to capture TEC values.



**Figure 7-37. TEC Captured Using GPIO**

#### 7.3.21.3.1 An Example: Making a Time Elapsed Measurement Using TEC and GPIO1 as Trigger

- Configure TEC registers as desired. In this example:
  - REF0\_MISSCLK\_VCOSEL is 0 so that VCBO frequency / 8 is used for TEC clock rate
  - TEC\_CNTR\_TRIG = 1 for GPIO1 trigger
  - TEC\_CNTR\_CLR = 0 for normal operation
- Set GPIO1\_MODE = 0x27 (TEC\_TRIG\_SEL) and GPIO1\_POL as desired, 0 in this example for active high input.
- Provide rising edge on GPIO1 to capture current TEC counter value into the TEC\_CNTR field.
- Read and store the TEC\_CNTR field for the first time.
  - Example: 1st\_captured\_TEC\_value = 204 354.
- Provide rising edge on GPIO1.
- Read and store the TEC\_CNTR field for the second time.
  - Example: 2nd\_captured\_TEC\_value = 76 516 568
- Calculate time delta using equation #1 with TEC clock rate of 307.2 MHz.
  - $248.412\ 155\ \text{ms} = (76\ 516\ 568 - 204\ 354) / 307.2\ \text{MHz}$
  - Because the TEC clock rate is 307.2 MHz, the accuracy of the measurement is  $\pm 3.26\ \text{ns}$ .

#### 7.3.21.4 Other TEC Behavior

The TEC counter continually counts up and periodically rolls over from  $2^{40} - 1$  to 0.

- The user software must determine if the counter has rolled over in between TEC reads. TI recommends resetting the TEC counter accordingly by toggling the TEC\_CNTR\_EN bit before a prospective starting trigger event, if known.

The REF0\_MISSCLK\_VCOSEL field also selects which VCO is used by all inputs for the early and missing reference clock validation, therefore the early and missing input validation registers can need to be re-calculated if REF0\_MISSCLK\_VCOSEL is changed. Changing REF0\_MISSCLK\_VCOSEL or validation calculations during operation can result in references using the missing pulse or both missing and runt pulse detectors to be momentarily disqualified and send the DPLL into holdover.

While TEC\_CNTR\_EN = 0, the TEC counter is held in reset, which is counter value 0. Performing an absolute time measurement from the moment that TEC\_CNTR\_EN transitions from 0 to 1 to a future trigger event is also possible. However the accuracy of this measurement is less than performing a relative measurement caused by two GPIO or two SPI CSC triggers.



## 7.4 Device Functional Modes

### 7.4.1 DPLL Operating States

The following sections describe the DPLL states of operation shown in Figure 7-38. The diagram assumes that holdover is enabled.

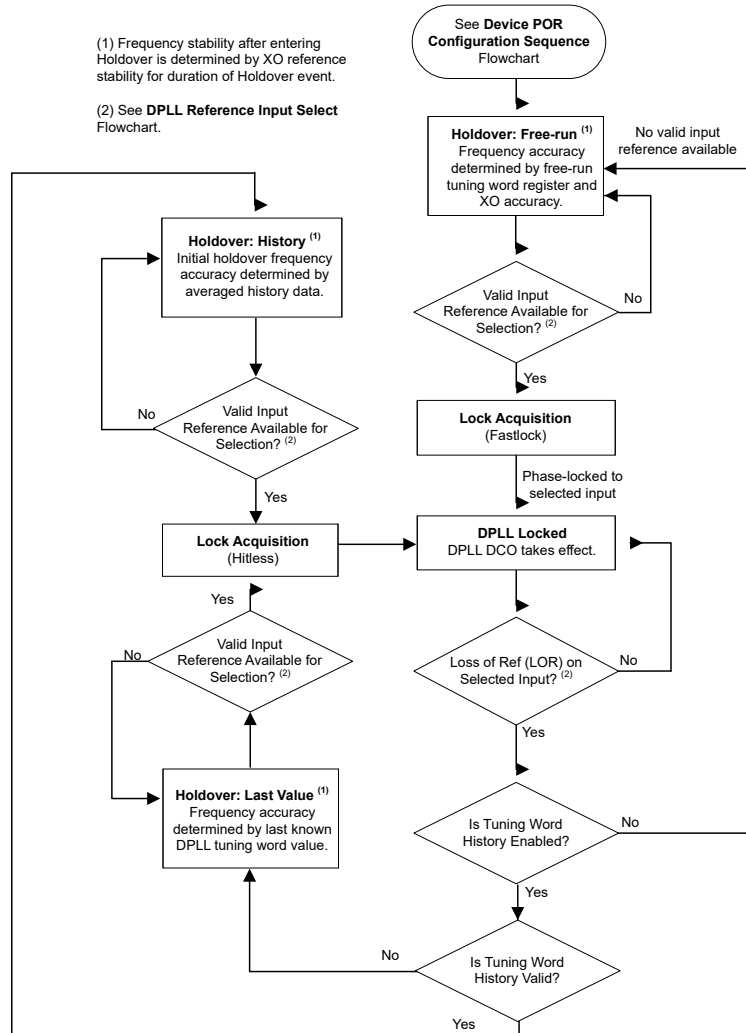


Figure 7-38. DPLL Operating States

#### 7.4.1.1 Free-Run

After device POR configuration and initialization, APPLL automatically locks to the XO clock when the XO input signal is valid. The output clock frequency accuracy and stability in free-run mode track the frequency accuracy and stability of the XO input. The reference inputs remain invalid (unqualified) during free-run mode. If the DPLL has locked, but not yet accumulated a valid history word and the reference is lost, then Free-Run is entered.

#### 7.4.1.2 Lock Acquisition

The DPLL constantly monitors the reference inputs for a valid input clock. When at least one valid input clock is detected, the PLL channel exits free-run mode or holdover mode and initiate lock acquisition through the DPLL. The LMK5C22212A supports the Fastlock feature where the DPLL temporarily engages a wider loop bandwidth to reduce the lock time. When the lock acquisition is done, the loop bandwidth is set to the normal configured loop bandwidth setting ( $BW_{DPLL}$ ).

### 7.4.1.3 DPLL Locked

When the DPLL locks, the APLL output clocks are frequency and phase locked to the selected DPLL reference input clock. While the DPLL is locked, the APLL output clocks is not affected by frequency drift on the XO input. The DPLL has a programmable frequency lock detector and phase lock detectors to indicate loss-of-frequency lock (LOFL) and loss-of-phase lock (LOPL) status flags, which can be observed through the status pins or status bits. When the frequency lock is detected (LOFL  $\rightarrow$  0), the tuning word history monitor (if enabled) begins to accumulate historical averaging data used to determine the initial output frequency accuracy upon entry into holdover mode.

### 7.4.1.4 Holdover

When a loss-of-reference (LOR) condition is detected and no valid input is available the DPLL enters holdover.

If history is disabled (DPLLx\_HIST\_EN = 0) the DPLL uses the 2's complement DPLLx\_FREE\_RUN[39:0] field which sets holdover frequency relative to the DPLL numerator. Short-term frequency accuracy is based on the accuracy of the DPLLx\_FREE\_RUN field.

If history is enabled (DPLLx\_HIST\_EN = 1) but the tuning history is not yet valid, then the DPLLx\_FREE\_RUN field is used as if DPLLx\_HIST\_EN is disabled. If the tuning history is valid, the DPLL enters holdover using historical data to minimize holdover frequency error. See [Tuning Word History](#). In general, the longer the historical average time, the more accurate the initial holdover frequency assuming the 0-ppm reference clock (XO input) is drift-free. The stability of the XO reference clock determines the long-term stability and accuracy of the holdover output frequency.

Upon entry into holdover, the LOPL flag is asserted (LOPL  $\rightarrow$  1). The LOFL flag reports DPLL frequency versus reference frequency is in tolerance. In holdover LOFL remains unchanged in holdover and not update until a valid reference is once again selected.

When a valid input becomes available for selection, the DPLL exits holdover mode and automatically phase lock with the new input clock without any output glitches.

## 7.4.2 Digitally-Controlled Oscillator (DCO) Frequency and Phase Adjustment

To support IEEE 1588 and other clock steering applications, the DPLL supports DCO mode to allow precise output clock frequency adjustment of less than 0.001 ppb/step. DCO can be implemented using DPLL DCO control or APLL DCO control. While the DPLL is operating in closed-loop mode, DPLL DCO modifies the effective DPLL numerator. While the DPLL is in holdover or not used, APLL DCO adjusts the effective APLL numerator.

### 7.4.2.1 DPLL DCO Control

DCO mode can be enabled (DPLLx\_FB\_FDEV\_EN = 1) when the DPLL is locked.

There are three methods to steer frequency when using the DPLL DCO.

- Register relative adjustment
  - Preset the deviation amount in DPLL\_FDEV
  - Write an 8-bit register to enable increment/decrement by the deviation amount
- GPIO relative adjustment
  - Step/Direction GPIOx trigger
  - Adjust DPLLx\_FB\_NUM by programming a deviation amount for each step in pin set direction.
- Register absolute adjustment
  - Write the DPLLx\_FB\_NUM [39:0] based on the frequency control word (FCW)

The DCO frequency step size can be programmed through a 38-bit frequency deviation word register (DPLL\_FDEV bits). The DPLL\_FDEV value is an offset added to or subtracted from the current numerator value of the DPLL fractional feedback divider and determines the DCO frequency offset at the VCO output.

The DCO frequency increment (FINC) or frequency decrement (FDEC) updates can be controlled through software control (DPLLx\_FB\_FDEV\_UPDATE) or user selectable pin control (GPIOx). DCO updates through

software control are always available through I<sup>2</sup>C or SPI by writing to the DPLLx\_FB\_FDEV\_UPDATE register bit. Writing a 0 increments the DCO frequency by the programmed step size, and writing a 1 decrements the DCO frequency by the step size. SPI can achieve faster DCO update rates than I<sup>2</sup>C because the SPI has faster write speed.

When DPLL pin control is selected (FDEV\_TRIG\_DPLLx and FDEV\_DIR\_DPLLx on GPIOs), a rising edge on the GPIO pin defined in FDEV\_TRIG\_DPLLx applies a corresponding DCO update to the DPLL, another GPIO defined in FDEV\_DIR\_DPLLx determines the direction of the FDEV trigger. FDEV\_DIR\_DPLLx = 0 means positive, FDEV\_DIR\_DPLLx = 1 means negative. In this way, the GPIO pins functions as the FINC or FDEC input. The minimum positive pulse width applied to the trigger pins must be greater than 100 ns to be captured by the internal sampling clock. The DCO update rate must be limited to less than 5 MHz when using pin control.

When DCO control is disabled (DPLLx\_FB\_FDEV\_EN = 0), the DCO frequency offset is cleared and the VCO output frequency is determined by the original numerator value of the DPLL fractional feedback divider.

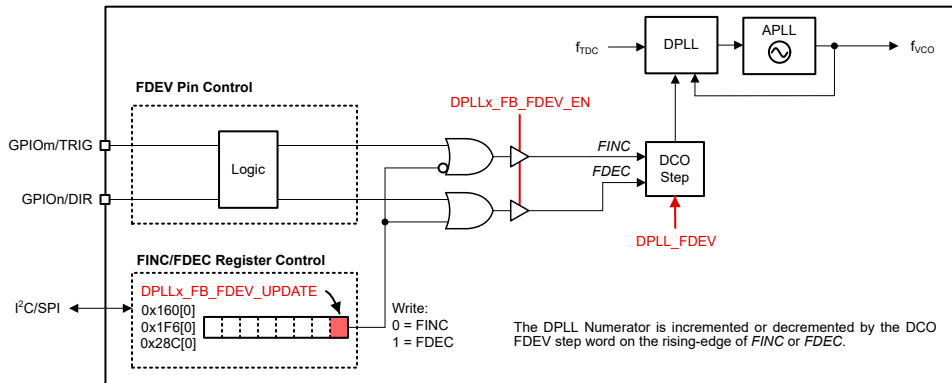


Figure 7-39. DCO Mode Control Options

#### 7.4.2.2 DPLL DCO Relative Adjustment Frequency Step Size

Equation 12 shows the formula to compute the DPLLx\_FB\_FDEV register value required to meet the specified DCO frequency step size in ppb (part-per-billion) when DCO mode is enabled for the DPLL.

$$DPLLx\_FB\_FDEV = (Reqd\_ppb / 10^9) \times DPLL\_DEN \times f_{VCOx} / f_{TDCx} \quad (12)$$

where

- DPLLx\_FB\_FDEV: Frequency deviation value (0 to 2<sup>38</sup>– 1)
- Reqd\_ppb: Required DCO frequency step size (in ppb)
- DPLL\_DEN: DPLL FB divider denominator value (1 to 2<sup>40</sup>, register value of 0 = 2<sup>40</sup>)
- f<sub>VCOx</sub>: VCOx frequency
- f<sub>TDCx</sub>: TDCx frequency

#### 7.4.2.3 APLL DCO Frequency Step Size

Users must write to the DPLLx\_FREE\_RUN register field to adjust the APLL DCO. When DPLLx\_HIST\_EN = 1, the relative adjustments are performed. When DPLLx\_HIST\_EN = 0 the DPLLx\_FREE\_RUN value is used for the APLLx DCO numerator. The effective APLLx numerator can be read back from APLLx\_NUM\_STAT.

Equation 13 shows the formula to compute the DPLLx\_FREE\_RUN field value required to meet the specified DCO frequency step size in ppb (part-per-billion) when relative APLL DCO mode is enabled. DPLLx\_FREE\_RUN is a signed value and the actual programmed value for a negative number can be calculated as the 2s complement.

$$DPLLx\_FREE\_RUN = (Reqd\_ppb / 10^9) \times APLLx\_DEN \times f_{VCOx} / f_{PDFx} \quad (13)$$

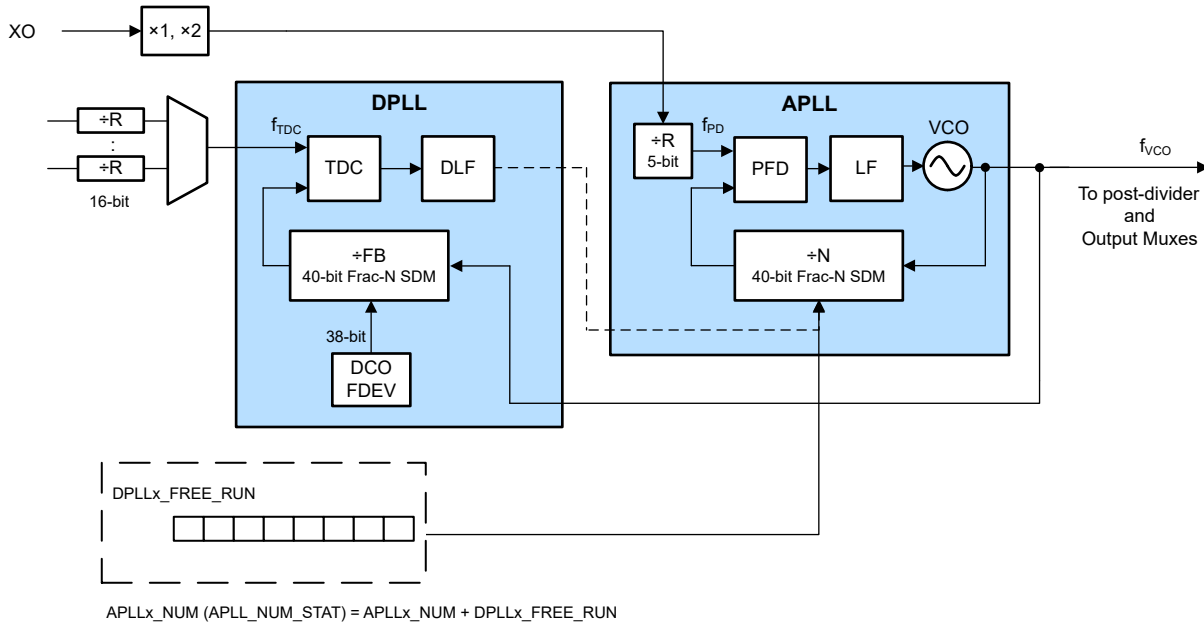
where

- DPLLx\_FREE\_RUN: Frequency deviation value ( $-2^{39}$  to  $2^{39}-1$ )
- Reqd\_ppb: Required DCO frequency step size (in ppb)
- APLLx\_DEN: APLL FB divider denominator value ( $2^{40}$ )
- $f_{VCOx}$ : VCOx frequency
- $f_{PDFx}$ : PLLx phase detector frequency

### 7.4.3 APLL Frequency Control

The device can also support APLL frequency and phase control through writing the 40-bit register DPLLx\_FREE\_RUN[39:0] while the DPLL is in holdover or not used. If the reference clock in a free-run mode or disabled, the DPLL disconnects with the APLL, but users can still adjust frequency and phase accuracy.

To enable APLL DCO control, set DPLLx\_LOOP\_EN = 1, and PLLx\_MODE = 1 for 40-bit fractional denominator. DPLLx\_EN can be set = 0.



**Figure 7-40. APLL DCO Mode**

There are two alternative methods in adjusting the APLL DCO.

- Absolute frequency adjustment
  - Set DPLLx\_HIST\_EN = 0
  - Effective APLLx\_NUM (APLLx\_NUM\_STAT) = APLLx\_NUM + DPLLx\_FREE\_RUN
    - The APLLx\_NUM\_STAT is a read-only register and can be read back.
    - The DPLL loop filter block modifies the APLLx\_NUM\_STAT based on DPLLx\_FREE\_RUN value.
  - DPLLx\_FREE\_RUN is a 40-bit 2's complement number
- Relative frequency adjustment
  - Set DPLLx\_HIST\_EN = 1
  - DPLLx\_FREE\_RUN value is fed into the APLLx\_NUM at a controlled rate defined by a step size register and step period register.
  - If another DPLLx\_FREE\_RUN write occurs before the LMK is complete in making the last adjustment, any remaining steps are lost and the new value begins to feed the APLL numerator.
  - A flag is set when the DPLLx\_FREE\_RUN word is fully fed into the effective APLLx\_NUM (APLLx\_NUM\_STAT).

## 7.4.4 Device Start-Up

### 7.4.4.1 Device Power-On Reset (POR)

Figure 7-41 shows the device power-on reset (POR) configuration sequence. POR occurs when the PD# pin is deasserted and reaches a logic high state. After POR, the serial control interface of choice (I<sup>2</sup>C or SPI) is selected. The LMK5C22212A supports preconfigured device settings from the factory preprogrammed internal ROM Page Selection. A programmable EEPROM Overlay provides a flexible start-up of output clocks. Refer to Programming for after start-up programming details.

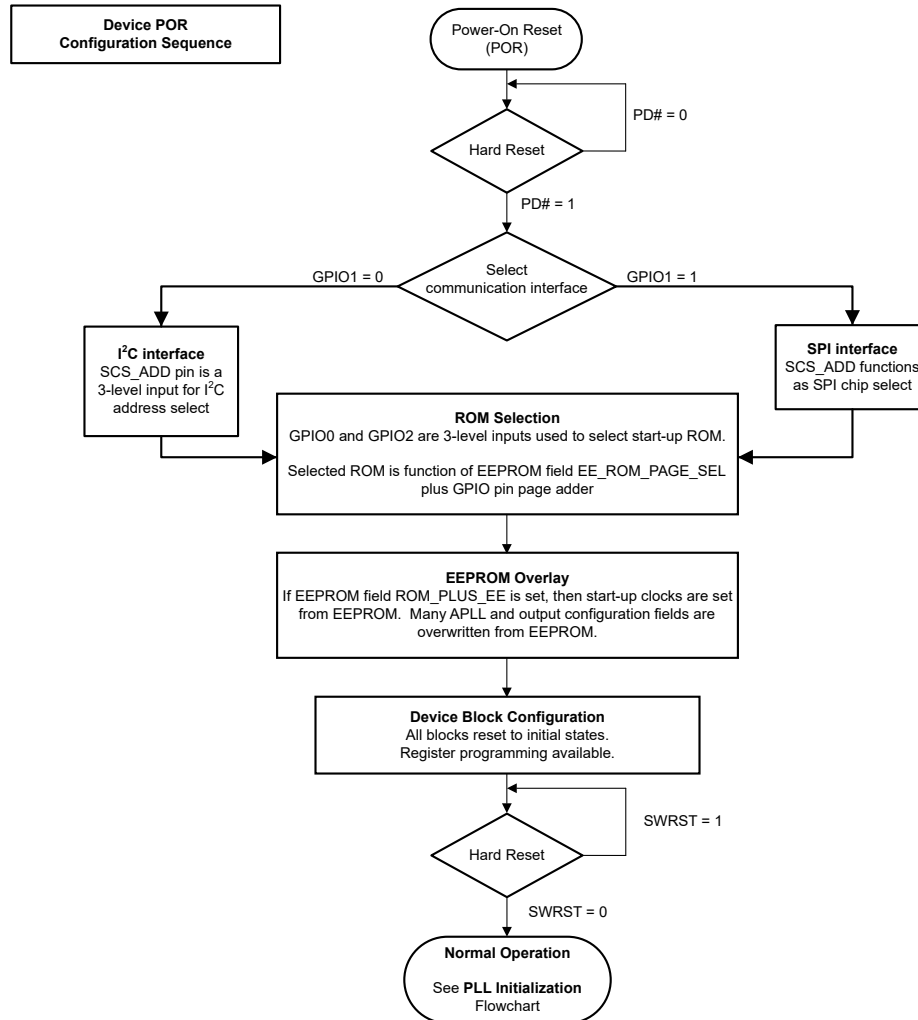


Figure 7-41. Device POR Sequence

After start-up, a global SWRST (R23[6]) restarts the device initialization sequence and APLL calibration state machine (see Figure 7-42). Issuing the global SWRST is recommended when modifying the APLL registers after POR to recalibrate all of the APLLs and re-align the output and SYSREF channel dividers.

When toggling the global SWRST, a disruption on the APLL output clocks can occur until the APLLs acquire lock again. An individual APLLx software reset (APLLx\_SWRST) can be issued to avoid disturbing other APLL clocks. Use the APLLx\_SWRST after bring-up when modifying the registers of the individual APLLx. For example, if only APLL1 registers are changed, then issue an APLL1\_SWRST and only APLL1 outputs are briefly disrupted while APLL2 outputs remain undisturbed.

Issuing a SWRST is **not required** for the following cases:

- When no register writes are performed after boot-up.

- When only the XO input termination type, INx input termination type, output drivers (such as swing level or channel divider), GPIO pin, status, or DCO registers are modified after boot-up.
- When programming the EEPROM.

Issuing a SWRST is **recommended** for the following cases:

- When most of the register writes are modified through I2C or SPI (such as during device configuration after boot-up).
- When the ZDM and SYSREF registers are configured. Not required if only changing the SYSREF divider value.
- When the APLLx registers are modified and a brief interruption on all of the APLLx clocks is not an issue.

Issuing an individual APLLx\_SWRST is **recommended** for the following cases:

- When the device has been configured with the desired registers and only APLLx registers need to be modified without disturbing the other APLL output clocks.

#### 7.4.4.2 PLL Start-Up Sequence

Figure 7-42 shows the general sequence for APLL start-up after POR. This sequence also applies after a global SWRST or APLLx\_SWRST. To provide proper VCO calibration, the APLL reference clock must be stable in amplitude and frequency prior to the start of VCO calibration. Otherwise, the VCO calibration can fail and prevent start-up of the APLL and the output clocks.

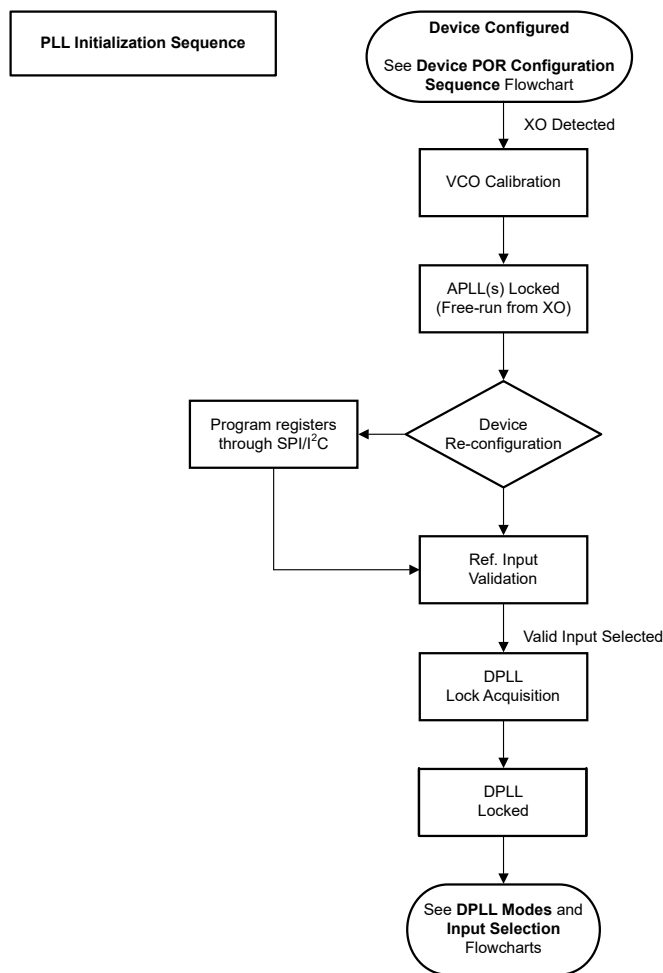


Figure 7-42. APLL Initialization Sequence

#### 7.4.4.3 Start-Up Options for Register Configuration

The device can boot-up from either of the four listed options. The option selected depends on the system use case.

##### 1. Option 1: ROM

- a. The device boots up from one of the ROM pages, the EEPROM overlay is bypassed, and no I2C transactions are performed after start-up.
- b. Use this option when both DPLL and APLL settings match a ROM page.

##### 2. Option 2: ROM → EEPROM

- a. The device boots up from one of the ROM pages, then the EEPROM settings are loaded to the device and overwrite the XO, APLL, and output driver configuration.
- b. Use this option when the desired DPLL settings match a ROM page but the APLL settings do not. Also, use for free-run mode (APLL only, DPLL disabled) configurations.

##### 3. Option 3: ROM → EEPROM → in-system programming

- a. The device boots up from one of the ROM pages, then the EEPROM settings are loaded to the device and overwrite the XO, APLL, and output driver configuration. I2C transactions are performed after start-up to update the remaining registers that are not stored in EEPROM (DPLL, SYSREF, and GPIO).
- b. Use this option when the desired DPLL and APLL settings do not match a ROM page.

##### 4. Option 4: ROM → in-system programming

- a. The device boots up from one of the ROM pages, the EEPROM overlay is bypassed, and I2C transactions are performed to overwrite any undesired register value initialized by the ROM selection (DPLL, SYSREF, GPIO, XO, APLL, and output driver).
- b. Use this option when the EEPROM can not be preprogrammed to reduce start-up time or when the majority of the registers must be configured in-system.

#### 7.4.4.4 GPIO1 and SCS\_ADD Functionalities

The device can start-up as either I<sup>2</sup>C or SPI depending on the 2-level input level sampled on the GPIO1 pin during POR.

- **GPIO1 = 0:** [I<sup>2</sup>C Serial Interface](#) is selected and the SCS\_ADD pin functions as a 3-level input for the I<sup>2</sup>C address select.
- **GPIO1 = 1:** [SPI Serial Interface](#) is selected and the SCS\_ADD functions as a SPI chip select.

#### 7.4.4.5 ROM Page Selection

At POR, the sum of the GPIO2, GPIO0, and EE\_ROM\_PAGE\_SEL (R20[6:3]) logic states determine which ROM page is used. The EE\_ROM\_PAGE\_SEL field is stored in EEPROM and has a factory default setting of EE\_ROM\_PAGE\_SEL = 0. All register pages in the ROM are factory-set in hardware (mask ROM) and are not software programmable by the user. For more details on the register descriptions, refer to the [LMK5B33216 Programmer's Guide](#).

**Table 7-11. ROM Page Selection by GPIO2 and GPIO0**

| GPIO2 AT POR | GPIO0 AT POR | ROM PAGE WITH EE_ROM_PAGE_SEL = 0  |
|--------------|--------------|--|
| L            | L            | ROM page 0. XO= 48MHz, REFCLK = 156.25MHz and 10MHz, outputs = 100MHz, 122.88MHz, 245.76MHz, 312.5MHz, 491.52MHz.                              |
| L            | H            | ROM page 1. XO= 48MHz, REFCLK = 10MHz, outputs = 100MHz, 312.5MHz, 491.52MHz.  |
| H            | L            | ROM page 2. XO= 48MHz, REFCLK = 10MHz, outputs = 100MHz, 125MHz, 312.5MHz, 491.52MHz.  |
| H            | H            | ROM page 3. Low power mode. All PLLs off, all outputs off.   |
| L            | M            | ROM page 4. XO = 54MHz, REFCLK = 30.72MHz, outputs = 30.72MHz, 125MHz, 161.1328125MHz, 122.88MHz, 245.76MHz, 491.52MHz.                        |
| M            | L            | ROM page 5. XO= 20MHz, REFCLK = 156.25MHz, outputs = 100MHz, 125MHz, 156.25MHz, 245.76MHz, 491.52MHz   |
| M            | M            | ROM page 6. XO= 48MHz, REFCLK = 156.25MHz, outputs = 1 Hz (1-PPS), 25MHz, 100MHz, 122.88MHz, 125MHz, 156.25MHz, 245.76MHz, 491.52MHz           |
| M            | H            | ROM page 7. XO= 48MHz, REFCLK = 156.25MHz, outputs = 1 Hz (1-PPS), 20.48MHz, 25MHz, 100MHz, 122.88MHz, 125MHz, 156.25MHz, 245.76MHz, 491.52MHz |
| H            | M            | ROM page 8. XO= 48MHz, REFCLK = 491.52MHz and 156.25MHz, outputs = 25MHz, 122.88MHz, 125MHz, 156.25MHz, 491.52MHz                              |

**Table 7-12. ROM Detailed Description**

| ROM | XO    | IN0    | IN1    | OUT0                    | OUT1                  | OUT2               | OUT3               | OUT4                    | OUT5                  | OUT6                  | OUT7                    | OUT8                    | OUT9                    | OUT10                   | OUT11                   |
|-----|-------|--------|--------|-------------------------|-----------------------|--------------------|--------------------|-------------------------|-----------------------|-----------------------|-------------------------|-------------------------|-------------------------|-------------------------|-------------------------|
| 0   | 48    | 156.25 | 10     | 100                     | 100                   | 122.88             | 245.76             | 312.5                   | 312.5                 | 312.5                 | 312.5                   | 491.52                  | 1.92 <sup>(1)</sup>     | 491.52                  | 1.92 <sup>(1)</sup>     |
| 1   | 48    | 10     | 10     | 1.92 <sup>(1) (3)</sup> | 491.52 <sup>(3)</sup> | 100 <sup>(3)</sup> | 100                | 491.52 <sup>(3)</sup>   | 491.52 <sup>(3)</sup> | 491.52                | 1.92 <sup>(1) (3)</sup> | 122.88 <sup>(3)</sup>   | 122.88 <sup>(3)</sup>   | 491.52 <sup>(3)</sup>   | 1.92 <sup>(1) (3)</sup> |
| 2   | 48    | 10     | 10     | 1.92 <sup>(1) (3)</sup> | 491.52                | 100                | 100                | 1.92 <sup>(1) (3)</sup> | 491.52                | 491.52                | 1.92 <sup>(1) (3)</sup> | 122.88                  | 1.92 <sup>(1) (3)</sup> | 491.52                  | 1.92 <sup>(1) (3)</sup> |
| 3   | 38.88 | 156.25 | 10     | 1.92 <sup>(1) (3)</sup> | 25 <sup>(3)</sup>     | 100 <sup>(3)</sup> | 100 <sup>(3)</sup> | 156.25 <sup>(3)</sup>   | 156.25 <sup>(3)</sup> | 156.25 <sup>(3)</sup> | 156.25 <sup>(3)</sup>   | 1.92 <sup>(1) (3)</sup> | 122.88 <sup>(3)</sup>   | 1.92 <sup>(1) (3)</sup> | 122.88 <sup>(3)</sup>   |
| 4   | 54    | 30.72  | 30.72  | 125                     | 125                   | 30.72              | 30.72              | 161.1x <sup>(2)</sup>   | 161.1x <sup>(2)</sup> | 161.1x <sup>(2)</sup> | 161.1x <sup>(2)</sup>   | 122.88                  | 122.88                  | 245.76                  | 245.76                  |
| 5   | 20    | 156.25 | 156.25 | 100                     | 125                   | 156.25             | 156.25             | 245.76                  | 491.52                | 245.76                | 7.68 <sup>(1)</sup>     | 491.52                  | 7.68 <sup>(1)</sup>     | 491.52                  | 7.68 <sup>(1)</sup>     |
| 6   | 48    | 156.25 | 156.25 | 1E-6 <sup>(1) (3)</sup> | 125                   | 100                | 100                | 25                      | 125 <sup>(3)</sup>    | 156.25                | 156.25 <sup>(3)</sup>   | 245.76 <sup>(3)</sup>   | 7.68 <sup>(1) (3)</sup> | 491.52 <sup>(3)</sup>   | 7.68 <sup>(1) (3)</sup> |
| 7   | 48    | 156.25 | 156.25 | 1E-6 <sup>(1)</sup>     | 125                   | 100                | 100                | 25                      | 125                   | 156.25                | 156.25                  | 245.76                  | 7.68 <sup>(1)</sup>     | 491.52                  | 7.68 <sup>(1)</sup>     |
| 8   | 48    | 491.52 | 156.25 | 125                     | 25                    | 312.5              | 156.25             | 491.52                  | 7.68 <sup>(1)</sup>   | 491.52                | 7.68 <sup>(1)</sup>     | 491.52                  | 7.68 <sup>(1)</sup>     | 491.52                  | 7.68 <sup>(1)</sup>     |

- (1) The output clock is sourced from the SYSREF channel divider.  
 (2) The exact output clock frequency is 161.1328125MHz.  
 (3) The output clock frequency is configured but the output channel is disabled.



#### 7.4.4.6 EEPROM Overlay

An integrated EEPROM supports user-customized output clocks on start-up when the ROM pages do not meet the start-up clocking requirements. The DPLL, SYSREF, and GPIO registers are not set by the EEPROM values and are instead initialized by the [ROM Page Selection](#). If the loaded DPLL settings from the ROM page are not valid for a system, the APLLs lock to the XO input instead. The DPLL reference inputs are considered valid and can lock to the DPLL once the DPLL registers are properly configured.

The device EEPROM overlay can be set by the ROM\_PLUS\_EE bit (R20[7]), which is stored in EEPROM. The factory default EEPROM setting for the ROM\_PLUS\_EE bit is 0.

- **ROM\_PLUS\_EE = 0:** The device is started with just the ROM settings.
- **ROM\_PLUS\_EE = 1:** The EEPROM overlay overwrites the XO, APLL, and output driver settings initialized from the ROM page selection.

### 7.4.5 Programming

#### 7.4.5.1 Memory Overview

The LMK5C22212A has four memory spaces.

1. **Registers** – Contains the active register settings currently used by the device.
2. **ROM** – Contains all register settings (DPLL, SYSREF, GPIO, XO, APLL, and output driver). Has default ROM pages that are not user programmable. See [ROM Page Selection](#).
3. **EEPROM** – Contains partial register settings (APLL and output). Can be programmed numerous times through I2C or SPI (refer to the [Absolute Maximum Ratings](#) for the maximum number of programming cycles). See [EEPROM Overlay](#).
4. **SRAM** – Contains the same address and data mapping as the EEPROM. Use only for programming the EEPROM.

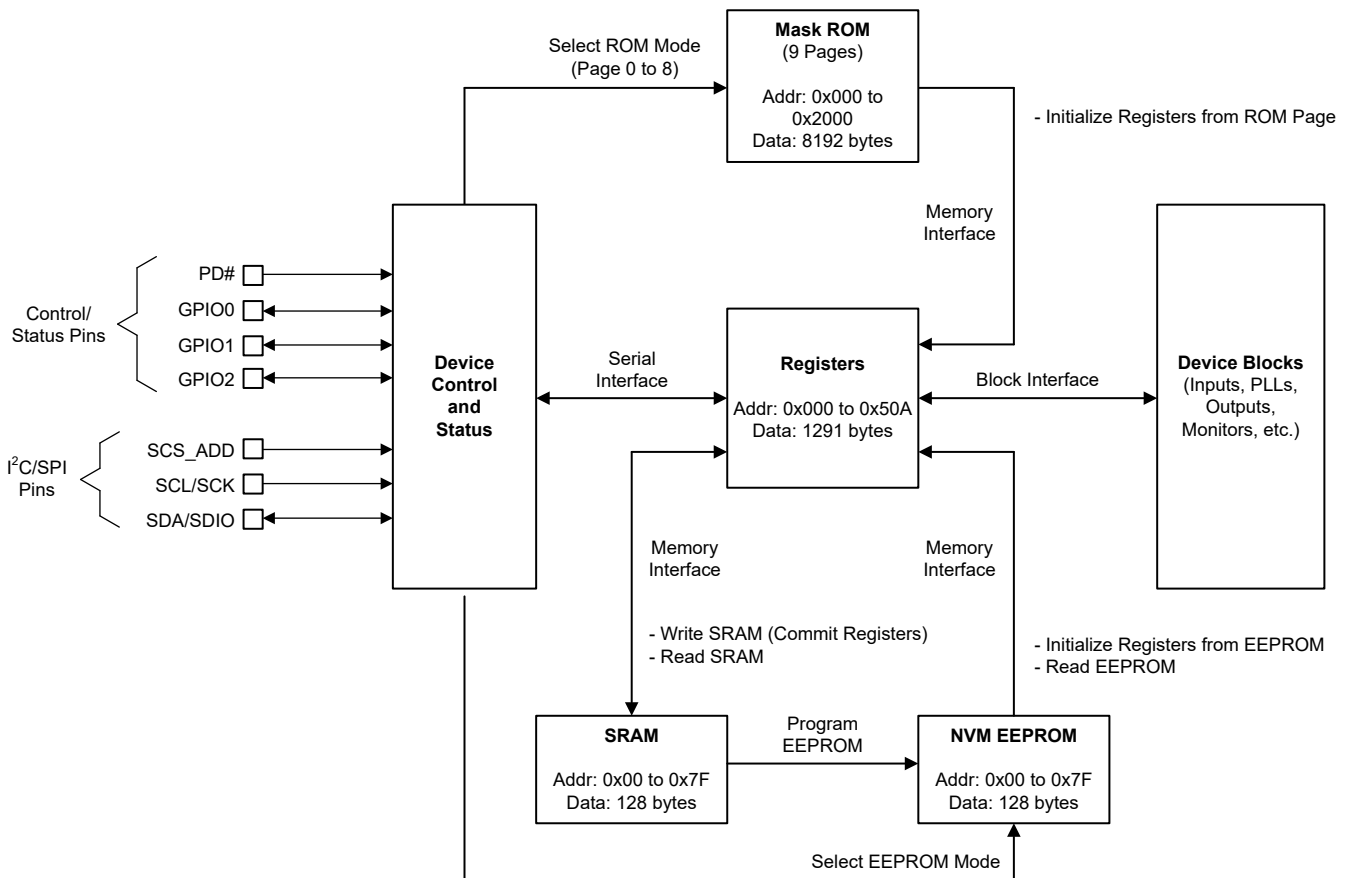


Figure 7-43. Device Control, Register, and Memory Interfaces

### 7.4.5.2 Interface and Control

After start-up, a system host device (MCU or FPGA) can use either  $I^2C$  or SPI to initialize, control, or monitor the registers and to access the SRAM and EEPROM maps. Some device features can also be controlled and monitored through the external logic control (GPIOx) and status pins. A 2-byte address and 1-byte data interface is used for the LMK5C22212A.

In the absence of a host, the LMK5C22212A can self-start from one of the on-chip ROM pages and EEPROM overlay to initialize the registers upon device POR, see [Device Start-Up](#).

#### 7.4.5.2.1 Programming Through TICS Pro

The [TICS Pro](#) software tool for EVM programming has a step-by-step design flow to enter the user-selected clock design parameters, calculate the frequency plan, and generate the device register settings for the desired configuration. The register map data file (hex dump in text format) and EEPROM programming sequence can be exported to enable host programming of the device on start-up.

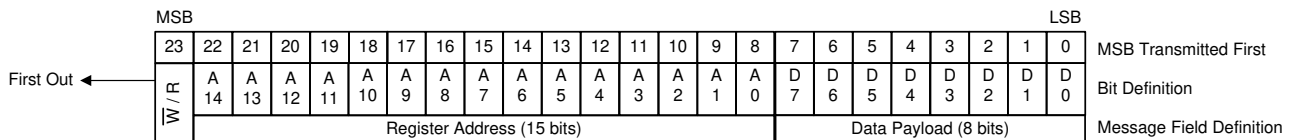
If desired, customers can post a TICS Pro setup file (.tcs) to the [TI E2E](#) public forum for TI to review and optimize the configuration settings.

#### 7.4.5.2.2 SPI Serial Interface

When SPI control interface is selected, the device uses a 3-wire SPI with SDIO, SCK, and SCS signals (SPI\_3WIRE\_DIS = 0). When using SPI SCS\_ADD also can act as a Time Elapsed Counter (TEC) trigger. When set SPI\_3WIRE\_DIS = 1, any GPIO can be selected as SDO to support readback with 4-wire SPI.

SPI and GPIO I/O are referenced to the 3.3-V power supply and the output drivers are 3.3-V LVCMOS compatible. The inputs are 1.8-V, 2.5-V, or 3.3-V LVCMOS compatible. When the SPI host is 3.3-V I/O, either 3-wire or 4-wire can be used without any voltage conversion. When the SPI host is not 3.3-V I/O compliant, the SDO signal from LMK5C22212A device must be divided to be compatible with the SPI host voltage level. The SDO pin can also be configured for open drain so the pullup resistors set the read back voltage as desired.

The host device must present data to the device MSB first. A message includes a transfer direction bit ( $\overline{W/R}$ ), a 15-bit address field (A14 to A0), and a 8-bit data field (D7 to D0) as shown in [Figure 7-44](#). The  $\overline{W/R}$  bit is 0 for a SPI write and 1 for a SPI read.



**Figure 7-44. SPI Message Format**

A message frame is initiated by asserting SCS low. The frame ends when SCS is deasserted high. The first bit transferred is the  $\overline{W/R}$  bit. The next 15 bits are the register address, and the remaining eight bits are data. On write transfers, data is committed in bytes as the final data bit (D0) is clocked in on the rising edge of SCK. If the write access is not an even multiple of eight clocks, the trailing data bits are not committed. On read transfers, data bits are clocked out from the SDO pin on the falling edges of SCK.

#### 7.4.5.2.2.1 SPI Block Register Transfer

The LMK5C22212A supports a SPI block write and block read transfers. A SPI block transfer is exactly (2 + N) bytes long, where N is the number of data bytes to write or read. The host device (SPI host) is only required to specify the lowest address of the sequence of addresses to be accessed. The device automatically increments the internal register address pointer if the SCS pin remains low after the host finishes the initial 24-bit transmission sequence. Each transfer of eight bits (a data payload width) results in the device automatically incrementing the address pointer (provided the SCS pin remains active low for all sequences).

#### 7.4.5.2.3 I<sup>2</sup>C Serial Interface

When GPIO1 = 0, the device operates as an I<sup>2</sup>C client and supports bus rates of 100kHz (standard mode) and 400kHz (fast mode). Slower bus rates can work as long as the other I<sup>2</sup>C specifications are met.

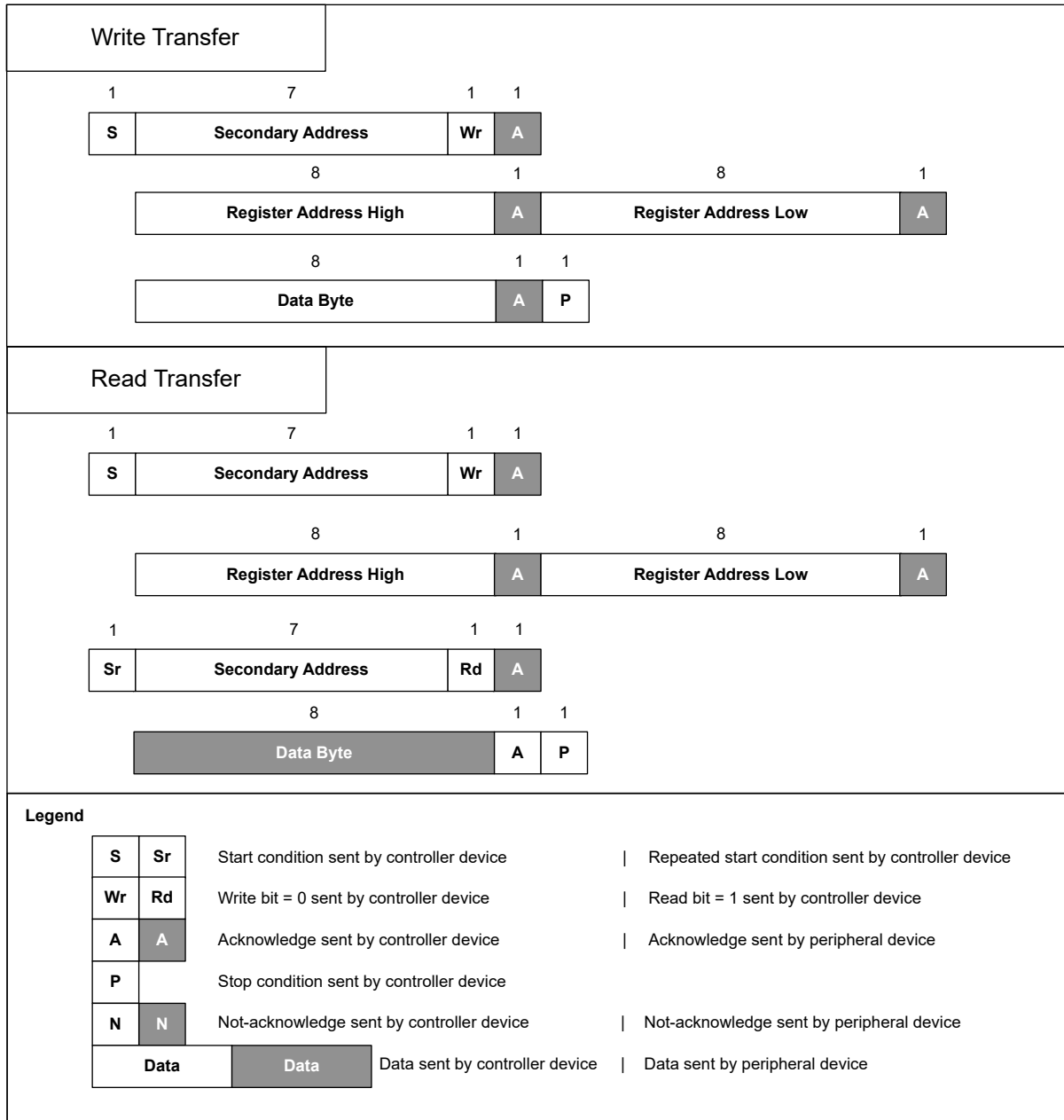
The five MSBs of the 7-bit I<sup>2</sup>C address are initialized from the EEPROM at start-up, see [EEPROM Programming With the Direct Writes Method or Mixed Method](#) as well as [Five MSBs of the I<sup>2</sup>C Address and the EEPROM Revision Number](#).

The two LSBs of the I<sup>2</sup>C address are defined by the SCS\_ADD pin state at start-up.

[Table 7-13](#) shows the I<sup>2</sup>C address options based on the EEPROM default for the five MSBs of the I<sup>2</sup>C address and the SCS\_ADD state.

**Table 7-13. I<sup>2</sup>C Address Options**

| 5 MSBs of I <sup>2</sup> C ADDRESS (FACTORY DEFAULT) | SCS_ADD PIN STATE | 2 LSBs of I <sup>2</sup> C ADDRESS | I <sup>2</sup> C ADDRESS |
|--|-------------------|------------------------------------|--------------------------|
| 0x19   | Low               | 0                                  | 0x64                     |
| 0x19   | Vmid              | 2                                  | 0x66                     |
| 0x19   | High              | 1                                  | 0x65                     |



**Figure 7-45. I<sup>2</sup>C Byte Write and Read Transfers**

## I<sup>2</sup>C Block Register Transfers

Figure 7-46 shows that the device supports I<sup>2</sup>C block write and block read register transfers.

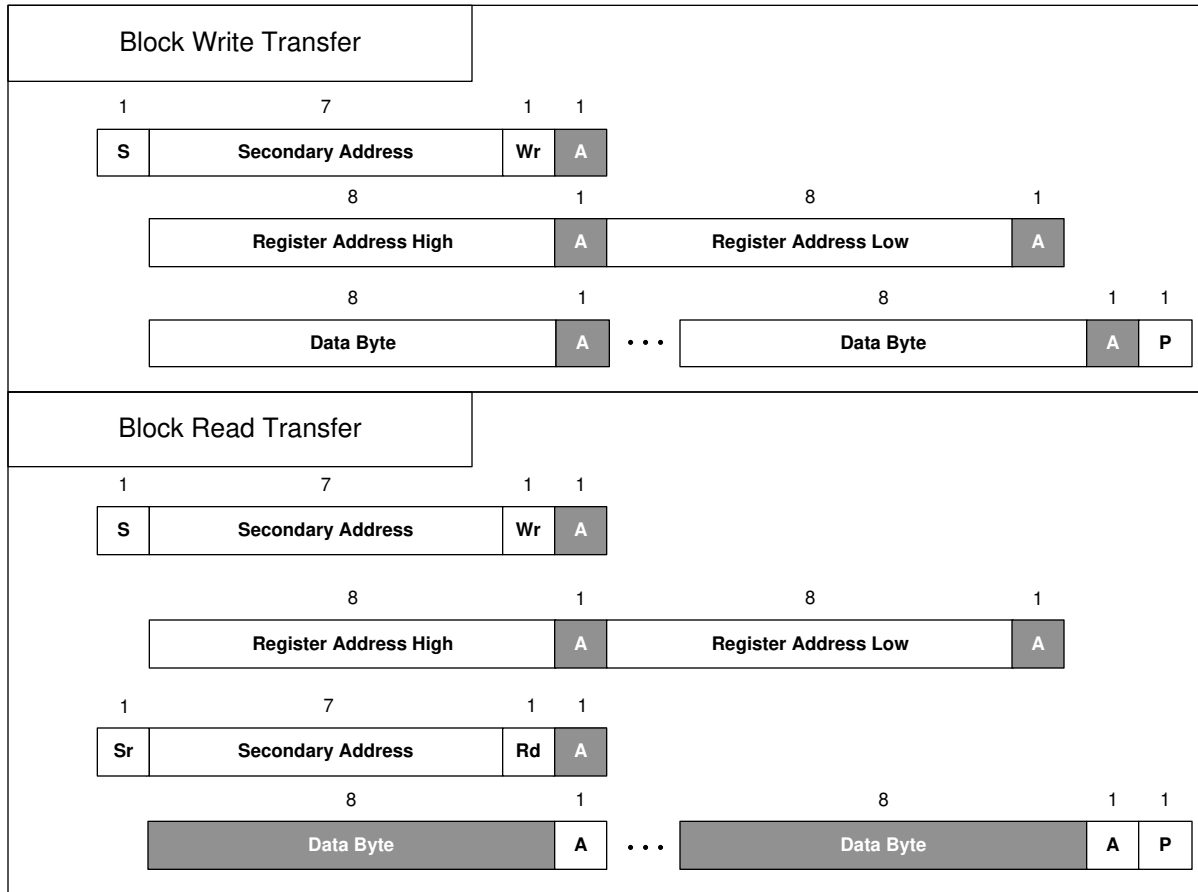


Figure 7-46. I<sup>2</sup>C Block Register Transfers

### 7.4.5.3 General Register Programming Sequence

For applications that use a system host to program the initial configuration through I<sup>2</sup>C or SPI after power up, this general procedure can be followed:

- Apply power to the device to start in I<sup>2</sup>C or SPI mode (see [Device Start-Up](#)).
- Set all outputs to static low to verify that there are no glitches at startup.
  - For all outputs, configure the OUT\_x\_CONFIGURATION registers.
  - For only OUT0 and OUT1, configure the OUT\_x\_CONFIGURATION and the OUT\_x\_STATIC\_LOW registers.
- Write to all of the registers EXCEPT the following registers:
  - The registers listed in Step 2.
  - R25[0] (SYNC\_EN)
  - R21[6] (SYNC\_SW)
  - R23[6] (SWRST)
  - R23[5:4] (DPLLx\_SWRST)
  - R23[2:1] (APLLx\_SWRST)
- Perform global, DPLL, and APLL software resets by writing:
  - SWRST = 1
  - APLLx\_SWRST = 1
  - DPLLx\_SWRST = 1

- d. SWRST = 0
- e. **Note:** The DPLLx\_SWRST and APLLx\_SWRST are self-clearing bits.
5. Wait for the APLL or APLLs to lock by polling the PLL loss of lock status registers, LOL\_PLLx, before asserting SYNC\_EN and SYNC\_SW.
6. Assert SYNC by writing:
  - a. SYNC\_EN = 1
  - b. SYNC\_SW = 1
7. Modify the output registers listed in Step 2: change from static low to the desired output states.
8. Deselect SYNC by writing:
  - a. SYNC\_SW = 0
  - b. SYNC\_EN = 0 (optional and not required)
9. Optional, but recommended: Clear the interrupt (INTR) status flags. These bits are not self-clearing (sticky) and can get set during start-up while the DPLL and APLL registers are not yet properly configured.

Alternatively, use the part-specific TICS Pro profile to export a customized register programming sequence for the currently loaded .tcs file as shown in Figure 7-47.

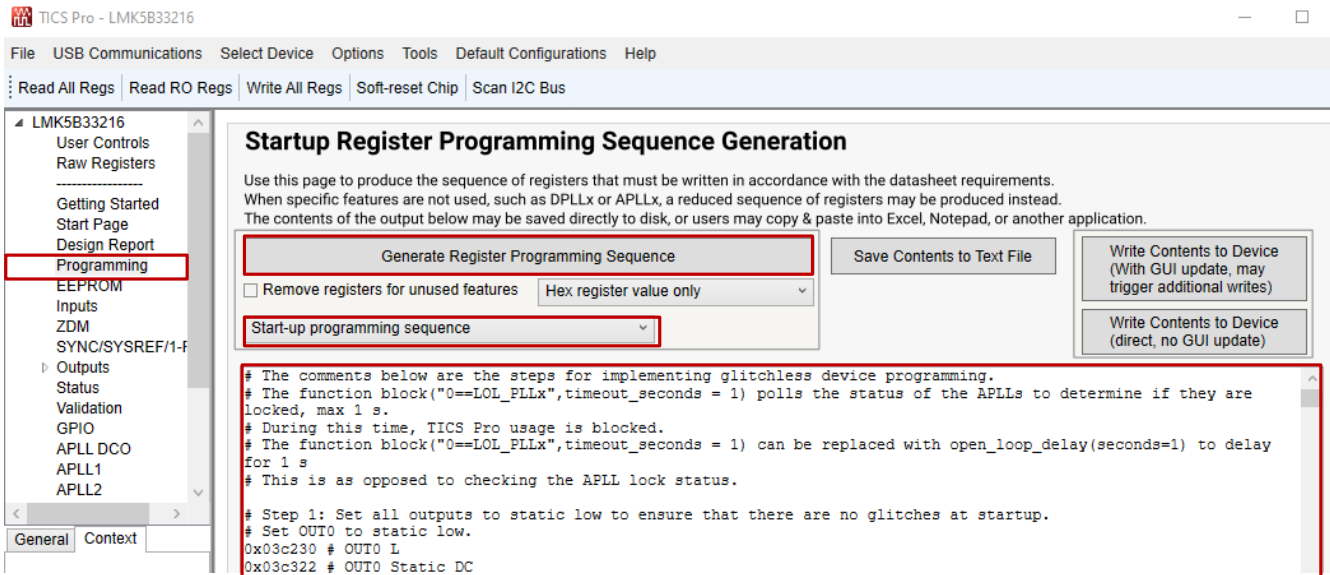


Figure 7-47. LMK5xxxxxx TICS Pro Programming Page (Screenshot From v1.7.7.4.)

#### 7.4.5.4 Steps to Program the EEPROM

The first step is to program the SRAM with the desired register settings. The next step is to program the EEPROM through an automatic SRAM to EEPROM transfer. For more details on each step, refer to the listed sections:

1. [Overview of the SRAM Programming Methods](#)
2. [EEPROM Programming With the Register Commit Method](#) and [EEPROM Programming With the Direct Writes Method or Mixed Method](#)

##### 7.4.5.4.1 Overview of the SRAM Programming Methods

The register data can be written to the SRAM by any of three methods:

1. Register Commit Method
  - a. Uses the REGCOMMIT bit to enable the **automatic** transfer (mapping) of the active registers to SRAM.
  - b. Modifies the SRAM and EEPROM by using the contents of the active registers.
  - c. Does not require knowledge of the SRAM and EEPROM mapping.
  - d. Cannot be used to modify the following EEPROM fields: TARGET\_ADR\_MSB and EEREV.

- e. Recommended for most applications and when pre-programming the device.
- 2. Direct Writes Method
  - a. Requires direct and **manual** writes to each SRAM address.
  - b. Modifies the SRAM and EEPROM without writing to the active register space, which allows the device to continue normal operation without disruption.
  - c. Requires knowledge of the SRAM and EEPROM mapping.
  - d. Can be used to modify the following EEPROM fields: TARGET\_ADR\_MSB and EEREV.
  - e. Recommended when programming the EEPROM in-system (such as for a version update) to avoid output interruption.
  - f. Recommended when overwriting all of the SRAM.
- 3. Mixed Method (Register Commit and Direct Writes)
  - a. Recommended when only modifying **select** fields in SRAM, such as the TARGET\_ADR\_MSB and EEREV.
  - b. Not recommended when overwriting all of the SRAM through the Direct Writes method.

#### 7.4.5.4.2 EEPROM Programming With the Register Commit Method

1. Power cycle (toggle PD#).
2. Write to the active registers with the desired configuration and confirm the output clocks behave as expected.
3. Commit active registers to SRAM by setting R171[6] (REGCOMMIT) to 1.
  - a. **Note:** REGCOMMIT is auto-cleared to 0 when the transfer is completed.
4. Enable EEPROM overlay by setting R20[7] (ROM\_PLUS\_EE) to 1.
5. Unlock EEPROM by setting to R180 (NVMUNLK) to 234.
6. In one transaction:
  - a. Erase the contents of the EEPROM by setting R171[1] (NVMERASE) to 1.
  - b. Initiate EEPROM programming to transfer the SRAM contents to EEPROM by setting R171[0] (NVMPROG) to 1.
  - c. **Note:** Step 5 & 6 must be atomic (back-to-back) writes without any other register transactions in-between. Serial communication interruptions (such as access to other devices on the same bus) is also not allowed for successful EEPROM programming.
7. Wait for EEPROM programming to finish by polling R171[2] (NVMBUSY) until cleared or wait about 500ms.
  - a. **Note:** Do not power down, PD# toggle, or continue to the next step until NVMBUSY is cleared to have a successful EEPROM programming.
8. Lock the EEPROM by setting NVMUNLK to 0.
9. At the next POR, if the EEPROM programming is successful, the EEPROM program count, R16 (NVMCNT), increments by 1. Also, if the EEPROM overlay bit is set, the active registers are loaded from EEPROM.

Hex instruction list:

```
R171  0x00AB40      # Set REGCOMMIT
R20   0x001480      # Enable EEPROM OVERLAY
R180  0x00B4EA      # UNLOCK EEPROM
R171  0x00AB03      # ERASE and PROGRAM SRAM contents to EEPROM
while(READ_REG(NVMBUSY) != 0) # NVMBUSY is located in 0xAB, bit 2
R180  0x00B400      # LOCK EEPROM
```

#### 7.4.5.4.3 EEPROM Programming With the Direct Writes Method or Mixed Method

1. Attain the SRAM mapping of your desired configuration. The SRAM map is generated in TICS Pro. For the TARGET\_ADR\_MSB and EEREV mapping, see [Five MSBs of the I2C Address and the EEPROM Revision Number](#).
2. **Mixed method only:** Commit active registers to SRAM by setting REGCOMMIT (R171[6]) to 1.
  - a. **Note:** REGCOMMIT is auto-cleared to 0 when the transfer is completed.
3. Enable EEPROM overlay by setting R20[7] (ROM\_PLUS\_EE) to 1.
4. Configure the SRAM address pointer by setting R173[4:0] (MEMADR\_12:8) to the 5 MSBs of the SRAM address.



5. Configure the SRAM address pointer by R174 (MEMADR) to the 8 LSBs of the SRAM address.
6. Store the desired data at the specified SRAM address by setting R176 (RAMDAT) to the SRAM data from the SRAM map.
7. Repeat steps 4-6 for all desired SRAM addresses.
8. Unlock EEPROM by setting to R180 (NVMUNLK) to 234.
9. In one transaction:
  - a. Erase the contents of the EEPROM by setting NVMERASE (R171[1]) to 1.
  - b. Initiate EEPROM programming to transfer the SRAM contents to EEPROM by setting NVMPROG (R171[0]) to 1.
  - c. **Note:** Step 5 & 6 must be atomic (back-to-back) writes without any other register transactions in-between. Serial communication interruptions (such as access to other devices on the same bus) is also not allowed for successful EEPROM programming.
10. Wait for EEPROM programming to finish by polling R171[2] (NVMBUSY) until cleared or wait about 500ms.
  - a. **Note:** Do not power down, PD# toggle, or continue to the next step until NVMBUSY is cleared to have a successful EEPROM programming.
11. Lock the EEPROM by setting NVMUNLK to 0.
12. At the next POR, if the EEPROM programming is successful, the EEPROM program count, R16 (NVMCNT), increments by 1. Also, if the EEPROM overlay bit is set, the active registers are loaded from EEPROM.

Hex instruction example for changing the TARGET\_ADR\_MSB:

```

R171      0x00AB40      # Set REGCOMMIT (Mixed Method only)
R20       0x001480      # Enable EEPROM OVERLAY
R173      0x00AD00      # Set 5 MSBs of SRAM address
R174      0x00AE0C      # Set 8 LSBs of SRAM address
R176      0x00B019      # Set 5 MSBs of desired I2C address

R180      0x00B4EA      # UNLOCK EEPROM
R171      0x00AB03      # ERASE and PROGRAM SRAM contents to EEPROM
while(READ_REG(NVMBUSY) != 0) # NVMBUSY is located in 0xAB, bit 2
R180      0x00B400      # Lock EEPROM
  
```

Hex instruction example for changing the EEREV:

#### 7.4.5.4.4 Five MSBs of the I2C Address and the EEPROM Revision Number

Table 7-14 summarizes the SRAM and EEPROM addresses of the TARGET\_ADR\_MSB and EEREV fields. These bytes can **only** be written by [EEPROM Programming With the Direct Writes Method or Mixed Method](#). Modifying these bytes from the factory default settings is optional.

**Table 7-14. User-Programmable Fields in EEPROM**

| SRAM/EEPROM ADDRESS BYTE # (DECIMAL) | SRAM/EEPROM ADDRESS BYTE # (HEX) | SRAM/EEPROM FIELD NAME | DESCRIPTION   |
|--------------------------------------|----------------------------------|------------------------|---|
| 12                                   | 0x0C                             | TARGET_ADR_MSB         | <p><b>I<sup>2</sup>C Target Address MSB Bits</b></p> <p>TARGET_ADR_MSB[7:3] can be written to set the five MSBs of the 7-bit peripheral address. TARGET_ADR_MSB[2:0] must be written with zeros.</p> <p>TARGET_ADR_MSB can only be modified by programming the SRAM and EEPROM. The TARGET_ADR_MSB value that is currently used by the device can be readback by the read-only register, R18.</p> <p>For more I<sup>2</sup>C address details, refer to <a href="#">GPIO1 and SCS_ADD Functionalities</a> and <a href="#">I<sup>2</sup>C Serial Interface</a>.</p> |



**Table 7-14. User-Programmable Fields in EEPROM (continued)**

| SRAM/EEPROM ADDRESS BYTE # (DECIMAL) | SRAM/EEPROM ADDRESS BYTE # (HEX) | SRAM/EEPROM FIELD NAME | DESCRIPTION  |
|--------------------------------------|----------------------------------|------------------------|--|
| 13                                   | 0x0D                             | EEREV                  | <b>EEPROM Image Revision Number.</b><br>EEREV can be written to set the EEPROM image revision number or any customer-specific data for part traceability.<br>EEREV can only be modified by programming the SRAM and EEPROM. The EEREV value that is currently used by the device can be readback by the read-only register, R19. |

## 8 Application and Implementation

### Note

Information in the following applications sections is not part of the TI component specification, and TI does not warrant its accuracy or completeness. TI's customers are responsible for determining suitability of components for their purposes, as well as validating and testing their design implementation to confirm system functionality.

### 8.1 Application Information

#### 8.1.1 Device Start-Up Sequence

[Device Power-On Reset \(POR\)](#) shows the device start-up sequence.

#### 8.1.2 Power Down (PD#) Pin

The PD# pin (active low) can be used for device power down and used to initialize the POR sequence. When PD# is pulled low, the entire device is powered down and the serial interface is disabled. When PD# is pulled high, the device POR sequence is triggered to begin the device start-up sequence and normal operation as depicted in [Table 8-1](#). If the PD# pin is toggled to issue a momentary hard-reset, the negative pulse applied to the PD# pin must be greater than 200 ns to be captured by the internal digital system clock.

**Table 8-1. PD# Control**

| PD# PIN STATE | DEVICE OPERATION   |
|---------------|--------------------|
| 0             | Device is disabled |
| 1             | Normal operation   |

#### 8.1.3 Strap Pins for Start-Up

At start-up, voltage level on GPIOs determine the operation mode of the device. GPIO1 selects SPI or I<sup>2</sup>C mode. GPIO2 and GPIO0 select ROM page.

#### 8.1.4 Pin States

[Table 8-2](#) shows the different pin states of the device.

**Table 8-2. Pin States in Different Stages**

| PIN NAME | POWER DOWN    | STATES        | POR (SPI)                   | STATES        | POR (I <sup>2</sup> C)      | STATES        | NORMAL OPERATION | STATES        | SOFT RESET | STATES        |
|----------|---------------|---------------|-----------------------------|---------------|-----------------------------|---------------|------------------|---------------|------------|---------------|
| PD#      | LOW           | 2-level input | PD# transitions LOW to HIGH |               | PD# transitions LOW to HIGH |               | HIGH             | 2-level input | HIGH       | 2-level input |
| GPIO0    | Ready for POR | 3-level input | EEPROM/ROM select           | 3-level input | EEPROM/ROM select           | 3-level input | See table        | GPIO          | N/A        |               |
| GPIO1    | Ready for POR | 2-level input | VDD                         | 2-level input | GND                         | 2-level input | See table        | GPIO          | N/A        |               |

**Table 8-2. Pin States in Different Stages (continued)**

| PIN NAME | POWER DOWN    | STATES        | POR (SPI)         | STATES        | POR (I <sup>2</sup> C)          | STATES        | NORMAL OPERATION  | STATES | SOFT RESET | STATES |
|----------|---------------|---------------|-------------------|---------------|---------------------------------|---------------|---|--------|------------|--------|
| GPIO2    | Ready for POR | 3-level input | EEPROM/ROM select | 3-level input | EEPROM/ROM select               | 3-level input | See table   | GPIO   | N/A        |        |
| SCS_A DD | Ready for POR | 3-level input | SCS               | 2-level input | I <sup>2</sup> C address select | 3-level input | 2-level or 3-level input based on POR                               |        | N/A        |        |
| SDIO     | N/A           |               | SDIO              | Data I/O      | SDA                             | Data I/O      | SDIO or SDA control interface serial data input/output based on POR |        |            |        |
| SCK      | N/A           |               | SCK               | Clock input   | SCL                             | Clock input   | SCK or SCL control interface serial clock input based on POR        |        |            |        |

### 8.1.5 ROM and EEPROM

Some applications require start-up clocks to operate the entire system at power on. Other applications can only require a valid clock for the logic device (CPU, ASIC, or FPGA) at power on which can then program the LMK5C22212A with custom settings if the default ROM configuration does not meet the application requirements. The LMK5C22212A provides ROM pages to support default output clocks on start-up and an EEPROM to allow customization of the start-up clocks if the ROM pages do not meet the application requirements. See [ROM Page Selection](#) and [EEPROM Overlay](#) for more information.

### 8.1.6 Power Rail Sequencing, Power Supply Ramp Rate, and Mixing Supply Domains

#### 8.1.6.1 Power-On Reset (POR) Circuit

The LMK5C22212A integrates a built-in power-on reset (POR) circuit that holds the device in reset until all of the following conditions have been met:

- All V<sub>DD</sub> core supplies have ramped above 2.72 V
- PD# pin has ramped above 1.2 V (minimum V<sub>IH</sub>)

#### 8.1.6.2 Power Up From a Single-Supply Rail

As long as all VDD and VDDO supplies are driven by the same 3.3V supply rail that ramp in a monotonic manner from 0V to 3.135V, and the time between decision point 2 and stabilized supply voltage is less than 1ms, then there is no requirement to add a capacitor on the PD# pin to externally delay the device power-up sequence. [Figure 8-1](#) shows that the PD# pin can be left floating or otherwise driven by a system host to meet the clock sequencing requirements in the system.

If time between decision point 2 and stabilized supply voltage is greater than 1ms, then the PD# pin must be delayed. Refer to [Power Up From Split-Supply Rails](#).

As described in [Slow or Delayed XO Start-Up](#), validating the XO reference after PD# decision point 1 is necessary to provide a successful calibration of the VCOs and to capture a valid DPLL reference reading.

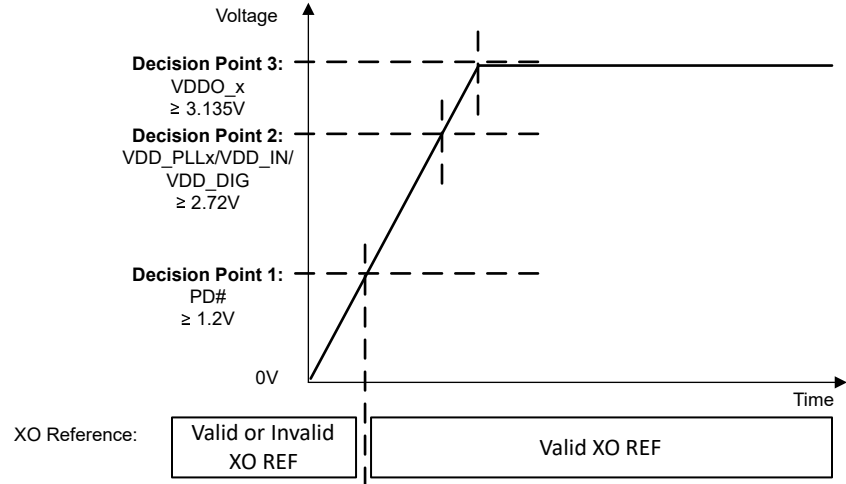
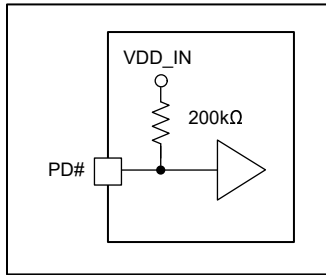


Figure 8-1. Recommendation for Power Up From a Single-Supply Rail

### 8.1.6.3 Power Up From Split-Supply Rails

If VDD or VDDO supplies are driven from different supply sources, TI recommends to start the PLL calibration after all of the supplies have ramped above 3.135V. This can be realized by delaying the PD# low-to-high transition. The PD# input incorporates a 200kΩ resistor to VDD\_IN and as shown in Figure 8-2. A capacitor from the PD# pin to GND can be used to form an RC time constant with the internal pullup resistor. This RC time constant can be designed to delay the low-to-high transition of PD# until all the core supplies have ramped above 3.135V. Ramping the VDDO supply pins before the VDD supply pins is recommended.

Alternatively, the PD# pin can be driven high by a system host or power management device to delay the device power-up sequence until all supplies have ramped.

As described in *Slow or Delayed XO Start-Up*, the XO reference must be valid after PD# decision point 3 to provide a successful calibration of the VCOs and to capture a valid DPLL reference reading.

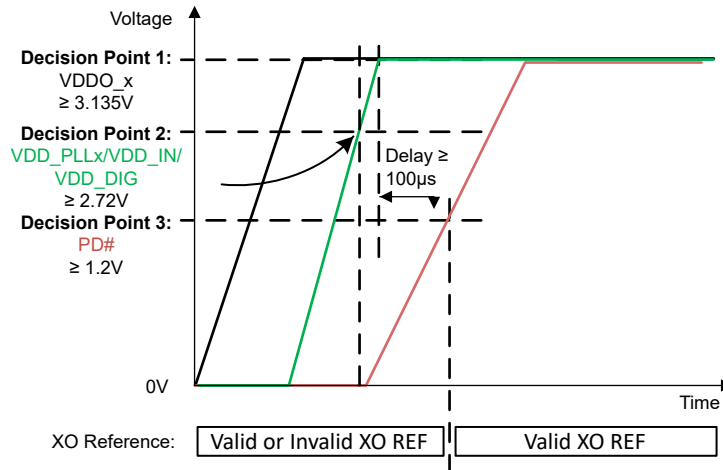
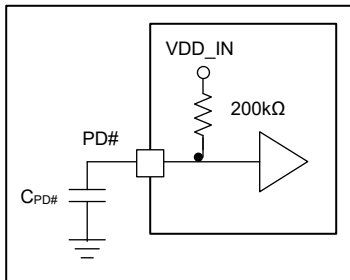


Figure 8-2. Recommendation for Power Up From Split-Supply Rails

#### 8.1.6.4 Non-Monotonic or Slow Power-Up Supply Ramp

In case the VDD core supplies ramp with a non-monotonic manner or with a slow ramp time from 0V to 3.135V or over 100ms, TI recommends to delay the VCO calibration until after all of the core supplies have ramped above 3.135V. This can be achieved by delaying the PD# low-to-high transition with one of the methods described in [Power Up From Split-Supply Rails](#).

If any core supply cannot ramp above 3.135V before the PD# low-to-high transition, issuing a device soft-reset after all core supplies have ramped is acceptable to manually trigger the VCO calibration and PLL start-up sequence.

#### 8.1.7 Slow or Delayed XO Start-Up

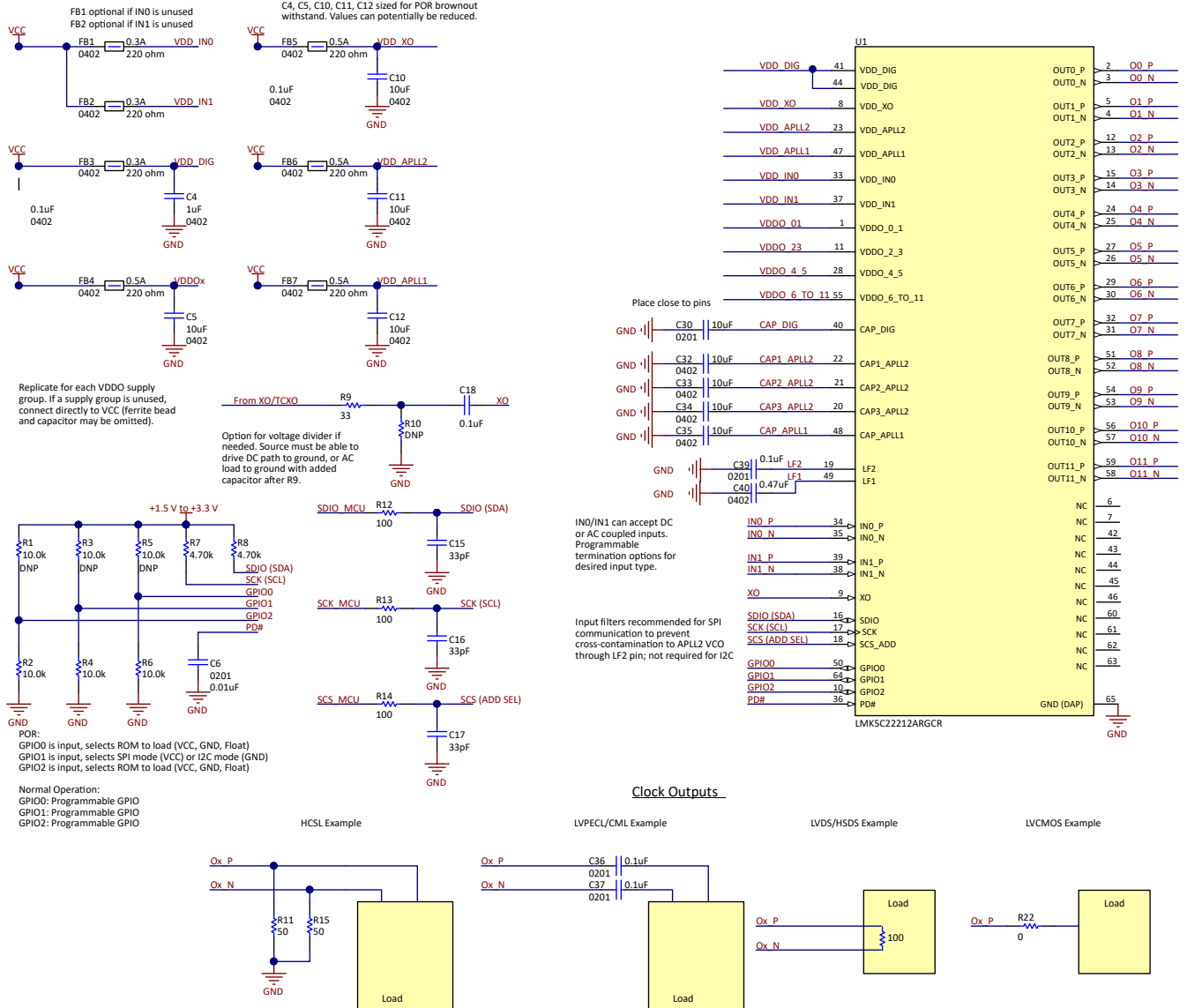
Because the external XO clock input is used as the reference input for the BAW APLL and conventional APLL calibration, the XO input amplitude and frequency must be stable before the start of VCO calibration to provide successful PLL lock and output start-up. If the XO clock is not stable prior to VCO calibration, the VCO calibration can fail and prevent PLL lock and output clock start-up.

If the XO clock has a slow start-up time or has glitches on power-up (due to a slow or non-monotonic power supply ramp, for example), TI recommends to delay the start of VCO calibration until after the XO is stable. This can be achieved by delaying the PD# low-to-high transition until after the XO clock has stabilized using one of the methods described in [Power Up From Split-Supply Rails](#). Issuing a device soft-reset is also possible after the XO clock has stabilized to manually trigger the VCO calibration and PLL start-up sequence.

The BAW APLL/VCBO is factory calibrated and is not sensitive to an invalid XO reference start-up. Upon a valid XO reference, the BAW APLL/VCBO can acquire lock. When the BAW APLL/VCBO is used in conjunction with the paired DPLL, the XO must be valid before the paired DPLL reference is validated.

## 8.2 Typical Application

[Figure 8-3](#) shows a reference schematic to help implement the LMK5C22212A and the peripheral circuitry. Power filtering examples are given for the core supply pins and independent output supply pins. Single-ended LVCMOS, LVDS, HSDS, AC-LVPECL, and HCSL clock interfacing examples are shown for the clock input and output pins. An external CMOS oscillator drives an AC-coupled voltage divider network as an example to interface the 3.3V LVCMOS output to meet the input voltage swing specified for the XO input. The XO pin of the LMK5C22212A can accept 3.3V LVCMOS input. The required external capacitors are placed close to the LMK5C22212A and are shown with the suggested values. External pullup and pulldown resistor options at the logic I/O pins set the default input states. The I<sup>2</sup>C or SPI pins and other logic I/O pins can be connected to a host device (not shown) to program and control the LMK5C22212A and monitor the status.



**Figure 8-3. Reference Schematic Example**

**ADVANCE INFORMATION**

### 8.2.1 Design Requirements

In a typical application, consider the following design requirements or parameters to implement the overall clock solution:

1. Device initial configuration. The device must be configured as either host programmed (MCU or FPGA) or factory preprogrammed.
2. Device interface, set GPIO1 as desired for I<sup>2</sup>C or SPI communications interface.
3. XO frequency, signal type, and frequency accuracy and stability. Consider a high-stability TCXO or OCXO for the XO input if any of the following is required:
  - a. Standard-compliant frequency stability (such as SyncE, SONET/SDH, IEEE 1588)
  - b. Lowest possible close-in phase noise at offsets  $\leq 100\text{Hz}$
  - c. Narrow DPLL bandwidth  $\leq 10\text{Hz}$
4. For each DPLL/APLL domain, determine the following:
  - a. Input clocks: frequency, buffer mode, priority, and input selection mode
  - b. APLL reference: another VCO with Cascaded mode, or XO for Non-cascaded mode
  - c. Output clocks: frequency, buffer mode
  - d. DPLL loop bandwidth and maximum TDC frequency
  - e. If the DCO Mode or ZDM is required
5. Input clock and PLL monitoring options
6. Status outputs and interrupt flag
7. Power supply rails

### 8.2.2 Detailed Design Procedure

In a typical application, TI recommends the following steps:

1. Use the device GUI in the TICS Pro programming software for a step-by-step design flow to enter the design parameters, calculate the frequency plan for each PLL domain, and generate the register settings for the desired configuration. The register settings can be exported (registers hex dump in .txt format) to enable host programming.
  - A host device can program the register settings through the serial interface after power-up and issue a soft-reset (by SWRST bit) to start the device. Set SW\_SYNC before, and clear after SWRST.
2. Tie the GPIO1 pin to ground to select the I<sup>2</sup>C communications interface, or pull up GPIO1 high to VDD\_DIG through an external resistor to select the SPI communications interface. Determine the logic I/O pin assignments for control and status functions. See [GPIO1 and SCS\\_ADD Functionalities](#).
  - Connect I<sup>2</sup>C/SPI and logic I/O pins (1.8V compatible levels) to the host device pins with the proper I/O direction and voltage levels.
3. Select an XO frequency by following [Oscillator Input \(XO\)](#).
  - Choose an XO with target phase jitter performance that meets the frequency stability and accuracy requirements required for the output clocks during free-run or holdover.
  - The LMK5C22212A can directly accept a 3.3V LVCMOS input into the XO pin.
  - Power the XO from a low-noise LDO regulator or optimize the power filtering to avoid supply noise-induced jitter on the XO clock.
  - **TICS Pro:** Configure the XO frequency to match the XO input.

4. Wire the clock I/O for each APLL domain in the schematic and use TICS Pro to configure the device settings as follows:
- Reference inputs: Follow the LVCMOS or differential clock input interface guidelines in [Clock Input Interfacing and Termination](#).
    - **TICS Pro:** For DPLL mode, configure the reference input buffer modes to match the reference clock driver interface requirements. See [Reference Inputs](#).
  - **TICS Pro:** For DPLL mode, configure the DPLL input selection modes and input priorities. See [Reference Input Mux Selection](#).
  - **TICS Pro:** Configure each APLL reference from other VCO domain (Cascaded mode) or XO clock (Non-cascaded mode).
  - **TICS Pro:** Configure each output with the required clock frequency and APLL domain. TICS Pro can calculate the VCO frequencies and divider settings for the APLL and outputs. Consider the following output clock assignment guidelines to minimize crosstalk and spurs:
    - OUT[0:1] bank can select any APLL clocks, XO, and DPLL references.
    - OUT[2:3], OUT[4:5], and OUT[6:11] banks can source either APLL1 or APLL2 clocks.
    - Group identical output frequencies (or harmonic frequencies) on adjacent channels, and use the output pairs with a single divider (for example, OUT2/3) when possible to minimize power.
    - Separate clock outputs when the difference of the two frequencies,  $|f_{OUTx} - f_{OUTy}|$ , falls within the jitter integration bandwidth (for example, 12kHz to 20MHz). Any outputs that are potential aggressors must be separated by at least four static pins (power pin, logic pin, or disabled output pins) to minimize potential coupling. If possible, separate these clocks by the placing them on opposite output banks, which are on opposite sides of the chip for best isolation.
    - Avoid or isolate any LVCMOS output (strong aggressor) from other jitter-sensitive differential output clocks. If an LVCMOS output is required, use dual complementary LVCMOS mode (+/- or -/+) with the unused LVCMOS output left floating with no trace.
    - If not all outputs pairs are used in the application, consider connecting an unused output to a pair of RF coaxial test structures for testing purposes (such as SMA, SMP ports).
  - **TICS Pro:** Configure the output drivers.
    - Configure the output driver modes to match the receiver clock input interface requirements. See [Clock Outputs](#).
    - Configure any output SYNC groups that need the output phases synchronized. See [Output Synchronization \(SYNC\)](#).
    - Configure the output auto-mute modes, and APLL and DPLL mute options. See [Output Auto-Mute During LOL](#).
  - Clock output Interfacing: Follow the single-ended or differential clock output interface guidelines in [Clock Output Interfacing and Termination](#).
    - Differential outputs can be AC-coupled and terminated and biased at the receiver inputs, or DC-coupled with proper receivers
    - LVCMOS outputs have internal source termination to drive 50Ω traces directly. LVCMOS  $V_{OH}$  level is determined by internal LDO programmed voltage (1.8V or 2.65V).
  - **TICS Pro:** Configure the DPLL loop bandwidth.
    - Below the loop bandwidth, the reference noise is added to the TDC noise floor and the XO/TCXO/OCXO noise. Above the loop bandwidth, the reference noise is attenuated with roll-off up to 60dB/decade. The optimal bandwidth depends on the relative phase noise between the reference input and the XO. The APLL loop bandwidth can be configured to provide additional attenuation of the reference input, TDC, and XO phase noise above the APLL bandwidth.
  - **TICS Pro:** Configure the maximum TDC frequency to optimize the DPLL TDC noise contribution for the desired use case.
    - *Wired:* A 400kHz maximum TDC rate is commonly specified. This supports SyncE and other use cases using a narrow loop bandwidth ( $\leq 10$ Hz) with a TCXO/OCXO/XO to set the frequency stability and wander performance.
    - *Wireless:* A 26MHz maximum TDC rate is commonly specified for lowest in-band TDC noise contribution. This supports wireless and other use cases where close-in phase noise is critical.



- **TICS Pro:** If clock steering is needed (such as for IEEE-1588 PTP), enable DCO mode for the DPLL loop and enter the frequency step size (in ppb). The FDEV step register is computed according to [APLL DCO Frequency Step Size](#). Enable the FDEV\_TRIG and FDEV\_DIR pin control on the GPIO pins if needed.
  - **TICS Pro:** If deterministic input-to-output clock phase is needed, enable the ZDM as required on OUT0, OUT4, or OUT10. See [Section 7.3.19](#).
5. **TICS Pro:** Configure the reference input monitoring options for each reference input. Disable the monitor when not required or when the input operates beyond the monitor's supported frequency range. See [Reference Input Monitoring](#).
    - *Frequency monitor:* Set the valid and invalid thresholds (in ppm).
    - *Missing pulse monitor:* Set the late window threshold ( $T_{LATE}$ ) to allow for the longest expected input clock period, including worst-case cycle-to-cycle jitter. For a gapped clock input, set  $T_{LATE}$  based on the number of allowable missing clock pulses.
    - *Runt pulse monitor:* Set the early window threshold ( $T_{EARLY}$ ) to allow for the shortest expected input clock period, including worst-case cycle-to-cycle jitter.
    - *1PPS Phase validation monitor:* Set the phase validation jitter threshold, including worst-case input cycle-to-cycle jitter.
    - *Validation timer:* Set the amount of time the reference input must be qualified by all enabled input monitors before the input is valid for selection.
  6. **TICS Pro:** Configure the DPLL lock detect and tuning word history monitoring options for each channel. See [PLL Lock Detectors](#) and [Tuning Word History](#).
    - *DPLL frequency lock and phase lock detectors:* Set the lock and unlock thresholds for each detector.
  7. **TICS Pro:** Configure each status output pin and interrupt flag as needed. See [Status Outputs](#) and [Interrupt](#).
    - Select the desired status signal selection, status polarity, and driver mode (3.3V LVCMOS or open-drain). Open-drain requires an external pullup resistor.
    - If the Interrupt is enabled and selected as a status output, configure the flag polarity and the mask bits for any interrupt source, and the combinational OR gate, as needed.
  8. Consider the following guidelines for designing the power supply:
    - Outputs with identical frequency or integer-related (harmonic) frequencies can share a common filtered power supply.
      - Example: 156.25MHz and 312.5MHz outputs on OUT[4:5] and OUT[6:7] can share a filtered VDDO supply, while 100MHz, 50MHz, and 25MHz outputs on OUT[0:1] and OUT[2:3] can share a separate VDDO supply.
    - See [Power Rail Sequencing, Power Supply Ramp Rate, and Mixing Supply Domains](#).



### 8.2.3 Application Curves

Refer to the [Typical Characteristics](#) section for phase noise plots as outlined in the [Table 8-3](#).

**Table 8-3. Table of Graphs**

| Output Frequency [MHz] | Output Format | APLL Source             | Link to Graph      |
|------------------------|---------------|-------------------------|--------------------|
| 491.52MHz              | HSDS          | BAW                     | <a href="#">Go</a> |
| 245.76MHz              | HSDS          | BAW                     | <a href="#">Go</a> |
| 122.88MHz              | HSDS          | BAW                     | <a href="#">Go</a> |
| 312.5MHz               | HSDS          | Conventional LC (APLL2) | <a href="#">Go</a> |
| 322.265625MHz          | HSDS          | Conventional LC (APLL2) | <a href="#">Go</a> |
| 212.5MHz               | HSDS          | Conventional LC (APLL2) | <a href="#">Go</a> |
| 161.1328125MHz         | HSDS          | Conventional LC (APLL2) | <a href="#">Go</a> |
| 155.52MHz              | HSDS          | Conventional LC (APLL2) | <a href="#">Go</a> |
| 153.6MHz               | HSDS          | Conventional LC (APLL2) | <a href="#">Go</a> |

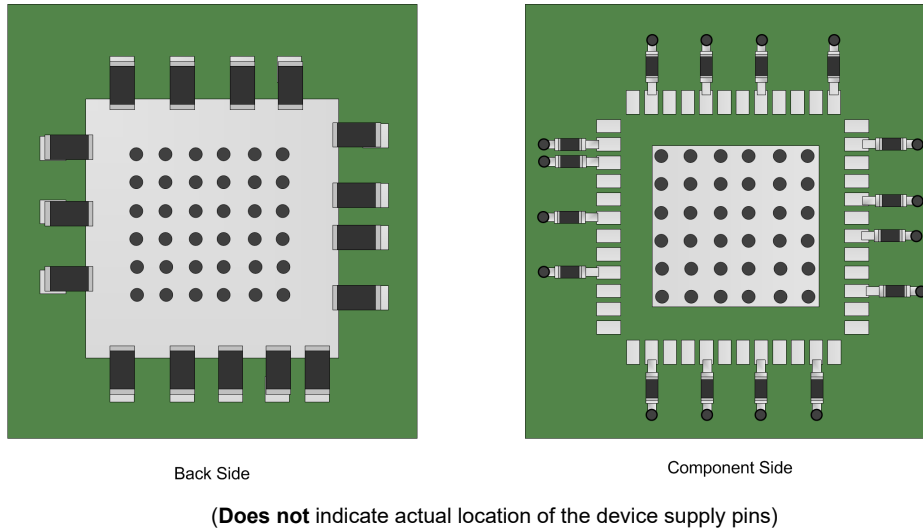
### 8.3 Best Design Practices

- Power down unused blocks through registers to minimize power consumption.
- Use proper source or load terminations to match the impedance of input and output clock traces for any active signals to/from the device.
- Leave unused clock outputs floating and powered down through register control.
- Leave unused clock inputs floating.
- If needed, external biasing resistors (10kΩ pullup to 3.3V or 10kΩ pulldown) can be connected on each GPIO pin to select device operation mode during POR.
- Consider routing each GPIO pin to a test point or high-impedance input of a host device to monitor device status outputs.
- Consider using a LDO regulator to power the external XO/TCXO/OCXO source.
  - High jitter and spurious on the oscillator clock are often caused by high spectral noise and ripple on the power supply.
- Include dedicated header to access the I<sup>2</sup>C or SPI of the device, as well as a header pin for ground.
  - This can be enabled off-board programming for device bring-up, prototyping, and diagnostics using the TI USB2ANY interface and TICS Pro software tools.

### 8.4 Power Supply Recommendations

#### 8.4.1 Power Supply Bypassing

[Figure 8-4](#) shows two general placements of power supply bypass capacitors on either the back side or the component side of the PCB. If the capacitors are mounted on the back side, 0402 components can be employed. For component side mounting, use 0201 body size capacitors to facilitate signal routing. A combination of component side and back side placement can be used. Keep the connections between the bypass capacitors and the power supply on the device as short as possible. Ground the other side of the capacitor using a low-impedance connection to the ground plane.



**Figure 8-4. Generalized Placement of Power Supply Bypass Capacitors**

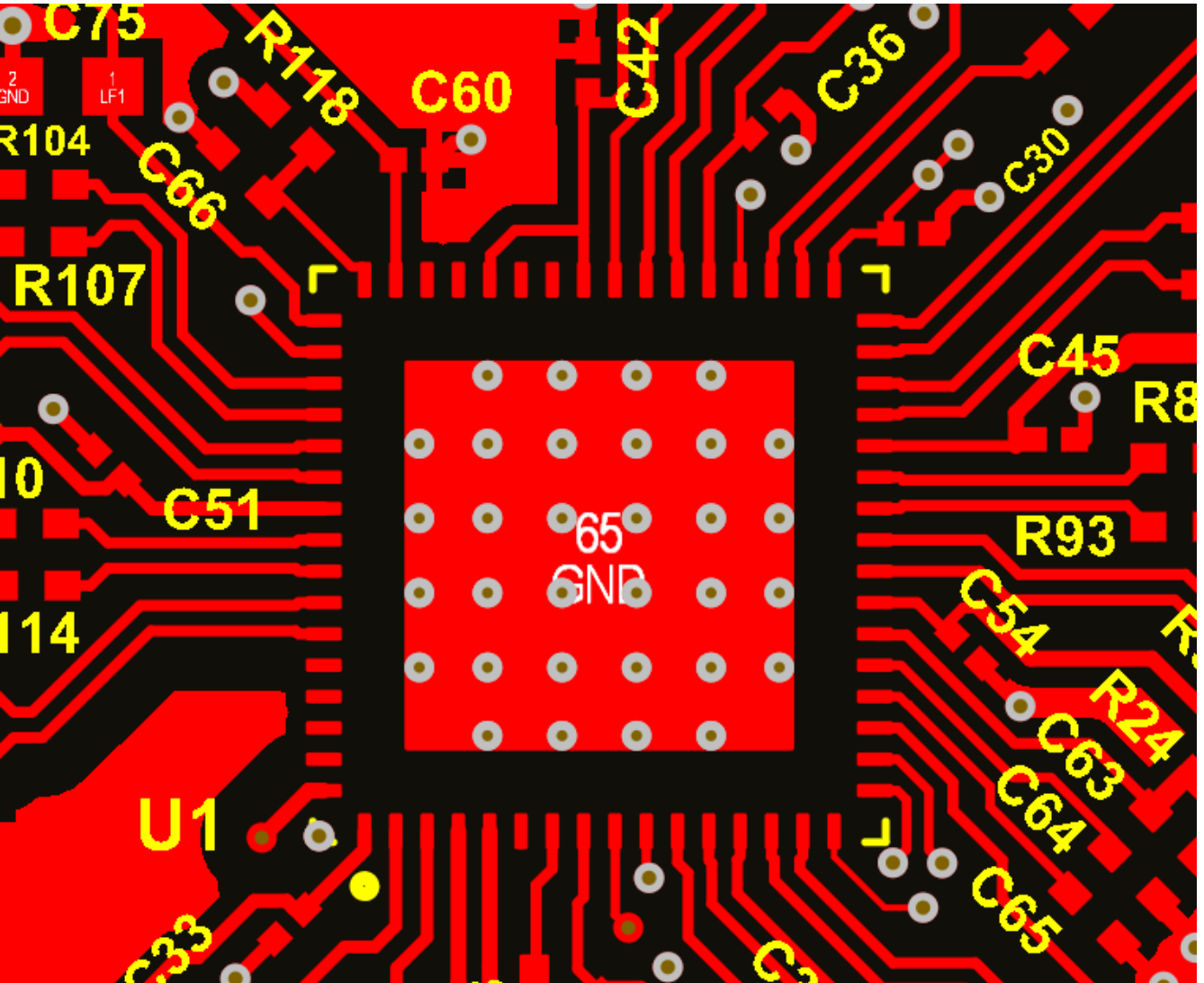
## 8.5 Layout

### 8.5.1 Layout Guidelines

- Isolate input, XO/OCXO/TCXO and output clocks from adjacent clocks with different frequencies and other nearby dynamic signals.
- Consider the XO/OCXO/TCXO placement and layout in terms of the supply/ground noise and thermal gradients from nearby circuitry (for example, power supplies, FPGA, ASIC) as well as system-level vibration and shock. These factors can affect the frequency stability/accuracy and transient performance of the oscillator.
- Avoid impedance discontinuities on controlled-impedance 50- $\Omega$  single-ended (or 100- $\Omega$  differential) traces for clock and dynamic logic signals.
- Place bypass capacitors close to the VDD and VDDO pins on the same side as the IC, or directly below the IC pins on the opposite side of the PCB. Larger decoupling capacitor values can be placed further away.
- Place external capacitors close to the CAP\_x and LFX pins.
- Use multiple vias to connect wide supply traces to the respective power islands or planes if possible.
- Use at least a 6x6 through-hole via pattern to connect the IC ground/thermal pad to the PCB ground planes.
- See the Land Pattern Example, Solder Mask Details, and Solder Paste Example in [Section 11](#).

### 8.5.2 Layout Example

Below are printed circuit board (PCB) layout examples that show the application of thermal design practices and a low-inductance ground connection between the device DAP and the PCB. Place the ground return path for the supply decoupling capacitors close to the DAP. All OUTx pairs configured as differential signals must be routed differentially and meet the trace impedance requirements (typically 100 ohm differential).



ADVANCE INFORMATION

Figure 8-5. PCB Layout Example for LMK5C22212A , Top Layer

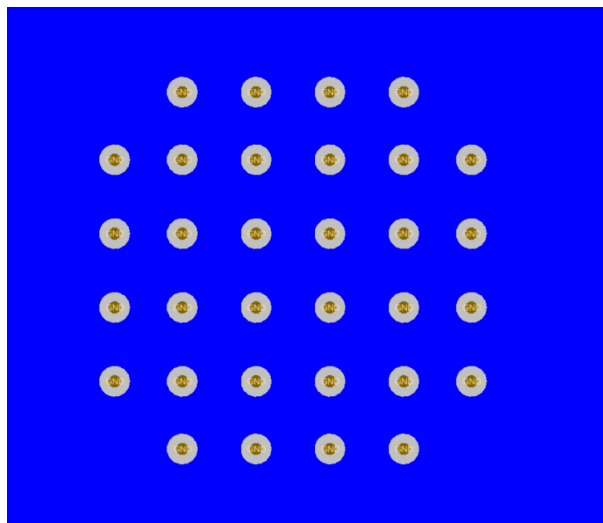


Figure 8-6. PCB Layout Example for LMK5C22212A , Bottom Layer

### 8.5.3 Thermal Reliability

The LMK5C22212A is a high-performance device. To provide good electrical and thermal performance, TI recommends to design a thermally-enhanced interface between the IC ground or thermal pad and the PCB ground using at least a 6×6 through-hole through pattern connected to multiple PCB ground layers (see [Figure 8-7](#)).

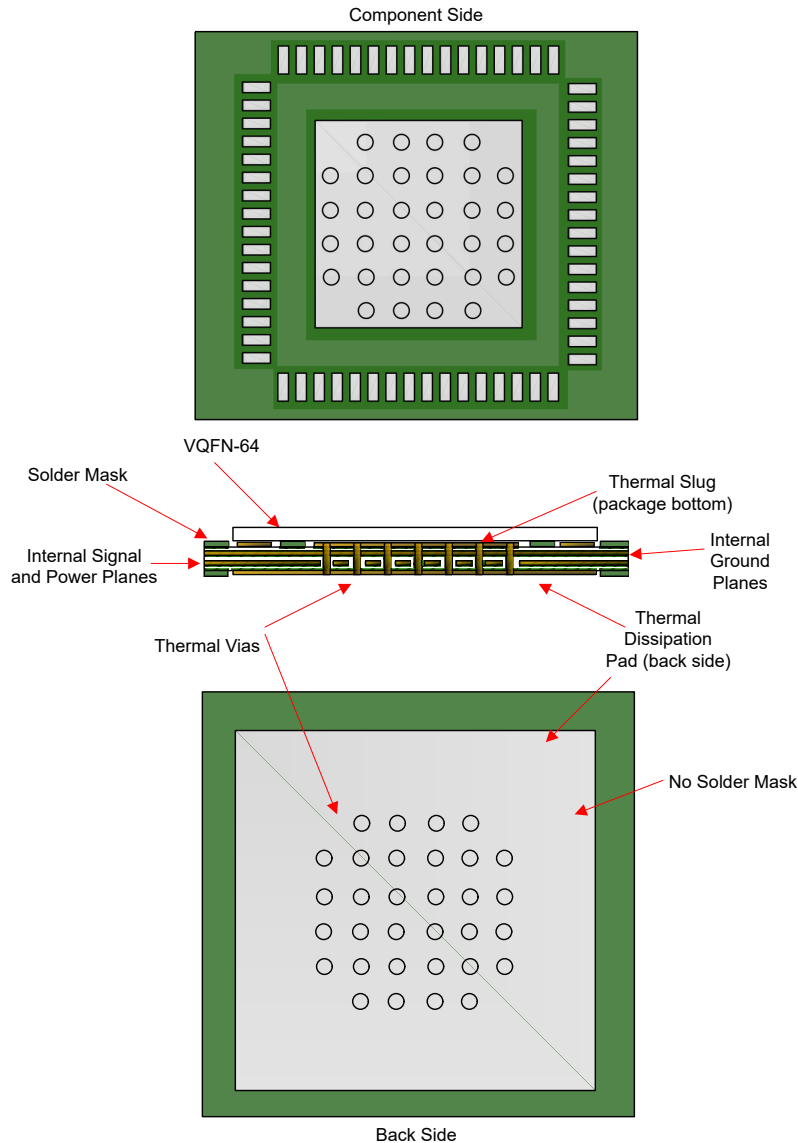


Figure 8-7. General PCB Ground Layout for Thermal Reliability (8+ Layers Recommended)

## 9 Device and Documentation Support

### 9.1 Documentation Support

#### 9.1.1 Related Documentation

For related documentation see the following:

- Texas Instruments, [LMK5C22212A EVM User's Guide](#)

## 9.2 Receiving Notification of Documentation Updates

To receive notification of documentation updates, navigate to the device product folder on [ti.com](http://ti.com). Click on *Notifications* to register and receive a weekly digest of any product information that has changed. For change details, review the revision history included in any revised document.

## 9.3 Support Resources

[TI E2E™ support forums](#) are an engineer's go-to source for fast, verified answers and design help — straight from the experts. Search existing answers or ask your own question to get the quick design help you need.

Linked content is provided "AS IS" by the respective contributors. They do not constitute TI specifications and do not necessarily reflect TI's views; see TI's [Terms of Use](#).

## 9.4 Trademarks

TI E2E™ is a trademark of Texas Instruments.  
All trademarks are the property of their respective owners.

## 9.5 Glossary

[TI Glossary](#) This glossary lists and explains terms, acronyms, and definitions.

## 9.6 Electrostatic Discharge Caution



This integrated circuit can be damaged by ESD. Texas Instruments recommends that all integrated circuits be handled with appropriate precautions. Failure to observe proper handling and installation procedures can cause damage.

ESD damage can range from subtle performance degradation to complete device failure. Precision integrated circuits may be more susceptible to damage because very small parametric changes could cause the device not to meet its published specifications.

## 10 Revision History

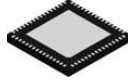
NOTE: Page numbers for previous revisions may differ from page numbers in the current version.

| DATE          | REVISION | NOTES           |
|---------------|----------|-----------------|
| November 2024 | *        | Initial Release |

## 11 Mechanical, Packaging, and Orderable Information

The following pages include mechanical, packaging, and orderable information. This information is the most current data available for the designated devices. This data is subject to change without notice and revision of this document. For browser-based versions of this data sheet, refer to the left-hand navigation.

**RGC0064E**

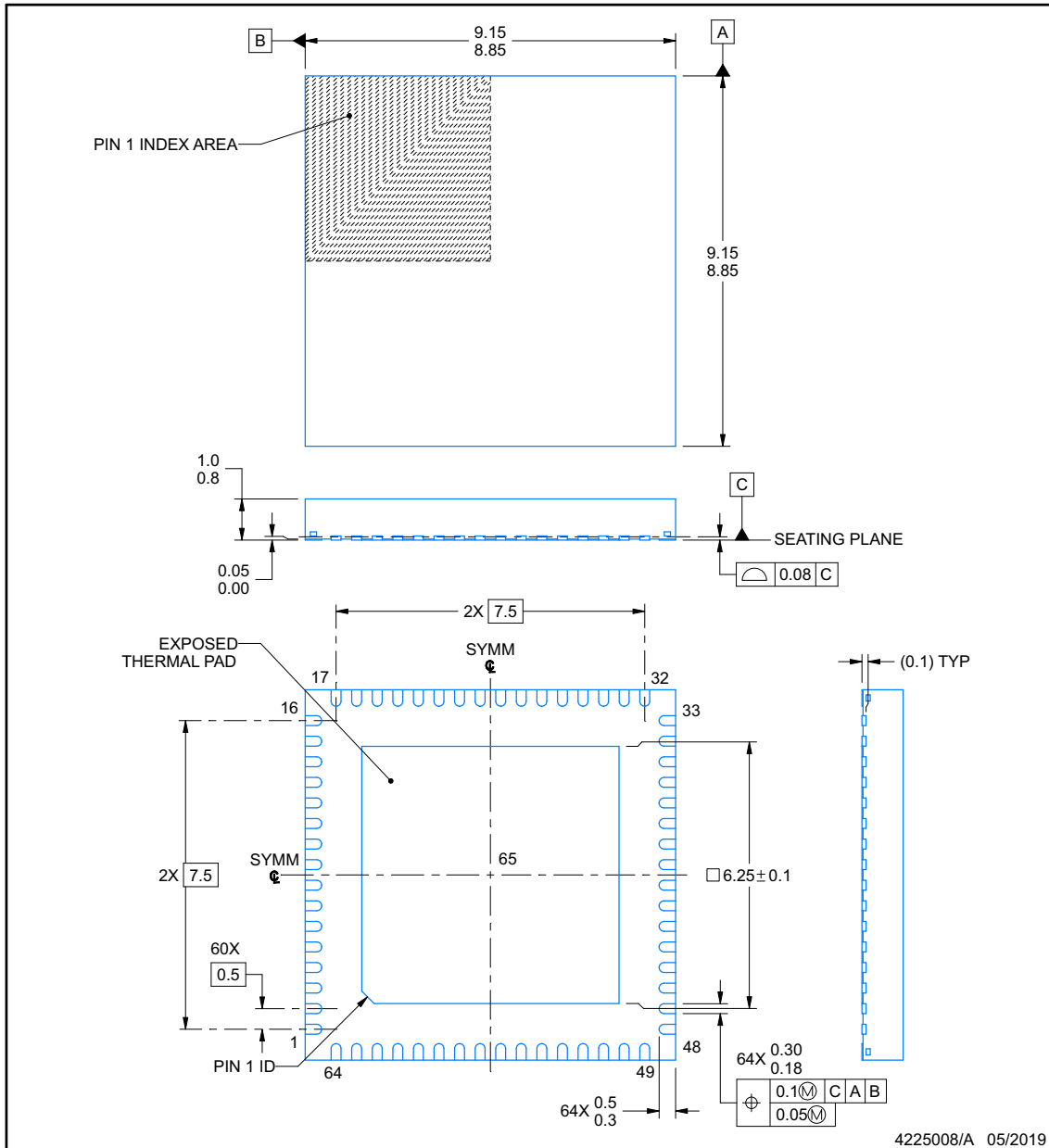


**PACKAGE OUTLINE**

**VQFN - 1 mm max height**

PLASTIC QUAD FLATPACK - NO LEAD

**ADVANCE INFORMATION**



**NOTES:**

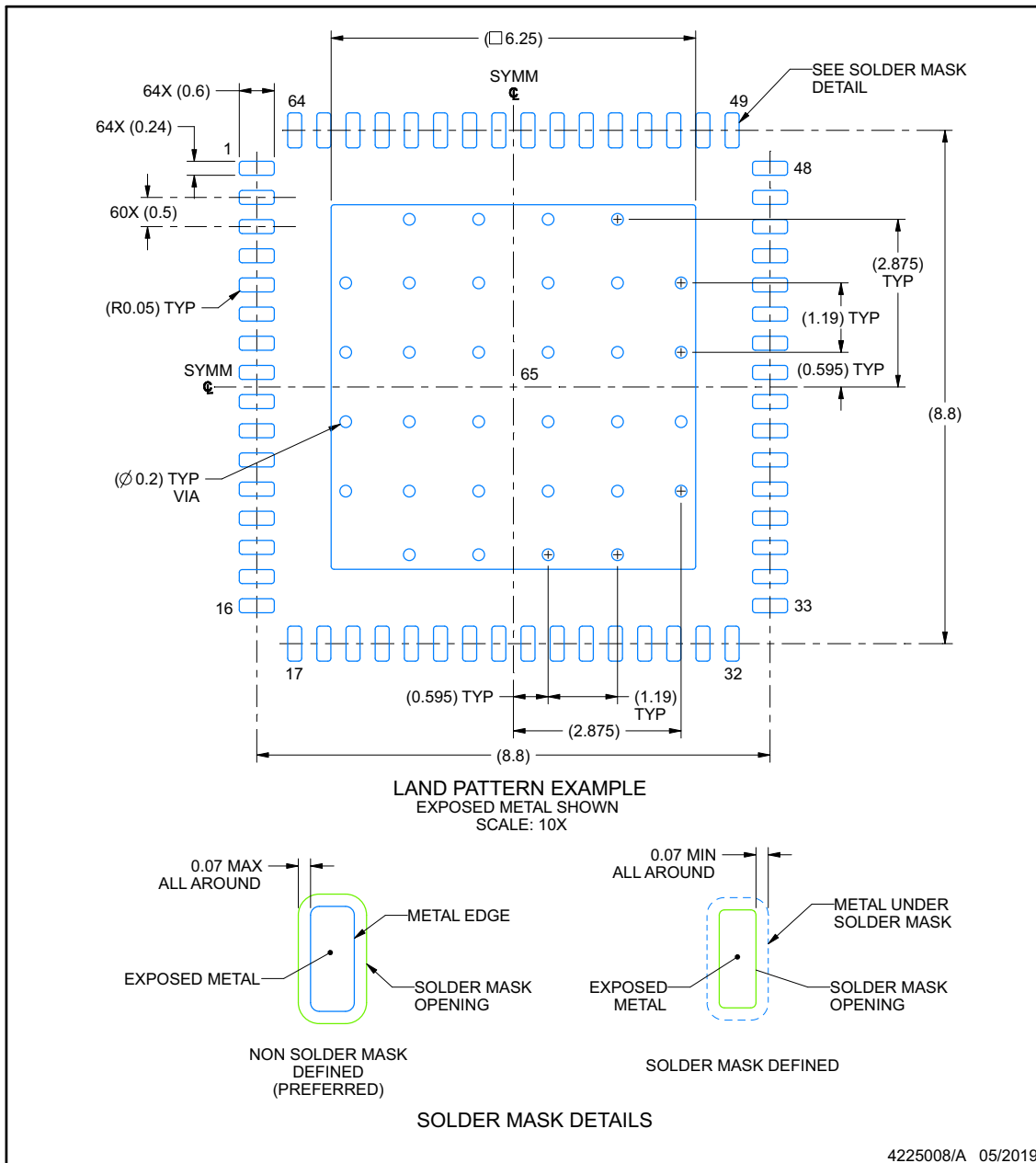
1. All linear dimensions are in millimeters. Any dimensions in parenthesis are for reference only. Dimensioning and tolerancing per ASME Y14.5M.
2. This drawing is subject to change without notice.
3. The package thermal pad must be soldered to the printed circuit board for thermal and mechanical performance.

## EXAMPLE BOARD LAYOUT

**RGC0064E**

**VQFN - 1 mm max height**

PLASTIC QUAD FLATPACK - NO LEAD



NOTES: (continued)

- This package is designed to be soldered to a thermal pad on the board. For more information, see Texas Instruments literature number SLUA271 ([www.ti.com/lit/sluea271](http://www.ti.com/lit/sluea271)).
- Vias are optional depending on application, refer to device data sheet. If any vias are implemented, refer to their locations shown on this view. It is recommended that vias under paste be filled, plugged or tented.

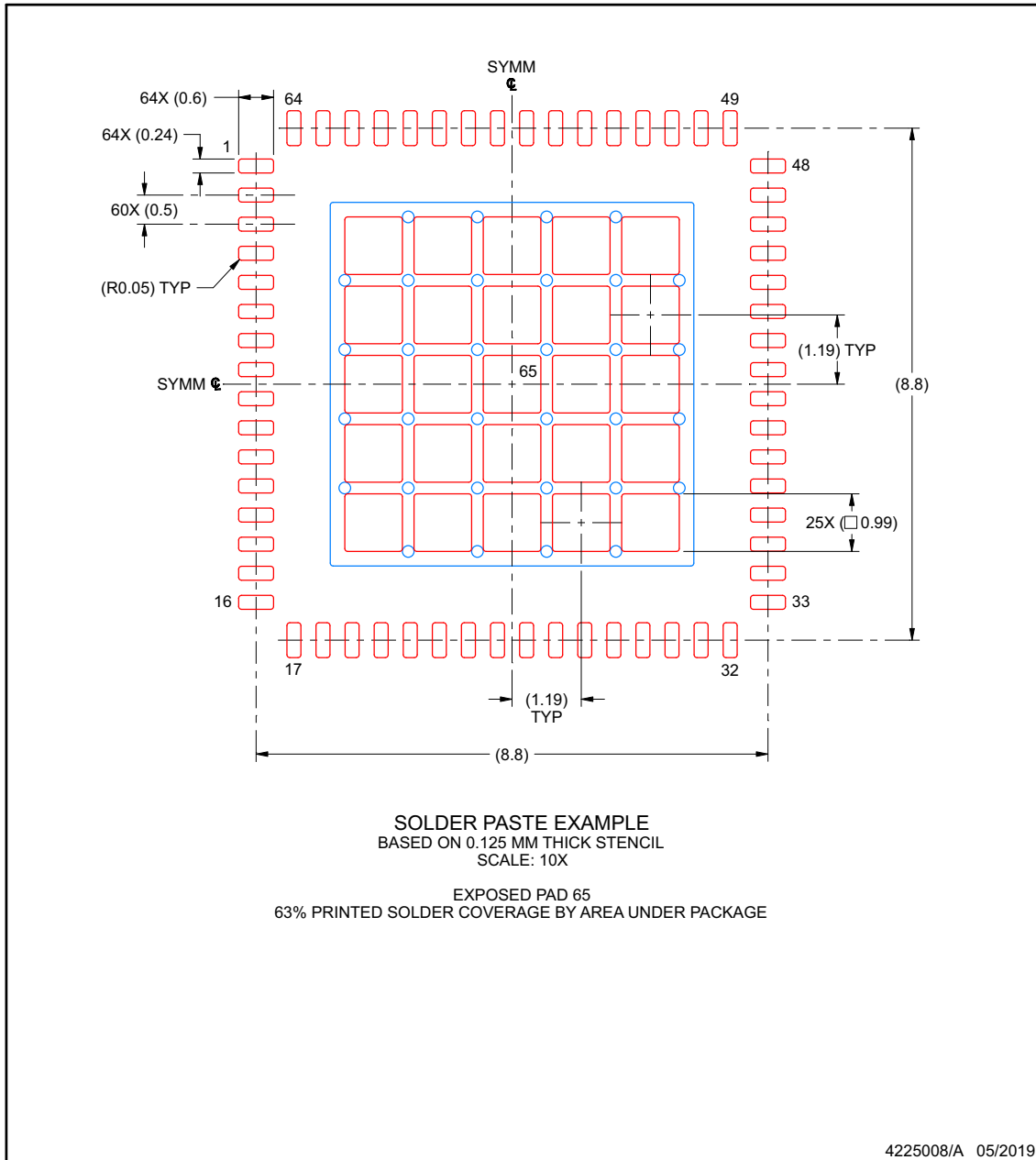
## EXAMPLE STENCIL DESIGN

**RGC0064E**

**VQFN - 1 mm max height**

PLASTIC QUAD FLATPACK - NO LEAD

**ADVANCE INFORMATION**



NOTES: (continued)

- Laser cutting apertures with trapezoidal walls and rounded corners may offer better paste release. IPC-7525 may have alternate design recommendations.



**PACKAGING INFORMATION**

| Orderable part number           | Status<br>(1) | Material type<br>(2) | Package   Pins  | Package qty   Carrier | RoHS<br>(3) | Lead finish/<br>Ball material<br>(4) | MSL rating/<br>Peak reflow<br>(5) | Op temp (°C) | Part marking<br>(6) |
|---------------------------------|---------------|----------------------|-----------------|-----------------------|-------------|--------------------------------------|-----------------------------------|--------------|---------------------|
| LMK5C22212ARGCR                 | Active        | Production           | VQFN (RGC)   64 | 2500   LARGE T&R      | Yes         | NIPDAU                               | Level-3-260C-168 HR               | -40 to 85    | LK5C22212A          |
| LMK5C22212ARGCR.A               | Active        | Production           | VQFN (RGC)   64 | 2500   LARGE T&R      | Yes         | NIPDAU                               | Level-3-260C-168 HR               | -40 to 85    | LK5C22212A          |
| LMK5C22212ARGCR.B               | Active        | Production           | VQFN (RGC)   64 | 2500   LARGE T&R      | -           | Call TI                              | Call TI                           | -40 to 85    |                     |
| <a href="#">LMK5C22212ARGCT</a> | Active        | Production           | VQFN (RGC)   64 | 250   SMALL T&R       | Yes         | NIPDAU                               | Level-3-260C-168 HR               | -40 to 85    | LK5C22212A          |
| LMK5C22212ARGCT.A               | Active        | Production           | VQFN (RGC)   64 | 250   SMALL T&R       | Yes         | NIPDAU                               | Level-3-260C-168 HR               | -40 to 85    | LK5C22212A          |
| LMK5C22212ARGCT.B               | Active        | Production           | VQFN (RGC)   64 | 250   SMALL T&R       | -           | Call TI                              | Call TI                           | -40 to 85    |                     |

(1) **Status:** For more details on status, see our [product life cycle](#).

(2) **Material type:** When designated, preproduction parts are prototypes/experimental devices, and are not yet approved or released for full production. Testing and final process, including without limitation quality assurance, reliability performance testing, and/or process qualification, may not yet be complete, and this item is subject to further changes or possible discontinuation. If available for ordering, purchases will be subject to an additional waiver at checkout, and are intended for early internal evaluation purposes only. These items are sold without warranties of any kind.

(3) **RoHS values:** Yes, No, RoHS Exempt. See the [TI RoHS Statement](#) for additional information and value definition.

(4) **Lead finish/Ball material:** Parts may have multiple material finish options. Finish options are separated by a vertical ruled line. Lead finish/Ball material values may wrap to two lines if the finish value exceeds the maximum column width.

(5) **MSL rating/Peak reflow:** The moisture sensitivity level ratings and peak solder (reflow) temperatures. In the event that a part has multiple moisture sensitivity ratings, only the lowest level per JEDEC standards is shown. Refer to the shipping label for the actual reflow temperature that will be used to mount the part to the printed circuit board.

(6) **Part marking:** There may be an additional marking, which relates to the logo, the lot trace code information, or the environmental category of the part.

Multiple part markings will be inside parentheses. Only one part marking contained in parentheses and separated by a "~" will appear on a part. If a line is indented then it is a continuation of the previous line and the two combined represent the entire part marking for that device.

**Important Information and Disclaimer:**The information provided on this page represents TI's knowledge and belief as of the date that it is provided. TI bases its knowledge and belief on information provided by third parties, and makes no representation or warranty as to the accuracy of such information. Efforts are underway to better integrate information from third parties. TI has taken and continues to take reasonable steps to provide representative and accurate information but may not have conducted destructive testing or chemical analysis on incoming materials and chemicals. TI and TI suppliers consider certain information to be proprietary, and thus CAS numbers and other limited information may not be available for release.

In no event shall TI's liability arising out of such information exceed the total purchase price of the TI part(s) at issue in this document sold by TI to Customer on an annual basis.



**TRAY**


Chamfer on Tray corner indicates Pin 1 orientation of packed units.

\*All dimensions are nominal

| Device            | Package Name | Package Type | Pins | SPQ  | Unit array matrix | Max temperature (°C) | L (mm) | W (mm) | K0 (µm) | P1 (mm) | CL (mm) | CW (mm) |
|-------------------|--------------|--------------|------|------|-------------------|----------------------|--------|--------|---------|---------|---------|---------|
| LMK5C22212ARGCR   | RGC          | VQFN         | 64   | 2500 | 26 x 10           | 150                  | 315    | 135.9  | 7620    | 11.8    | 10      | 10.35   |
| LMK5C22212ARGCR.A | RGC          | VQFN         | 64   | 2500 | 26 x 10           | 150                  | 315    | 135.9  | 7620    | 11.8    | 10      | 10.35   |
| LMK5C22212ARGCT   | RGC          | VQFN         | 64   | 250  | 26 x 10           | 150                  | 315    | 135.9  | 7620    | 11.8    | 10      | 10.35   |
| LMK5C22212ARGCT.A | RGC          | VQFN         | 64   | 250  | 26 x 10           | 150                  | 315    | 135.9  | 7620    | 11.8    | 10      | 10.35   |

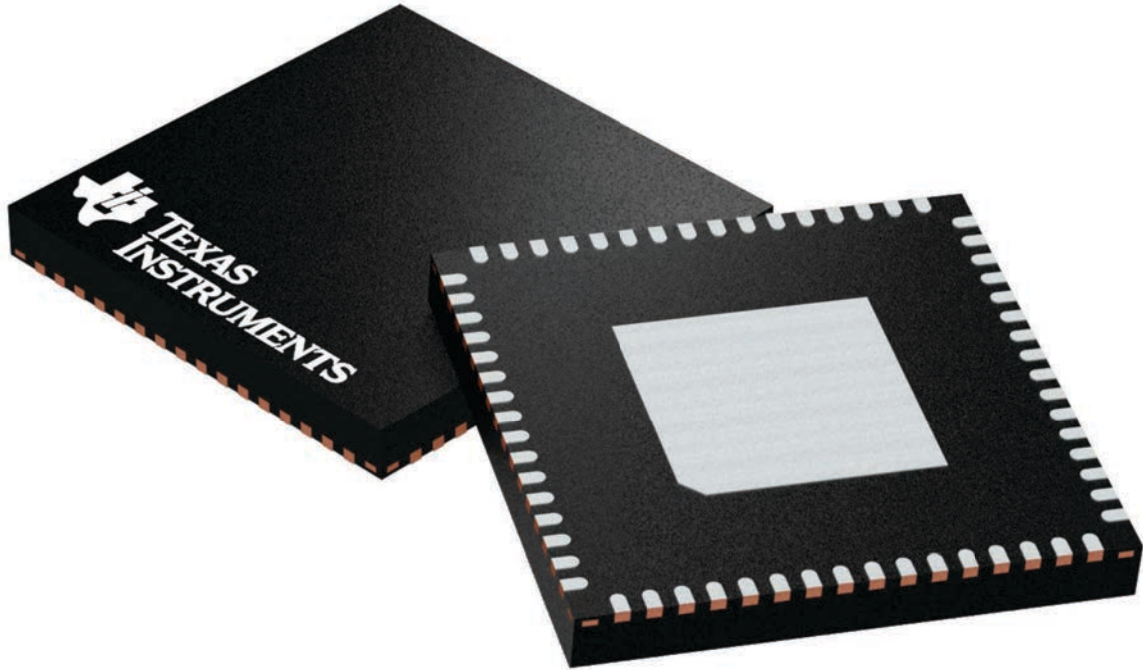
## GENERIC PACKAGE VIEW

**RGC 64**

**VQFN - 1 mm max height**

9 x 9, 0.5 mm pitch

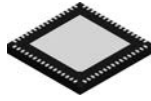
PLASTIC QUAD FLATPACK - NO LEAD



Images above are just a representation of the package family, actual package may vary.  
Refer to the product data sheet for package details.

4224597/A

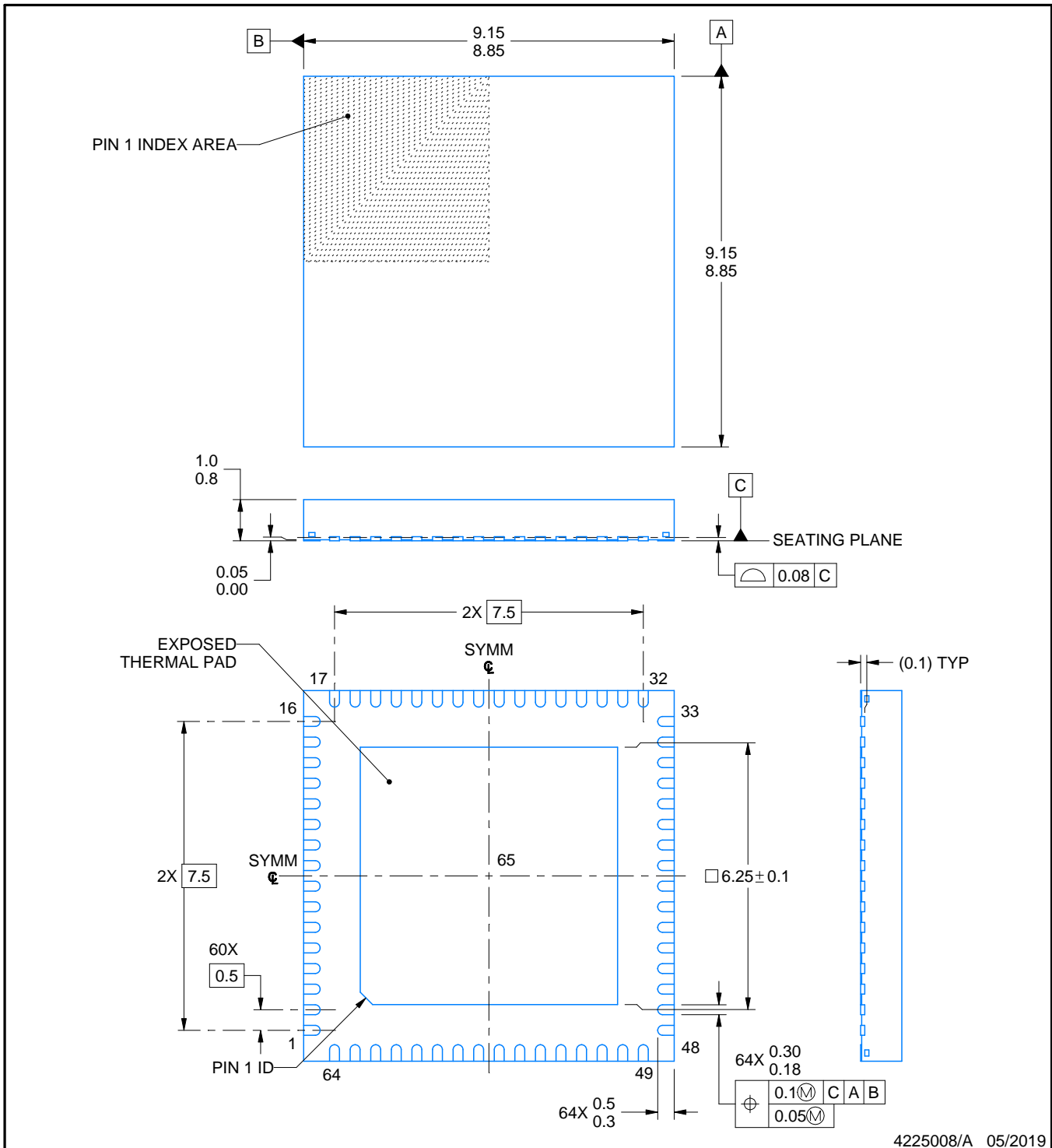
# RGC0064E



## PACKAGE OUTLINE

VQFN - 1 mm max height

PLASTIC QUAD FLATPACK - NO LEAD



4225008/A 05/2019

### NOTES:

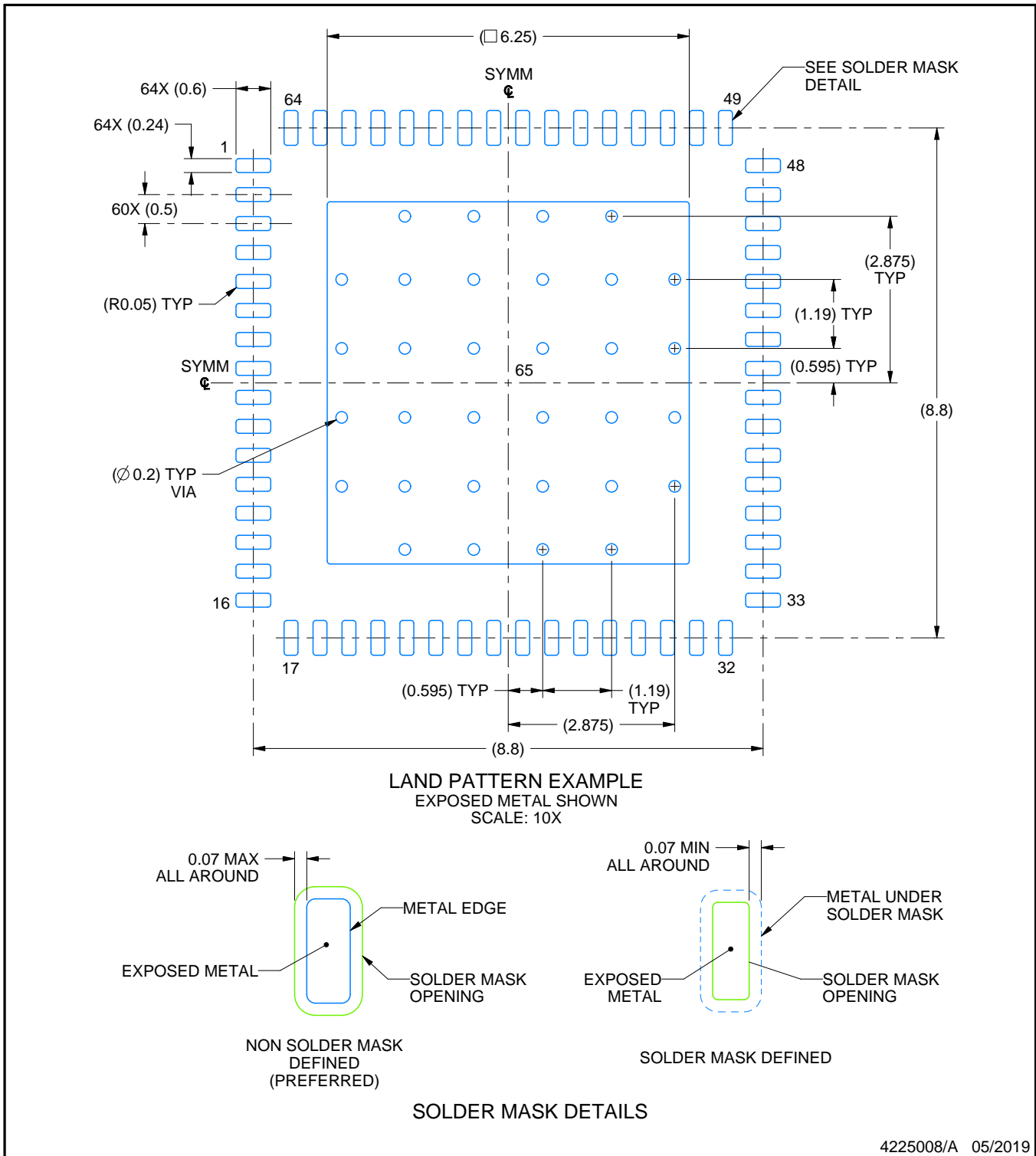
1. All linear dimensions are in millimeters. Any dimensions in parenthesis are for reference only. Dimensioning and tolerancing per ASME Y14.5M.
2. This drawing is subject to change without notice.
3. The package thermal pad must be soldered to the printed circuit board for thermal and mechanical performance.

# EXAMPLE BOARD LAYOUT

**RGC0064E**

**VQFN - 1 mm max height**

PLASTIC QUAD FLATPACK - NO LEAD



NOTES: (continued)

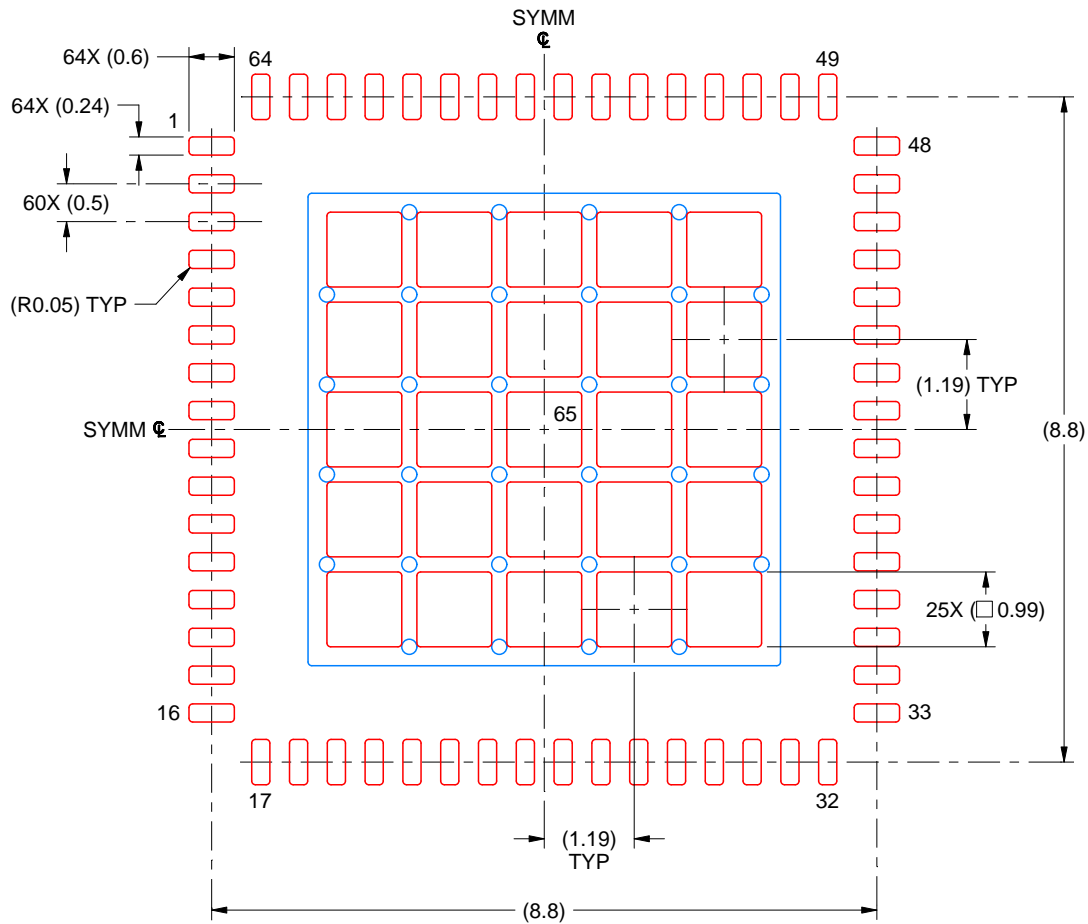
4. This package is designed to be soldered to a thermal pad on the board. For more information, see Texas Instruments literature number SLUA271 ([www.ti.com/lit/sluea271](http://www.ti.com/lit/sluea271)).
5. Vias are optional depending on application, refer to device data sheet. If any vias are implemented, refer to their locations shown on this view. It is recommended that vias under paste be filled, plugged or tented.

# EXAMPLE STENCIL DESIGN

RGC0064E

VQFN - 1 mm max height

PLASTIC QUAD FLATPACK - NO LEAD



SOLDER PASTE EXAMPLE  
BASED ON 0.125 MM THICK STENCIL  
SCALE: 10X

EXPOSED PAD 65  
63% PRINTED SOLDER COVERAGE BY AREA UNDER PACKAGE

4225008/A 05/2019

NOTES: (continued)

6. Laser cutting apertures with trapezoidal walls and rounded corners may offer better paste release. IPC-7525 may have alternate design recommendations.

## IMPORTANT NOTICE AND DISCLAIMER

TI PROVIDES TECHNICAL AND RELIABILITY DATA (INCLUDING DATASHEETS), DESIGN RESOURCES (INCLUDING REFERENCE DESIGNS), APPLICATION OR OTHER DESIGN ADVICE, WEB TOOLS, SAFETY INFORMATION, AND OTHER RESOURCES "AS IS" AND WITH ALL FAULTS, AND DISCLAIMS ALL WARRANTIES, EXPRESS AND IMPLIED, INCLUDING WITHOUT LIMITATION ANY IMPLIED WARRANTIES OF MERCHANTABILITY, FITNESS FOR A PARTICULAR PURPOSE OR NON-INFRINGEMENT OF THIRD PARTY INTELLECTUAL PROPERTY RIGHTS.

These resources are intended for skilled developers designing with TI products. You are solely responsible for (1) selecting the appropriate TI products for your application, (2) designing, validating and testing your application, and (3) ensuring your application meets applicable standards, and any other safety, security, regulatory or other requirements.

These resources are subject to change without notice. TI grants you permission to use these resources only for development of an application that uses the TI products described in the resource. Other reproduction and display of these resources is prohibited. No license is granted to any other TI intellectual property right or to any third party intellectual property right. TI disclaims responsibility for, and you fully indemnify TI and its representatives against any claims, damages, costs, losses, and liabilities arising out of your use of these resources.

TI's products are provided subject to [TI's Terms of Sale](#), [TI's General Quality Guidelines](#), or other applicable terms available either on [ti.com](#) or provided in conjunction with such TI products. TI's provision of these resources does not expand or otherwise alter TI's applicable warranties or warranty disclaimers for TI products. Unless TI explicitly designates a product as custom or customer-specified, TI products are standard, catalog, general purpose devices.

TI objects to and rejects any additional or different terms you may propose.

Copyright © 2025, Texas Instruments Incorporated

Last updated 10/2025