

# LMZ31710 10-A Power Module With 2.95-V to 17-V Input and Current Sharing in QFN Package

## 1 Features

- Complete integrated power solution
  - Small footprint, low-profile design
  - Pin compatible with LMZ31707 and LMZ31704
  - 10-mm × 10-mm × 4.3-mm package
- Efficiencies up to 95%
- Eco-Mode™ and light load efficiency (LLE)
- Wide-output voltage adjust  
0.6 V to 5.5 V, With 1% reference accuracy
- Supports parallel operation for higher current
- Optional split power rail allows input voltage down to 2.95 V
- Adjustable switching frequency (200 kHz to 1.2 MHz)
- Synchronizes to an external clock
- Provides 180° out-of-phase clock signal
- Adjustable slow start
- Output voltage sequencing and tracking
- Power-good output
- Programmable undervoltage lockout (UVLO)
- Overcurrent and overtemperature protection
- Prebias output start-up
- Operating temperature range: –40°C to +85°C
- Enhanced thermal performance: 13.3°C/W
- Meets EN55022 Class B emissions - integrated shielded inductor
- Create a custom design using the LMZ31710 with the [WEBENCH® Power Designer](#)

## 2 Applications

- [Broadband and communications infrastructure](#)
- [Automated test and medical equipment](#)
- [Compact PCI / PCI Express / PXI express](#)
- [DSP and FPGA point-of-load applications](#)

## 3 Description

The LMZ31710 power module is an easy-to-use integrated power solution that combines a 10-A DC/DC converter with power MOSFETs, a shielded inductor, and passives into a low-profile QFN package. This total power solution allows as few as three external components and eliminates the loop compensation and magnetics part selection process.

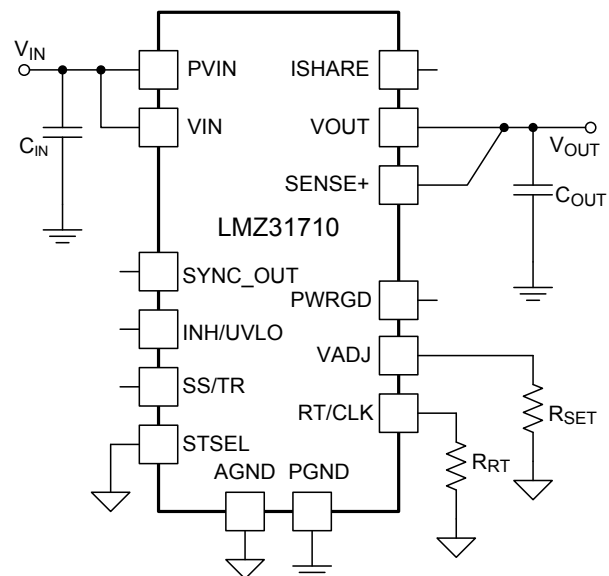
The 10 × 10 × 4.3 mm QFN package is easy to solder onto a printed circuit board and allows a compact point-of-load design. The device achieves greater than 95% efficiency and excellent power dissipation capability with a thermal impedance of 13.3°C/W. The LMZ31710 offers the flexibility and the feature set of a discrete point-of-load design and is ideal for powering a wide range of ICs and systems. Advanced packaging technology affords a robust and reliable power solution compatible with standard QFN mounting and testing techniques.

### Device Information<sup>(1)</sup>

| PART NUMBER | PACKAGE  | BODY SIZE (NOM)     |
|-------------|----------|---------------------|
| LMZ31710    | RVQ (42) | 10.00 mm × 10.00 mm |

(1) For all available packages, see the orderable addendum at the end of the data sheet.

### Simplified Application



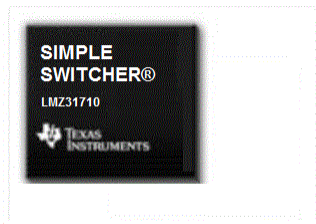
## Table of Contents

|   |           |  |           |
|---|-----------|--|-----------|
| <b>1 Features</b> .....   | <b>1</b>  | <b>8 Application and Implementation</b> .....                    | <b>26</b> |
| <b>2 Applications</b> .....   | <b>1</b>  | 8.1 Application Information.....                                 | 26        |
| <b>3 Description</b> .....  | <b>1</b>  | 8.2 Typical Application .....                                    | 26        |
| <b>4 Revision History</b> .....   | <b>2</b>  | 8.3 Additional Application Schematics .....                      | 27        |
| <b>5 Pin Configuration and Functions</b> .....                                    | <b>3</b>  | <b>9 Power Supply Recommendations</b> .....                      | <b>28</b> |
| <b>6 Specifications</b> .....   | <b>5</b>  | <b>10 Layout</b> .....   | <b>29</b> |
| 6.1 Absolute Maximum Ratings .....  | 5         | 10.1 Layout Considerations .....                                 | 29        |
| 6.2 ESD Ratings .....   | 5         | 10.2 Layout Examples.....  | 29        |
| 6.3 Recommended Operating Conditions.....   | 5         | <b>11 Device and Documentation Support</b> .....                 | <b>31</b> |
| 6.4 Thermal Information .....   | 6         | 11.1 Device Support.....   | 31        |
| 6.5 Electrical Characteristics.....   | 6         | 11.2 Documentation Support .....                                 | 31        |
| 6.6 Typical Characteristics ( $P_{VIN} = V_{IN} = 12\text{ V}$ ) .....            | 8         | 11.3 Receiving Notification of Documentation Updates             | 31        |
| 6.7 Typical Characteristics ( $P_{VIN} = V_{IN} = 5\text{ V}$ ) .....             | 9         | 11.4 Support Resources .....                                     | 31        |
| 6.8 Typical Characteristics ( $P_{VIN} = 3.3\text{ V}, V_{IN} = 5\text{ V}$ ) ... | 10        | 11.5 Trademarks .....  | 31        |
| <b>7 Detailed Description</b> .....   | <b>11</b> | 11.6 Electrostatic Discharge Caution.....                        | 32        |
| 7.1 Overview .....  | 11        | 11.7 Glossary .....  | 32        |
| 7.2 Functional Block Diagram .....  | 11        | <b>12 Mechanical, Packaging, and Orderable Information</b> ..... | <b>32</b> |
| 7.3 Feature Description.....  | 12        | 12.1 Tape and Reel Information .....                             | 32        |
| 7.4 Device Functional Modes.....  | 24        |  |           |

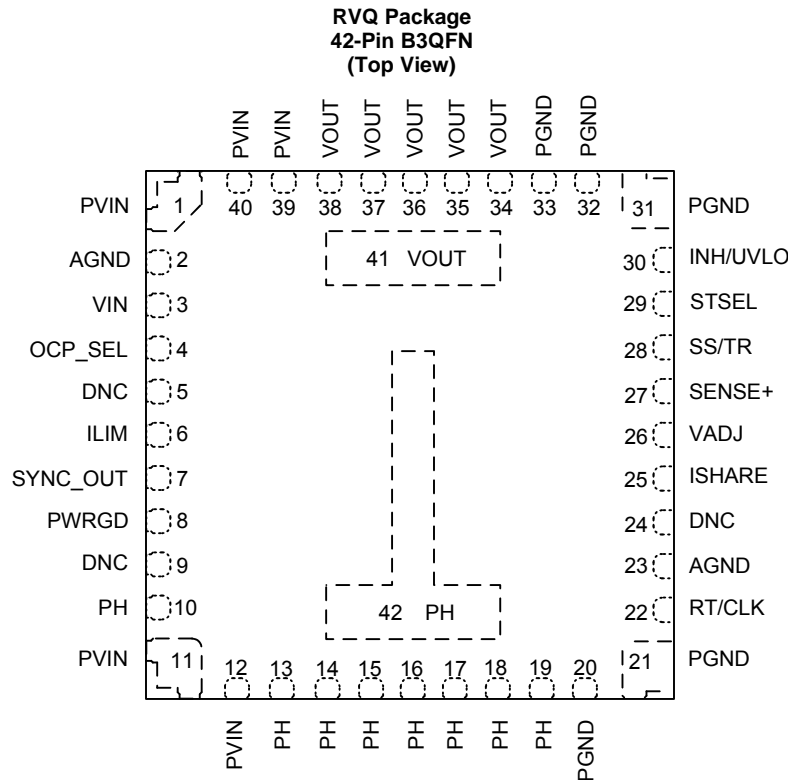
## 4 Revision History

| <b>Changes from Revision E (December 2019) to Revision F</b>  | <b>Page</b> |
|---|-------------|
| • Updated <a href="#">Table 7</a> with correct values .....   | <b>23</b>   |
| <hr/>   |             |
| <b>Changes from Revision D (April 2019) to Revision E</b>   | <b>Page</b> |
| • Added $V_{OUT}$ Range values under different $I_{OUT}$ conditions in <a href="#">Table 7</a> .....  | <b>23</b>   |
| <hr/>   |             |
| <b>Changes from Revision C (April 2018) to Revision D</b>   | <b>Page</b> |
| • Corrected TBD values in Synchronization Frequency vs Output Voltage Table.....  | <b>23</b>   |
| <hr/>   |             |
| <b>Changes from Revision B (June 2017) to Revision C</b>  | <b>Page</b> |
| • Added WEBENCH® design links for the LMZ31710 .....  | <b>1</b>    |
| • Increased the peak reflow temperature and maximum number of reflows to JEDEC specifications for improved manufacturability.....   | <b>5</b>    |
| <hr/>   |             |
| <b>Changes from Revision A (July 2013) to Revision B</b>  | <b>Page</b> |
| • Changed <i>Device Information</i> and <i>Pin Configuration and Functions</i> sections, ESD Rating table, <i>Feature Description</i> , <i>Device Functional Modes</i> , <i>Application and Implementation</i> , <i>Power Supply Recommendations</i> , <i>Layout</i> , <i>Device and Documentation Support</i> , and <i>Mechanical, Packaging, and Orderable Information</i> sections ..... | <b>1</b>    |
| • Added peak reflow and maximum number of reflows information .....   | <b>5</b>    |

## 5 Pin Configuration and Functions



10 mm x 10 mm x 4.3 mm



### Pin Functions

| PIN  |     | TYPE | DESCRIPTION   |
|------|-----|------|---|
| NAME | NO. |      |   |
| AGND | 2   | -    | Zero volt reference for the analog control circuit. These pins are not connected together internal to the device and must be connected to one another using an AGND plane of the PCB. These pins are associated with the internal analog ground (AGND) of the device. Keep AGND separate from PGND, as a single connection is made internal to the device. See <a href="#">Layout</a> . |
|      | 23  |      |   |
| PGND | 20  | -    | This is the return current path for the power stage of the device. Connect these pins to the load and to the bypass capacitors associated with PVIN and VOUT. Keep PGND separate from AGND, as a single connection is made internal to the device.  |
|      | 21  |      |   |
|      | 31  |      |   |
|      | 32  |      |   |
|      | 33  |      |   |
| VIN  | 3   | I    | Input bias voltage pin. Supplies the control circuitry of the power converter. Connect this pin to the input bias supply. Connect bypass capacitors between this pin and PGND.  |

Pin Functions (continued)

| PIN      |     | TYPE | DESCRIPTION   |
|----------|-----|------|---|
| NAME     | NO. |      |   |
| PVIN     | 1   | I    | Input switching voltage. Supplies voltage to the power switches of the converter. Connect these pins to the input supply. Connect bypass capacitors between these pins and PGND.  |
|          | 11  |      |   |
|          | 12  |      |   |
|          | 39  |      |   |
|          | 40  |      |   |
| VOUT     | 34  | O    | Output voltage. These pins are connected to the internal output inductor. Connect these pins to the output load and connect external bypass capacitors between these pins and PGND.   |
|          | 35  |      |   |
|          | 36  |      |   |
|          | 37  |      |   |
|          | 38  |      |   |
|          | 41  |      |   |
| PH       | 10  | O    | Phase switch node. These pins must be connected to one another using a small copper island under the device for thermal relief. Do not place any external component on these pins or tie them to a pin of another function.                                       |
|          | 13  |      |   |
|          | 14  |      |   |
|          | 15  |      |   |
|          | 16  |      |   |
|          | 17  |      |   |
|          | 18  |      |   |
|          | 19  |      |   |
|          | 42  |      |   |
| DNC      | 5   | -    | Do Not Connect. Do not connect these pins to AGND, to another DNC pin, or to any other voltage. These pins are connected to internal circuitry. Each pin must be soldered to an isolated pad.   |
|          | 9   |      |   |
|          | 24  |      |   |
| ISHARE   | 25  | O    | Current share pin. Connect this pin to the ISHARE pin of the other LMZ31710 when paralleling multiple LMZ31710 devices. When unused, treat this pin as a Do Not Connect (DNC) and leave it isolated from all other signals or ground.                             |
| OCP_SEL  | 4   | I    | Overcurrent protection select pin. Leave this pin open for hiccup mode operation. Connect this pin to AGND for cycle-by-cycle operation. See the <a href="#">Overcurrent Protection</a> section for more details.   |
| ILIM     | 6   | I    | Current limit pin. Leave this pin open for full current limit threshold. Connect this pin to AGND to reduce the current limit threshold by approximately 3 A.   |
| SYNC_OUT | 7   | O    | Synchronization output pin. Provides a 180° out-of-phase clock signal.  |
| PWRGD    | 8   | O    | Power Good flag pin. This open drain output asserts low if the output voltage is more than approximately ±6% out of regulation. A pullup resistor is required.  |
| RT/CLK   | 22  | I    | This pin is connected to an internal frequency setting resistor which sets the default switching frequency. An external resistor can be connected from this pin to AGND to increase the frequency. This pin can also be used to synchronize to an external clock. |
| VADJ     | 26  | I    | Connecting a resistor between this pin and AGND sets the output voltage.  |
| SENSE+   | 27  | O    | Remote sense connection. This pin must be connected to VOUT at the load or at the device pins. Connect this pin to VOUT at the load for improved regulation.  |
| SS/TR    | 28  | I    | Slow-start and tracking pin. Connecting an external capacitor to this pin adjusts the output voltage rise time. A voltage applied to this pin allows for tracking and sequencing control.   |
| STSEL    | 29  | I    | Slow start or track feature select. Connect this pin to AGND to enable the internal SS capacitor. Leave this pin open to enable the TR feature.   |
| INH/UVLO | 30  | I    | Inhibit and UVLO adjust pin. Use an open drain or open collector logic device to ground this pin to control the INH function. A resistor divider between this pin, AGND, and PVIN/VIN sets the UVLO voltage.  |

## 6 Specifications

### 6.1 Absolute Maximum Ratings

over operating free-air temperature range (unless otherwise noted)<sup>(1)</sup>

|  |  | MIN  | MAX                | UNIT |
|--|--|------|--------------------|------|
| Input voltage                                    | VIN, PVIN  | -0.3 | 20                 | V    |
|  | INH/UVLO, PWRGD, RT/CLK, SENSE+                        | -0.3 | 6                  | V    |
|  | ILIM, VADJ, SS/TR, STSEL, SYNC_OUT, ISHARE, OCP_SEL    | -0.3 | 3                  | V    |
| Output voltage                                   | PH   | -1.0 | 20                 | V    |
|  | PH 10ns Transient                                      | -3.0 | 20                 | V    |
|  | VOUT   | -0.3 | 10                 | V    |
| Source current                                   | RT/CLK, INH/UVLO                                       |      | ±100               | µA   |
|  | PH   |      | current limit      | A    |
| Sink current                                     | PH   |      | current limit      | A    |
|  | PVIN   |      | current limit      | A    |
|  | PWRGD  | -0.1 | 2                  | mA   |
| Operating junction temperature                   |  | -40  | 125 <sup>(2)</sup> | °C   |
| Storage temperature, T <sub>stg</sub>            |  | -65  | 150                | °C   |
| Peak Reflow Case Temperature <sup>(3)</sup>      |  |      | 245 <sup>(4)</sup> | °C   |
| Maximum Number of Reflows Allowed <sup>(3)</sup> |  |      | 3 <sup>(4)</sup>   |      |
| Mechanical shock                                 | Mil-STD-883D, Method 2002.3, 1 msec, 1/2 sine, mounted |      | 1500               | G    |
| Mechanical vibration                             | Mil-STD-883D, Method 2007.2, 20-2000 Hz                |      | 20                 |      |

- Stresses beyond those listed under *Absolute Maximum Ratings* may cause permanent damage to the device. These are stress ratings only, which do not imply functional operation of the device at these or any other conditions beyond those indicated under *Recommended Operating Conditions*. Exposure to absolute-maximum-rated conditions for extended periods may affect device reliability.
- See the temperature derating curves in the Typical Characteristics section for thermal information.
- For soldering specifications, refer to the [Soldering Requirements for BQFN Packages](#) application note.
- Devices with a date code prior to week 14 2018 (1814) have a peak reflow case temperature of 240°C with a maximum of one reflow.

### 6.2 ESD Ratings

|  |  | VALUE | UNIT |
|--|--|-------|------|
| V <sub>(ESD)</sub> Electrostatic discharge | Human-body model (HBM), per ANSI/ESDA/JEDEC JS-001 <sup>(1)</sup>              | ±1500 | V    |
|  | Charged-device model (CDM), per JEDEC specification JESD22-C101 <sup>(2)</sup> | ±1000 |      |

- JEDEC document JEP155 states that 500-V HBM allows safe manufacturing with a standard ESD control process.
- JEDEC document JEP157 states that 250-V CDM allows safe manufacturing with a standard ESD control process.

### 6.3 Recommended Operating Conditions

over operating free-air temperature range (unless otherwise noted)

|   | MIN  | NOM | MAX  | UNIT |
|---|------|-----|------|------|
| Input switching voltage, PV <sub>IN</sub> | 2.95 |     | 17   | V    |
| Input bias voltage, V <sub>IN</sub>       | 4.5  |     | 17   | V    |
| Output voltage, V <sub>OUT</sub>          | 0.6  |     | 5.5  | V    |
| Switching frequency, f <sub>SW</sub>      | 200  |     | 1200 | kHz  |

## 6.4 Thermal Information

| THERMAL METRIC <sup>(1)</sup> |   | LMZ31710    | UNIT |
|-------------------------------|---|-------------|------|
|                               |   | RVQ (B3QFN) |      |
|                               |   | 42 PINS     |      |
| R <sub>θJA</sub>              | Junction-to-ambient thermal resistance <sup>(2)</sup>     | 13.3        | °C/W |
| R <sub>θJB</sub>              | Junction-to-board thermal resistance <sup>(3)</sup>       | 1.6         | °C/W |
| ψ <sub>JT</sub>               | Junction-to-top characterization parameter <sup>(4)</sup> | 5.3         | °C/W |

- (1) For more information about traditional and new thermal metrics, see the *Semiconductor and IC Package Thermal Metrics* application report.
- (2) The junction-to-ambient thermal resistance, R<sub>θJA</sub>, applies to devices soldered directly to a 100 mm × 100 mm double-sided PCB with 2 oz. copper and natural convection cooling. Additional airflow reduces R<sub>θJA</sub>.
- (3) The junction-to-top characterization parameter, ψ<sub>JT</sub>, estimates the junction temperature, T<sub>J</sub>, of a device in a real system, using a procedure described in JESD51-2A (sections 6 and 7). T<sub>J</sub> = ψ<sub>JT</sub> × P<sub>dis</sub> + T<sub>T</sub>; where P<sub>dis</sub> is the power dissipated in the device and T<sub>T</sub> is the temperature of the top of the device.
- (4) The junction-to-board characterization parameter, ψ<sub>JB</sub>, estimates the junction temperature, T<sub>J</sub>, of a device in a real system, using a procedure described in JESD51-2A (sections 6 and 7). T<sub>J</sub> = ψ<sub>JB</sub> × P<sub>dis</sub> + T<sub>B</sub>; where P<sub>dis</sub> is the power dissipated in the device and T<sub>B</sub> is the temperature of the board 1 mm from the device.

## 6.5 Electrical Characteristics

Over –40°C to 85°C free-air temperature, P<sub>VIN</sub> = V<sub>IN</sub> = 12 V, V<sub>OUT</sub> = 1.8 V, I<sub>OUT</sub> = 10 A, C<sub>IN</sub> = 0.1 μF + 2 × 22 μF ceramic + 100 μF bulk, C<sub>OUT</sub> = 4 × 47 μF ceramic (unless otherwise noted)

| PARAMETER             |                                      | TEST CONDITIONS   | MIN   | TYP                     | MAX                | UNIT                 |    |                   |
|-----------------------|--------------------------------------|---|---|-------------------------|--------------------|----------------------|----|-------------------|
| I <sub>OUT</sub>      | Output current                       | T <sub>A</sub> = 85°C, natural convection                         | 0 <sup>(1)</sup>                                    |                         | 10                 | A                    |    |                   |
| V <sub>IN</sub>       | Input bias voltage range             | Over output current range   | 4.5   |                         | 17                 | V                    |    |                   |
| PV <sub>IN</sub>      | Input switching voltage range        | Over output current range   | 2.95 <sup>(2)</sup>                                 |                         | 17 <sup>(3)</sup>  | V                    |    |                   |
| UVLO                  | V <sub>IN</sub> undervoltage lockout | V <sub>IN</sub> Increasing  |   | 4                       | 4.5                | V                    |    |                   |
|                       |                                      | V <sub>IN</sub> Decreasing  | 3.5   | 3.85                    |                    |                      |    |                   |
| V <sub>OUT(adj)</sub> | Output voltage adjust range          | Over output current range   | 0.6   |                         | 5.5 <sup>(4)</sup> | V                    |    |                   |
| V <sub>OUT</sub>      | Set-point voltage tolerance          | T <sub>A</sub> = 25°C, I <sub>OUT</sub> = 0 A                     |   |                         | ±1% <sup>(5)</sup> |                      |    |                   |
|                       | Temperature variation                | –40°C ≤ T <sub>A</sub> ≤ +85°C, I <sub>OUT</sub> = 0 A            |   | ±0.2%                   |                    |                      |    |                   |
|                       | Line regulation                      | Over input voltage range  |   | ±0.1%                   |                    |                      |    |                   |
|                       | Load regulation                      | Over output current range   |   | ±0.2%                   |                    |                      |    |                   |
|                       | Total output voltage variation       | Includes set-point, line, load, and temperature variation         |   |                         |                    | ±1.5% <sup>(5)</sup> |    |                   |
| η                     | Efficiency                           | P <sub>VIN</sub> = V <sub>IN</sub> = 12 V<br>I <sub>O</sub> = 5 A | V <sub>OUT</sub> = 5 V, f <sub>SW</sub> = 1 MHz     |                         | 93%                |                      |    |                   |
|                       |                                      |   | V <sub>OUT</sub> = 3.3 V, f <sub>SW</sub> = 750 kHz |                         | 92%                |                      |    |                   |
|                       |                                      |   | V <sub>OUT</sub> = 2.5 V, f <sub>SW</sub> = 750 kHz |                         | 90%                |                      |    |                   |
|                       |                                      |   | V <sub>OUT</sub> = 1.8 V, f <sub>SW</sub> = 500 kHz |                         | 89%                |                      |    |                   |
|                       |                                      |   | V <sub>OUT</sub> = 1.2 V, f <sub>SW</sub> = 300 kHz |                         | 86%                |                      |    |                   |
|                       |                                      |   | V <sub>OUT</sub> = 0.9 V, f <sub>SW</sub> = 250 kHz |                         | 84%                |                      |    |                   |
|                       |                                      | P <sub>VIN</sub> = V <sub>IN</sub> = 5 V<br>I <sub>O</sub> = 5 A  | V <sub>OUT</sub> = 3.3 V, f <sub>SW</sub> = 750 kHz |                         | 94%                |                      |    |                   |
|                       |                                      |   | V <sub>OUT</sub> = 2.5 V, f <sub>SW</sub> = 750 kHz |                         | 93%                |                      |    |                   |
|                       |                                      |   | V <sub>OUT</sub> = 1.8 V, f <sub>SW</sub> = 500 kHz |                         | 92%                |                      |    |                   |
|                       |                                      |   | V <sub>OUT</sub> = 1.2 V, f <sub>SW</sub> = 300 kHz |                         | 89%                |                      |    |                   |
|                       |                                      |   | V <sub>OUT</sub> = 0.9 V, f <sub>SW</sub> = 250 kHz |                         | 87%                |                      |    |                   |
|                       |                                      |   | V <sub>OUT</sub> = 0.6 V, f <sub>SW</sub> = 200 kHz |                         | 83%                |                      |    |                   |
|                       |                                      |   | Output voltage ripple                               | 20 MHz bandwidth        |                    | 14                   |    | mV <sub>p-p</sub> |
|                       |                                      |   | I <sub>LIM</sub>                                    | Current limit threshold | ILIM pin open      |                      | 15 |                   |
| ILIM pin to AGND      |                                      | 12  |   |                         |                    | A                    |    |                   |

- (1) See *Light Load Efficiency (LLE)* for more information for output voltages < 1.5 V.
- (2) The minimum P<sub>VIN</sub> is 2.95 V or (V<sub>OUT</sub> + 0.7 V), whichever is greater. See [Table 7](#) for more details.
- (3) The maximum PV<sub>IN</sub> voltage is 17 V or (22 × V<sub>OUT</sub>), whichever is less. See [Table 7](#) for more details.
- (4) The maximum output voltage may be limited by the power dissipation. The maximum power dissipation of this device is 4.5 W.
- (5) The stated limit of the set-point voltage tolerance includes the tolerance of both the internal voltage reference and the internal adjustment resistor. The overall output voltage tolerance will be affected by the tolerance of the external R<sub>SET</sub> resistor.

## Electrical Characteristics (continued)

Over  $-40^{\circ}\text{C}$  to  $85^{\circ}\text{C}$  free-air temperature,  $PV_{\text{IN}} = V_{\text{IN}} = 12\text{ V}$ ,  $V_{\text{OUT}} = 1.8\text{ V}$ ,  $I_{\text{OUT}} = 10\text{ A}$ ,  
 $C_{\text{IN}} = 0.1\text{ }\mu\text{F} + 2 \times 22\text{ }\mu\text{F}$  ceramic +  $100\text{ }\mu\text{F}$  bulk,  $C_{\text{OUT}} = 4 \times 47\text{ }\mu\text{F}$  ceramic (unless otherwise noted)

| PARAMETER            |                             | TEST CONDITIONS   |             | MIN                  | TYP                | MAX                 | UNIT               |
|----------------------|-----------------------------|---|-------------|----------------------|--------------------|---------------------|--------------------|
| Transient response   |                             | 1 A/ $\mu\text{s}$ load step from 25 to 75% $I_{\text{OUT(max)}}$ |             | Recovery time        | 100                |                     | $\mu\text{s}$      |
|                      |                             |   |             | VOUT over/undershoot | 80                 |                     | mV                 |
| $V_{\text{INH}}$     | Inhibit threshold voltage   | Inhibit High Voltage  |             | 1.3                  |                    | open <sup>(6)</sup> | V                  |
|                      |                             | Inhibit Low Voltage   |             | -0.3                 |                    | 1.1                 |                    |
| $I_{\text{INH}}$     | INH Input current           | $V_{\text{INH}} < 1.1\text{ V}$                                   |             |                      | -1.15              |                     | $\mu\text{A}$      |
|                      | INH Hysteresis current      | $V_{\text{INH}} > 1.3\text{ V}$                                   |             |                      | -3.3               |                     | $\mu\text{A}$      |
| $I_{\text{I(stby)}}$ | Input standby current       | INH pin to AGND   |             |                      | 2                  | 10                  | $\mu\text{A}$      |
| Power Good           | PWRGD Thresholds            | $V_{\text{OUT}}$ rising   | Good        |                      | 95%                |                     |                    |
|                      |                             |   | Fault       |                      | 108%               |                     |                    |
|                      |                             | $V_{\text{OUT}}$ falling  | Fault       |                      | 91%                |                     |                    |
|                      |                             |   | Good        |                      | 104%               |                     |                    |
| PWRGD Low Voltage    |                             | $I(\text{PWRGD}) = 0.5\text{ mA}$                                 |             |                      |                    | 0.3                 | V                  |
| $f_{\text{SW}}$      | Switching frequency         | $R_{\text{RT}} = 169\text{ k}\Omega$                              |             | 400                  | 500                | 600                 | kHz                |
| $f_{\text{CLK}}$     | Synchronization frequency   | CLK Control   |             | 200                  |                    | 1200                | kHz                |
| $V_{\text{CLK-H}}$   | CLK High-Level              |   |             | 2                    |                    | 5.5                 | V                  |
| $V_{\text{CLK-L}}$   | CLK Low-Level               |   |             |                      |                    | 0.5                 | V                  |
| $D_{\text{CLK}}$     | CLK Duty Cycle              |   |             | 20%                  | 50%                | 80%                 |                    |
| Thermal Shutdown     |                             |   |             | Thermal shutdown     |                    |                     | 175                |
|                      |                             | Thermal shutdown hysteresis                                       |             |                      | 10                 |                     | $^{\circ}\text{C}$ |
| $C_{\text{IN}}$      | External input capacitance  | Ceramic   |             | 44 <sup>(7)</sup>    |                    |                     | $\mu\text{F}$      |
|                      |                             | Non-ceramic   |             |                      | 100 <sup>(7)</sup> |                     |                    |
| $C_{\text{OUT}}$     | External output capacitance | $V_{\text{OUT}} = 0.6\text{ V to } 5.5\text{ V}$                  | Ceramic     | 47 <sup>(8)</sup>    | 200                | 1500                | $\mu\text{F}$      |
|                      |                             | $V_{\text{OUT}} = 0.6\text{ V to } 5.5\text{ V}$                  | Non-ceramic |                      | 220 <sup>(8)</sup> | 5000 <sup>(9)</sup> |                    |
|                      |                             | Equivalent series resistance (ESR)                                |             |                      |                    |                     |                    |

- (6) Value when no voltage divider is present at the INH/UVLO pin. This pin has an internal pullup. If it is left open, the device operates when input power is applied. A small, low-leakage MOSFET is recommended for control. Do not tie this pin to VIN.
- (7) A minimum of 44  $\mu\text{F}$  of external ceramic capacitance is required across the input (VIN and PVIN connected) for proper operation. An additional 100  $\mu\text{F}$  of bulk capacitance is recommended. It is also recommended to place a 0.1  $\mu\text{F}$  ceramic capacitor directly across the PVIN and PGND pins of the device. Locate the input capacitance close to the device. When operating with split VIN and PVIN rails, place 4.7  $\mu\text{F}$  of ceramic capacitance directly at the VIN pin. See [Table 4](#) for more details.
- (8) The amount of required output capacitance varies depending on the output voltage (see [Table 3](#)). The amount of required capacitance must include at least  $1 \times 47\text{ }\mu\text{F}$  ceramic capacitor. Locate the capacitance close to the device. Adding additional capacitance close to the load improves the response of the regulator to load transients. See [Table 3](#) and [Table 4](#) more details.
- (9) The maximum output capacitance of 5000  $\mu\text{F}$  includes the combination of both ceramic and non-ceramic capacitors. It may be necessary to increase the slow-start time when turning on into the maximum capacitance. See the [Slow Start \(SS/TR\)](#) section for information on adjusting the slow-start time.

### 6.6 Typical Characteristics ( $P_{VIN} = V_{IN} = 12\text{ V}$ )

The electrical characteristic data has been developed from actual products tested at 25°C. This data is considered typical for the converter. Applies to Figure 1, Figure 2, and Figure 3. The temperature derating curves represent the conditions at which internal components are at or below the manufacturer's maximum operating temperatures. Derating limits apply to devices soldered directly to a 100-mm × 100-mm double-sided PCB with 2-oz. copper. Applies to Figure 5 and Figure 6.

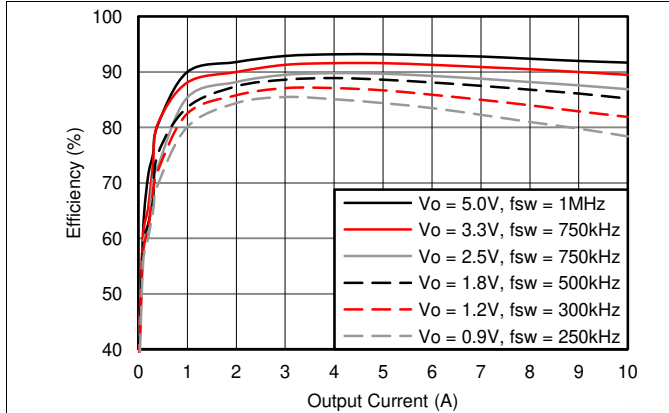


Figure 1. Efficiency versus Output Current

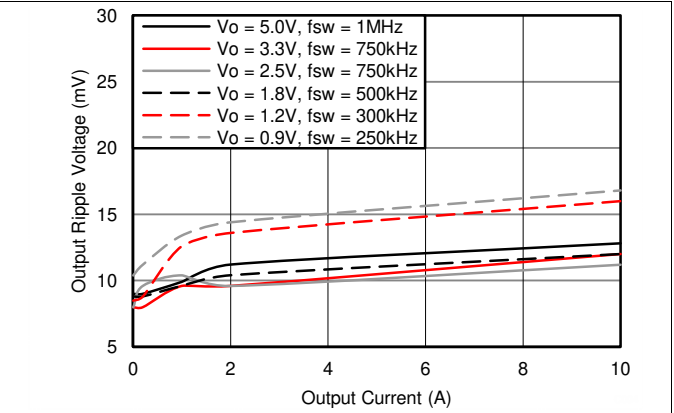


Figure 2. Voltage Ripple versus Output Current

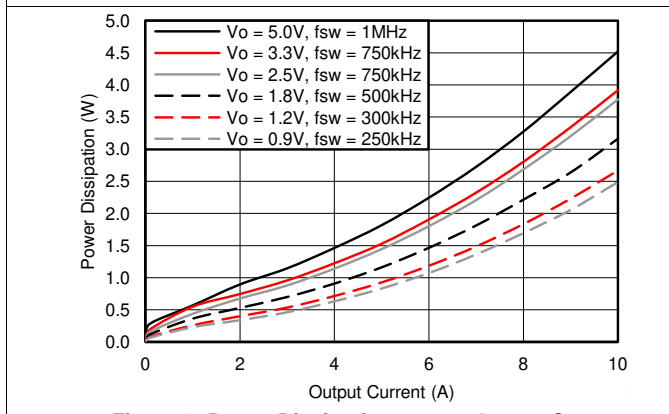


Figure 3. Power Dissipation versus Output Current

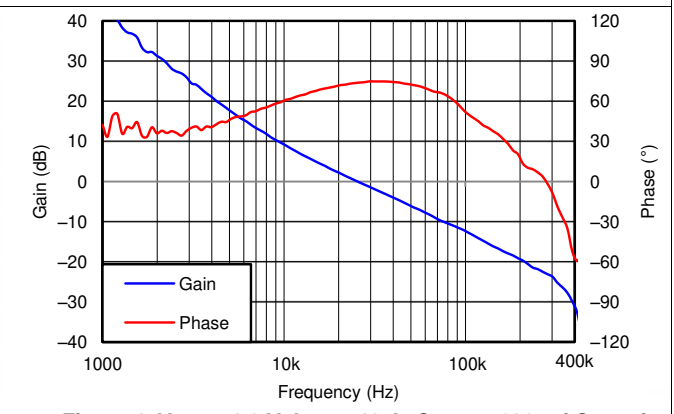


Figure 4.  $V_{OUT} = 1.8\text{ V}$ ,  $I_{OUT} = 10\text{ A}$ ,  $C_{OUT1} = 200\text{ Mf Ceramic}$ ,  $F_{SW} = 500\text{ KHz}$

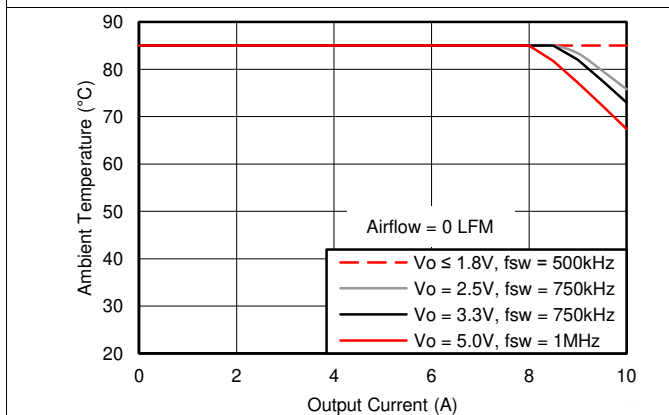


Figure 5. Safe Operating Area

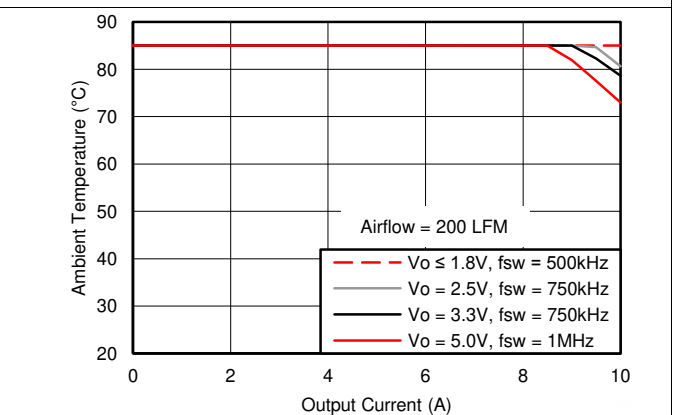


Figure 6. Safe Operating Area



### 6.7 Typical Characteristics ( $P_{VIN} = V_{IN} = 5\text{ V}$ )

The electrical characteristic data has been developed from actual products tested at 25°C. This data is considered typical for the converter. Applies to Figure 7, Figure 8, and Figure 9. The temperature derating curves represent the conditions at which internal components are at or below the manufacturer's maximum operating temperatures. Derating limits apply to devices soldered directly to a 100-mm × 100-mm double-sided PCB with 2-oz. copper. Applies to Figure 11.

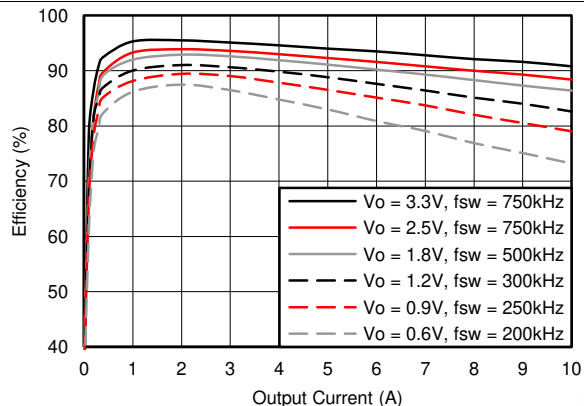


Figure 7. Efficiency versus Output Current

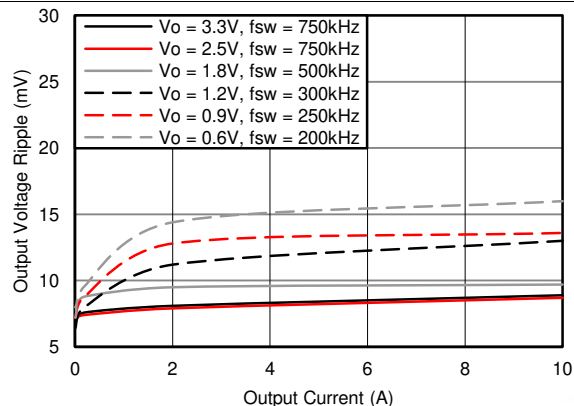


Figure 8. Voltage Ripple versus Output Current

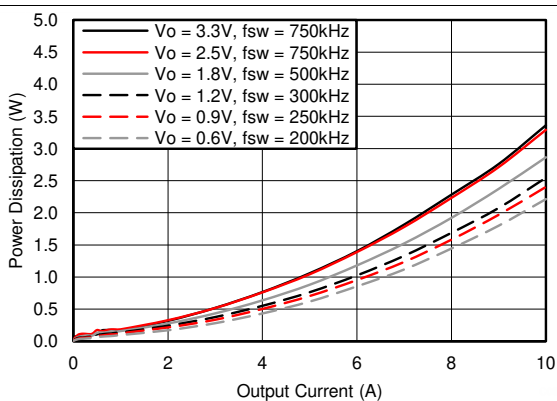


Figure 9. Power Dissipation versus Output Current

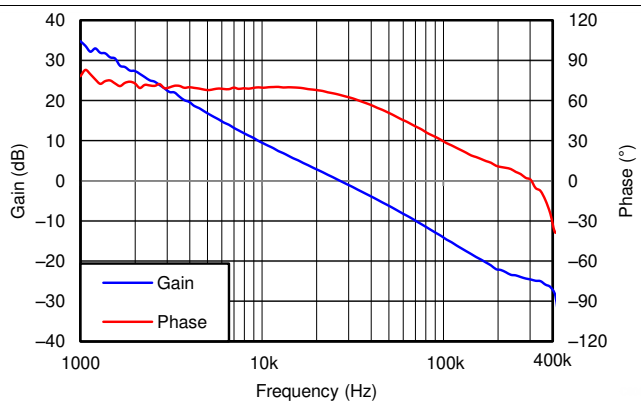


Figure 10.  $V_{OUT} = 1.8\text{ V}$ ,  $I_{OUT} = 10\text{ A}$ ,  $C_{OUT1} = 200\text{ Mf Ceramic}$ ,  $F_{SW} = 500\text{ KHz}$

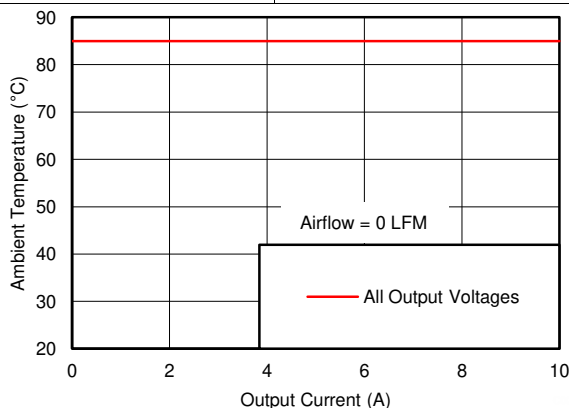


Figure 11. Safe Operating Area

### 6.8 Typical Characteristics ( $P_{VIN} = 3.3\text{ V}$ , $V_{IN} = 5\text{ V}$ )

The electrical characteristic data has been developed from actual products tested at 25°C. This data is considered typical for the converter. Applies to Figure 12, Figure 13, and Figure 14. The temperature derating curves represent the conditions at which internal components are at or below the manufacturer's maximum operating temperatures. Derating limits apply to devices soldered directly to a 100-mm x 100-mm double-sided PCB with 2-oz. copper. Applies to Figure 16.

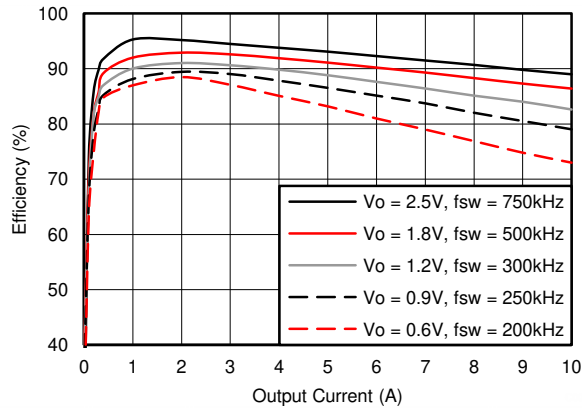


Figure 12. Efficiency versus Output Current

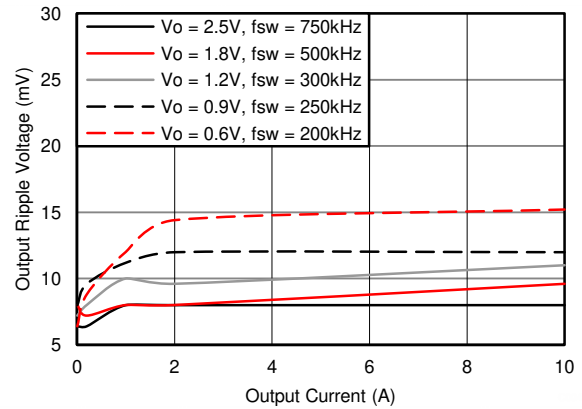


Figure 13. Voltage Ripple versus Output Current

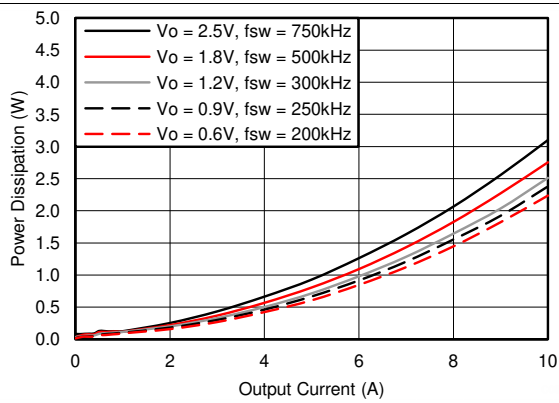


Figure 14. Power Dissipation versus Output Current

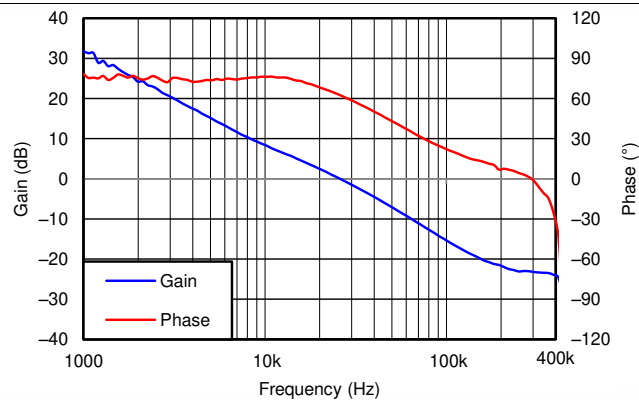


Figure 15.  $V_{OUT} = 1.8\text{ V}$ ,  $I_{OUT} = 10\text{ A}$ ,  $C_{OUT1} = 200\text{ Mf Ceramic}$ ,  $F_{SW} = 500\text{ KHz}$

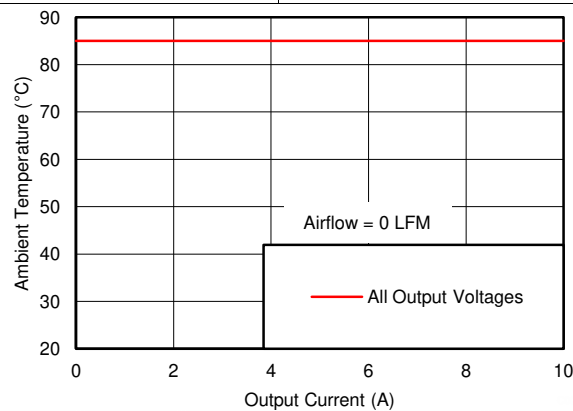


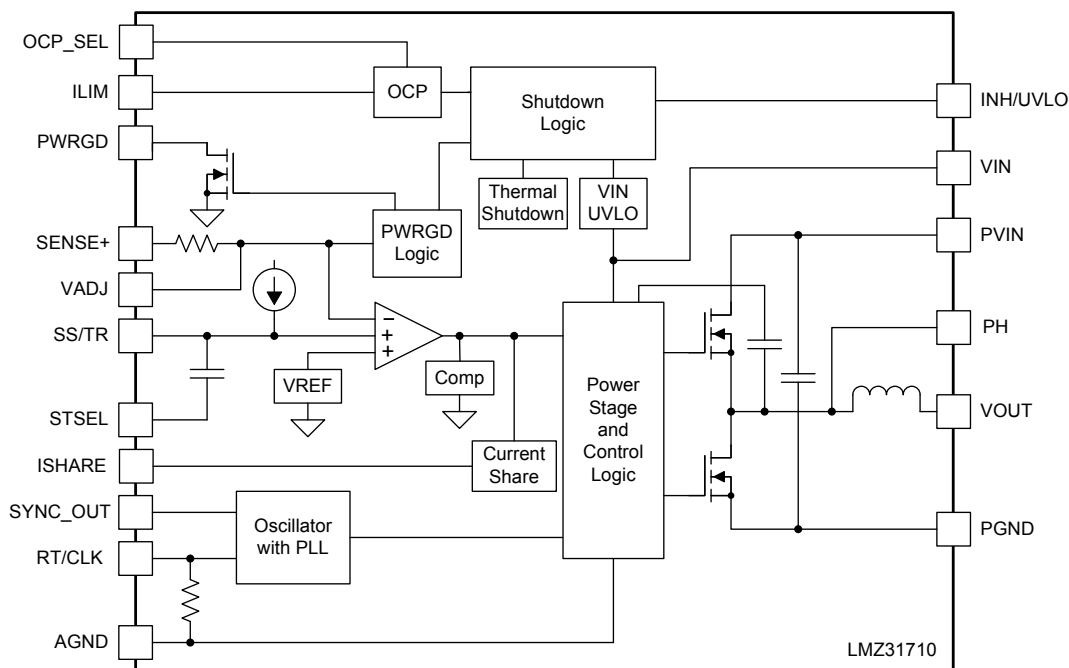
Figure 16. Safe Operating Area

## 7 Detailed Description

### 7.1 Overview

The LMZ31710 is a full-featured 2.95-V to 17-V input, 10-A, synchronous step-down converter with PWM, MOSFETs, inductor, and control circuitry integrated into a low-profile, overmolded package. This device enables small designs by integrating all but the input and output capacitors, while still leaving the ability to adjust key parameters to meet specific design requirements. The LMZ31710 provides a wide output voltage range of 0.6 V to 5.5 V. In most applications, a single external resistor is used to adjust the output voltage. The switching frequency is also adjustable by using an external resistor or a synchronization pulse to accommodate various input/output voltage conditions and to optimize efficiency. The device provides accurate voltage regulation for a variety of loads by using an internal voltage reference that is  $\pm 1\%$  accurate over temperature. The INH/UVLO pin can be pulled low to put the device in standby mode to reduce input quiescent current. The input undervoltage lockout can be adjusted using a resistor divider on the IN/UVLO pin of the device. The device provides a power-good signal to indicate when the output is within  $\pm 5\%$  of its nominal voltage. The ability to parallel the LMZ31710 allows it to be used in higher current applications. Thermal shutdown and current limit features protect the device during an overload condition. Automatic pulse skip mode improves light-load efficiency. A 42-pin, QFN, package that includes exposed bottom pads provides a thermally enhanced solution for space-constrained applications.

### 7.2 Functional Block Diagram



## 7.3 Feature Description

### 7.3.1 VIN and PVIN Input Voltage

The LMZ31710 allows for a variety of applications by using the VIN and PVIN pins together or separately. The VIN voltage supplies the internal control circuits of the device. The PVIN voltage provides the input voltage to the power converter system.

If tied together, the input voltage for the VIN pin and the PVIN pin can range from 4.5 V to 17 V. If you are using the VIN pin separately from the PVIN pin, the VIN pin must be greater than 4.5 V, and the PVIN pin can range from as low as 2.95 V to 17 V. When operating from a split rail, it is recommended to supply VIN from 5 V to 12 V for best performance. A voltage divider connected to the INH/UVLO pin can adjust either input voltage UVLO appropriately. See the [Programmable Undervoltage Lockout \(UVLO\)](#) section for more information.

### 7.3.2 3.3-V PVIN Operation

Applications operating from a PVIN of 3.3 V must provide at least 4.5 V for VIN. It is recommended to supply V<sub>IN</sub> from 5 V to 12 V for best performance. See the [Powering LMZ3 SIMPLE SWITCHER Power Modules From 3.3 V Application Note](#) for help creating 5 V from 3.3 V using a small, simple charge pump device.

### 7.3.3 Adjusting the Output Voltage (0.6 V to 5.5 V)

The VADJ control sets the output voltage of the LMZ31710. The output voltage adjustment range of the LMZ31710 is from 0.6 V to 5.5 V. The adjustment method requires the addition of R<sub>SET</sub>, which sets the output voltage, the connection of SENSE+ to VOUT, and in some cases, R<sub>RT</sub> which sets the switching frequency. The R<sub>SET</sub> resistor must be connected directly between the VADJ (pin 26) and AGND (pin 23). The SENSE+ pin (pin 27) must be connected to VOUT either at the load for improved regulation or at VOUT of the device. The R<sub>RT</sub> resistor must be connected directly between the RT/CLK (pin 22) and AGND (pin 23). [Table 1](#) gives the standard external R<sub>SET</sub> resistor for a number of common bus voltages, along with the recommended R<sub>RT</sub> resistor for that output voltage.

**Table 1. Standard R<sub>SET</sub> Resistor Values for Common Output Voltages**

| RESISTORS             | OUTPUT VOLTAGE V <sub>OUT</sub> (V) |      |      |       |       |       |       |
|-----------------------|-------------------------------------|------|------|-------|-------|-------|-------|
|                       | 0.9                                 | 1.0  | 1.2  | 1.8   | 2.5   | 3.3   | 5.0   |
| R <sub>SET</sub> (kΩ) | 2.87                                | 2.15 | 1.43 | 0.715 | 0.453 | 0.316 | 0.196 |
| R <sub>RT</sub> (kΩ)  | 1000                                | 1000 | 487  | 169   | 90.9  | 90.9  | 63.4  |

For other output voltages, the value of the required resistor can either be calculated using the following formula, or simply selected from the range of values given in [Table 2](#).

$$R_{SET} = \frac{1.43}{\left(\left(\frac{V_{OUT}}{0.6}\right) - 1\right)} \text{ (k}\Omega\text{)} \quad (1)$$

**Table 2. Standard R<sub>SET</sub> Resistor Values**

| V <sub>OUT</sub> (V) | R <sub>SET</sub> (kΩ) | R <sub>RT</sub> (kΩ) | f <sub>sw</sub> (kHz) | V <sub>OUT</sub> (V) | R <sub>SET</sub> (kΩ) | R <sub>RT</sub> (kΩ) | f <sub>sw</sub> (kHz) |
|----------------------|-----------------------|----------------------|-----------------------|----------------------|-----------------------|----------------------|-----------------------|
| 0.6                  | open                  | OPEN                 | 200                   | 3.1                  | 0.348                 | 90.9                 | 750                   |
| 0.7                  | 8.66                  | OPEN                 | 200                   | 3.2                  | 0.332                 | 90.9                 | 750                   |
| 0.8                  | 4.32                  | OPEN                 | 200                   | 3.3                  | 0.316                 | 90.9                 | 750                   |
| 0.9                  | 2.87                  | 1000                 | 250                   | 3.4                  | 0.309                 | 90.9                 | 750                   |
| 1.0                  | 2.15                  | 1000                 | 250                   | 3.5                  | 0.294                 | 90.9                 | 750                   |
| 1.1                  | 1.74                  | 1000                 | 250                   | 3.6                  | 0.287                 | 90.9                 | 750                   |
| 1.2                  | 1.43                  | 487                  | 300                   | 3.7                  | 0.280                 | 90.9                 | 750                   |
| 1.3                  | 1.24                  | 487                  | 300                   | 3.8                  | 0.267                 | 90.9                 | 750                   |
| 1.4                  | 1.07                  | 487                  | 300                   | 3.9                  | 0.261                 | 90.9                 | 750                   |
| 1.5                  | 0.953                 | 487                  | 300                   | 4.0                  | 0.255                 | 90.9                 | 750                   |
| 1.6                  | 0.866                 | 487                  | 300                   | 4.1                  | 0.243                 | 63.4                 | 1000                  |
| 1.7                  | 0.787                 | 487                  | 300                   | 4.2                  | 0.237                 | 63.4                 | 1000                  |
| 1.8                  | 0.715                 | 169                  | 500                   | 4.3                  | 0.232                 | 63.4                 | 1000                  |
| 1.9                  | 0.665                 | 169                  | 500                   | 4.4                  | 0.226                 | 63.4                 | 1000                  |
| 2.0                  | 0.619                 | 169                  | 500                   | 4.5                  | 0.221                 | 63.4                 | 1000                  |
| 2.1                  | 0.576                 | 169                  | 500                   | 4.6                  | 0.215                 | 63.4                 | 1000                  |
| 2.2                  | 0.536                 | 169                  | 500                   | 4.7                  | 0.210                 | 63.4                 | 1000                  |
| 2.3                  | 0.511                 | 169                  | 500                   | 4.8                  | 0.205                 | 63.4                 | 1000                  |
| 2.4                  | 0.475                 | 169                  | 500                   | 4.9                  | 0.200                 | 63.4                 | 1000                  |
| 2.5                  | 0.453                 | 90.9                 | 750                   | 5.0                  | 0.196                 | 63.4                 | 1000                  |
| 2.6                  | 0.432                 | 90.9                 | 750                   | 5.1                  | 0.191                 | 63.4                 | 1000                  |
| 2.7                  | 0.412                 | 90.9                 | 750                   | 5.2                  | 0.187                 | 63.4                 | 1000                  |
| 2.8                  | 0.392                 | 90.9                 | 750                   | 5.3                  | 0.182                 | 63.4                 | 1000                  |
| 2.9                  | 0.374                 | 90.9                 | 750                   | 5.4                  | 0.178                 | 63.4                 | 1000                  |
| 3.0                  | 0.357                 | 90.9                 | 750                   | 5.5                  | 0.174                 | 63.4                 | 1000                  |

### 7.3.4 Capacitor Recommendations For the LMZ31710 Power Supply

#### 7.3.4.1 Capacitor Technologies

##### 7.3.4.1.1 Electrolytic, Polymer-Electrolytic Capacitors

When using electrolytic capacitors, high-quality, computer-grade electrolytic capacitors are recommended. Polymer-electrolytic type capacitors are recommended for applications where the ambient operating temperature is less than 0°C. The Sanyo OS-CON capacitor series is suggested due to the following:

- Lower ESR
- Higher rated surge
- Power dissipation
- Ripple current capability
- Small package size

Aluminum electrolytic capacitors provide adequate decoupling over the frequency range of 2 kHz to 150 kHz, and are suitable when ambient temperatures are above 0°C.

##### 7.3.4.1.2 Ceramic Capacitors

The performance of aluminum electrolytic capacitors is less effective than ceramic capacitors above 150 kHz. Multilayer ceramic capacitors have a low ESR and a resonant frequency higher than the bandwidth of the regulator. They can be used to reduce the reflected ripple current at the input as well as improve the transient response of the output.

### 7.3.4.1.3 Tantalum, Polymer-Tantalum Capacitors

Polymer-tantalum type capacitors are recommended for applications where the ambient operating temperature is less than 0°C. The Sanyo POSCAP series and Kemet T530 capacitor series are recommended rather than many other tantalum types due to the following:

- Lower ESR
- Higher rated surge
- Power dissipation
- Ripple current capability
- Small package size

Tantalum capacitors that have no stated ESR or surge current rating are not recommended for power applications.

### 7.3.4.2 Input Capacitor

The LMZ31710 requires a minimum input capacitance of 44  $\mu\text{F}$  of ceramic type. An additional 100  $\mu\text{F}$  of non-ceramic capacitance is recommended for applications with transient load requirements. The voltage rating of input capacitors must be greater than the maximum input voltage. At worst case, when operating at 50% duty cycle and maximum load, the combined ripple current rating of the input capacitors must be at least 5 Arms. [Table 4](#) includes a preferred list of capacitors by vendor. It is also recommended to place a 0.1- $\mu\text{F}$  ceramic capacitor directly across the PVIN and PGND pins of the device. When operating with split VIN and PVIN rails, place 4.7  $\mu\text{F}$  of ceramic capacitance directly at the VIN pin.

### 7.3.4.3 Output Capacitor

The required output capacitance is determined by the output voltage of the LMZ31710. See [Table 3](#) for the amount of required capacitance. The effects of temperature and capacitor voltage rating must be considered when selecting capacitors to meet the minimum required capacitance. The required output capacitance can be comprised of all ceramic capacitors, or a combination of ceramic and bulk capacitors. The required capacitance must include at least one 47- $\mu\text{F}$  ceramic. When adding additional non-ceramic bulk capacitors, low-ESR devices like the ones recommended in [Table 4](#) are required. The required capacitance above the minimum is determined by actual transient deviation requirements. See [Table 5](#) for typical transient response values for several output voltage, input voltage, and capacitance combinations. [Table 4](#) includes a preferred list of capacitors by vendor.

**Table 3. Required Output Capacitance**

| $V_{\text{OUT}}$ RANGE (V) |       | MINIMUM REQUIRED $C_{\text{OUT}}$ ( $\mu\text{F}$ ) |
|----------------------------|-------|---|
| MIN                        | MAX   |   |
| 0.6                        | < 0.8 | 500 $\mu\text{F}$ <sup>(1)</sup>                    |
| 0.8                        | < 1.2 | 300 $\mu\text{F}$ <sup>(1)</sup>                    |
| 1.2                        | < 3.0 | 200 $\mu\text{F}$ <sup>(1)</sup>                    |
| 3.0                        | < 4.0 | 100 $\mu\text{F}$ <sup>(1)</sup>                    |
| 4.0                        | 5.5   | 47 $\mu\text{F}$ ceramic                            |

(1) Minimum required must include at least one 47- $\mu\text{F}$  ceramic capacitor.

**Table 4. Recommended Input/Output Capacitors<sup>(1)</sup>**

| VENDOR | SERIES | PART NUMBER    | CAPACITOR CHARACTERISTICS |                               |                                  |
|--------|--------|----------------|---------------------------|-------------------------------|----------------------------------|
|        |        |                | WORKING VOLTAGE (V)       | CAPACITANCE ( $\mu\text{F}$ ) | ESR <sup>(2)</sup> (m $\Omega$ ) |
| Murata | X5R    | GRM32ER61E226K | 25                        | 22                            | 2                                |
| TDK    | X5R    | C3225X5R0J107M | 6.3                       | 100                           | 2                                |
| TDK    | X5R    | C3225X5R0J476K | 6.3                       | 47                            | 2                                |
| Murata | X5R    | GRM32ER60J107M | 6.3                       | 100                           | 2                                |

(1) **Capacitor Supplier Verification, RoHS, Lead-free, and Material Details**

Consult capacitor suppliers regarding availability, material composition, RoHS and lead-free status, and manufacturing process requirements for any capacitors identified in this table.

(2) Maximum ESR at 100 kHz, 25°C.

**Table 4. Recommended Input/Output Capacitors<sup>0</sup> (continued)**

| VENDOR    | SERIES | PART NUMBER        | CAPACITOR CHARACTERISTICS |                  |                         |
|-----------|--------|--------------------|---------------------------|------------------|-------------------------|
|           |        |                    | WORKING VOLTAGE (V)       | CAPACITANCE (μF) | ESR <sup>(2)</sup> (mΩ) |
| Murata    | X5R    | GRM32ER60J476M     | 6.3                       | 47               | 2                       |
| Panasonic | EEH-ZA | EEH-ZA1E101XP      | 25                        | 100              | 30                      |
| Sanyo     | POSCAP | 16TQC68M           | 16                        | 68               | 50                      |
| Kemet     | T520   | T520V107M010ASE025 | 10                        | 100              | 25                      |
| Sanyo     | POSCAP | 10TPE220ML         | 10                        | 220              | 25                      |
| Sanyo     | POSCAP | 6TPE100MI          | 6.3                       | 100              | 25                      |
| Sanyo     | POSCAP | 2R5TPE220M7        | 2.5                       | 220              | 7                       |
| Kemet     | T530   | T530D227M006ATE006 | 6.3                       | 220              | 6                       |
| Kemet     | T530   | T530D337M006ATE010 | 6.3                       | 330              | 10                      |
| Sanyo     | POSCAP | 2TPF330M6          | 2.0                       | 330              | 6                       |
| Sanyo     | POSCAP | 6TPE330MFL         | 6.3                       | 330              | 15                      |

### 7.3.5 Transient Response

**Table 5. Output Voltage Transient Response**

| C <sub>IN1</sub> = 3x 47-μF CERAMIC, C <sub>IN2</sub> = 100-μF POLYMER-TANTALUM |                     |                           |                        |                           |                         |                    |
|---|---------------------|---------------------------|------------------------|---------------------------|-------------------------|--------------------|
| V <sub>OUT</sub> (V)  | V <sub>IN</sub> (V) | C <sub>OUT1</sub> CERAMIC | C <sub>OUT2</sub> BULK | VOLTAGE DEVIATION (mV)    |                         | RECOVERY TIME (μs) |
|   |                     |                           |                        | 2.5-A LOAD STEP, (1 A/μs) | 5-A LOAD STEP, (1 A/μs) |                    |
| 0.6   | 5                   | 500 μF                    | 220 μF                 | 25                        | 60                      | 100                |
|   | 12                  | 500 μF                    | 220 μF                 | 30                        | 65                      | 100                |
| 0.9   | 5                   | 300 μF                    | 220 μF                 | 40                        | 85                      | 100                |
|   |                     | 300 μF                    | 470 μF                 | 35                        | 70                      | 110                |
|   | 12                  | 300 μF                    | 220 μF                 | 45                        | 90                      | 100                |
|   |                     | 300 μF                    | 470 μF                 | 35                        | 75                      | 110                |
| 1.2   | 5                   | 200 μF                    | 220 μF                 | 55                        | 110                     | 110                |
|   |                     | 200 μF                    | 470 μF                 | 45                        | 90                      | 110                |
|   | 12                  | 200 μF                    | 220 μF                 | 55                        | 110                     | 110                |
|   |                     | 200 μF                    | 470 μF                 | 45                        | 90                      | 110                |
| 1.8   | 5                   | 200 μF                    | 220 μF                 | 70                        | 140                     | 130                |
|   |                     | 200 μF                    | 470 μF                 | 60                        | 120                     | 140                |
|   | 12                  | 200 μF                    | 220 μF                 | 70                        | 145                     | 140                |
|   |                     | 200 μF                    | 470 μF                 | 55                        | 120                     | 150                |
| 3.3   | 5                   | 100 μF                    | 220 μF                 | 115                       | 230                     | 200                |
|   | 12                  | 100 μF                    | 220 μF                 | 120                       | 240                     | 200                |

7.3.5.1 Transient Response Waveforms

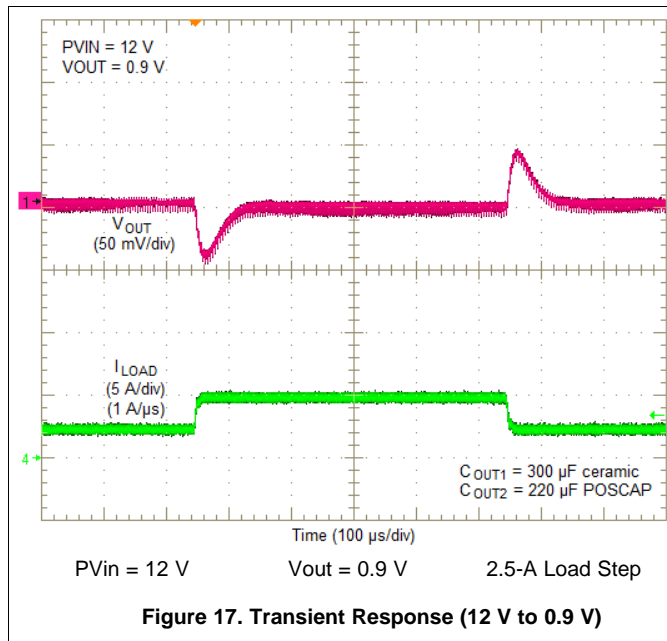


Figure 17. Transient Response (12 V to 0.9 V)

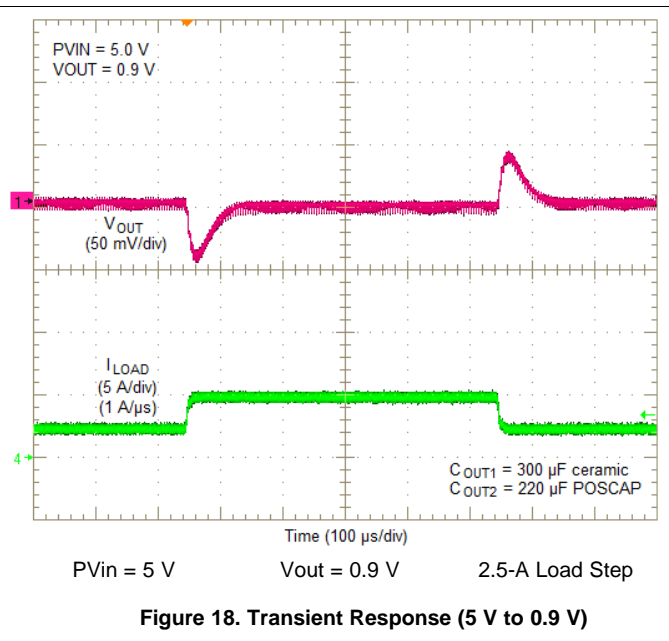


Figure 18. Transient Response (5 V to 0.9 V)

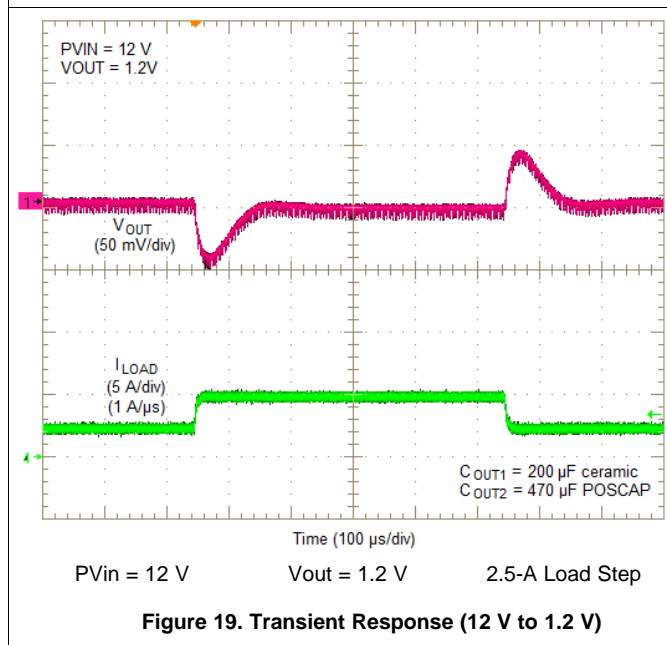


Figure 19. Transient Response (12 V to 1.2 V)

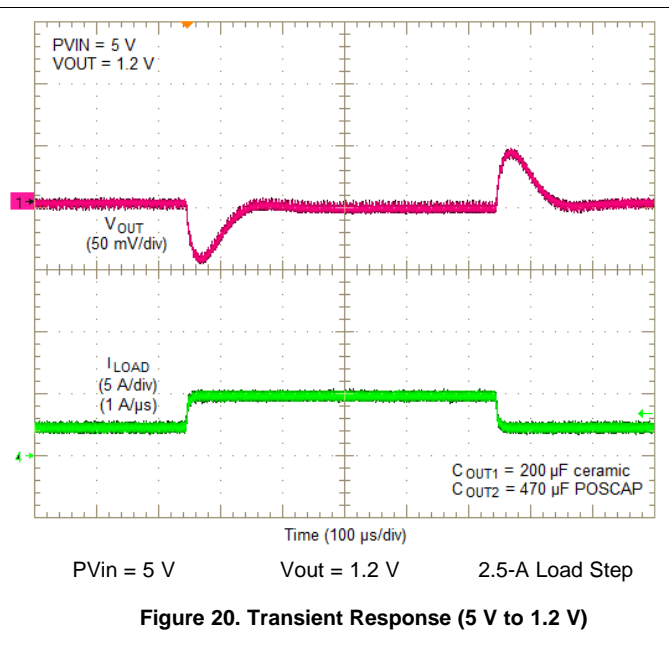


Figure 20. Transient Response (5 V to 1.2 V)



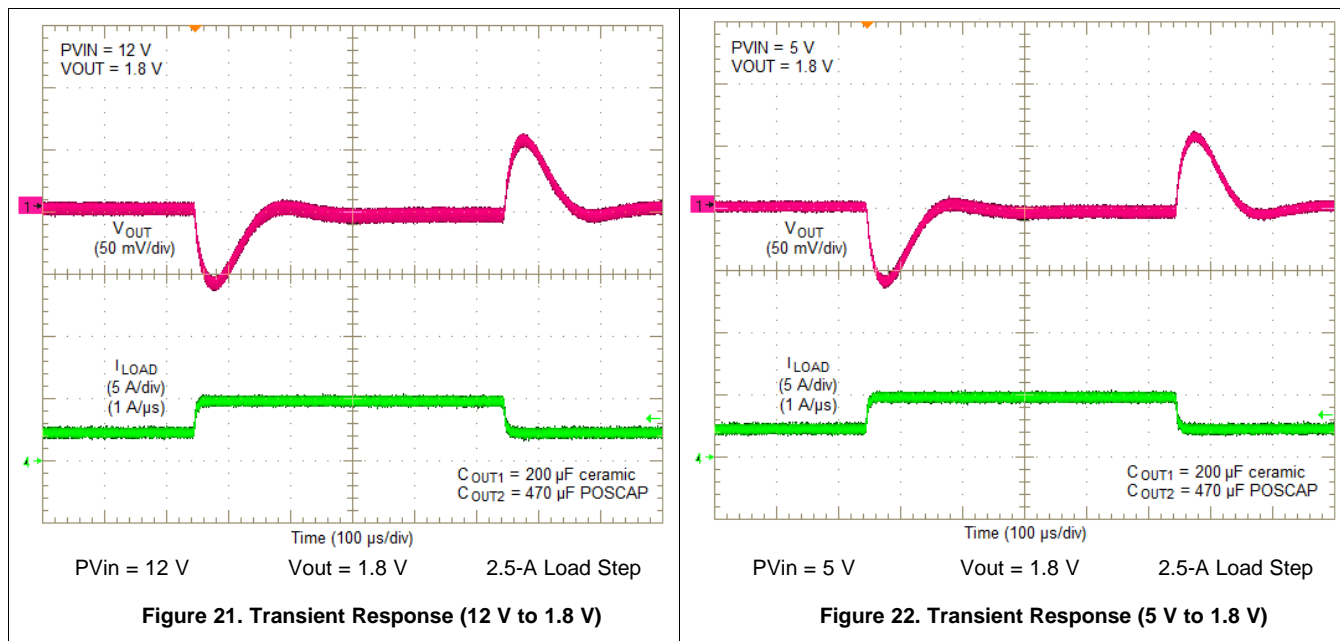


Figure 21. Transient Response (12 V to 1.8 V)

Figure 22. Transient Response (5 V to 1.8 V)

### 7.3.6 Power Good (PWRGD)

The PWRGD pin is an open-drain output. Once the voltage on the SENSE+ pin is between 95% and 104% of the set voltage, the PWRGD pin pull-down is released, and the pin floats. The recommended pull-up resistor value is between 10 kΩ and 100 kΩ to a voltage source that is 5.5 V or less. The PWRGD pin is in a defined state once VIN is greater than 1 V, but with reduced current sinking capability. The PWRGD pin achieves full current sinking capability once the VIN pin is above 4.5 V. The PWRGD pin is pulled low when the voltage on SENSE+ is lower than 91% or greater than 108% of the nominal set voltage. Also, the PWRGD pin is pulled low if the input UVLO or thermal shutdown is asserted, the INH pin is pulled low, or the SS/TR pin is below 1.4 V.

### 7.3.7 Light Load Efficiency (LLE)

The LMZ31710 operates in pulse skip mode at light load currents to improve efficiency and decrease power dissipation by reducing switching and gate drive losses.

These pulses can cause the output voltage to rise when there is no load to discharge the energy. For output voltages < 1.5 V, a minimum load is required. The amount of required load can be determined by Equation 2. In most cases, the minimum current drawn by the load circuit will be enough to satisfy this load. For applications requiring a load resistor to meet the minimum load, the added power dissipation will be ≤ 3.6 mW. A single 0402 size resistor across VOUT and PGND can be used.

$$I_{\text{MIN}} = 600 \mu\text{A} - \left( \frac{V_{\text{OUT}}}{1.43\text{k} + R_{\text{SET}}} \right) (\text{A}) \tag{2}$$

When  $V_{\text{OUT}} = 0.6 \text{ V}$  and  $R_{\text{SET}} = \text{OPEN}$ , the minimum load current is 600 μA.

### 7.3.8 SYNC\_OUT

The LMZ31710 provides a 180° out-of-phase clock signal for applications requiring synchronization. The SYNC\_OUT pin produces a 50% duty cycle clock signal that is the same frequency as the switching frequency of the device, but is 180° out-of-phase. Operating two devices 180° out-of-phase reduces input and output voltage ripple. The SYNC\_OUT clock signal is compatible with other LMZ3 devices that have a CLK input.

### 7.3.9 Parallel Operation

Up to six LMZ31710 devices can be paralleled for increased output current. Multiple connections must be made between the paralleled devices and the component selection is slightly different than for a stand-alone LMZ31710 device. A typical LMZ31710 parallel schematic is shown in Figure 23. Refer to the [LMZ31710 Parallel Operation Application Note](#) for information and design help when paralleling multiple LMZ31710 devices. Additionally, an EVM featuring two LMZ31710 devices operating in parallel can be evaluated using the [LMZ31710 Parallel User's Guide](#).

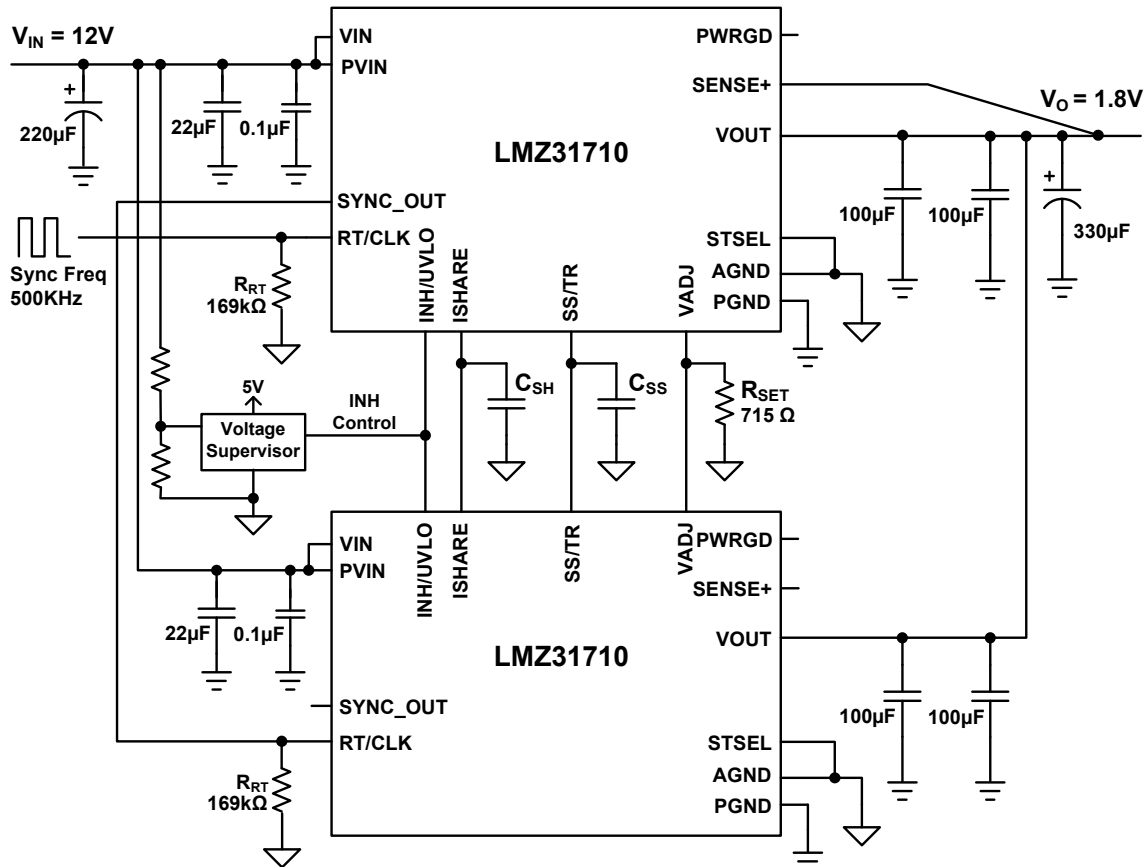
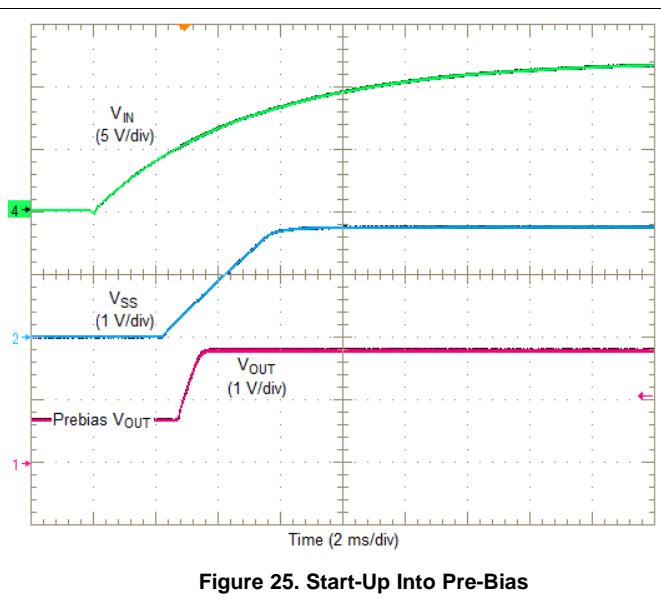
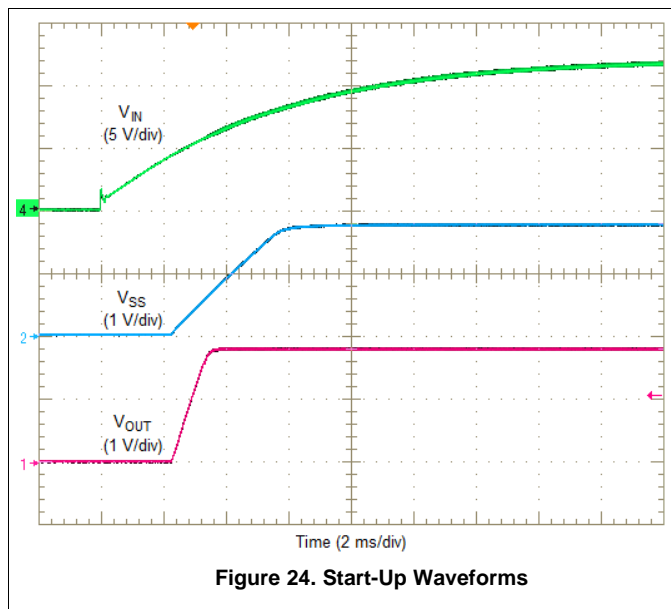


Figure 23. Typical LMZ31710 Parallel Schematic

### 7.3.10 Power-Up Characteristics

When configured as shown in the application circuit on the first page, the LMZ31710 produces a regulated output voltage following the application of a valid input voltage. During the power-up, internal soft-start circuitry slows the rate that the output voltage rises, thereby limiting the amount of in-rush current that can be drawn from the input source. Figure 24 shows the start-up waveforms for a LMZ31710, operating from a 5-V input ( $PVIN = VIN$ ) and with the output voltage adjusted to 1.8 V. Figure 25 shows the start-up waveforms for a LMZ31710 starting up into a pre-biased output voltage. The waveforms were measured with a 5-A constant current load.



### 7.3.11 Pre-Biased Start-Up

The LMZ31710 has been designed to prevent the low-side MOSFET from discharging a pre-biased output. During pre-biased startup, the low-side MOSFET does not turn on until the high-side MOSFET has started switching. The high-side MOSFET does not start switching until the slow start voltage exceeds the voltage on the VADJ pin. See [Figure 25](#).

### 7.3.12 Remote Sense

The SENSE+ pin must be connected to  $V_{OUT}$  at the load, or at the device pins.

Connecting the SENSE+ pin to  $V_{OUT}$  at the load improves the load regulation performance of the device by allowing it to compensate for any I-R voltage drop between its output pins and the load. An I-R drop is caused by the high output current flowing through the small amount of pin and trace resistance. This must be limited to a maximum of 300 mV.

#### NOTE

The remote sense feature is not designed to compensate for the forward drop of nonlinear or frequency dependent components that can be placed in series with the converter output. Examples include OR-ing diodes, filter inductors, ferrite beads, and fuses. When these components are enclosed by the SENSE+ connection, they are effectively placed inside the regulation control loop, which can adversely affect the stability of the regulator.

### 7.3.13 Thermal Shutdown

The internal thermal shutdown circuitry forces the device to stop switching if the junction temperature exceeds 175°C typically. The device reinitiates the power-up sequence when the junction temperature drops below 165°C typically.

### 7.3.14 Output On/Off Inhibit (INH)

The INH pin provides electrical on/off control of the device. Once the INH pin voltage exceeds the threshold voltage, the device starts operation. If the INH pin voltage is pulled below the threshold voltage, the regulator stops switching and enters low quiescent current state. The INH pin has an internal pullup current source, allowing the user to float the INH pin for enabling the device.

If an application requires controlling the INH pin, use an open-drain/collector device, or a suitable logic gate to interface with the pin. Using a voltage supervisor to control the INH pin allows control of the turnon and turnoff of the device as opposed to relying on the ramp up or down if the input voltage source.

Figure 26 shows the typical application of the inhibit function. Turning Q1 on applies a low voltage to the inhibit control (INH) pin and disables the output of the supply, shown in Figure 27. If Q1 is turned off, the supply executes a soft-start power-up sequence, as shown in Figure 28. A regulated output voltage is produced within 2 ms. The waveforms were measured with a 5-A constant current load.

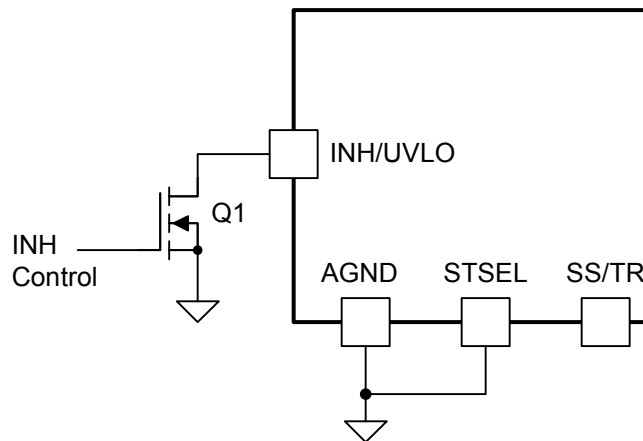
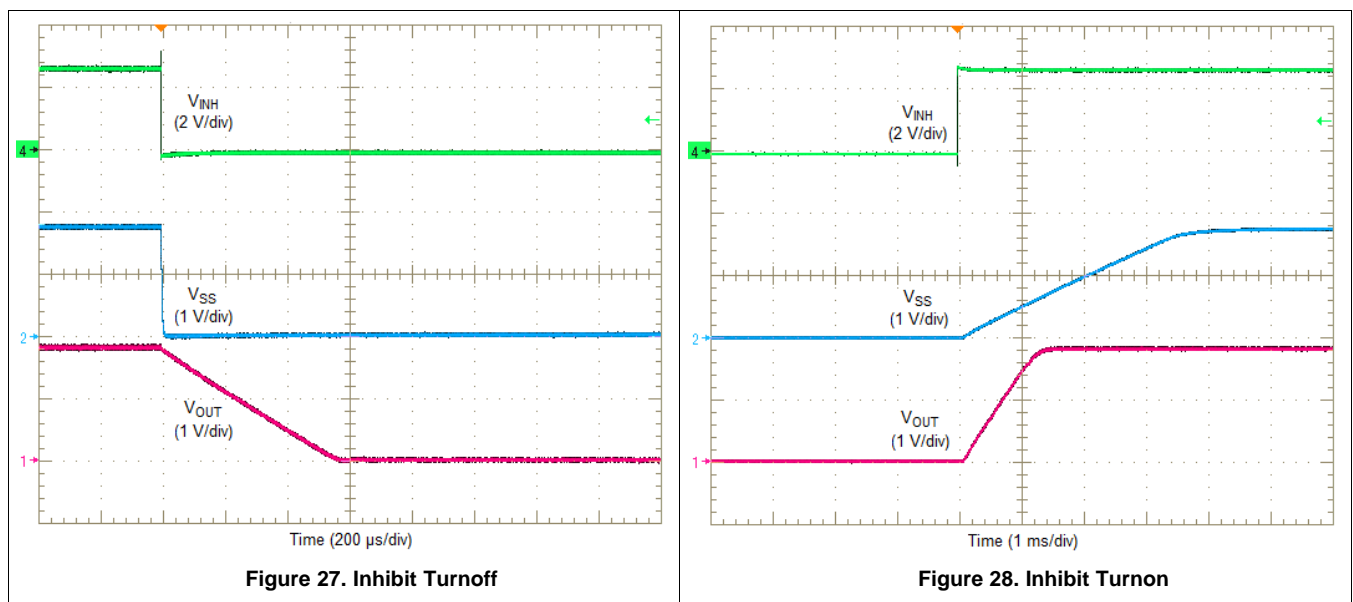


Figure 26. Typical Inhibit Control



### 7.3.15 Slow Start (SS/TR)

Connecting the STSEL pin to AGND and leaving SS/TR pin open enables the internal SS capacitor with a slow-start interval of approximately 1.2 ms. Adding additional capacitance between the SS pin and AGND increases the slow-start time. Increasing the slow-start time will reduce inrush current seen by the input source and reduce the current seen by the device when charging the output capacitors. To avoid the activation of current limit and ensure proper start-up, the SS capacitor may need to be increased when operating near the maximum output capacitance limit.

Table 6 shows an additional SS capacitor connected to the SS/TR pin and the STSEL pin connected to AGND. See Table 6 for SS capacitor values and timing interval.

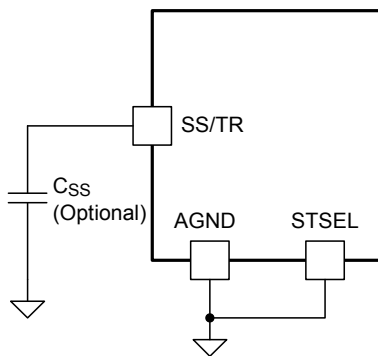


Figure 29. Slow-Start Capacitor ( $C_{SS}$ ) And STSEL Connection

Table 6. Slow-Start Capacitor Values And Slow-Start Time

| $C_{SS}$ (nF)  | OPEN | 3.3 | 4.7 | 10  | 15  | 22  | 33  |
|----------------|------|-----|-----|-----|-----|-----|-----|
| SS Time (msec) | 1.2  | 2.1 | 2.5 | 3.8 | 5.1 | 7.0 | 9.8 |

### 7.3.16 Overcurrent Protection

For protection against load faults, the LMZ31710 incorporates output overcurrent protection. The overcurrent protection mode can be selected using the OCP\_SEL pin. Leaving the OCP\_SEL pin open selects hiccup mode and connecting it to AGND selects cycle-by-cycle mode. In hiccup mode, applying a load that exceeds the overcurrent threshold of the regulator causes the regulated output to shut down. Following shutdown, the module periodically attempts to recover by initiating a soft-start power-up as shown in Figure 30. This is described as a hiccup mode of operation, where the module continues in a cycle of successive shutdown and power-up until the load fault is removed. During this period, the average current flowing into the fault is significantly reduced, which reduces power dissipation. Once the fault is removed, the module automatically recovers and returns to normal operation as shown in Figure 31.

In cycle-by-cycle mode, applying a load that exceeds the overcurrent threshold of the regulator limits the output current and reduces the output voltage as shown in Figure 32. During this period, the current flowing into the fault remains high, causing the power dissipation to stay high as well. Once the overcurrent condition is removed, the output voltage returns to the set-point voltage as shown in Figure 33.

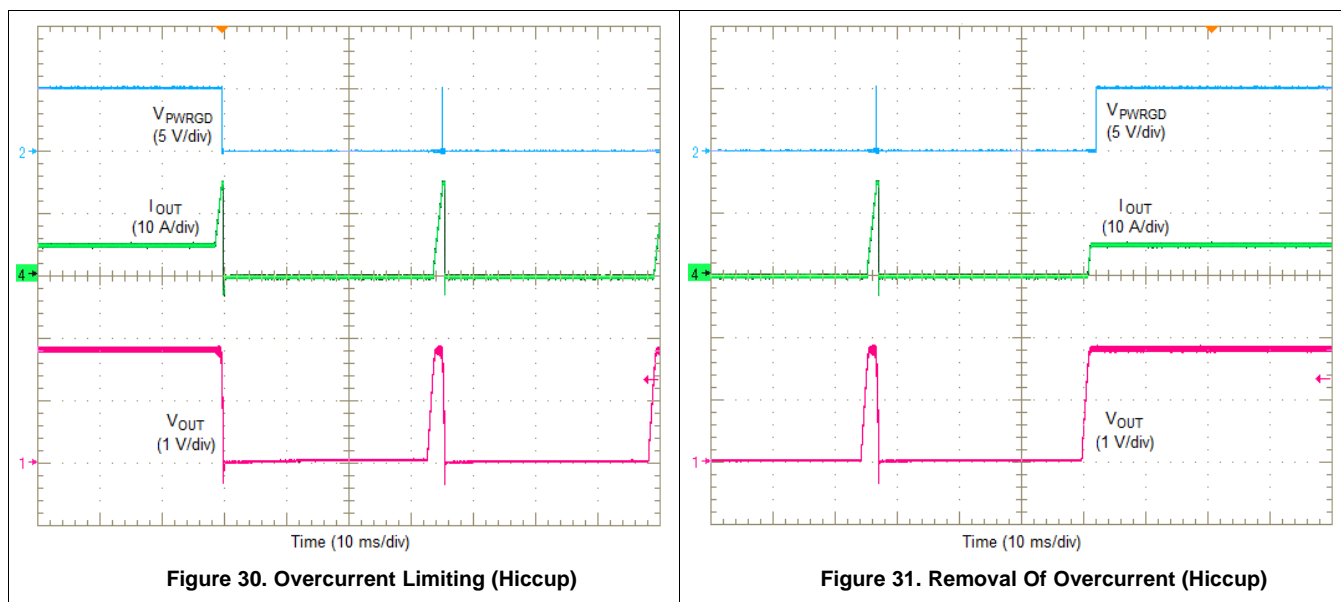
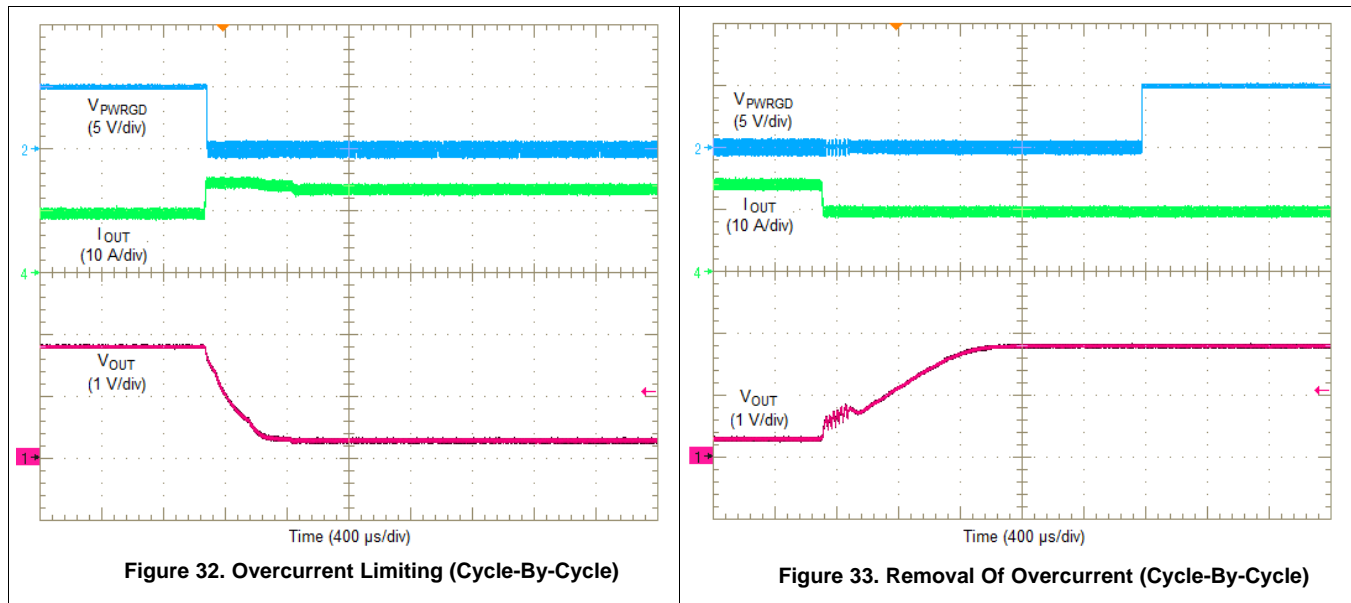


Figure 30. Overcurrent Limiting (Hiccup)

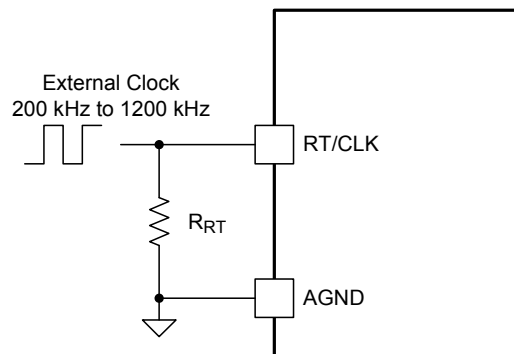
Figure 31. Removal Of Overcurrent (Hiccup)



### 7.3.17 Synchronization (CLK)

An internal phase locked loop (PLL) has been implemented to allow synchronization between 200 kHz and 1200 kHz, and to easily switch from RT mode to CLK mode. To implement the synchronization feature, connect a square wave clock signal to the RT/CLK pin with a duty cycle between 20% to 80%. The clock signal amplitude must transition lower than 0.5 V and higher than 2 V. The start of the switching cycle is synchronized to the falling edge of RT/CLK pin. In applications where both RT mode and CLK mode are needed, the device can be configured as shown in [Figure 34](#).

Before the external clock is present, the device works in RT mode and the switching frequency is set by RT resistor. When the external clock is present, the CLK mode overrides the RT mode. The first time the CLK pin is pulled above the RT/CLK high threshold (2 V), the device switches from RT mode to CLK mode and the RT/CLK pin becomes high impedance as the PLL starts to lock onto the frequency of the external clock. It is not recommended to switch from CLK mode back to RT mode because the internal switching frequency drops to 100 kHz first before returning to the switching frequency set by the RT resistor ( $R_{RT}$ ).



**Figure 34. RT/CLK Configuration**

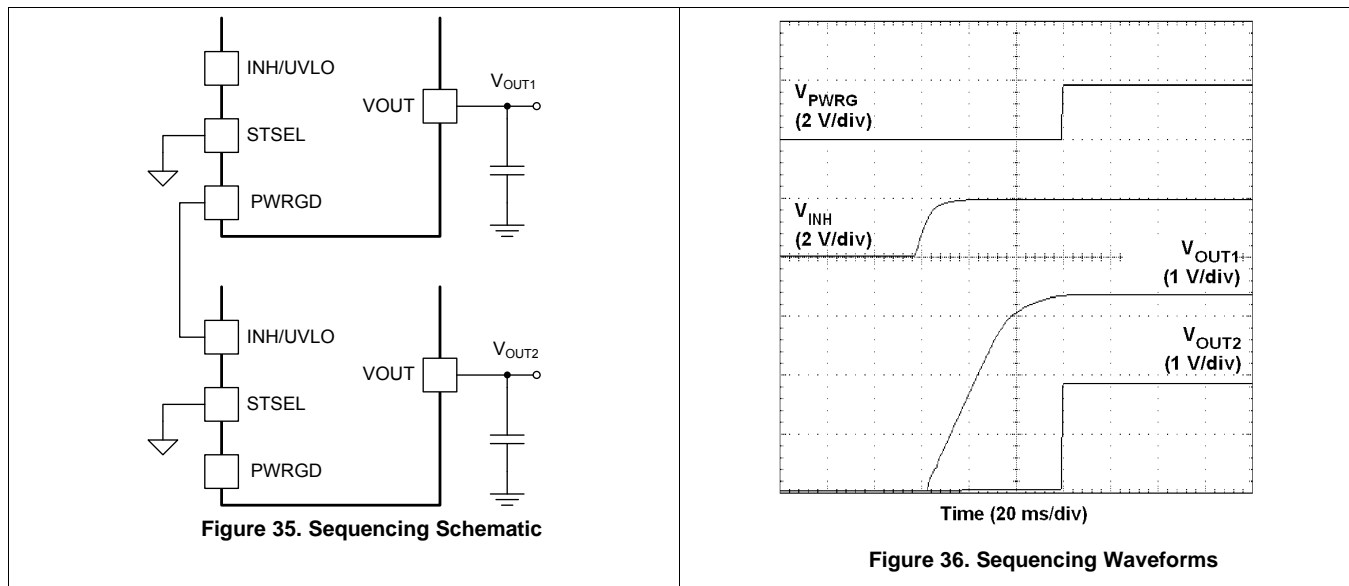
The switching frequency must be selected based on the output voltages of the devices being synchronized. [Table 7](#) shows the allowable frequencies for a given range of output voltages. The allowable switching frequency changes based on the maximum output current ( $I_{OUT}$ ) of an application. The table shows the  $V_{OUT}$  range when  $I_{OUT} \leq 10$  A, 9 A, and 8 A. For the most efficient solution, always synchronize to the lowest allowable frequency. For example, an application requires synchronizing three LMZ31710 devices with output voltages of 1.0 V, 1.2 V, and 1.8 V, all powered from  $P_{VIN} = 12$  V. [Table 7](#) shows that all three output voltages must be synchronized to 300 kHz.

**Table 7. Allowable Switching Frequency versus Output Voltage**

| SWITCHING<br>FREQUENCY<br>(kHz) | PVIN = 12 V                |                        |                        | PVIN = 5 V                 |                        |                        |
|---------------------------------|----------------------------|------------------------|------------------------|----------------------------|------------------------|------------------------|
|                                 | V <sub>OUT</sub> RANGE (V) |                        |                        | V <sub>OUT</sub> RANGE (V) |                        |                        |
|                                 | I <sub>OUT</sub> ≤ 10 A    | I <sub>OUT</sub> ≤ 9 A | I <sub>OUT</sub> ≤ 8 A | I <sub>OUT</sub> ≤ 10 A    | I <sub>OUT</sub> ≤ 9 A | I <sub>OUT</sub> ≤ 8 A |
| 200                             | 0.6 - 1.2                  | 0.6 - 1.6              | 0.6 - 2.0              | 0.6 - 1.5                  | 0.6 - 2.5              | 0.6 - 4.3              |
| 300                             | 0.8 - 1.9                  | 0.8 - 2.6              | 0.8 - 3.5              | 0.6 - 4.3                  | 0.6 - 4.3              | 0.6 - 4.3              |
| 400                             | 1.0 - 2.7                  | 1.0 - 4.0              | 1.0 - 5.5              | 0.6 - 4.3                  | 0.6 - 4.3              | 0.6 - 4.3              |
| 500                             | 1.3 - 3.8                  | 1.3 - 5.5              | 1.3 - 5.5              | 0.6 - 4.2                  | 0.6 - 4.2              | 0.6 - 4.3              |
| 600                             | 1.5 - 5.5                  | 1.5 - 5.5              | 1.5 - 5.5              | 0.8 - 4.1                  | 0.8 - 4.2              | 0.7 - 4.2              |
| 700                             | 1.8 - 5.5                  | 1.8 - 5.5              | 1.8 - 5.5              | 0.9 - 4.0                  | 0.9 - 4.1              | 0.8 - 4.1              |
| 800                             | 2.0 - 5.5                  | 2.0 - 5.5              | 2.0 - 5.5              | 1.0 - 3.9                  | 1.0 - 4.0              | 1.0 - 4.0              |
| 900                             | 2.2 - 5.5                  | 2.2 - 5.5              | 2.2 - 5.5              | 1.2 - 3.8                  | 1.1 - 3.9              | 1.1 - 3.9              |
| 1000                            | 2.5 - 5.5                  | 2.5 - 5.5              | 2.5 - 5.5              | 1.4 - 3.7                  | 1.3 - 3.8              | 1.3 - 3.8              |
| 1100                            | 2.7 - 5.5                  | 2.7 - 5.5              | 2.7 - 5.5              | 1.4 - 3.6                  | 1.4 - 3.7              | 1.4 - 3.7              |
| 1200                            | 3.0 - 5.5                  | 3.0 - 5.5              | 3.0 - 5.5              | 1.5 - 3.6                  | 1.5 - 3.6              | 1.5 - 3.6              |

**7.3.18 Sequencing (SS/TR)**

Many of the common power supply sequencing methods can be implemented using the SS/TR, INH, and PWRGD pins. The sequential method is illustrated in Figure 35 using two LMZ31710 devices. The PWRGD pin of the first device is coupled to the INH pin of the second device, which enables the second power supply once the primary supply reaches regulation. Figure 36 shows sequential turnon waveforms of two LMZ31710 devices.



Simultaneous power supply sequencing can be implemented by connecting the resistor network of R1 and R2 shown in Figure 37 to the output of the power supply that needs to be tracked or to another voltage reference source. The tracking voltage must exceed 750 mV before V<sub>OUT2</sub> reaches its set-point voltage. The PWRGD output of the V<sub>OUT2</sub> device can remain low if the tracking voltage does not exceed 1.4 V. Figure 38 shows simultaneous turnon waveforms of two LMZ31710 devices. Equation 3 and Equation 4 calculate the values of R1 and R2.

$$R1 = \frac{(V_{OUT2} \times 12.6)}{0.6} \text{ (k}\Omega\text{)} \tag{3}$$

$$R2 = \frac{0.6 \times R1}{(V_{OUT2} - 0.6)} \text{ (k}\Omega\text{)} \tag{4}$$

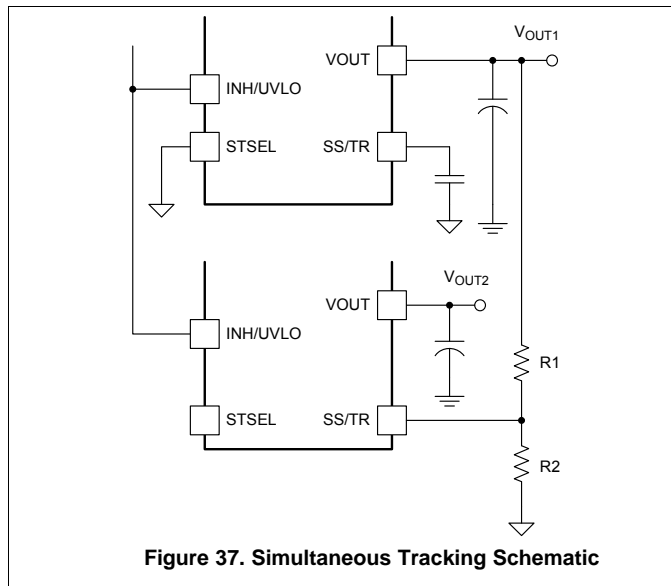


Figure 37. Simultaneous Tracking Schematic

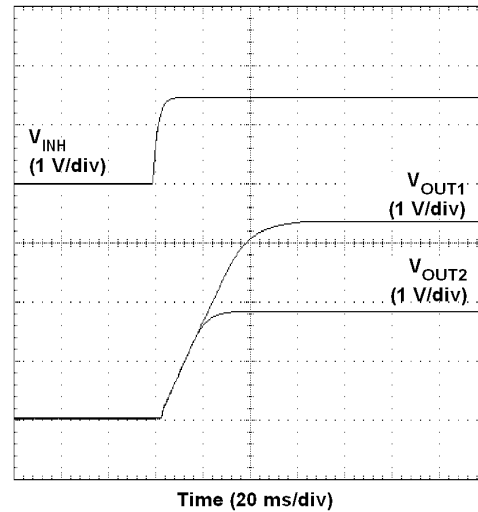


Figure 38. Simultaneous Tracking Waveforms

## 7.4 Device Functional Modes

### 7.4.1 Programmable Undervoltage Lockout (UVLO)

The LMZ31710 implements internal UVLO circuitry on the VIN pin. The device is disabled when the VIN pin voltage falls below the internal VIN UVLO threshold. The internal VIN UVLO rising threshold is 4.5 V(max) with a typical hysteresis of 150 mV.

If an application requires either a higher UVLO threshold on the VIN pin or a higher UVLO threshold for a combined VIN and PVIN, then the UVLO pin can be configured as shown in [Figure 39](#) or [Figure 40](#). [Table 8](#) lists standard values for  $R_{UVLO1}$  and  $R_{UVLO2}$  to adjust the VIN UVLO voltage up.

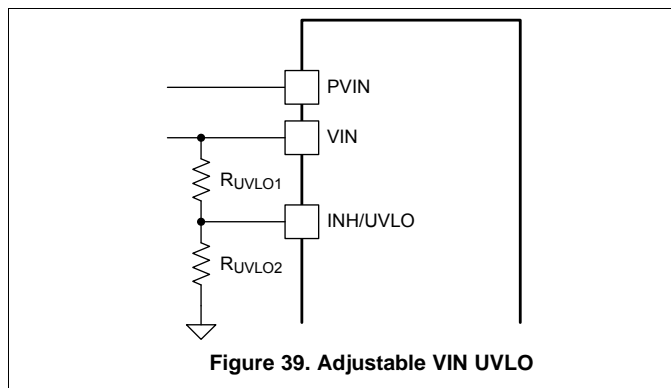


Figure 39. Adjustable VIN UVLO

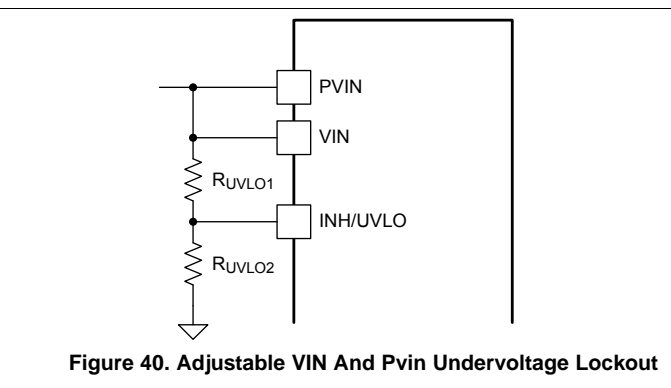


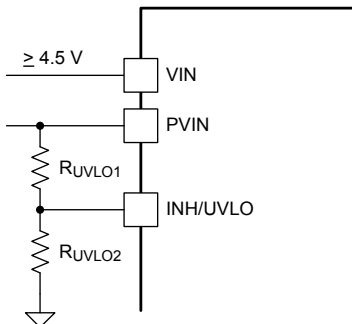
Figure 40. Adjustable VIN And Pvin Undervoltage Lockout

Table 8. Standard Resistor Values For Adjusting VIN UVLO

| VIN UVLO (V)              | 5    | 5.5  | 6    | 6.5  | 7    | 7.5  | 8    | 8.5  | 9    | 9.5  | 10   |
|---------------------------|------|------|------|------|------|------|------|------|------|------|------|
| $R_{UVLO1}$ (k $\Omega$ ) | 68.1 | 68.1 | 68.1 | 68.1 | 68.1 | 68.1 | 68.1 | 68.1 | 68.1 | 68.1 | 68.1 |
| $R_{UVLO2}$ (k $\Omega$ ) | 21.5 | 18.7 | 16.9 | 15.4 | 14.0 | 13.0 | 12.1 | 11.3 | 10.5 | 9.76 | 9.31 |
| Hysteresis (mV)           | 400  | 415  | 430  | 450  | 465  | 480  | 500  | 515  | 530  | 550  | 565  |



For a split rail application, if a secondary UVLO on PVIN is required, VIN must be  $\geq 4.5$  V. [Figure 41](#) shows the PVIN UVLO configuration. Use [Table 9](#) to select  $R_{UVLO1}$  and  $R_{UVLO2}$  for PVIN. If PVIN UVLO is set for less than 3.5 V, a 5.1-V zener diode must be added to clamp the voltage on the UVLO pin below 6 V.



**Figure 41. Adjustable PVIN Undervoltage Lockout, ( $V_{IN} \geq 4.5$  V)**

**Table 9. Standard Resistor Values For Adjusting Pvin UVLO, ( $V_{IN} \geq 4.5$  V)**

| PVIN UVLO (V)             | 2.9  | 3.0  | 3.5  | 4.0  | 4.5  |  |
|---------------------------|------|------|------|------|------|--|
| $R_{UVLO1}$ (k $\Omega$ ) | 68.1 | 68.1 | 68.1 | 68.1 | 68.1 | For higher PVIN UVLO voltages, see <a href="#">Table 8</a> for resistor values |
| $R_{UVLO2}$ (k $\Omega$ ) | 47.5 | 44.2 | 34.8 | 28.7 | 24.3 |  |
| Hysteresis (mV)           | 330  | 335  | 350  | 365  | 385  |  |

## 8 Application and Implementation

### NOTE

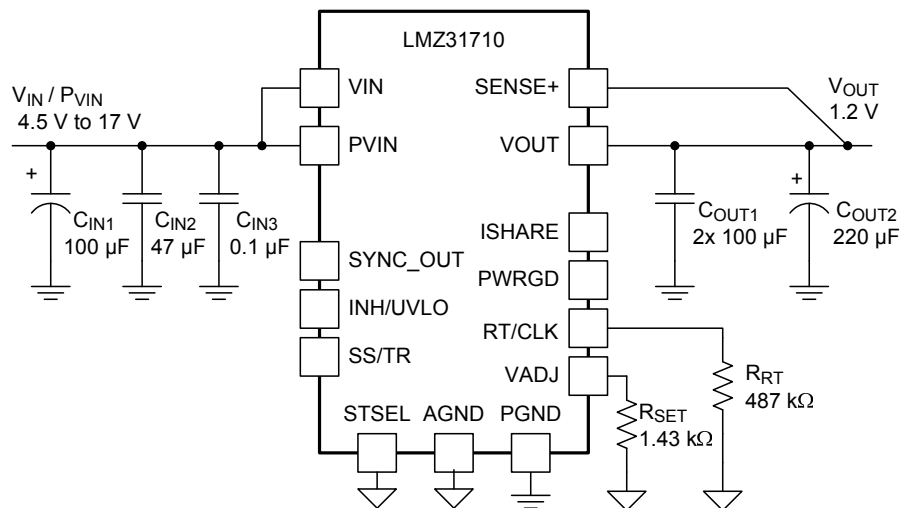
Information in the following applications sections is not part of the TI component specification, and TI does not warrant its accuracy or completeness. TI's customers are responsible for determining suitability of components for their purposes. Customers should validate and test their design implementation to confirm system functionality.

### 8.1 Application Information

The LMZ31710 power module is an easy-to-use integrated power solution that combines a 10-A DC/DC converter with power MOSFETs, a shielded inductor, and passives into a low profile, QFN package. This total power solution allows as few as three external components and eliminates the loop compensation and magnetics part selection process.

### 8.2 Typical Application

A typical LMZ31710 application requires input and output capacitors, a voltage setting resistor, and a switching frequency setting resistor. [Figure 42](#) shows a typical LMZ31710 schematic with only the minimum required components.



**Figure 42. Typical Schematic**  
 $P_{VIN} = V_{IN} = 4.5 \text{ V To } 17 \text{ V}, V_{OUT} = 1.2 \text{ V}$

#### 8.2.1 Design Requirements

For this design example, use the parameters listed in [Table 10](#) and follow these design procedures:

**Table 10. Design Parameters**

| DESIGN PARAMETER | EXAMPLE VALUE    |
|------------------|------------------|
| Input voltage    | 11.4 V to 12.6 V |
| Output voltage   | 1.2 V            |
| Output current   | 10 A             |

## 8.2.2 Detailed Design Procedure

### 8.2.2.1 Custom Design With WEBENCH® Tools

[Click here](#) to create a custom design using the LMZ31710 device with the WEBENCH® Power Designer.

1. Start by entering the input voltage ( $V_{IN}$ ), output voltage ( $V_{OUT}$ ), and output current ( $I_{OUT}$ ) requirements.
2. Optimize the design for key parameters such as efficiency, footprint, and cost using the optimizer dial.
3. Compare the generated design with other possible solutions from Texas Instruments.

The WEBENCH Power Designer provides a customized schematic along with a list of materials with real-time pricing and component availability.

In most cases, these actions are available:

- Run electrical simulations to see important waveforms and circuit performance
- Run thermal simulations to understand board thermal performance
- Export customized schematic and layout into popular CAD formats
- Print PDF reports for the design, and share the design with colleagues

Get more information about WEBENCH tools at [www.ti.com/WEBENCH](http://www.ti.com/WEBENCH).

### 8.2.2.2 Setting The Output Voltage

The output voltage of the LMZ31710 is externally adjustable using a single resistor ( $R_{SET}$ ). Select the value of  $R_{SET}$  from [Table 2](#) or calculate using [Equation 5](#).

$$R_{SET} = \frac{1.43}{\left(\left(\frac{V_{OUT}}{0.6}\right) - 1\right)} \text{ (k}\Omega\text{)} \quad (5)$$

To set the output voltage to 1.2 V, the calculated value for  $R_{SET}$  is 1.43 k $\Omega$ .

### 8.2.2.3 Setting the Switching Frequency

The recommended switching frequency for 1.2-V output voltage is 300 kHz. To set the switching frequency to 300 kHz, a 487-k $\Omega$   $R_{RT}$  resistor is required. Refer to [Table 2](#) for recommended switching frequencies for other output voltages.

### 8.2.2.4 Input Capacitance

The minimum required input capacitance for the LMZ31710 is 44  $\mu$ F of ceramic capacitance. However, adding a 0.1- $\mu$ F ceramic capacitor placed directly at the input pins of the device will help with high frequency bypassing. Additionally, adding a bulk input capacitor is helpful in applications with fast changing load current.

In this application, a combination of a 100- $\mu$ F bulk capacitor, a 47- $\mu$ F ceramic capacitor, and a 0.1- $\mu$ F ceramic capacitor was used.

### 8.2.2.5 Output Capacitance

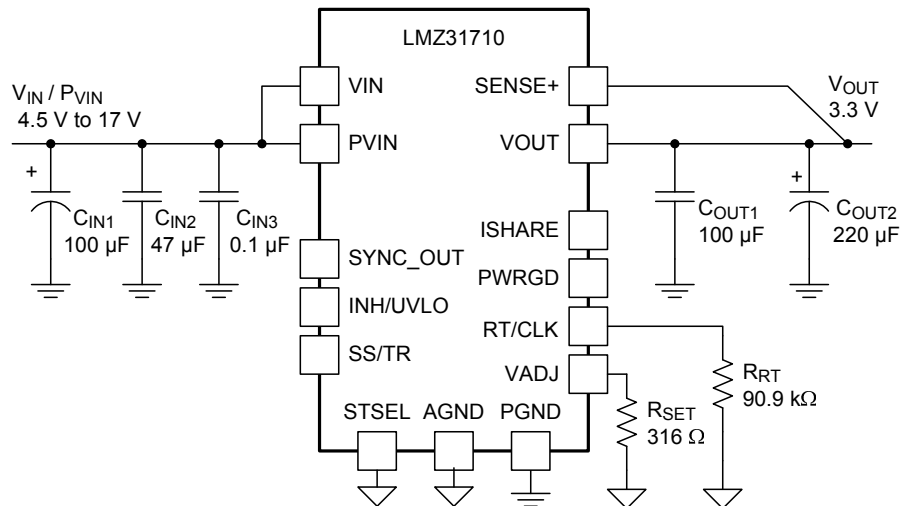
The amount of required output capacitance depends on the output voltage setting, as shown in [Table 3](#). For an output voltage of 1.2 V, the required minimum output capacitance is 200  $\mu$ F, with a requirement that at least 47  $\mu$ F must be ceramic type.

In this application, a combination of a 200  $\mu$ F of ceramic capacitance and a 220- $\mu$ F bulk capacitor was used. The additional 220- $\mu$ F bulk capacitor will help in applications with fast changing load current.

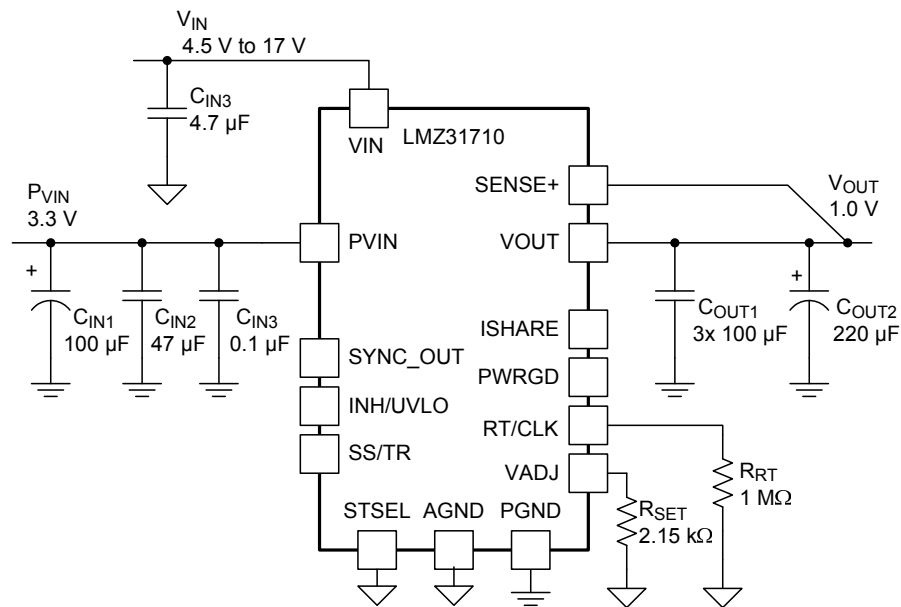
## 8.3 Additional Application Schematics

[Figure 43](#) and [Figure 44](#) show additional typical schematics. [Figure 43](#) shows a typical schematic for a 3.3-V output while PVIN and VIN are tied to the same input voltage rail. [Figure 44](#) shows a typical schematic for a 1.0 V output, however PVIN and VIN are powered from separate input voltage rails.

Additional Application Schematics (continued)



**Figure 43. Typical Schematic**  
**PVIN = VIN = 4.5 V To 17 V, Vout = 3.3 V**



**Figure 44. Typical Schematic**  
**PVIN = 3.3 V, VIN = 4.5 V To 17 V, Vout = 1.0 V**

9 Power Supply Recommendations

The LMZ31710 is designed to operate from an input voltage supply range between 2.95 V and 17 V. This input supply must be well-regulated and able to withstand maximum input current and maintain a stable voltage. The resistance of the input supply rail must be low enough that an input current transient does not cause a high enough drop at the supply voltage that can cause a false UVLO fault triggering and system reset.

If the input supply is located more than a few inches from the LMZ31710, additional bulk capacitance can be required at the input pins. A typical recommended amount of bulk input capacitance is 47 µF - 100 µF.

## 10 Layout

### 10.1 Layout Considerations

To achieve optimal electrical and thermal performance, an optimized PCB layout is required. Figure 45 through Figure 48 shows a typical PCB layout. Some considerations for an optimized layout are:

- Use large copper areas for power planes (PVIN, VOUT, and PGND) to minimize conduction loss and thermal stress.
- Place ceramic input and output capacitors close to the device pins to minimize high frequency noise.
- Locate additional output capacitors between the ceramic capacitor and the load.
- Keep AGND and PGND separate from one another.
- Place  $R_{SET}$ ,  $R_{RT}$ , and  $C_{SS}$  as close as possible to their respective pins.
- Use multiple vias to connect the power planes to internal layers.

### 10.2 Layout Examples

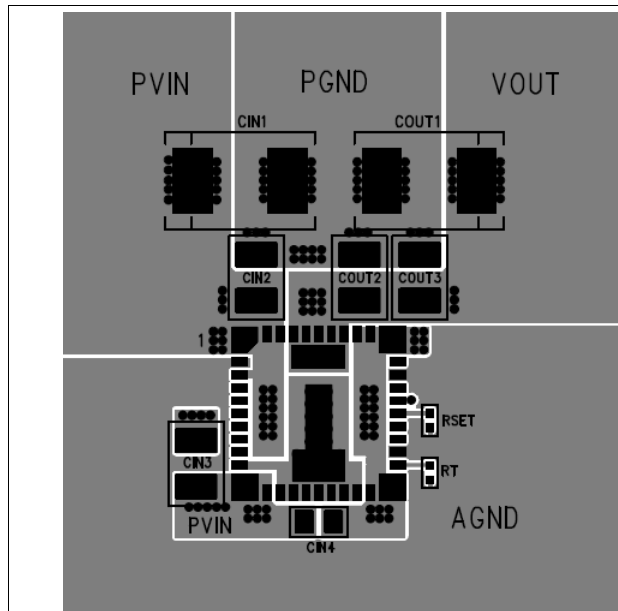


Figure 45. Typical Top-Layer Layout

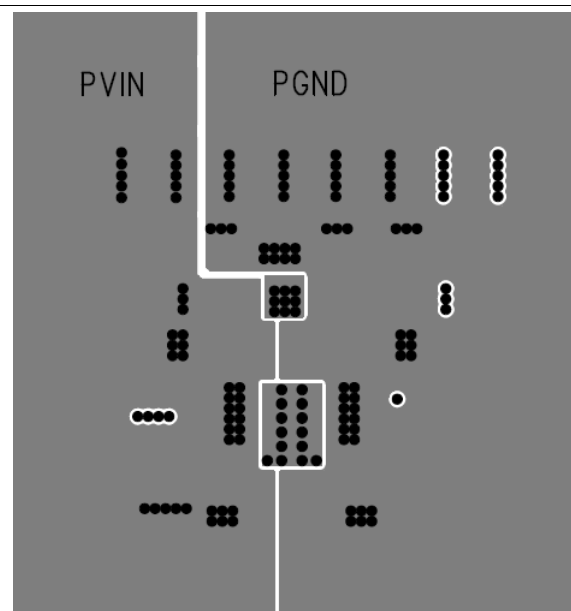
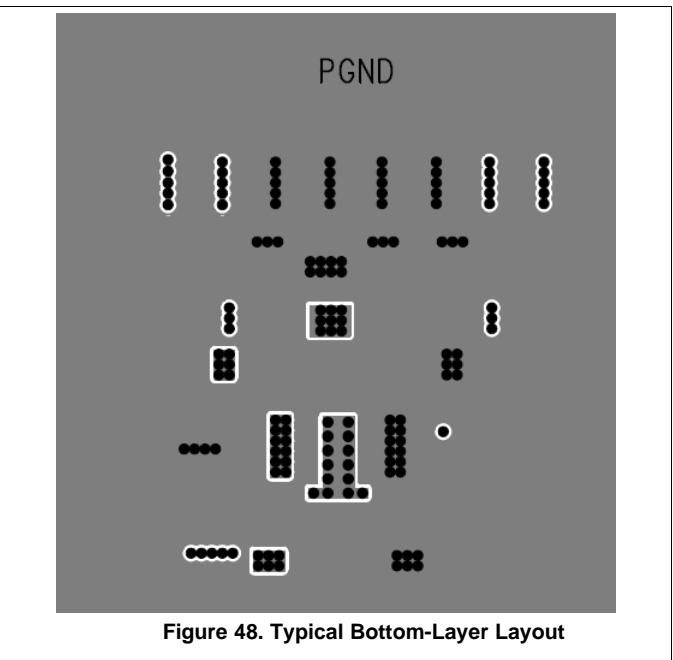
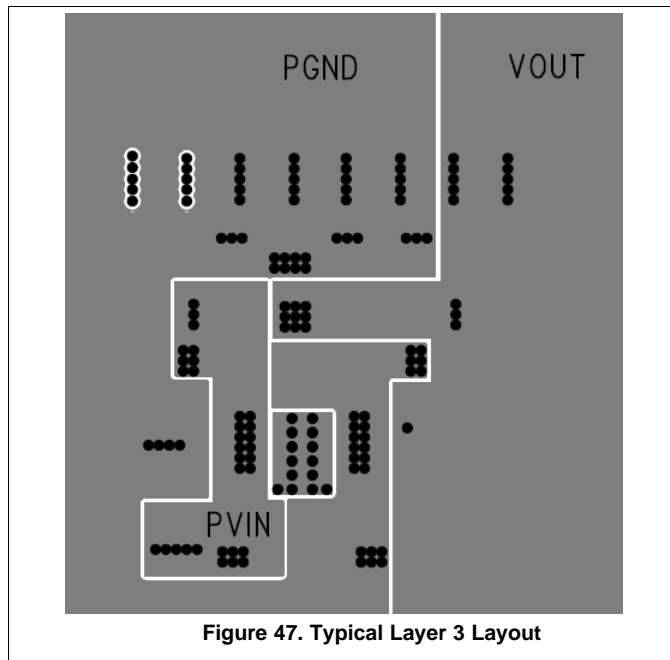


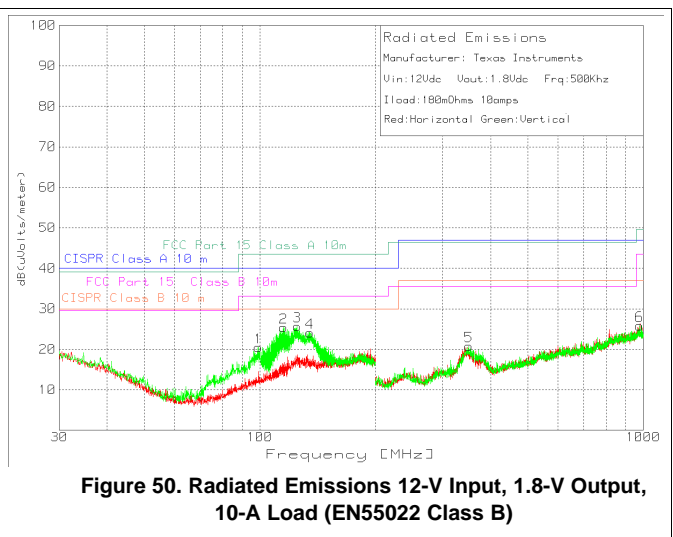
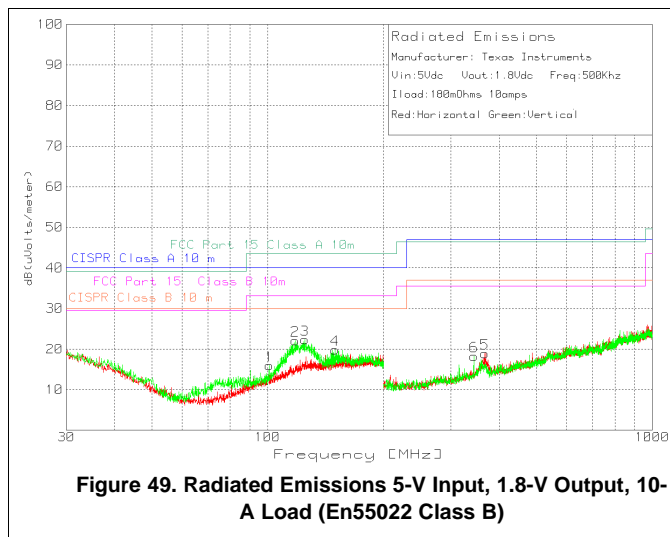
Figure 46. Typical Layer-2 Layout

### Layout Examples (continued)



### 10.2.1 EMI

The LMZ31710 is compliant with EN55022 Class B radiated emissions. [Figure 49](#) and [Figure 50](#) show typical examples of radiated emissions plots for the LMZ31710 operating from 5 V and 12 V, respectively. Both graphs include the plots of the antenna in the horizontal and vertical positions.



## 11 Device and Documentation Support

### 11.1 Device Support

#### 11.1.1 Development Support

##### 11.1.1.1 Custom Design With WEBENCH® Tools

Click [here](#) to create a custom design using the LMZ31710 device with the WEBENCH® Power Designer.

1. Start by entering the input voltage ( $V_{IN}$ ), output voltage ( $V_{OUT}$ ), and output current ( $I_{OUT}$ ) requirements.
2. Optimize the design for key parameters such as efficiency, footprint, and cost using the optimizer dial.
3. Compare the generated design with other possible solutions from Texas Instruments.

The WEBENCH Power Designer provides a customized schematic along with a list of materials with real-time pricing and component availability.

In most cases, these actions are available:

- Run electrical simulations to see important waveforms and circuit performance
- Run thermal simulations to understand board thermal performance
- Export customized schematic and layout into popular CAD formats
- Print PDF reports for the design, and share the design with colleagues

Get more information about WEBENCH tools at [www.ti.com/WEBENCH](http://www.ti.com/WEBENCH).

#### 11.1.2 Third-Party Products Disclaimer

TI'S PUBLICATION OF INFORMATION REGARDING THIRD-PARTY PRODUCTS OR SERVICES DOES NOT CONSTITUTE AN ENDORSEMENT REGARDING THE SUITABILITY OF SUCH PRODUCTS OR SERVICES OR A WARRANTY, REPRESENTATION OR ENDORSEMENT OF SUCH PRODUCTS OR SERVICES, EITHER ALONE OR IN COMBINATION WITH ANY TI PRODUCT OR SERVICE.

### 11.2 Documentation Support

#### 11.2.1 Related Documentation

For related documentation see the following:

- Texas Instruments, [LMZ31710 EVM User's Guide](#)
- Texas Instruments, [LMZ31710 Parallel EVM User's Guide](#)
- Texas Instruments, [LMZ31707 \(7A\) Datasheet](#)
- Texas Instruments, [LMZ31704 \(4A\) Datasheet](#)
- Texas Instruments, [Soldering Requirements for BQFN Packages](#)

#### 11.3 Receiving Notification of Documentation Updates

To receive notification of documentation updates, navigate to the device product folder on ti.com. In the upper right corner, click on *Alert me* to register and receive a weekly digest of any product information that has changed. For change details, review the revision history included in any revised document.

#### 11.4 Support Resources

TI E2E™ support forums are an engineer's go-to source for fast, verified answers and design help — straight from the experts. Search existing answers or ask your own question to get the quick design help you need.

Linked content is provided "AS IS" by the respective contributors. They do not constitute TI specifications and do not necessarily reflect TI's views; see TI's [Terms of Use](#).

#### 11.5 Trademarks

Eco-Mode, E2E are trademarks of Texas Instruments.

All other trademarks are the property of their respective owners.

### 11.6 Electrostatic Discharge Caution



These devices have limited built-in ESD protection. The leads should be shorted together or the device placed in conductive foam during storage or handling to prevent electrostatic damage to the MOS gates.

### 11.7 Glossary

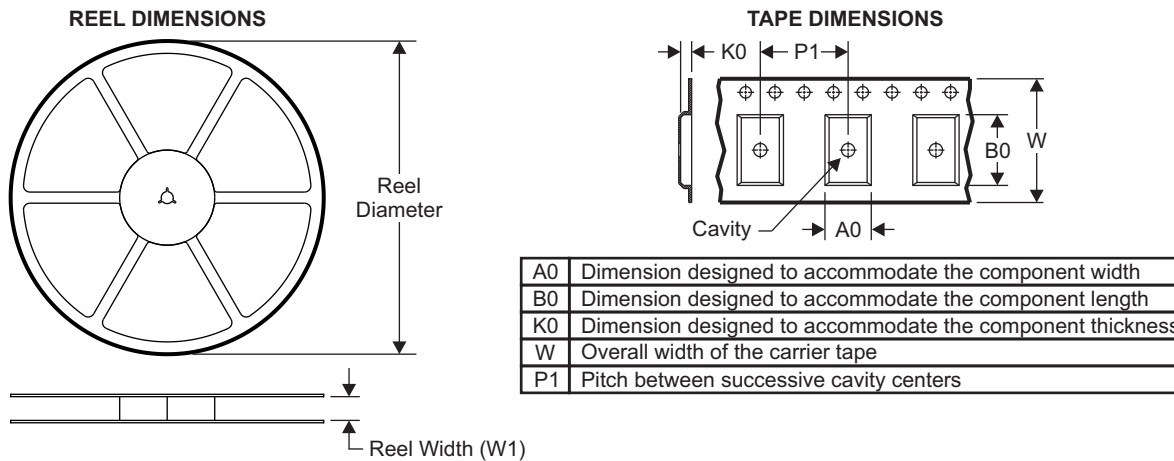
SLYZ022 — TI Glossary.

This glossary lists and explains terms, acronyms, and definitions.

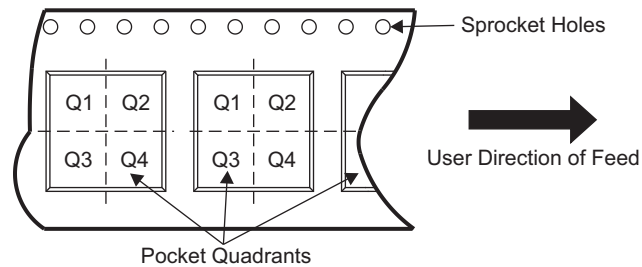
## 12 Mechanical, Packaging, and Orderable Information

The following pages include mechanical, packaging, and orderable information. This information is the most current data available for the designated devices. This data is subject to change without notice and revision of this document. For browser-based versions of this data sheet, refer to the left-hand navigation.

### 12.1 Tape and Reel Information



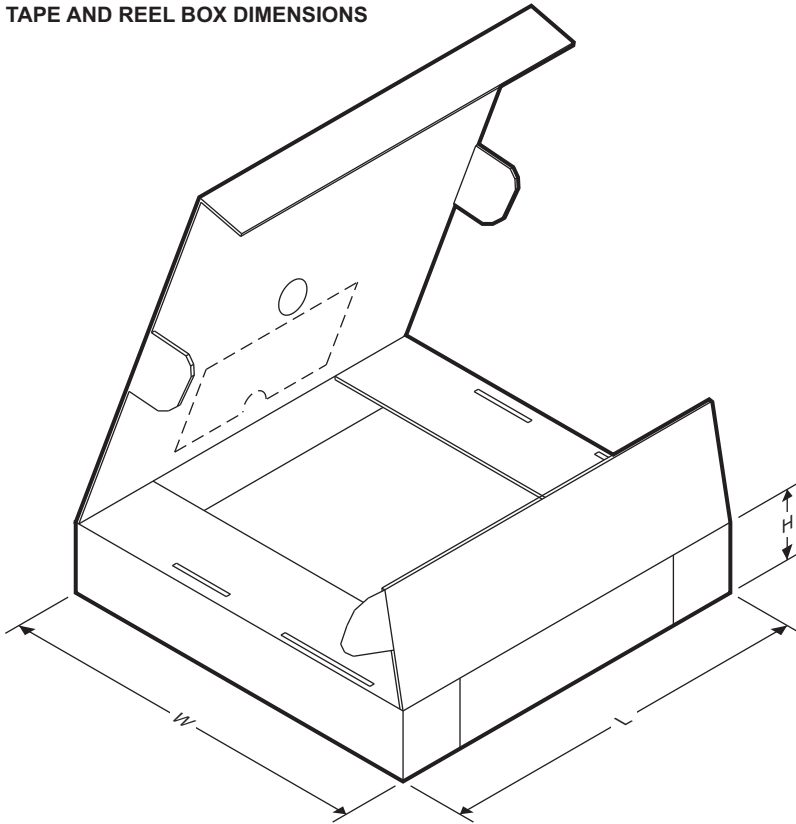
#### QUADRANT ASSIGNMENTS FOR PIN 1 ORIENTATION IN TAPE



| Device       | Package Type | Package Drawing | Pins | SPQ | Reel Diameter (mm) | Reel Width W1 (mm) | A0 (mm) | B0 (mm) | K0 (mm) | P1 (mm) | W (mm) | Pin1 Quadrant |
|--------------|--------------|-----------------|------|-----|--------------------|--------------------|---------|---------|---------|---------|--------|---------------|
| LMZ31710RVQR | B3QFN        | RVQ             | 42   | 500 | 330.0              | 24.4               | 10.35   | 10.35   | 4.6     | 16.0    | 24.0   | Q2            |
| LMZ31710RVQT | B3QFN        | RVQ             | 42   | 250 | 330.0              | 24.4               | 10.35   | 10.35   | 4.6     | 16.0    | 24.0   | Q2            |



TAPE AND REEL BOX DIMENSIONS



| Device       | Package Type | Package Drawing | Pins | SPQ | Length (mm) | Width (mm) | Height (mm) |
|--------------|--------------|-----------------|------|-----|-------------|------------|-------------|
| LMZ31710RVQR | B3QFN        | RVQ             | 42   | 500 | 383.0       | 353.0      | 58.0        |
| LMZ31710RVQT | B3QFN        | RVQ             | 42   | 250 | 383.0       | 353.0      | 58.0        |

## PACKAGING INFORMATION

| Orderable part number        | Status<br>(1) | Material type<br>(2) | Package   Pins   | Package qty   Carrier | RoHS<br>(3) | Lead finish/<br>Ball material<br>(4) | MSL rating/<br>Peak reflow<br>(5) | Op temp (°C) | Part marking<br>(6) |
|------------------------------|---------------|----------------------|------------------|-----------------------|-------------|--------------------------------------|-----------------------------------|--------------|---------------------|
| <a href="#">LMZ31710RVQR</a> | Active        | Production           | B3QFN (RVQ)   42 | 500   LARGE T&R       | Exempt      | NIPDAU                               | Level-3-245C-168 HR               | -40 to 85    | (54020, LMZ31710)   |
| LMZ31710RVQR.A               | Active        | Production           | B3QFN (RVQ)   42 | 500   LARGE T&R       | Exempt      | NIPDAU                               | Level-3-245C-168 HR               | -40 to 85    | (54020, LMZ31710)   |
| <a href="#">LMZ31710RVQT</a> | Active        | Production           | B3QFN (RVQ)   42 | 250   SMALL T&R       | Exempt      | NIPDAU                               | Level-3-245C-168 HR               | -40 to 85    | (54020, LMZ31710)   |
| LMZ31710RVQT.A               | Active        | Production           | B3QFN (RVQ)   42 | 250   SMALL T&R       | Exempt      | NIPDAU                               | Level-3-245C-168 HR               | -40 to 85    | (54020, LMZ31710)   |
| LMZ31710RVQTG4               | Active        | Production           | B3QFN (RVQ)   42 | 250   SMALL T&R       | Exempt      | NIPDAU                               | Level-3-245C-168 HR               | -40 to 85    | LMZ31710            |
| LMZ31710RVQTG4.A             | Active        | Production           | B3QFN (RVQ)   42 | 250   SMALL T&R       | Exempt      | NIPDAU                               | Level-3-245C-168 HR               | -40 to 85    | LMZ31710            |
| LMZ31710RVQTG4.B             | Active        | Production           | B3QFN (RVQ)   42 | 250   SMALL T&R       | Exempt      | NIPDAU                               | Level-3-245C-168 HR               | -40 to 85    | LMZ31710            |

(1) **Status:** For more details on status, see our [product life cycle](#).

(2) **Material type:** When designated, preproduction parts are prototypes/experimental devices, and are not yet approved or released for full production. Testing and final process, including without limitation quality assurance, reliability performance testing, and/or process qualification, may not yet be complete, and this item is subject to further changes or possible discontinuation. If available for ordering, purchases will be subject to an additional waiver at checkout, and are intended for early internal evaluation purposes only. These items are sold without warranties of any kind.

(3) **RoHS values:** Yes, No, RoHS Exempt. See the [TI RoHS Statement](#) for additional information and value definition.

(4) **Lead finish/Ball material:** Parts may have multiple material finish options. Finish options are separated by a vertical ruled line. Lead finish/Ball material values may wrap to two lines if the finish value exceeds the maximum column width.

(5) **MSL rating/Peak reflow:** The moisture sensitivity level ratings and peak solder (reflow) temperatures. In the event that a part has multiple moisture sensitivity ratings, only the lowest level per JEDEC standards is shown. Refer to the shipping label for the actual reflow temperature that will be used to mount the part to the printed circuit board.

(6) **Part marking:** There may be an additional marking, which relates to the logo, the lot trace code information, or the environmental category of the part.

Multiple part markings will be inside parentheses. Only one part marking contained in parentheses and separated by a "-" will appear on a part. If a line is indented then it is a continuation of the previous line and the two combined represent the entire part marking for that device.

**Important Information and Disclaimer:** The information provided on this page represents TI's knowledge and belief as of the date that it is provided. TI bases its knowledge and belief on information provided by third parties, and makes no representation or warranty as to the accuracy of such information. Efforts are underway to better integrate information from third parties. TI has taken and continues to take reasonable steps to provide representative and accurate information but may not have conducted destructive testing or chemical analysis on incoming materials and chemicals. TI and TI suppliers consider certain information to be proprietary, and thus CAS numbers and other limited information may not be available for release.

In no event shall TI's liability arising out of such information exceed the total purchase price of the TI part(s) at issue in this document sold by TI to Customer on an annual basis.



**TAPE AND REEL INFORMATION**

**QUADRANT ASSIGNMENTS FOR PIN 1 ORIENTATION IN TAPE**


\*All dimensions are nominal

| Device         | Package Type | Package Drawing | Pins | SPQ | Reel Diameter (mm) | Reel Width W1 (mm) | A0 (mm) | B0 (mm) | K0 (mm) | P1 (mm) | W (mm) | Pin1 Quadrant |
|----------------|--------------|-----------------|------|-----|--------------------|--------------------|---------|---------|---------|---------|--------|---------------|
| LMZ31710RVQR   | B3QFN        | RVQ             | 42   | 500 | 330.0              | 24.4               | 10.35   | 10.35   | 4.6     | 16.0    | 24.0   | Q2            |
| LMZ31710RVQT   | B3QFN        | RVQ             | 42   | 250 | 330.0              | 24.4               | 10.35   | 10.35   | 4.6     | 16.0    | 24.0   | Q2            |
| LMZ31710RVQTG4 | B3QFN        | RVQ             | 42   | 250 | 330.0              | 24.4               | 10.35   | 10.35   | 4.6     | 16.0    | 24.0   | Q2            |

## TAPE AND REEL BOX DIMENSIONS



\*All dimensions are nominal

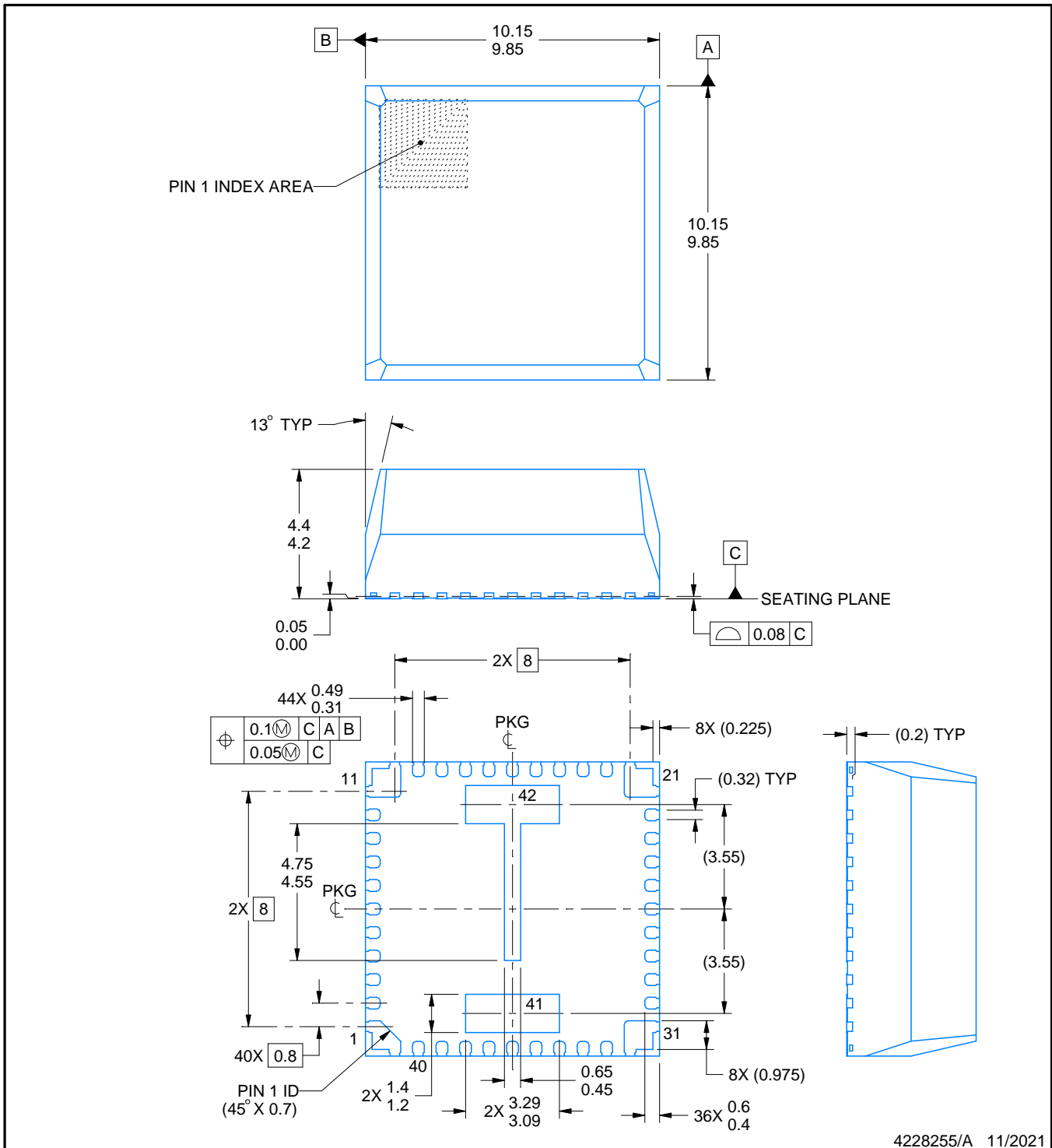
| Device         | Package Type | Package Drawing | Pins | SPQ | Length (mm) | Width (mm) | Height (mm) |
|----------------|--------------|-----------------|------|-----|-------------|------------|-------------|
| LMZ31710RVQR   | B3QFN        | RVQ             | 42   | 500 | 383.0       | 353.0      | 58.0        |
| LMZ31710RVQT   | B3QFN        | RVQ             | 42   | 250 | 383.0       | 353.0      | 58.0        |
| LMZ31710RVQTG4 | B3QFN        | RVQ             | 42   | 250 | 383.0       | 353.0      | 58.0        |

# PACKAGE OUTLINE

RVQ0042A

B3QFN - 4.4 mm max height

SUPER THICK QUAD FLATPACK - NO LEAD



NOTES:

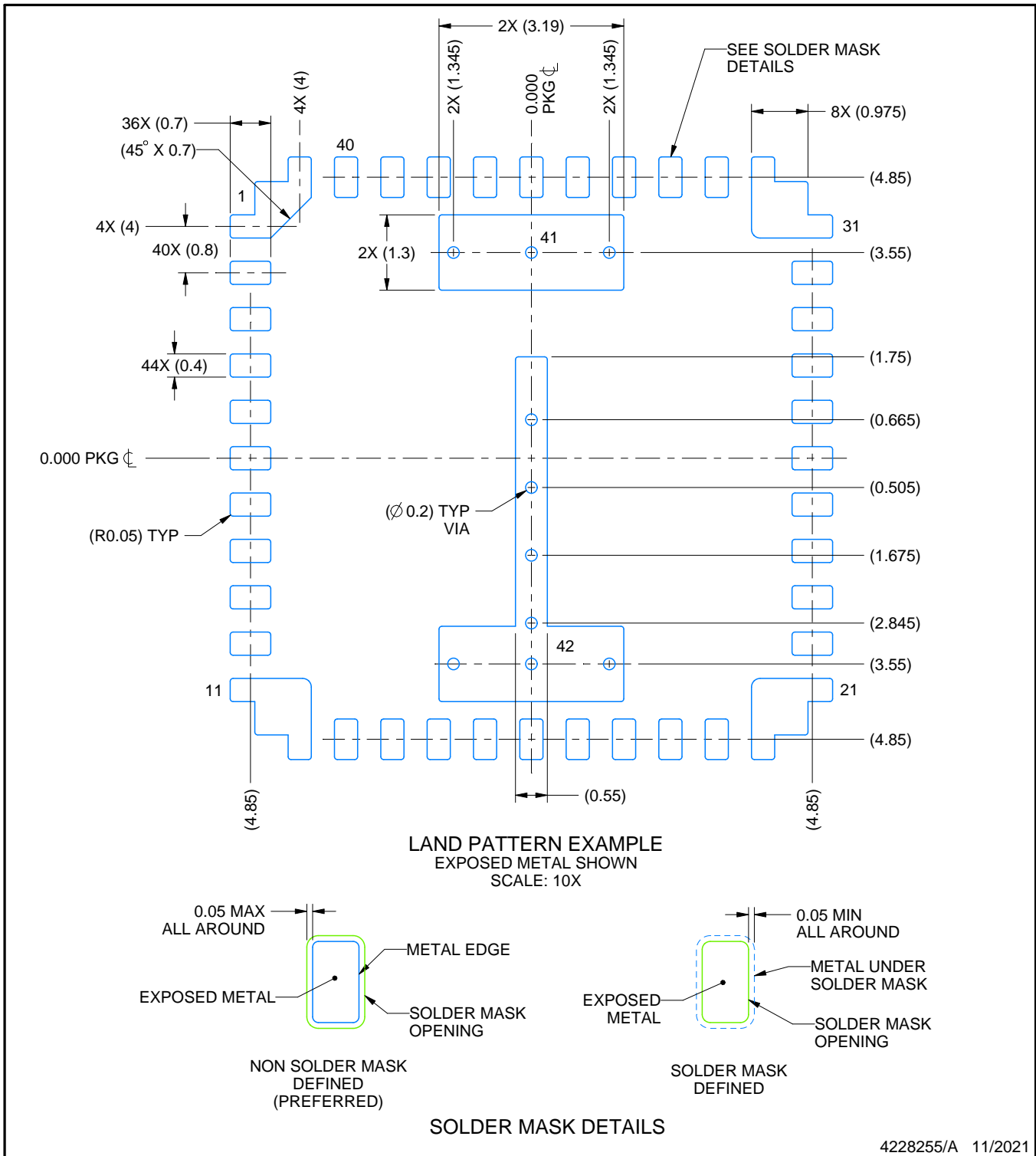
1. All linear dimensions are in millimeters. Any dimensions in parenthesis are for reference only. Dimensioning and tolerancing per ASME Y14.5M.
2. This drawing is subject to change without notice.
3. The package thermal pad must be soldered to the printed circuit board for thermal and mechanical performance.

# EXAMPLE BOARD LAYOUT

RVQ0042A

B3QFN - 4.4 mm max height

SUPER THICK QUAD FLATPACK - NO LEAD



4228255/A 11/2021

NOTES: (continued)

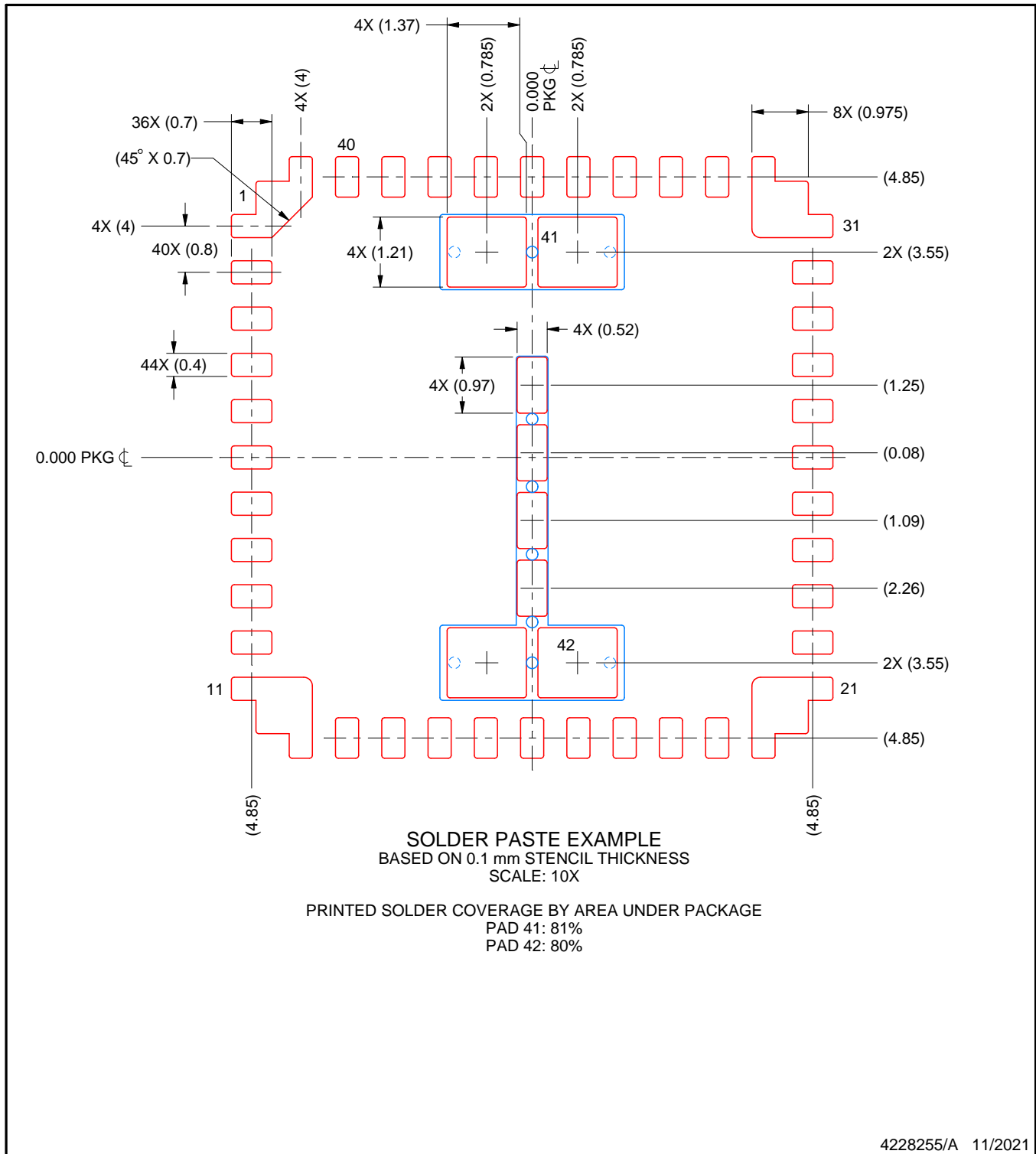
- This package is designed to be soldered to a thermal pad on the board. For more information, see Texas Instruments literature number SLUA271 ([www.ti.com/lit/slua271](http://www.ti.com/lit/slua271)).
- Vias are optional depending on application, refer to device data sheet. If any vias are implemented, refer to their locations shown on this view. It is recommended that vias under paste be filled, plugged or tented.

# EXAMPLE STENCIL DESIGN

RVQ0042A

B3QFN - 4.4 mm max height

SUPER THICK QUAD FLATPACK - NO LEAD



NOTES: (continued)

6. Laser cutting apertures with trapezoidal walls and rounded corners may offer better paste release. IPC-7525 may have alternate design recommendations.



## IMPORTANT NOTICE AND DISCLAIMER

TI PROVIDES TECHNICAL AND RELIABILITY DATA (INCLUDING DATASHEETS), DESIGN RESOURCES (INCLUDING REFERENCE DESIGNS), APPLICATION OR OTHER DESIGN ADVICE, WEB TOOLS, SAFETY INFORMATION, AND OTHER RESOURCES "AS IS" AND WITH ALL FAULTS, AND DISCLAIMS ALL WARRANTIES, EXPRESS AND IMPLIED, INCLUDING WITHOUT LIMITATION ANY IMPLIED WARRANTIES OF MERCHANTABILITY, FITNESS FOR A PARTICULAR PURPOSE OR NON-INFRINGEMENT OF THIRD PARTY INTELLECTUAL PROPERTY RIGHTS.

These resources are intended for skilled developers designing with TI products. You are solely responsible for (1) selecting the appropriate TI products for your application, (2) designing, validating and testing your application, and (3) ensuring your application meets applicable standards, and any other safety, security, regulatory or other requirements.

These resources are subject to change without notice. TI grants you permission to use these resources only for development of an application that uses the TI products described in the resource. Other reproduction and display of these resources is prohibited. No license is granted to any other TI intellectual property right or to any third party intellectual property right. TI disclaims responsibility for, and you fully indemnify TI and its representatives against any claims, damages, costs, losses, and liabilities arising out of your use of these resources.

TI's products are provided subject to [TI's Terms of Sale](#), [TI's General Quality Guidelines](#), or other applicable terms available either on [ti.com](http://ti.com) or provided in conjunction with such TI products. TI's provision of these resources does not expand or otherwise alter TI's applicable warranties or warranty disclaimers for TI products. Unless TI explicitly designates a product as custom or customer-specified, TI products are standard, catalog, general purpose devices.

TI objects to and rejects any additional or different terms you may propose.

Copyright © 2026, Texas Instruments Incorporated

Last updated 10/2025