

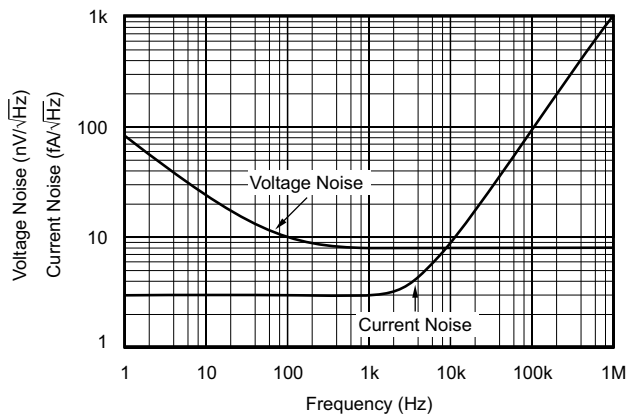
OPAx132 High-Speed FET-Input Operational Amplifiers

1 Features

- A newer version of this device is now available: [OPA2156](#)
- FET input: $I_B = 50\text{pA}$ Maximum
- Wide bandwidth: 8MHz
- High slew rate: 20V/ μs
- Low noise: 8nV/ $\sqrt{\text{Hz}}$ (1kHz)
- Low distortion: 0.00008%
- High open-loop gain: 126dB (2k Ω load)
- Wide supply range: $\pm 2.5\text{V}$ to $\pm 18\text{V}$
- Low offset voltage: 500 μV maximum
- Single, dual, and quad versions

2 Applications

- SAR ADC driver
- Voltage reference buffer
- Trans-impedance amplifier
- Photodiode amplifier
- Active filter
- Integrator



Low-Noise JFET Input

3 Description

The OPA132, OPA2132, and OPA4132 (OPAx132) series of FET-input operational amplifiers provides high speed and excellent dc performance. The combination of high slew rate and wide bandwidth provide fast settling time. The single, dual, and quad versions have identical specifications for maximum design flexibility. High-performance grades are available in the single and dual versions. All are an excellent choice for general-purpose, audio, data-acquisition, and communications applications, especially where high source impedance is encountered.

The OPAx132 operational amplifiers are easy to use and free from phase inversion and overload problems often found in common FET-input operational amplifiers. Input cascode circuitry provides excellent common-mode rejection and maintains low input bias current over the wide input voltage range. The OPAx132 series of operational amplifiers are stable in unity gain and provide excellent dynamic behavior over a wide range of load conditions, including high load capacitance. Dual and quad versions feature completely independent circuitry for lowest crosstalk and freedom from interaction, even when overdriven or overloaded.

The single version is available in 8-pin SOIC surface mount package, the dual version is available in 8-pin DIP and SOIC surface-mount packages. The quad version is available in SOIC surface-mount packages. All are specified for -40°C to $+85^\circ\text{C}$ operation.

The [OPA2156](#) is a next-generation version, offering lower broadband noise (3nV/ $\sqrt{\text{Hz}}$), wider bandwidth (25MHz), and rail-to-rail inputs.

Device Information

PART NUMBER	CHANNEL COUNT	PACKAGE ⁽¹⁾
OPA132	Single	D (SOIC, 8)
OPA2132	Dual	D (SOIC, 8)
		P (PDIP, 8)
OPA4132	Quad	D (SOIC, 14)

(1) For more information, see [Section 10](#).



Table of Contents

1 Features	1	6.4 Device Functional Modes.....	11
2 Applications	1	7 Application and Implementation	12
3 Description	1	7.1 Application Information.....	12
4 Pin Configuration and Functions	3	7.2 Typical Application.....	13
5 Specifications	5	7.3 Power Supply Recommendations.....	14
5.1 Absolute Maximum Ratings.....	5	7.4 Layout.....	14
5.2 ESD Ratings.....	5	8 Device and Documentation Support	16
5.3 Recommended Operating Conditions.....	5	8.1 Device Support.....	16
5.4 Thermal Information - OPA132.....	6	8.2 Documentation Support.....	16
5.5 Thermal Information - OPA2132.....	6	8.3 Receiving Notification of Documentation Updates....	16
5.6 Thermal Information - OPA4132.....	6	8.4 Support Resources.....	16
5.7 Electrical Characteristics.....	7	8.5 Trademarks.....	16
5.8 Typical Characteristics.....	8	8.6 Electrostatic Discharge Caution.....	17
6 Detailed Description	11	8.7 Glossary.....	17
6.1 Overview.....	11	9 Revision History	17
6.2 Functional Block Diagram.....	11	10 Mechanical, Packaging, and Orderable Information	18
6.3 Feature Description.....	11		

4 Pin Configuration and Functions

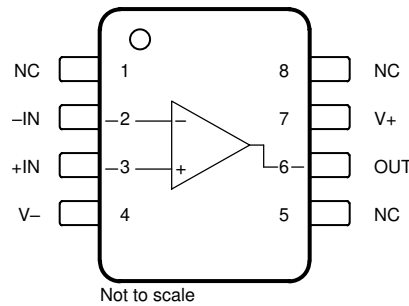


Figure 4-1. OPA132: D Package, 8-Pin SOIC (Top View)

Pin Functions: OPA132

PIN		TYPE	DESCRIPTION
NAME	NO.		
+IN	3	Input	Noninverting input
-IN	2	Input	Inverting input
NC	1, 5	—	Do not connect these pins ⁽¹⁾
NC	8	—	No internal connection. Float this pin.
Output	6	Output	Output
V+	7	Power	Positive power supply
V-	4	Power	Negative power supply

(1) Existing layouts for the OPA132 before revision C of this data sheet do not need to be redesigned.

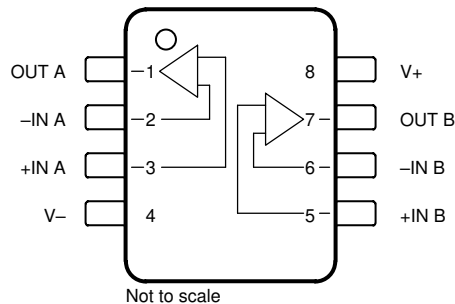


Figure 4-2. OPA2132: D Package, 8-Pin SOIC, and P Package, 8-Pin PDIP (Top View)

Table 4-1. Pin Functions: OPA2132

PIN		TYPE	DESCRIPTION
NAME	NO.		
+IN A	3	Input	Noninverting input, channel A
+IN B	5	Input	Noninverting input, channel B
-IN A	2	Input	Inverting input, channel A
-IN B	6	Input	Inverting input, channel B
OUT A	1	Output	Output, channel A
OUT B	7	Output	Output, channel B
V+	8	Power	Positive (highest) power supply
V-	4	Power	Negative (lowest) power supply

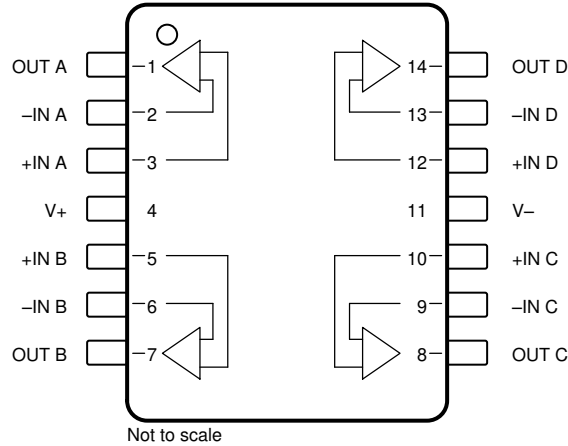


Figure 4-3. OPA4132- D Package, 14-Pin SOIC (Top View)

Table 4-2. Pin Functions: OPA4132

PIN		TYPE	DESCRIPTION
NAME	NO.		
+IN A	3	Input	Noninverting input, channel A
+IN B	5	Input	Noninverting input, channel B
+IN C	10	Input	Noninverting input, channel C
+IN D	12	Input	Noninverting input, channel D
-IN A	2	Input	Inverting input, channel A
-IN B	6	Input	Inverting input, channel B
-IN C	9	Input	Inverting input, channel C
-IN D	13	Input	Inverting input, channel D
OUT A	1	Output	Output, channel A
OUT B	7	Output	Output, channel B
OUT C	8	Output	Output, channel C
OUT D	14	Output	Output, channel D
V+	4	Power	Positive (highest) power supply
V-	11	Power	Negative (lowest) power supply

5 Specifications

5.1 Absolute Maximum Ratings

over operating free-air temperature range (unless otherwise noted)⁽¹⁾

		MIN	MAX	UNIT
V _S	Supply voltage, (V+) – (V–)		36	V
	Input voltage ⁽²⁾	(V–) – 0.5	(V+) + 0.5	V
	Input current ⁽²⁾		±10	mA
I _{SC}	Output short-circuit ⁽³⁾	Continuous		
T _A	Operating temperature	–40	125	°C
T _J	Junction temperature		150	°C
T _{stg}	Storage temperature	–55	125	°C

- (1) Operation outside the *Absolute Maximum Ratings* may cause permanent device damage. *Absolute Maximum Ratings* do not imply functional operation of the device at these or any other conditions beyond those listed under *Recommended Operating Conditions*. If used outside the *Recommended Operating Conditions* but within the *Absolute Maximum Ratings*, the device may not be fully functional, and this may affect device reliability, functionality, performance, and shorten the device lifetime.
- (2) Input pins are diode-clamped to the power-supply rails. Input signals that can swing more than 0.5V beyond the supply rails must be current limited to 10mA or less.
- (3) Short-circuit to ground, one amplifier per package.

5.2 ESD Ratings

			VALUE	UNIT
OPA132 in SOIC Package, OPA2132 in PDIP Package				
V _(ESD)	Electrostatic discharge	Human-body model (HBM), per ANSI/ESDA/JEDEC JS-001 ⁽¹⁾	±2000	V
OPA2132 in SOIC Package				
V _(ESD)	Electrostatic discharge	Human-body model (HBM), per ANSI/ESDA/JEDEC JS-001 ⁽¹⁾	±2000	V
		Charged-device model (CDM), per JEDEC specification JESD22-C101 ⁽²⁾	±500	
OPA4132				
V _(ESD)	Electrostatic discharge	Human-body model (HBM), per ANSI/ESDA/JEDEC JS-001 ⁽¹⁾	±2000	V
		Charged-device model (CDM), per JEDEC specification JESD22-C101 ⁽²⁾	±200	

- (1) JEDEC document JEP155 states that 500V HBM allows safe manufacturing with a standard ESD control process.
- (2) JEDEC document JEP157 states that 250V CDM allows safe manufacturing with a standard ESD control process.

5.3 Recommended Operating Conditions

over operating free-air temperature range (unless otherwise noted)

		MIN	NOM	MAX	UNIT	
V _S	Supply voltage, (V+) – (V–)	Dual supply	±2.5	±15	±18	V
		Single supply	9	30	36	
T _A	Ambient temperature	–40		85	°C	

5.4 Thermal Information - OPA132

THERMAL METRIC ⁽¹⁾		OPA132		UNIT
		D (SOIC)		
		8 PINS		
$R_{\theta JA}$	Junction-to-ambient thermal resistance	160		°C/W
$R_{\theta JC(top)}$	Junction-to-case (top) thermal resistance	75		°C/W
$R_{\theta JB}$	Junction-to-board thermal resistance	60		°C/W
Ψ_{JT}	Junction-to-top characterization parameter	9		°C/W
Ψ_{JB}	Junction-to-board characterization parameter	50		°C/W
$R_{\theta JC(bot)}$	Junction-to-case (bottom) thermal resistance	N/A		°C/W

(1) For more information about traditional and new thermal metrics, see the [Semiconductor and IC Package Thermal Metrics](#) application report.

5.5 Thermal Information - OPA2132

THERMAL METRIC ⁽¹⁾		OPA2132		UNIT
		D (SOIC)	P (PDIP)	
		8 PINS	8 PINS	
$R_{\theta JA}$	Junction-to-ambient thermal resistance	160	71	°C/W
$R_{\theta JC(top)}$	Junction-to-case (top) thermal resistance	75	50	°C/W
$R_{\theta JB}$	Junction-to-board thermal resistance	60	36	°C/W
Ψ_{JT}	Junction-to-top characterization parameter	9	16	°C/W
Ψ_{JB}	Junction-to-board characterization parameter	50	35	°C/W
$R_{\theta JC(bot)}$	Junction-to-case (bottom) thermal resistance	N/A	N/A	°C/W

(1) For more information about traditional and new thermal metrics, see the [Semiconductor and IC Package Thermal Metrics](#) application report.

5.6 Thermal Information - OPA4132

THERMAL METRIC ⁽¹⁾		OPA4132		UNIT
		D (SOIC)		
		14 PINS		
$R_{\theta JA}$	Junction-to-ambient thermal resistance	97		°C/W
$R_{\theta JC(top)}$	Junction-to-case (top) thermal resistance	56		°C/W
$R_{\theta JB}$	Junction-to-board thermal resistance	53		°C/W
Ψ_{JT}	Junction-to-top characterization parameter	19		°C/W
Ψ_{JB}	Junction-to-board characterization parameter	46		°C/W
$R_{\theta JC(bot)}$	Junction-to-case (bottom) thermal resistance	N/A		°C/W

(1) For more information about traditional and new thermal metrics, see the [Semiconductor and IC Package Thermal Metrics](#) application report.

5.7 Electrical Characteristics

at $T_A = 25^\circ\text{C}$, $V_S = \pm 15\text{V}$, $R_L = 2\text{k}\Omega$ connected to midsupply, and $V_{CM} = V_{OUT} = \text{midsupply}$ (unless otherwise noted)

PARAMETER		TEST CONDITIONS		MIN	TYP	MAX	UNIT
OFFSET VOLTAGE							
V_{OS}	Input offset voltage	OPAx132U			± 0.2	± 0.5	mV
		OPAx132UA			± 0.5	± 2	
dV_{OS}/dT	Input offset voltage drift	$T_A = -40^\circ\text{C}$ to $+85^\circ\text{C}$			± 2	± 10	$\mu\text{V}/^\circ\text{C}$
PSRR	Power-supply rejection ratio	$\pm 2.5\text{V} \leq V_S \leq \pm 18\text{V}$	OPAx132U		± 5	± 15	$\mu\text{V}/\text{V}$
			OPAx132UA		± 5	± 30	
	Channel separation (dual and quad)	$R_L = 2\text{k}\Omega$			0.2		$\mu\text{V}/\text{V}$
INPUT BIAS CURRENT							
I_B	Input bias current ⁽¹⁾				± 5	± 50	pA
		$T_A = -40^\circ\text{C}$ to $+85^\circ\text{C}$		See Typical Characteristics			
I_{OS}	Input offset current ⁽¹⁾				± 2	± 50	pA
NOISE							
e_n	Input voltage noise density	$f = 10\text{Hz}$			23		$\text{nV}/\sqrt{\text{Hz}}$
		$f = 100\text{Hz}$			10		
		$f = 1\text{kHz}$			8		
		$f = 10\text{kHz}$			8		
I_n	Input current noise density	$f = 1\text{kHz}$			3		$\text{fA}/\sqrt{\text{Hz}}$
INPUT VOLTAGE							
V_{CM}	Common-mode voltage			$(V_-) + 2.5$	± 13	$(V_+) - 3.5$	V
CMRR	Common-mode rejection ratio	$-12.5\text{V} \leq V_{CM} \leq 11.5\text{V}$	OPAx132U		96	100	dB
			OPAx132UA		86	94	
INPUT IMPEDANCE							
	Differential				$10^{13} \parallel 10$		$\Omega \parallel \text{pF}$
	Common-mode	$-12.5\text{V} \leq V_{CM} \leq 11.5\text{V}$			$10^{13} \parallel 7$		
OPEN-LOOP GAIN							
A_{OL}	Open-loop voltage gain	$R_L = 10\text{k}\Omega$, $-14.5\text{V} \leq V_O \leq 13.8\text{V}$	OPAx132U		110	120	dB
			OPAx132UA		104	120	
		$R_L = 2\text{k}\Omega$, $-13.8\text{V} \leq V_O \leq 13.5\text{V}$	OPAx132U		110	126	
			OPAx132UA		104	120	
		$R_L = 600\Omega$, $-12.8\text{V} \leq V_O \leq 12.5\text{V}$	OPAx132U		110	130	
			OPAx132UA		104	120	
FREQUENCY RESPONSE							
GBW	Gain bandwidth product				8		MHz
SR	Slew rate				± 20		$\text{V}/\mu\text{s}$
	Settling time	10V step, $G = 1$, $C_L = 100\text{pF}$	0.1%		0.7		μs
			0.01%		1		
THD+N	Total harmonic distortion plus noise	$f = 1\text{kHz}$, $G = 1$, $V_O = 3.5V_{rms}$	$R_L = 2\text{k}\Omega$		0.0008%		
	Overload recovery time		$R_L = 600\Omega$		0.0009%		
		$G = \pm 1$			600		ns
OUTPUT							
V_O	Voltage output	$R_L = 10\text{k}\Omega$	Positive		$(V_+) - 1.2$	$(V_+) - 0.9$	V
			Negative		$(V_-) + 0.3$	$(V_-) + 0.5$	
		$R_L = 2\text{k}\Omega$	Positive		$(V_+) - 1.5$	$(V_+) - 1.1$	
			Negative		$(V_-) + 1.2$	$(V_-) + 0.9$	
		$R_L = 600\Omega$	Positive		$(V_+) - 2.5$	$(V_+) - 2.0$	
			Negative		$(V_-) + 2.2$	$(V_-) + 1.5$	
I_{sc}	Short-circuit current	Sourcing			36		mA
		Sinking			-30		mA
	Capacitive load drive (stable operation)			See Typical Characteristics			
POWER SUPPLY							
I_Q	Quiescent current (per amplifier)	$I_O = 0\text{mA}$			± 4	± 4.8	mA

(1) High-speed test at $T_J = 25^\circ\text{C}$.

5.8 Typical Characteristics

at $T_A = 25^\circ\text{C}$, $V_S = \pm 15\text{V}$, $R_L = 2\text{k}\Omega$ connected to midsupply, and $V_{CM} = V_{OUT} = \text{midsupply}$ (unless otherwise noted)

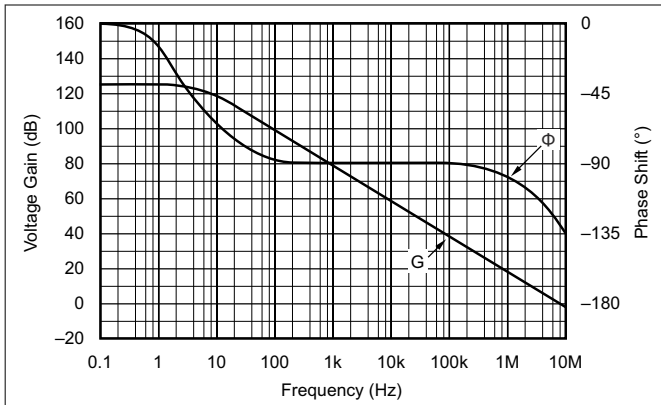


Figure 5-1. Open-Loop Gain and Phase vs Frequency

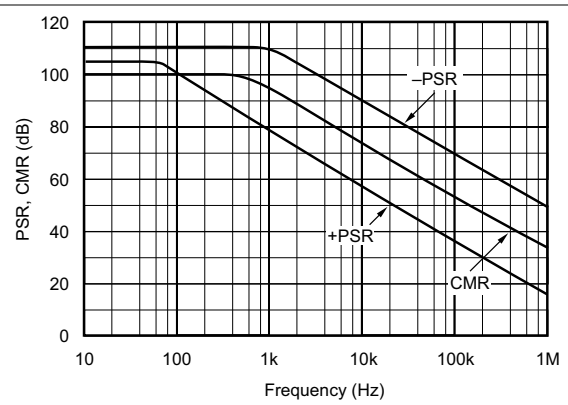


Figure 5-2. Power Supply and Common-Mode Rejection vs Frequency

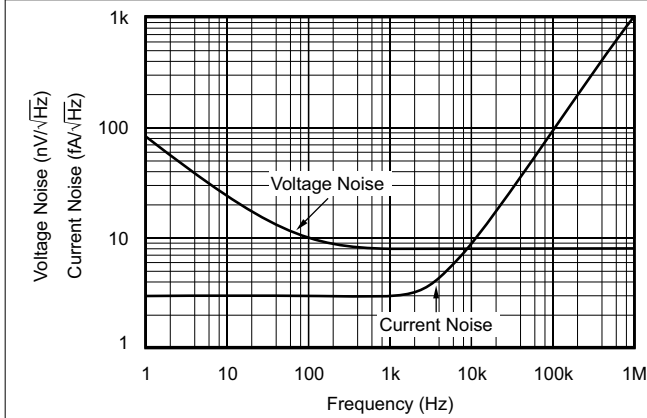


Figure 5-3. Input Voltage vs Frequency

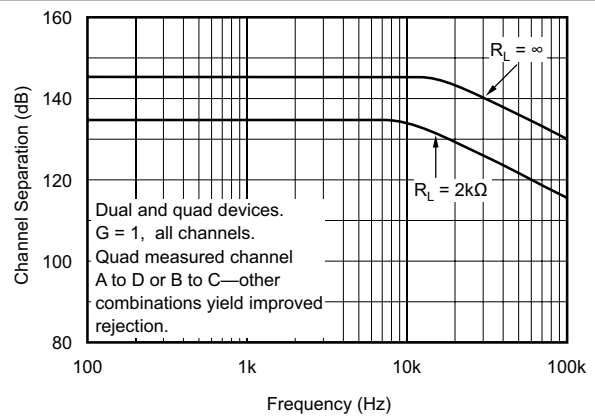


Figure 5-4. Channel Separation vs Frequency

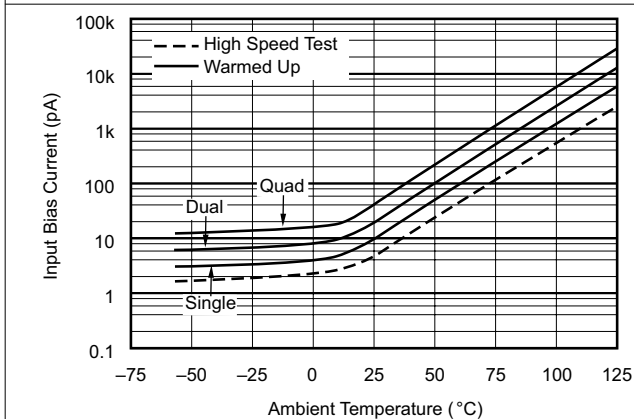


Figure 5-5. Input Bias Current vs Temperature

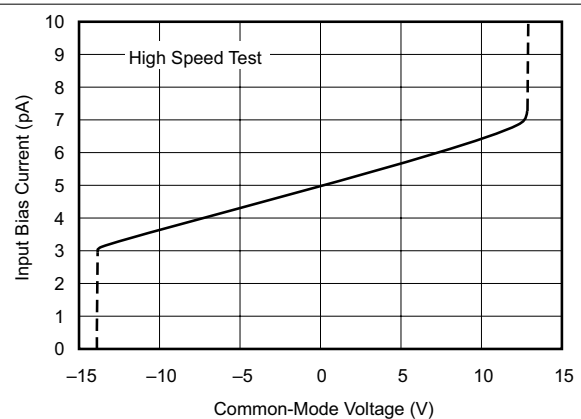


Figure 5-6. Input Bias Current vs Input Common-Mode Voltage

5.8 Typical Characteristics (continued)

at $T_A = 25^\circ\text{C}$, $V_S = \pm 15\text{V}$, $R_L = 2\text{k}\Omega$ connected to midsupply, and $V_{CM} = V_{OUT} = \text{midsupply}$ (unless otherwise noted)

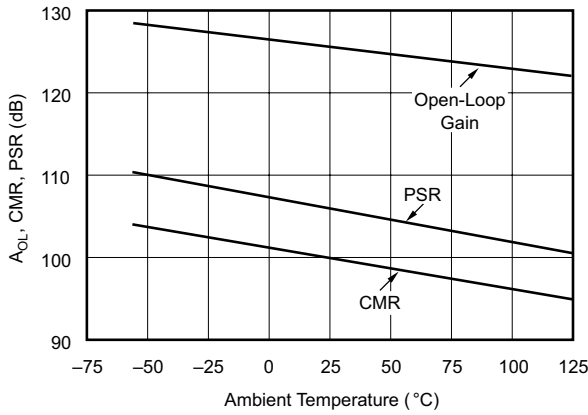


Figure 5-7. A_{OL} , CMR, PSR vs Temperature

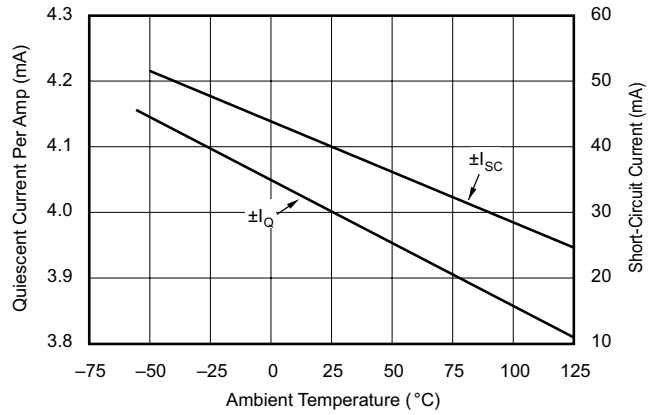


Figure 5-8. Quiescent Current and Short-Circuit Current vs Temperature

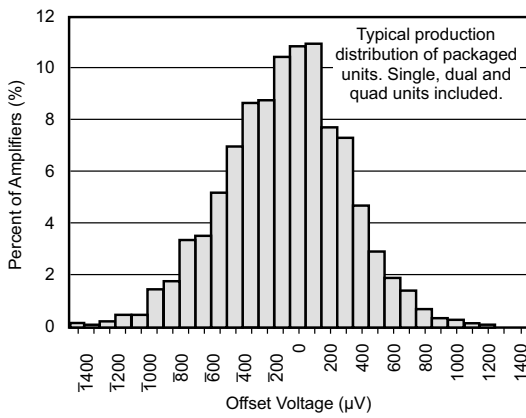


Figure 5-9. Offset Voltage Production Distribution

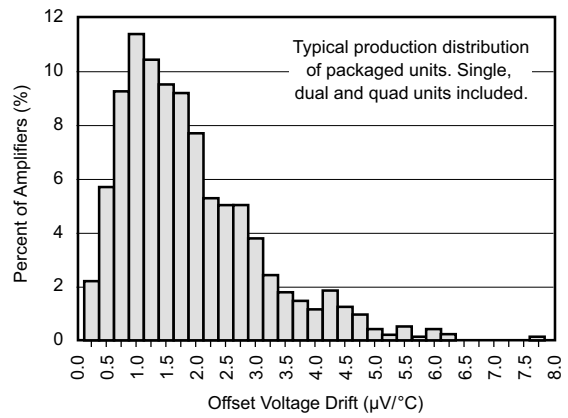


Figure 5-10. Offset Voltage Drift Production Distribution

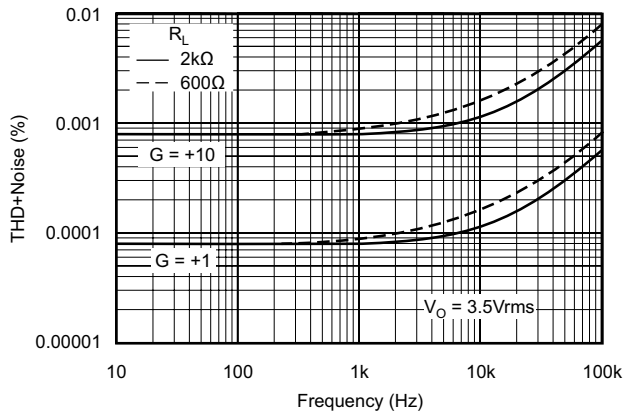


Figure 5-11. Total Harmonic Distortion + Noise vs Frequency

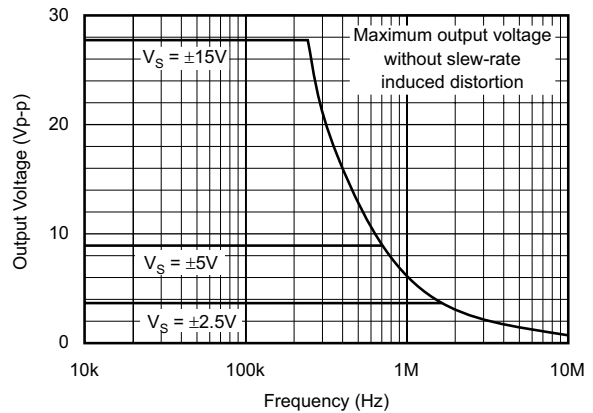


Figure 5-12. Maximum Output Voltage vs Frequency

5.8 Typical Characteristics (continued)

at $T_A = 25^\circ\text{C}$, $V_S = \pm 15\text{V}$, $R_L = 2\text{k}\Omega$ connected to midsupply, and $V_{CM} = V_{OUT} = \text{midsupply}$ (unless otherwise noted)

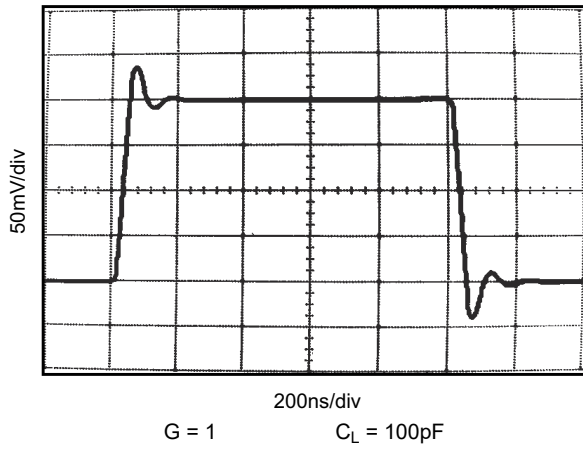


Figure 5-13. Small-Signal Step Response

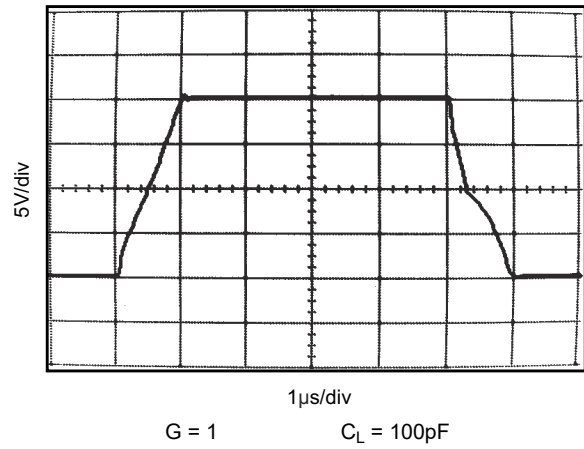


Figure 5-14. Large-Signal Step Response

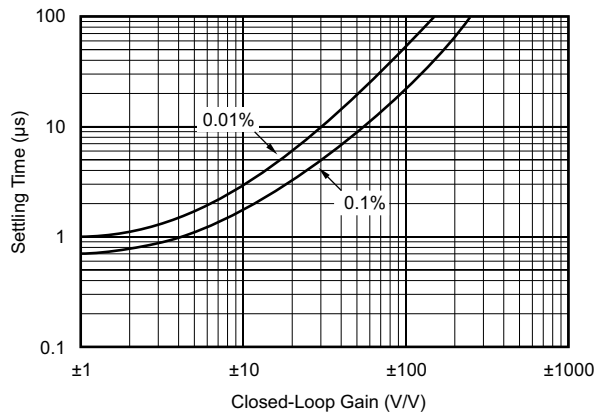


Figure 5-15. Settling Time vs Closed-Loop Gain

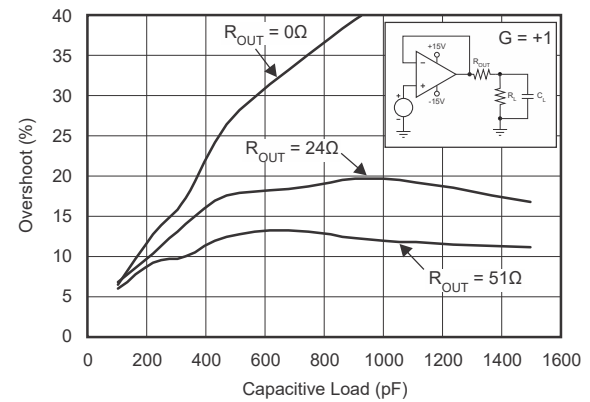


Figure 5-16. Small-Signal Overshoot vs Load Capacitance

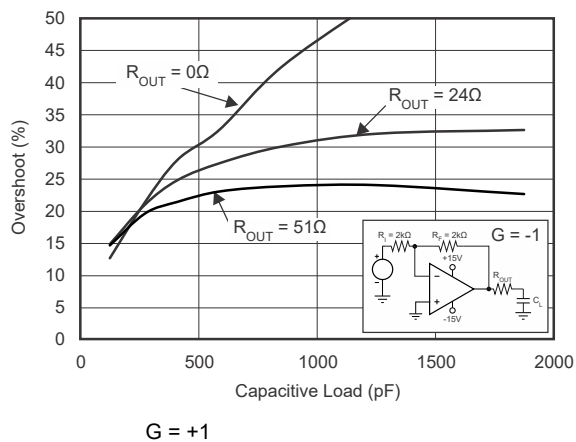


Figure 5-17. Small-Signal Overshoot vs Load Capacitance

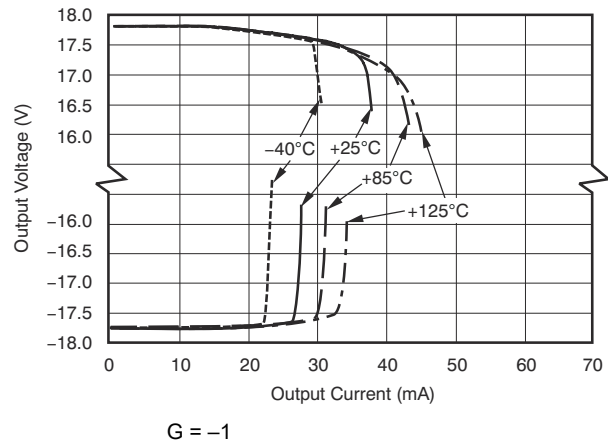


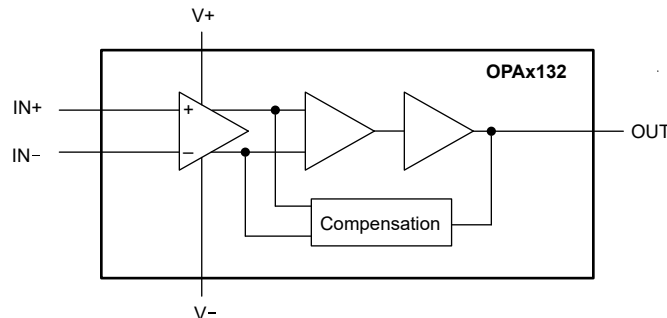
Figure 5-18. Output Voltage Swing vs Output Current

6 Detailed Description

6.1 Overview

The OPAx132 series of FET-input operational amplifiers provides high speed and excellent dc performance. The combination of high slew rate and wide bandwidth provide fast settling time. Single, dual, and quad versions have identical specifications for maximum design flexibility. High performance grades are available in the single and dual versions. All devices are an excellent choice for general-purpose, audio, data acquisition and communications applications; especially, where high source impedance is encountered.

6.2 Functional Block Diagram



6.3 Feature Description

The OPAx132 series of JFET operational amplifiers combine low noise and wide bandwidth with precision and low input bias current to make these devices an excellent choice for applications with a high source impedance. The OPAx132 is unity-gain stable and features high slew rate ($\pm 20\text{V}/\mu\text{s}$) and wide bandwidth (8MHz).

6.4 Device Functional Modes

The OPAx132 has a single functional mode and is operational when the power-supply voltage is greater than 5V ($\pm 2.5\text{V}$). The maximum power supply voltage for the OPAx132 is 36V ($\pm 18\text{V}$).

7 Application and Implementation

Note

Information in the following applications sections is not part of the TI component specification, and TI does not warrant its accuracy or completeness. TI's customers are responsible for determining suitability of components for their purposes, as well as validating and testing their design implementation to confirm system functionality.

7.1 Application Information

The OPAx132 series operational amplifiers are unity-gain stable and an excellent choice for a wide range of general-purpose applications. Bypass power-supply pins with 10nF ceramic capacitors or larger.

The OPAx132 series operational amplifiers are free from unexpected output phase reversal common with FET operational amplifiers. Many FET-input operational amplifiers exhibit phase-reversal of the output when the input common-mode voltage range is exceeded. This phase reversal can occur in voltage-follower circuits, causing serious problems in control-loop applications. The OPAx132 series of operational amplifiers are free from this undesirable behavior. All circuitry is completely independent in dual and quad versions, maintaining normal behavior when one amplifier in a package is overdriven or short-circuited.

7.1.1 Operating Voltage

The OPAx132 series of operation amplifiers operate with power supplies from $\pm 2.5\text{V}$ to $\pm 18\text{V}$ with excellent performance. Although specifications are production tested with $\pm 15\text{V}$ supplies, most behavior remains unchanged throughout the full operating voltage range. Parameters which vary significantly with operating voltage are shown in [Section 5.8](#).

7.1.2 Offset Voltage Trim

The offset voltage of the OPAx132 amplifiers is laser trimmed and usually requires no user adjustment. The OPAx132 provide less than $\pm 500\mu\text{V}$ of input offset voltage and less than $10\mu\text{V}/^\circ\text{C}$ of input offset voltage drift over the operating temperature range

7.1.3 Input Bias Current

The FET-inputs of the OPAx132 series provide very low input bias current and cause negligible errors in most applications. For applications where low input bias current is crucial, minimize junction temperature rise. The input bias current of FET-input operational amplifiers increases with temperature; see also [Figure 5-5](#).

The OPAx132 series can be operated at reduced power supply voltage to minimize power dissipation and temperature rise. Using $\pm 3\text{V}$ supplies reduces power dissipation to one-fifth used at $\pm 15\text{V}$.

The dual and quad versions have higher total power dissipation than the single version, leading to higher junction temperature. Thus, a warmed-up quad has higher input bias current than a warmed-up single. Furthermore, an SOIC generally has higher junction temperature than a DIP at the same ambient temperature because of a larger θ_{JA} .

Printed-circuit-board (PCB) layout also helps minimize junction temperature rise. Minimize temperature rise by soldering the devices to the PCB rather than using a socket. Wide copper traces also help dissipate the heat by acting as an additional heat sink.

Input stage cascode circuitry keeps the input bias current virtually unchanged throughout the full input common-mode range of the OPAx132 series. See also [Figure 5-6](#).

7.2 Typical Application

The OPAx132 family offers outstanding dc precision and ac performance. These devices operate up to 36V supply rails and offer ultra-low input bias current and input bias current noise, as well as 8MHz bandwidth and high capacitive load drive. These features make the OPAx132 a robust, high-performance operational amplifier for high-voltage industrial applications with high source impedance.

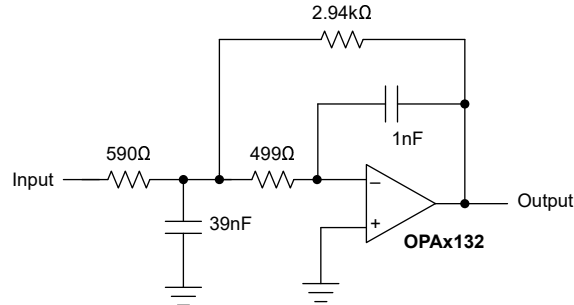


Figure 7-1. OPA132 2nd Order 30kHz, Low Pass Filter Schematic

7.2.1 Design Requirements

Use the following parameters for this application:

- Gain = 5V/V
- Low-pass cutoff frequency = 30kHz
- -40db/dec filter response
- Maintain less than 3dB gain peaking in the gain versus frequency response

7.2.2 Detailed Design Procedure

[WEBENCH® Circuit Designer](#) creates customized power supply and active filter circuits based on your system requirements. The environment gives you end-to-end selection, design, and simulation capabilities that save you time during all phases of the analog design process.

Use our tools to help with your designs:

- [Filter design tool](#)
- [Powerstage designer](#)
- [WEBENCH® Power designer](#)
- [PCB thermal calculator](#)

7.2.3 Application Curve

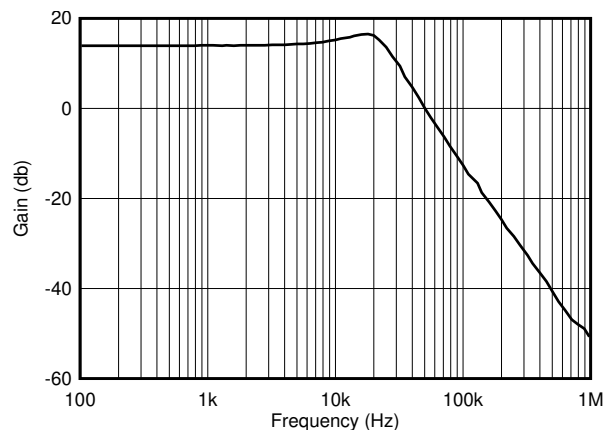


Figure 7-2. OPA132 2nd-Order 30kHz, Low-Pass Filter Response

7.3 Power Supply Recommendations

The OPAx132 is specified for operation from 5V to 36V ($\pm 2.5V$ to $\pm 18V$); many specifications apply from -40°C to $+85^{\circ}\text{C}$. Parameters that can exhibit significant variance with regard to operating voltage or temperature are presented in [Section 5.8](#).

CAUTION

Supply voltages larger than 36V can permanently damage the device; see [Section 5.1](#).

Place 10nF bypass capacitors close to the power-supply pins to reduce errors coupling in from noisy or high-impedance power supplies. For more detailed information on bypass capacitor placement, see [Section 7.4.1](#).

7.4 Layout

7.4.1 Layout Guidelines

For best operational performance of the device, use good printed circuit board (PCB) layout practices, including:

- Noise can propagate into analog circuitry through the power pins of the circuit as a whole and the operational amplifier individually. Use bypass capacitors to reduce the coupled noise by providing low-impedance power sources local to the analog circuitry.
 - Connect low-ESR, 10nF ceramic bypass capacitors between each supply pin and ground, placed as close to the device as possible. A single bypass capacitor from V+ to ground is applicable for single-supply applications.
- Separate grounding for analog and digital portions of circuitry is one of the simplest and most-effective methods of noise suppression. One or more layers on multilayer PCBs are usually devoted to ground planes. A ground plane helps distribute heat and reduces EMI noise pickup. Make sure to physically separate digital and analog grounds paying attention to the flow of the ground current. For more detailed information, see also [Circuit Board Layout Techniques](#).
- To reduce parasitic coupling, run the input traces as far away from the supply or output traces as possible. If these traces cannot be kept separate, crossing the sensitive trace perpendicular is much better as opposed to in parallel with the noisy trace.
- Place the external components as close to the device as possible. Keep RF and RG close to the inverting input minimizes parasitic capacitance; see also [Section 7.4.2](#).
- Keep the length of input traces as short as possible. Always remember that the input traces are the most sensitive part of the circuit.
- Consider a driven, low-impedance guard ring around the critical traces. A guard ring can significantly reduce leakage currents from nearby traces that are at different potentials.
- Clean the PCB following board assembly for best performance.
- Any precision integrated circuit can experience performance shifts due to moisture ingress into the plastic package. Following any aqueous PCB cleaning process, bake the PCB assembly to remove moisture introduced into the device packaging during the cleaning process. A low temperature, post cleaning bake at 85°C for 30 minutes is sufficient for most circumstances.

7.4.2 Layout Example

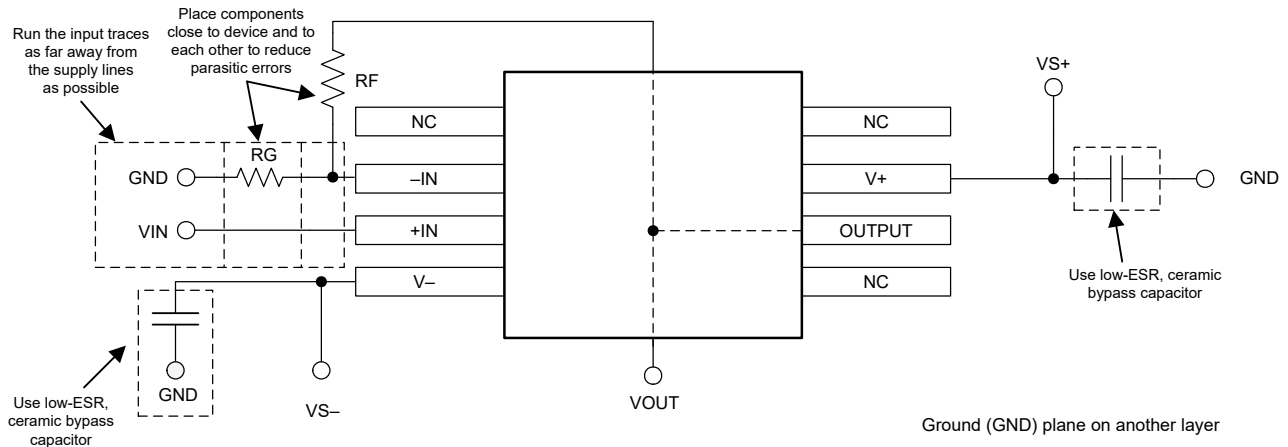
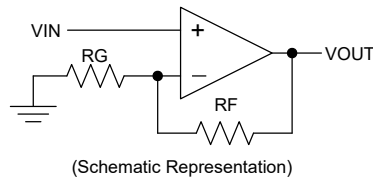


Figure 7-3. OPA132 Layout Example for the Noninverting Configuration

8 Device and Documentation Support

8.1 Device Support

8.1.1 Development Support

8.1.1.1 Analog Filter Designer

Available as a web-based tool from the [Design and simulation tool](#) web page, the [Analog Filter Designer](#) allows the user to design, optimize, and simulate complete multistage active filter solutions within minutes.

8.1.1.2 TINA-TI™ Simulation Software (Free Download)

TINA-TI™ simulation software is a simple, powerful, and easy-to-use circuit simulation program based on a SPICE engine. TINA-TI simulation software is a free, fully-functional version of the TINA™ software, preloaded with a library of macromodels, in addition to a range of both passive and active models. TINA-TI simulation software provides all the conventional dc, transient, and frequency domain analysis of SPICE, as well as additional design capabilities.

Available as a [free download](#) from the [Design tools and simulation](#) web page, TINA-TI simulation software offers extensive post-processing capability that allows users to format results in a variety of ways. Virtual instruments offer the ability to select input waveforms and probe circuit nodes, voltages, and waveforms, creating a dynamic quick-start tool.

Note

These files require that either the TINA software or TINA-TI software be installed. Download the free TINA-TI simulation software from the [TINA-TI™ software folder](#).

8.1.1.3 TI Reference Designs

TI reference designs are analog solutions created by TI's precision analog applications experts. TI reference designs offer the theory of operation, component selection, simulation, complete PCB schematic and layout, bill of materials, and measured performance of many useful circuits. TI reference designs are available online at <https://www.ti.com/reference-designs>.

8.2 Documentation Support

8.2.1 Related Documentation

For related documentation, see the following:

- Texas Instruments, [EMI Rejection Ratio of Operational Amplifiers](#)
- Texas Instruments, [Circuit Board Layout Techniques](#)

8.3 Receiving Notification of Documentation Updates

To receive notification of documentation updates, navigate to the device product folder on [ti.com](#). Click on *Notifications* to register and receive a weekly digest of any product information that has changed. For change details, review the revision history included in any revised document.

8.4 Support Resources

[TI E2E™ support forums](#) are an engineer's go-to source for fast, verified answers and design help — straight from the experts. Search existing answers or ask your own question to get the quick design help you need.

Linked content is provided "AS IS" by the respective contributors. They do not constitute TI specifications and do not necessarily reflect TI's views; see TI's [Terms of Use](#).

8.5 Trademarks

TINA-TI™ and TI E2E™ are trademarks of Texas Instruments.

TINA™ is a trademark of DesignSoft, Inc.

All trademarks are the property of their respective owners.

8.6 Electrostatic Discharge Caution



This integrated circuit can be damaged by ESD. Texas Instruments recommends that all integrated circuits be handled with appropriate precautions. Failure to observe proper handling and installation procedures can cause damage.

ESD damage can range from subtle performance degradation to complete device failure. Precision integrated circuits may be more susceptible to damage because very small parametric changes could cause the device not to meet its published specifications.

8.7 Glossary

[TI Glossary](#) This glossary lists and explains terms, acronyms, and definitions.

9 Revision History

NOTE: Page numbers for previous revisions may differ from page numbers in the current version.

Changes from Revision B (September 2015) to Revision C (August 2024)	Page
• Updated the numbering format for tables, figures, and cross-references throughout the document.....	1
• Added information about newer, next-generation OPA2156.....	1
• Changed high open-loop gain from 130dB (600Ω load) to 126dB (2kΩ load).....	1
• Deleted all single and quad channel PDIP package references from this data sheet.....	1
• Updated <i>Device Information</i> table.....	1
• Updated <i>Pin Configuration and Functions</i> format.....	3
• Changed OPA132 pin 1 and pin 8 from "Offset Trim" to "NC".....	3
• Changed input voltage from (V ₋) – 0.7 and (V ₊) + 0.7 to (V ₋) – 0.5 and (V ₊) + 0.5 in <i>Absolute Maximum Ratings</i>	5
• Added input current and related footnote to <i>Absolute Maximum Ratings</i>	5
• Added <i>Thermal Information</i>	6
• Changed format of <i>Electrical Characteristics</i> to latest standard.....	7
• Updated nominal conditions in the header of <i>Electrical Characteristics</i>	7
• Added ± to power supply rejection ratio (offset vs temperature) and input bias current values.....	7
• Changed common-mode voltage MAX value from (V ₊) – 2.5V to (V ₊) – 3.5V.....	7
• Changed common-mode rejection ratio and common-mode input impedance test conditions from –12.5V ≤ V _{CM} ≤ 12.5V to –12.5V ≤ V _{CM} ≤ 11.5V.....	7
• Changed differential input impedance from 10 ¹⁰ Ω 2pF to 10 ¹⁰ Ω 10pF.....	7
• Changed common-mode input impedance from 10 ¹⁰ Ω 6pF to 10 ¹⁰ Ω 7pF.....	7
• Changed overload recovery time from 0.5μs to 600ns.....	7
• Changed overload recovery time test condition from G = ± to G = ±1 to fix typo.....	7
• Moved voltage output negative MIN values to MAX values.....	7
• Deleted redundant power supply and temperature range sections already covered in <i>Recommended Operating Conditions</i>	7
• Deleted note 1 from <i>Electrical Characteristics</i>	7
• Changed <i>Typical Characteristics</i> header test conditions to match <i>Electrical Characteristics</i>	8
• Changed Figure 16, <i>Small-Signal Overshoot vs Load Capacitance</i> into two plots, Figure 5-16 for G = +1 and Figure 5-17 for G = –1.....	8
• Updated Figure 5-18, <i>Output Voltage Swing vs Output Current</i>	8
• Updated <i>Functional Block Diagram</i>	11
• Updated <i>Offset Voltage Trim</i>	12
• Updated Figure 7-3, <i>OPA132 Layout Example for the Noninverting Configuration</i>	15

Changes from Revision A (June 2004) to Revision B (September 2015)	Page
<ul style="list-style-type: none"> Added <i>ESD Ratings, Feature Description, Device Functional Modes, Application and Implementation, Power Supply Recommendations, Layout, Device and Documentation Support, and Mechanical, Packaging, and Orderable Information</i> sections..... 	1

10 Mechanical, Packaging, and Orderable Information

The following pages include mechanical, packaging, and orderable information. This information is the most current data available for the designated devices. This data is subject to change without notice and revision of this document. For browser-based versions of this data sheet, refer to the left-hand navigation.

PACKAGING INFORMATION

Orderable part number	Status (1)	Material type (2)	Package Pins	Package qty Carrier	RoHS (3)	Lead finish/ Ball material (4)	MSL rating/ Peak reflow (5)	Op temp (°C)	Part marking (6)
OPA132U	Active	Production	SOIC (D) 8	75 TUBE	Yes	Call TI Nipdau	Level-3-260C-168 HR	-40 to 125	OPA 132U
OPA132U.B	Active	Production	SOIC (D) 8	75 TUBE	Yes	Call TI	Level-3-260C-168 HR	-40 to 125	OPA 132U
OPA132U/2K5	Active	Production	SOIC (D) 8	2500 LARGE T&R	Yes	Call TI Nipdau	Level-3-260C-168 HR	-40 to 125	OPA 132U
OPA132U/2K5.B	Active	Production	SOIC (D) 8	2500 LARGE T&R	Yes	Call TI	Level-3-260C-168 HR	-40 to 125	OPA 132U
OPA132UA	Active	Production	SOIC (D) 8	75 TUBE	Yes	Call TI Nipdau	Level-3-260C-168 HR	-40 to 125	OPA 132U A
OPA132UA.B	Active	Production	SOIC (D) 8	75 TUBE	Yes	Call TI	Level-3-260C-168 HR	-40 to 125	OPA 132U A
OPA132UA/2K5	Active	Production	SOIC (D) 8	2500 LARGE T&R	Yes	Call TI Nipdau	Level-3-260C-168 HR	-40 to 125	OPA 132U A
OPA132UA/2K5.B	Active	Production	SOIC (D) 8	2500 LARGE T&R	Yes	Call TI	Level-3-260C-168 HR	-40 to 125	OPA 132U A
OPA2132P	Active	Production	PDIP (P) 8	50 TUBE	Yes	Call TI	N/A for Pkg Type	-40 to 125	OPA2132P
OPA2132P.A	Active	Production	PDIP (P) 8	50 TUBE	Yes	Call TI	N/A for Pkg Type	-40 to 125	OPA2132P
OPA2132PA	Active	Production	PDIP (P) 8	50 TUBE	Yes	Call TI	N/A for Pkg Type	-40 to 125	OPA2132P A
OPA2132PA.A	Active	Production	PDIP (P) 8	50 TUBE	Yes	Call TI	N/A for Pkg Type	-40 to 125	OPA2132P A
OPA2132PAG4	Active	Production	PDIP (P) 8	50 TUBE	Yes	Call TI	N/A for Pkg Type	-40 to 125	OPA2132P A
OPA2132U	Active	Production	SOIC (D) 8	75 TUBE	Yes	Call TI Nipdau	Level-3-260C-168 HR	-40 to 125	(O2132U, OPA) 2132U
OPA2132U.B	Active	Production	SOIC (D) 8	75 TUBE	Yes	Call TI	Level-3-260C-168 HR	-40 to 125	(O2132U, OPA) 2132U
OPA2132U/2K5	Active	Production	SOIC (D) 8	2500 LARGE T&R	Yes	Call TI Nipdau	Level-3-260C-168 HR	-40 to 125	(O2132U, OPA) 2132U

Orderable part number	Status (1)	Material type (2)	Package Pins	Package qty Carrier	RoHS (3)	Lead finish/ Ball material (4)	MSL rating/ Peak reflow (5)	Op temp (°C)	Part marking (6)
OPA2132U/2K5.B	Active	Production	SOIC (D) 8	2500 LARGE T&R	Yes	Call TI	Level-3-260C-168 HR	-40 to 125	(O2132U, OPA) 2132U
OPA2132UA	Active	Production	SOIC (D) 8	75 TUBE	Yes	Call TI Nipdau	Level-3-260C-168 HR	-40 to 125	(O2132UA, OPA) 2132U A
OPA2132UA.B	Active	Production	SOIC (D) 8	75 TUBE	Yes	Call TI	Level-3-260C-168 HR	-40 to 125	(O2132UA, OPA) 2132U A
OPA2132UA/2K5	Active	Production	SOIC (D) 8	2500 LARGE T&R	Yes	NIPDAU	Level-3-260C-168 HR	-40 to 125	(O2132UA, OPA) 2132U A
OPA2132UA/2K5.B	Active	Production	SOIC (D) 8	2500 LARGE T&R	Yes	NIPDAU	Level-3-260C-168 HR	-40 to 125	(O2132UA, OPA) 2132U A
OPA4132UA	Active	Production	SOIC (D) 14	50 TUBE	Yes	NIPDAU NIPDAUAG	Level-3-260C-168 HR	-40 to 85	OPA4132UA
OPA4132UA.B	Active	Production	SOIC (D) 14	50 TUBE	Yes	NIPDAUAG	Level-3-260C-168 HR	-40 to 85	OPA4132UA
OPA4132UA/2K5	Active	Production	SOIC (D) 14	2500 LARGE T&R	Yes	NIPDAU NIPDAUAG	Level-3-260C-168 HR	-40 to 85	OPA4132UA
OPA4132UA/2K5.B	Active	Production	SOIC (D) 14	2500 LARGE T&R	Yes	NIPDAUAG	Level-3-260C-168 HR	-40 to 85	OPA4132UA

(1) **Status:** For more details on status, see our [product life cycle](#).

(2) **Material type:** When designated, preproduction parts are prototypes/experimental devices, and are not yet approved or released for full production. Testing and final process, including without limitation quality assurance, reliability performance testing, and/or process qualification, may not yet be complete, and this item is subject to further changes or possible discontinuation. If available for ordering, purchases will be subject to an additional waiver at checkout, and are intended for early internal evaluation purposes only. These items are sold without warranties of any kind.

(3) **RoHS values:** Yes, No, RoHS Exempt. See the [TI RoHS Statement](#) for additional information and value definition.

(4) **Lead finish/Ball material:** Parts may have multiple material finish options. Finish options are separated by a vertical ruled line. Lead finish/Ball material values may wrap to two lines if the finish value exceeds the maximum column width.

(5) **MSL rating/Peak reflow:** The moisture sensitivity level ratings and peak solder (reflow) temperatures. In the event that a part has multiple moisture sensitivity ratings, only the lowest level per JEDEC standards is shown. Refer to the shipping label for the actual reflow temperature that will be used to mount the part to the printed circuit board.

(6) **Part marking:** There may be an additional marking, which relates to the logo, the lot trace code information, or the environmental category of the part.

Multiple part markings will be inside parentheses. Only one part marking contained in parentheses and separated by a "~" will appear on a part. If a line is indented then it is a continuation of the previous line and the two combined represent the entire part marking for that device.

Important Information and Disclaimer: The information provided on this page represents TI's knowledge and belief as of the date that it is provided. TI bases its knowledge and belief on information provided by third parties, and makes no representation or warranty as to the accuracy of such information. Efforts are underway to better integrate information from third parties. TI has taken and continues to take reasonable steps to provide representative and accurate information but may not have conducted destructive testing or chemical analysis on incoming materials and chemicals. TI and TI suppliers consider certain information to be proprietary, and thus CAS numbers and other limited information may not be available for release.

In no event shall TI's liability arising out of such information exceed the total purchase price of the TI part(s) at issue in this document sold by TI to Customer on an annual basis.

TAPE AND REEL INFORMATION

QUADRANT ASSIGNMENTS FOR PIN 1 ORIENTATION IN TAPE

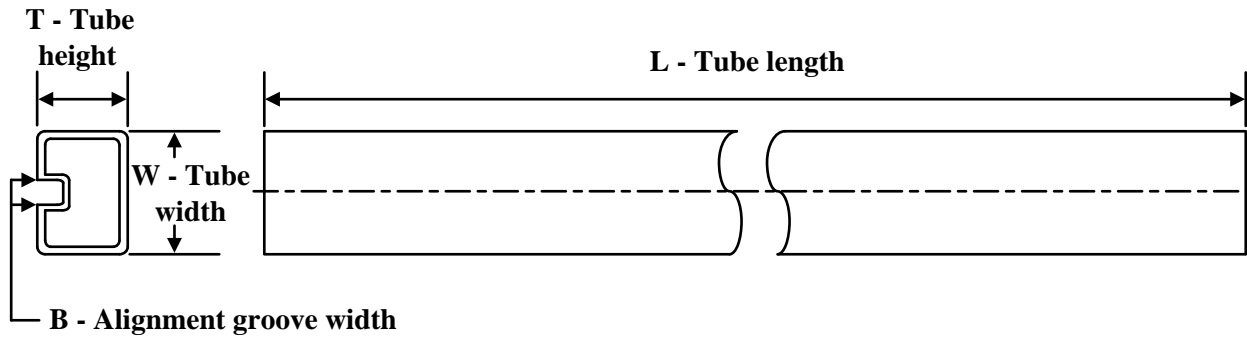

*All dimensions are nominal

Device	Package Type	Package Drawing	Pins	SPQ	Reel Diameter (mm)	Reel Width W1 (mm)	A0 (mm)	B0 (mm)	K0 (mm)	P1 (mm)	W (mm)	Pin1 Quadrant
OPA132U/2K5	SOIC	D	8	2500	330.0	12.4	6.4	5.2	2.1	8.0	12.0	Q1
OPA132UA/2K5	SOIC	D	8	2500	330.0	12.4	6.4	5.2	2.1	8.0	12.0	Q1
OPA2132U/2K5	SOIC	D	8	2500	330.0	12.4	6.4	5.2	2.1	8.0	12.0	Q1
OPA2132UA/2K5	SOIC	D	8	2500	330.0	12.4	6.4	5.2	2.1	8.0	12.0	Q1
OPA4132UA/2K5	SOIC	D	14	2500	330.0	16.4	6.5	9.0	2.1	8.0	16.0	Q1

TAPE AND REEL BOX DIMENSIONS


*All dimensions are nominal

Device	Package Type	Package Drawing	Pins	SPQ	Length (mm)	Width (mm)	Height (mm)
OPA132U/2K5	SOIC	D	8	2500	353.0	353.0	32.0
OPA132UA/2K5	SOIC	D	8	2500	353.0	353.0	32.0
OPA2132U/2K5	SOIC	D	8	2500	353.0	353.0	32.0
OPA2132UA/2K5	SOIC	D	8	2500	353.0	353.0	32.0
OPA4132UA/2K5	SOIC	D	14	2500	353.0	353.0	32.0

TUBE


*All dimensions are nominal

Device	Package Name	Package Type	Pins	SPQ	L (mm)	W (mm)	T (μm)	B (mm)
OPA132U	D	SOIC	8	75	506.6	8	3940	4.32
OPA132U.B	D	SOIC	8	75	506.6	8	3940	4.32
OPA132UA	D	SOIC	8	75	506.6	8	3940	4.32
OPA132UA.B	D	SOIC	8	75	506.6	8	3940	4.32
OPA2132P	P	PDIP	8	50	506	13.97	11230	4.32
OPA2132P.A	P	PDIP	8	50	506	13.97	11230	4.32
OPA2132PA	P	PDIP	8	50	506	13.97	11230	4.32
OPA2132PA.A	P	PDIP	8	50	506	13.97	11230	4.32
OPA2132PAG4	P	PDIP	8	50	506	13.97	11230	4.32
OPA2132U	D	SOIC	8	75	506.6	8	3940	4.32
OPA2132U.B	D	SOIC	8	75	506.6	8	3940	4.32
OPA2132UA	D	SOIC	8	75	506.6	8	3940	4.32
OPA2132UA.B	D	SOIC	8	75	506.6	8	3940	4.32
OPA4132UA	D	SOIC	14	50	506.6	8	3940	4.32
OPA4132UA.B	D	SOIC	14	50	506.6	8	3940	4.32



D0014A

PACKAGE OUTLINE

SOIC - 1.75 mm max height

SMALL OUTLINE INTEGRATED CIRCUIT



4220718/A 09/2016

NOTES:

1. All linear dimensions are in millimeters. Dimensions in parenthesis are for reference only. Dimensioning and tolerancing per ASME Y14.5M.
2. This drawing is subject to change without notice.
3. This dimension does not include mold flash, protrusions, or gate burrs. Mold flash, protrusions, or gate burrs shall not exceed 0.15 mm, per side.
4. This dimension does not include interlead flash. Interlead flash shall not exceed 0.43 mm, per side.
5. Reference JEDEC registration MS-012, variation AB.

EXAMPLE BOARD LAYOUT

D0014A

SOIC - 1.75 mm max height

SMALL OUTLINE INTEGRATED CIRCUIT



LAND PATTERN EXAMPLE
SCALE:8X



SOLDER MASK DETAILS

4220718/A 09/2016

NOTES: (continued)

- 6. Publication IPC-7351 may have alternate designs.
- 7. Solder mask tolerances between and around signal pads can vary based on board fabrication site.



D0008A

PACKAGE OUTLINE

SOIC - 1.75 mm max height

SMALL OUTLINE INTEGRATED CIRCUIT



4214825/C 02/2019

NOTES:

- Linear dimensions are in inches [millimeters]. Dimensions in parenthesis are for reference only. Controlling dimensions are in inches. Dimensioning and tolerancing per ASME Y14.5M.
- This drawing is subject to change without notice.
- This dimension does not include mold flash, protrusions, or gate burrs. Mold flash, protrusions, or gate burrs shall not exceed .006 [0.15] per side.
- This dimension does not include interlead flash.
- Reference JEDEC registration MS-012, variation AA.

EXAMPLE BOARD LAYOUT

D0008A

SOIC - 1.75 mm max height

SMALL OUTLINE INTEGRATED CIRCUIT



LAND PATTERN EXAMPLE
 EXPOSED METAL SHOWN
 SCALE:8X



SOLDER MASK DETAILS

4214825/C 02/2019

NOTES: (continued)

- 6. Publication IPC-7351 may have alternate designs.
- 7. Solder mask tolerances between and around signal pads can vary based on board fabrication site.

EXAMPLE STENCIL DESIGN

D0008A

SOIC - 1.75 mm max height

SMALL OUTLINE INTEGRATED CIRCUIT



SOLDER PASTE EXAMPLE
BASED ON .005 INCH [0.125 MM] THICK STENCIL
SCALE:8X

4214825/C 02/2019

NOTES: (continued)

8. Laser cutting apertures with trapezoidal walls and rounded corners may offer better paste release. IPC-7525 may have alternate design recommendations.
9. Board assembly site may have different recommendations for stencil design.

P (R-PDIP-T8)

PLASTIC DUAL-IN-LINE PACKAGE



- NOTES:
- A. All linear dimensions are in inches (millimeters).
 - B. This drawing is subject to change without notice.
 - C. Falls within JEDEC MS-001 variation BA.

IMPORTANT NOTICE AND DISCLAIMER

TI PROVIDES TECHNICAL AND RELIABILITY DATA (INCLUDING DATASHEETS), DESIGN RESOURCES (INCLUDING REFERENCE DESIGNS), APPLICATION OR OTHER DESIGN ADVICE, WEB TOOLS, SAFETY INFORMATION, AND OTHER RESOURCES "AS IS" AND WITH ALL FAULTS, AND DISCLAIMS ALL WARRANTIES, EXPRESS AND IMPLIED, INCLUDING WITHOUT LIMITATION ANY IMPLIED WARRANTIES OF MERCHANTABILITY, FITNESS FOR A PARTICULAR PURPOSE OR NON-INFRINGEMENT OF THIRD PARTY INTELLECTUAL PROPERTY RIGHTS.

These resources are intended for skilled developers designing with TI products. You are solely responsible for (1) selecting the appropriate TI products for your application, (2) designing, validating and testing your application, and (3) ensuring your application meets applicable standards, and any other safety, security, regulatory or other requirements.

These resources are subject to change without notice. TI grants you permission to use these resources only for development of an application that uses the TI products described in the resource. Other reproduction and display of these resources is prohibited. No license is granted to any other TI intellectual property right or to any third party intellectual property right. TI disclaims responsibility for, and you fully indemnify TI and its representatives against any claims, damages, costs, losses, and liabilities arising out of your use of these resources.

TI's products are provided subject to [TI's Terms of Sale](#), [TI's General Quality Guidelines](#), or other applicable terms available either on [ti.com](#) or provided in conjunction with such TI products. TI's provision of these resources does not expand or otherwise alter TI's applicable warranties or warranty disclaimers for TI products. Unless TI explicitly designates a product as custom or customer-specified, TI products are standard, catalog, general purpose devices.

TI objects to and rejects any additional or different terms you may propose.

Copyright © 2026, Texas Instruments Incorporated

Last updated 10/2025