

SN74LV4040B-EP Enhanced Product, 12-Bit Asynchronous Binary Counters

1 Features

- 2V to 5.5V V_{CC} Operation
- Typical V_{OLP} (Output Ground Bounce) $<0.8V$ at $V_{CC} = 3.3V, T_A = 25^\circ C$
- Typical V_{OHV} (Output VOH Undershoot) $2.3V$ at $V_{CC} = 3.3V, T_A = 25^\circ C$
- Support Mixed-Mode Voltage Operation on All Ports
- High On-Off Output-Voltage Ratio
- Low Crosstalk Between Switches
- Individual Switch Controls
- Extremely Low Input Current
- I_{off} Supports Partial-Power-Down Mode Operation
- Operating ambient temperature: $-55^\circ C$ to $+125^\circ C$
- Supports defense and aerospace applications:
 - Controlled baseline
 - One assembly and test site
 - One fabrication site
 - Extended product life cycle
 - Product traceability

2 Applications

- Clock division
- Binary counting

3 Description

The SN74LV4040B-EP is a 12-bit asynchronous binary counters with the outputs of all stages available externally. A high level at the clear (CLR) input asynchronously clears the counter and resets all outputs low. The count is advanced on a high-to-low transition at the clock (CLK) input. Applications include time-delay circuits, counter controls, and frequency-dividing circuits.

The SN74LV4040B-EP is fully specified for partial-power-down applications using I_{off} . The I_{off} circuitry disables the outputs, preventing damaging current backflow through the devices when powered down.

Package Information

PART NUMBER	PACKAGE ¹	PACKAGE SIZE ²	BODY SIZE (NOM) ³
SN74LV4040B-EP	PW (TSSOP, 16)	5mm x 6.4mm	5mm x 4.4mm

1. For more information, see [Section 12](#)
2. The package size (length x width) is a nominal value and includes pins, where applicable.
3. The body size (length x width) is a nominal value and does not include pins.

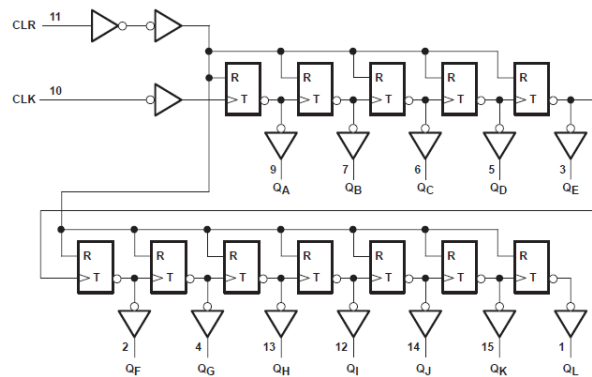


Figure 3-1. Simplified Logic Diagram (Positive Logic)



Table of Contents

1 Features	1	8 Detailed Description	10
2 Applications	1	8.1 Overview.....	10
3 Description	1	8.2 Functional Block Diagram.....	10
4 Pin Configuration and Functions	3	8.3 Feature Description.....	11
5 Specifications	4	8.4 Device Functional Modes.....	11
5.1 Absolute Maximum Ratings.....	4	9 Application and Implementation	12
5.2 ESD Ratings.....	4	9.1 Application Information.....	12
5.3 Recommended Operating Conditions.....	5	9.2 Typical Application.....	12
5.4 Thermal Information.....	5	9.3 Power Supply Recommendations.....	16
5.5 Electrical Characteristics.....	6	9.4 Layout.....	16
5.6 Timing Requirements, $V_{CC} = 2.5V \pm 0.2V$	6	10 Device and Documentation Support	18
5.7 Timing Requirements, $V_{CC} = 3.3V \pm 0.3V$	6	10.1 Documentation Support.....	18
5.8 Timing Requirements, $V_{CC} = 5V \pm 0.5V$	6	10.2 Receiving Notification of Documentation Updates..	18
5.9 Switching Characteristics, $V_{CC} = 2.5V \pm 0.2V$	7	10.3 Support Resources.....	18
5.10 Switching Characteristics, $V_{CC} = 3.3V \pm 0.3V$	7	10.4 Trademarks.....	18
5.11 Switching Characteristics, $V_{CC} = 5V \pm 0.5V$	8	10.5 Electrostatic Discharge Caution.....	18
5.12 Noise Characteristics.....	8	10.6 Glossary.....	18
5.13 Operating Characteristics.....	8	11 Revision History	18
6 Typical Characteristics	8	12 Mechanical, Packaging, and Orderable Information	18
7 Parameter Measurement Information	9		

4 Pin Configuration and Functions

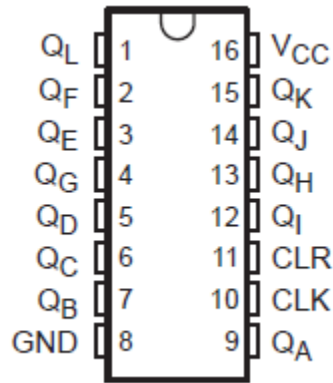


Figure 4-1. SN74LV4040B-EP PW Package (Top View)

PIN		TYPE ¹	DESCRIPTION
NAME	NO.		
Q _L	1	O	Q _L output
Q _F	2	O	Q _F output
Q _E	3	O	Q _E output
Q _G	4	O	Q _G output
Q _D	5	O	Q _D output
Q _C	6	O	Q _C output
Q _B	7	O	Q _B output
GND	8	-	Ground
Q _A	9	O	Q _A output
CLK	10	I	Clock, falling edge triggered
CLR	11	I	Clear, active high
Q _I	12	O	Q _I output
Q _H	13	O	Q _H output
Q _J	14	O	Q _J output
Q _K	15	O	Q _K output
V _{CC}	16	-	Positive supply

1. I = input, O = output

5 Specifications

5.1 Absolute Maximum Ratings

over operating free-air temperature range (unless otherwise noted) ⁽¹⁾

		MIN	MAX	UNIT
V _{CC}	Supply voltage range	-0.5	7	V
V _I	Input voltage range	-0.5	7	V
V _O	Voltage range applied to any output in the high-impedance or power-off state	-0.5	7	V
V _O	Output voltage range	-0.5	V _{CC} + 0.5	V
I _{IK}	Input clamp current ⁽²⁾	V _I < 0	-20	mA
I _{OK}	Output clamp current ⁽²⁾	V _O < 0	-50	mA
I _O	Continuous output current	V _O = 0 to V _{CC}	±25	mA
	Continuous current through V _{CC} or GND		±50	mA
T _{stg}	Storage temperature range	-65	150	°C

- (1) Operation outside the *Absolute Maximum Ratings* may cause permanent device damage. Absolute maximum ratings do not imply functional operation of the device at these or any other conditions beyond those listed under *Recommended Operating Conditions*. If briefly operating outside the *Recommended Operating Conditions* but within the *Absolute Maximum Ratings*, the device may not sustain damage, but it may not be fully functional. Operating the device in this manner may affect device reliability, functionality, performance, and shorten the device lifetime.
- (2) The input and output voltage ratings may be exceeded if the input and output current ratings are observed.

5.2 ESD Ratings

		VALUE	UNIT
V _(ESD)	Electrostatic discharge	Human-body model (HBM), per ANSI/ESDA/JEDEC JS-001 ¹	±2000
		Charged device model (CDM), per ANSI/ESDA/JEDEC JS-002 ²	±1000

- (1) JEDEC document JEP155 states that 500V HBM allows safe manufacturing with a standard ESD control process.
- (2) JEDEC document JEP157 states that 250V CDM allows safe manufacturing with a standard ESD control process.

5.3 Recommended Operating Conditions

over recommended operating free-air temperature range (unless otherwise noted) ¹

		MIN	MAX	UNIT
V _{CC}	Supply voltage	2	5.5	V
V _{IH}	High-level input voltage	V _{CC} = 2V	1.5	V
		V _{CC} = 2.3V to 5.5V	V _{CC} × 0.7	
V _{IL}	Low-level input voltage	V _{CC} = 2V	0.5	V
		V _{CC} = 2.3V to 5.5V	V _{CC} × 0.3	
V _I	Input voltage	0	5.5	V
V _O	Output voltage	0	V _{CC}	V
I _O	Output current (high or low level)	V _{CC} = 2V	±50	μA
		V _{CC} = 2.3V to 2.7V	±2	
		V _{CC} = 3V to 3.6V	±6	
		V _{CC} = 4.5V to 5.5V	±12	
Δt/Δv	Input transition rise/fall time	V _{CC} = 2.3V to 2.7V	200	ns
		V _{CC} = 3V to 3.6V	100	
		V _{CC} = 4.5V to 5.5V	20	
T _A	Operating free-air temperature	-55	125	°C

(1) All unused inputs of the device must be held at V_{CC} or GND for proper device operation. Refer to [Implications of Slow or Floating CMOS Inputs](#)

5.4 Thermal Information

THERMAL METRIC#none#		PW (TSSOP)	UNIT
		16 PINS	
R _{θJA}	Junction-to-ambient thermal resistance	135.9	°C/W
R _{θJC(top)}	Junction-to-case (top) thermal resistance	70.3	°C/W
R _{θJB}	Junction-to-board thermal resistance	81.3	°C/W
Ψ _{JT}	Junction-to-top characterization parameter	22.5	°C/W
Ψ _{JB}	Junction-to-board characterization parameter	80.8	°C/W
R _{θJC(bot)}	Junction-to-case (bottom) thermal resistance	N/A	°C/W

5.5 Electrical Characteristics

over recommended operating free-air temperature range (unless otherwise noted)

PARAMETER	TEST CONDITIONS	V _{CC}	MIN	TYP	MAX	UNIT
V _{OH}	I _{OH} = -50μA	2V to 5.5V	V _{CC} - 0.1			V
	I _{OH} = -2mA	2.3V	2			
	I _{OH} = -6mA	3V	2.48			
	I _{OH} = -12mA	4.5V	3.8			
V _{OL}	I _{OL} = 50μA	2V to 5.5V	0.1			V
	I _{OL} = 2mA	2.3V	0.4			
	I _{OL} = 6mA	3V	0.44			
	I _{OL} = 12mA	4.5V	0.55			
I _I	V _I = 5.5V or GND	0 to 5.5V	±1			μA
I _{CC}	V _I = V _{CC} or GND, I _O = 0	5.5V	20			μA
I _{off}	V _I or V _O = 0 to 5.5V	0	5			μA
C _i	V _I = V _{CC} or GND	3.3V	1.9			pF

5.6 Timing Requirements, V_{CC} = 2.5V ± 0.2V

over recommended operating free-air temperature range (unless otherwise noted)

		MIN	MAX	UNIT
t _w	Pulse duration	CLK high or low	7	ns
		CLR high	6.5	
t _{su}	Setup time	CLR inactive before CLK↓	6.5	

5.7 Timing Requirements, V_{CC} = 3.3V ± 0.3V

over recommended operating free-air temperature range (unless otherwise noted)

		MIN	MAX	UNIT
t _w	Pulse duration	CLK high or low	5	ns
		CLR high	5	
t _{su}	Setup time	CLR inactive before CLK↓	5	

5.8 Timing Requirements, V_{CC} = 5V ± 0.5V

over recommended operating free-air temperature range (unless otherwise noted)

		MIN	MAX	UNIT
t _w	Pulse duration	CLK high or low	5	ns
		CLR high	5	
t _{su}	Setup time	CLR inactive before CLK↓	5	

5.9 Switching Characteristics, $V_{CC} = 2.5V \pm 0.2V$

over recommended operating free-air temperature range (unless otherwise noted)

PARAMETER	FROM (INPUT)	TO (OUTPUT)	LOAD CAPACITANCE	MIN	TYP	MAX	UNIT
f_{max}			$C_L = 50pF$	35	95		MHz
t_{PLH}	\overline{CLK}	Q_A	$C_L = 50pF$	1	10.5	28	ns
t_{PHL}				1	10.5	28	
t_{PHL}	CLR	Any Q	$C_L = 50pF$	1	11.7	28	ns
Δt_{pd}	Q_n	Q_{n+1}	$C_L = 50pF$		1.7	11.1	

5.10 Switching Characteristics, $V_{CC} = 3.3V \pm 0.3V$

over recommended operating free-air temperature range (unless otherwise noted)

PARAMETER	FROM (INPUT)	TO (OUTPUT)	LOAD CAPACITANCE	MIN	TYP	MAX	UNIT
f_{max}			$C_L = 50pF$	50	130		MHz
t_{PLH}	CLK	Q_A	$C_L = 50pF$	1	7.5	17.5	ns
t_{PHL}				1	7.5	17.5	
t_{PHL}	CLR	Any Q	$C_L = 50pF$	1	9	18.5	ns
Δt_{pd}	Q_n	Q_{n+1}	$C_L = 50pF$		1.2	5	ns

5.11 Switching Characteristics, $V_{CC} = 5V \pm 0.5V$

over recommended operating free-air temperature range (unless otherwise noted)

PARAMETER	FROM (INPUT)	TO (OUTPUT)	LOAD CAPACITANCE	MIN	TYP	MAX	UNIT
f_{max}			$C_L = 50pF$	80	185		MHz
t_{PLH}	CLK	Q_A	$C_L = 50pF$		5.3	10.5	ns
t_{PHL}					5.3	10.5	ns
t_{PHL}	CLR	Any Q	$C_L = 50pF$		6.8	12	ns
Δt_{pd}	Q_n	Q_{n+1}	$C_L = 50pF$		0.8	3.5	ns

5.12 Noise Characteristics

$V_{CC} = 3.3V$, $C_L = 50pF$, $T_A = 25^\circ C$

PARAMETER ⁽¹⁾		MIN	TYP	MAX	UNIT
$V_{OL(P)}$	Quiet output, maximum dynamic V_{OL}		0.5	0.8	V
$V_{OL(V)}$	Quiet output, minimum dynamic V_{OL}		-0.5	-0.8	V
$V_{IH(D)}$	High-level dynamic input voltage	2.31			V
$V_{IL(D)}$	Low-level dynamic input voltage			0.99	V

(1) Characteristics for surface-mount packages only.

5.13 Operating Characteristics

$T_A = 25^\circ C$

PARAMETER	TEST CONDITIONS	V_{CC}	TYP	UNIT
C_{pd} Power dissipation capacitance	$C_L = 50pF$, $f = 10MHz$	3.3V	11.9	pF
		5V	13.1	

6 Typical Characteristics

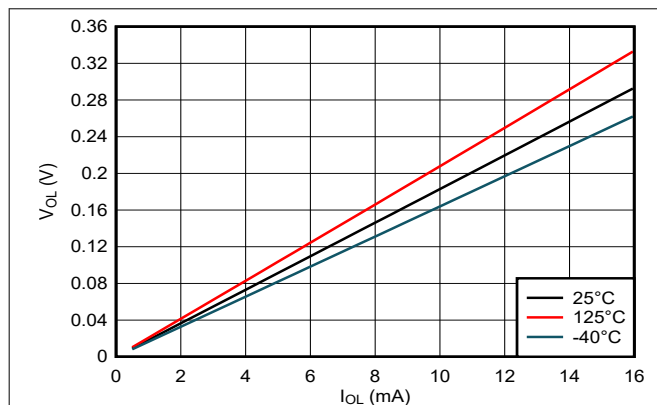


Figure 6-1. Output Voltage vs Current in LOW State; 5V Supply

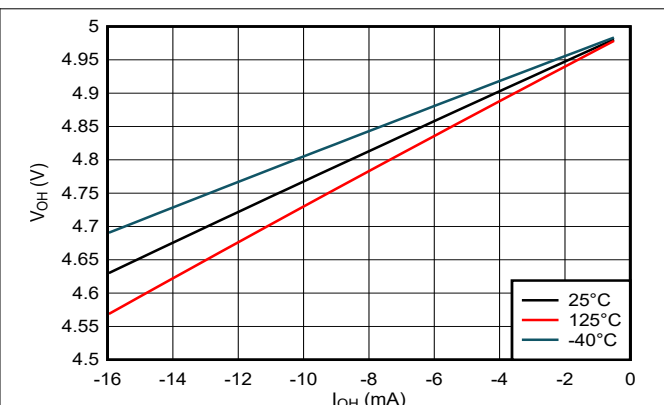


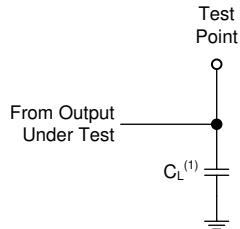
Figure 6-2. Output Voltage vs Current in HIGH State; 5V Supply

7 Parameter Measurement Information

Phase relationships between waveforms were chosen arbitrarily for the examples listed in the following table. All input pulses are supplied by generators having the following characteristics: PRR ≤ 1MHz, $Z_O = 50\Omega$, $t_t < 2.5\text{ns}$.

For clock inputs, f_{max} is measured when the input duty cycle is 50%.

The outputs are measured individually with one input transition per measurement.



(1) C_L includes probe and test-fixture capacitance.

Figure 7-1. Load Circuit for Push-Pull Outputs

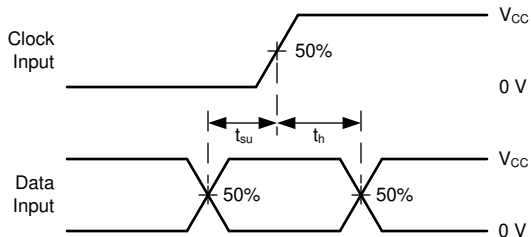


Figure 7-3. Voltage Waveforms, Setup and Hold Times

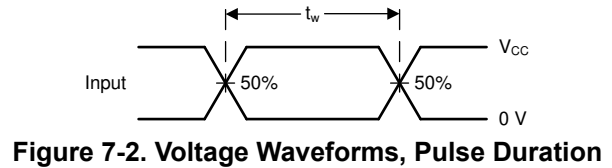
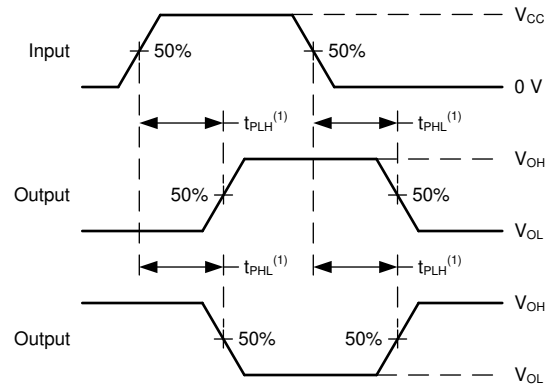
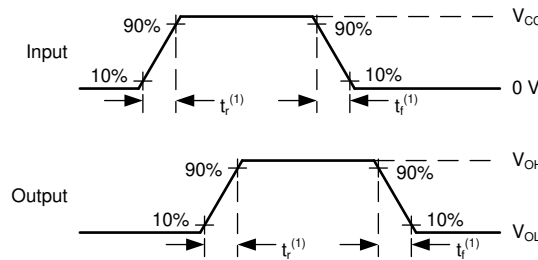


Figure 7-2. Voltage Waveforms, Pulse Duration



(1) The greater between t_{PLH} and t_{PHL} is the same as t_{pd} .

Figure 7-4. Voltage Waveforms Propagation Delays



(1) The greater between t_r and t_f is the same as t_t .

Figure 7-5. Voltage Waveforms, Input and Output Transition Times

8 Detailed Description

8.1 Overview

The SN74LV4040B-EP is a 12-bit asynchronous binary counter with the outputs of all stages available externally. A high level at the clear (CLR) input asynchronously clears the counter and resets all outputs low. The count is advanced on a high-to-low transition at the clock (CLK) input. Applications include time-delay circuits, counter controls, and frequency-dividing circuits.

The SN74LV4040B-EP is fully specified for partial-power-down applications using I_{off} . The I_{off} circuitry disables the outputs, preventing damaging current backflow through the devices when powered down.

8.2 Functional Block Diagram

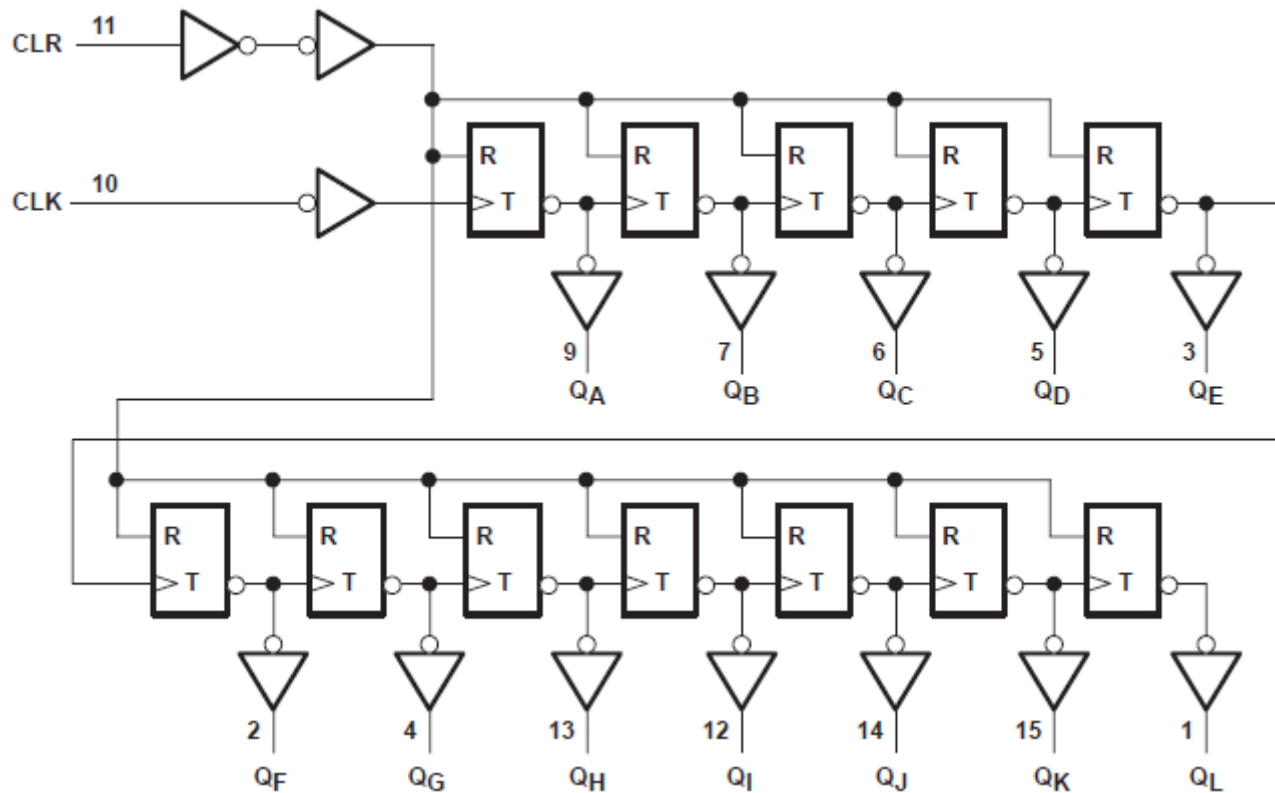


Figure 8-1. Logic Diagram (Positive Logic)

8.3 Feature Description

8.3.1 Balanced CMOS Push-Pull Outputs

This device includes balanced CMOS push-pull outputs. The term *balanced* indicates that the device can sink and source similar currents. The drive capability of this device may create fast edges into light loads, so routing and load conditions should be considered to prevent ringing. Additionally, the outputs of this device are capable of driving larger currents than the device can sustain without being damaged. It is important to limit the output power of the device to avoid damage due to overcurrent. The electrical and thermal limits defined in the *Absolute Maximum Ratings* must be followed at all times.

Unused push-pull CMOS outputs must be left disconnected.

8.3.2 Standard CMOS Inputs

This device includes standard CMOS inputs. Standard CMOS inputs are high impedance and are typically modeled as a resistor in parallel with the input capacitance given in the *Electrical Characteristics*. The worst case resistance is calculated with the maximum input voltage, given in the *Absolute Maximum Ratings*, and the maximum input leakage current, given in the *Electrical Characteristics*, using Ohm's law ($R = V \div I$).

Standard CMOS inputs require that input signals transition between valid logic states quickly, as defined by the input transition time or rate in the *Recommended Operating Conditions* table. Failing to meet this specification will result in excessive power consumption and could cause oscillations. More details can be found in *Implications of Slow or Floating CMOS Inputs*.

Do not leave standard CMOS inputs floating at any time during operation. Unused inputs must be terminated at V_{CC} or GND. If a system will not be actively driving an input at all times, then a pull-up or pull-down resistor can be added to provide a valid input voltage during these times. The resistor value will depend on multiple factors; a 10k Ω resistor, however, is recommended and will typically meet all requirements.

8.4 Device Functional Modes

Table 8-1 lists the functional modes of the SN74LV4040B-EP.

Table 8-1. Function Table

INPUTS ⁽¹⁾		FUNCTION
CLK	CLR	
↑	L	No change
↓	L	Advance to next count
X	H	All outputs L

(1) H = High Voltage Level, L = Low Voltage Level, X = Don't Care

9 Application and Implementation

Note

Information in the following applications sections is not part of the TI component specification, and TI does not warrant its accuracy or completeness. TI's customers are responsible for determining suitability of components for their purposes, as well as validating and testing their design implementation to confirm system functionality.

9.1 Application Information

The SN74LV4040B-EP can be used to provide a binary count or frequency division for up to 12 stages or a factor of 4096. The figure in the *Application Curve* section shows the binary states and outputs by clock inputs. Using these factors a frequency divider can be implemented as shown under *Typical Application*.

9.2 Typical Application

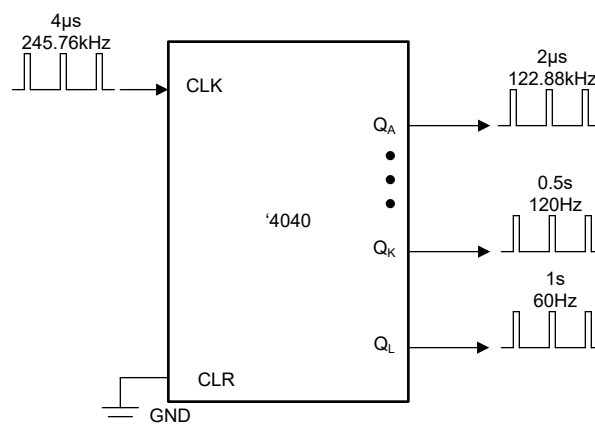


Figure 9-1. Typical Application Block Diagram

9.2.1 Design Requirements

9.2.1.1 Power Considerations

Ensure the desired supply voltage is within the range specified in the [Electrical Characteristics](#). The supply voltage sets the device's electrical characteristics of the device as described in the [Electrical Characteristics](#) section.

The positive voltage supply must be capable of sourcing current equal to the total current to be sourced by all outputs of the SN74LV4040B-EP plus the maximum static supply current, I_{CC} , listed in the [Electrical Characteristics](#), and any transient current required for switching. The logic device can only source as much current that is provided by the positive supply source. Ensure the maximum total current through V_{CC} listed in the [Absolute Maximum Ratings](#) is not exceeded.

The ground must be capable of sinking current equal to the total current to be sunk by all outputs of the SN74LV4040B-EP plus the maximum supply current, I_{CC} , listed in the [Electrical Characteristics](#), and any transient current required for switching. The logic device can only sink as much current that can be sunk into its ground connection. Ensure the maximum total current through GND listed in the [Absolute Maximum Ratings](#) is not exceeded.

The SN74LV4040B-EP can drive a load with a total capacitance less than or equal to 50pF while still meeting all of the data sheet specifications. Larger capacitive loads can be applied; however, it is not recommended to exceed 50pF.

The SN74LV4040B-EP can drive a load with total resistance described by $R_L \geq V_O / I_O$, with the output voltage and current defined in the [Electrical Characteristics](#) table with V_{OH} and V_{OL} . When outputting in the HIGH state, the output voltage in the equation is defined as the difference between the measured output voltage and the supply voltage at the V_{CC} pin.

Total power consumption can be calculated using the information provided in the [CMOS Power Consumption and Cpd Calculation](#) application note.

Thermal increase can be calculated using the information provided in the [Thermal Characteristics of Standard Linear and Logic \(SLL\) Packages and Devices](#) application note.

CAUTION

The maximum junction temperature, $T_{J(max)}$ listed in the [Absolute Maximum Ratings](#), is an additional limitation to prevent damage to the device. Do not violate any values listed in the [Absolute Maximum Ratings](#). These limits are provided to prevent damage to the device.

9.2.1.2 Input Considerations

Input signals must cross $V_{IL(max)}$ to be considered a logic LOW, and $V_{IH(min)}$ to be considered a logic HIGH. Do not exceed the maximum input voltage range found in the [Absolute Maximum Ratings](#).

Unused inputs must be terminated to either V_{CC} or ground. The unused inputs can be directly terminated if the input is completely unused, or they can be connected with a pull-up or pull-down resistor if the input will be used sometimes, but not always. A pull-up resistor is used for a default state of HIGH, and a pull-down resistor is used for a default state of LOW. The drive current of the controller, leakage current into the SN74LV4040B-EP (as specified in the [Electrical Characteristics](#)), and the desired input transition rate limits the resistor size. A 10k Ω resistor value is often used due to these factors.

The SN74LV4040B-EP has CMOS inputs and thus requires fast input transitions to operate correctly, as defined in the [Electrical Characteristics](#) table. Slow input transitions can cause oscillations, additional power consumption, and reduction in device reliability.

Refer to the [Feature Description](#) section for additional information regarding the inputs for this device.

9.2.1.3 Output Considerations

The positive supply voltage is used to produce the output HIGH voltage. Drawing current from the output will decrease the output voltage as specified by the V_{OH} specification in the [Electrical Characteristics](#). The ground voltage is used to produce the output LOW voltage. Sinking current into the output will increase the output voltage as specified by the V_{OL} specification in the [Electrical Characteristics](#).

Push-pull outputs that could be in opposite states, even for a very short time period, should never be connected directly together. This can cause excessive current and damage to the device.

Two channels within the same device with the same input signals can be connected in parallel for additional output drive strength.

Unused outputs can be left floating. Do not connect outputs directly to V_{CC} or ground.

Refer to the [Feature Description](#) section for additional information regarding the outputs for this device.

9.2.2 Detailed Design Procedure

1. Add a decoupling capacitor from V_{CC} to GND. The capacitor needs to be placed physically close to the device and electrically close to both the V_{CC} and GND pins. An example layout is shown in the [Layout](#) section.
2. Verify that the capacitive load at the output is $\leq 50\text{pF}$. This is not a hard limit; by design, however, it will optimize performance. This can be accomplished by providing short, appropriately sized traces from the SN74LV4040B-EP to one or more of the receiving devices.
3. Verify that the resistive load at the output is larger than $(V_{CC} / I_{O(max)})\Omega$. Doing this prevents the maximum output current from the [Absolute Maximum Ratings](#) from being violated. Most CMOS inputs have a resistive load measured in $M\Omega$; much larger than the minimum calculated previously.
4. Thermal issues are rarely a concern for logic gates; the power consumption and thermal increase, however, can be calculated using the steps provided in the [CMOS Power Consumption and Cpd Calculation](#) application note.

9.2.3 Application Curves

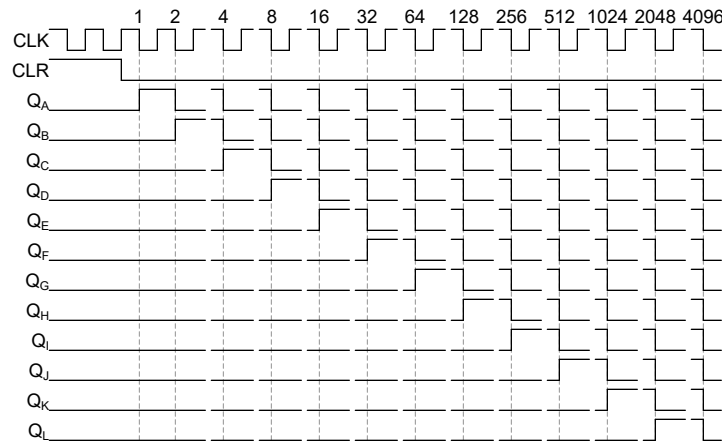


Figure 9-2. Logic Timing Diagram

9.3 Power Supply Recommendations

The power supply can be any voltage between the minimum and maximum supply voltage rating located in the [Recommended Operating Conditions](#). Each V_{CC} terminal should have a good bypass capacitor to prevent power disturbance.

A 0.1 μ F capacitor is recommended for this device. It is acceptable to parallel multiple bypass capacitors to reject different frequencies of noise. The 0.1 μ F and 1 μ F capacitors are commonly used in parallel. The bypass capacitor should be installed as close to the power terminal as possible for best results.

9.4 Layout

9.4.1 Layout Guidelines

When using multiple-input and multiple-channel logic devices, inputs must never be left floating. In many cases, functions or parts of functions of digital logic devices are unused; for example, when only two inputs of a triple-input AND gate are used or only 3 of the 4 buffer gates are used. Such unused input pins must not be left unconnected because the undefined voltages at the outside connections result in undefined operational states. All unused inputs of digital logic devices must be connected to a logic high or logic low voltage, as defined by the input voltage specifications, to prevent them from floating. The logic level that must be applied to any particular unused input depends on the function of the device. Generally, the inputs are tied to GND or V_{CC} , whichever makes more sense for the logic function or is more convenient.

9.4.2 Layout Example

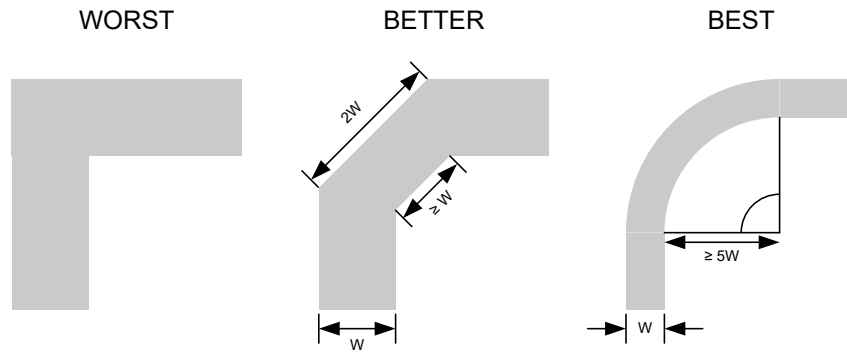


Figure 9-3. Example trace corners for improved signal integrity

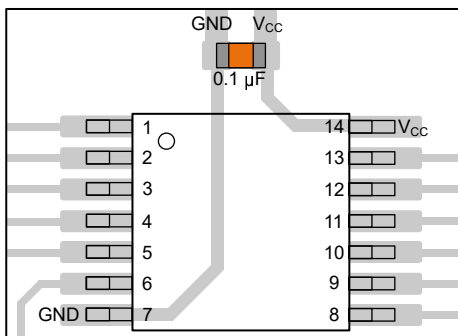


Figure 9-4. Example bypass capacitor placement for TSSOP and similar packages

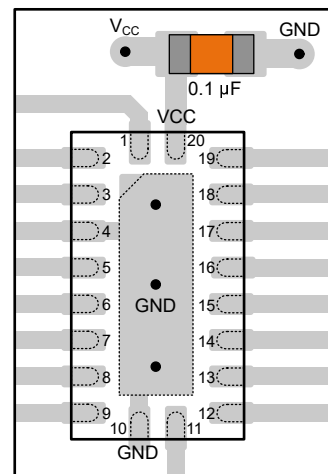


Figure 9-5. Example bypass capacitor placement for WQFN and similar packages

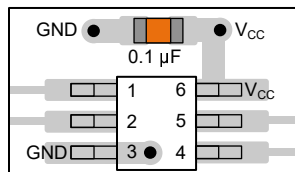


Figure 9-6. Example bypass capacitor placement for SOT, SC70 and similar packages

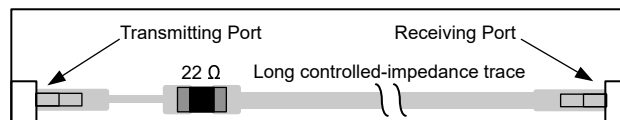


Figure 9-7. Example damping resistor placement for improved signal integrity

10 Device and Documentation Support

TI offers an extensive line of development tools. Tools and software to evaluate the performance of the device, generate code, and develop solutions are listed below.

10.1 Documentation Support

10.1.1 Related Documentation

For related documentation, see the following:

- Texas Instruments, [CMOS Power Consumption and \$C_{pd}\$ Calculation application note](#)
- Texas Instruments, [Designing With Logic application note](#)
- Texas Instruments, [Thermal Characteristics of Standard Linear and Logic \(SLL\) Packages and Devices application note](#)

10.2 Receiving Notification of Documentation Updates

To receive notification of documentation updates, navigate to the device product folder on ti.com. Click on *Notifications* to register and receive a weekly digest of any product information that has changed. For change details, review the revision history included in any revised document.

10.3 Support Resources

TI E2E™ [support forums](#) are an engineer's go-to source for fast, verified answers and design help — straight from the experts. Search existing answers or ask your own question to get the quick design help you need.

Linked content is provided "AS IS" by the respective contributors. They do not constitute TI specifications and do not necessarily reflect TI's views; see TI's [Terms of Use](#).

10.4 Trademarks

TI E2E™ is a trademark of Texas Instruments.

All trademarks are the property of their respective owners.

10.5 Electrostatic Discharge Caution



This integrated circuit can be damaged by ESD. Texas Instruments recommends that all integrated circuits be handled with appropriate precautions. Failure to observe proper handling and installation procedures can cause damage.

ESD damage can range from subtle performance degradation to complete device failure. Precision integrated circuits may be more susceptible to damage because very small parametric changes could cause the device not to meet its published specifications.

10.6 Glossary

[TI Glossary](#) This glossary lists and explains terms, acronyms, and definitions.

11 Revision History

NOTE: Page numbers for previous revisions may differ from page numbers in the current version.

Changes from Revision * (October 2024) to Revision A (August 2025)	Page
• Updated Pin Configuration and Functions table.....	3

12 Mechanical, Packaging, and Orderable Information

The following pages include mechanical, packaging, and orderable information. This information is the most current data available for the designated devices. This data is subject to change without notice and revision of this document. For browser-based versions of this data sheet, refer to the left-hand navigation.

PACKAGING INFORMATION

Orderable part number	Status (1)	Material type (2)	Package Pins	Package qty Carrier	RoHS (3)	Lead finish/ Ball material (4)	MSL rating/ Peak reflow (5)	Op temp (°C)	Part marking (6)
SN74LV4040BMPWREP	Active	Production	TSSOP (PW) 16	3000 LARGE T&R	Yes	NIPDAU	Level-1-260C-UNLIM	-55 to 125	LW040B
SN74LV4040BMPWREP.A	Active	Production	TSSOP (PW) 16	3000 LARGE T&R	Yes	NIPDAU	Level-1-260C-UNLIM	-55 to 125	LW040B

(1) **Status:** For more details on status, see our [product life cycle](#).

(2) **Material type:** When designated, preproduction parts are prototypes/experimental devices, and are not yet approved or released for full production. Testing and final process, including without limitation quality assurance, reliability performance testing, and/or process qualification, may not yet be complete, and this item is subject to further changes or possible discontinuation. If available for ordering, purchases will be subject to an additional waiver at checkout, and are intended for early internal evaluation purposes only. These items are sold without warranties of any kind.

(3) **RoHS values:** Yes, No, RoHS Exempt. See the [TI RoHS Statement](#) for additional information and value definition.

(4) **Lead finish/Ball material:** Parts may have multiple material finish options. Finish options are separated by a vertical ruled line. Lead finish/Ball material values may wrap to two lines if the finish value exceeds the maximum column width.

(5) **MSL rating/Peak reflow:** The moisture sensitivity level ratings and peak solder (reflow) temperatures. In the event that a part has multiple moisture sensitivity ratings, only the lowest level per JEDEC standards is shown. Refer to the shipping label for the actual reflow temperature that will be used to mount the part to the printed circuit board.

(6) **Part marking:** There may be an additional marking, which relates to the logo, the lot trace code information, or the environmental category of the part.

Multiple part markings will be inside parentheses. Only one part marking contained in parentheses and separated by a "~" will appear on a part. If a line is indented then it is a continuation of the previous line and the two combined represent the entire part marking for that device.

Important Information and Disclaimer:The information provided on this page represents TI's knowledge and belief as of the date that it is provided. TI bases its knowledge and belief on information provided by third parties, and makes no representation or warranty as to the accuracy of such information. Efforts are underway to better integrate information from third parties. TI has taken and continues to take reasonable steps to provide representative and accurate information but may not have conducted destructive testing or chemical analysis on incoming materials and chemicals. TI and TI suppliers consider certain information to be proprietary, and thus CAS numbers and other limited information may not be available for release.

In no event shall TI's liability arising out of such information exceed the total purchase price of the TI part(s) at issue in this document sold by TI to Customer on an annual basis.

TAPE AND REEL INFORMATION

QUADRANT ASSIGNMENTS FOR PIN 1 ORIENTATION IN TAPE

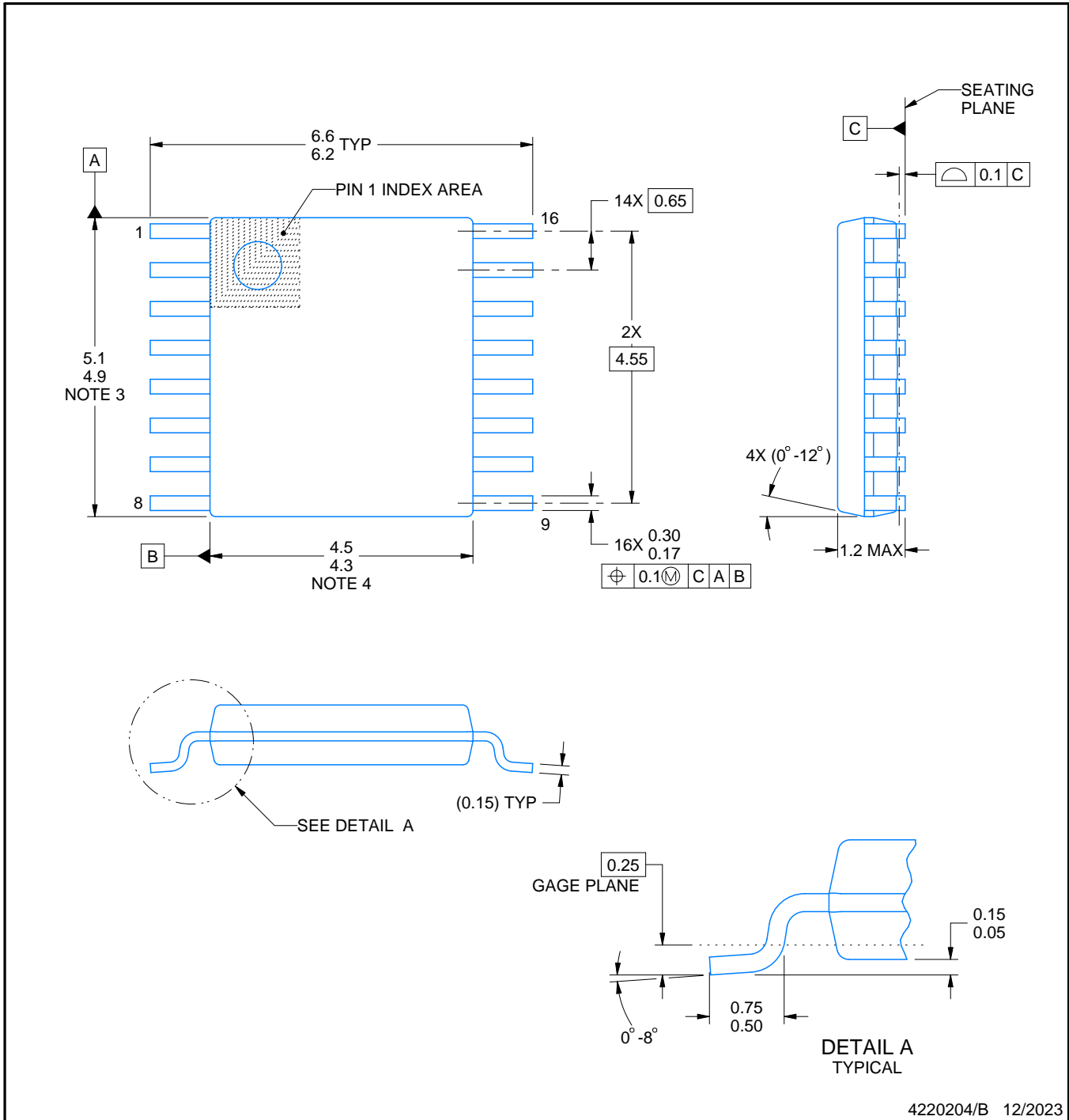

*All dimensions are nominal

Device	Package Type	Package Drawing	Pins	SPQ	Reel Diameter (mm)	Reel Width W1 (mm)	A0 (mm)	B0 (mm)	K0 (mm)	P1 (mm)	W (mm)	Pin1 Quadrant
SN74LV4040BMPWREP	TSSOP	PW	16	3000	330.0	12.4	6.9	5.6	1.6	8.0	12.0	Q1

TAPE AND REEL BOX DIMENSIONS


*All dimensions are nominal

Device	Package Type	Package Drawing	Pins	SPQ	Length (mm)	Width (mm)	Height (mm)
SN74LV4040BMPWREP	TSSOP	PW	16	3000	353.0	353.0	32.0



4220204/B 12/2023

NOTES:

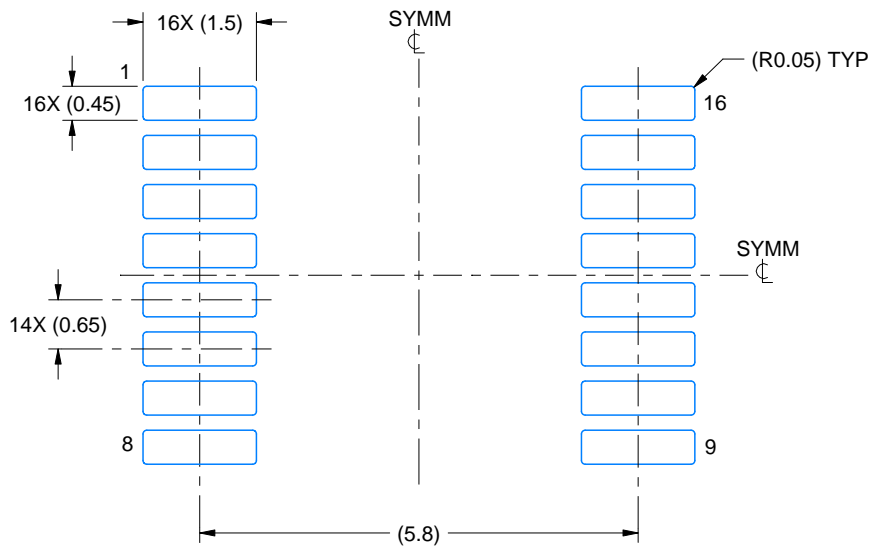
1. All linear dimensions are in millimeters. Any dimensions in parenthesis are for reference only. Dimensioning and tolerancing per ASME Y14.5M.
2. This drawing is subject to change without notice.
3. This dimension does not include mold flash, protrusions, or gate burrs. Mold flash, protrusions, or gate burrs shall not exceed 0.15 mm per side.
4. This dimension does not include interlead flash. Interlead flash shall not exceed 0.25 mm per side.
5. Reference JEDEC registration MO-153.

EXAMPLE BOARD LAYOUT

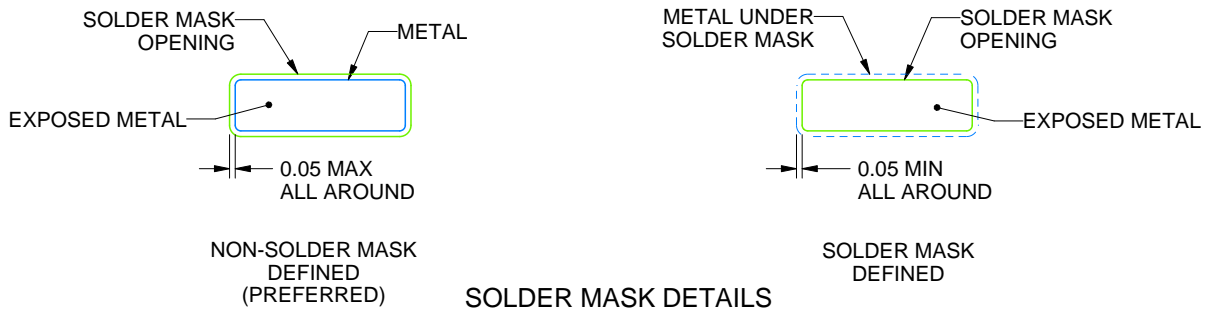
PW0016A

TSSOP - 1.2 mm max height

SMALL OUTLINE PACKAGE



LAND PATTERN EXAMPLE
EXPOSED METAL SHOWN
SCALE: 10X



4220204/B 12/2023

NOTES: (continued)

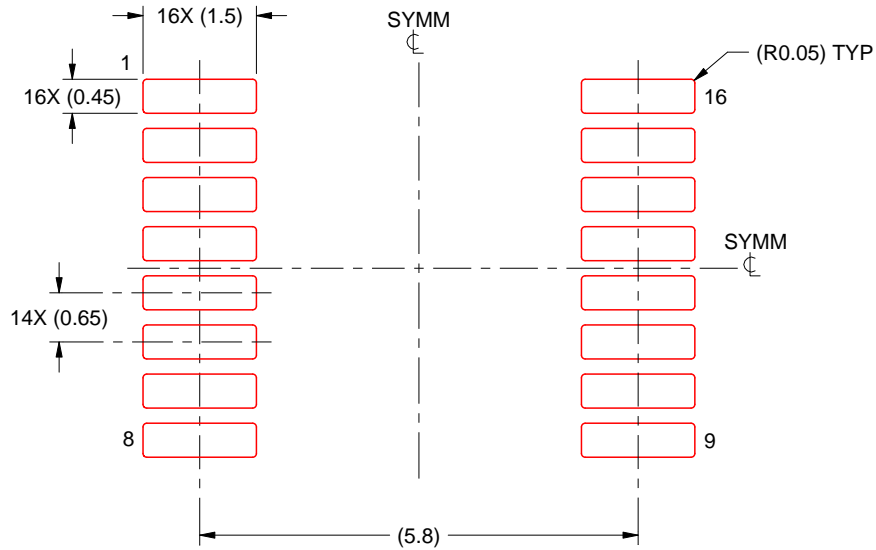
6. Publication IPC-7351 may have alternate designs.
7. Solder mask tolerances between and around signal pads can vary based on board fabrication site.

EXAMPLE STENCIL DESIGN

PW0016A

TSSOP - 1.2 mm max height

SMALL OUTLINE PACKAGE



SOLDER PASTE EXAMPLE
BASED ON 0.125 mm THICK STENCIL
SCALE: 10X

4220204/B 12/2023

NOTES: (continued)

8. Laser cutting apertures with trapezoidal walls and rounded corners may offer better paste release. IPC-7525 may have alternate design recommendations.
9. Board assembly site may have different recommendations for stencil design.

IMPORTANT NOTICE AND DISCLAIMER

TI PROVIDES TECHNICAL AND RELIABILITY DATA (INCLUDING DATASHEETS), DESIGN RESOURCES (INCLUDING REFERENCE DESIGNS), APPLICATION OR OTHER DESIGN ADVICE, WEB TOOLS, SAFETY INFORMATION, AND OTHER RESOURCES "AS IS" AND WITH ALL FAULTS, AND DISCLAIMS ALL WARRANTIES, EXPRESS AND IMPLIED, INCLUDING WITHOUT LIMITATION ANY IMPLIED WARRANTIES OF MERCHANTABILITY, FITNESS FOR A PARTICULAR PURPOSE OR NON-INFRINGEMENT OF THIRD PARTY INTELLECTUAL PROPERTY RIGHTS.

These resources are intended for skilled developers designing with TI products. You are solely responsible for (1) selecting the appropriate TI products for your application, (2) designing, validating and testing your application, and (3) ensuring your application meets applicable standards, and any other safety, security, regulatory or other requirements.

These resources are subject to change without notice. TI grants you permission to use these resources only for development of an application that uses the TI products described in the resource. Other reproduction and display of these resources is prohibited. No license is granted to any other TI intellectual property right or to any third party intellectual property right. TI disclaims responsibility for, and you fully indemnify TI and its representatives against any claims, damages, costs, losses, and liabilities arising out of your use of these resources.

TI's products are provided subject to [TI's Terms of Sale](#), [TI's General Quality Guidelines](#), or other applicable terms available either on ti.com or provided in conjunction with such TI products. TI's provision of these resources does not expand or otherwise alter TI's applicable warranties or warranty disclaimers for TI products. Unless TI explicitly designates a product as custom or customer-specified, TI products are standard, catalog, general purpose devices.

TI objects to and rejects any additional or different terms you may propose.

Copyright © 2026, Texas Instruments Incorporated

Last updated 10/2025