

SN75DP139 DisplayPort to TMDS Level-Shifting Re-Driver

1 Features

- DisplayPort Physical Layer Input Port to TMDS Physical Layer Output Port
- Integrated TMDS Level-Shifting Re-driver With Receiver Equalization
- Supports Data Rates up to 3.4 Gbps
- Achieves HDMI 1.4b Compliance
- 3D HDMI Support With TMDS Clock Rates up to 340 MHz
- 4k x 2k Operation (30 Hz, 24bpp)
- Deep Color Supporting 36bpp
- Integrated I²C Logic Block for DVI/HDMI Connector Recognition
- Integrated Active I²C Buffer
- Enhanced ESD: 10 kV on All Pins
- Enhanced Commercial Temperature Range: 0°C to 85°C
- 48-Pin 7-mm x 7-mm VQFN (RGZ) Package
- 40-Pin 5-mm x 5-mm WQFN (RSB) Package

2 Applications

- Personal Computer Market
 - DP/TMDS Dongle
 - Desktop PC
 - Notebook PC
 - Docking Station
 - Stand-Alone Video Card

3 Description

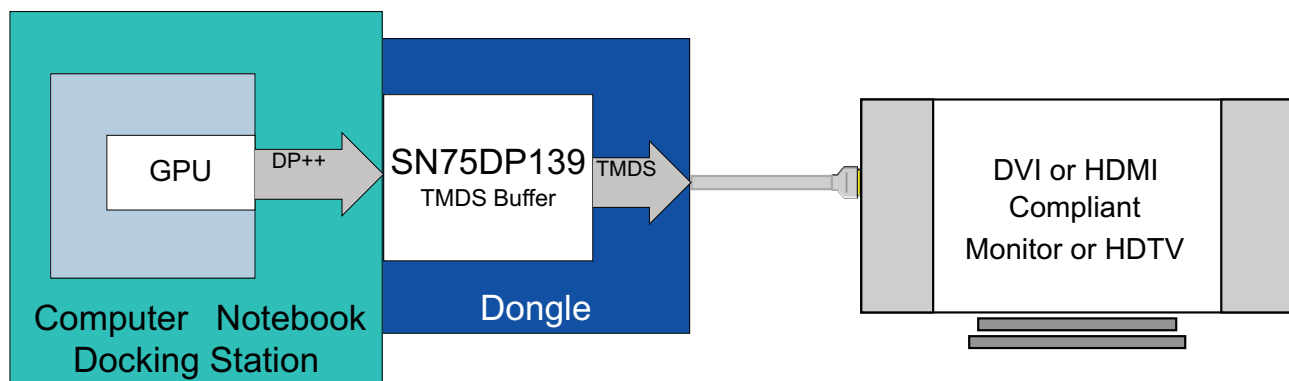
The SN75DP139 is a dual-mode DisplayPort input to Transition-Minimized Differential Signaling (TMDS) output. The TMDS output has a built-in level-shifting re-driver supporting Digital Video Interface (DVI) 1.0 and High Definition Multimedia Interface (HDMI) 1.4b standards. The SN75DP139 is specified up to a maximum data rate of 3.4 Gbps, supporting resolutions greater than 1920 x 1200 or HDTV 12-bit color depth at 1080p (progressive scan). The SN75DP139 is compliant with the HDMI 1.4b specifications and supports optional protocol enhancements such as 3D graphics at resolutions demanding a pixel rate up to 340 MHz.

Device Information⁽¹⁾

PART NUMBER	PACKAGE	BODY SIZE (NOM)
SN75DP139	VQFN (48)	7.00 mm x 7.00 mm
	WQFN (40)	5.00 mm x 5.00 mm

(1) For all available packages, see the orderable addendum at the end of the datasheet.

Typical Application



GPU - Graphics Processing Unit
 DP++ - Dual-Mode DisplayPort
 TMDS - Transition-Minimized Differential Signaling
 DVI - Digital Visual Interface

HDMI - High Definition Multimedia Interface



Table of Contents

1 Features	1	7.1 Overview	18
2 Applications	1	7.2 Functional Block Diagram	18
3 Description	1	7.3 Feature Description	19
4 Revision History	2	7.4 Device Functional Modes	22
5 Pin Configuration and Functions	4	7.5 Programming	22
6 Specifications	7	8 Application and Implementation	27
6.1 Absolute Maximum Ratings	7	8.1 Application Information	27
6.2 ESD Ratings	7	8.2 Typical Application	27
6.3 Recommended Operating Conditions	7	9 Power Supply Recommendations	29
6.4 Thermal Information	8	10 Layout	29
6.5 Electrical Characteristics (Device Power)	9	10.1 Layout Guidelines	29
6.6 Electrical Characteristics (Hot Plug Detect)	9	10.2 Layout Example	30
6.7 Electrical Characteristics (Aux / I ² C Pins)	9	11 Device and Documentation Support	32
6.8 Electrical Characteristics (TMDS and Main Link Pins)	10	11.1 Receiving Notification of Documentation Updates	32
6.9 Switching Characteristics (Hot Plug Detect)	11	11.2 Community Resources	32
6.10 Switching Characteristics (Aux / I ² C Pins)	12	11.3 Trademarks	32
6.11 Switching Characteristics (TMDS and Main Link Pins)	14	11.4 Electrostatic Discharge Caution	32
6.12 Typical Characteristics	17	11.5 Glossary	32
7 Detailed Description	18	12 Mechanical, Packaging, and Orderable Information	32

4 Revision History

NOTE: Page numbers for previous revisions may differ from page numbers in the current version.

Changes from Revision E (September 2014) to Revision F	Page
• Added Note 1 to the <i>Pin Functions</i> table	5
• Changed the Handling Ratings To <i>ESD Ratings</i> and moved the Storage temperature range to the <i>Absolute Maximum Ratings</i>	7

Changes from Revision D (July 2013) to Revision E	Page
• Added <i>Pin Configuration and Functions</i> section, <i>Handling Rating</i> table, <i>Feature Description</i> section, <i>Device Functional Modes</i> , <i>Application and Implementation</i> section, <i>Power Supply Recommendations</i> section, <i>Layout</i> section, <i>Device and Documentation Support</i> section, and <i>Mechanical, Packaging, and Orderable Information</i> section	1

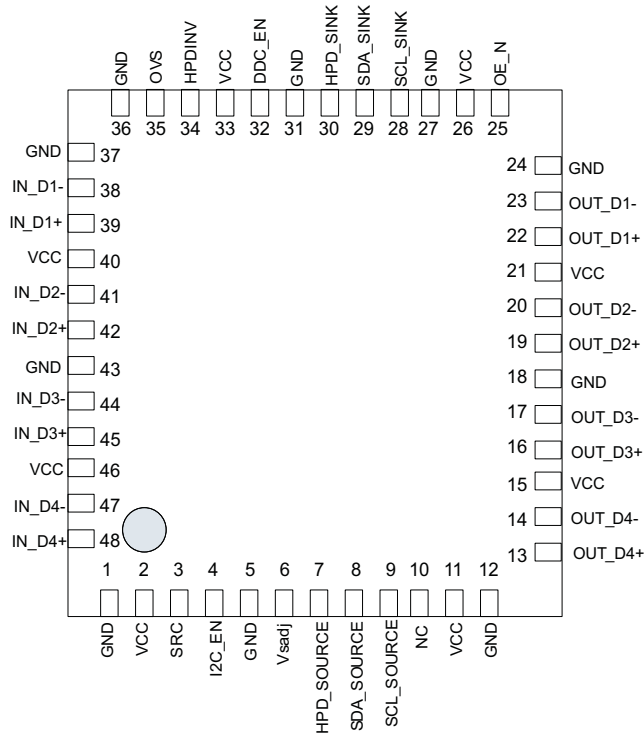
Changes from Revision C (December 2012) to Revision D	Page
• Changed title and Feature bullet from "...TMDS Translator...." to "...TMDS Level Shifting Re-driver"	1
• Changed second sentence text string in Description section from "...built in level translator..." to "built in level shifting re-driver...."	1

Changes from Revision A (July 2010) to Revision B
Page

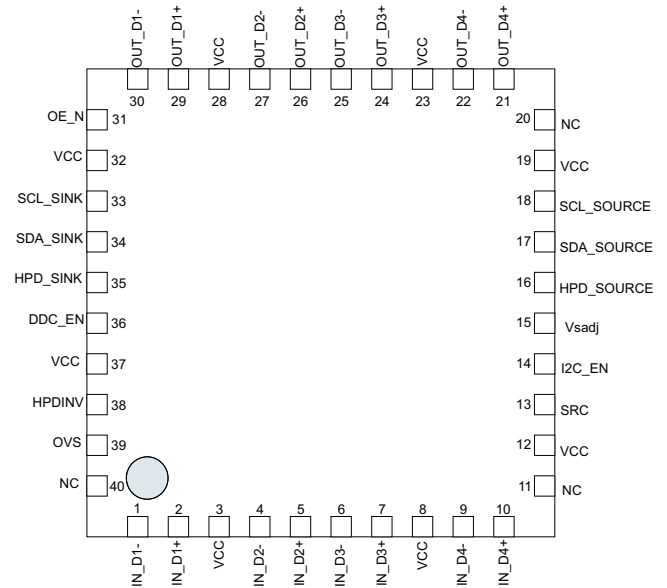
• Added to FEATURES "40 Pin 5 x 5 QFN (RSB) Package"	1
• Added RSB package drawing.....	4
• Changed <i>Pin Functions</i> to include RSB package pins	5
• Added RSB package to ORDERING INFORMATION table.....	6
• Changed voltage range section of Absolute Maximum Ratings.....	7
• Changed input voltages within the Recommended Operating Conditions	7
• Changed thermal resistance info and enable voltages to 3.6V.....	8
• Changed enable voltages from 5 V to 3.6 V	9
• Changed $V_{IH(AUX)}$ max from 5.5 V to 3.6 V	9
• Changed OUT_Dx terminal connections	18

5 Pin Configuration and Functions

**48-Pin VQFN
RGZ Package
(Top View)**



**40-Pin WQFN
RSB Package
(Top View)**



Pin Functions

SIGNAL	PIN		I/O	DESCRIPTION
	NO.			
	RGZ	RSB		
MAIN LINK INPUT PINS				
IN_D1	38, 39	1, 2	I	DisplayPort Main Link Channel 0 Differential Input
IN_D2	41, 42	4, 5	I	DisplayPort Main Link Channel 1 Differential Input
IN_D3	44, 45	6, 7	I	DisplayPort Main Link Channel 2 Differential Input
IN_D4	47, 48	9, 10	I	DisplayPort Main Link Channel 3 Differential Input
MAIN LINK PORT B OUTPUT PINS				
OUT_D1	23, 22	30, 29	O	TMDS Data 2 Differential Output
OUT_D2	20, 19	27, 26	O	TMDS Data 1 Differential Output
OUT_D3	17, 16	25, 24	O	TMDS Data 0 Differential Output
OUT_D4	14, 13	22, 21	O	TMDS Data Clock Differential Output
HOT PLUG DETECT PINS				
HPD_SOURCE	7	16	O	Hot Plug Detect Output
HPD_SINK	30	35	I	Hot Plug Detect Input
AUXILIARY DATA PINS				
SDA_SOURCE, SCL_SOURCE	8, 9	17, 18	I/O	Source Side Bidirectional DisplayPort Auxiliary Data Line
SDA_SINK, SCL_SINK	29, 28	34, 33	I/O	TMDS Port Bidirectional DDC Data Lines
CONTROL PINS				
OE_N	25	31	I	Output Enable and power saving function for High Speed Differential level shifter path.
NC	10	11, 20, 40		No Connect
OVS	35	39	I	DDC I2C buffer offset select
DDC_EN	32	36	I	Enables or Disables the DDC I2C buffer
HPDINV	34	38	I	HPD_SOURCE Logic and Level Select
VSadj	6	15	I	TMDS Compliant Voltage Swing Control
SRC	3	13	I	TMDS outputs rise and fall time select
I2C_EN	4	14	I	Internal I ² C register enable, used for HDMI / DVI connector differentiation
SUPPLY AND GROUND PINS				
VCC	2, 11, 15, 21, 26, 33, 40, 46	3, 8, 12, 19, 23 28, 32, 37		3.3 V Supply
GND	1, 5, 12, 18, 24, 27, 31, 36, 37, 43 ⁽¹⁾	Thermal Pad		Ground

(1) Connect the Thermal Pad to GND

Table 1. Control Pin Lookup Table

SIGNAL	LEVEL ⁽¹⁾	STATE	DESCRIPTION
OE_N	H	Power Saving Mode	Main Link is disabled. IN_Dx termination = 50 Ω with common mode voltage set to 0V. OUT_Dx outputs = high impedance
	L	Normal Mode	IN_Dx termination = 50 Ω OUT_Dx outputs = active
I ² C_EN	H	HDMI	The Internal I2C register is active and readable when the TMDS port is selected indicating that the connector being used is HDMI. This mode selects the fastest rise and fall time for the TMDS differential output signals
	L	DVI	The Internal I2C register is disabled and not readable when the TMDS port is selected indicating that the connector being used is DVI. This mode selects a slower rise and fall time for the TMDS differential output signals See Application Information .
VSadj	4.02 kΩ ±5%	Output Voltage Swing Control	Driver output voltage swing precision control to aid with system compliance
HPDINV	H	HPD Inversion	HPD_SOURCE VOH =0.9V (typical) and HPD logic is inverted
	L	HPD non-inversion	HPD_SOURCE VOH =3.2V (typical) and HPD logic is non-inverted
SRC	H	Edge Rate: Slowest	SRC helps to slow down the rise and fall time. SRC =High adds ~60ps to the rise and fall time of the TMDS differential output signals in addition to the I2C_EN pin selection (recommended setting)
	L	Edge Rate: Slow	SRC helps to slow down the rise and fall time. SRC =Low adds ~30ps to the rise and fall time of the TMDS differential output signals in addition to the I2C_EN pin selection
	Hi-Z	Edge Rate	Leaving the SRC pin High Z, will keep the default rise and fall time of the TMDS differential output signals as selected by the I2C_EN pin. It is recommended that an external resistor-divider (less than 100 kΩ) is used so that voltage on this pin = VCC/2, if Hi-Z logic level is intended on this pin.
OVS	H	Offset 1	DDC source side VOL and VIL offset range 1
	L	Offset 2	DDC source side VOL and VIL offset range 2
	Hi-Z	Offset 3	DDC source side VOL and VIL offset range 3 It is recommended that an external resistor-divider (less than 100 kΩ) is used so that voltage on this pin = VCC/2, if Hi-Z logic level is intended on this pin.
DDC_EN	H	DDC Buffer enabled	DDC Buffer is enabled
	L	DDC buffer disabled	DDC Buffer is disabled

(1) (H) Logic High; (L) Logic Low; (Z) High Z

6 Specifications

6.1 Absolute Maximum Ratings

over operating free-air temperature range (unless otherwise noted)⁽¹⁾

		MIN	MAX	UNIT
Supply voltage range ⁽²⁾	VCC	-0.3	3.6	V
Voltage range	Main Link Input (IN_Dx) differential voltage	-0.3	VCC + 0.3	V
	TMDS Outputs (OUT_Dx)	-0.3	VCC + 0.3	
	HPD_SOURCE, SDA_SOURCE, SCL_SOURCE, OVS, DDC_EN, VSadj, SRC, I ² C_EN	-0.3	VCC + 0.3	
	HPD_SINK, SDA_SINK, SCL_SINK, OE_EN, HPDINV	-0.3	5.5	
Storage temperature range, T _{stg}		-55	150	°C

- (1) Stresses beyond those listed under Absolute Maximum Ratings may cause permanent damage to the device. These are stress ratings only and functional operation of the device at these or any conditions beyond those indicated under *Recommended Operating Conditions* is not implied. Exposure to absolute-maximum-rated conditions for extended periods may affect device reliability.
- (2) All voltage values, except differential voltages, are with respect to network ground terminal.

6.2 ESD Ratings

			VALUE	UNIT
V _(ESD)	Electrostatic discharge	Human body model ⁽¹⁾	±10000	V
		Charged-device model ⁽²⁾	±1500	
		Machine model ⁽³⁾	±200	V

- (1) Tested in accordance with JEDEC Standard 22, Test Method A114-B
- (2) Tested in accordance with JEDEC Standard 22, Test Method C101-A
- (3) Tested in accordance with JEDEC Standard 22, Test Method A115-A

6.3 Recommended Operating Conditions

over operating free-air temperature range (unless otherwise noted)

		MIN	NOM	MAX	UNIT
V _{CC}	Supply Voltage	3	3.3	3.6	V
T _A	Operating free-air temperature	0		85	°C
MAIN LINK DIFFERENTIAL INPUT PINS					
V _{ID_PP}	Peak-to-peak AC input differential voltage	0.15		1.2	V
d _R	Data rate	RGZ package		3.4	Gbps
		RSB package	0.25	3.4	
t _{rise fall time}	Input Signal Rise and Fall time (20%-80%)	75			ps
V _{PRE}	Pre-emphasis on the Input Signal at IN_Dx pins	0	0	0	db
TMDS DIFFERENTIAL OUTPUT PINS					
AV _{CC}	TMDS output termination voltage	3	3.3	3.6	V
d _R	Data rate	RGZ package		3.4	Gbps
		RSB package	0.25	3.4	
R _T	Termination resistance	45	50	55	Ω
R _{Vsadj}	TMDS output swing voltage bias resistor ⁽¹⁾	3.65	4.02		kΩ
AUXILIARY AND I²C PINS					
V _I	Input voltage	SDA_SINK, SCL_SINK	0	5.5	V
		SDA_SOURCE, SCL_SOURCE		3.6	
d _{R(I2C)}	I ² C data rate			100	kHz

- (1) R_{Vsadj} resistor controls the SN75DP139 Driver output voltage swing and thus helps in meeting system compliance. It is recommended that R_{Vsadj} resistor should be above the MIN value as indicated in the RECOMMENDED OPERATING CONDITIONS table, however for NOM and MAX value, [Figure 19](#) could be used as reference. It is important to note that system level losses, AV_{CC} and R_T variation affect R_{Vsadj} resistor selection. Worse case variation on system level losses, AV_{CC}, R_T could make R_{Vsadj} resistor value of 4.02 kΩ ±5% result in non-compliant TMDS output voltage swing. In such cases [Figure 19](#) could be used as reference.

Recommended Operating Conditions (continued)

over operating free-air temperature range (unless otherwise noted)

		MIN	NOM	MAX	UNIT
HPD_SINK, HPDINV, OE_N					
V _{IH}	High-level input voltage	2		5.5	V
V _{IL}	Low-level input voltage	0		0.8	V
DDC_EN, I2C_EN					
V _{IH}	High-level input voltage	2		3.6	V
V _{IL}	Low-level input voltage	0		0.8	V
SRC, OVS					
V _{IH_SRC_OVS}	High-level input voltage	3		3.6	V
V _{IL_SRC_OVS}	Low-level input voltage	0		0.5	V

6.4 Thermal Information

over operating free-air temperature range (unless otherwise noted)

PARAMETER		TEST CONDITIONS		MIN	TYP	MAX ⁽¹⁾	UNIT
θ _{JB}	Junction-to-board thermal resistance		RGZ package		10.9		°C/W
			RSB package		10.8		
θ _{JCT}	Junction-to-case-top thermal resistance		RGZ package		22.5		°C/W
			RSB package		24.4		
ψ _{JB}	Junction-to-board thermal resistance metric	High-K board ⁽²⁾	RGZ package		10.9		°C/W
			RSB package		10.8		
ψ _{JT}	Junction-to-top thermal resistance metric	High-K board ⁽²⁾	RGZ package		0.5		°C/W
			RSB package		0.4		
P _{D1}	Device power dissipation ⁽³⁾	HDMI Mode: OE_N = 0V, DDC_EN = 3.6V, V _{CC} = 3.6V, ML: VID_PP = 1200mV, 3Gbps TMDS pattern AUX: V _I = 3.3V, 100 kHz PRBS HPD: HPD_SINK = 5V, I2C_EN = 3.6V, SRC = Hi-Z		270+146		396+146	mW
P _{D2}	Device power dissipation ⁽³⁾	DVI Mode: OE_N = 0V, DDC_EN = 3.6V, V _{CC} = 3.6V, ML: VID_PP = 1200mV, 3Gbps TMDS pattern AUX: V _I = 3.3V, 100 kHz PRBS HPD: HPD_SINK = 5V, I2C_EN = 0V, SRC = Hi-Z		214+146		306+146	mW
P _{SD1}	Device power dissipation under low power with HPDINV = LOW	OE_N = 5V, DDC_EN = 0V, HPDINV = 0V, HPD_SINK = 0V			18	54	μW
P _{SD2}	Device power dissipation under low power with HPDINV = HIGH	OE_N = 5V, DDC_EN = 0V, HPDINV = 5V			1.7	3	mW
P _{SD3}	Device power dissipation under low power with DDC enabled with HPDINV = HIGH	OE_N = 5V, DDC_EN = 3.6V, HPDINV = 5V			16.5	29	mW
P _{SD4}	Device power dissipation under low power with DDC enabled with HPDINV = LOW	OE_N = 5V, DDC_EN = 3.6V, HPDINV = 0V			15	26	mW

 (1) The maximum rating is simulated under 3.6V V_{CC} unless otherwise noted.

 (2) Test conditions for ψ_{JB} and ψ_{JT} are clarified in TI document [Semiconductor and IC Package Thermal Metrics](#).

(3) Power dissipation is the sum of the power consumption from the VCC pins, plus the 146 mW of power from the AVCC (HDMI/DVI Receiver Termination Supply).

6.5 Electrical Characteristics (Device Power)

over operating free-air temperature range (unless otherwise noted)

PARAMETER		TEST CONDITIONS	MIN	TYP	MAX	UNIT
I _{CC1}	Supply current (HDMI Mode)	HDMI Mode: OE_N = 0V, DDC_EN = 3.6 V, V _{CC} = 3.6 V, ML: VID_PP = 1200 mV, 3 Gbps TMDS pattern AUX: V _I = 3.3 V, 100 kHz PRBS HPD: HPD_SINK = 5 V, I2C_EN = 3.6 V, SRC = Hi-Z		82	110	mA
I _{CC2}	Supply Current (DVI Mode)	DVI Mode: OE_N = 0V, DDC_EN = 3.6 V, V _{CC} = 3.6 V, ML: VID_PP = 1200 mV, 3 Gbps TMDS pattern AUX: V _I = 3.3 V, 100 kHz PRBS HPD: HPD_SINK = 5 V, I2C_EN = 0 V, SRC = Hi-Z		65	85	mA
I _{SD1}	Shutdown current with HPDINV = LOW	OE_N = 5 V, DDC_EN = 0 V, HPDINV = 0 V, HPD_SINK = 0 V		5.5	15	μA
I _{SD2}	Shutdown current with HPDINV = HIGH	OE_N = 5 V, DDC_EN = 0 V, HPDINV = 5 V		0.5	0.8	mA
I _{SD3}	Shutdown current with DDC enabled with HPDINV = HIGH	OE_N = 5 V, DDC_EN = 3.6 V, HPDINV = 5 V		5	8	mA
I _{SD4}	Shutdown current with DDC enabled with HPDINV = LOW	OE_N = 5 V, DDC_EN = 3.6 V, HPDINV = 0 V		4.5	7.2	mA

6.6 Electrical Characteristics (Hot Plug Detect)

over recommended operating conditions (unless otherwise noted)

PARAMETER		TEST CONDITIONS	MIN	TYP	MAX	UNIT
V _{OH3.3}	High-level output voltage	I _{OH} = -100 μA, V _{CC} = 3.3 V ±10%, HPDINV = LOW	2.8		3.6	V
V _{OH1.1}	High-level output voltage	I _{OH} = -100 μA, V _{CC} = 3.3 V ±10%, HPDINV = HIGH	0.8		1.1	V
V _{OL}	Low-level output voltage	I _{OH} = 100 μA	0		0.1	V
I _{IH}	High-level input current	V _{IH} = 2.0 V, V _{CC} = 3.6 V	-30		30	μA
I _{IL}	Low-level input current	V _{IL} = 0.8 V, V _{CC} = 3.6 V	-30		30	μA
R _{INTHPD}	Input pull down on HPD_SINK (HPD Input)		110	130	160	kΩ

6.7 Electrical Characteristics (Aux / I²C Pins)

over recommended operating conditions (unless otherwise noted)

PARAMETER		TEST CONDITIONS	MIN	TYP	MAX	UNIT
I _L	Low input current	V _{CC} = 3.6 V, V _I = 0 V	-10		10	μA
I _{lkg(AUX)}	Input leakage current	AUX_I ² C pins (SCL_SOURCE, SDA_SOURCE) V _{CC} = 3.6V, V _I = 3.6 V	-10		10	μA
C _{IO(AUX)}	Input/Output capacitance	AUX_I ² C pins (SCL_SOURCE, SDA_SOURCE) DC bias = 1.65 V, AC = 2.1Vp-p, f = 100 kHz			15	pF
V _{IH(AUX)}	High-level input voltage	AUX_I ² C pins (SCL_SOURCE, SDA_SOURCE)	1.6		3.6	V
V _{IL1(AUX)}	Low-level input voltage	AUX_I ² C pins (SCL_SOURCE, SDA_SOURCE) OVS = HIGH	-0.2		0.36	V
V _{OL1(AUX)}	Low-level output voltage	AUX_I ² C pins (SCL_SOURCE, SDA_SOURCE) I _O = 3 mA, OVS = HIGH	0.6		0.7	V

Electrical Characteristics (Aux / I²C Pins) (continued)

over recommended operating conditions (unless otherwise noted)

PARAMETER			TEST CONDITIONS	MIN	TYP	MAX	UNIT
V _{IL2(AUX)}	Low-level input voltage	AUX_I ² C pins (SCL_SOURCE, SDA_SOURCE)	OVS = Hi-Z	-0.2		0.36	V
V _{OL2(AUX)}	Low-level output voltage	AUX_I ² C pins (SCL_SOURCE, SDA_SOURCE)	I _O = 3 mA, OVS = Hi-Z		0.5	0.6	V
V _{IL3(AUX)}	Low-level input voltage	AUX_I ² C pins (SCL_SOURCE, SDA_SOURCE)	OVS = Low	-0.2		0.27	V
V _{OL3(AUX)}	Low-level output voltage	AUX_I ² C pins (SCL_SOURCE, SDA_SOURCE)	I _O = 3 mA, OVS = Low		0.4	0.5	V
I _{lkg(I2C)}	Input leakage current	I ² C SDA/SCL pins (SCL_SINK, SDA_SINK)	V _{CC} = 3.6 V, V _I = 4.95 V	-10		10	μA
C _{IO(I2C)}	Input/Output capacitance	I ² C SDA/SCL pins (SCL_SINK, SDA_SINK)	DC bias = 2.5 V, AC = 3.5Vp-p, f = 100 kHz			15	pF
V _{IH(I2C)}	High-level input voltage	I ² C SDA/SCL pins (SCL_SINK, SDA_SINK)		2.1		5.5	V
V _{IL(I2C)}	Low-level input voltage	I ² C SDA/SCL pins (SCL_SINK, SDA_SINK)		-0.2		1.5	V
V _{OL(I2C)}	Low-level output voltage	I ² C SDA/SCL pins (SCL_SINK, SDA_SINK)	I _O = 3mA			0.2	V

6.8 Electrical Characteristics (TMDS and Main Link Pins)

over recommended operating conditions (unless otherwise noted)

PARAMETER		TEST CONDITIONS	MIN	TYP	MAX	UNIT
V _{OH}	Single-ended HIGH level output voltage	AVCC = 3.3 V, R _T = 50 Ω,	AVCC-10		AVCC+10	mV
V _{OL}	Single-ended LOW level output voltage		AVCC-600		AVCC+400	mV
V _{SWING}	Single-ended output voltage swing		400		600	mV
V _{OC(SS)}	Change in steady-state common-mode output voltage between logic states		-5		5	mV
V _{OD(PP)}	Peak-to-Peak output differential voltage		800		1200	mV
V _{(O)SBY}	Single-ended standby output voltage		AVCC = 3.3 V, R _T = 50 Ω, OE_N = High	AVCC-10		AVCC+10
I _{(O)OFF}	Single-ended power down output current	0V ≤ V _{CC} ≤ 1.5 V, AVCC = 3.3 V, R _T = 50Ω	-10		10	μA
I _{OS}	Short circuit output current	See Figure 14	-15		15	mA
R _{INT}	Input termination impedance		40	50	60	Ω
V _{term}	Input termination voltage		1		2	V

6.9 Switching Characteristics (Hot Plug Detect)

over recommended operating conditions (unless otherwise noted)

PARAMETER	TEST CONDITIONS	MIN	TYP	MAX	UNIT
$t_{PD(HPD)}$ Propagation delay	$V_{CC} = 3.6\text{ V}$	2		30	ns

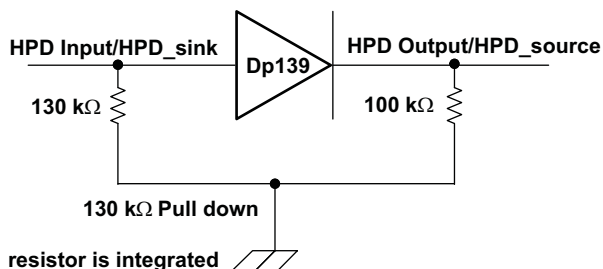


Figure 1. HPD Test Circuit (HPDINV = LOW)

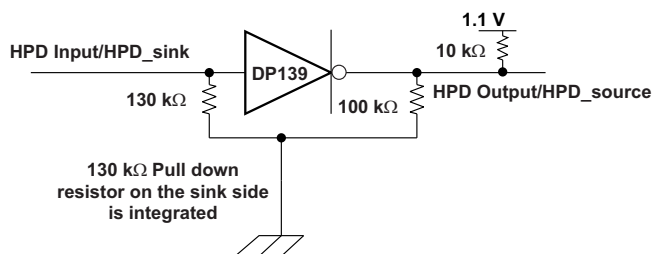


Figure 2. HPD Test Circuit (VOH = 1.1), HPDINV = HIGH

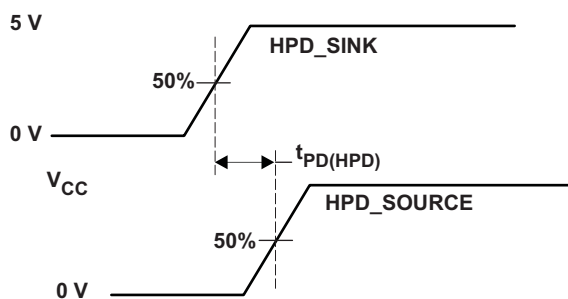


Figure 3. HPD Timing Diagram (HPDINV = LOW)

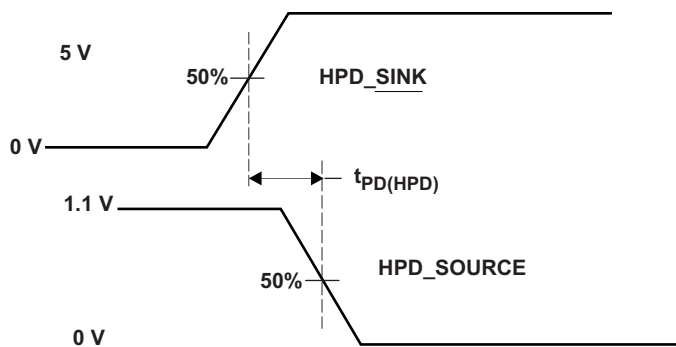
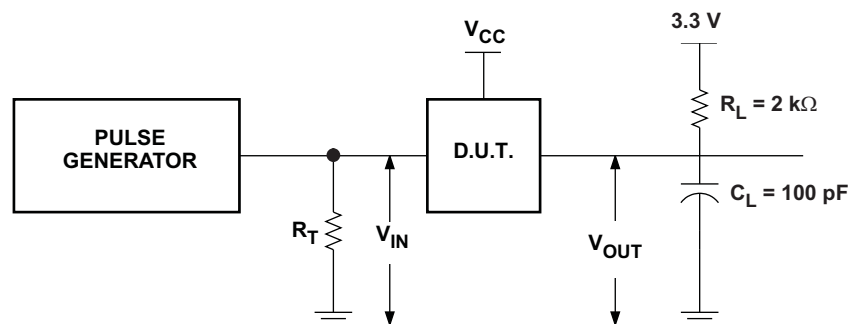
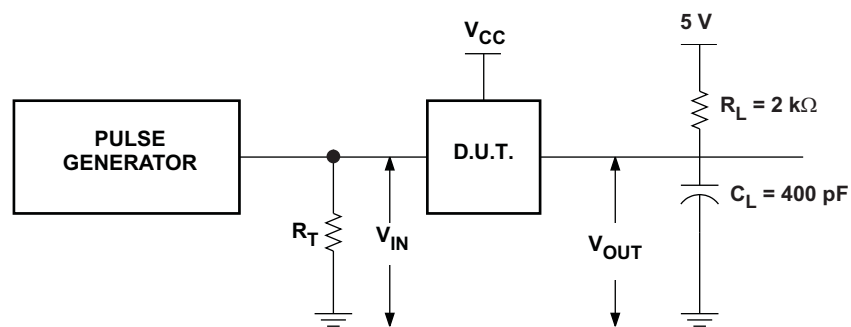


Figure 4. HPD Timing Diagram (HPDINV = HIGH)

6.10 Switching Characteristics (Aux / I²C Pins)

over recommended operating conditions (unless otherwise noted)

PARAMETER		TEST CONDITIONS	MIN	TYP	MAX	UNIT
t_{PLH1}	Propagation delay time, low to high	Source to Sink	204	600		ns
t_{PHL1}	Propagation delay time, high to low	Source to Sink	35	200		ns
t_{PLH2}	Propagation delay time, low to high	Sink to Source	80	251		ns
t_{PHL2}	Propagation delay time, high to low	Sink to Source	35	200		ns
t_{f1}	Output signal fall time	Sink Side	20	72		ns
t_{f2}	Output signal fall time	Source Side	20	72		ns
f_{SCL}	SCL clock frequency for internal register	Source Side			100	kHz
$t_{W(L)}$	Clock LOW period for I ² C register	Source Side	4.7			μ s
$t_{W(H)}$	Clock HIGH period for internal register	Source Side	4.0			μ s
t_{SU1}	Internal register setup time, SDA to SCL	Source Side	250			ns
$t_{h(1)}$	Internal register hold time, SCL to SDA	Source Side	0			μ s
$T_{(buf)}$	Internal register bus free time between STOP and START	Source Side	4.7			μ s
$t_{su(2)}$	Internal register setup time, SCL to START	Source Side	4.7			μ s
$t_{h(2)}$	Internal register hold time, START to SCL	Source Side	4.0			μ s
$t_{su(3)}$	Internal register hold time, SCL to STOP	Source Side	4.0			μ s


Figure 5. Source Side Test Circuit (SCL_SOURCE, SDA_SOURCE)

Figure 6. Sink Side Test Circuit (SCL_SINK, SDA_SINK)

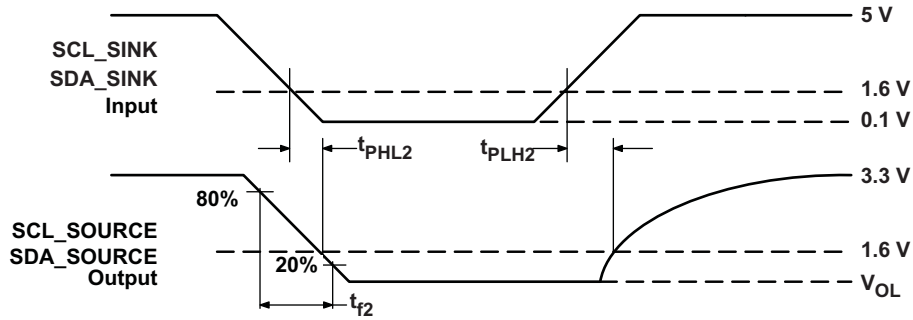


Figure 7. Source Side Output AC Measurements

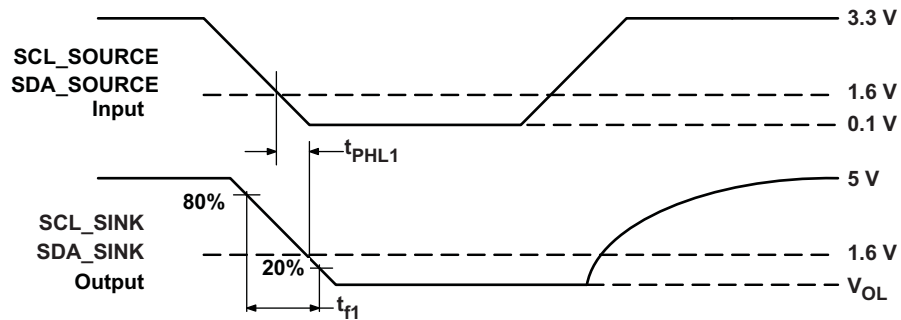


Figure 8. Sink Side Output AC Measurements

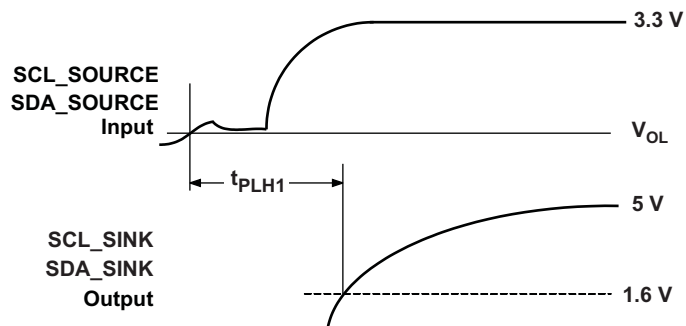


Figure 9. Sink Side Output AC Measurements Continued

6.11 Switching Characteristics (TMDS and Main Link Pins)

over recommended operating conditions (unless otherwise noted)

PARAMETER		TEST CONDITIONS	MIN	TYP	MAX	UNIT
t_{PLH}	Propagation delay time	AVCC=3.3 V, $R_T = 50 \Omega$, $f = 1\text{MHz}$, $R_{V_{sadj}} = 4.02 \text{ k}\Omega$	250	350	600	ps
t_{PHL}	Propagation delay time		250	350	600	ps
t_{R1}	Rise Time (I2C_EN = HI, SRC = Hi-Z)		60	85	120	ps
t_{F1}	Fall Time (I2C_EN = HI, SRC = Hi-Z)		60	85	120	ps
t_{R2}	Rise Time (I2C_EN = Low, SRC = Hi-Z)			115	150	ps
t_{F2}	Fall Time (I2C_EN = Low, SRC = Hi-Z)			115	150	ps
t_{R3}	Rise Time (I2C_EN = HI, SRC = HI)			150	180	ps
t_{F3}	Fall Time (I2C_EN = HI, SRC = HI)			150	180	ps
t_{R4}	Rise Time (I2C_EN = HI, SRC = Low)			115	150	ps
t_{F4}	Fall Time (I2C_EN = HI, SRC = Low)			115	150	ps
t_{R5}	Rise Time (I2C_EN = Low, SRC = HI)			175	220	ps
t_{F5}	Fall Time (I2C_EN = Low, SRC = HI)			175	220	ps
t_{R6}	Rise Time (I2C_EN = Low, SRC = Low)			150	180	ps
t_{F6}	Fall Time (I2C_EN = Low, SRC = Low)			150	180	ps
$t_{SK(P)}$	Pulse skew			8	15	ps
$t_{SK(D)}$	Intra-pair skew			20	65	ps
$t_{SK(O)}$	Inter-pair skew			20	100	ps
$t_{JITD(PP)}$	Peak-to-peak output residual data jitter	AVCC = 3.3 V, $R_T = 50 \Omega$, $dR = 3\text{Gbps}$, TMDS output slew rate (default). $R_{V_{sadj}} = 4.02 \text{ k}\Omega$ (refer to Figure 13)		14	50	ps
$t_{JITC(PP)}$	Peak-to-peak output residual clock jitter	AVCC = 3.3 V, $R_T = 50 \Omega$, $f = 300 \text{MHz}$ TMDS output slew rate (default). $R_{V_{sadj}} = 4.02 \text{ k}\Omega$ (refer to Figure 13)		8	30	ps

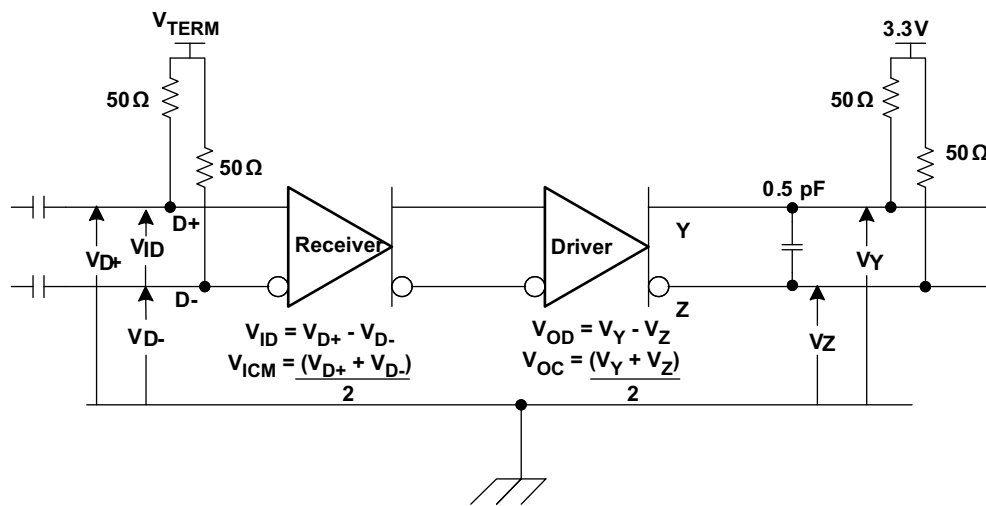


Figure 10. TMDS Main Link Test Circuit

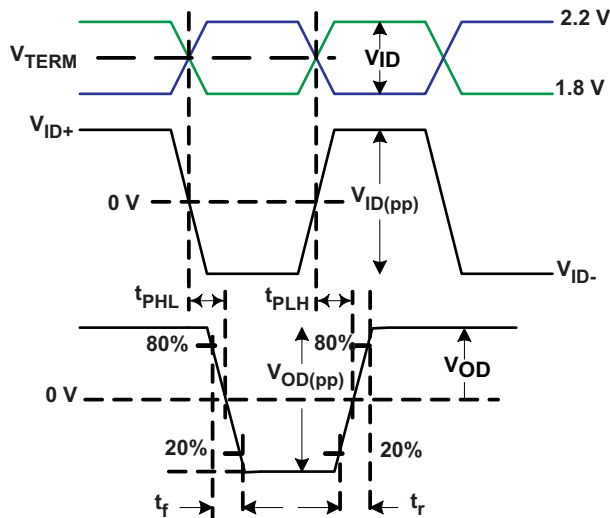


Figure 11. TMD5 Main Link Timing Measurements

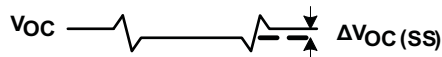
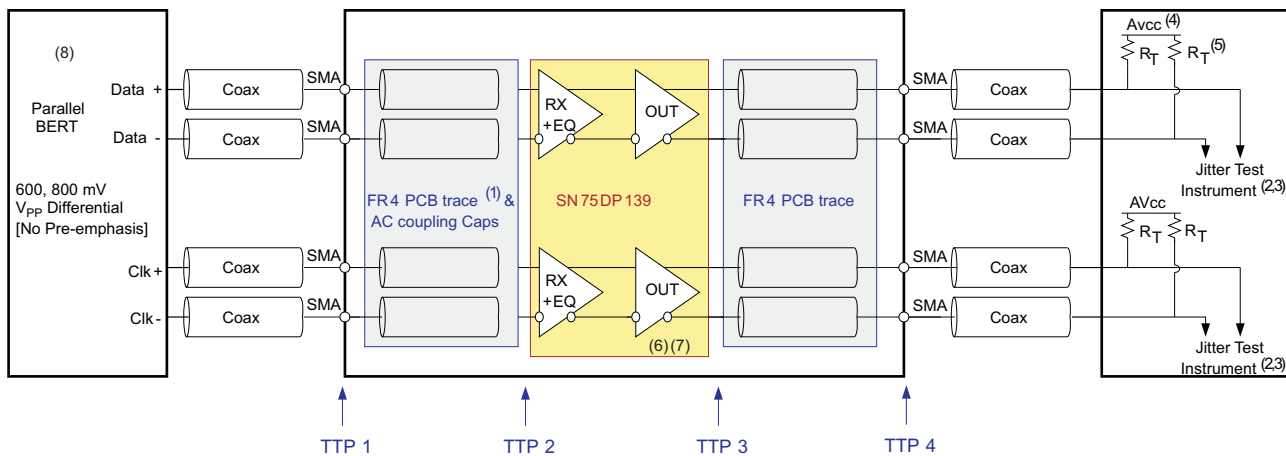


Figure 12. TMD5 Main Link Common Mode Measurements



1. The FR4 trace between TTP1 and TTP2 is designed to emulate 1-8" of FR4, AC coupling cap, connector and another 1-8" of FR4. Trace width - 4 mils.
2. All Jitter is measured at a BER of 10^{-9}
3. Residual jitter reflects the total jitter measured at TTP4 minus the jitter measured at TTP1
4. AVCC = 3.3V
5. $R_T = 50\Omega$.
6. Jitter data is taken with SN75DP139 configured in the fastest slew rate setting(default)
7. $R_{vsadj} = 4.02k\Omega$
8. The input signal from parallel BERT does not have any pre-emphasis. Refer to recommended operating conditions

Figure 13. TMD5 Jitter Measurements

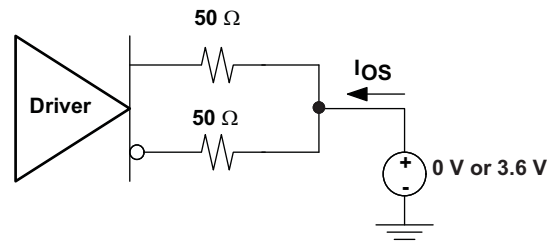


Figure 14. TMD5 Main Link Short Circuit Output Circuit

6.12 Typical Characteristics

AVCC = 3.3 V, R_T = 50 Ω

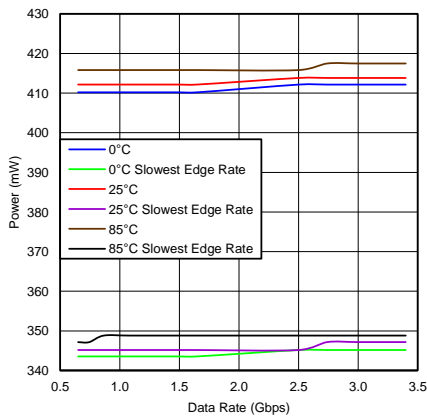


Figure 15. Power Dissipation vs Data Rate

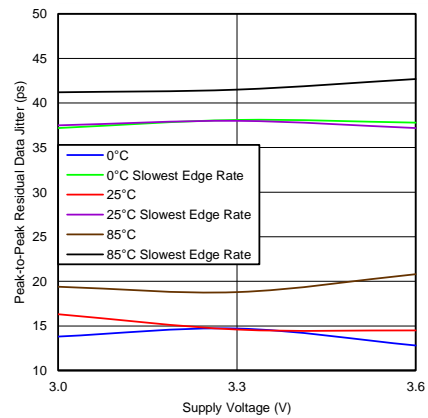


Figure 16. Residual Jitter of 3 Gbps vs Supply Voltage

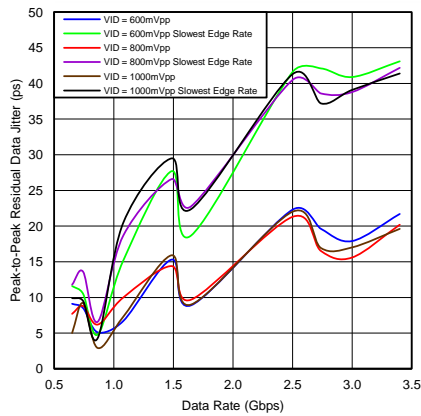


Figure 17. Residual Jitter vs Data Rate (RGZ Package)

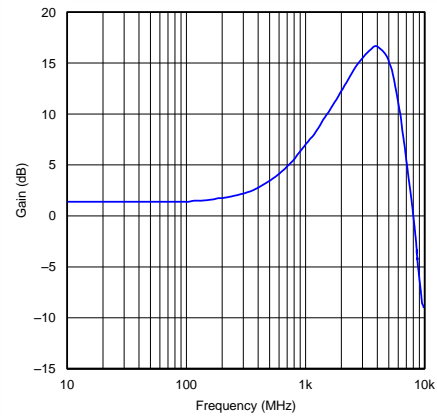


Figure 18. Gain vs Frequency

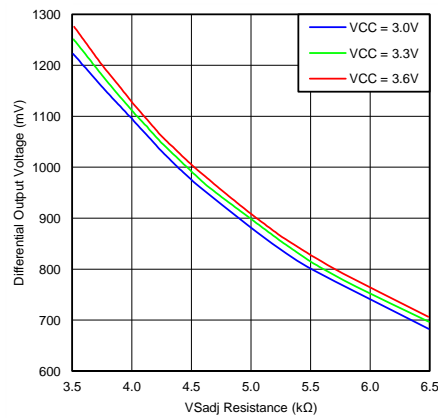


Figure 19. VOD vs V_{SADJ}

7 Detailed Description

7.1 Overview

The SN75DP139 is a Dual-Mode DisplayPort input to Transition-Minimized Differential Signaling (TMDS) output. The TMDS output has a built in level shifting re-driver supporting Digital Video Interface (DVI) 1.0 and High Definition Multimedia Interface (HDMI) 1.4b standards.

An integrated Active I2C buffer isolates the capacitive loading of the source system from that of the sink and interconnecting cable. This isolation improves overall signal integrity of the system and allows for considerable design margin within the source system for DVI / HDMI compliance testing.

A logic block was designed into the SN75DP139 in order to assist with TMDS connector identification. Through the use of the I2C_EN pin, this logic block can be enabled to indicate the translated port is an HDMI port; therefore legally supporting HDMI content.

7.2 Functional Block Diagram

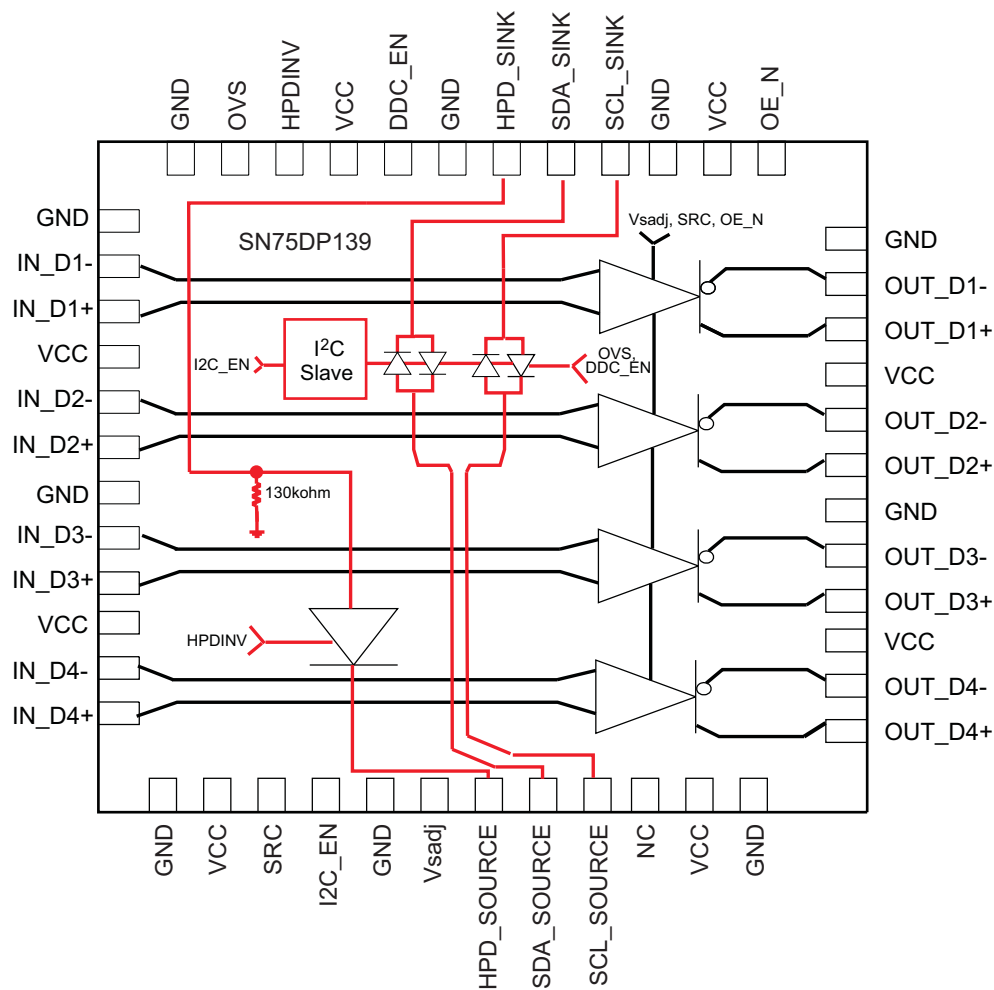


Figure 20. Data Flow Block Diagram

7.3 Feature Description

The SN75DP139 is designed to operate off of one supply voltage VCC.

The SN75DP139 offers features to enable or disable different functionality based on the status of the output enable (OE_N) and DDC Enable (DDC_EN) inputs.

- OE_N affects only the High Speed Differential channels (Main Link/TMDS link). OE_N has no influence on the HPD_SINK input, HPD_SOURCE output, or the DDC buffer.
- DDC_EN affects only the DDC channel. The DDC_EN should never change state during the I2C operation. Disabling DDC_EN during a bus operation will hang the bus, while enabling the DDC_EN during bus traffic will corrupt the I2C bus operation. DDC_EN should only be toggled while the bus is idle.
- TMDS output edge rate control has impact on the SN75DP139 Active power. See [Figure 15](#). TMDS output edge rate can be controlled by SRC pin. Slower output Edge Rate Setting helps in reducing the Active power consumption.

Table 2. Packaging Options

HPD_SINK	HPDINV	OE_N	DDC_EN	IN_Dx	OUT_Dx	DDC	HPD_SOURCE	MODE
Input = H or L	L	L	L	50 Ω termination active	Enabled	High-impedance	Output = non inverted, follows HPD_SINK	Active
Input = H or L	L	L	H	50 Ω termination active	Enabled	enabled	Output = non inverted, follows HPD_SINK	Active
Input = H or L	L	H	L	50 Ω termination active: Terminations connected to common Mode Voltage = 0V.	High-impedance	High-impedance	Output = non inverted, follows HPD_SINK	Low Power
Input = H or L	L	H	H	50 Ω termination active: Terminations connected to common Mode Voltage = 0V.	High-impedance	enabled	Output = non inverted, follows HPD_SINK	Low Power with DDC channel enabled
Input = H or L	H	L	L	50 Ω termination active	Enabled	High-impedance	Output = inverted, follows HPD_SINK	Active
Input = H or L	H	L	H	50 Ω termination active	Enabled	enabled	Output = inverted, follows HPD_SINK	Active
Input = H or L	H	H	L	50 Ω termination active: Terminations connected to common Mode Voltage = 0V.	High-impedance	High-impedance	Output = inverted, follows HPD_SINK	Low Power
Input = H or L	H	H	H	50 Ω termination active: Terminations connected to common Mode Voltage = 0V.	High-impedance	enabled	Output = inverted, follows HPD_SINK	Low Power with DDC channel enabled

L = LOW, H = HIGH

7.3.1 Hot Plug Detect

The SN75DP139 has a built in level shifter for the HPD outputs. The output voltage level of the HPD pin is defined by the voltage level of the VCC pin. The HPD input or HPD_SINK side has 130kohm of pull down resistor integrated.

The logic of the HPD_SOURCE output always follows the logic state of the HPD_SINK input based on the HPDINV pin logic, regardless of whether the device is in Active or Low Power Mode

7.3.2 Aux / I²C Pins

The SN75DP139 utilizes an active I²C repeater. The repeater is designed to isolate the parasitic effects of the system in order to aid with system level compliance.

In addition to the I²C repeater, the SN75DP139 also supports the connector detection I²C register. This register is enabled via the I²C_EN pin. When active an internal memory register is readable via the AUX_I²C I/O. The functionality of this register block is described in the [Programming](#) section.

7.3.3 TMDS and Main Link Pins

The main link inputs are designed to support DisplayPort 1.1 specification. The TMDS outputs of the SN75DP139 are designed to support the Digital Video Interface (DVI) 1.0 and High Definition Multimedia Interface (HDMI) 1.4b specifications. The differential output voltage swing can be fine tuned with the $R_{V_{sadj}}$ resistor.

The DP++ (dual-mode) input of the SN75DP139 is designed to accommodate the standard DP level ac coupled signal with no pre-emphasis with up to 16 inches of trace (4 mil 100 Ω differential stripline).

7.3.4 Input/Output Equivalent Circuits

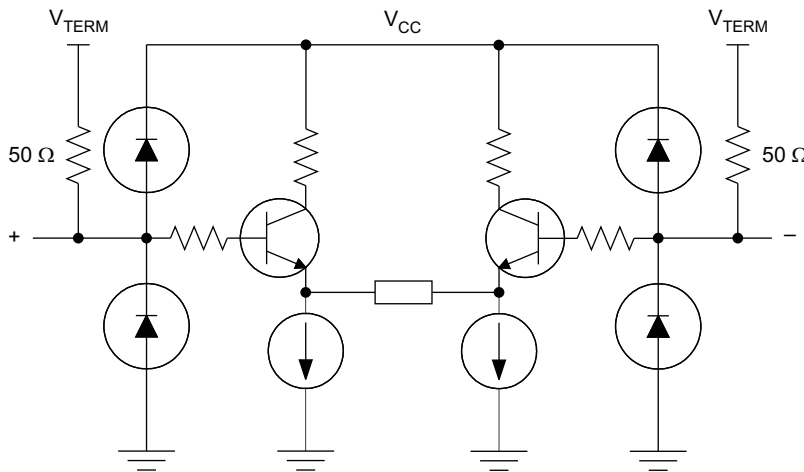


Figure 21. DisplayPort Input Stage

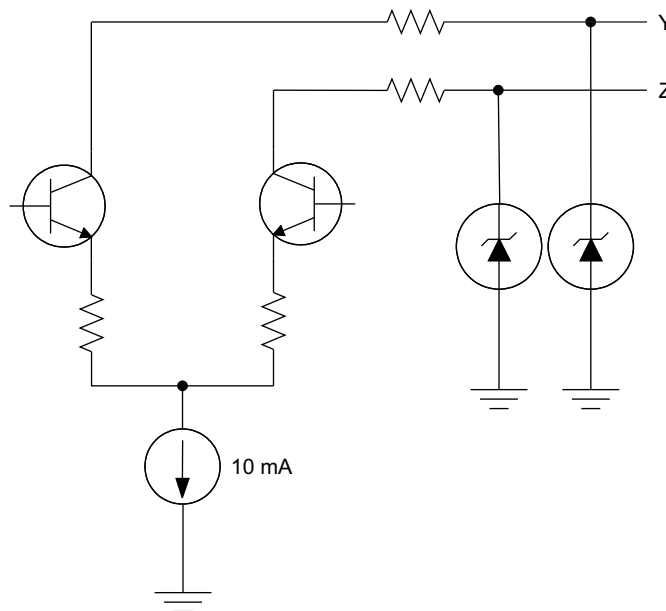


Figure 22. TMDS Output Stage

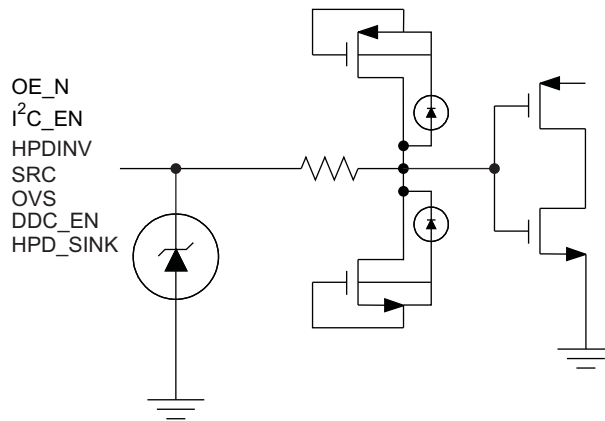


Figure 23. HPD and Control Input Stage

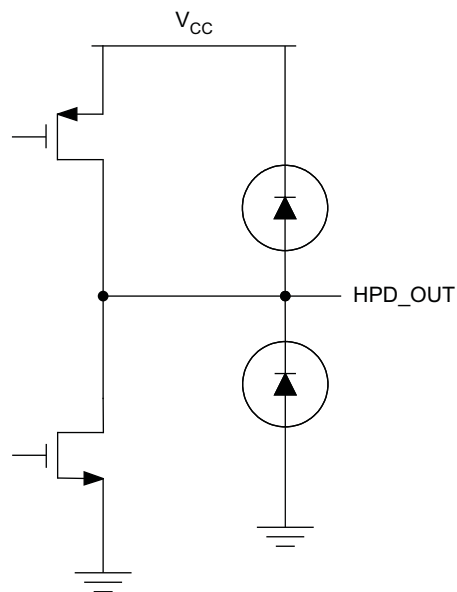


Figure 24. HPD Output Stage

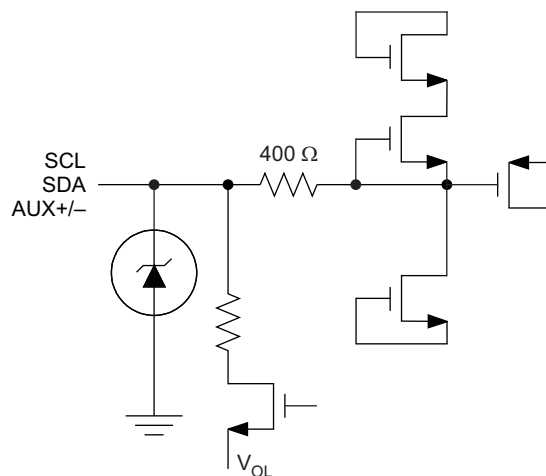


Figure 25. I²C Input and Output Stage

7.4 Device Functional Modes

7.4.1 Active

The SN75DP139 activates the main link channel and thus is able to transmit the TMDS content.

7.4.2 Low Power With DDC Channel Enabled

The SN75DP139 is in low power but keeps its DDC channel active, this allows the device to configure its internal I²C registers.

7.4.3 Low Power

The SN75DP139 is in the lowest power mode, with no activity on the DDC or main link channels.

7.5 Programming

7.5.1 I²C Interface Notes

The I²C interface can be used to access the internal memory of the SN75DP139. I²C is a two-wire serial interface developed by Philips Semiconductor (see I²C-Bus Specification, Version 2.1, January 2000). The bus consists of a data line (SDA) and a clock line (SCL) with pull-up structures. When the bus is *idle*, both SDA and SCL lines are pulled high. All the I²C compatible devices connect to the I²C bus through open drain I/O pins, SDA and SCL. A *master* device, usually a microcontroller or a digital signal processor, controls the bus. The master is responsible for generating the SCL signal and device addresses. The master also generates specific conditions that indicate the START and STOP of data transfer. A *slave* device receives and/or transmits data on the bus under control of the master device. The SN75DP139 works as a slave and supports the standard mode transfer (100 kbps) as defined in the I²C-Bus Specification.

The basic I²C start and stop access cycles are shown in Figure 26.

The basic access cycle consists of the following:

- A start condition
- A slave address cycle
- Any number of data cycles
- A stop condition

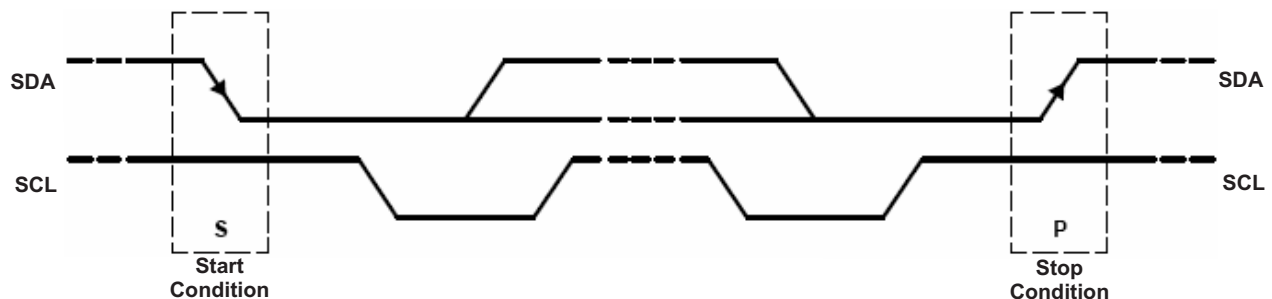


Figure 26. I²C Start And Stop Conditions

7.5.2 General I²C Protocol

- The *master* initiates data transfer by generating a *start condition*. The *start condition* is when a high-to-low transition occurs on the SDA line while SCL is high, as shown in Figure 28. All I²C-compatible devices should recognize a *start condition*.
- The master then generates the SCL pulses and transmits the 7-bit address and the *read/write direction bit* R/W on the SDA line. During all transmissions, the master ensures that data is *valid*. A *valid data condition* requires the SDA line to be stable during the entire high period of the clock pulse (see Figure 27). All devices recognize the address sent by the master and compare it to their internal fixed addresses. Only the slave device with a matching address generates an *acknowledge* (see Figure 28) by pulling the SDA line low during the entire high period of the ninth SCL cycle. On detecting this acknowledge, the master knows that a communication link with a slave has been established.

Programming (continued)

- The master generates further SCL cycles to either *transmit* data to the slave (R/W bit 0) or *receive* data from the slave (R/W bit 1). In either case, the receiver needs to acknowledge the data sent by the *transmitter*. So an acknowledge signal can either be generated by the master or by the slave, depending on which one is the receiver. The 9-bit valid data sequences consisting of 8-bit data and 1-bit acknowledge can continue as long as necessary (See [Figure 29](#)).
- To signal the end of the data transfer, the master generates a *stop condition* by pulling the SDA line from low to high while the SCL line is high (see [Figure 29](#)). This releases the bus and stops the communication link with the addressed slave. All I²C compatible devices must recognize the stop condition. Upon the receipt of a *stop condition*, all devices know that the bus is released, and they wait for a *start condition* followed by a matching address.

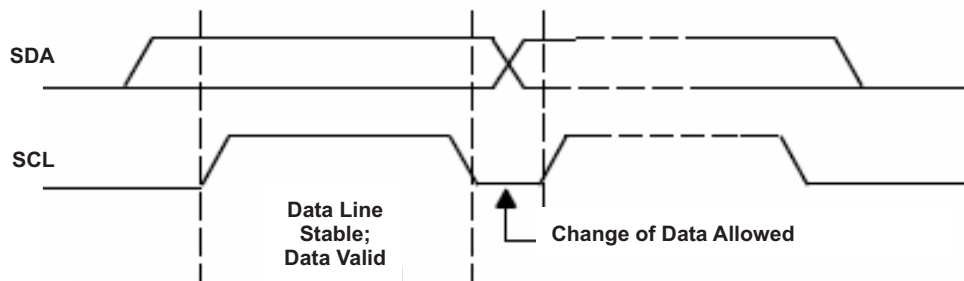


Figure 27. I²C Bit Transfer

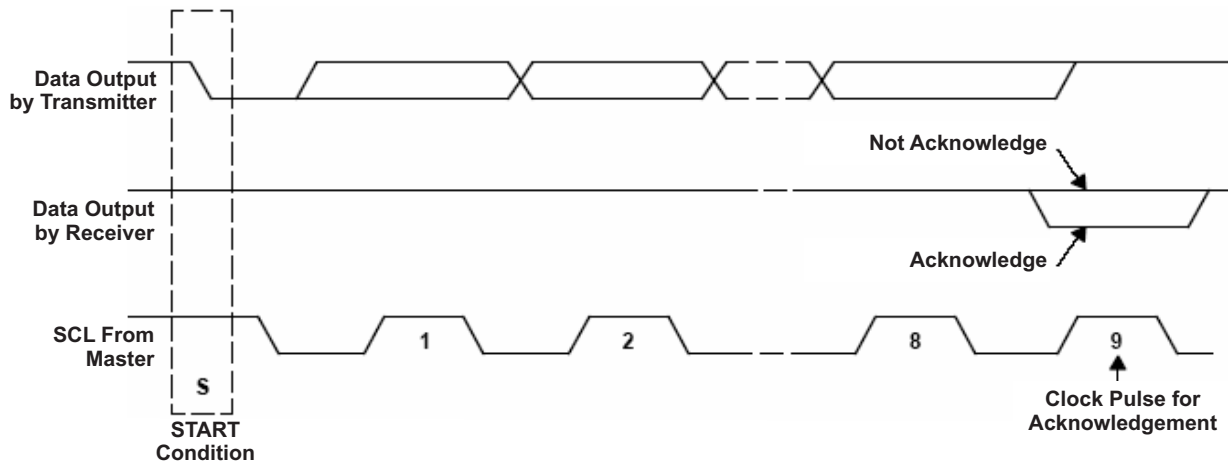


Figure 28. I²C Acknowledge

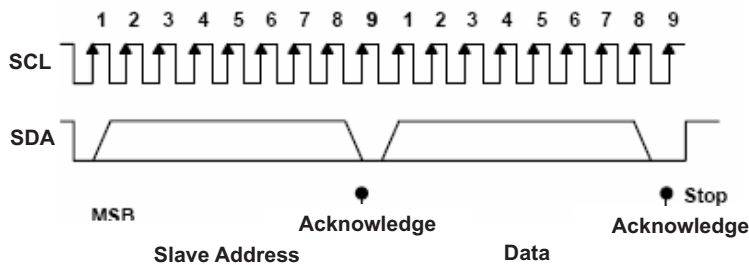


Figure 29. I²C Address And Data Cycles

Programming (continued)

During a read cycle, the slave receiver will acknowledge the initial address byte if it decodes the address as its address. Following this initial acknowledge by the slave, the master device becomes a receiver and acknowledges data bytes sent by the slave. When the master has received all of the requested data bytes from the slave, the not acknowledge (A) condition is initiated by the master by keeping the SDA signal high just before it asserts the stop (P) condition. This sequence terminates a read cycle as shown in Figure 30 and Figure 31. See Example – Reading from the SN75DP139 section for more information.

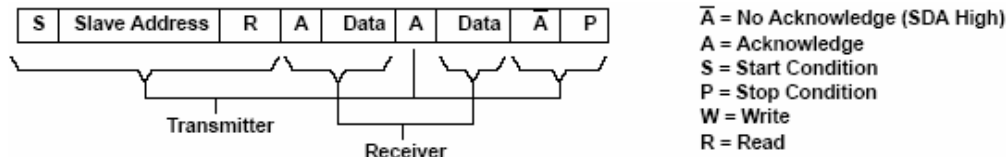


Figure 30. I²C Read Cycle

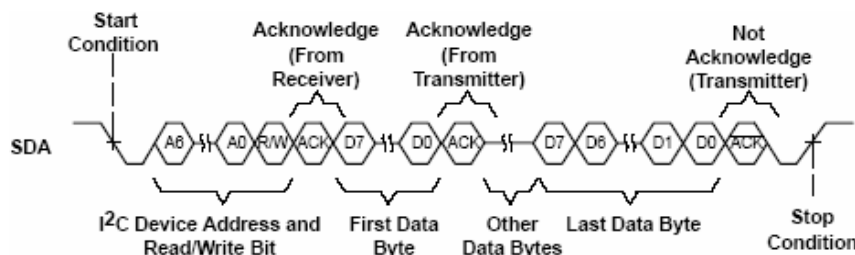


Figure 31. Multiple Byte Read Transfer

7.5.3 Slave Address

Both SDA and SCL must be connected to a positive supply voltage via a pull-up resistor. These resistors should comply with the I²C specification that ranges from 2kΩ to 19kΩ. When the bus is free, both lines are high. The address byte is the first byte received following the START condition from the master device. The 7-bit address is factory preset to 1000000. Table 3 lists the calls that the SN75DP139 will respond to.

Table 3. SN75DP139 Slave Address

Fixed Address							Read/Write Bit
Bit 7 (MSB)	Bit 6	Bit 5	Bit 4	Bit 3	Bit 2	Bit 1	Bit 0 (R/W)
1	0	0	0	0	0	0	1

7.5.3.1 Sink Port Selection Register And Source Plug-In Status Register Description (Sub-Address)

The SN75DP139 operates using a multiple byte transfer protocol similar to Figure 31. The internal memory of the SN75DP139 contains the phrase “DP-HDMI ADAPTOR<EOT>” converted to ASCII characters. The internal memory address registers and the value of each can be found in Table 4.

During a read cycle, the SN75DP139 will send the data in its selected sub-address in a single transfer to the master device requesting the information. See the **Example – Reading from the SN75DP139** section of this document for the proper procedure on reading from the SN75DP139.

Table 4. SN75DP139 Sink Port And Source Plug-In Status Registers Selection

Address	0x00	0x01	0x02	0x03	0x04	0x05	0x06	0x07	0x08	0x09	0x0A	0x0B	0x0C	0x0D	0x0E	0x0F	0x10
Data	44	50	2D	48	44	4D	49	20	41	44	41	50	54	4F	52	04	FF

7.5.3.2 Example – Reading From The SN75DP139:

The read operation consists of several steps. The I²C master begins the communication with the transmission of the start sequence followed by the slave address of the SN75DP139 and logic address of 00h. The SN75DP139 will acknowledge its presence to the master and begin to transmit the contents of the memory registers. After each byte is transferred the SN75DP139 will wait for either an acknowledge (ACK) or a not-acknowledge (NACK) from the master. If an ACK is received the next byte of data will be transmitted. If a NACK is received the data transmission sequence is expected to end and the master should send the stop command.

The SN75DP139 will continue to send data as long as the master continues to acknowledge each byte transmission. If an ACK is received after the transmission of byte 0x0F the SN75DP139 will transmit byte 0x10 and continue to transmit byte 0x10 for all further ACK's until a NACK is received.

The SN75DP139 also supports an accelerated read mode where steps 1–6 can be skipped.

SN75DP139 Read Phase

Step 1	0
I ² C Start (Master)	S

Step 2	7	6	5	4	3	2	1	0
I ² C General Address Write (Master)	1	0	0	0	0	0	0	0

Step 3	9
I ² C Acknowledge (Slave)	A

Step 4	7	6	5	4	3	2	1	0
I ² C Logic Address (Master)	0	0	0	0	0	0	0	0

Step 5	9
I ² C Acknowledge (Slave)	A

Step 6	0
I ² C Stop (Master)	P

Step 7	0
I ² C Start (Master)	S

Step 8	7	6	5	4	3	2	1	0
I ² C General Address Read (Master)	1	0	0	0	0	0	0	1

Step 9	9
I ² C Acknowledge (Slave)	A

Step 10	7	6	5	4	3	2	1	0
I ² C Read Data (Slave)	Data	Data	Data	Data	Data	Data	Data	Data

Where Data is determined by the Logic values Contained in the Sink Port Register

Step 11	9
I ² C Not-Acknowledge (Master)	X

SN75DP139

SLLS977F – APRIL 2009 – REVISED JULY 2017

www.ti.com

Where X is an A (Acknowledge) or \bar{A} (Not-Acknowledge)

An \bar{A} causes the pointer to increment and step 10 is repeated.

An A causes the slave to stop transmitting and proceeds to step 12.

Step 12	0
I ² C Stop (Master)	P

8 Application and Implementation

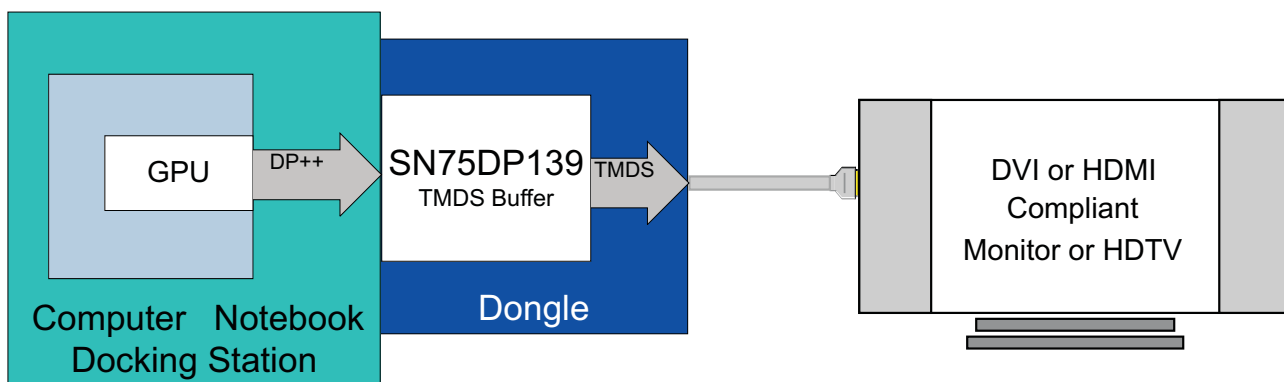
NOTE

Information in the following applications sections is not part of the TI component specification, and TI does not warrant its accuracy or completeness. TI's customers are responsible for determining suitability of components for their purposes. Customers should validate and test their design implementation to confirm system functionality.

8.1 Application Information

The typical application for the SN75DP139 is to translate from DP++ to TMDS, and thus expand the connectivity for any DP++ source to HDMI 1.4b and DVI sinks. This can be clearly explained when you have the SN75DP139 in a dongle connected to the DP++ source.

8.2 Typical Application



GPU - Graphics Processing Unit
 DP++ - Dual-Mode DisplayPort
 TMDs - Transition-Minimized Differential Signaling
 DVI - Digital Visual Interface

HDMI - High Definition Multimedia Interface

Figure 32. Typical Application

8.2.1 Design Requirements

DESIGN PARAMETERS	VALUE
VDD Main Power Supply	3.0 - 3.6 V
Main Link Peak-to-Peak AC Input Differential Voltage	0.15 - 1.2 V
TMDs Output Termination Voltage	3.0 - 3.6 V
TMDs Output Swing Voltage Bias Resistor	3.65 - 4.02 kΩ

8.2.2 Detailed Design Procedure

8.2.2.1 DVI Application

In DVI application case, it is recommended that between the SN75DP139 TMDs outputs (OUT_Dx) and a through hole DVI connector that a series resistor placeholder is incorporated. This could help in case if there are signal integrity issues as well as help pass system level compliance.

8.2.3 Application Curve

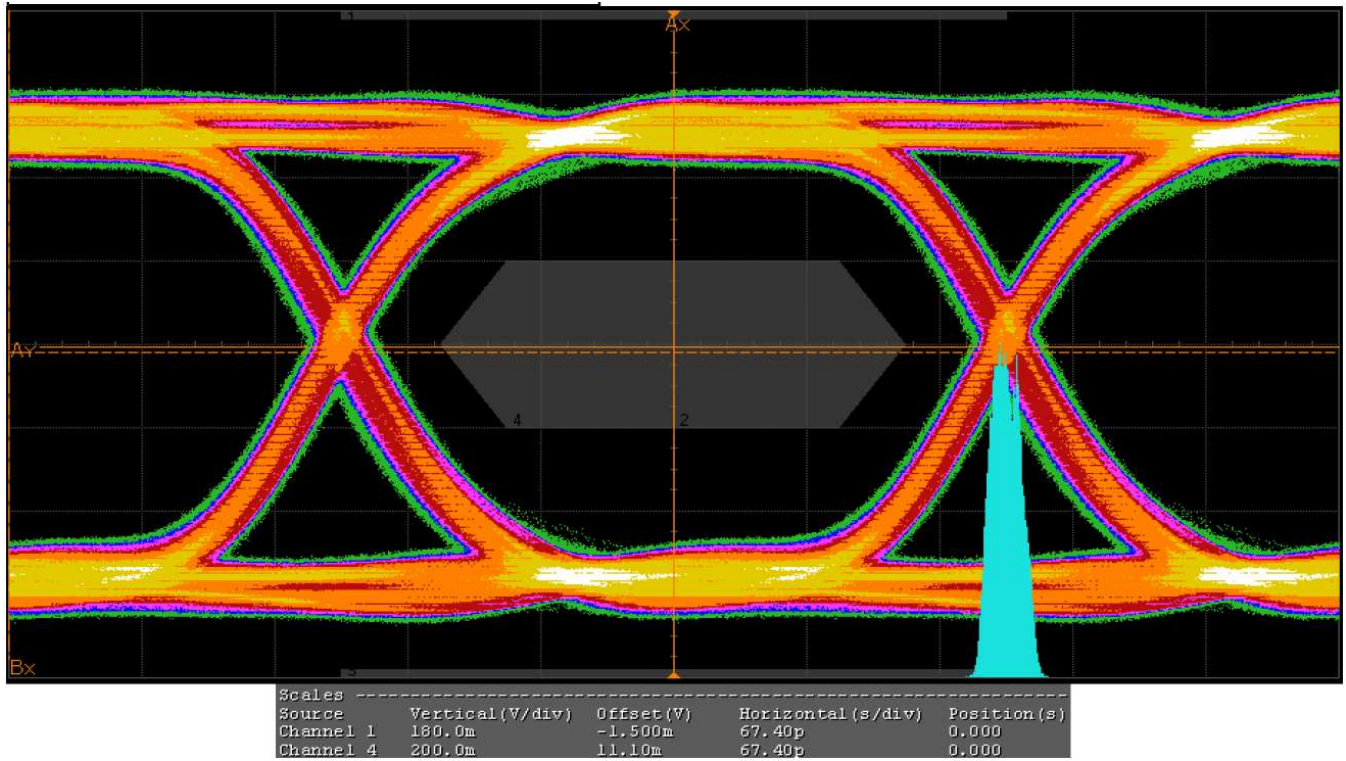


Figure 33. Data Jitter

9 Power Supply Recommendations

Use a VCC power rail able to supply 110 mA for the SN75DP139, Place four 1 uF, two 0.1 uF and two 0.01 uF capacitors under the SN75DP139 and close to the VCC pins, all connecter in parallel between VCC and GND.

10 Layout

10.1 Layout Guidelines

10.1.1 Layer Stack

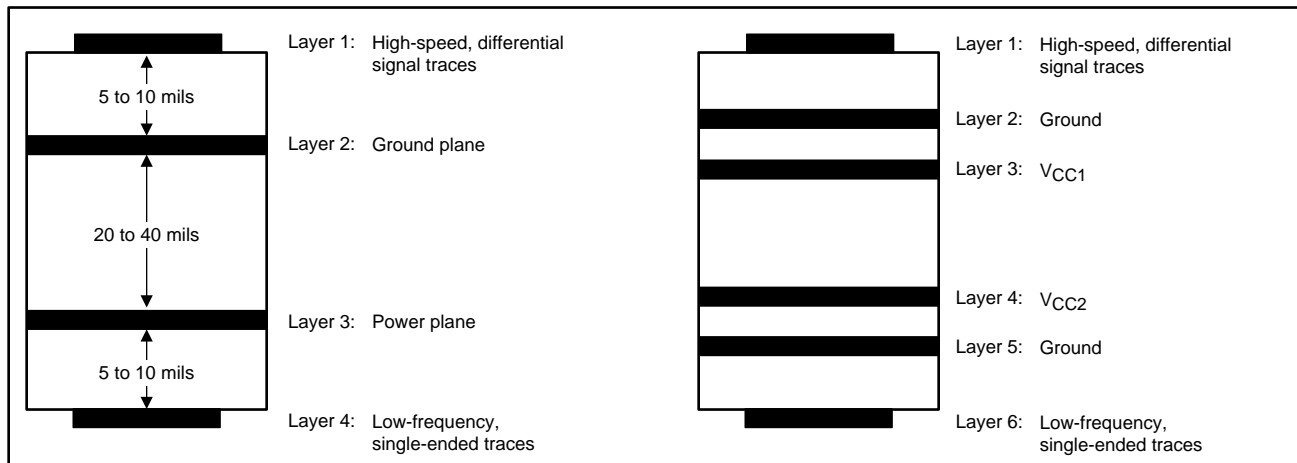


Figure 34. Recommended 4- or 6-Layer (0.062") Stack for a Receiver PCB Design

Routing the high-speed differential signal traces on the top layer avoids the use of vias (and the introduction of their inductances) and allows for clean interconnects from the DisplayPort connectors to the repeater inputs and from the repeater output to the subsequent receiver circuit.

Placing a solid ground plane next to the high-speed signal layer establishes controlled impedance for transmission line interconnects and provides an excellent low-inductance path for the return current flow.

Placing the power plane next to the ground plane creates additional high-frequency bypass capacitance.

Routing the fast-edged control signals on the bottom layer by prevents them from cross-talking into the high-speed signal traces and minimizes EMI.

If the receiver requires a supply voltage different from the one of the repeater, add a second power/ground plane system to the stack to keep it symmetrical. This makes the stack mechanically stable and prevents it from warping. Also, the power and ground plane of each power system can be placed closer together, thus increasing the high-frequency bypass capacitance significantly. Finally, a second power/ground system provides added isolation between the signal layers.

10.1.2 Differential Traces

Guidelines for routing PCB traces are necessary when trying to maintain signal integrity and lower EMI. Although there seems to be an endless number of precautions to be taken, this section provides only a few main recommendations as layout guidance.

1. Reduce intra-pair skew in a differential trace by introducing small meandering corrections at the point of mismatch.
2. Reduce inter-pair skew, caused by component placement and IC pinouts, by making larger meandering correction along the signal path. Use chamfered corners with a length-to-trace width ratio of between 3 and 5. The distance between bends should be 8 to 10 times the trace width.
3. Use 45 degree bends (chamfered corners), instead of right-angle (90°) bends. Right-angle bends increase the effective trace width, which changes the differential trace impedance creating large discontinuities. A 45o

Layout Guidelines (continued)

bends is seen as a smaller discontinuity.

4. When routing around an object, route both trace of a pair in parallel. Splitting the traces changes the line-to-line spacing, thus causing the differential impedance to change and discontinuities to occur.
5. Place passive components within the signal path, such as source-matching resistors or ac-coupling capacitors, next to each other. Routing as in case a) creates wider trace spacing than in b), the resulting discontinuity, however, is limited to a far narrower area.
6. When routing traces next to a via or between an array of vias, make sure that the via clearance section does not interrupt the path of the return current on the ground plane below.
7. Avoid metal layers and traces underneath or between the pads off the DisplayPort connectors for better impedance matching. Otherwise they will cause the differential impedance to drop below $75\ \Omega$ and fail the board during TDR testing.
8. Use the smallest size possible for signal trace vias and DisplayPort connector pads as they have less impact on the $100\ \Omega$ differential impedance. Large vias and pads can cause the impedance to drop below $85\ \Omega$.
9. Use solid power and ground planes for $100\ \Omega$ impedance control and minimum power noise.
10. For $100\ \Omega$ differential impedance, use the smallest trace spacing possible, which is usually specified by the PCB vendor.
11. Keep the trace length between the DisplayPort connector and the DisplayPort device as short as possible to minimize attenuation.
12. Use good DisplayPort connectors whose impedances meet the specifications.
13. Place bulk capacitors (for example, $10\ \mu\text{F}$) close to power sources, such as voltage regulators or where the power is supplied to the PCB.
14. Place smaller $0.1\ \mu\text{F}$ or $0.01\ \mu\text{F}$ capacitors at the device.

10.2 Layout Example

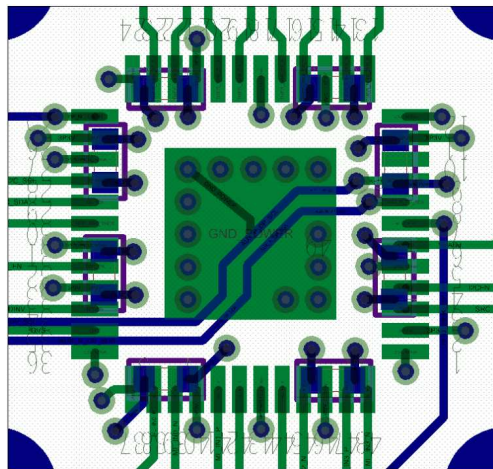


Figure 35. Footprint Example

Layout Example (continued)

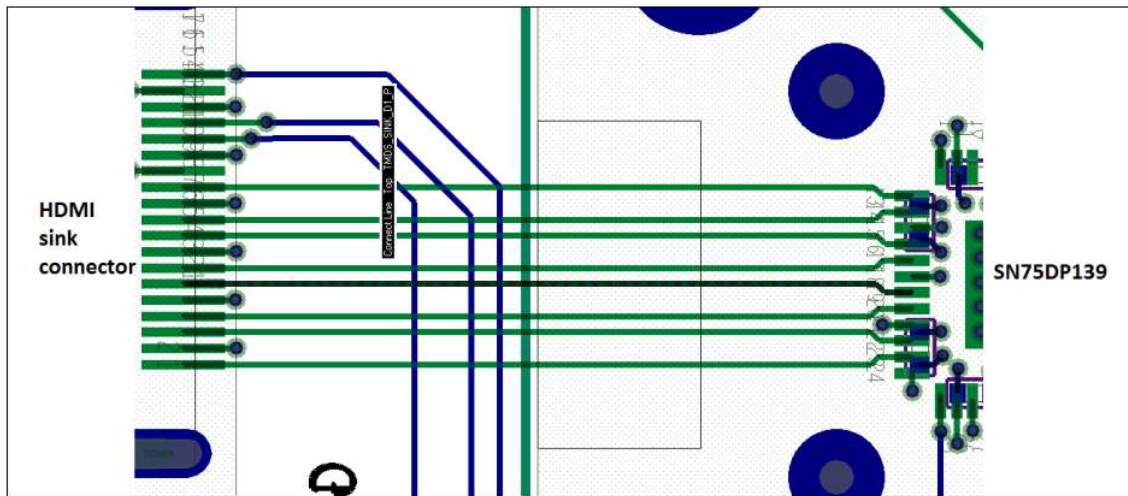


Figure 36. Sink Side Layout Example

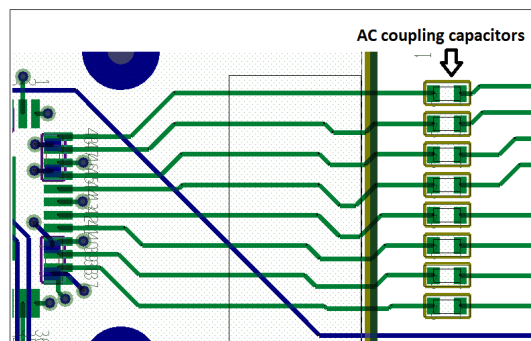


Figure 37. AC Capacitors Placement and Routing Example

11 Device and Documentation Support

11.1 Receiving Notification of Documentation Updates

To receive notification of documentation updates, navigate to the device product folder on ti.com. In the upper right corner, click on *Alert me* to register and receive a weekly digest of any product information that has changed. For change details, review the revision history included in any revised document.

11.2 Community Resources

The following links connect to TI community resources. Linked contents are provided "AS IS" by the respective contributors. They do not constitute TI specifications and do not necessarily reflect TI's views; see TI's [Terms of Use](#).

TI E2E™ Online Community *TI's Engineer-to-Engineer (E2E) Community*. Created to foster collaboration among engineers. At e2e.ti.com, you can ask questions, share knowledge, explore ideas and help solve problems with fellow engineers.

Design Support *TI's Design Support* Quickly find helpful E2E forums along with design support tools and contact information for technical support.

11.3 Trademarks

E2E is a trademark of Texas Instruments.
All other trademarks are the property of their respective owners.

11.4 Electrostatic Discharge Caution



These devices have limited built-in ESD protection. The leads should be shorted together or the device placed in conductive foam during storage or handling to prevent electrostatic damage to the MOS gates.

11.5 Glossary

[SLYZ022](#) — *TI Glossary*.

This glossary lists and explains terms, acronyms, and definitions.

12 Mechanical, Packaging, and Orderable Information

The following pages include mechanical, packaging, and orderable information. This information is the most current data available for the designated devices. This data is subject to change without notice and revision of this document. For browser-based versions of this data sheet, refer to the left-hand navigation.

PACKAGING INFORMATION

Orderable part number	Status (1)	Material type (2)	Package Pins	Package qty Carrier	RoHS (3)	Lead finish/ Ball material (4)	MSL rating/ Peak reflow (5)	Op temp (°C)	Part marking (6)
SN75DP139RGZR	Active	Production	VQFN (RGZ) 48	2500 LARGE T&R	Yes	NIPDAU	Level-3-260C-168 HR	0 to 85	DP139
SN75DP139RGZR.B	Active	Production	VQFN (RGZ) 48	2500 LARGE T&R	Yes	NIPDAU	Level-3-260C-168 HR	0 to 85	DP139
SN75DP139RGZT	Active	Production	VQFN (RGZ) 48	250 SMALL T&R	Yes	NIPDAU	Level-3-260C-168 HR	0 to 85	DP139
SN75DP139RGZT.B	Active	Production	VQFN (RGZ) 48	250 SMALL T&R	Yes	NIPDAU	Level-3-260C-168 HR	0 to 85	DP139
SN75DP139RGZTG4	Active	Production	VQFN (RGZ) 48	250 SMALL T&R	Yes	NIPDAU	Level-3-260C-168 HR	0 to 85	DP139
SN75DP139RGZTG4.B	Active	Production	VQFN (RGZ) 48	250 SMALL T&R	Yes	NIPDAU	Level-3-260C-168 HR	0 to 85	DP139
SN75DP139RSBR	Active	Production	WQFN (RSB) 40	3000 LARGE T&R	Yes	NIPDAU	Level-1-260C-UNLIM	0 to 85	DP139
SN75DP139RSBR.B	Active	Production	WQFN (RSB) 40	3000 LARGE T&R	Yes	NIPDAU	Level-1-260C-UNLIM	0 to 85	DP139
SN75DP139RSBT	Active	Production	WQFN (RSB) 40	250 SMALL T&R	Yes	NIPDAU	Level-1-260C-UNLIM	0 to 85	DP139
SN75DP139RSBT.B	Active	Production	WQFN (RSB) 40	250 SMALL T&R	Yes	NIPDAU	Level-1-260C-UNLIM	0 to 85	DP139

(1) **Status:** For more details on status, see our [product life cycle](#).

(2) **Material type:** When designated, preproduction parts are prototypes/experimental devices, and are not yet approved or released for full production. Testing and final process, including without limitation quality assurance, reliability performance testing, and/or process qualification, may not yet be complete, and this item is subject to further changes or possible discontinuation. If available for ordering, purchases will be subject to an additional waiver at checkout, and are intended for early internal evaluation purposes only. These items are sold without warranties of any kind.

(3) **RoHS values:** Yes, No, RoHS Exempt. See the [TI RoHS Statement](#) for additional information and value definition.

(4) **Lead finish/Ball material:** Parts may have multiple material finish options. Finish options are separated by a vertical ruled line. Lead finish/Ball material values may wrap to two lines if the finish value exceeds the maximum column width.

(5) **MSL rating/Peak reflow:** The moisture sensitivity level ratings and peak solder (reflow) temperatures. In the event that a part has multiple moisture sensitivity ratings, only the lowest level per JEDEC standards is shown. Refer to the shipping label for the actual reflow temperature that will be used to mount the part to the printed circuit board.

(6) **Part marking:** There may be an additional marking, which relates to the logo, the lot trace code information, or the environmental category of the part.

Multiple part markings will be inside parentheses. Only one part marking contained in parentheses and separated by a "~" will appear on a part. If a line is indented then it is a continuation of the previous line and the two combined represent the entire part marking for that device.

Important Information and Disclaimer:The information provided on this page represents TI's knowledge and belief as of the date that it is provided. TI bases its knowledge and belief on information provided by third parties, and makes no representation or warranty as to the accuracy of such information. Efforts are underway to better integrate information from third parties. TI has taken and continues to take reasonable steps to provide representative

and accurate information but may not have conducted destructive testing or chemical analysis on incoming materials and chemicals. TI and TI suppliers consider certain information to be proprietary, and thus CAS numbers and other limited information may not be available for release.

In no event shall TI's liability arising out of such information exceed the total purchase price of the TI part(s) at issue in this document sold by TI to Customer on an annual basis.

TAPE AND REEL INFORMATION

QUADRANT ASSIGNMENTS FOR PIN 1 ORIENTATION IN TAPE


*All dimensions are nominal

Device	Package Type	Package Drawing	Pins	SPQ	Reel Diameter (mm)	Reel Width W1 (mm)	A0 (mm)	B0 (mm)	K0 (mm)	P1 (mm)	W (mm)	Pin1 Quadrant
SN75DP139RGZR	VQFN	RGZ	48	2500	330.0	16.4	7.3	7.3	1.1	12.0	16.0	Q2
SN75DP139RGZT	VQFN	RGZ	48	250	180.0	16.4	7.3	7.3	1.1	12.0	16.0	Q2
SN75DP139RGZTG4	VQFN	RGZ	48	250	180.0	16.4	7.3	7.3	1.1	12.0	16.0	Q2
SN75DP139RSBR	WQFN	RSB	40	3000	330.0	12.4	5.3	5.3	1.1	8.0	12.0	Q2
SN75DP139RSBT	WQFN	RSB	40	250	180.0	12.4	5.3	5.3	1.1	8.0	12.0	Q2

TAPE AND REEL BOX DIMENSIONS


*All dimensions are nominal

Device	Package Type	Package Drawing	Pins	SPQ	Length (mm)	Width (mm)	Height (mm)
SN75DP139RGZR	VQFN	RGZ	48	2500	367.0	367.0	38.0
SN75DP139RGZT	VQFN	RGZ	48	250	210.0	185.0	35.0
SN75DP139RGZTG4	VQFN	RGZ	48	250	210.0	185.0	35.0
SN75DP139RSBR	WQFN	RSB	40	3000	346.0	346.0	33.0
SN75DP139RSBT	WQFN	RSB	40	250	182.0	182.0	20.0

GENERIC PACKAGE VIEW

RGZ 48

VQFN - 1 mm max height

7 x 7, 0.5 mm pitch

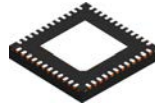
PLASTIC QUADFLAT PACK- NO LEAD



Images above are just a representation of the package family, actual package may vary.
Refer to the product data sheet for package details.

4224671/A

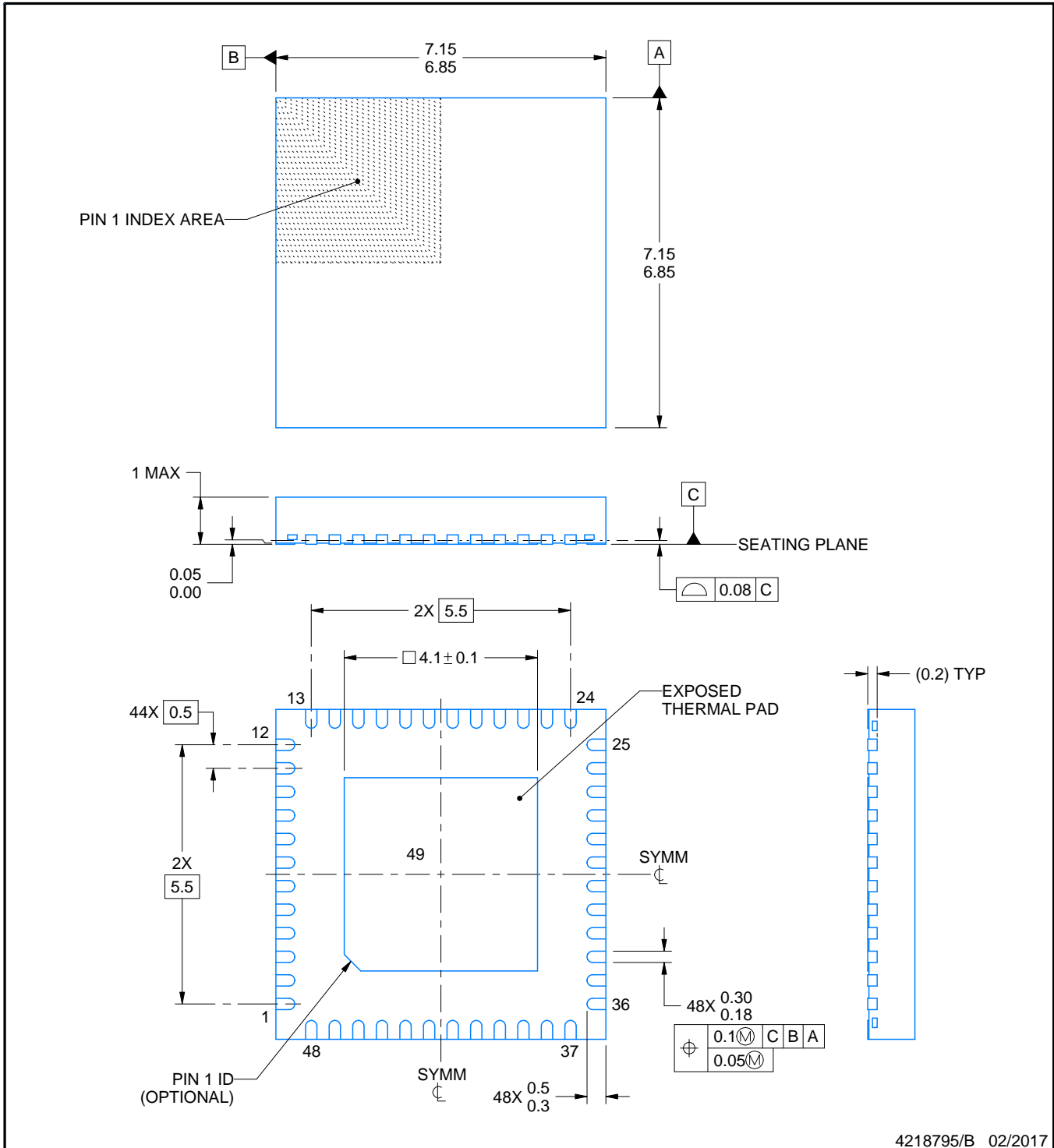
RGZ0048B



PACKAGE OUTLINE

VQFN - 1 mm max height

PLASTIC QUAD FLATPACK - NO LEAD



4218795/B 02/2017

NOTES:

1. All linear dimensions are in millimeters. Any dimensions in parenthesis are for reference only. Dimensioning and tolerancing per ASME Y14.5M.
2. This drawing is subject to change without notice.
3. The package thermal pad must be soldered to the printed circuit board for thermal and mechanical performance.

EXAMPLE BOARD LAYOUT

RGZ0048B

VQFN - 1 mm max height

PLASTIC QUAD FLATPACK - NO LEAD



LAND PATTERN EXAMPLE
EXPOSED METAL SHOWN
SCALE:12X



SOLDER MASK DETAILS

4218795/B 02/2017

NOTES: (continued)

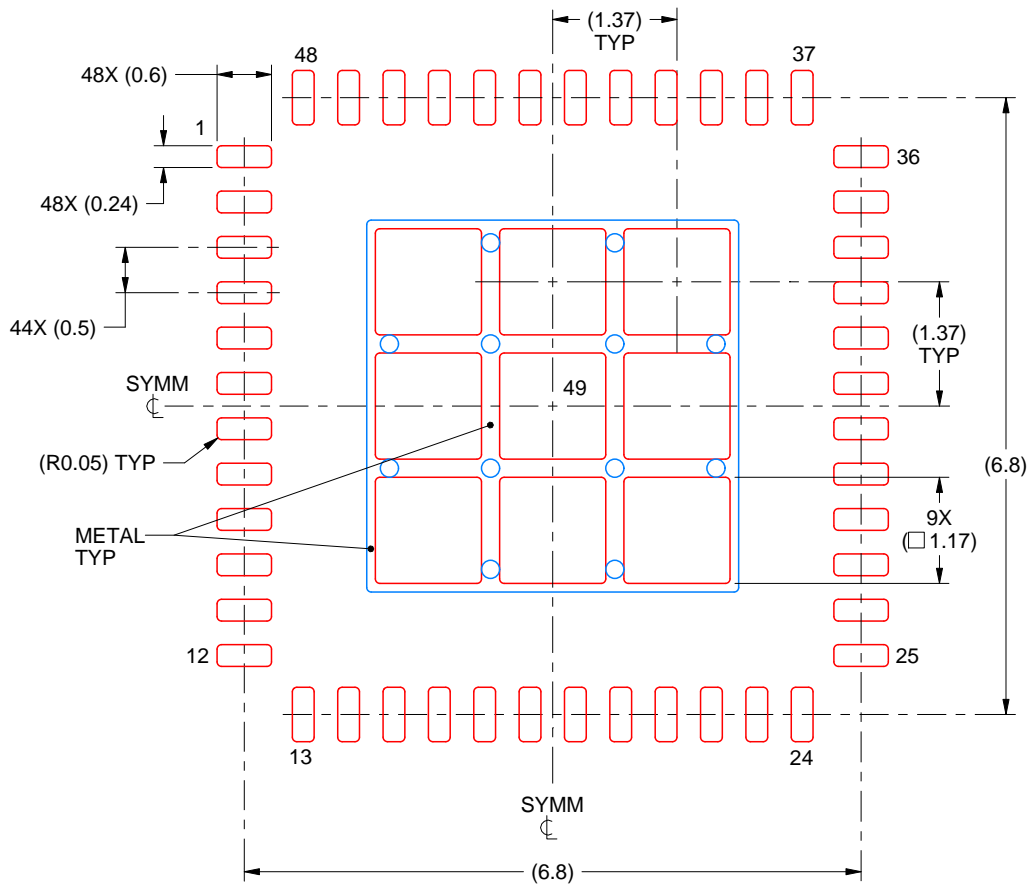
4. This package is designed to be soldered to a thermal pad on the board. For more information, see Texas Instruments literature number SLUA271 (www.ti.com/lit/sluea271).
5. Vias are optional depending on application, refer to device data sheet. If any vias are implemented, refer to their locations shown on this view. It is recommended that vias under paste be filled, plugged or tented.

EXAMPLE STENCIL DESIGN

RGZ0048B

VQFN - 1 mm max height

PLASTIC QUAD FLATPACK - NO LEAD



SOLDER PASTE EXAMPLE
 BASED ON 0.125 mm THICK STENCIL

EXPOSED PAD 49
 73% PRINTED SOLDER COVERAGE BY AREA UNDER PACKAGE
 SCALE:12X

4218795/B 02/2017

NOTES: (continued)

- 6. Laser cutting apertures with trapezoidal walls and rounded corners may offer better paste release. IPC-7525 may have alternate design recommendations.

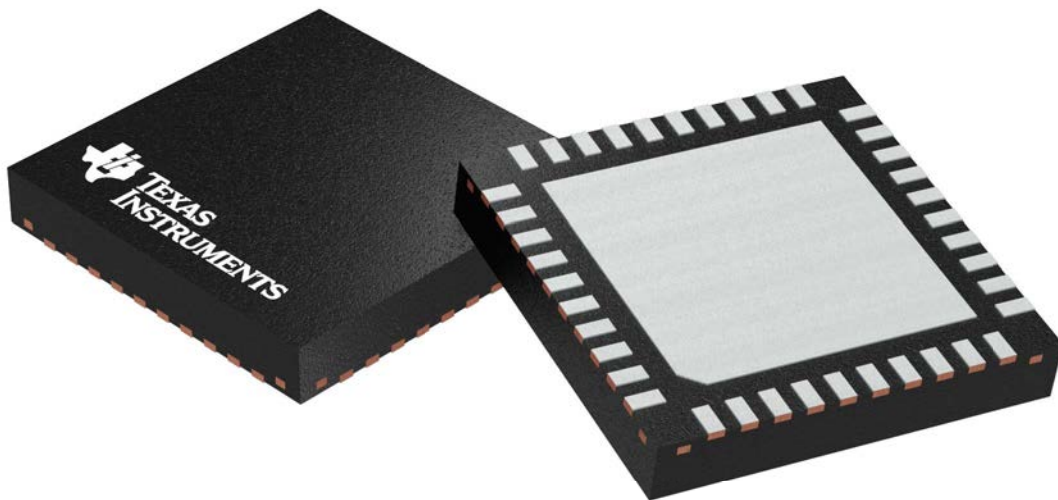
GENERIC PACKAGE VIEW

RSB 40

WQFN - 0.8 mm max height

5 x 5 mm, 0.4 mm pitch

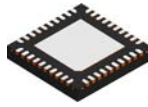
PLASTIC QUAD FLATPACK - NO LEAD



Images above are just a representation of the package family, actual package may vary.
Refer to the product data sheet for package details.

4207182/D

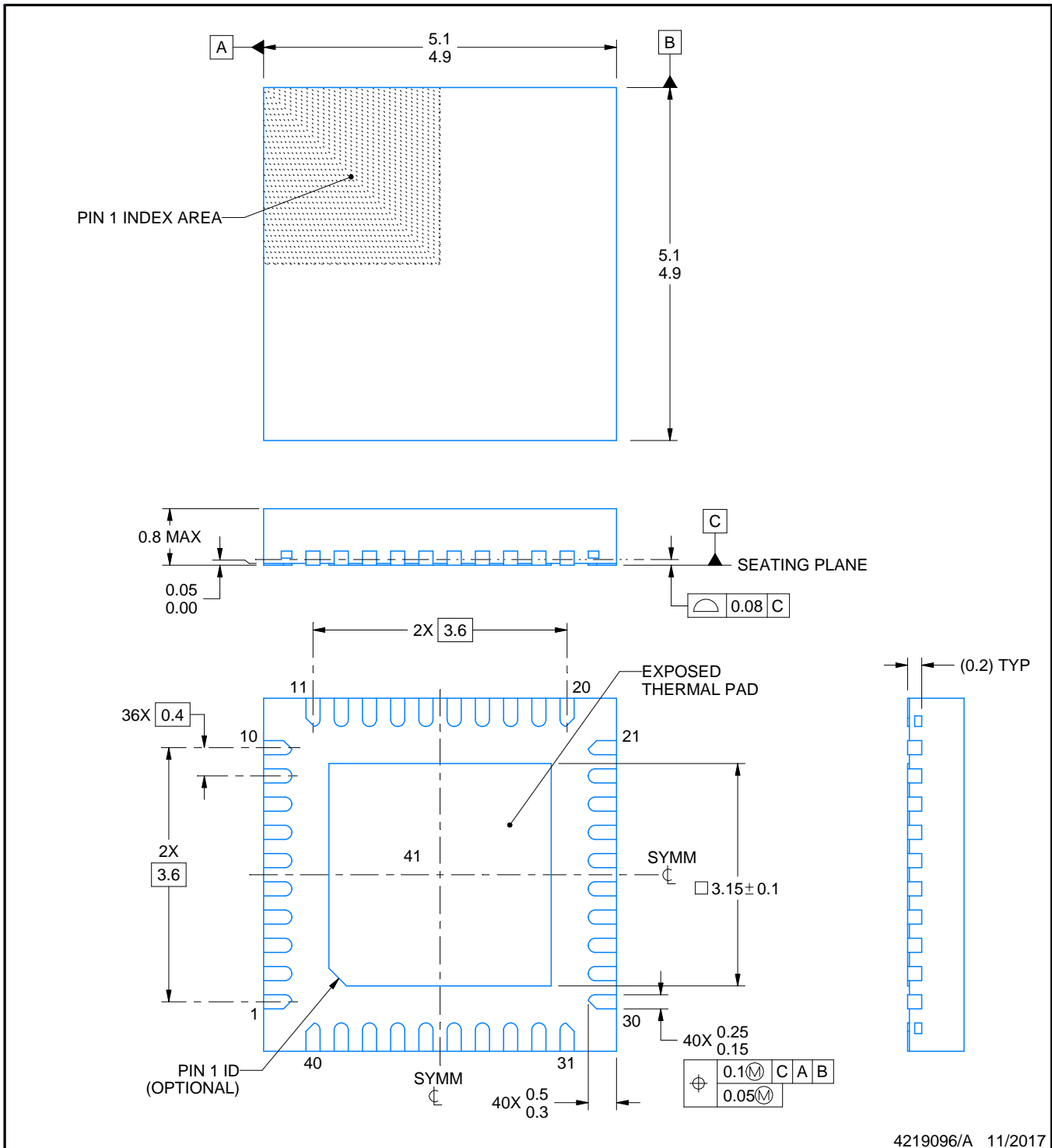
RSB0040E



PACKAGE OUTLINE

WQFN - 0.8 mm max height

PLASTIC QUAD FLATPACK - NO LEAD



4219096/A 11/2017

NOTES:

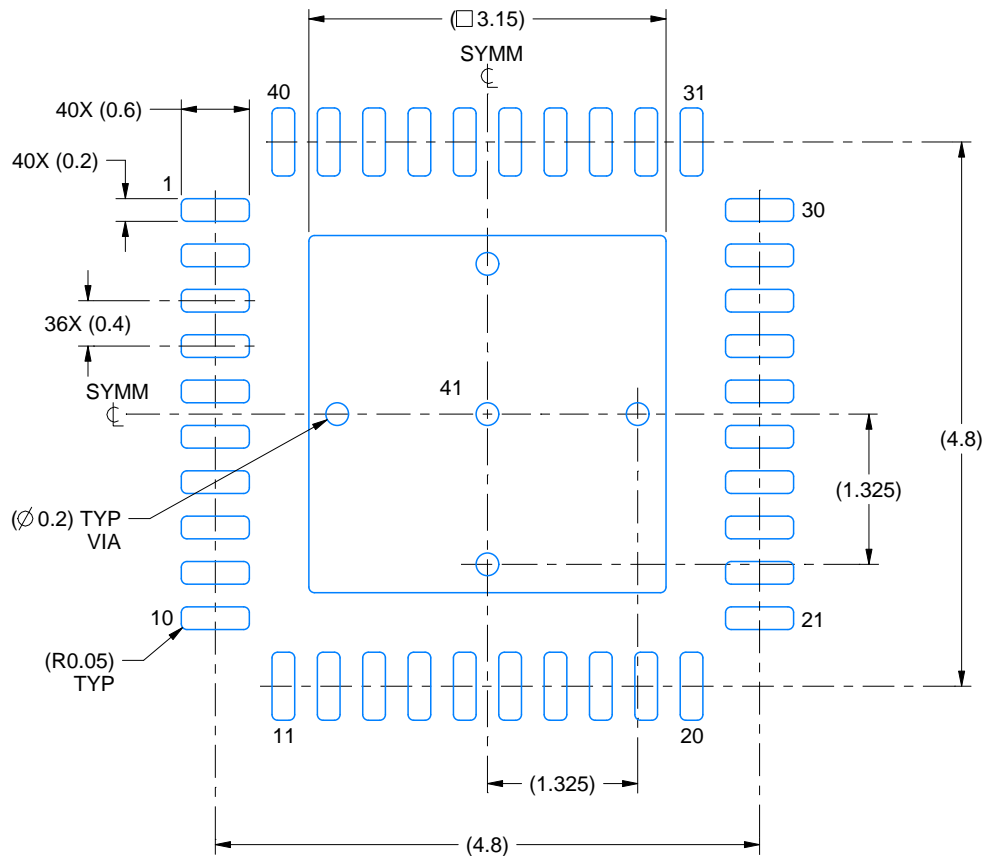
1. All linear dimensions are in millimeters. Any dimensions in parenthesis are for reference only. Dimensioning and tolerancing per ASME Y14.5M.
2. This drawing is subject to change without notice.
3. The package thermal pad must be soldered to the printed circuit board for thermal and mechanical performance.

EXAMPLE BOARD LAYOUT

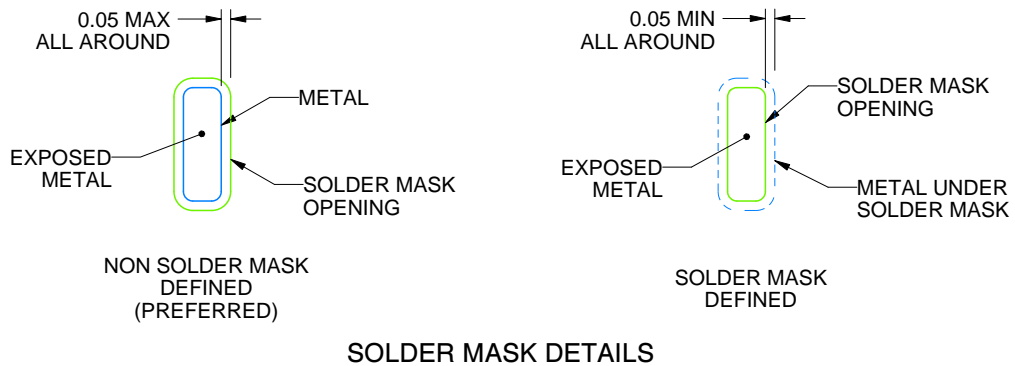
RSB0040E

WQFN - 0.8 mm max height

PLASTIC QUAD FLATPACK - NO LEAD



LAND PATTERN EXAMPLE
EXPOSED METAL SHOWN
SCALE:15X



SOLDER MASK DETAILS

4219096/A 11/2017

NOTES: (continued)

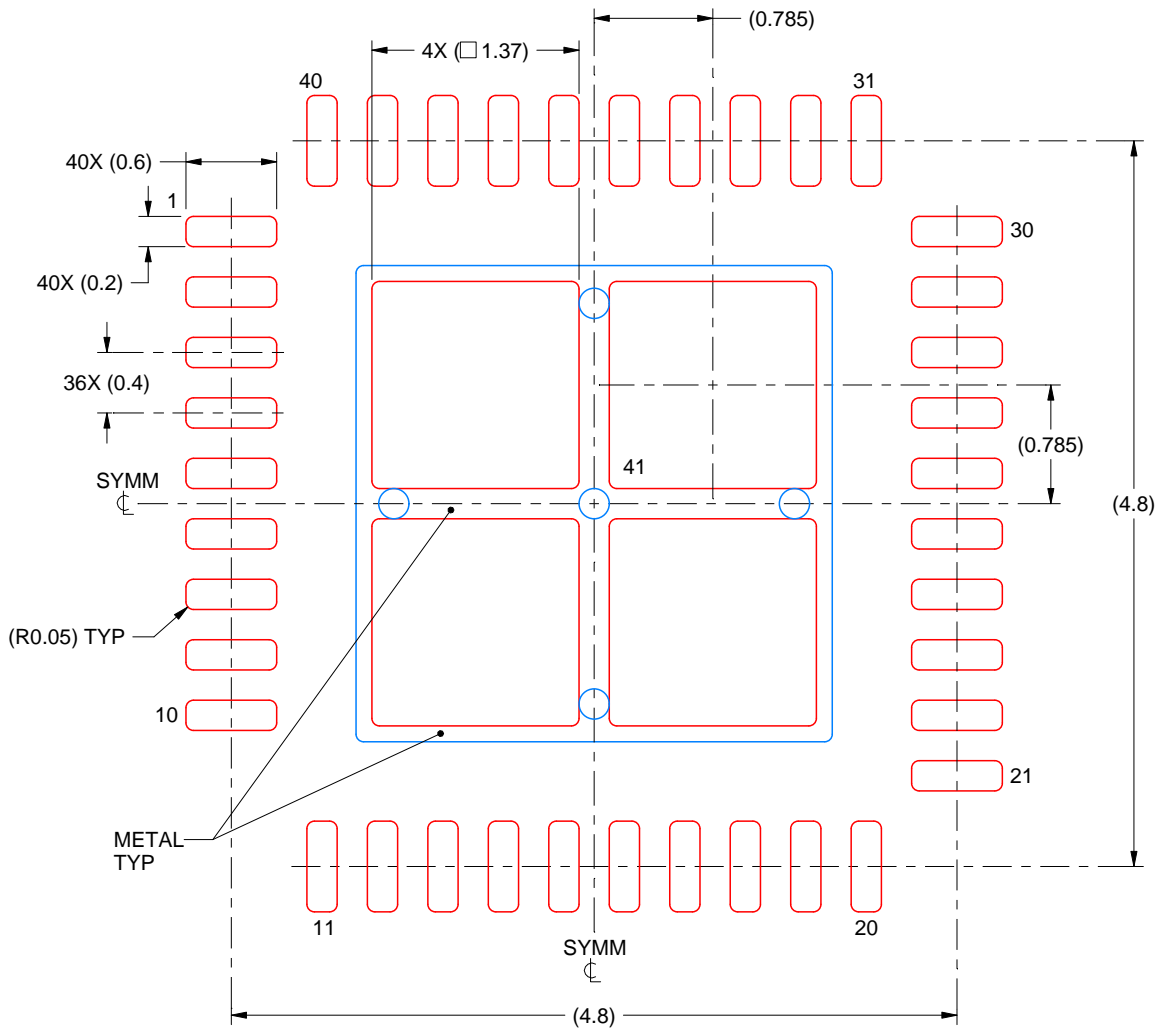
4. This package is designed to be soldered to a thermal pad on the board. For more information, see Texas Instruments literature number SLUA271 (www.ti.com/lit/sluea271).
5. Vias are optional depending on application, refer to device data sheet. If any vias are implemented, refer to their locations shown on this view. It is recommended that vias under paste be filled, plugged or tented.

EXAMPLE STENCIL DESIGN

RSB0040E

WQFN - 0.8 mm max height

PLASTIC QUAD FLATPACK - NO LEAD



SOLDER PASTE EXAMPLE
BASED ON 0.1 mm THICK STENCIL

EXPOSED PAD 41
75% PRINTED SOLDER COVERAGE BY AREA UNDER PACKAGE
SCALE:20X

4219096/A 11/2017

NOTES: (continued)

6. Laser cutting apertures with trapezoidal walls and rounded corners may offer better paste release. IPC-7525 may have alternate design recommendations.

IMPORTANT NOTICE AND DISCLAIMER

TI PROVIDES TECHNICAL AND RELIABILITY DATA (INCLUDING DATASHEETS), DESIGN RESOURCES (INCLUDING REFERENCE DESIGNS), APPLICATION OR OTHER DESIGN ADVICE, WEB TOOLS, SAFETY INFORMATION, AND OTHER RESOURCES "AS IS" AND WITH ALL FAULTS, AND DISCLAIMS ALL WARRANTIES, EXPRESS AND IMPLIED, INCLUDING WITHOUT LIMITATION ANY IMPLIED WARRANTIES OF MERCHANTABILITY, FITNESS FOR A PARTICULAR PURPOSE OR NON-INFRINGEMENT OF THIRD PARTY INTELLECTUAL PROPERTY RIGHTS.

These resources are intended for skilled developers designing with TI products. You are solely responsible for (1) selecting the appropriate TI products for your application, (2) designing, validating and testing your application, and (3) ensuring your application meets applicable standards, and any other safety, security, regulatory or other requirements.

These resources are subject to change without notice. TI grants you permission to use these resources only for development of an application that uses the TI products described in the resource. Other reproduction and display of these resources is prohibited. No license is granted to any other TI intellectual property right or to any third party intellectual property right. TI disclaims responsibility for, and you fully indemnify TI and its representatives against any claims, damages, costs, losses, and liabilities arising out of your use of these resources.

TI's products are provided subject to [TI's Terms of Sale](#), [TI's General Quality Guidelines](#), or other applicable terms available either on [ti.com](#) or provided in conjunction with such TI products. TI's provision of these resources does not expand or otherwise alter TI's applicable warranties or warranty disclaimers for TI products. Unless TI explicitly designates a product as custom or customer-specified, TI products are standard, catalog, general purpose devices.

TI objects to and rejects any additional or different terms you may propose.

Copyright © 2026, Texas Instruments Incorporated

Last updated 10/2025