

## THVD14xx 3.3-V to 5-V RS-485 Transceivers with $\pm 18$ -kV IEC ESD Protection

### 1 Features

- Meets or Exceeds the Requirements of the TIA/EIA-485A Standard
- 3 V to 5.5 V Supply Voltage
- Differential Output Exceeds 2.1 V for PROFIBUS Compatibility with 5-V Supply
- Bus I/O ESD Protection
  - $\pm 30$  kV HBM
  - $\pm 18$  kV IEC 61000-4-2 Contact Discharge
  - $\pm 25$  kV IEC 61000-4-2 Air-Gap Discharge
  - $\pm 4$  kV IEC 61000-4-4 Fast Transient Burst
- Extended Operational Common-mode Range:  $\pm 15$  V
- Low EMI 500 kbps and 50 Mbps Data Rates
- Large Receiver Hysteresis for Noise Rejection
- Low Power Consumption
  - Standby Supply Current:  $< 1 \mu\text{A}$
  - Current During Operation:  $< 3 \text{ mA}$
- Extended Ambient Temperature Range:  $-40^\circ\text{C}$  to  $125^\circ\text{C}$
- Glitch-Free Power-Up/Down for Hot Plug-in Capability
- Open, Short, and Idle Bus Failsafe
- 1/8 Unit Load (Up to 256 Bus Nodes)
- Small-Size VSON and VSSOP Packages Save Board Space or SOIC for Drop-in Compatibility

### 2 Applications

- Motor Drives
- Factory Automation & Control
- Grid Infrastructure
- Building Automation
- HVAC Systems
- Video Surveillance
- Process Analytics
- Wireless Infrastructure

### 3 Description

THVD14xx is a family of noise-immune RS-485/RS-422 transceivers designed to operate in rugged industrial environments. The bus pins of these devices are robust to high levels of IEC electrical fast transients (EFT) and IEC electrostatic discharge (ESD) events, eliminating the need for additional system level protection components.

Each of these devices operates from a single supply between 3 V and 5.5 V. The devices in this family feature an extended common-mode voltage range which makes them suitable for multi-point applications over long cable runs.

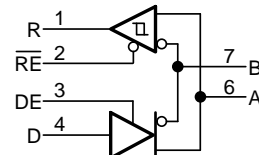
THVD14xx family of devices is available in small VSON and VSSOP packages for space constrained applications. These devices are characterized over ambient free-air temperatures from  $-40^\circ\text{C}$  to  $125^\circ\text{C}$ .

Device Information<sup>(1)</sup>

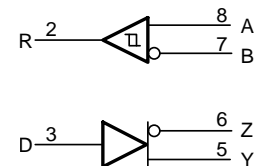
PART NUMBER	PACKAGE	BODY SIZE (NOM)
THVD1410	VSSOP (8)	3.00 mm x 3.00 mm
	SOIC (8)	4.90 mm x 3.91 mm
THVD1450	VSON (8)	3.00 mm x 3.00 mm
	VSSOP (8)	3.00 mm x 3.00 mm
	SOIC (8)	4.90 mm x 3.91 mm
THVD1451	VSON (8)	3.00 mm x 3.00 mm
	SOIC (8)	4.90 mm x 3.91 mm
THVD1452	VSSOP (10)	3.00 mm x 3.00 mm
	SOIC (14)	8.65 mm x 3.91 mm

(1) For all available packages, see the orderable addendum at the end of the data sheet.

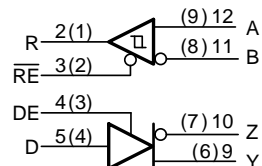
### THVD1410 and THVD1450 Simplified Schematic



### THVD1451 Simplified Schematic



### THVD1452 Simplified Schematic



## Table of Contents

<b>1 Features</b> .....	1	9.1 Overview .....	18
<b>2 Applications</b> .....	1	9.2 Functional Block Diagrams .....	18
<b>3 Description</b> .....	1	9.3 Feature Description .....	19
<b>4 Revision History</b> .....	2	9.4 Device Functional Modes .....	19
<b>5 Device Comparison Table</b> .....	4	<b>10 Application and Implementation</b> .....	22
<b>6 Pin Configuration and Functions</b> .....	5	10.1 Application Information .....	22
<b>7 Specifications</b> .....	8	10.2 Typical Application .....	22
7.1 Absolute Maximum Ratings .....	8	<b>11 Power Supply Recommendations</b> .....	28
7.2 ESD Ratings .....	8	<b>12 Layout</b> .....	29
7.3 ESD Ratings [IEC] .....	8	12.1 Layout Guidelines .....	29
7.4 Recommended Operating Conditions .....	9	12.2 Layout Example .....	29
7.5 Thermal Information .....	9	<b>13 Device and Documentation Support</b> .....	30
7.6 Power Dissipation .....	9	13.1 Device Support .....	30
7.7 Electrical Characteristics .....	10	13.2 Third-Party Products Disclaimer .....	30
7.8 Switching Characteristics .....	11	13.3 Related Links .....	30
7.9 Typical Characteristics: All Devices .....	12	13.4 Receiving Notification of Documentation Updates .....	30
7.10 Typical Characteristics: THD1450, THVD1451 and THVD1452 .....	14	13.5 Community Resources .....	30
7.11 Typical Characteristics: THVD1410 .....	15	13.6 Trademarks .....	30
<b>8 Parameter Measurement Information</b> .....	16	13.7 Electrostatic Discharge Caution .....	30
<b>9 Detailed Description</b> .....	18	13.8 Glossary .....	30
		<b>14 Mechanical, Packaging, and Orderable Information</b> .....	31

## 4 Revision History

Changes from Revision D (March 2019) to Revision E	Page
• Changed THVD1451 From: <i>Product Preview</i> To: <i>Production data</i> .....	1

Changes from Revision C (February 2019) to Revision D	Page
• Changed THVD1410 From: <i>Product Preview</i> To: <i>Production data</i> .....	1

Changes from Revision B (December 2018) to Revision C	Page
• Changed THVD1452 From: <i>Product Preview</i> To: <i>Production data</i> .....	1

Changes from Revision A (May 2018) to Revision B	Page
• Added <i>Feature</i> : "Differential Output Exceeds 2.1 V..." .....	1
• Changed <i>Feature</i> : $\pm 18$ kV IEC 61000-4-2 Air-Gap Discharge To: $\pm 25$ kV IEC 61000-4-2 Air-Gap Discharge .....	1
• Added SOIC (8) package to THVD1451 .....	1
• Added Thermal Pad to the THVD1450 DRB package .....	5
• Added Thermal Pad to the THVD1451 DRB package .....	6
• Changed all pins HBM ESD rating from 4 kV to 8 kV .....	8
• Changed IEC ESD air-gap discharge rating from 18 kV to 25 kV .....	8
• Changed THVD1410 power dissipation numbers .....	9
• Changed THVD1410 driver $t_r$ , $t_f$ TYP from 400 ns to 460 ns and MAX from 600 ns to 680 ns .....	11
• Changed THVD1410 receiver $t_r$ , $t_f$ TYP from 13 ns to 10 ns .....	11
• Changed THVD1410 receiver $t_{PHL}$ , $t_{PLH}$ TYP from 60 ns to 35 ns .....	11
• Added Typical Characteristics, THD1450D .....	14

---

• Added condition to <a href="#">Figure 8</a> to <a href="#">Figure 3</a> .....	14
• Added Typical Characteristics, THD1410.....	15
• Changed A to A/Y and B to B/Z in <a href="#">Figure 20</a> to <a href="#">Figure 24</a> .....	16
• Added 3rd paragraph to the <i>Overview</i> section.....	18

---

<b>Changes from Original (November 2017) to Revision A</b>	<b>Page</b>
--	-------------

---

• Changed the document status From: <i>Advanced Information</i> To: <i>Production Mix</i> data .....	1
--	---

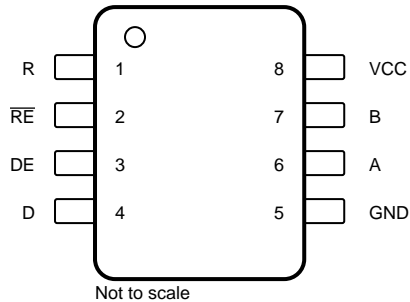
---

## 5 Device Comparison Table

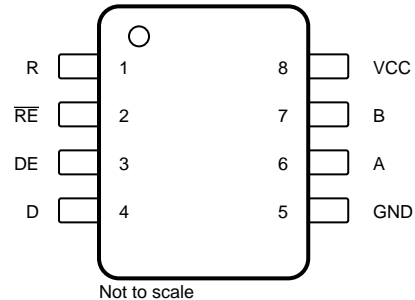
PART NUMBER	DUPLEX	ENABLES	SIGNALING RATE	NODES
THVD1410	Half	DE, $\overline{RE}$	up to 500 kbps	256
THVD1450	Half	DE, $\overline{RE}$	up to 50 Mbps	
THVD1451	Full	None		
THVD1452	Full	DE, $\overline{RE}$		

## 6 Pin Configuration and Functions

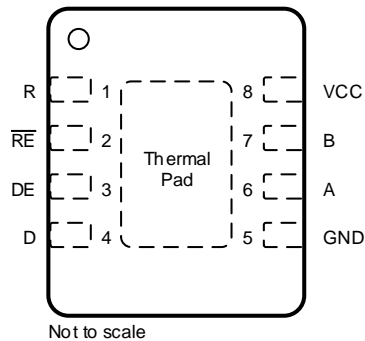
**THVD1410, THVD1450 Devices  
8-Pin D Package (SOIC)  
Top View**



**THVD1410, THVD1450 Devices  
8-Pin DGK Package (VSSOP)  
Top View**

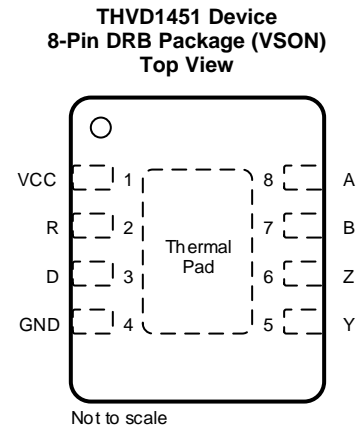
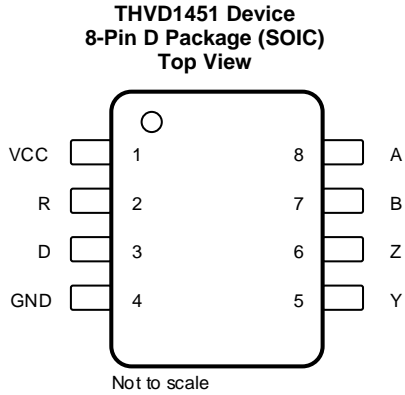


**THVD1450 Device  
8-Pin DRB Package (VSON)  
Top View**



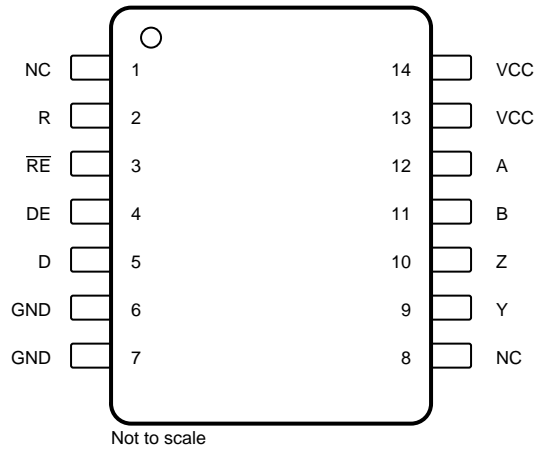
### Pin Functions

NAME	PIN			I/O	DESCRIPTION
	D	DGK	DRB		
A	6	6	6	Bus input/output	Bus I/O port, A (complementary to B)
B	7	7	7	Bus input/output	Bus I/O port, B (complementary to A)
D	4	4	4	Digital input	Driver data input
DE	3	3	3	Digital input	Driver enable, active high (2-M $\Omega$ internal pull-down)
GND	5	5	5	Ground	Device ground
R	1	1	1	Digital output	Receive data output
V <sub>CC</sub>	8	8	8	Power	3.3-V to 5-V supply
RE	2	2	2	Digital input	Receiver enable, active low (2-M $\Omega$ internal pull-up)
Thermal Pad	—	—		I/O	No electrical connection. Should be connected to GND for optimal thermal performance.

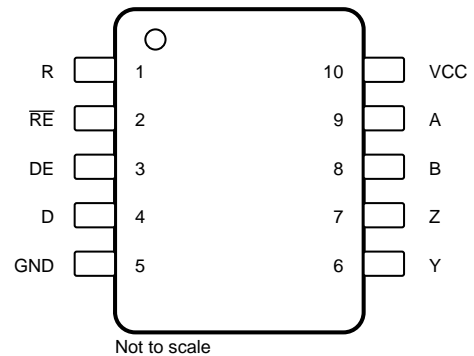


### Pin Functions

NAME	PIN		I/O	Description
	D	DRB		
A	8	8	Bus input	Bus input, A (complementary to B)
B	7	7	Bus input	Bus input, B (complementary to A)
D	3	3	Digital input	Driver data input
GND	4	4	Ground	Device ground
R	2	2	Digital output	Receive data output
V <sub>CC</sub>	1	1	Power	3.3-V to 5-V supply
Y	5	5	Bus output	Digital bus output, Y (Complementary to Z)
Z	6	6	Bus output	Digital bus output, Z (Complementary to Y)
Thermal Pad	—		I/O	No electrical connection. Should be connected to GND for optimal thermal performance.

**THVD1452 Device  
14-Pin D Package (SOIC)  
Top View**


NC – No internal connection

**THVD1452 Device  
10-Pin DGS Package (VSSOP)  
Top View**


### Pin Functions

NAME	PIN		I/O	DESCRIPTION
	D	DGS		
A	12	9	Bus input	Bus input, A (complementary to B)
B	11	8	Bus input	Bus input, B (complementary to A)
D	5	4	Digital input	Driver data input
DE	4	3	Digital input	Driver enable, active high (2-M $\Omega$ internal pull-down)
GND	6, 7 <sup>(1)</sup>	5	Ground	Device ground
NC	1, 8	—	—	Internally not connected
R	2	1	Digital output	Receive data output
V <sub>CC</sub>	13, 14 <sup>(1)</sup>	10	Power	3.3-V to 5-V supply
Y	9	6	Bus output	Digital bus output, Y (Complementary to Z)
Z	10	7	Bus output	Digital bus output, Z (Complementary to Y)
$\overline{\text{RE}}$	3	2	Digital input	Receiver enable, active low (2-M $\Omega$ internal pull-up)

(1) These pins are internally connected

## 7 Specifications

### 7.1 Absolute Maximum Ratings

over operating free-air temperature range (unless otherwise noted)<sup>(1)</sup>

		MIN	MAX	UNIT
Supply voltage	$V_{CC}$	-0.5	7	V
Bus voltage	Range at any bus pin (A, B, Y, or Z) as differential or common-mode with respect to GND	-18	18	V
Input voltage	Range at any logic pin (D, DE, or $\overline{RE}$ )	-0.3	5.7	V
Receiver output current	$I_O$	-24	24	mA
Storage temperature range		-65	150	°C

(1) Stresses beyond those listed under Absolute Maximum Ratings may cause permanent damage to the device. These are stress ratings only, which do not imply functional operation of the device at these or any other conditions beyond those indicated under Recommended Operating Conditions. Exposure to absolute-maximum-rated conditions for extended periods may affect device reliability.

### 7.2 ESD Ratings

			VALUE	UNIT	
$V_{(ESD)}$	Electrostatic discharge	Human body model (HBM), per ANSI/ESDA/JEDEC JS-001 <sup>(1)</sup>	Bus pins and GND	±30	kV
			All other pins	±8	kV
		Charged device model (CDM), per JEDEC JESD22-C101 <sup>(2)</sup>	All pins	±1.5	kV
		Machine model (MM), per JEDEC JESD22-A115-A	All pins	±200	V

(1) JEDEC document JEP155 states that 500-V HBM allows safe manufacturing with a standard ESD control process.

(2) JEDEC document JEP157 states that 250-V CDM allows safe manufacturing with a standard ESD control process.

### 7.3 ESD Ratings [IEC]

			VALUE	UNIT	
$V_{(ESD)}$	Electrostatic discharge	Contact discharge, per IEC 61000-4-2	Bus pins and GND	±18	kV
		Air-gap discharge, per IEC 61000-4-2	Bus pins and GND	±25	kV
$V_{(EFT)}$	Electrical fast transient	Per IEC 61000-4-4	Bus pins and GND	±4	kV

## 7.4 Recommended Operating Conditions

over operating free-air temperature range (unless otherwise noted)

		MIN	NOM	MAX	UNIT
V <sub>CC</sub>	Supply voltage	3		5.5	V
V <sub>I</sub>	Input voltage at any bus terminal <sup>(1)</sup>	-15		15	V
V <sub>IH</sub>	High-level input voltage (driver, driver enable, and receiver enable inputs)	2		V <sub>CC</sub>	V
V <sub>IL</sub>	Low-level input voltage (driver, driver enable, and receiver enable inputs)	0		0.8	V
V <sub>ID</sub>	Differential input voltage	-15		15	V
I <sub>O</sub>	Output current, driver	-60		60	mA
I <sub>OR</sub>	Output current, receiver	-8		8	mA
R <sub>L</sub>	Differential load resistance	54			Ω
1/t <sub>UI</sub>	Signaling rate: THVD1410			500	kbps
1/t <sub>UI</sub>	Signaling rate: THVD1450, THVD1451, THVD1452			50	Mbps
T <sub>A</sub>	Operating ambient temperature	-40		125	°C
T <sub>J</sub>	Junction temperature	-40		150	°C

(1) The algebraic convention, in which the least positive (most negative) limit is designated as minimum is used in this data sheet.

## 7.5 Thermal Information

THERMAL METRIC <sup>(1)</sup>		THVD1410 THVD1450 THVD1451	THVD1452	THVD1410 THVD1450	THVD1452	THVD1450 THVD1451	UNIT
		D (SOIC)	D (SOIC)	DGK (VSSOP)	DGS (VSSOP)	DRB (VSON)	
		8 PINS	14 PINS	8 PINS	10 PINS	8 PINS	
R <sub>θJA</sub>	Junction-to-ambient thermal resistance	114.3	86.4	155.2	155.6	48.6	°C/W
R <sub>θJC(to p)</sub>	Junction-to-case (top) thermal resistance	56.7	43.7	47.2	49.3	49.1	°C/W
R <sub>θJB</sub>	Junction-to-board thermal resistance	57.7	42.5	76.1	77.1	21.1	°C/W
Ψ <sub>JT</sub>	Junction-to-top characterization parameter	12.8	10.2	3.9	4.5	0.8	°C/W
Ψ <sub>JB</sub>	Junction-to-board characterization parameter	57	42.2	74.8	75.7	21.1	°C/W
R <sub>θJC(bot)</sub>	Junction-to-case (bottom) thermal resistance	N/A	N/A	N/A	N/A	2.7	°C/W

(1) For more information about traditional and new thermal metrics, see the [Semiconductor and IC Package Thermal Metrics](#) application report.

## 7.6 Power Dissipation

PARAMETER	Description	TEST CONDITIONS	MIN	TYP	MAX	UNIT
P <sub>D</sub>	Driver and receiver enabled, V <sub>CC</sub> = 5.5 V, T <sub>A</sub> = 125°C, 50% duty cycle square wave at 500kbps signaling rate, THVD1410	Unterminated: R <sub>L</sub> = 300 Ω, C <sub>L</sub> = 50 pF		360		mW
		RS-422 load: R <sub>L</sub> = 100 Ω, C <sub>L</sub> = 50 pF		370		mW
		RS-485 load: R <sub>L</sub> = 54 Ω, C <sub>L</sub> = 50 pF		410		mW
	Driver and receiver enabled, V <sub>CC</sub> = 5.5 V, T <sub>A</sub> = 125°C, 50% duty cycle square wave at 50Mbps signaling rate, THVD145x devices	Unterminated: R <sub>L</sub> = 300 Ω, C <sub>L</sub> = 50 pF		360		mW
		RS-422 load: R <sub>L</sub> = 100 Ω, C <sub>L</sub> = 50 pF		320		mW
		RS-485 load: R <sub>L</sub> = 54 Ω, C <sub>L</sub> = 50 pF		330		mW

## 7.7 Electrical Characteristics

over operating free-air temperature range (unless otherwise noted). All typical values are at 25°C and supply voltage of  $V_{CC} = 5\text{ V}$ .

PARAMETER		TEST CONDITIONS		MIN	TYP	MAX	UNIT
<b>Driver</b>							
$ V_{OD} $	Driver differential output voltage magnitude	$R_L = 60\ \Omega$ , $-15\text{ V} \leq V_{\text{test}} \leq 15\text{ V}$ (See Figure 20) <sup>(1)</sup>		1.5	3.5		V
		$R_L = 60\ \Omega$ , $-15\text{ V} \leq V_{\text{test}} \leq 15\text{ V}$ , $4.5\text{ V} \leq V_{CC} \leq 5.5\text{ V}$ , (See Figure 20)		2.1			V
		$R_L = 100\ \Omega$ (See Figure 21)		2	4		V
		$R_L = 54\ \Omega$ (See Figure 21)		1.5	3.5		V
$\Delta V_{OD} $	Change in differential output voltage			-200		200	mV
$V_{OC}$	Common-mode output voltage	$R_L = 54\ \Omega$ (See Figure 21)		1	$V_{CC}/2$	3	V
$\Delta V_{OC(SS)}$	Change in steady-state common-mode output voltage			-200		200	mV
$I_{OS}$	Short-circuit output current	$DE = V_{CC}$ , $-7\text{ V} \leq V_O \leq 12\text{ V}$		-250		250	mA
<b>Receiver</b>							
$I_I$	Bus input current	$DE = 0\text{ V}$ , $V_{CC} = 0\text{ V}$ or $5.5\text{ V}$	$V_I = 12\text{ V}$		50	125	$\mu\text{A}$
			$V_I = -7\text{ V}$	-100	-65		$\mu\text{A}$
		$DE = 0\text{ V}$ , $V_{CC} = 0\text{ V}$ or $5.5\text{ V}$	$V_I = 15\text{ V}$		60	125	$\mu\text{A}$
			$V_I = -15\text{ V}$	-200	-130		$\mu\text{A}$
$V_{TH+}$	Positive-going input threshold voltage			See <sup>(2)</sup>	-100	-20	mV
$V_{TH-}$	Negative-going input threshold voltage	Over common-mode range of $\pm 15\text{ V}$		-200	-130	See <sup>(2)</sup>	mV
$V_{HYS}$	Input hysteresis				30		mV
$V_{OH}$	Output high voltage	$I_{OH} = -8\text{ mA}$		$V_{CC} - 0.4$	$V_{CC} - 0.2$		V
$V_{OL}$	Output low voltage	$I_{OL} = 8\text{ mA}$			0.2	0.4	V
$I_{OZR}$	Output high-impedance current	$V_O = 0\text{ V}$ or $V_{CC}$ , $\overline{RE} = V_{CC}$		-1		1	$\mu\text{A}$
<b>Logic</b>							
$I_{IN}$	Input current (D, DE, $\overline{RE}$ )	$3\text{ V} \leq V_{CC} \leq 5.5\text{ V}$ , $0\text{ V} \leq V_{IN} \leq V_{CC}$		-6.2		6.2	$\mu\text{A}$
<b>Device</b>							
$I_{CC}$	Supply current (quiescent)	Driver and receiver enabled	$\overline{RE} = 0\text{ V}$ , $DE = V_{CC}$ , No load		2.4	3	mA
		Driver enabled, receiver disabled	$\overline{RE} = V_{CC}$ , $DE = V_{CC}$ , No load		2	2.5	mA
		Driver disabled, receiver enabled	$\overline{RE} = 0\text{ V}$ , $DE = 0\text{ V}$ , No load		700	960	$\mu\text{A}$
		Driver and receiver disabled	$\overline{RE} = V_{CC}$ , $DE = 0\text{ V}$ , D = open, No load		0.1	1	$\mu\text{A}$
$T_{SD}$	Thermal shutdown temperature				170		°C

(1)  $|V_{OD}| \geq 1.4\text{ V}$  when  $T_A > 85\text{ }^\circ\text{C}$ ,  $V_{\text{test}} < -7\text{ V}$  and  $V_{CC} < 3.135\text{ V}$ .

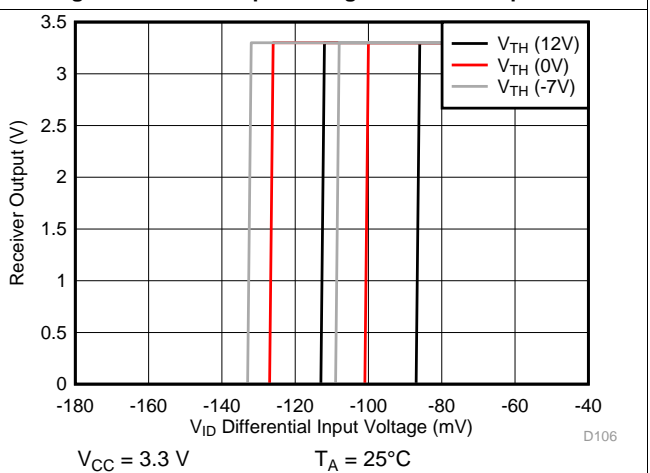
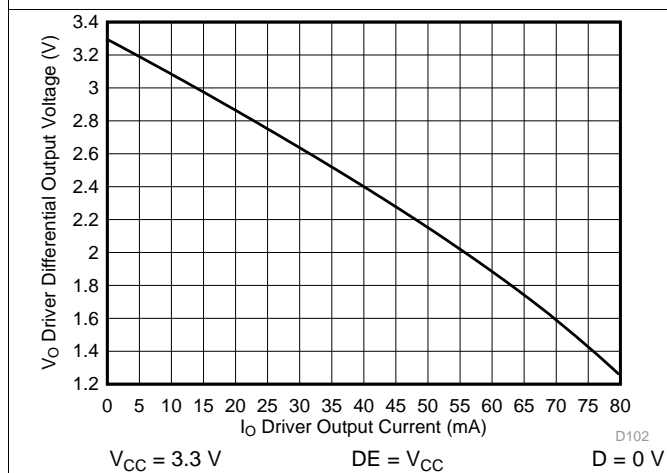
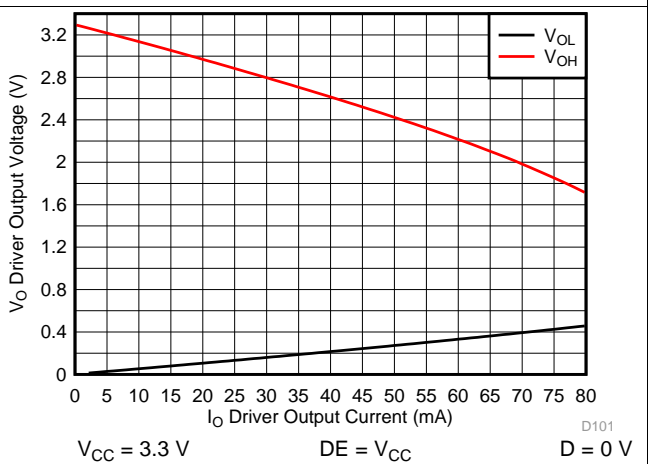
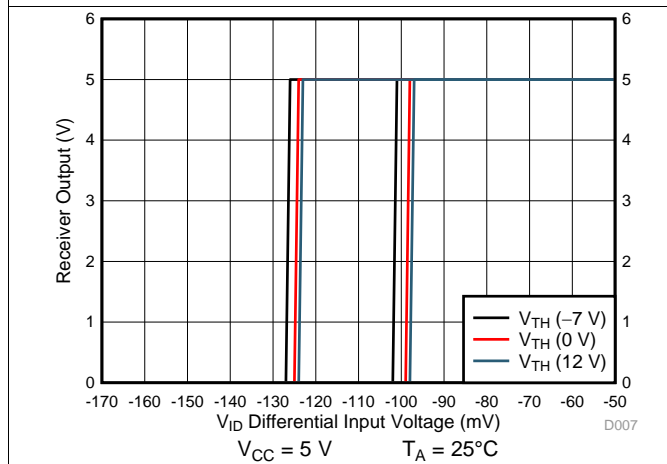
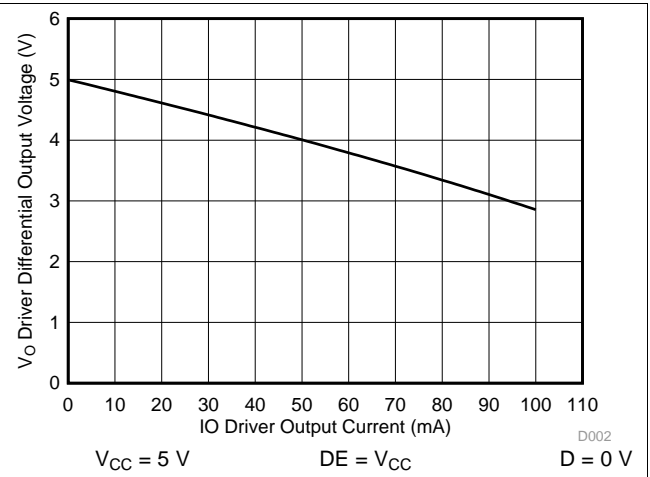
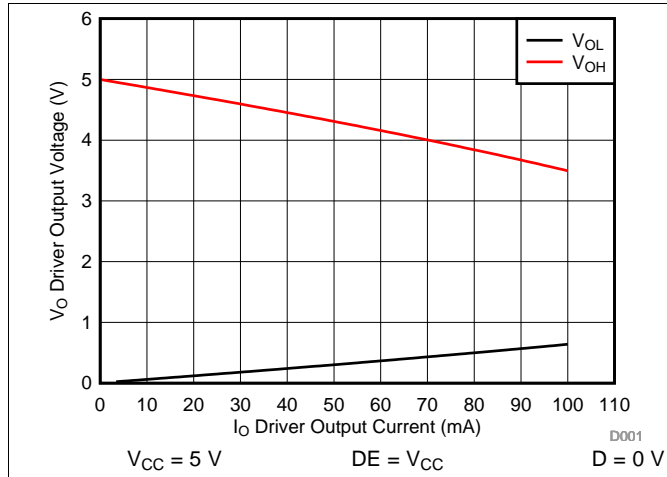
(2) Under any specific conditions,  $V_{TH+}$  is assured to be at least  $V_{HYS}$  higher than  $V_{TH-}$ .

## 7.8 Switching Characteristics

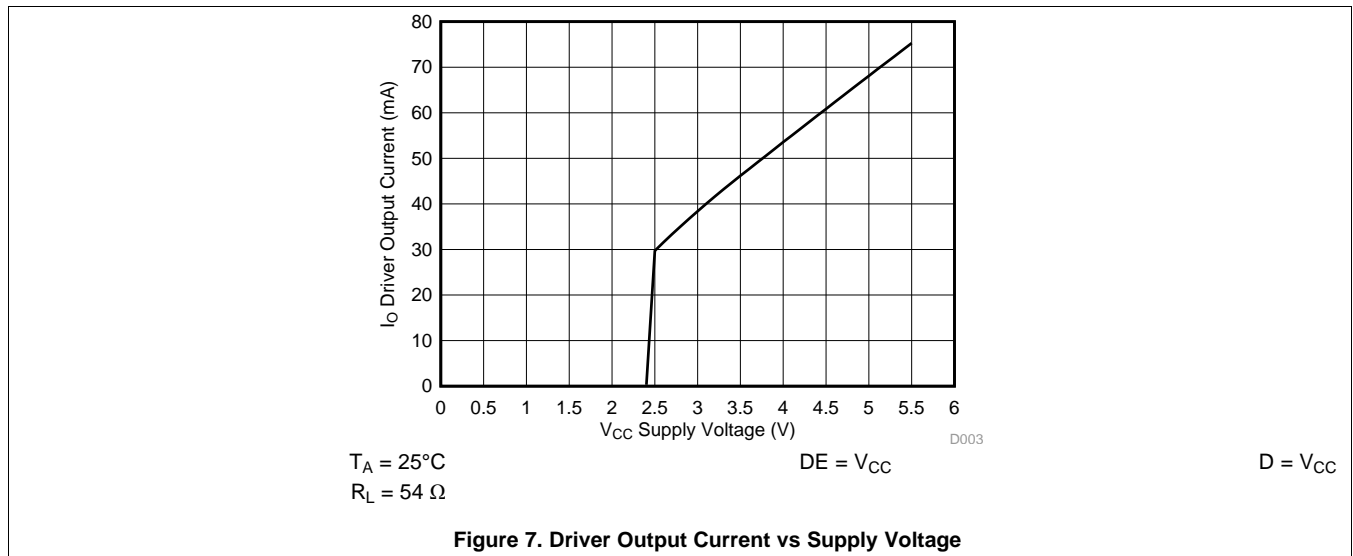
over operating free-air temperature range (unless otherwise noted). All typical values are at 25°C and supply voltage of  $V_{CC} = 5\text{ V}$ .

PARAMETER		TEST CONDITIONS	MIN	TYP	MAX	UNIT	
<b>Driver: THVD1410</b>							
$t_r, t_f$	Differential output rise/fall time	$R_L = 54\ \Omega, C_L = 50\ \text{pF}$ , See <a href="#">Figure 22</a>	250	460	680	ns	
$t_{PHL}, t_{PLH}$	Propagation delay			250	500	ns	
$t_{SK(P)}$	Pulse skew, $ t_{PHL} - t_{PLH} $				10	ns	
$t_{PHZ}, t_{PLZ}$	Disable time			80	200	ns	
$t_{PZH}, t_{PZL}$	Enable time	$\overline{RE} = 0\text{ V}$ , See <a href="#">Figure 23</a> and <a href="#">Figure 24</a>		100	600	ns	
		$\overline{RE} = V_{CC}$ , See <a href="#">Figure 23</a> and <a href="#">Figure 24</a>		4	11	$\mu\text{s}$	
<b>Receiver: THVD1410</b>							
$t_r, t_f$	Output rise/fall time	$C_L = 15\ \text{pF}$ , See <a href="#">Figure 25</a>		10	20	ns	
$t_{PHL}, t_{PLH}$	Propagation delay			35	110	ns	
$t_{SK(P)}$	Pulse skew, $ t_{PHL} - t_{PLH} $				7	ns	
$t_{PHZ}, t_{PLZ}$	Disable time			30	60	ns	
$t_{PZH(1)}, t_{PZL(1)}, t_{PZH(2)}, t_{PZL(2)}$	Enable time	$DE = V_{CC}$ , See <a href="#">Figure 26</a>		60	140	ns	
		$DE = 0\text{ V}$ , See <a href="#">Figure 27</a>		6	14	$\mu\text{s}$	
<b>Driver: THVD1450, THVD1451, THVD1452</b>							
$t_r, t_f$	Differential output rise/fall time	$R_L = 54\ \Omega, C_L = 50\ \text{pF}$ , See <a href="#">Figure 22</a>	1	3	6	ns	
$t_{PHL}, t_{PLH}$	Propagation delay			3	10	20	ns
$t_{SK(P)}$	Pulse skew, $ t_{PHL} - t_{PLH} $					3.5	ns
$t_{PHZ}, t_{PLZ}$	Disable time			15	25	ns	
$t_{PZH}, t_{PZL}$	Enable time	$\overline{RE} = 0\text{ V}$ , See <a href="#">Figure 23</a> and <a href="#">Figure 24</a>		20	50	ns	
		$\overline{RE} = V_{CC}$ , See <a href="#">Figure 23</a> and <a href="#">Figure 24</a>		2.5	10	$\mu\text{s}$	
<b>Receiver: THVD1450, THVD1451, THVD1452</b>							
$t_r, t_f$	Output rise/fall time	$C_L = 15\ \text{pF}$ , See <a href="#">Figure 25</a>		2	6	ns	
$t_{PHL}, t_{PLH}$	Propagation delay			25	40	ns	
$t_{SK(P)}$	Pulse skew, $ t_{PHL} - t_{PLH} $				3.5	ns	
$t_{PHZ}, t_{PLZ}$	Disable time			14	28	ns	
$t_{PZH(1)}, t_{PZL(1)}, t_{PZH(2)}, t_{PZL(2)}$	Enable time	$DE = V_{CC}$ , See <a href="#">Figure 26</a>		50	110	ns	
		$DE = 0\text{ V}$ , See <a href="#">Figure 27</a>		4	14	$\mu\text{s}$	

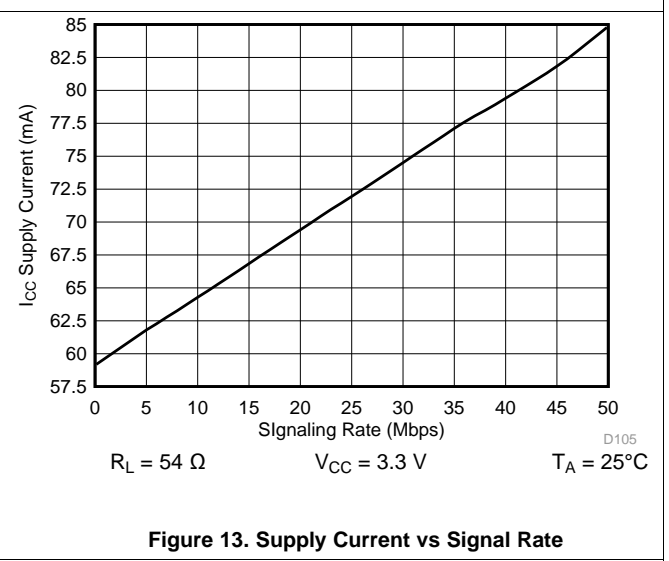
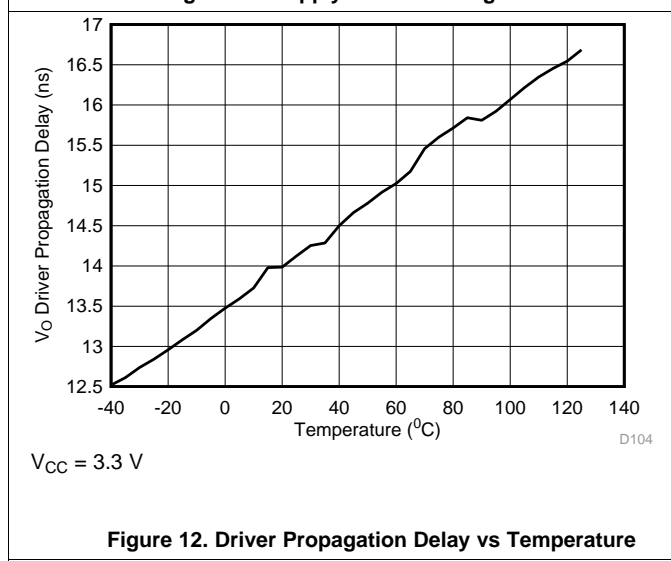
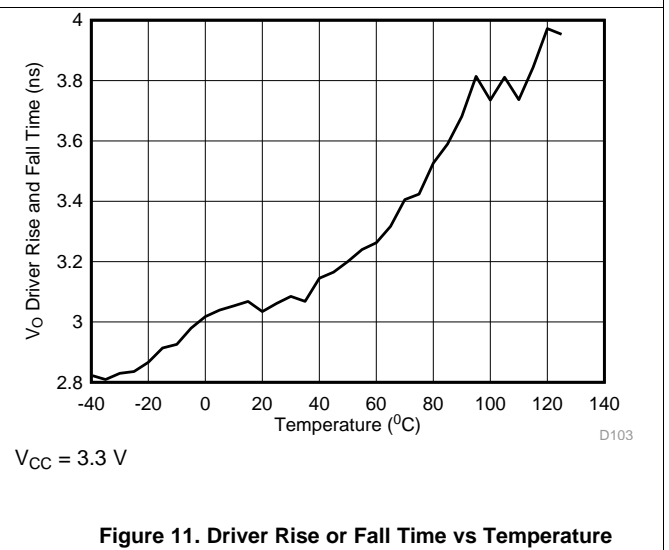
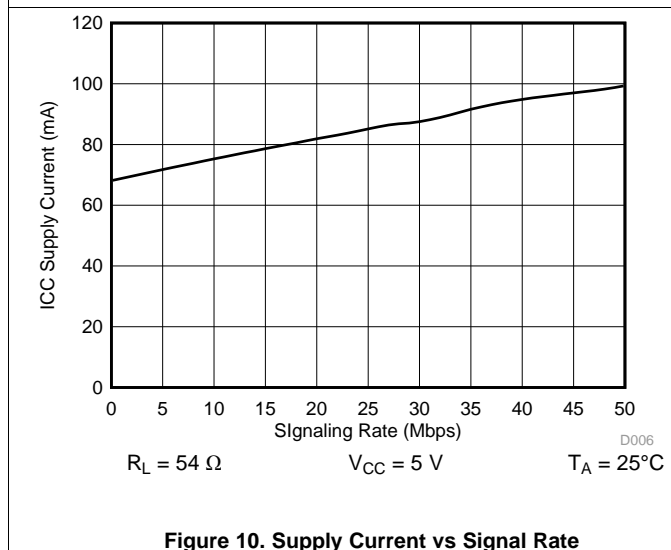
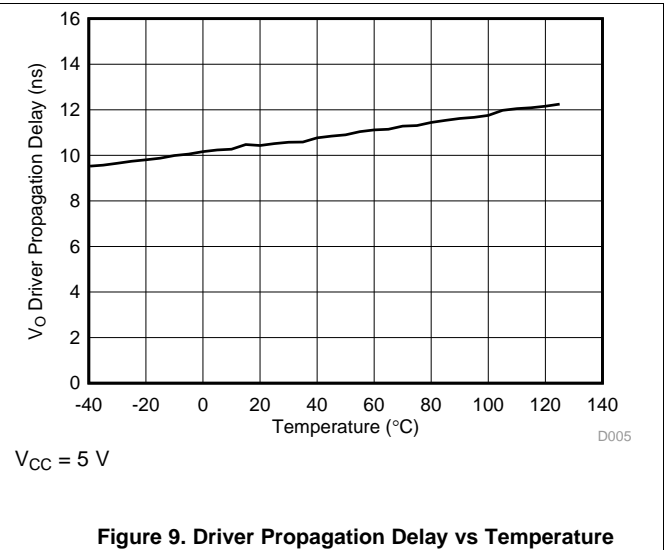
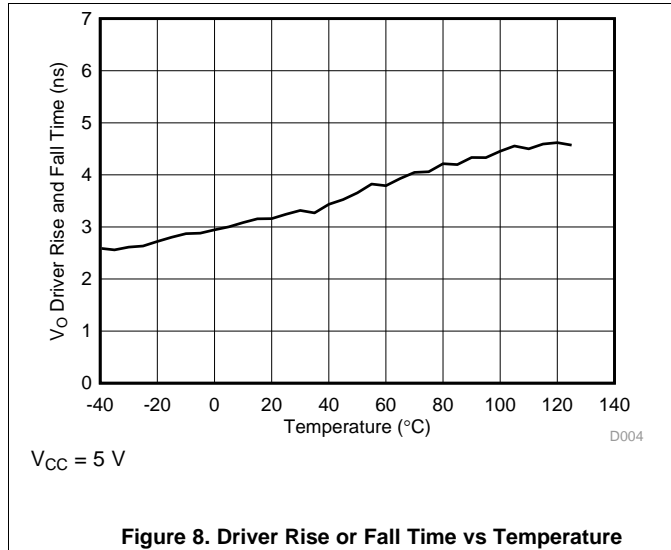
## 7.9 Typical Characteristics: All Devices



Typical Characteristics: All Devices (continued)



## 7.10 Typical Characteristics: THD1450, THVD1451 and THVD1452



### 7.11 Typical Characteristics: THVD1410

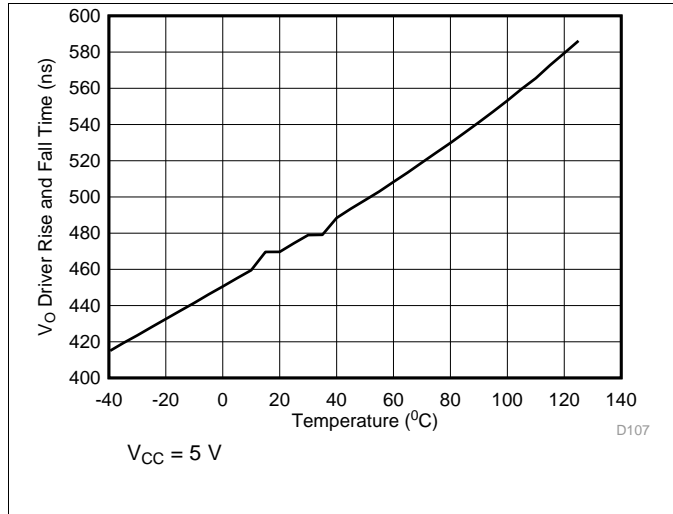


Figure 14. Driver Rise or Fall Time vs Temperature

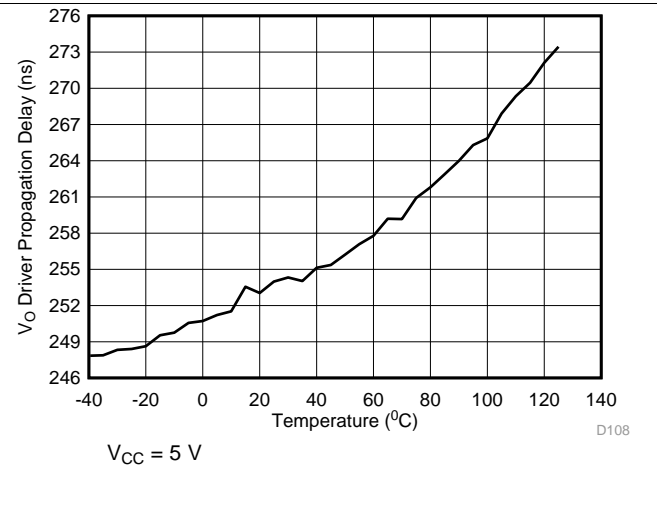


Figure 15. Driver Propagation Delay vs Temperature

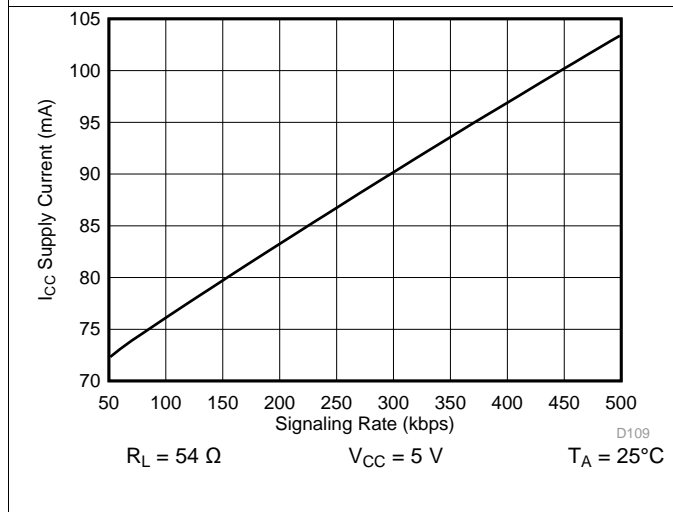


Figure 16. Supply Current vs Signal Rate

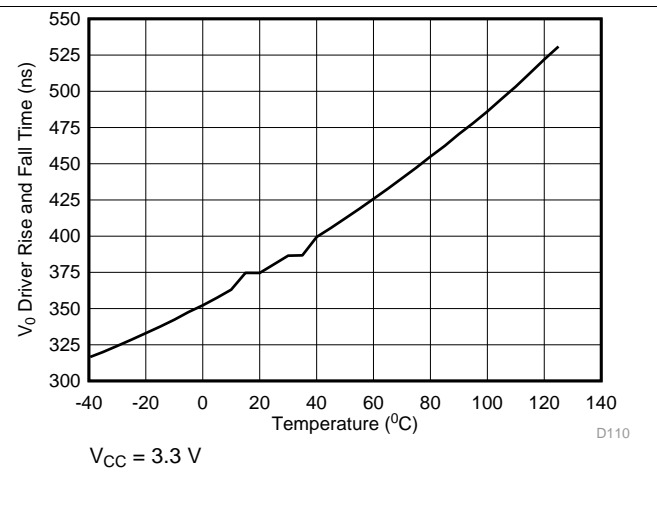


Figure 17. Driver Rise or Fall Time vs Temperature

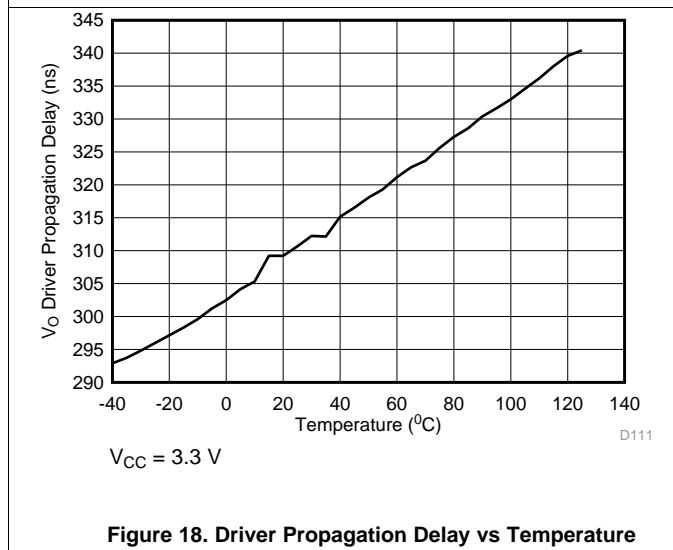


Figure 18. Driver Propagation Delay vs Temperature

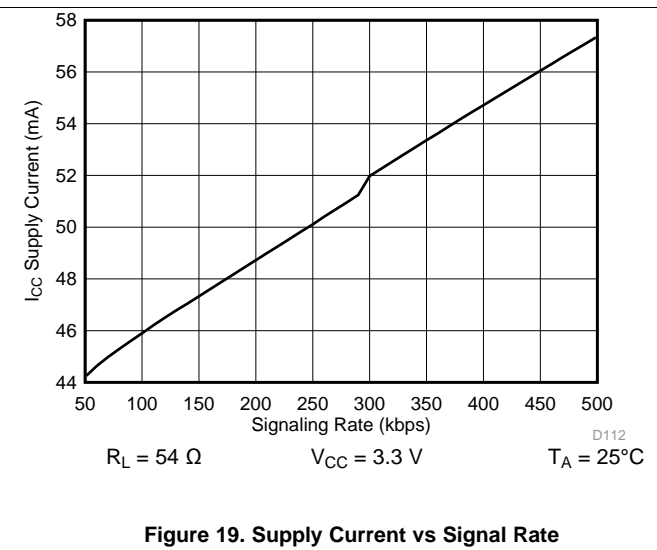


Figure 19. Supply Current vs Signal Rate

## 8 Parameter Measurement Information

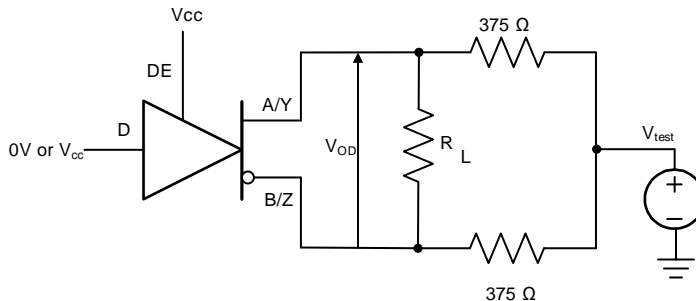


Figure 20. Measurement of Driver Differential Output Voltage With Common-Mode Load

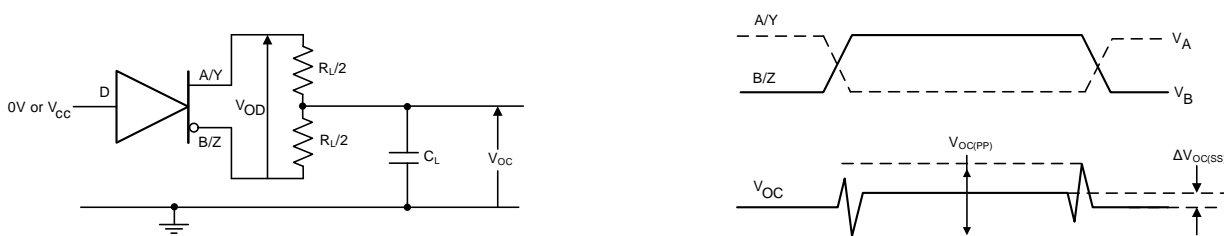


Figure 21. Measurement of Driver Differential and Common-Mode Output With RS-485 Load

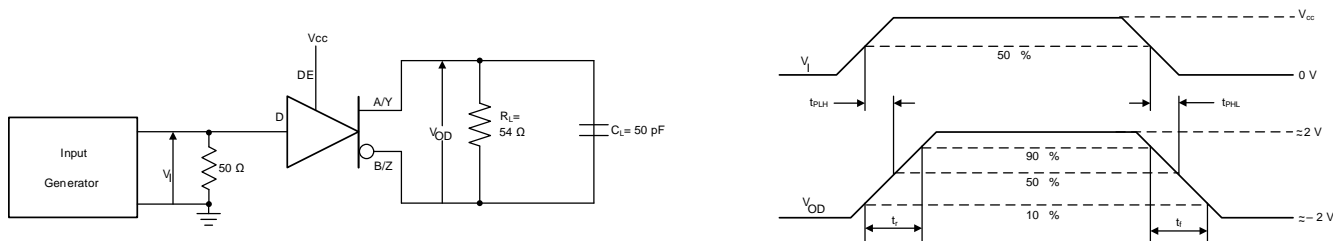


Figure 22. Measurement of Driver Differential Output Rise and Fall Times and Propagation Delays

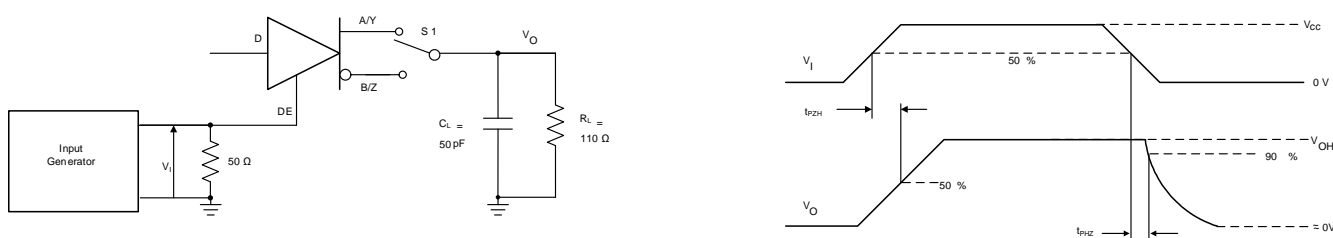


Figure 23. Measurement of Driver Enable and Disable Times With Active High Output and Pull-Down Load

Parameter Measurement Information (continued)

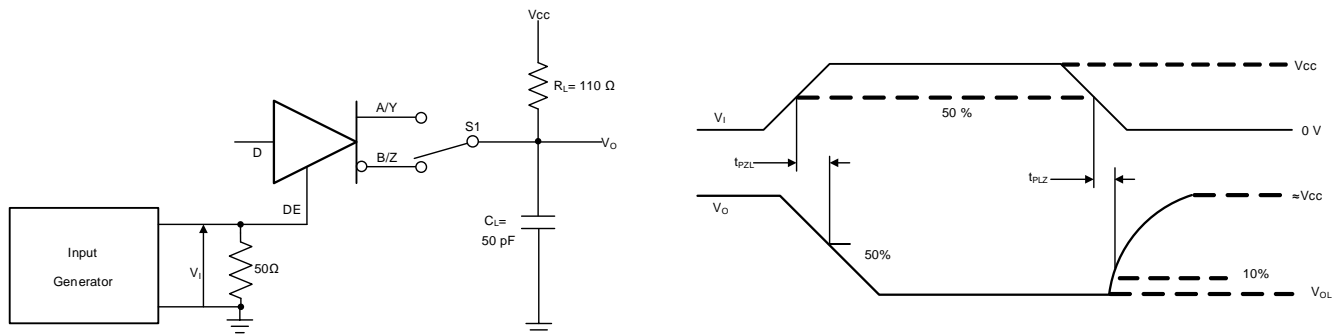


Figure 24. Measurement of Driver Enable and Disable Times With Active Low Output and Pull-up Load

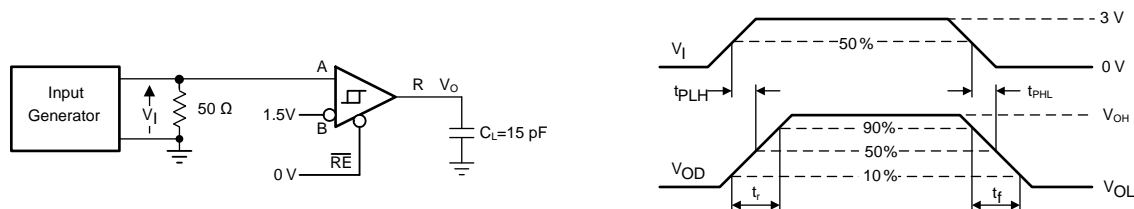


Figure 25. Measurement of Receiver Output Rise and Fall Times and Propagation Delays

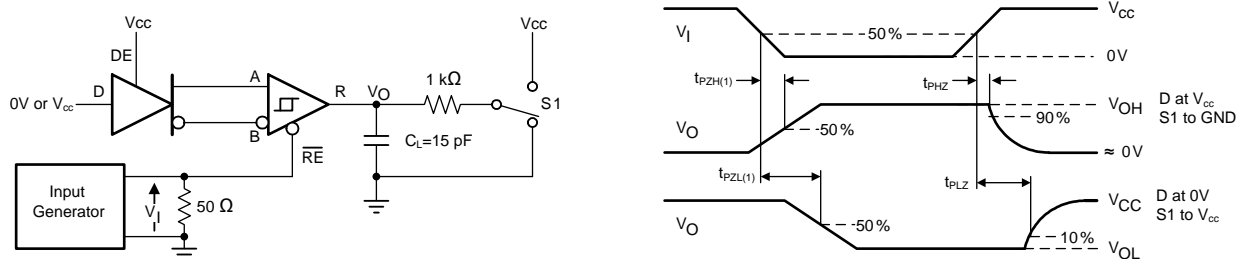


Figure 26. Measurement of Receiver Enable/Disable Times With Driver Enabled

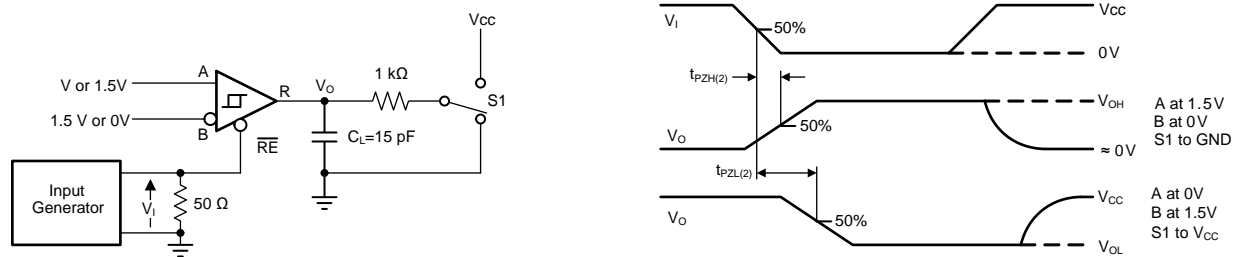


Figure 27. Measurement of Receiver Enable Times With Driver Disabled

## 9 Detailed Description

### 9.1 Overview

THVD1410 and THVD1450 are low-power, half duplex RS-485 transceivers available in two speed grades suitable for data transmission up to 500 kbps and 50 Mbps respectively.

THVD1451 is fully enabled with no external enabling pins. THVD1452 has active-high driver enable and active-low receiver enable. A standby current of less than 1  $\mu\text{A}$  can be achieved by disabling both driver and receiver.

THVD14xx family of devices have a higher typical differential output voltage ( $V_{OD}$ ) than traditional transceivers for better noise immunity. A minimum differential output voltage of 2.1 V is specified with  $V_{CC}$  voltage of 5 V  $\pm 10\%$  to meet the requirements of PROFIBUS applications.

### 9.2 Functional Block Diagrams

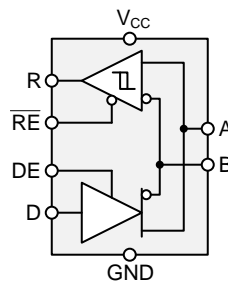


Figure 28. THVD1410 and THVD1450

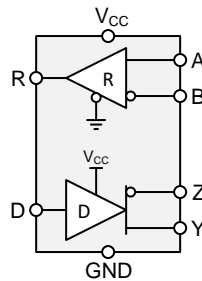


Figure 29. THVD1451

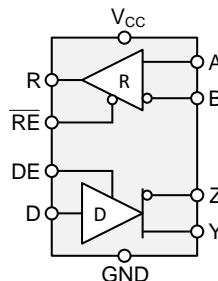


Figure 30. THVD1452

### 9.3 Feature Description

Internal ESD protection circuits protect the transceiver against electrostatic discharges (ESD) according to IEC 61000-4-2 of up to  $\pm 18$  kV and against electrical fast transients (EFT) according to IEC 61000-4-4 of up to  $\pm 4$  kV. With careful system design, one could achieve  $\pm 4$  kV EFT Criterion A (no data loss when transient noise is present).

The THVD14xx device family provides internal biasing of the receiver input thresholds in combination with large input-threshold hysteresis. The receiver output remains logic high under a bus-idle or bus-short conditions without the need for external failsafe biasing resistors. Device operation is specified over a wide ambient temperature range from  $-40^{\circ}\text{C}$  to  $125^{\circ}\text{C}$ .

### 9.4 Device Functional Modes

#### 9.4.1 Device Functional Modes for THVD1410 and THVD1450

When the driver enable pin, DE, is logic high, the differential outputs A and B follow the logic states at data input D. A logic high at D causes A to turn high and B to turn low. In this case the differential output voltage defined as  $V_{OD} = V_A - V_B$  is positive. When D is low, the output states reverse: B turns high, A becomes low, and  $V_{OD}$  is negative.

When DE is low, both outputs turn high-impedance. In this condition the logic state at D is irrelevant. The DE pin has an internal pull-down resistor to ground, thus when left open the driver is disabled (high-impedance) by default. The D pin has an internal pull-up resistor to  $V_{CC}$ , thus, when left open while the driver is enabled, output A turns high and B turns low.

**Table 1. Driver Function Table for THVD1410 and THVD1450**

INPUT	ENABLE	OUTPUTS		FUNCTION
D	DE	A	B	
H	H	H	L	Actively drive bus high
L	H	L	H	Actively drive bus low
X	L	Z	Z	Driver disabled
X	OPEN	Z	Z	Driver disabled by default
OPEN	H	H	L	Actively drive bus high by default

When the receiver enable pin,  $\overline{\text{RE}}$ , is logic low, the receiver is enabled. When the differential input voltage defined as  $V_{ID} = V_A - V_B$  is higher than the positive input threshold,  $V_{TH+}$ , the receiver output, R, turns high. When  $V_{ID}$  is lower than the negative input threshold,  $V_{TH-}$ , the receiver output, R, turns low. If  $V_{ID}$  is between  $V_{TH+}$  and  $V_{TH-}$ , the output is indeterminate.

When  $\overline{\text{RE}}$  is logic high or left open, the receiver output is high-impedance and the magnitude and polarity of  $V_{ID}$  are irrelevant. Internal biasing of the receiver inputs causes the output to go failsafe-high when the transceiver is disconnected from the bus (open-circuit), the bus lines are shorted to one another (short-circuit), or the bus is not actively driven (idle bus).

**Table 2. Receiver Function Table for THVD1410 and THVD1450**

DIFFERENTIAL INPUT	ENABLE	OUTPUT	FUNCTION
$V_{ID} = V_A - V_B$	$\overline{\text{RE}}$	R	
$V_{TH+} < V_{ID}$	L	H	Receive valid bus high
$V_{TH-} < V_{ID} < V_{TH+}$	L	?	Indeterminate bus state
$V_{ID} < V_{TH-}$	L	L	Receive valid bus low
X	H	Z	Receiver disabled
X	OPEN	Z	Receiver disabled by default
Open-circuit bus	L	H	Fail-safe high output
Short-circuit bus	L	H	Fail-safe high output
Idle (terminated) bus	L	H	Fail-safe high output

### 9.4.2 Device Functional Modes for THVD1451

For this device, the driver and receiver are fully enabled, thus the differential outputs Y and Z follow the logic states at data input D at all times. A logic high at D causes Y to turn high and Z to turn low. In this case, the differential output voltage defined as  $V_{OD} = V_Y - V_Z$  is positive. When D is low, the output states reverse: Z turns high, Y becomes low, and  $V_{OD}$  is negative. The D pin has an internal pull-up resistor to  $V_{CC}$ , thus, when left open while the driver is enabled, output Y turns high and Z turns low.

**Table 3. Driver Function Table for THVD1451**

INPUT	OUTPUTS		FUNCTIONS
	Y	Z	
H	H	L	Actively drive bus high
L	L	H	Actively drive bus low
OPEN	H	L	Actively drive bus High by default

When the differential input voltage defined as  $V_{ID} = V_A - V_B$  is higher than the positive input threshold,  $V_{TH+}$ , the receiver output, R, turns high. When  $V_{ID}$  is less than the negative input threshold,  $V_{TH-}$ , the receiver output, R, turns low. If  $V_{ID}$  is between  $V_{TH+}$  and  $V_{TH-}$  the output is indeterminate. Internal biasing of the receiver inputs causes the output to go failsafe-high when the transceiver is disconnected from the bus (open-circuit), the bus lines are shorted to one another (short-circuit), or the bus is not actively driven (idle bus).

**Table 4. Receiver Function Table for THVD1451**

DIFFERENTIAL INPUT	OUTPUT	FUNCTION
$V_{ID} = V_A - V_B$	R	
$V_{TH+} < V_{ID}$	H	Receive valid bus high
$V_{TH-} < V_{ID} < V_{TH+}$	?	Indeterminate bus state
$V_{ID} < V_{TH-}$	L	Receive valid bus low
Open-circuit bus	H	Fail-safe high output
Short-circuit bus	H	Fail-safe high output
Idle (terminated) bus	H	Fail-safe high output

### 9.4.3 Device Functional Modes for THVD1452

When the driver enable pin, DE, is logic high, the differential outputs Y and Z follow the logic states at data input D. A logic high at D causes Y to turn high and Z to turn low. In this case the differential output voltage defined as  $V_{OD} = V_Y - V_Z$  is positive. When D is low, the output states reverse: Z turns high, Y becomes low, and  $V_{OD}$  is negative.

When DE is low, both outputs turn high-impedance. In this condition the logic state at D is irrelevant. The DE pin has an internal pull-down resistor to ground, thus when left open the driver is disabled (high-impedance) by default. The D pin has an internal pull-up resistor to  $V_{CC}$ , thus, when left open while the driver is enabled, output Y turns high and Z turns low.

**Table 5. Driver Function Table for THVD1452**

INPUT	ENABLE	OUTPUTS		FUNCTION
D	DE	Y	Z	
H	H	H	L	Actively drive bus high
L	H	L	H	Actively drive bus low
X	L	Z	Z	Driver disabled
X	OPEN	Z	Z	Driver disabled by default
OPEN	H	H	L	Actively drive bus high by default

When the receiver enable pin,  $\overline{RE}$ , is logic low, the receiver is enabled. When the differential input voltage defined as  $V_{ID} = V_A - V_B$  is higher than the positive input threshold,  $V_{TH+}$ , the receiver output, R, turns high. When  $V_{ID}$  is lower than the negative input threshold,  $V_{TH-}$ , the receiver output, R, turns low. If  $V_{ID}$  is between  $V_{TH+}$  and  $V_{TH-}$ , the output is indeterminate.

When  $\overline{RE}$  is logic high or left open, the receiver output is high-impedance and the magnitude and polarity of  $V_{ID}$  are irrelevant. Internal biasing of the receiver inputs causes the output to go failsafe-high when the transceiver is disconnected from the bus (open-circuit), the bus lines are shorted to one another (short-circuit), or the bus is not actively driven (idle bus).

**Table 6. Receiver Function Table for THVD1452**

DIFFERENTIAL INPUT	ENABLE	OUTPUT	FUNCTION
$V_{ID} = V_A - V_B$	$\overline{RE}$	R	
$V_{TH+} < V_{ID}$	L	H	Receive valid bus high
$V_{TH-} < V_{ID} < V_{TH+}$	L	?	Indeterminate bus state
$V_{ID} < V_{TH-}$	L	L	Receive valid bus low
X	H	Z	Receiver disabled
X	OPEN	Z	Receiver disabled by default
Open-circuit bus	L	H	Fail-safe high output
Short-circuit bus	L	H	Fail-safe high output
Idle (terminated) bus	L	H	Fail-safe high output

## 10 Application and Implementation

### NOTE

Information in the following applications sections is not part of the TI component specification, and TI does not warrant its accuracy or completeness. TI's customers are responsible for determining suitability of components for their purposes. Customers should validate and test their design implementation to confirm system functionality.

### 10.1 Application Information

The THVD14xx family consists of half-duplex and full-duplex RS-485 transceivers commonly used for asynchronous data transmissions. For half-duplex devices, the driver and receiver enable pins allow for the configuration of different operating modes. Full-duplex implementation requires two signal pairs (four wires), and allows each node to transmit data on one pair while simultaneously receiving data on the other pair.

### 10.2 Typical Application

An RS-485 bus consists of multiple transceivers connecting in parallel to a bus cable. To eliminate line reflections, each cable end is terminated with a termination resistor,  $R_T$ , whose value matches the characteristic impedance,  $Z_0$ , of the cable. This method, known as parallel termination, generally allows for higher data rates over longer cable length.

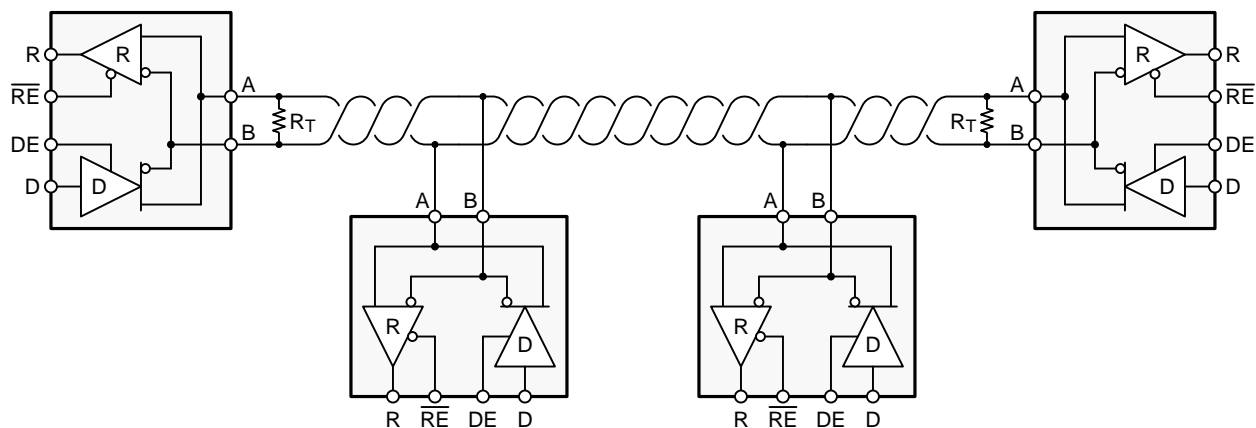


Figure 31. Typical RS-485 Network With Half-Duplex Transceivers

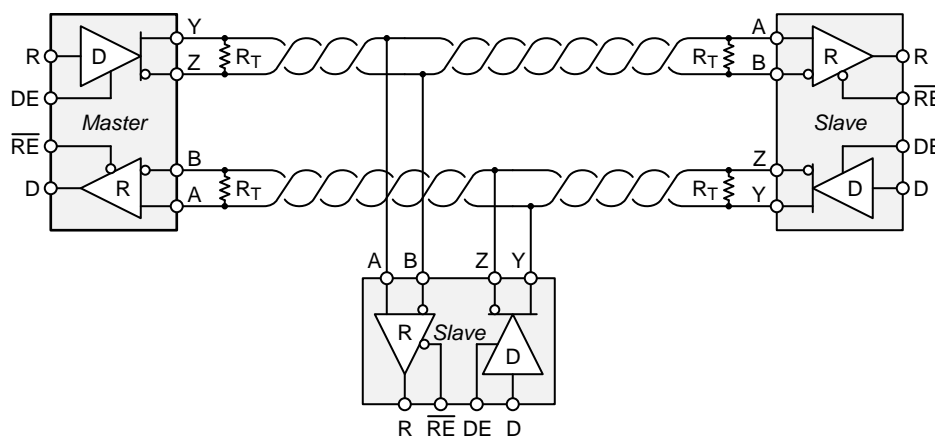


Figure 32. Typical RS-485 Network With Full-Duplex Transceivers

## Typical Application (continued)

### 10.2.1 Design Requirements

RS-485 is a robust electrical standard suitable for long-distance networking that may be used in a wide range of applications with varying requirements, such as distance, data rate, and number of nodes.

#### 10.2.1.1 Data Rate and Bus Length

There is an inverse relationship between data rate and cable length, which means the higher the data rate, the shorter the cable length; and conversely, the lower the data rate, the longer the cable length. While most RS-485 systems use data rates between 10 kbps and 100 kbps, some applications require data rates up to 250 kbps at distances of 4000 feet and longer. Longer distances are possible by allowing for small signal jitter of up to 5 or 10%.

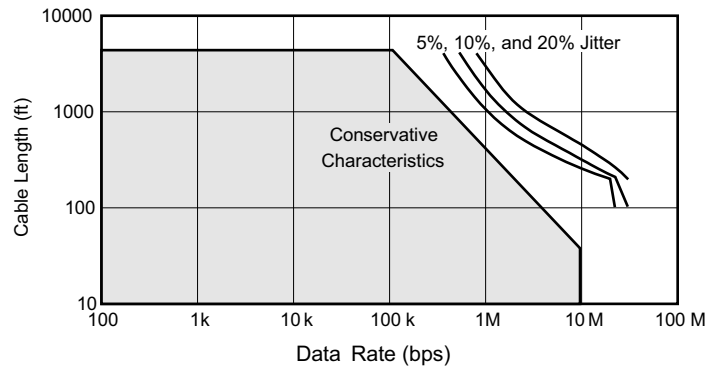


Figure 33. Cable Length vs Data Rate Characteristic

Even higher data rates are achievable (that is, 50 Mbps for the THVD1450, THVD1451 and THVD1452) in cases where the interconnect is short enough (or has suitably low attenuation at signal frequencies) to not degrade the data.

#### 10.2.1.2 Stub Length

When connecting a node to the bus, the distance between the transceiver inputs and the cable trunk, known as the stub, should be as short as possible. Stubs present a non-terminated piece of bus line which can introduce reflections of varying phase as the length of the stub increases. As a general guideline, the electrical length, or round-trip delay, of a stub should be less than one-tenth of the rise time of the driver, thus giving a maximum physical stub length as shown in Equation 1.

$$L_{(STUB)} \leq 0.1 \times t_r \times v \times c$$

where

- $t_r$  is the 10/90 rise time of the driver
- $c$  is the speed of light ( $3 \times 10^8$  m/s)
- $v$  is the signal velocity of the cable or trace as a factor of  $c$

(1)

#### 10.2.1.3 Bus Loading

The RS-485 standard specifies that a compliant driver must be able to drive 32 unit loads (UL), where 1 unit load represents a load impedance of approximately 12 k $\Omega$ . Because the THVD14xx family consists of 1/8 UL transceivers, connecting up to 256 receivers to the bus is possible.

## Typical Application (continued)

### 10.2.1.4 Receiver Failsafe

The differential receivers of the THVD14xx family are *failsafe* to invalid bus states caused by the following:

- Open bus conditions, such as a disconnected connector
- Shorted bus conditions, such as cable damage shorting the twisted-pair together
- Idle bus conditions that occur when no driver on the bus is actively driving

In any of these cases, the differential receiver will output a failsafe logic high state so that the output of the receiver is not indeterminate.

Receiver failsafe is accomplished by offsetting the receiver thresholds such that the *input indeterminate* range does not include zero volts differential. In order to comply with the RS-422 and RS-485 standards, the receiver output must output a high when the differential input  $V_{ID}$  is more positive than 200 mV, and must output a Low when  $V_{ID}$  is more negative than  $-200$  mV. The receiver parameters which determine the failsafe performance are  $V_{TH+}$ ,  $V_{TH-}$ , and  $V_{HYS}$  (the separation between  $V_{TH+}$  and  $V_{TH-}$ ). As shown in the table, differential signals more negative than  $-200$  mV will always cause a low receiver output, and differential signals more positive than 200 mV will always cause a high receiver output.

When the differential input signal is close to zero, it is still above the  $V_{TH+}$  threshold, and the receiver output will be High. Only when the differential input is more than  $V_{HYS}$  below  $V_{TH+}$  will the receiver output transition to a Low state. Therefore, the noise immunity of the receiver inputs during a bus fault conditions includes the receiver hysteresis value,  $V_{HYS}$ , as well as the value of  $V_{TH+}$ .

## Typical Application (continued)

### 10.2.1.5 Transient Protection

The bus pins of the THVD14xx transceiver family include on-chip ESD protection against  $\pm 30$ -kV HBM and  $\pm 18$ -kV IEC 61000-4-2 contact discharge. The International Electrotechnical Commission (IEC) ESD test is far more severe than the HBM ESD test. The 50% higher charge capacitance,  $C_{(S)}$ , and 78% lower discharge resistance,  $R_{(D)}$ , of the IEC model produce significantly higher discharge currents than the HBM model. As stated in the IEC 61000-4-2 standard, contact discharge is the preferred transient protection test method.

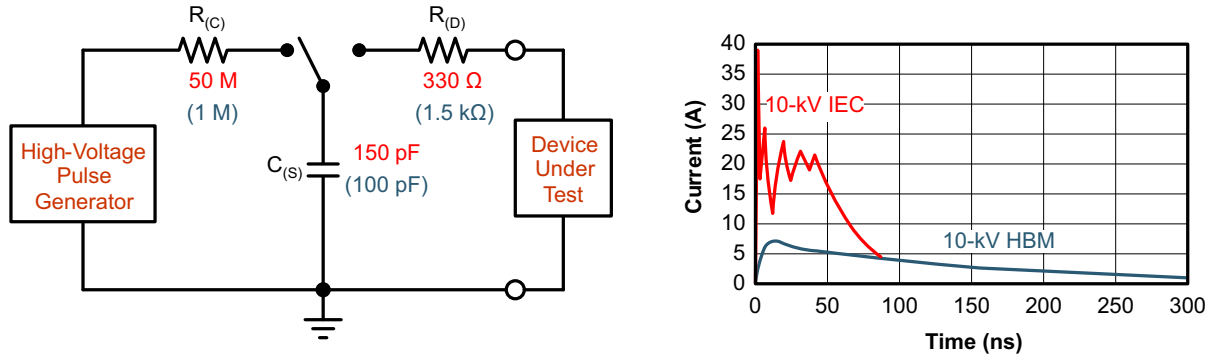


Figure 34. HBM and IEC ESD Models and Currents in Comparison (HBM Values in Parenthesis)

The on-chip implementation of IEC ESD protection significantly increases the robustness of equipment. Common discharge events occur because of human contact with connectors and cables. Designers may choose to implement protection against longer duration transients, typically referred to as surge transients.

EFTs are generally caused by relay-contact bounce or the interruption of inductive loads. Surge transients often result from lightning strikes (direct strike or an indirect strike which induce voltages and currents), or the switching of power systems, including load changes and short circuit switching. These transients are often encountered in industrial environments, such as factory automation and power-grid systems.

Figure 35 compares the pulse-power of the EFT and surge transients with the power caused by an IEC ESD transient. The left hand diagram shows the relative pulse-power for a 0.5-kV surge transient and 4-kV EFT transient, both of which dwarf the 10-kV ESD transient visible in the lower-left corner. 500-V surge transients are representative of events that may occur in factory environments in industrial and process automation.

The right hand diagram shows the pulse power of a 6-kV surge transient, relative to the same 0.5-kV surge transient. 6-kV surge transients are most likely to occur in power generation and power-grid systems.

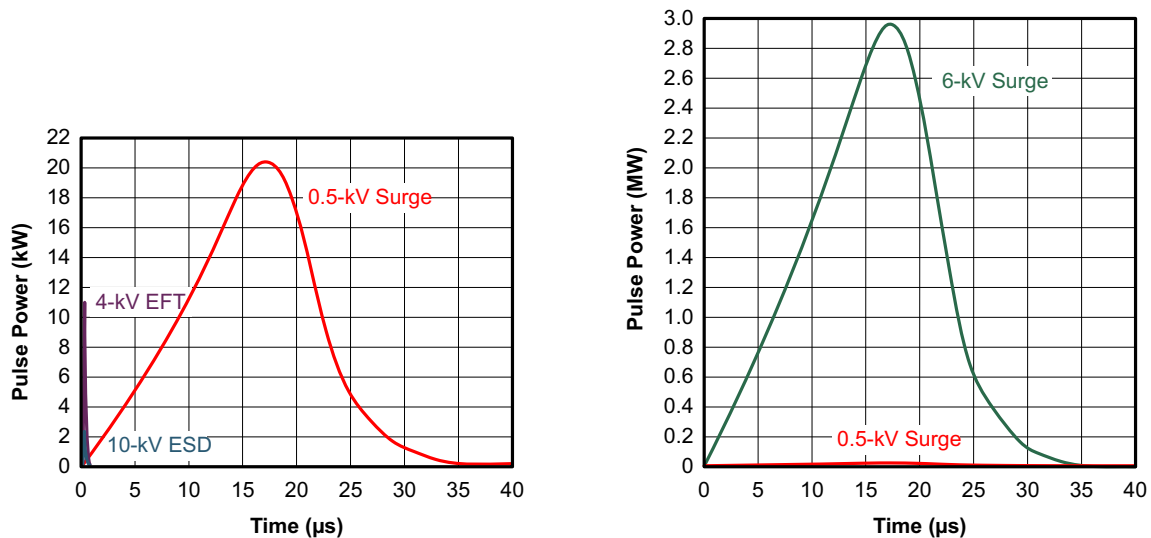


Figure 35. Power Comparison of ESD, EFT, and Surge Transients

### Typical Application (continued)

If the surge transients, high-energy content is characterized by long pulse duration and slow decaying pulse power. The electrical energy of a transient that is dumped into the internal protection cells of a transceiver is converted into thermal energy, which heats and destroys the protection cells, thus destroying the transceiver. Figure 36 shows the large differences in transient energies for single ESD, EFT, surge transients, and an EFT pulse train that is commonly applied during compliance testing.

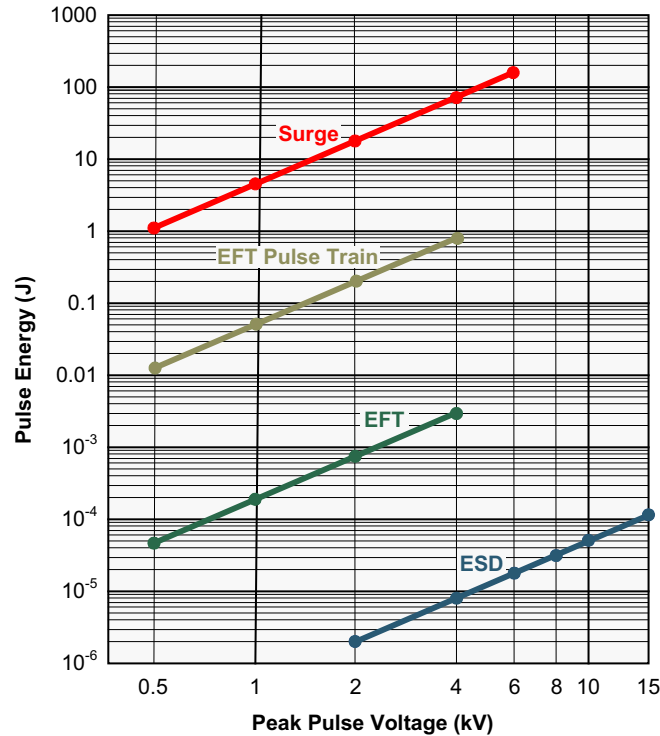


Figure 36. Comparison of Transient Energies

## Typical Application (continued)

### 10.2.2 Detailed Design Procedure

Figure 37 and Figure 38 suggest a protection circuit against 1 kV surge (IEC 61000-4-5) transients. Table 7 shows the associated bill of materials.



Figure 37. Transient Protection Against Surge Transients for Half-Duplex Devices

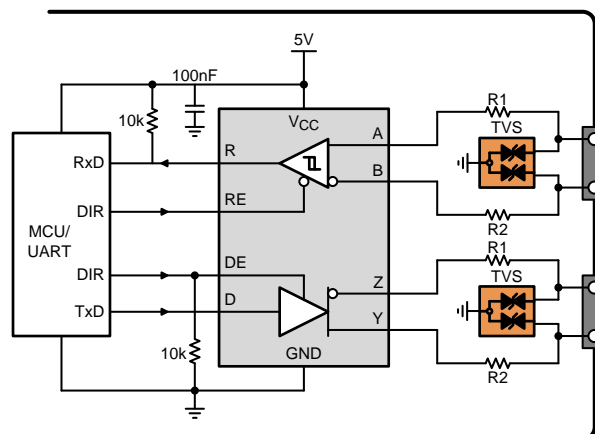


Figure 38. Transient Protection Against Surge Transients for Full-Duplex Devices

Table 7. Bill of Materials

DEVICE	FUNCTION	ORDER NUMBER	MANUFACTURER
XCVR	RS-485 transceiver	THVD14xx	TI
R1	10-Ω, pulse-proof thick-film resistor	CRCW0603010RJNEAHP	Vishay
R2			
TVS	Bidirectional 400-W transient suppressor	CDSOT23-SM712	Bourns

### 10.2.3 Application Curves

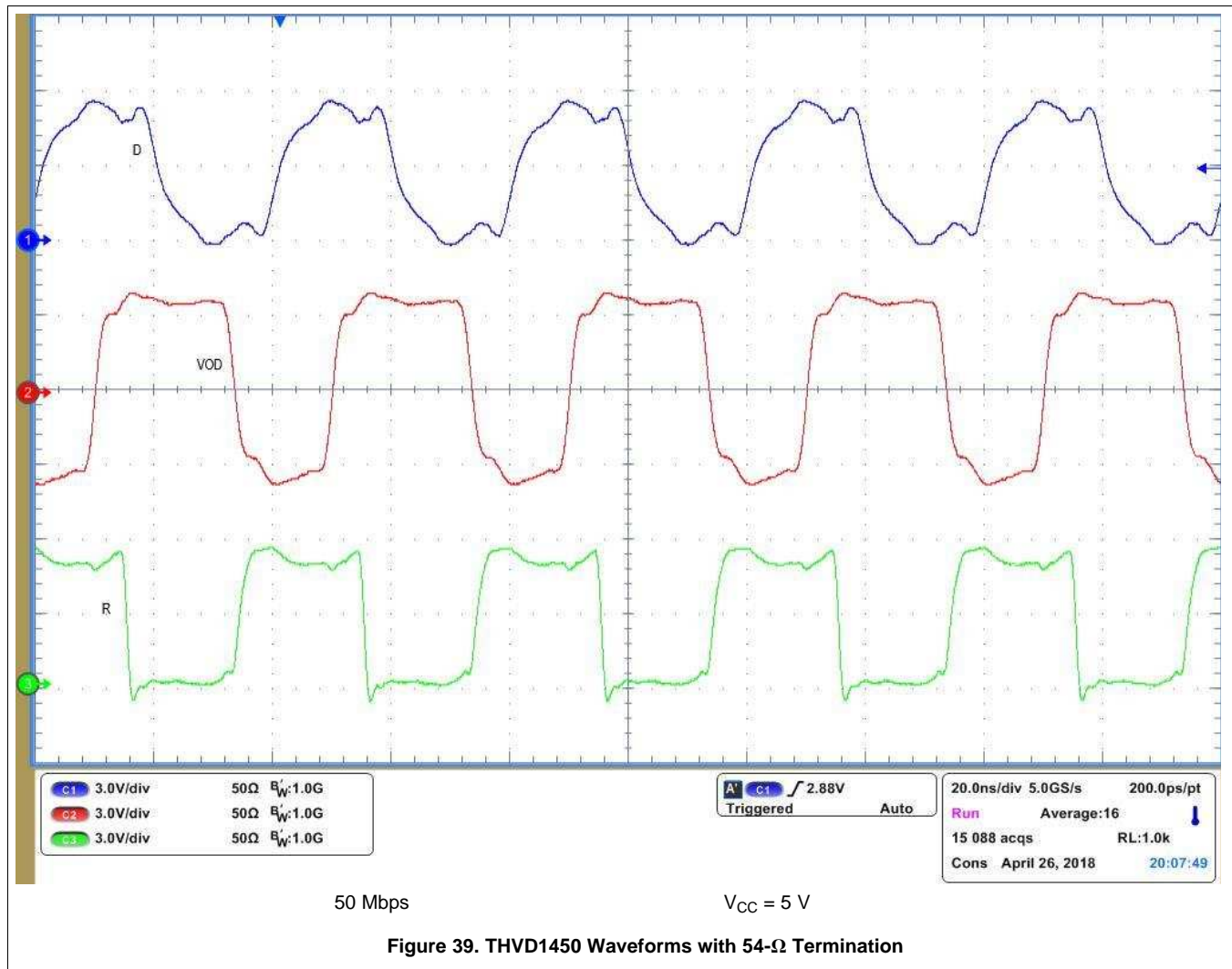


Figure 39. THVD1450 Waveforms with 54-Ω Termination

## 11 Power Supply Recommendations

To ensure reliable operation at all data rates and supply voltages, each supply should be decoupled with a 100 nF ceramic capacitor located as close to the supply pins as possible. This helps to reduce supply voltage ripple present on the outputs of switched-mode power supplies and also helps to compensate for the resistance and inductance of the PCB power planes.

## 12 Layout

### 12.1 Layout Guidelines

Robust and reliable bus node design often requires the use of external transient protection devices in order to protect against surge transients that may occur in industrial environments. Since these transients have a wide frequency bandwidth (from approximately 3 MHz to 300 MHz), high-frequency layout techniques should be applied during PCB design.

1. Place the protection circuitry close to the bus connector to prevent noise transients from penetrating your board.
2. Use  $V_{CC}$  and ground planes to provide low-inductance. Note that high-frequency currents tend to follow the path of least impedance and not the path of least resistance.
3. Design the protection components into the direction of the signal path. Do not force the transient currents to divert from the signal path to reach the protection device.
4. Apply 100-nF to 220-nF decoupling capacitors as close as possible to the  $V_{CC}$  pins of transceiver, UART and/or controller ICs on the board.
5. Use at least two vias for  $V_{CC}$  and ground connections of decoupling capacitors and protection devices to minimize effective via inductance.
6. Use 1-k $\Omega$  to 10-k $\Omega$  pull-up and pull-down resistors for enable lines to limit noise currents in these lines during transient events.
7. Insert pulse-proof resistors into the A and B bus lines if the TVS clamping voltage is higher than the specified maximum voltage of the transceiver bus pins. These resistors limit the residual clamping current into the transceiver and prevent it from latching up.
8. While pure TVS protection is sufficient for surge transients up to 1 kV, higher transients require metal-oxide varistors (MOVs) which reduce the transients to a few hundred volts of clamping voltage, and transient blocking units (TBUs) that limit transient current to less than 1 mA.

### 12.2 Layout Example

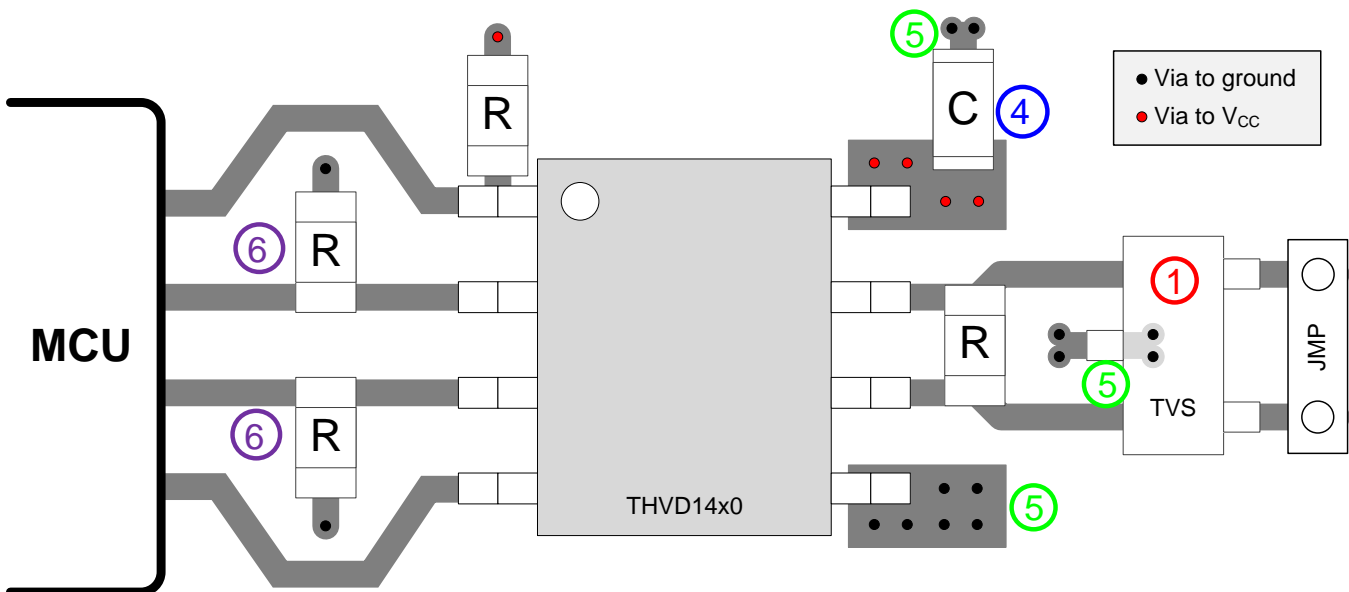


Figure 40. Half-Duplex Layout Example

## 13 Device and Documentation Support

### 13.1 Device Support

### 13.2 Third-Party Products Disclaimer

TI'S PUBLICATION OF INFORMATION REGARDING THIRD-PARTY PRODUCTS OR SERVICES DOES NOT CONSTITUTE AN ENDORSEMENT REGARDING THE SUITABILITY OF SUCH PRODUCTS OR SERVICES OR A WARRANTY, REPRESENTATION OR ENDORSEMENT OF SUCH PRODUCTS OR SERVICES, EITHER ALONE OR IN COMBINATION WITH ANY TI PRODUCT OR SERVICE.

### 13.3 Related Links

The table below lists quick access links. Categories include technical documents, support and community resources, tools and software, and quick access to order now.

Table 8. Related Links

PARTS	PRODUCT FOLDER	ORDER NOW	TECHNICAL DOCUMENTS	TOOLS & SOFTWARE	SUPPORT & COMMUNITY
THVD1410	<a href="#">Click here</a>	<a href="#">Click here</a>	<a href="#">Click here</a>	<a href="#">Click here</a>	<a href="#">Click here</a>
THVD1450	<a href="#">Click here</a>	<a href="#">Click here</a>	<a href="#">Click here</a>	<a href="#">Click here</a>	<a href="#">Click here</a>
THVD1451	<a href="#">Click here</a>	<a href="#">Click here</a>	<a href="#">Click here</a>	<a href="#">Click here</a>	<a href="#">Click here</a>
THVD1452	<a href="#">Click here</a>	<a href="#">Click here</a>	<a href="#">Click here</a>	<a href="#">Click here</a>	<a href="#">Click here</a>

### 13.4 Receiving Notification of Documentation Updates

To receive notification of documentation updates, navigate to the device product folder on ti.com. In the upper right corner, click on *Alert me* to register and receive a weekly digest of any product information that has changed. For change details, review the revision history included in any revised document.

### 13.5 Community Resources

The following links connect to TI community resources. Linked contents are provided "AS IS" by the respective contributors. They do not constitute TI specifications and do not necessarily reflect TI's views; see TI's [Terms of Use](#).

**TI E2E™ Online Community** *TI's Engineer-to-Engineer (E2E) Community*. Created to foster collaboration among engineers. At e2e.ti.com, you can ask questions, share knowledge, explore ideas and help solve problems with fellow engineers.

**Design Support** *TI's Design Support* Quickly find helpful E2E forums along with design support tools and contact information for technical support.

### 13.6 Trademarks

E2E is a trademark of Texas Instruments.  
 All other trademarks are the property of their respective owners.

### 13.7 Electrostatic Discharge Caution



These devices have limited built-in ESD protection. The leads should be shorted together or the device placed in conductive foam during storage or handling to prevent electrostatic damage to the MOS gates.

### 13.8 Glossary

**SLYZ022** — *TI Glossary*.

This glossary lists and explains terms, acronyms, and definitions.

## 14 Mechanical, Packaging, and Orderable Information

The following pages include mechanical, packaging, and orderable information. This information is the most current data available for the designated devices. This data is subject to change without notice and revision of this document. For browser-based versions of this data sheet, refer to the left-hand navigation.

**PACKAGING INFORMATION**

Orderable part number	Status (1)	Material type (2)	Package   Pins	Package qty   Carrier	RoHS (3)	Lead finish/ Ball material (4)	MSL rating/ Peak reflow (5)	Op temp (°C)	Part marking (6)
<a href="#">THVD1410D</a>	Active	Production	SOIC (D)   8	75   TUBE	Yes	NIPDAU	Level-1-260C-UNLIM	-40 to 125	VD1410
THVD1410D.A	Active	Production	SOIC (D)   8	75   TUBE	Yes	NIPDAU	Level-1-260C-UNLIM	-40 to 125	VD1410
<a href="#">THVD1410DGK</a>	Active	Production	VSSOP (DGK)   8	80   TUBE	Yes	NIPDAUAG	Level-1-260C-UNLIM	-40 to 125	1410
THVD1410DGK.A	Active	Production	VSSOP (DGK)   8	80   TUBE	Yes	NIPDAUAG	Level-1-260C-UNLIM	-40 to 125	1410
<a href="#">THVD1410DGKR</a>	Active	Production	VSSOP (DGK)   8	2500   LARGE T&R	Yes	NIPDAU   SN   NIPDAUAG	Level-1-260C-UNLIM	-40 to 125	1410
THVD1410DGKR.A	Active	Production	VSSOP (DGK)   8	2500   LARGE T&R	Yes	NIPDAU	Level-1-260C-UNLIM	-40 to 125	1410
THVD1410DGKR.B	Active	Production	VSSOP (DGK)   8	2500   LARGE T&R	Yes	NIPDAU	Level-1-260C-UNLIM	-40 to 125	1410
THVD1410DGKRG4	Active	Production	VSSOP (DGK)   8	2500   LARGE T&R	Yes	NIPDAU	Level-1-260C-UNLIM	-40 to 125	1410
THVD1410DGKRG4.A	Active	Production	VSSOP (DGK)   8	2500   LARGE T&R	Yes	NIPDAU	Level-1-260C-UNLIM	-40 to 125	1410
THVD1410DGKRG4.B	Active	Production	VSSOP (DGK)   8	2500   LARGE T&R	Yes	NIPDAU	Level-1-260C-UNLIM	-40 to 125	1410
<a href="#">THVD1410DR</a>	Active	Production	SOIC (D)   8	2500   LARGE T&R	Yes	NIPDAU	Level-1-260C-UNLIM	-40 to 125	VD1410
THVD1410DR.A	Active	Production	SOIC (D)   8	2500   LARGE T&R	Yes	NIPDAU	Level-1-260C-UNLIM	-40 to 125	VD1410
<a href="#">THVD1450D</a>	Active	Production	SOIC (D)   8	75   TUBE	Yes	NIPDAU	Level-1-260C-UNLIM	-40 to 125	VD1450
THVD1450D.A	Active	Production	SOIC (D)   8	75   TUBE	Yes	NIPDAU	Level-1-260C-UNLIM	-40 to 125	VD1450
THVD1450D.B	Active	Production	SOIC (D)   8	75   TUBE	Yes	NIPDAU	Level-1-260C-UNLIM	-40 to 125	VD1450
<a href="#">THVD1450DGK</a>	Active	Production	VSSOP (DGK)   8	80   TUBE	Yes	NIPDAUAG	Level-1-260C-UNLIM	-40 to 125	1450
THVD1450DGK.A	Active	Production	VSSOP (DGK)   8	80   TUBE	Yes	NIPDAUAG	Level-1-260C-UNLIM	-40 to 125	1450
<a href="#">THVD1450DGKR</a>	Active	Production	VSSOP (DGK)   8	2500   LARGE T&R	Yes	NIPDAU   SN   NIPDAUAG	Level-1-260C-UNLIM	-40 to 125	1450
THVD1450DGKR.A	Active	Production	VSSOP (DGK)   8	2500   LARGE T&R	Yes	NIPDAU	Level-1-260C-UNLIM	-40 to 125	1450
THVD1450DGKR.B	Active	Production	VSSOP (DGK)   8	2500   LARGE T&R	Yes	NIPDAU	Level-1-260C-UNLIM	-40 to 125	1450
<a href="#">THVD1450DR</a>	Active	Production	SOIC (D)   8	2500   LARGE T&R	Yes	NIPDAU	Level-1-260C-UNLIM	-40 to 125	VD1450
THVD1450DR.A	Active	Production	SOIC (D)   8	2500   LARGE T&R	Yes	NIPDAU	Level-1-260C-UNLIM	-40 to 125	VD1450
THVD1450DR.B	Active	Production	SOIC (D)   8	2500   LARGE T&R	Yes	NIPDAU	Level-1-260C-UNLIM	-40 to 125	VD1450
<a href="#">THVD1450DRBR</a>	Active	Production	SON (DRB)   8	3000   LARGE T&R	Yes	SN	Level-1-260C-UNLIM	-40 to 125	1450
THVD1450DRBR.A	Active	Production	SON (DRB)   8	3000   LARGE T&R	Yes	SN	Level-1-260C-UNLIM	-40 to 125	1450
THVD1450DRBR.B	Active	Production	SON (DRB)   8	3000   LARGE T&R	Yes	SN	Level-1-260C-UNLIM	-40 to 125	1450
<a href="#">THVD1450DRBT</a>	Active	Production	SON (DRB)   8	250   SMALL T&R	Yes	SN	Level-1-260C-UNLIM	-40 to 125	1450
THVD1450DRBT.A	Active	Production	SON (DRB)   8	250   SMALL T&R	Yes	SN	Level-1-260C-UNLIM	-40 to 125	1450

Orderable part number	Status (1)	Material type (2)	Package   Pins	Package qty   Carrier	RoHS (3)	Lead finish/ Ball material (4)	MSL rating/ Peak reflow (5)	Op temp (°C)	Part marking (6)
THVD1450DRG4	Active	Production	SOIC (D)   8	2500   LARGE T&R	Yes	NIPDAU	Level-1-260C-UNLIM	-40 to 125	VD1450
THVD1450DRG4.A	Active	Production	SOIC (D)   8	2500   LARGE T&R	Yes	NIPDAU	Level-1-260C-UNLIM	-40 to 125	VD1450
THVD1450DRG4.B	Active	Production	SOIC (D)   8	2500   LARGE T&R	Yes	NIPDAU	Level-1-260C-UNLIM	-40 to 125	VD1450
<a href="#">THVD1451D</a>	Active	Production	SOIC (D)   8	75   TUBE	Yes	NIPDAU	Level-1-260C-UNLIM	-40 to 125	VD1451
THVD1451D.A	Active	Production	SOIC (D)   8	75   TUBE	Yes	NIPDAU	Level-1-260C-UNLIM	-40 to 125	VD1451
<a href="#">THVD1451DR</a>	Active	Production	SOIC (D)   8	2500   LARGE T&R	Yes	NIPDAU	Level-1-260C-UNLIM	-40 to 125	VD1451
THVD1451DR.A	Active	Production	SOIC (D)   8	2500   LARGE T&R	Yes	NIPDAU	Level-1-260C-UNLIM	-40 to 125	VD1451
THVD1451DR.B	Active	Production	SOIC (D)   8	2500   LARGE T&R	Yes	NIPDAU	Level-1-260C-UNLIM	-40 to 125	VD1451
<a href="#">THVD1451DRBR</a>	Active	Production	SON (DRB)   8	3000   LARGE T&R	Yes	SN	Level-1-260C-UNLIM	-40 to 125	1451
THVD1451DRBR.A	Active	Production	SON (DRB)   8	3000   LARGE T&R	Yes	SN	Level-1-260C-UNLIM	-40 to 125	1451
<a href="#">THVD1451DRBT</a>	Active	Production	SON (DRB)   8	250   SMALL T&R	Yes	SN	Level-1-260C-UNLIM	-40 to 125	1451
THVD1451DRBT.A	Active	Production	SON (DRB)   8	250   SMALL T&R	Yes	SN	Level-1-260C-UNLIM	-40 to 125	1451
<a href="#">THVD1452D</a>	Active	Production	SOIC (D)   14	50   TUBE	Yes	NIPDAU	Level-1-260C-UNLIM	-40 to 125	1452
THVD1452D.A	Active	Production	SOIC (D)   14	50   TUBE	Yes	NIPDAU	Level-1-260C-UNLIM	-40 to 125	1452
<a href="#">THVD1452DGS</a>	Active	Production	VSSOP (DGS)   10	80   TUBE	Yes	NIPDAUAG	Level-1-260C-UNLIM	-40 to 125	1452
THVD1452DGS.A	Active	Production	VSSOP (DGS)   10	80   TUBE	Yes	NIPDAUAG	Level-1-260C-UNLIM	-40 to 125	1452
<a href="#">THVD1452DGSR</a>	Active	Production	VSSOP (DGS)   10	2500   LARGE T&R	Yes	NIPDAUAG	Level-1-260C-UNLIM	-40 to 125	1452
THVD1452DGSR.A	Active	Production	VSSOP (DGS)   10	2500   LARGE T&R	Yes	NIPDAUAG	Level-1-260C-UNLIM	-40 to 125	1452
<a href="#">THVD1452DR</a>	Active	Production	SOIC (D)   14	2500   LARGE T&R	Yes	NIPDAU	Level-1-260C-UNLIM	-40 to 125	1452
THVD1452DR.A	Active	Production	SOIC (D)   14	2500   LARGE T&R	Yes	NIPDAU	Level-1-260C-UNLIM	-40 to 125	1452
THVD1452DR.B	Active	Production	SOIC (D)   14	2500   LARGE T&R	Yes	NIPDAU	Level-1-260C-UNLIM	-40 to 125	1452

(1) **Status:** For more details on status, see our [product life cycle](#).

(2) **Material type:** When designated, preproduction parts are prototypes/experimental devices, and are not yet approved or released for full production. Testing and final process, including without limitation quality assurance, reliability performance testing, and/or process qualification, may not yet be complete, and this item is subject to further changes or possible discontinuation. If available for ordering, purchases will be subject to an additional waiver at checkout, and are intended for early internal evaluation purposes only. These items are sold without warranties of any kind.

(3) **RoHS values:** Yes, No, RoHS Exempt. See the [TI RoHS Statement](#) for additional information and value definition.

(4) **Lead finish/Ball material:** Parts may have multiple material finish options. Finish options are separated by a vertical ruled line. Lead finish/Ball material values may wrap to two lines if the finish value exceeds the maximum column width.

<sup>(5)</sup> **MSL rating/Peak reflow:** The moisture sensitivity level ratings and peak solder (reflow) temperatures. In the event that a part has multiple moisture sensitivity ratings, only the lowest level per JEDEC standards is shown. Refer to the shipping label for the actual reflow temperature that will be used to mount the part to the printed circuit board.

<sup>(6)</sup> **Part marking:** There may be an additional marking, which relates to the logo, the lot trace code information, or the environmental category of the part.

Multiple part markings will be inside parentheses. Only one part marking contained in parentheses and separated by a "~" will appear on a part. If a line is indented then it is a continuation of the previous line and the two combined represent the entire part marking for that device.

**Important Information and Disclaimer:** The information provided on this page represents TI's knowledge and belief as of the date that it is provided. TI bases its knowledge and belief on information provided by third parties, and makes no representation or warranty as to the accuracy of such information. Efforts are underway to better integrate information from third parties. TI has taken and continues to take reasonable steps to provide representative and accurate information but may not have conducted destructive testing or chemical analysis on incoming materials and chemicals. TI and TI suppliers consider certain information to be proprietary, and thus CAS numbers and other limited information may not be available for release.

In no event shall TI's liability arising out of such information exceed the total purchase price of the TI part(s) at issue in this document sold by TI to Customer on an annual basis.

**TAPE AND REEL INFORMATION**

**QUADRANT ASSIGNMENTS FOR PIN 1 ORIENTATION IN TAPE**

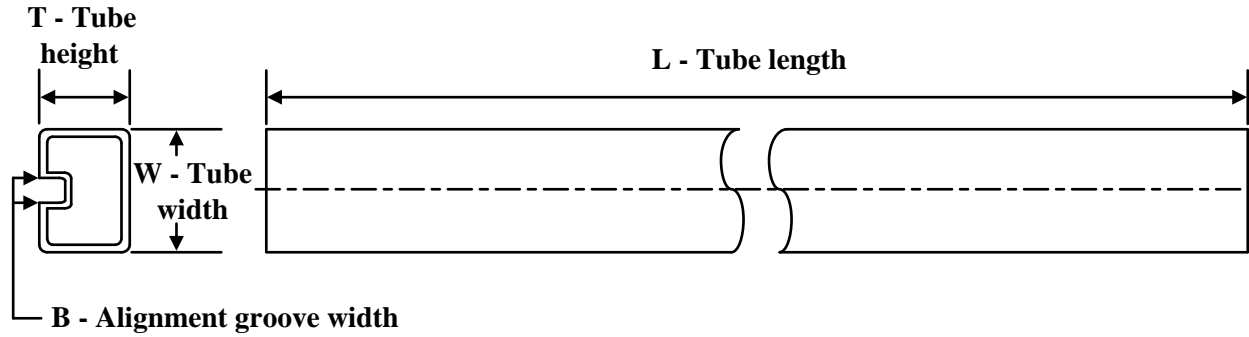

\*All dimensions are nominal

Device	Package Type	Package Drawing	Pins	SPQ	Reel Diameter (mm)	Reel Width W1 (mm)	A0 (mm)	B0 (mm)	K0 (mm)	P1 (mm)	W (mm)	Pin1 Quadrant
THVD1410DGKR	VSSOP	DGK	8	2500	330.0	12.4	5.3	3.4	1.4	8.0	12.0	Q1
THVD1410DGKRG4	VSSOP	DGK	8	2500	330.0	12.4	5.3	3.4	1.4	8.0	12.0	Q1
THVD1410DR	SOIC	D	8	2500	330.0	12.4	6.4	5.2	2.1	8.0	12.0	Q1
THVD1450DGKR	VSSOP	DGK	8	2500	330.0	12.4	5.3	3.4	1.4	8.0	12.0	Q1
THVD1450DGKR	VSSOP	DGK	8	2500	330.0	12.4	5.3	3.4	1.4	8.0	12.0	Q1
THVD1450DR	SOIC	D	8	2500	330.0	12.4	6.4	5.2	2.1	8.0	12.0	Q1
THVD1450DRBR	SON	DRB	8	3000	330.0	12.4	3.3	3.3	1.0	8.0	12.0	Q2
THVD1450DRBT	SON	DRB	8	250	180.0	12.4	3.3	3.3	1.0	8.0	12.0	Q2
THVD1450DRG4	SOIC	D	8	2500	330.0	12.4	6.4	5.2	2.1	8.0	12.0	Q1
THVD1451DR	SOIC	D	8	2500	330.0	12.4	6.4	5.2	2.1	8.0	12.0	Q1
THVD1451DRBR	SON	DRB	8	3000	330.0	12.4	3.3	3.3	1.0	8.0	12.0	Q2
THVD1451DRBT	SON	DRB	8	250	180.0	12.4	3.3	3.3	1.0	8.0	12.0	Q2
THVD1452DGSR	VSSOP	DGS	10	2500	330.0	12.4	5.3	3.4	1.4	8.0	12.0	Q1
THVD1452DR	SOIC	D	14	2500	330.0	16.4	6.5	9.0	2.1	8.0	16.0	Q1

**TAPE AND REEL BOX DIMENSIONS**


\*All dimensions are nominal

Device	Package Type	Package Drawing	Pins	SPQ	Length (mm)	Width (mm)	Height (mm)
THVD1410DGKR	VSSOP	DGK	8	2500	353.0	353.0	32.0
THVD1410DGKRG4	VSSOP	DGK	8	2500	353.0	353.0	32.0
THVD1410DR	SOIC	D	8	2500	353.0	353.0	32.0
THVD1450DGKR	VSSOP	DGK	8	2500	353.0	353.0	32.0
THVD1450DGKR	VSSOP	DGK	8	2500	364.0	364.0	27.0
THVD1450DR	SOIC	D	8	2500	353.0	353.0	32.0
THVD1450DRBR	SON	DRB	8	3000	346.0	346.0	35.0
THVD1450DRBT	SON	DRB	8	250	200.0	183.0	25.0
THVD1450DRG4	SOIC	D	8	2500	353.0	353.0	32.0
THVD1451DR	SOIC	D	8	2500	353.0	353.0	32.0
THVD1451DRBR	SON	DRB	8	3000	346.0	346.0	35.0
THVD1451DRBT	SON	DRB	8	250	200.0	183.0	25.0
THVD1452DGSR	VSSOP	DGS	10	2500	364.0	364.0	27.0
THVD1452DR	SOIC	D	14	2500	353.0	353.0	32.0

**TUBE**


\*All dimensions are nominal

Device	Package Name	Package Type	Pins	SPQ	L (mm)	W (mm)	T (μm)	B (mm)
THVD1410D	D	SOIC	8	75	507	8	3940	4.32
THVD1410D.A	D	SOIC	8	75	507	8	3940	4.32
THVD1410DGK	DGK	VSSOP	8	80	330	6.55	500	2.88
THVD1410DGK.A	DGK	VSSOP	8	80	330	6.55	500	2.88
THVD1450D	D	SOIC	8	75	507	8	3940	4.32
THVD1450D.A	D	SOIC	8	75	507	8	3940	4.32
THVD1450D.B	D	SOIC	8	75	507	8	3940	4.32
THVD1450DGK	DGK	VSSOP	8	80	330	6.55	500	2.88
THVD1450DGK.A	DGK	VSSOP	8	80	330	6.55	500	2.88
THVD1451D	D	SOIC	8	75	507	8	3940	4.32
THVD1451D.A	D	SOIC	8	75	507	8	3940	4.32
THVD1452D	D	SOIC	14	50	507	8	3940	4.32
THVD1452D.A	D	SOIC	14	50	507	8	3940	4.32
THVD1452DGS	DGS	VSSOP	10	80	330	6.55	500	2.88
THVD1452DGS.A	DGS	VSSOP	10	80	330	6.55	500	2.88

# DGK0008A



# PACKAGE OUTLINE

VSSOP - 1.1 mm max height

SMALL OUTLINE PACKAGE



**NOTES:**

PowerPAD is a trademark of Texas Instruments.

1. All linear dimensions are in millimeters. Any dimensions in parenthesis are for reference only. Dimensioning and tolerancing per ASME Y14.5M.
2. This drawing is subject to change without notice.
3. This dimension does not include mold flash, protrusions, or gate burrs. Mold flash, protrusions, or gate burrs shall not exceed 0.15 mm per side.
4. This dimension does not include interlead flash. Interlead flash shall not exceed 0.25 mm per side.
5. Reference JEDEC registration MO-187.

# EXAMPLE BOARD LAYOUT

DGK0008A

™ VSSOP - 1.1 mm max height

SMALL OUTLINE PACKAGE



LAND PATTERN EXAMPLE  
EXPOSED METAL SHOWN  
SCALE: 15X



SOLDER MASK DETAILS

4214862/A 04/2023

NOTES: (continued)

6. Publication IPC-7351 may have alternate designs.
7. Solder mask tolerances between and around signal pads can vary based on board fabrication site.
8. Vias are optional depending on application, refer to device data sheet. If any vias are implemented, refer to their locations shown on this view. It is recommended that vias under paste be filled, plugged or tented.
9. Size of metal pad may vary due to creepage requirement.

# EXAMPLE STENCIL DESIGN

DGK0008A

<sup>TM</sup> VSSOP - 1.1 mm max height

SMALL OUTLINE PACKAGE



SOLDER PASTE EXAMPLE  
SCALE: 15X

4214862/A 04/2023

NOTES: (continued)

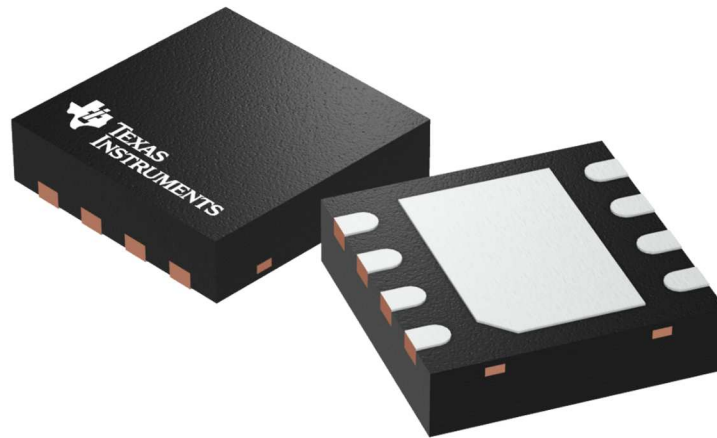
11. Laser cutting apertures with trapezoidal walls and rounded corners may offer better paste release. IPC-7525 may have alternate design recommendations.
12. Board assembly site may have different recommendations for stencil design.

**DRB 8**

**GENERIC PACKAGE VIEW**

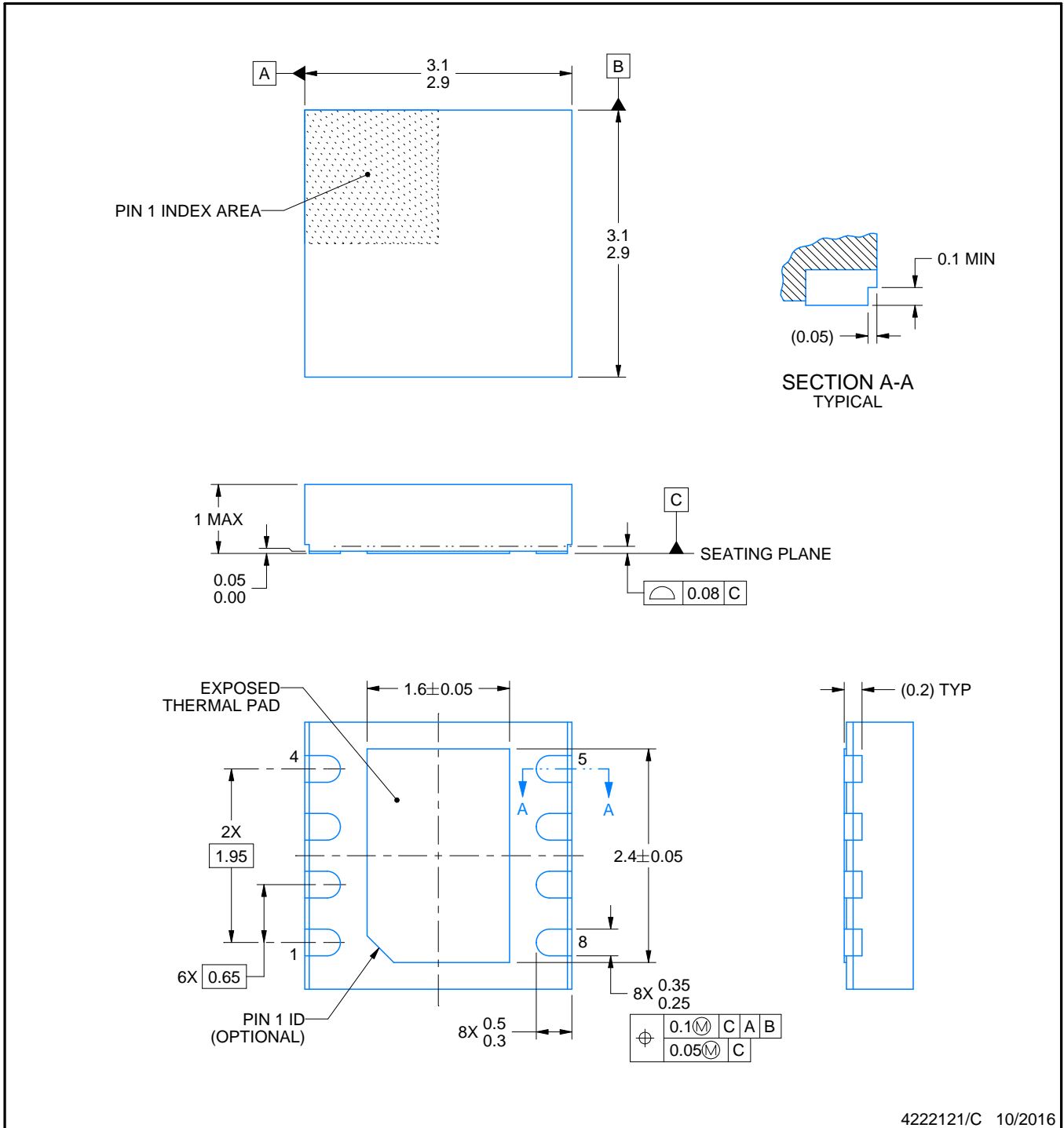
**VSON - 1 mm max height**

PLASTIC SMALL OUTLINE - NO LEAD



Images above are just a representation of the package family, actual package may vary.  
Refer to the product data sheet for package details.

4203482/L



4222121/C 10/2016

NOTES:

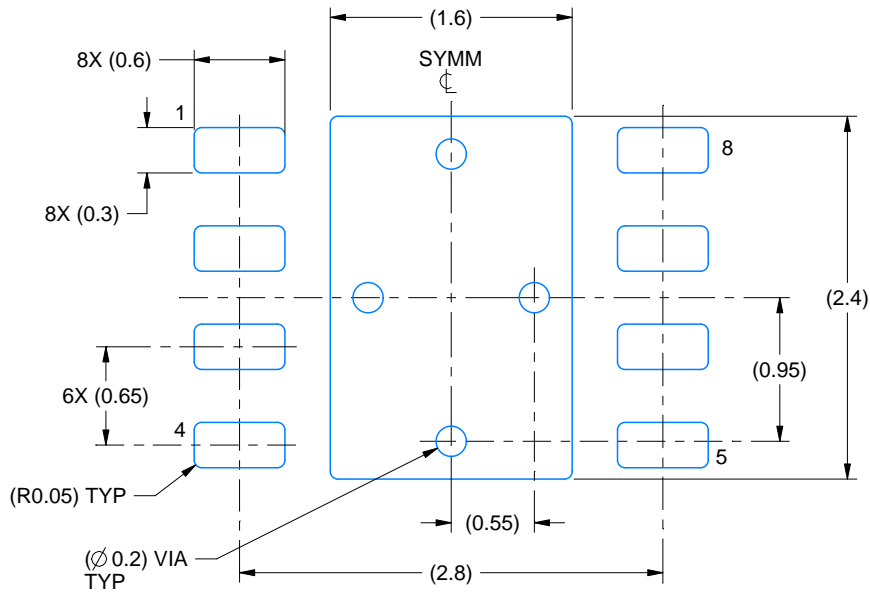
1. All linear dimensions are in millimeters. Any dimensions in parenthesis are for reference only. Dimensioning and tolerancing per ASME Y14.5M.
2. This drawing is subject to change without notice.
3. The package thermal pad must be soldered to the printed circuit board for thermal and mechanical performance.

# EXAMPLE BOARD LAYOUT

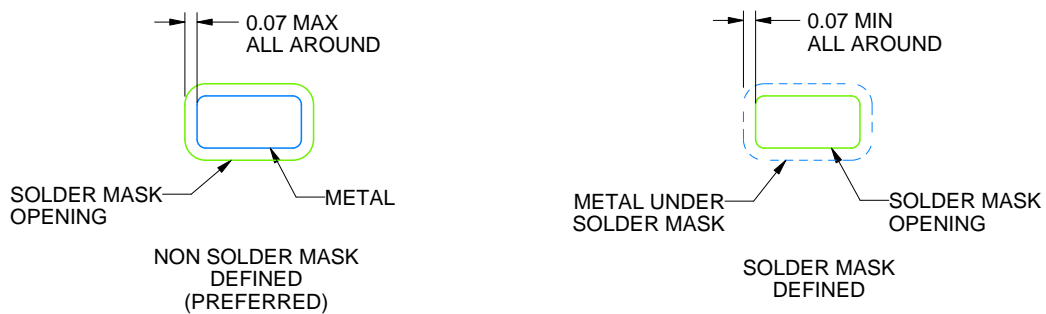
DRB0008F

VSON - 1 mm max height

PLASTIC SMALL OUTLINE - NO LEAD



LAND PATTERN EXAMPLE  
SCALE:20X



SOLDER MASK DETAILS

4222121/C 10/2016

NOTES: (continued)

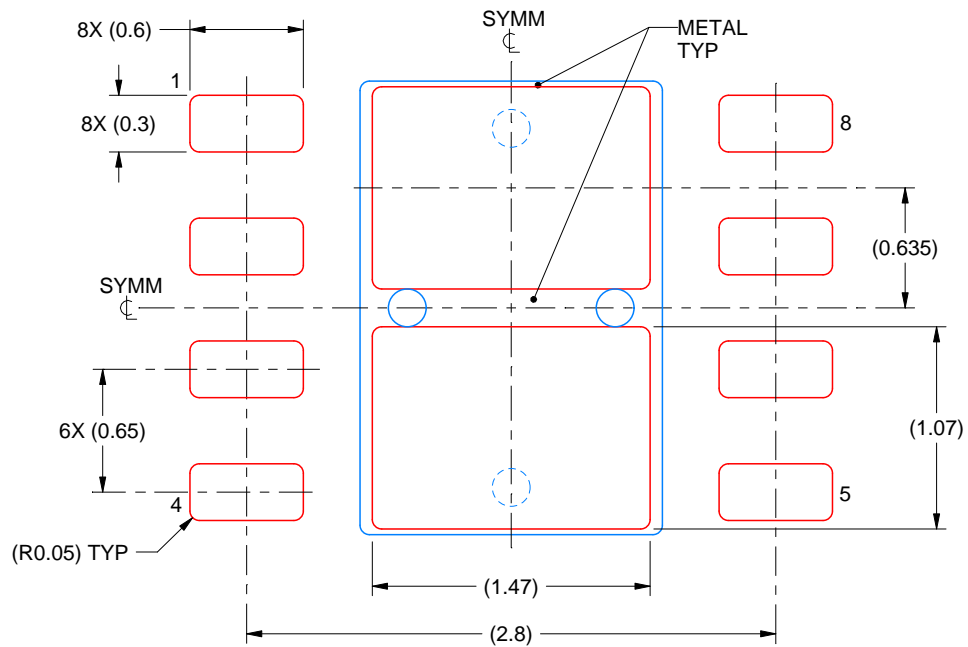
4. This package is designed to be soldered to a thermal pad on the board. For more information, see Texas Instruments literature number SLUA271 ([www.ti.com/lit/sluea271](http://www.ti.com/lit/sluea271)).
5. Vias are optional depending on application, refer to device data sheet. If any vias are implemented, refer to their locations shown on this view. It is recommended that vias under paste be filled, plugged or tented.

# EXAMPLE STENCIL DESIGN

DRB0008F

VSON - 1 mm max height

PLASTIC SMALL OUTLINE - NO LEAD



SOLDER PASTE EXAMPLE  
BASED ON 0.125 mm THICK STENCIL  
EXPOSED PAD  
82% PRINTED SOLDER COVERAGE BY AREA  
SCALE:25X

4222121/C 10/2016

NOTES: (continued)

6. Laser cutting apertures with trapezoidal walls and rounded corners may offer better paste release. IPC-7525 may have alternate design recommendations.



# D0014A

# PACKAGE OUTLINE

## SOIC - 1.75 mm max height

SMALL OUTLINE INTEGRATED CIRCUIT



4220718/A 09/2016

### NOTES:

1. All linear dimensions are in millimeters. Dimensions in parenthesis are for reference only. Dimensioning and tolerancing per ASME Y14.5M.
2. This drawing is subject to change without notice.
3. This dimension does not include mold flash, protrusions, or gate burrs. Mold flash, protrusions, or gate burrs shall not exceed 0.15 mm, per side.
4. This dimension does not include interlead flash. Interlead flash shall not exceed 0.43 mm, per side.
5. Reference JEDEC registration MS-012, variation AB.

# EXAMPLE BOARD LAYOUT

D0014A

SOIC - 1.75 mm max height

SMALL OUTLINE INTEGRATED CIRCUIT



LAND PATTERN EXAMPLE  
SCALE:8X



SOLDER MASK DETAILS

4220718/A 09/2016

NOTES: (continued)

- 6. Publication IPC-7351 may have alternate designs.
- 7. Solder mask tolerances between and around signal pads can vary based on board fabrication site.

# EXAMPLE STENCIL DESIGN

D0014A

SOIC - 1.75 mm max height

SMALL OUTLINE INTEGRATED CIRCUIT



SOLDER PASTE EXAMPLE  
BASED ON 0.125 mm THICK STENCIL  
SCALE:8X

4220718/A 09/2016

NOTES: (continued)

8. Laser cutting apertures with trapezoidal walls and rounded corners may offer better paste release. IPC-7525 may have alternate design recommendations.
9. Board assembly site may have different recommendations for stencil design.

# DGS0010A



# PACKAGE OUTLINE

## VSSOP - 1.1 mm max height

SMALL OUTLINE PACKAGE



4221984/A 05/2015

### NOTES:

1. All linear dimensions are in millimeters. Any dimensions in parenthesis are for reference only. Dimensioning and tolerancing per ASME Y14.5M.
2. This drawing is subject to change without notice.
3. This dimension does not include mold flash, protrusions, or gate burrs. Mold flash, protrusions, or gate burrs shall not exceed 0.15 mm per side.
4. This dimension does not include interlead flash. Interlead flash shall not exceed 0.25 mm per side.
5. Reference JEDEC registration MO-187, variation BA.

# EXAMPLE BOARD LAYOUT

DGS0010A

VSSOP - 1.1 mm max height

SMALL OUTLINE PACKAGE



LAND PATTERN EXAMPLE  
SCALE:10X



SOLDER MASK DETAILS  
NOT TO SCALE

4221984/A 05/2015

NOTES: (continued)

- 6. Publication IPC-7351 may have alternate designs.
- 7. Solder mask tolerances between and around signal pads can vary based on board fabrication site.

# EXAMPLE STENCIL DESIGN

DGS0010A

VSSOP - 1.1 mm max height

SMALL OUTLINE PACKAGE



SOLDER PASTE EXAMPLE  
BASED ON 0.125 mm THICK STENCIL  
SCALE:10X

4221984/A 05/2015

NOTES: (continued)

8. Laser cutting apertures with trapezoidal walls and rounded corners may offer better paste release. IPC-7525 may have alternate design recommendations.
9. Board assembly site may have different recommendations for stencil design.



D0008A

# PACKAGE OUTLINE

SOIC - 1.75 mm max height

SMALL OUTLINE INTEGRATED CIRCUIT



4214825/C 02/2019

## NOTES:

- Linear dimensions are in inches [millimeters]. Dimensions in parenthesis are for reference only. Controlling dimensions are in inches. Dimensioning and tolerancing per ASME Y14.5M.
- This drawing is subject to change without notice.
- This dimension does not include mold flash, protrusions, or gate burrs. Mold flash, protrusions, or gate burrs shall not exceed  $.006$  [0.15] per side.
- This dimension does not include interlead flash.
- Reference JEDEC registration MS-012, variation AA.

# EXAMPLE BOARD LAYOUT

D0008A

SOIC - 1.75 mm max height

SMALL OUTLINE INTEGRATED CIRCUIT



LAND PATTERN EXAMPLE  
 EXPOSED METAL SHOWN  
 SCALE:8X



SOLDER MASK DETAILS

4214825/C 02/2019

NOTES: (continued)

- 6. Publication IPC-7351 may have alternate designs.
- 7. Solder mask tolerances between and around signal pads can vary based on board fabrication site.

# EXAMPLE STENCIL DESIGN

D0008A

SOIC - 1.75 mm max height

SMALL OUTLINE INTEGRATED CIRCUIT



SOLDER PASTE EXAMPLE  
BASED ON .005 INCH [0.125 MM] THICK STENCIL  
SCALE:8X

4214825/C 02/2019

NOTES: (continued)

8. Laser cutting apertures with trapezoidal walls and rounded corners may offer better paste release. IPC-7525 may have alternate design recommendations.
9. Board assembly site may have different recommendations for stencil design.

## IMPORTANT NOTICE AND DISCLAIMER

TI PROVIDES TECHNICAL AND RELIABILITY DATA (INCLUDING DATASHEETS), DESIGN RESOURCES (INCLUDING REFERENCE DESIGNS), APPLICATION OR OTHER DESIGN ADVICE, WEB TOOLS, SAFETY INFORMATION, AND OTHER RESOURCES "AS IS" AND WITH ALL FAULTS, AND DISCLAIMS ALL WARRANTIES, EXPRESS AND IMPLIED, INCLUDING WITHOUT LIMITATION ANY IMPLIED WARRANTIES OF MERCHANTABILITY, FITNESS FOR A PARTICULAR PURPOSE OR NON-INFRINGEMENT OF THIRD PARTY INTELLECTUAL PROPERTY RIGHTS.

These resources are intended for skilled developers designing with TI products. You are solely responsible for (1) selecting the appropriate TI products for your application, (2) designing, validating and testing your application, and (3) ensuring your application meets applicable standards, and any other safety, security, regulatory or other requirements.

These resources are subject to change without notice. TI grants you permission to use these resources only for development of an application that uses the TI products described in the resource. Other reproduction and display of these resources is prohibited. No license is granted to any other TI intellectual property right or to any third party intellectual property right. TI disclaims responsibility for, and you fully indemnify TI and its representatives against any claims, damages, costs, losses, and liabilities arising out of your use of these resources.

TI's products are provided subject to [TI's Terms of Sale](#), [TI's General Quality Guidelines](#), or other applicable terms available either on [ti.com](http://ti.com) or provided in conjunction with such TI products. TI's provision of these resources does not expand or otherwise alter TI's applicable warranties or warranty disclaimers for TI products. Unless TI explicitly designates a product as custom or customer-specified, TI products are standard, catalog, general purpose devices.

TI objects to and rejects any additional or different terms you may propose.

Copyright © 2026, Texas Instruments Incorporated

Last updated 10/2025