

# TL103Wx Dual Operational Amplifiers With Internal Reference

## 1 Features

- New [TL103WB](#), a pin-compatible upgrade to the TL103W and TL103WA
- Improved specifications of B version amplifiers:
  - Supply range: 3V to 36V
  - Low maximum input offset voltage:  $\pm 2\text{mV}$  ( $25^\circ\text{C}$ ) and  $\pm 2.5\text{mV}$  (full temperature)
  - Gain bandwidth: 1.2MHz
  - Total supply current:  $550\mu\text{A}$
  - EMI rejection: integrated RF and EMI filter
  - Temperature range:  $-40^\circ\text{C}$  to  $125^\circ\text{C}$
- Improved specifications of B version reference:
  - Fixed 2.5V reference
  - Tight tolerance maximum of 0.44% ( $25^\circ\text{C}$ ) and 1.04% (full temperature)
  - Wide sink-current range: 0.2mA (typical) to 100mA

## 2 Applications

- [Battery chargers](#)
- Switch-mode power supplies
- Linear voltage regulation
- [Data-acquisition systems](#)
- Precision constant current sink

## 3 Description

The TL103Wx devices combine the building blocks of a dual operational amplifier and a fixed voltage reference – both of which are often used in the control circuitry of switch-mode and linear power supplies. OP AMP1 has the noninverting input internally tied to a fixed 2.5V reference, while OP AMP2 is independent, with both inputs uncommitted.

The upgraded TL103WB features improvements such as a wider supply range (up to 36V), lower supply current ( $275\mu\text{A}/\text{amp}$ ) and tighter voltage regulation. This regulation can be achieved through low offset voltages for both operational amplifiers (0.3mV typical) and tight tolerances for the voltage reference (0.44% at  $25^\circ\text{C}$  and 1.04% over operating temperature range).

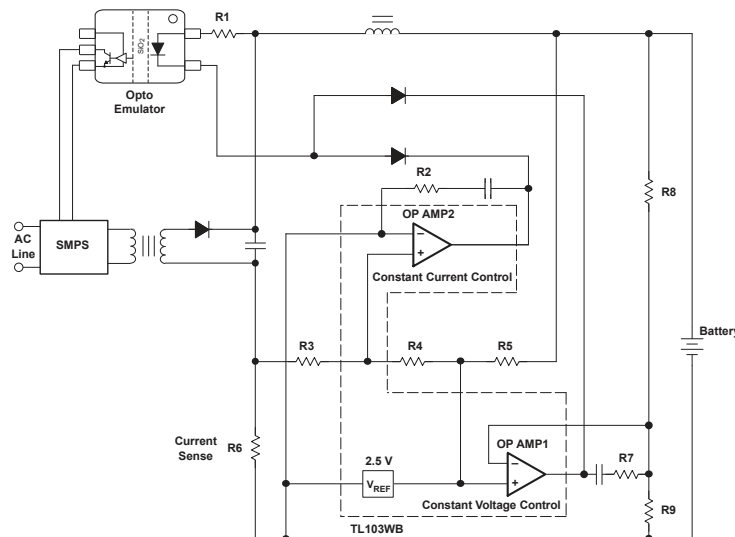
The TL103WB has a widened temperature range of  $-40^\circ\text{C}$  to  $125^\circ\text{C}$ .

### Package Information

PART NUMBER	CHANNEL COUNT	PACKAGE <sup>(1)</sup>	PACKAGE SIZE <sup>(2)</sup>
TL103W TL103WA	Dual + Reference	D (SOIC, 8)	4.9mm × 6mm
TL103WB		D (SOIC, 8)	4.9mm × 6mm
		DDF (SOT-23, 8)	2.9mm × 2.8mm

(1) For more information, see [Section 10](#).

(2) The package size (length × width) is a nominal value and includes pins, where applicable.



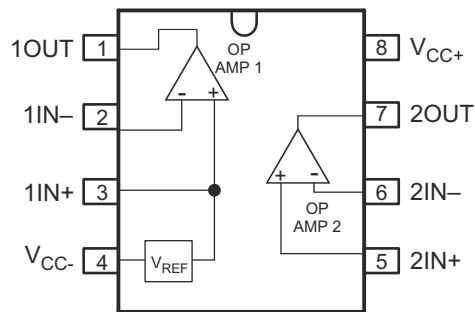
Typical Application Circuit



## Table of Contents

<b>1 Features</b> .....	1	6.3 Feature Description.....	12
<b>2 Applications</b> .....	1	6.4 Device Functional Modes.....	13
<b>3 Description</b> .....	1	<b>7 Application and Implementation</b> .....	14
<b>4 Pin Configuration and Functions</b> .....	3	7.1 Application Information.....	14
<b>5 Specifications</b> .....	4	7.2 Typical Applications.....	14
5.1 Absolute Maximum Ratings.....	4	7.3 Power Supply Recommendations.....	17
5.2 ESD Ratings.....	4	7.4 Layout.....	17
5.3 Recommended Operating Conditions.....	4	<b>8 Device and Documentation Support</b> .....	19
5.4 Thermal Information.....	5	8.1 Documentation Support.....	19
5.5 Electrical Characteristics: OP AMP1 ( $V_{REF}$ at Noninverting input).....	5	8.2 Receiving Notification of Documentation Updates....	19
5.6 Electrical Characteristics: OP AMP2 (Independent Amplifier).....	6	8.3 Support Resources.....	19
5.7 Typical Characteristics: TL103WB.....	8	8.4 Trademarks.....	19
<b>6 Detailed Description</b> .....	12	8.5 Electrostatic Discharge Caution.....	19
6.1 Overview.....	12	8.6 Glossary.....	19
6.2 Functional Block Diagram.....	12	<b>9 Revision History</b> .....	19
		<b>10 Mechanical, Packaging, and Orderable Information</b> .....	21

## 4 Pin Configuration and Functions



**Figure 4-1. D and DDF Packages,  
 8-Pin SOIC and SOT-23-THN  
 (Top View)**

**Table 4-1. Pin Functions**

PIN		TYPE <sup>(1)</sup>	DESCRIPTION
NAME	NO.		
1OUT	1	O	Opamp 1 output
1IN-	2	I	Opamp 1 inverting input
1IN+	3	I	Opamp 1 non-inverting input and Shunt reference cathode terminal
V <sub>CC-</sub>	4	I	Negative Supply Voltage
2IN+	5	I	Opamp 2 non-inverting input
2IN-	6	I	Opamp 2 inverting input
2OUT	7	O	Opamp 2 output
V <sub>CC+</sub>	8	I	Positive Supply Voltage

(1) I = input, O = output

## 5 Specifications

### 5.1 Absolute Maximum Ratings

over operating free-air temperature range (unless otherwise noted)<sup>(1)</sup>

			MIN	MAX	UNIT
V <sub>CC±</sub>	Supply voltage	TL103W/TL103WA	0	36	V
		TL103WB	0	40	
V <sub>ID</sub>	Operational amplifier input differential voltage			36	V
V <sub>I</sub>	Operational amplifier input voltage range <sup>(2)</sup>		(V <sub>CC-</sub> ) - 0.3	V <sub>CC+</sub>	V
I <sub>KA</sub>	Voltage reference cathode current			100	mA
T <sub>J</sub>	Maximum junction temperature			150	°C
T <sub>stg</sub>	Storage temperature range		-65	150	°C

- (1) Stresses beyond those listed under *Absolute Maximum Rating* may cause permanent damage to the device. These are stress ratings only, which do not imply functional operation of the device at these or any other conditions beyond those indicated under *Recommended Operating Condition*. Exposure to absolute-maximum-rated conditions for extended periods may affect device reliability.
- (2) Not applicable to pin 4 (1IN+)

### 5.2 ESD Ratings

			VALUE	UNIT
V <sub>(ESD)</sub>	Electrostatic discharge	Human body model (HBM), per ANSI/ESDA/JEDEC JS-001 <sup>(1)</sup>	±2500	V
		Charged device model (CDM), per JEDEC specification JESD22-C101 <sup>(2)</sup>	±1000	

- (1) JEDEC document JEP155 states that 500V HBM allows safe manufacturing with a standard ESD control process.
- (2) JEDEC document JEP157 states that 250V CDM allows safe manufacturing with a standard ESD control process.

### 5.3 Recommended Operating Conditions

over operating free-air temperature range (unless otherwise noted)

			MIN	MAX	UNIT
V <sub>CC±</sub>	Supply voltage	TL103W/TL103WA	3	32	V
		TL103WB	3	36	
V <sub>ICR</sub>	Input common-mode voltage range		V <sub>CC-</sub>	(V <sub>CC+</sub> ) - 2	V
I <sub>K</sub>	Cathode current	TL103W/TL103WA	0.5	100	mA
		TL103WB	0.2	100	
T <sub>A</sub>	Operating free-air temperature	TL103W/TL103WA	-40	105	°C
		TL103WB	-40	125	

## 5.4 Thermal Information

THERMAL METRIC <sup>(1)</sup>		TL103Wx		UNIT
		SOIC (D)	SOT-23 (DDF)	
		8 PINS	8 PINS	
R <sub>θJA</sub>	Junction-to-ambient thermal resistance	135.4	170.1	°C/W
R <sub>θJC(top)</sub>	Junction-to-case (top) thermal resistance	77.3	89.7	°C/W
R <sub>θJB</sub>	Junction-to-board thermal resistance	78.9	87.5	°C/W
Ψ <sub>JT</sub>	Junction-to-top characterization parameter	27.4	7.5	°C/W
Ψ <sub>JB</sub>	Junction-to-board characterization parameter	78.1	87.3	°C/W
R <sub>θJC(bot)</sub>	Junction-to-case (bottom) thermal resistance	–	–	°C/W

(1) For more information about traditional and new thermal metrics, see the [Semiconductor and IC Package Thermal Metrics](#) application report.

## 5.5 Electrical Characteristics: OP AMP1 (V<sub>REF</sub> at Noninverting input)

V<sub>CC+</sub> = 5V, V<sub>CC-</sub> = GND, T<sub>A</sub> = 25°C (unless otherwise noted)

PARAMETER		TEST CONDITIONS		T <sub>A</sub>	MIN	TYP	MAX	UNIT	
<b>AMPLIFIER</b>									
V <sub>IO</sub>	Input offset voltage	V <sub>ICM</sub> = 0V	TL103W			±1	±4	mV	
				Full range			±5		
			TL103WA			±0.5	±3.0		
				Full range			±5		
TL103WB			±0.3	±2					
	Full range			±2.5					
αV <sub>IO</sub>	Input offset-voltage drift		TL103W/TL103WA	Full range		±7		μV/°C	
			TL103WB	Full range		±2			
I <sub>IB</sub>	Input bias current (negative input)		TL103W/TL103WA			-20		nA	
			TL103WB			-15			
A <sub>VD</sub>	Large-signal voltage gain	V <sub>CC+</sub> = 15V, R <sub>L</sub> = 2kΩ, V <sub>ICM</sub> = 0V	TL103W/TL103WA			100		V/mV	
			TL103WB			210			
PSRR	Supply-voltage rejection ratio	V <sub>CC+</sub> = 5V to 30V, V <sub>ICM</sub> = 0V	TL103W/TL103WA		65	100		dB	
			TL103WB		99	114			
I <sub>O</sub>	Output current	V <sub>CC+</sub> = 15V, V <sub>O</sub> = 2V, V <sub>ID</sub> = 1V	Source		20	40		mA	
			Sink	TL103W/TL103WA		10	12		
		V <sub>CC+</sub> = 15V, V <sub>O</sub> = 0.2V, V <sub>ID</sub> = -1V	Sink	TL103W/TL103WA		12	50		μA
			TL103WB		60	100			
I <sub>sc</sub>	Short-circuit to GND	V <sub>CC+</sub> = 15V				±40	±68	mA	
V <sub>O</sub>	Voltage output swing from rail	V <sub>CC+</sub> = 30V, R <sub>L</sub> = 2kΩ	Positive Rail (V <sub>CC+</sub> )	TL103W/TL103WA		26	27	V	
				Full range		26			
		TL103WB			27.4	28.3			
			Full range		27.4				
		V <sub>CC+</sub> = 30V, R <sub>L</sub> = 10kΩ	Positive Rail (V <sub>CC+</sub> )	TL103W/TL103WA		27	28		
				Full range		27			
TL103WB			27.6	28.6					
	Full range		27.6						
R <sub>L</sub> = 10kΩ	Negative Rail (V <sub>CC-</sub> )			5	20				
		Full range			20				
SR	Slew rate at unity gain	V <sub>CC+</sub> = 15V, C <sub>L</sub> = 100pF, R <sub>L</sub> = 2kΩ, V <sub>I</sub> = 0.5V to 2V, unity gain	TL103W/TL103WA		0.2	0.4		V/μs	
			TL103WB		0.2	0.5			
GBW	Gain bandwidth product	V <sub>CC+</sub> = 30V, V <sub>I</sub> = 10mV, C <sub>L</sub> = 100pF, R <sub>L</sub> = 2kΩ, f = 100kHz	TL103W/TL103WA		0.5 <sup>(1)</sup>	0.9		MHz	
		V <sub>CC+</sub> = 36V, V <sub>I</sub> = 10mV, C <sub>L</sub> = 100pF, R <sub>L</sub> = 2kΩ, f = 100kHz	TL103WB		0.7 <sup>(1)</sup>	1.2			

### 5.5 Electrical Characteristics: OP AMP1 (V<sub>REF</sub> at Noninverting input) (continued)

V<sub>CC+</sub> = 5V, V<sub>CC-</sub> = GND, T<sub>A</sub> = 25°C (unless otherwise noted)

PARAMETER		TEST CONDITIONS		T <sub>A</sub>	MIN	TYP	MAX	UNIT
THD	Total harmonic distortion	V <sub>CC+</sub> = 30V, V <sub>O</sub> = 2V <sub>PP</sub> , C <sub>L</sub> = 100pF, R <sub>L</sub> = 2kΩ, f = 1kHz, A <sub>V</sub> = 20dB	TL103W/TL103WA			0.02		%
		V <sub>CC+</sub> = 36V, V <sub>O</sub> = 2V <sub>PP</sub> , C <sub>L</sub> = 100pF, R <sub>L</sub> = 2kΩ, f = 1kHz, A <sub>V</sub> = 20dB	TL103WB			0.005		
I <sub>CC</sub>	Total supply current, excluding cathode-current reference (both amplifiers)	V <sub>CC+</sub> = 5V, no load	TL103W/TL103WA	Full range		0.7	1.2	mA
		V <sub>CC+</sub> = 30V, no load					2	
		V <sub>CC+</sub> = 5V, no load	TL103WB	Full range		0.55	0.77	
		V <sub>CC+</sub> = 36V, no load					1.35	
<b>VOLTAGE REFERENCE</b>								
V <sub>ref</sub>	Reference Voltage	I <sub>K</sub> = 10mA	TL103W		2.482	2.5	2.518	V
				Full Range		2.465		2.535
			TL103WA/TL103WB		2.489	2.5	2.511	V
				Full Range		2.474		2.526
ΔV <sub>ref</sub>	Reference input voltage deviation over temperature range	I <sub>K</sub> = 10mA	TL103W	Full Range		7	35 <sup>(1)</sup>	mV
			TL103WA/TL103WB	Full Range		7	26 <sup>(1)</sup>	mV
I <sub>min</sub>	Minimum cathode current for regulation		TL103W/TL103Wx			0.5	1	mA
			TL103WB			0.2	1	
Z <sub>KA</sub>	Dynamic impedance	I <sub>KA</sub> = 1mA to 100mA, f < 1kHz				0.45	0.8	Ω

(1) Not tested in production, limits set by characterization and simulation.

### 5.6 Electrical Characteristics: OP AMP2 (Independent Amplifier)

V<sub>CC+</sub> = 5V, V<sub>CC-</sub> = GND, T<sub>A</sub> = 25°C (unless otherwise noted)

PARAMETER		TEST CONDITIONS		T <sub>A</sub>	MIN	TYP	MAX	UNIT
V <sub>IO</sub>	Input offset voltage	V <sub>ICM</sub> = 0V	TL103W			±1	±4	mV
				Full range			±5	
			TL103WA			±0.5	±3.0	
				Full range			±5	
TL103WB			±0.3	±2				
	Full range			±2.5				
αV <sub>IO</sub>	Input offset-voltage drift		TL103W/TL103WA	Full range		±7		μV/°C
			TL103WB	Full range		±2		
I <sub>IO</sub>	Input offset current		TL103W/TL103WA			±2	±75	nA
				Full range			±150	
			TL103WB			±0.5	±4	
TL103WB			Full range			±5		
	I <sub>IB</sub>	Input bias current	TL103W/TL103WA			-20	-150	nA
Full range						-200		
TL103WB					-15	-35		
TL103WB			Full range			-50		
	A <sub>VD</sub>	Large-signal voltage gain	V <sub>CC+</sub> = 15V, R <sub>L</sub> = 2kΩ, V <sub>O</sub> = 1.4V to 11.4V	TL103W/TL103WA		50	100	V/mV
Full range						25	100	
TL103WB					77	210		
				Full range		45	210	
PSRR	Supply-voltage rejection ratio	V <sub>CC+</sub> = 5V to 30V	TL103W/TL103WA		65	100	dB	
			TL103WB		99	114		
V <sub>ICR</sub>	Input common-mode voltage range	V <sub>CC+</sub> = 30V			V <sub>CC-</sub>	(V <sub>CC+</sub> ) - 1.5	V	
				Full range	V <sub>CC-</sub>	(V <sub>CC+</sub> ) - 2		
CMRR	Common-mode rejection ratio	V <sub>CC+</sub> = 30V	TL103W/TL103WA		70	95	dB	
				Full range		60		
			TL103WB		93	104		
				Full range		70		

## 5.6 Electrical Characteristics: OP AMP2 (Independent Amplifier) (continued)

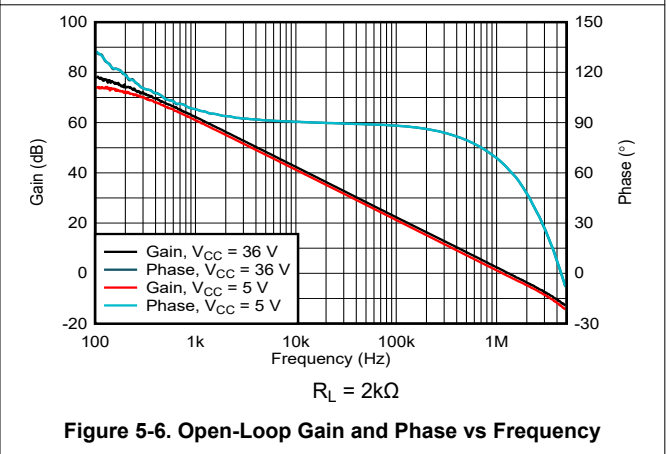
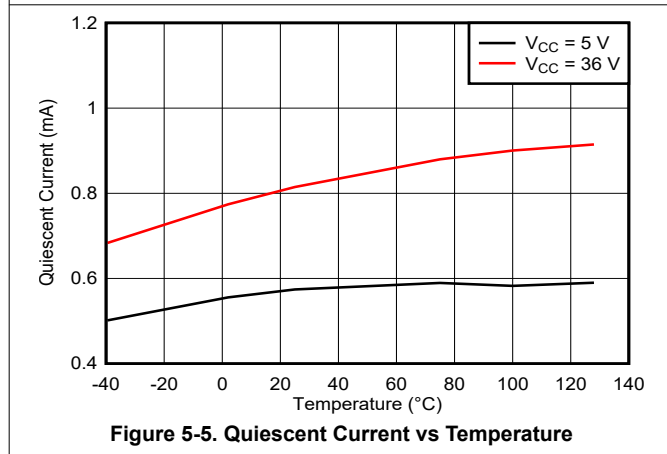
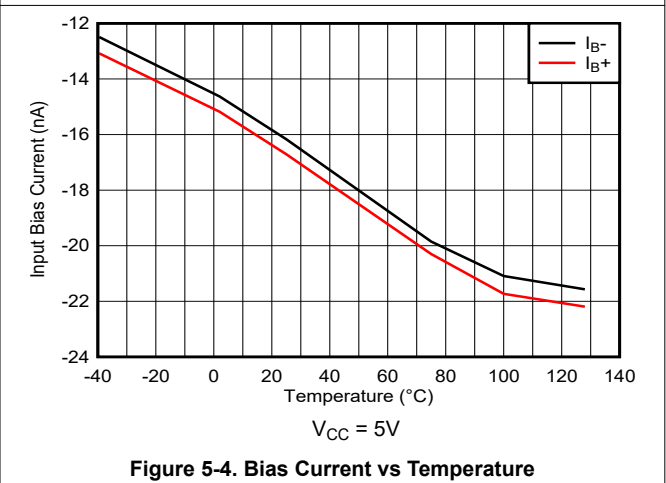
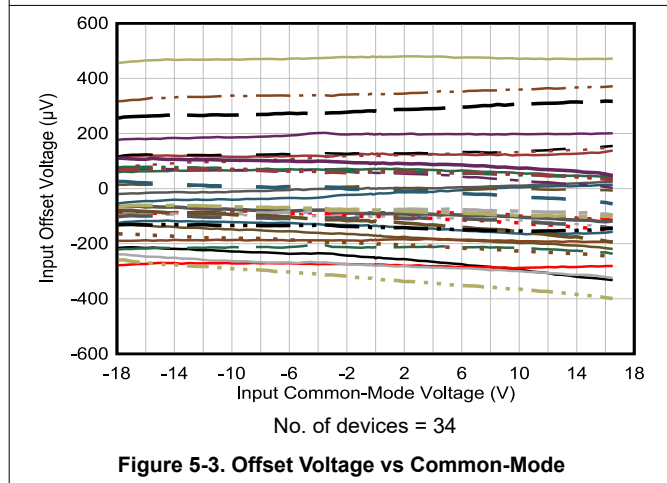
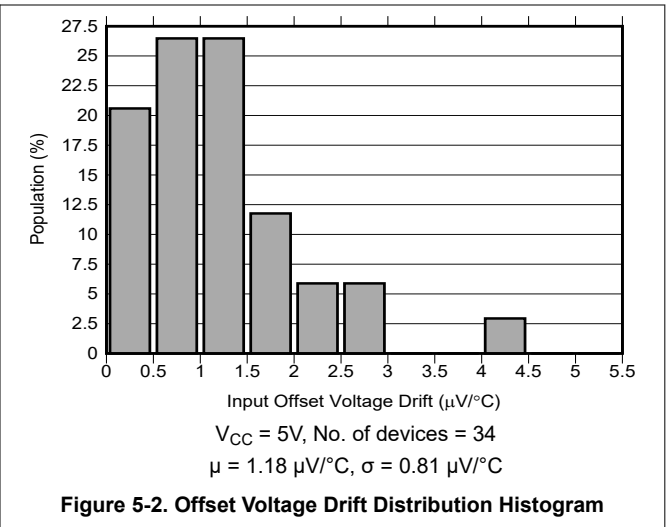
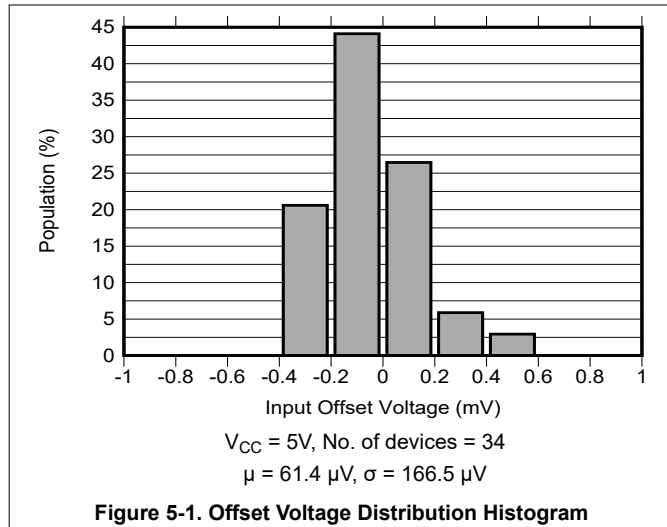
 $V_{CC+} = 5V, V_{CC-} = GND, T_A = 25^{\circ}C$  (unless otherwise noted)

PARAMETER		TEST CONDITIONS		$T_A$	MIN	TYP	MAX	UNIT
$I_O$	Output current	$V_{CC+} = 15V, V_O = 2V, V_{ID} = 1V$	Source		20	40		mA
			Sink	TL103W/TL103WA	10	12		
		$V_{CC+} = 15V, V_O = 0.2V, V_{ID} = -1V$	Sink	TL103W/TL103WA	12	50		$\mu A$
				TL103WB	60	100		
$I_{SC}$	Short-circuit to GND	$V_{CC+} = 15V$			$\pm 40$	$\pm 68$		mA
$V_O$	Voltage output swing from rail	$V_{CC+} = 30V, R_L = 2k\Omega$	Positive Rail ( $V_{CC+}$ )	TL103W/TL103WA	26	27		V
				Full range	26			
		TL103WB	Full range	27.4	28.3			
			Full range	27.4				
		$V_{CC+} = 30V, R_L = 10k\Omega$	Positive Rail ( $V_{CC+}$ )	TL103W/TL103WA	27	28		
				Full range	27			
TL103WB	Full range	27.6	28.6					
	Full range	27.6						
$R_L = 10k\Omega$	Negative Rail ( $V_{CC-}$ )			5	20		mV	
		Full range			20			
SR	Slew rate at unity gain	$V_{CC+} = 15V, C_L = 100pF, R_L = 2k\Omega, V_I = 0.5V$ to 2V, unity gain	TL103W/TL103WA	0.2	0.4		V/ $\mu s$	
			TL103WB	0.2	0.5			
GBW	Gain bandwidth product	$V_{CC+} = 30V, V_I = 10mV, C_L = 100pF, R_L = 2k\Omega, f = 100kHz$	TL103W/TL103WA	0.5 <sup>(1)</sup>	0.9		MHz	
		$V_{CC+} = 36V, V_I = 10mV, C_L = 100pF, R_L = 2k\Omega, f = 100kHz$	TL103WB	0.7 <sup>(1)</sup>	1.2			
THD	Total harmonic distortion	$V_{CC+} = 30V, V_O = 2V_{PP}, C_L = 100pF, R_L = 2k\Omega, f = 1kHz, A_V = 20dB$	TL103W/TL103WA		0.02		%	
		$V_{CC+} = 36V, V_O = 2V_{PP}, C_L = 100pF, R_L = 2k\Omega, f = 1kHz, A_V = 20dB$	TL103WB		0.005			
$V_n$	Equivalent input noise voltage	$V_{CC+} = 30V, R_S = 100\Omega, f = 1kHz$	TL103W/TL103WA		50		nV/ $\sqrt{Hz}$	
		$V_{CC+} = 36V, R_S = 100\Omega, f = 1kHz$	TL103WB		38			
$I_{CC}$	Total supply current, excluding cathode-current reference (both amplifiers)	$V_{CC+} = 5V, \text{no load}$	TL103W/TL103WA		0.7	1.2	mA	
		$V_{CC+} = 30V, \text{no load}$	Full range			2		
		$V_{CC+} = 5V, \text{no load}$	TL103WB		0.55	0.77		
		$V_{CC+} = 36V, \text{no load}$	Full range			1.35		

(1) Not tested in production, limits set by characterization and simulation.

## 5.7 Typical Characteristics: TL103WB

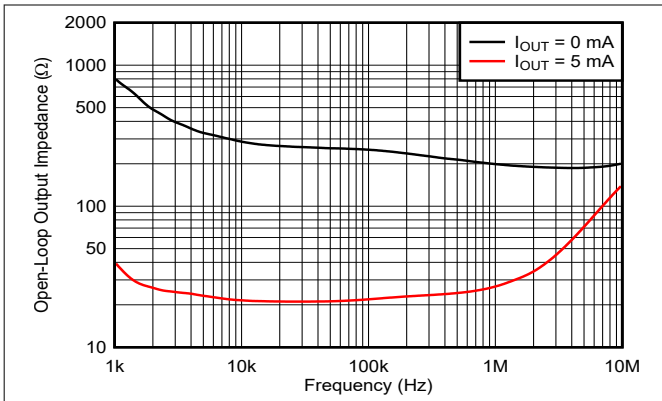
at  $T_A \approx 25^\circ\text{C}$ ,  $V_{CC} = 36\text{V} (\pm 18\text{V})$ ,  $V_{CM} = V_{CC} / 2$ ,  $R_L = 10\text{k}\Omega$  connected to  $V_{CC} / 2$  (unless otherwise noted)



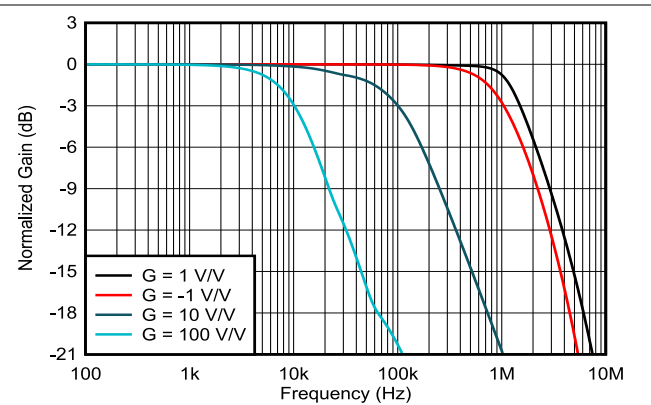


### 5.7 Typical Characteristics: TL103WB (continued)

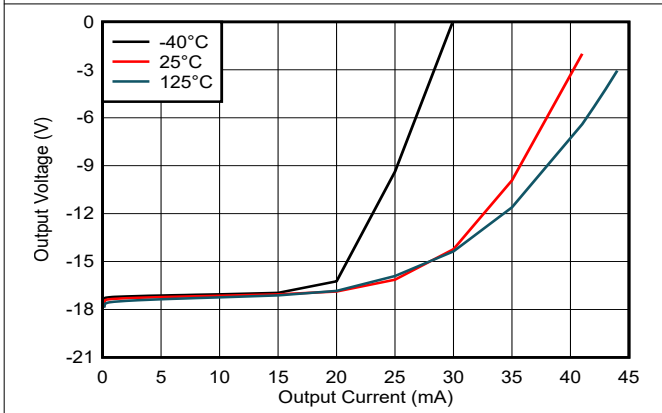
at  $T_A \approx 25^\circ\text{C}$ ,  $V_{CC} = 36\text{V} (\pm 18\text{V})$ ,  $V_{CM} = V_{CC} / 2$ ,  $R_L = 10\text{k}\Omega$  connected to  $V_{CC} / 2$  (unless otherwise noted)



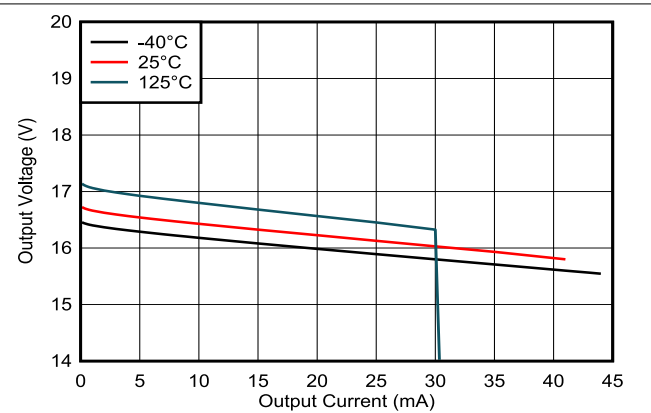
**Figure 5-7. Open-Loop Output Impedance vs Frequency**



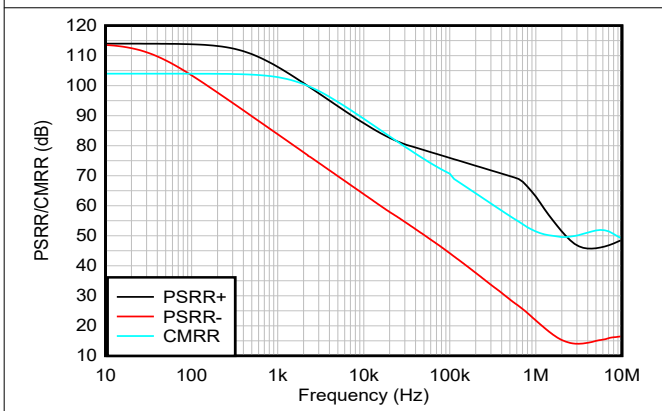
**Figure 5-8. Closed-Loop Gain vs Frequency**



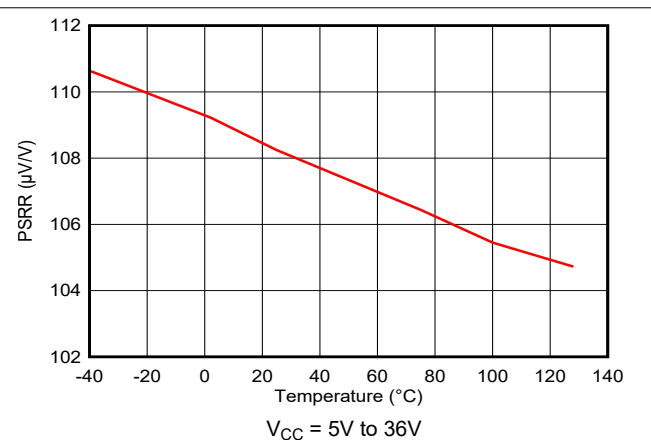
**Figure 5-9. Output Voltage vs Output Current (Sinking)**



**Figure 5-10. Output Voltage vs Output Current (Sourcing)**



**Figure 5-11. PSRR and CMRR vs Frequency**



**Figure 5-12. Supply-Voltage Rejection Ratio vs Temperature**

### 5.7 Typical Characteristics: TL103WB (continued)

at  $T_A \approx 25^\circ\text{C}$ ,  $V_{CC} = 36\text{V} (\pm 18\text{V})$ ,  $V_{CM} = V_{CC} / 2$ ,  $R_L = 10\text{k}\Omega$  connected to  $V_{CC} / 2$  (unless otherwise noted)

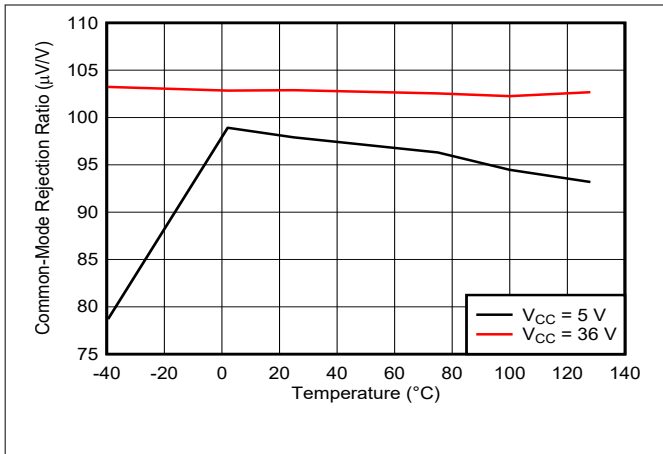


Figure 5-13. CMRR vs Temperature

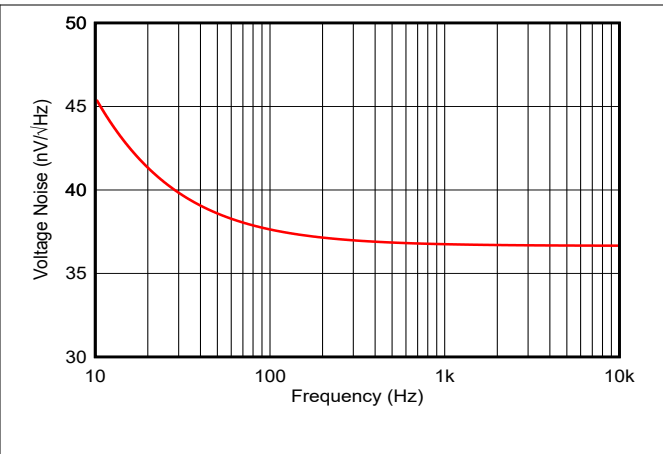


Figure 5-14. Input Voltage Noise Spectral Density vs Frequency

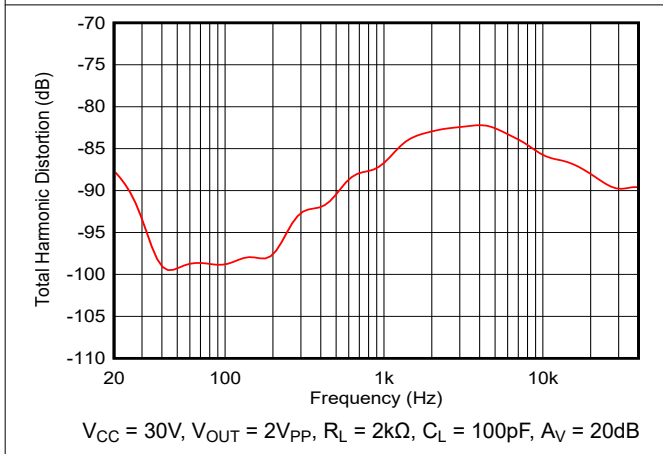


Figure 5-15. Total Harmonic Distortion vs Frequency

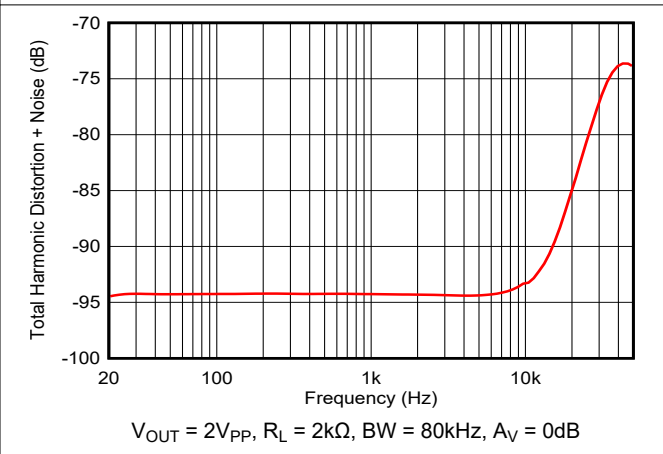


Figure 5-16. Total Harmonic Distortion + Noise vs Frequency

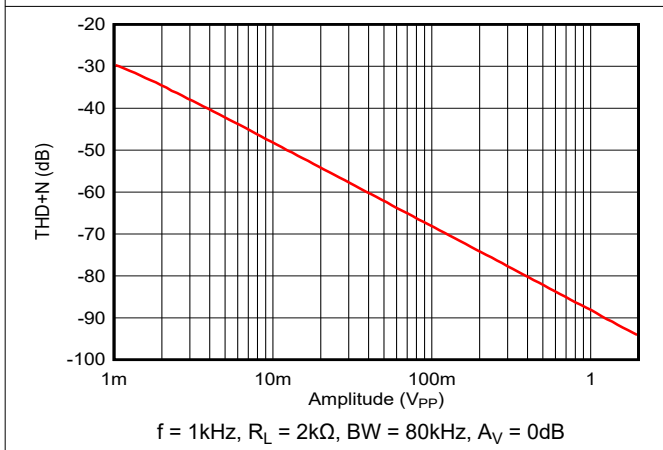


Figure 5-17. Total Harmonic Distortion + Noise vs Amplitude

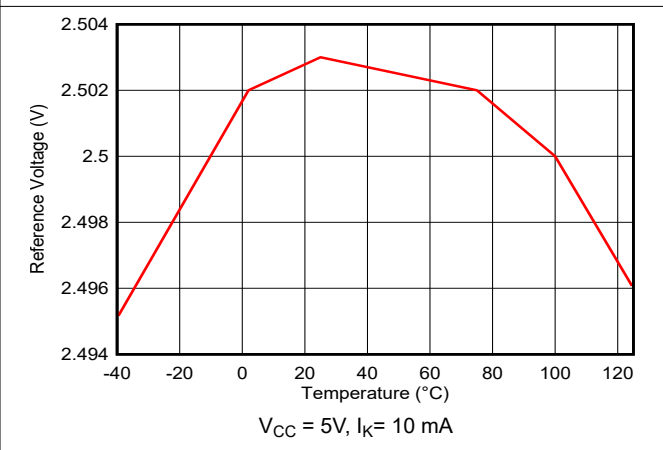
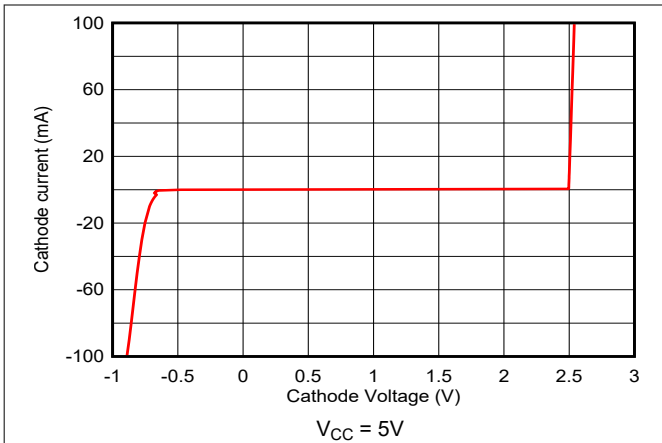


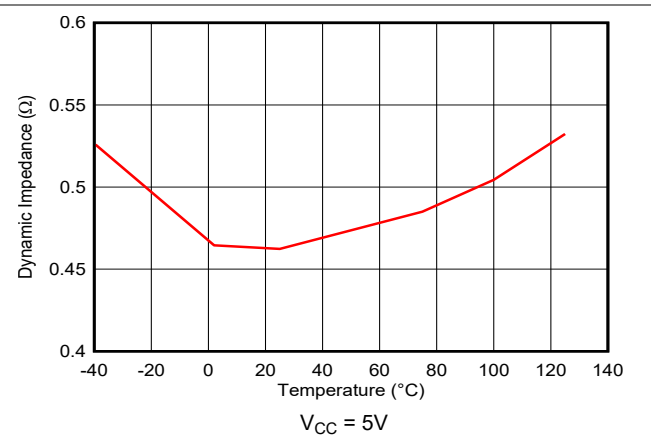
Figure 5-18. Reference Voltage vs Temperature

### 5.7 Typical Characteristics: TL103WB (continued)

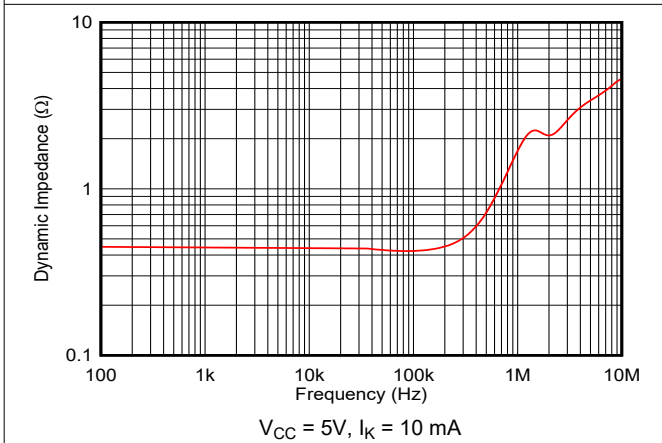
at  $T_A \approx 25^\circ\text{C}$ ,  $V_{CC} = 36\text{V} (\pm 18\text{V})$ ,  $V_{CM} = V_{CC} / 2$ ,  $R_L = 10\text{k}\Omega$  connected to  $V_{CC} / 2$  (unless otherwise noted)



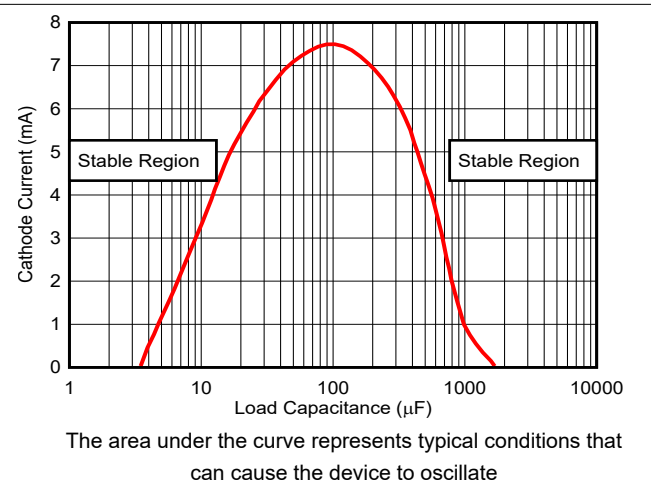
**Figure 5-19. Cathode Current vs Cathode Voltage**



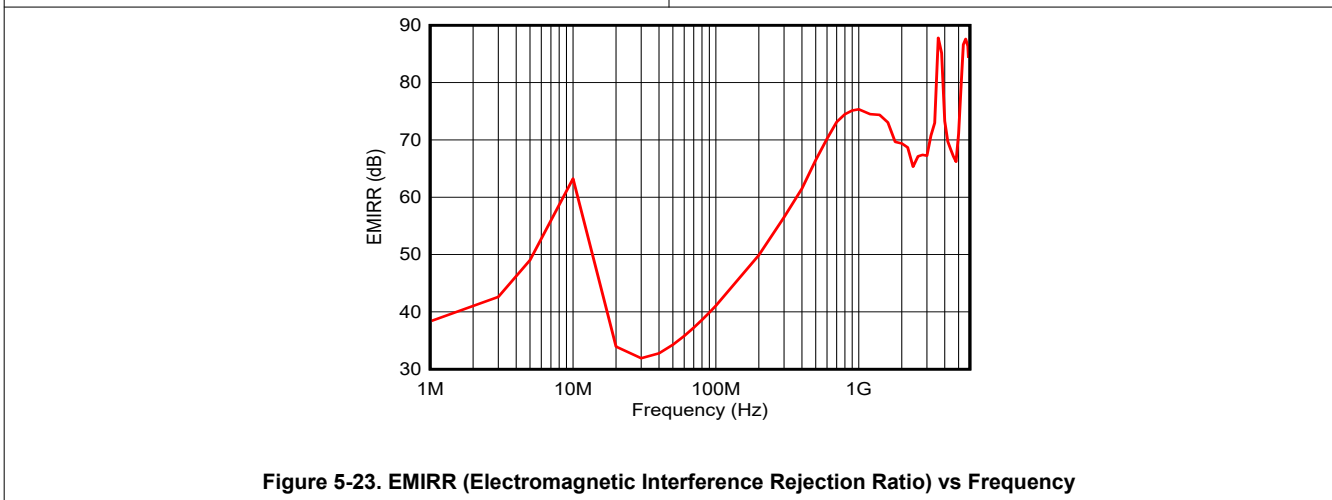
**Figure 5-20. Reference Dynamic Impedance vs Temperature**



**Figure 5-21. Reference Dynamic Impedance vs Frequency**



**Figure 5-22. Reference Stability vs Capacitive Load**



**Figure 5-23. EMIRR (Electromagnetic Interference Rejection Ratio) vs Frequency**

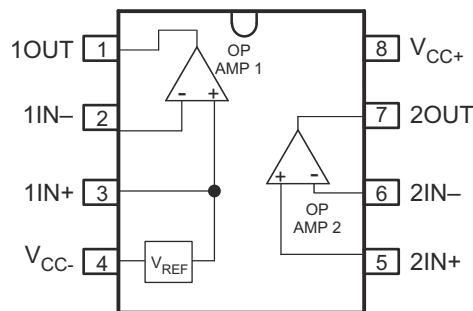
## 6 Detailed Description

### 6.1 Overview

The TL103Wx features two high-voltage amplifiers and a shunt voltage reference to allow for cost-sensitive and compact battery charger CC/CV feedback circuits. The upgraded TL103WB features is designed to provide a wide supply range (up to 36V), low offset voltage ( $\pm 0.3\text{mV}$  typical) and a 1.2MHz bandwidth. The integrated voltage reference is tied to the non-inverting pin of one of OP AMP 1 and provides a fixed 2.5V referenced to the negative supply of the device. The shunt reference of the TL103WA/TL103WB features a tight tolerance of 0.44% at 25°C.

When a single supply voltage of 5V is used (or  $\pm 2.5\text{V}$  split supply), the TL103Wx internal reference allows for a more accurate and power-efficient mid-supply signal to be used throughout your circuit. The TL103W/TL103WA devices are characterized for operation from  $-40^\circ\text{C}$  to  $85^\circ\text{C}$ , the TL103WB devices are characterized for operation from  $-40^\circ\text{C}$  to  $125^\circ\text{C}$ .

### 6.2 Functional Block Diagram



### 6.3 Feature Description

#### 6.3.1 Internal Reference

The TL103Wx family features an internal shunt reference, tied to the non-inverting pin of one of the devices amplifiers. When supplied with enough voltage headroom ( $\geq 2.5\text{V}$ ) and cathode current (0.5mA typical), the reference of the TL103Wx is forced to a fixed 2.5V. To not exceed the maximum cathode current, be sure that the reference input is current limited. Unlike many linear regulators, the reference of the TL103W is internally compensated to be stable without an output capacitor between the cathode and anode. If the reference is used to supply a load, stability criteria shown in [Figure 5-22](#) needs to be met.

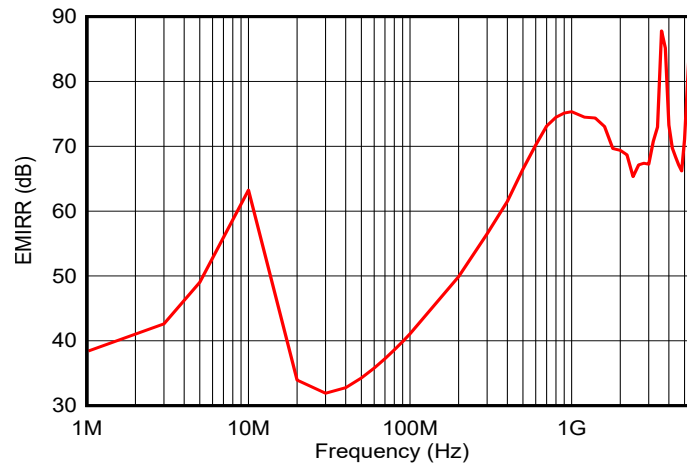
Reference voltage tolerance varies based off the device grade chosen. At 25°C the TL103W features a reference tolerance of 0.72%, while the TL103WA/TL103WB both feature reference tolerances of 0.44%.

#### 6.3.2 Input Common Mode Range

The valid common mode range is from device ground to  $V_{CC+} - 1.5\text{V}$  ( $V_{CC+} - 2\text{V}$  across temperature). Inputs may exceed  $V_{CC+}$  up to the absolute maximum voltage without device damage. At least one input must be in the valid input common-mode range for the output to be the correct phase. If both inputs exceed the valid range, then the output phase is undefined. If either input is more than 0.3V below  $V_{CC-}$  then input current should be limited to 1mA and the output phase is undefined.

### 6.3.3 EMI Rejection

The TL103WB uses integrated electromagnetic interference (EMI) filtering to reduce the effects of EMI from sources such as wireless communications (radio frequency interference - RFI) and densely-populated boards with a mix of analog signal chain and digital components. EMI immunity can be improved with circuit design techniques; the TL103WB benefits from these design improvements. Texas Instruments has developed the ability to accurately measure and quantify the immunity of an operational amplifier over a broad frequency spectrum extending from 10MHz to 6GHz. [Figure 6-1](#) shows the results of this testing on the TL103WB. [Table 6-1](#) shows the EMIRR IN+ values for the TL103WB at particular frequencies commonly encountered in real-world applications. The [EMI Rejection Ratio of Operational Amplifiers application report](#) contains detailed information on the topic of EMIRR performance relating to op amps and is available for download from [www.ti.com](http://www.ti.com).



**Figure 6-1. EMIRR Testing**

**Table 6-1. TL103WB EMIRR IN+ for Frequencies of Interest**

FREQUENCY	APPLICATION OR ALLOCATION	EMIRR IN+
400MHz	Mobile radio, mobile satellite, space operation, weather, radar, ultra-high frequency (UHF) applications	62dB
900MHz	Global system for mobile communications (GSM) applications, radio communication, navigation, GPS (to 1.6GHz), GSM, aeronautical mobile, UHF applications	75dB
1.8GHz	GSM applications, mobile personal communications, broadband, satellite, L-band (1 GHz to 2GHz)	70dB
2.4GHz	802.11b, 802.11g, 802.11n, Bluetooth®, mobile personal communications, industrial, scientific and medical (ISM) radio band, amateur radio and satellite, S-band (2GHz to 4GHz)	65dB
3.6GHz	Radiolocation, aero communication and navigation, satellite, mobile, S-band	88dB
5GHz	802.11a, 802.11n, aero communication and navigation, mobile communication, space and satellite operation, C-band (4GHz to 8GHz)	71dB

### 6.4 Device Functional Modes

This device has one mode of operation that applies when operated within the recommended operating conditions.

## 7 Application and Implementation

### Note

Information in the following applications sections is not part of the TI component specification, and TI does not warrant its accuracy or completeness. TI's customers are responsible for determining suitability of components for their purposes, as well as validating and testing their design implementation to confirm system functionality.

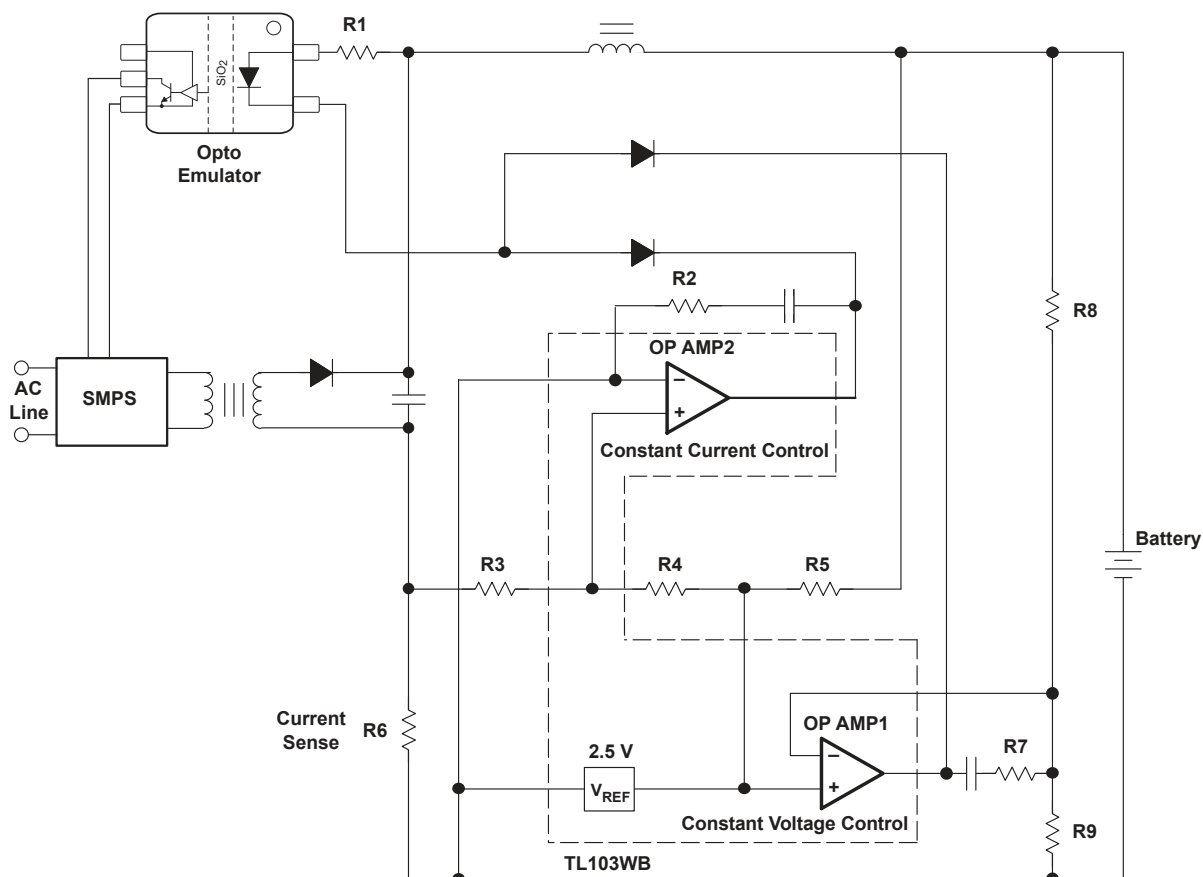
### 7.1 Application Information

The TL103Wx family offers a cost-effective and compact device for applications requiring both an accurate DC signal and signal conditioning. These devices offer a fixed 2.5V reference, wide bandwidth (1 to 1.2 MHz) and a low total supply current (0.55 to 0.7mA).

### 7.2 Typical Applications

#### 7.2.1 Isolated Flyback CC/CV Feedback

As shown in [Figure 7-1](#), the TL103Wx is often used alongside an opto-coupler/opto-emulator to provide feedback to an isolated flyback. Utilizing the TL103Wx in this way allows for both an accurate and cost-optimized battery charger design that can achieve a stable CC/CV (Constant Current/Constant Voltage) charging profile. In this example, a simplified design procedure will be discussed. Additional details can be found in [Designing CC-CV Feedback Circuits With the TL103WB](#).



Typical Application Circuit

### 7.2.1.1 Design Requirements

The objective is to design an accurate CC-CV feedback circuit with the requirements provided in [Table 7-1](#).

**Table 7-1. Design Parameters**

PARAMETER	VALUE
Maximum Charge Current	6A
Battery Voltage Range	6V to 20V

### 7.2.1.2 Detailed Design Procedure

To switch between CV control and CC control, diodes are utilized to achieve an OR logic function as shown in [Figure 7-1](#). Designing the circuit in this way allows one of the amplifiers (configured in either CC or CV mode) to dominate the feedback in the design. In this design, *GND* refers to the negative node at the secondary side of the switch-mode power supply.

The fixed 2.5V of the TL103Wx reference provides a stable DC voltage that is used to specify the CC current and CV voltage. One of the requirements of achieving this fixed value, however, is that the cathode of the reference must be supplied with a voltage of 2.5V or above.

#### 7.2.1.2.1 Constant Current Circuit

For the constant current feedback circuit, the amplifier is configured in a low-side current sense configuration. Resistor R6 is used as the current sensing resistor to sense the current flowing between the battery and flyback converter. This is shown in [Equation 1](#), where  $I_{BAT}$  is the output current delivered to the battery. The voltage at the non-inverting input of the amplifier specifies the maximum current (or constant current) that is delivered to the battery.

$$V_{BAT-} = I_{BAT} \times R6 \quad (1)$$

The reference of the TL103Wx is powered by the battery voltage. To be able to achieve a constant current, this reference needs to be provided with 2.5V or greater to provide a fixed 2.5V. The first step in designing a constant current circuit is to specify that 2.5V can be achieved at the battery's minimum voltage. The value of R5 must also be designed so that a sink-current between 0.5mA to 100 mA (for TL103W or TL103WA) is achieved across the specified range of the battery voltage. These two steps are shown below.

$$V_{BAT(min)} \times \frac{R4 + R3}{R4 + R3 + R5 + R6} \geq 2.5 \text{ V} \quad (2)$$

$$0.5 \text{ mA} \leq \frac{V_{BAT} - V_{REF}}{R5} \leq 100 \text{ mA} \quad (3)$$

For this design R5 is chosen to be 2kΩ. Knowing this and the specified battery range of 6V to 20V, we can calculate that the reference sinks anywhere from 1.75mA to 10mA using [Equation 2](#).

Once a fixed 2.5V reference is achieved, we can use this accurate DC voltage to specify a constant current target on the non-inverting input of the amplifier. This can be done by calculating the voltage at the amplifier's inverting input when a constant current target is achieved. Specifying R6 to be 10mΩ along with a constant current design target of 6A, we find that this voltage to be 60 mV using [Equation 1](#). The voltage at the non-inverting pin of the amplifier is specified by [Equation 4](#).

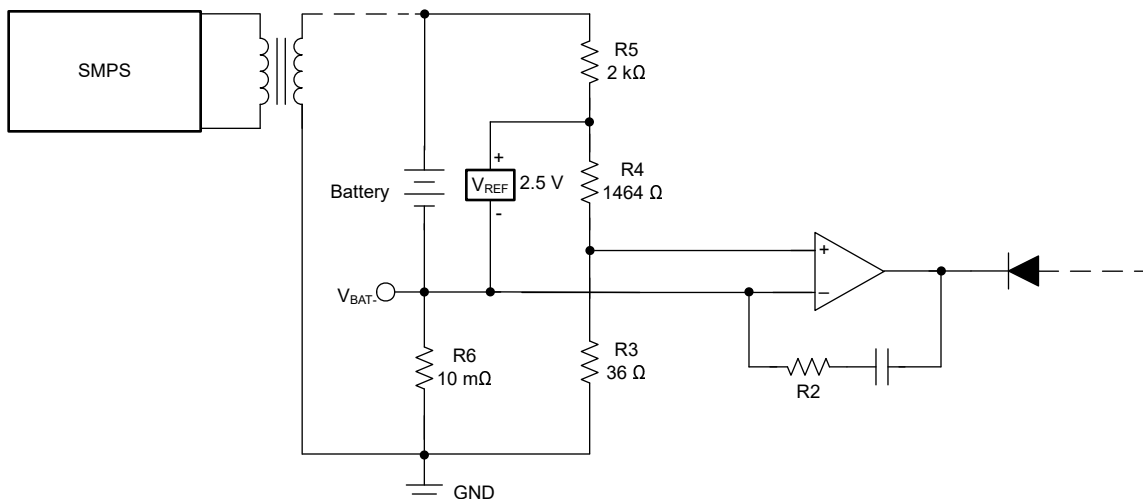
$$V_{IN+} = 2.5 \text{ V} \times \frac{R3}{R4 + R3} \quad (4)$$

Using the component values and design targets calculated so far, [Equation 2](#) and [Equation 4](#) can be updated to:

$$6 \text{ V} \times \frac{R4 + R3}{R4 + R3 + 2 \text{ k}\Omega + 10 \text{ m}\Omega} \geq 2.5 \text{ V} \quad (5)$$

$$60\text{ mV} = 2.5\text{ V} \times \frac{R3}{R4 + R3} \tag{6}$$

Using both Equation 5 and Equation 6, we calculate that R3 needs to be greater than around 34.28Ω. Adding additional headroom to this, we can calculate R3 = 36Ω and R4 = 1464Ω.



**Figure 7-1. Constant Current Feedback Circuit**

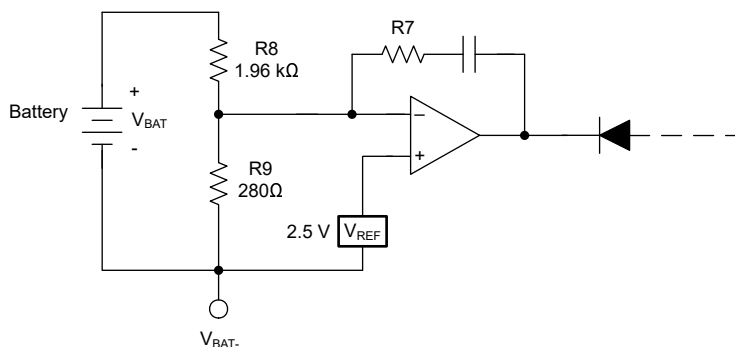
#### 7.2.1.2.2 Constant Voltage Circuit

For the constant voltage feedback circuit, resistors R8 and R9 divide down the battery voltage to compare against the TL103Wx's reference. This is shown in Figure 7-2. The voltage at the inverting input of the amplifier is designed to equal 2.5V when the battery reaches its maximum specified voltage (or desired constant voltage value). This is shown in for a maximum voltage of 20V provided in Table 7-1.

$$V_{BAT} \times \frac{R9}{R8 + R9} = 2.5\text{ V} \tag{7}$$

$$20\text{ V} \times \frac{R9}{R8 + R9} = 2.5\text{ V} \tag{8}$$

To mimic the constant current circuit and achieve a total impedance and 2kΩ across the battery, R8 is set to 1.96kΩ and R9 to 280Ω.



**Figure 7-2. Constant Voltage Circuit**



## 7.2.2 Constant Current Sink

Figure 7-3 shows the use of the TL103Wx along with a transistor to provide a constant current sink source. This type of circuit is common in LED drivers and can provide accurate performance and high bandwidth with minimal external components. Accuracy of this circuit is dominated by the reference voltage tolerance, amplifier offset voltage, and resistor tolerance.  $R_{LIM}$  is placed to limit the shunt current of the circuit's reference to a maximum of 100mA.

$$I_{SINK} = (V_{REF} \times \frac{R_2}{R_1 + R_2}) \times R_S \quad (9)$$

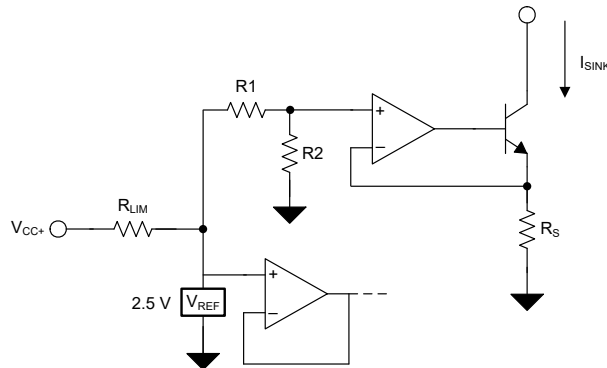


Figure 7-3. TL103Wx as Constant Current Sink

## 7.3 Power Supply Recommendations

Place 0.1µF bypass capacitors close to the power-supply pins to reduce errors coupling in from noisy or high-impedance power supplies. For more detailed information on bypass capacitor placement, see [Section 7.4](#)

## 7.4 Layout

### 7.4.1 Layout Guidelines

For best operational performance of the device, use good PCB layout practices, including:

- Noise can propagate into analog circuitry through the power pins of the circuit as a whole, as well as the operational amplifier. Bypass capacitors are used to reduce the coupled noise by providing low-impedance power sources local to the analog circuitry.
  - Connect low-ESR, 0.1µF ceramic bypass capacitors between each supply pin and ground, placed as close to the device as possible. A single bypass capacitor from V+ to ground is applicable for single-supply applications.
  - If a bypass capacitor is needed to help stabilize the reference, place this capacitor as close to the reference pin as possible.
- Separate grounding for analog and digital portions of circuitry is one of the simplest and most-effective methods of noise suppression. One or more layers on multilayer PCBs are usually devoted to ground planes. A ground plane helps distribute heat and reduces EMI noise pickup. Make sure to physically separate digital and analog grounds, paying attention to the flow of the ground current.
- To reduce parasitic coupling, run the input traces as far away from the supply or output traces as possible. If not possible to keep them separate, cross the sensitive trace perpendicular as opposed to in parallel with the noisy trace.
- Place the external components as close to the device as possible. Keeping  $R_F$  and  $R_G$  close to the inverting input minimizes parasitic capacitance, as shown in [Section 7.4.2](#).
- Keep the length of input traces as short as possible. Always remember that the input traces are the most sensitive part of the circuit.
- Consider a driven, low-impedance guard ring around the critical traces. A guard ring can significantly reduce leakage currents from nearby traces that are at different potentials.

- For applications shunting high currents through the reference, pay attention to the cathode and anode traces. Ensure the width of these traces are designed with proper current density.

### 7.4.2 Layout Example

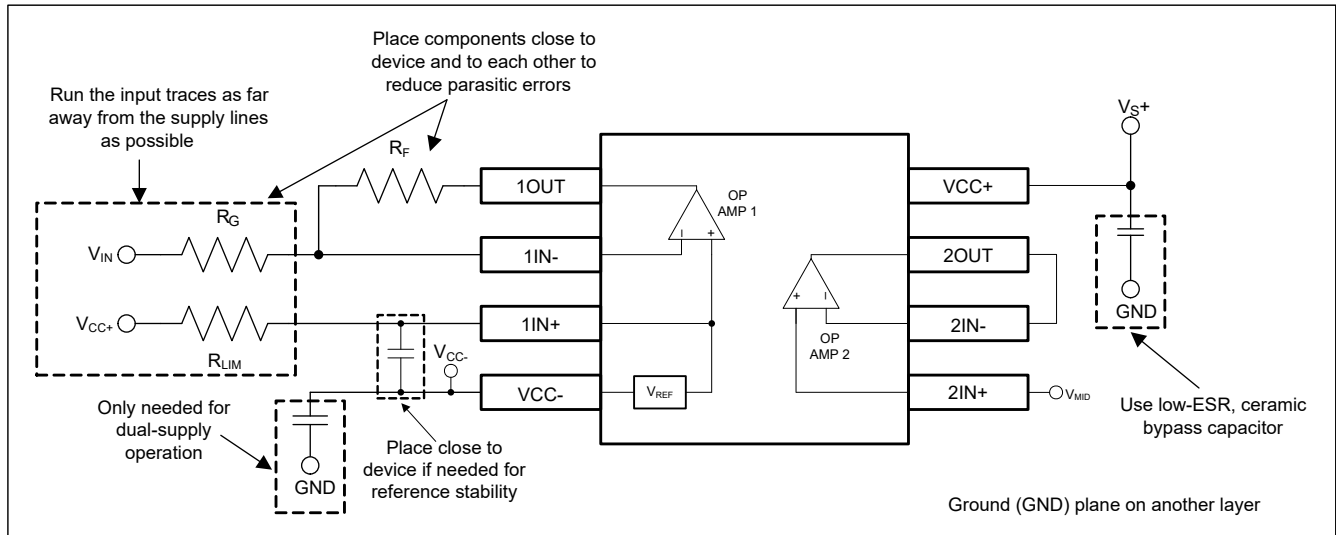


Figure 7-4. Operational Amplifier Board Layout for Inverting Configuration

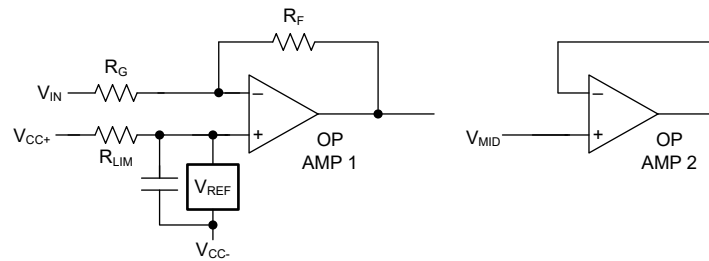


Figure 7-5. Operational Amplifier Schematic for Inverting Configuration

## 8 Device and Documentation Support

### 8.1 Documentation Support

#### 8.1.1 Related Documentation

For related documentation, see the following:

- Texas Instruments, [EMI Rejection Ratio of Operational Amplifiers application report](#)
- Texas Instruments, [Designing CC-CV Feedback Circuits With the TL103WB](#)

### 8.2 Receiving Notification of Documentation Updates

To receive notification of documentation updates, navigate to the device product folder on [ti.com](https://www.ti.com). Click on *Notifications* to register and receive a weekly digest of any product information that has changed. For change details, review the revision history included in any revised document.

### 8.3 Support Resources

[TI E2E™ support forums](#) are an engineer's go-to source for fast, verified answers and design help — straight from the experts. Search existing answers or ask your own question to get the quick design help you need.

Linked content is provided "AS IS" by the respective contributors. They do not constitute TI specifications and do not necessarily reflect TI's views; see TI's [Terms of Use](#).

### 8.4 Trademarks

TI E2E™ is a trademark of Texas Instruments.

Bluetooth® is a registered trademark of Bluetooth SIG, Inc.

All trademarks are the property of their respective owners.

### 8.5 Electrostatic Discharge Caution



This integrated circuit can be damaged by ESD. Texas Instruments recommends that all integrated circuits be handled with appropriate precautions. Failure to observe proper handling and installation procedures can cause damage.

ESD damage can range from subtle performance degradation to complete device failure. Precision integrated circuits may be more susceptible to damage because very small parametric changes could cause the device not to meet its published specifications.

### 8.6 Glossary

[TI Glossary](#) This glossary lists and explains terms, acronyms, and definitions.

## 9 Revision History

NOTE: Page numbers for previous revisions may differ from page numbers in the current version.

<b>Changes from Revision Q (December 2023) to Revision R (April 2024)</b>	<b>Page</b>
• Changed TL103WB DDF (SOT-23, 8) status from advanced information (preview) to production data (active).....	1

<b>Changes from Revision P (November 2023) to Revision Q (December 2023)</b>	<b>Page</b>
• Updated maximum dynamic impedance from 0.5 Ω to 0.8 Ω in <i>Electrical Characteristics</i> table.....	5
• Updated EMIRR IN+ values in <i>EMIRR IN+ for Frequencies of Interest</i> table .....	13

<b>Changes from Revision O (October 2023) to Revision P (November 2023)</b>	<b>Page</b>
• Updated typical large-signal voltage gain of TL103WB from 140V/mV to 210 V/mV.....	5
• Updated minimum limit of supply-voltage rejection ratio of TL103WB from 80 dB to 99dB.....	5

- Added footnote in Electrical Characteristics tables to specify specifications which have limits set by characterization..... 5
- Updated minimum limit of gain bandwidth product for TL103WB from 0.5MHz to 0.7MHz.....5
- Updated maximum limit of total supply current for TL103WB at 25°C from 0.92 mA to 0.77mA.....5
- Updated maximum limit of total supply current for TL103WB at full temperature range from 1.6mA to 1.35mA..... 5
- Updated minimum limit of large-signal voltage gain for TL103WB at 25°C from 70V/mV to 77V/mV..... 6
- Updated minimum limit of large-signal voltage gain for TL103WB at full temperature range from 35V/mV to 45V/mV.....6
- Added new CMRR specifications for TL103WB.....6

**Changes from Revision N (August 2023) to Revision O (October 2023) Page**

- Changed maximum input offset voltage, reference tolerance, total supply current and sink-current range in the *Features* section..... 1
- Changed *Typical Application Circuit* figure to include TL103WB and Opto-emulator.....1
- Changed TL103WB D (SOIC, 8) status from advanced information (preview) to production data (active).....1
- Changed *Thermal Information* table to include latest thermal metrics ..... 5
- Added DDF information to *Thermal Information* table.....5
- Updated  $k_{SVR}$  term to PSRR.....5
- Changed maximum short circuit current from  $\pm 60\text{mA}$  to  $\pm 68\text{ mA}$  .....5
- Maximum reference input voltage deviation over temperature range for TL103W was changed from 30mV to 35mV..... 5
- Maximum reference input voltage deviation over temperature range for TL103WA was changed from 30mV to 26mV..... 5
- Added figures to the *Typical Characteristics* section to highlight the TL103WB device..... 8
- Added the *Detailed Description* and *Application and Implementation* sections.....12
- Added the *Application and Implementation* sections..... 14

**Changes from Revision M (October 2016) to Revision N (August 2023) Page**

- Updated *Features* section to highlight TL103WB..... 1
- Updated the numbering format for tables, figures, and cross-references throughout the document..... 1
- Added the *TL103WB* device information throughout the document.....1
- Updated *Description* section.....1
- Updated *Device Information* table to include channel count..... 1
- Removed DRJ package details and added DDF package for preview.....3
- Updated formatting for *Electrical Characteristics* tables.....5
- Updated typical dynamic impedance from 0.2  $\Omega$  to 0.45  $\Omega$  in *Electrical Characteristics* tables ..... 5

**Changes from Revision L (February 2016) to Revision M (October 2016) Page**

- Changed positive and negative terminals OP AMP 2 in the D Package image of *Pin Configuration and Functions* ..... 3

**Changes from Revision K (October 2010) to Revision L (February 2016) Page**

- Added the *Device Information* table, *Pin Configuration and Functions*, *ESD Ratings*, *Thermal Information*, *Device and Documentation Support*, and *Mechanical, Packaging, and Orderable Information* sections.....1
- Changed *Features* from: 2 kV ESD Protection (HBM) to: 2.5-kV ESD Protection (HBM)..... 1
- Changed the Zener diode component to  $V_{REF}$  in the *Typical Application Circuit* ..... 1

- 
- Changed the Zener diode component to  $V_{REF}$  in the D Package of *Pin Configuration and Functions* ..... [3](#)
- 

## 10 Mechanical, Packaging, and Orderable Information

The following pages include mechanical, packaging, and orderable information. This information is the most current data available for the designated devices. This data is subject to change without notice and revision of this document. For browser-based versions of this data sheet, refer to the left-hand navigation.

## PACKAGING INFORMATION

Orderable part number	Status (1)	Material type (2)	Package   Pins	Package qty   Carrier	RoHS (3)	Lead finish/ Ball material (4)	MSL rating/ Peak reflow (5)	Op temp (°C)	Part marking (6)
<a href="#">TL103WAID</a>	Obsolete	Production	SOIC (D)   8	-	-	Call TI	Call TI	-40 to 105	Z103WA
<a href="#">TL103WAIDR</a>	Active	Production	SOIC (D)   8	2500   LARGE T&R	Yes	NIPDAU	Level-1-260C-UNLIM	-40 to 105	Z103WA
TL103WAIDR.A	Active	Production	SOIC (D)   8	2500   LARGE T&R	Yes	NIPDAU	Level-1-260C-UNLIM	-40 to 105	Z103WA
<a href="#">TL103WBIDDFR</a>	Active	Production	SOT-23-THIN (DDF)   8	3000   LARGE T&R	Yes	NIPDAU	Level-1-260C-UNLIM	-40 to 125	T13DF
TL103WBIDDFR.A	Active	Production	SOT-23-THIN (DDF)   8	3000   LARGE T&R	Yes	NIPDAU	Level-1-260C-UNLIM	-40 to 125	T13DF
<a href="#">TL103WBIDR</a>	Active	Production	SOIC (D)   8	3000   LARGE T&R	Yes	NIPDAU	Level-1-260C-UNLIM	-40 to 125	TL103D
TL103WBIDR.A	Active	Production	SOIC (D)   8	3000   LARGE T&R	Yes	NIPDAU	Level-1-260C-UNLIM	-40 to 125	TL103D
<a href="#">TL103WID</a>	Obsolete	Production	SOIC (D)   8	-	-	Call TI	Call TI	-40 to 105	Z103W
<a href="#">TL103WIDR</a>	Active	Production	SOIC (D)   8	2500   LARGE T&R	Yes	NIPDAU	Level-1-260C-UNLIM	-40 to 105	Z103W
TL103WIDR.A	Active	Production	SOIC (D)   8	2500   LARGE T&R	Yes	NIPDAU	Level-1-260C-UNLIM	-40 to 105	Z103W

(1) **Status:** For more details on status, see our [product life cycle](#).

(2) **Material type:** When designated, preproduction parts are prototypes/experimental devices, and are not yet approved or released for full production. Testing and final process, including without limitation quality assurance, reliability performance testing, and/or process qualification, may not yet be complete, and this item is subject to further changes or possible discontinuation. If available for ordering, purchases will be subject to an additional waiver at checkout, and are intended for early internal evaluation purposes only. These items are sold without warranties of any kind.

(3) **RoHS values:** Yes, No, RoHS Exempt. See the [TI RoHS Statement](#) for additional information and value definition.

(4) **Lead finish/Ball material:** Parts may have multiple material finish options. Finish options are separated by a vertical ruled line. Lead finish/Ball material values may wrap to two lines if the finish value exceeds the maximum column width.

(5) **MSL rating/Peak reflow:** The moisture sensitivity level ratings and peak solder (reflow) temperatures. In the event that a part has multiple moisture sensitivity ratings, only the lowest level per JEDEC standards is shown. Refer to the shipping label for the actual reflow temperature that will be used to mount the part to the printed circuit board.

(6) **Part marking:** There may be an additional marking, which relates to the logo, the lot trace code information, or the environmental category of the part.

Multiple part markings will be inside parentheses. Only one part marking contained in parentheses and separated by a "~" will appear on a part. If a line is indented then it is a continuation of the previous line and the two combined represent the entire part marking for that device.

**Important Information and Disclaimer:** The information provided on this page represents TI's knowledge and belief as of the date that it is provided. TI bases its knowledge and belief on information provided by third parties, and makes no representation or warranty as to the accuracy of such information. Efforts are underway to better integrate information from third parties. TI has taken and continues to take reasonable steps to provide representative

and accurate information but may not have conducted destructive testing or chemical analysis on incoming materials and chemicals. TI and TI suppliers consider certain information to be proprietary, and thus CAS numbers and other limited information may not be available for release.

In no event shall TI's liability arising out of such information exceed the total purchase price of the TI part(s) at issue in this document sold by TI to Customer on an annual basis.

**TAPE AND REEL INFORMATION**

**QUADRANT ASSIGNMENTS FOR PIN 1 ORIENTATION IN TAPE**


\*All dimensions are nominal

Device	Package Type	Package Drawing	Pins	SPQ	Reel Diameter (mm)	Reel Width W1 (mm)	A0 (mm)	B0 (mm)	K0 (mm)	P1 (mm)	W (mm)	Pin1 Quadrant
TL103WAIDR	SOIC	D	8	2500	330.0	12.4	6.4	5.2	2.1	8.0	12.0	Q1
TL103WBIDFR	SOT-23-THIN	DDF	8	3000	180.0	8.4	3.2	3.2	1.4	4.0	8.0	Q3
TL103WBIDR	SOIC	D	8	3000	330.0	12.4	6.4	5.2	2.1	8.0	12.0	Q1
TL103WIDR	SOIC	D	8	2500	330.0	12.4	6.4	5.2	2.1	8.0	12.0	Q1



**TAPE AND REEL BOX DIMENSIONS**


\*All dimensions are nominal

Device	Package Type	Package Drawing	Pins	SPQ	Length (mm)	Width (mm)	Height (mm)
TL103WAIDR	SOIC	D	8	2500	353.0	353.0	32.0
TL103WBIDFR	SOT-23-THIN	DDF	8	3000	210.0	185.0	35.0
TL103WBIDR	SOIC	D	8	3000	353.0	353.0	32.0
TL103WIDR	SOIC	D	8	2500	353.0	353.0	32.0

# DDF0008A



# PACKAGE OUTLINE

## SOT-23-THIN - 1.1 mm max height

PLASTIC SMALL OUTLINE



4222047/E 07/2024

### NOTES:

1. All linear dimensions are in millimeters. Any dimensions in parenthesis are for reference only. Dimensioning and tolerancing per ASME Y14.5M.
2. This drawing is subject to change without notice.
3. This dimension does not include mold flash, protrusions, or gate burrs. Mold flash, protrusions, or gate burrs shall not exceed 0.15 mm per side.

# EXAMPLE BOARD LAYOUT

DDF0008A

SOT-23-THIN - 1.1 mm max height

PLASTIC SMALL OUTLINE



LAND PATTERN EXAMPLE  
EXPOSED METAL SHOWN  
SCALE:15X



SOLDER MASK DETAILS

4222047/E 07/2024

NOTES: (continued)

- 4. Publication IPC-7351 may have alternate designs.
- 5. Solder mask tolerances between and around signal pads can vary based on board fabrication site.

# EXAMPLE STENCIL DESIGN

DDF0008A

SOT-23-THIN - 1.1 mm max height

PLASTIC SMALL OUTLINE



SOLDER PASTE EXAMPLE  
BASED ON 0.125 mm THICK STENCIL  
SCALE:15X

4222047/E 07/2024

NOTES: (continued)

6. Laser cutting apertures with trapezoidal walls and rounded corners may offer better paste release. IPC-7525 may have alternate design recommendations.
7. Board assembly site may have different recommendations for stencil design.



D0008A

# PACKAGE OUTLINE

## SOIC - 1.75 mm max height

SMALL OUTLINE INTEGRATED CIRCUIT



4214825/C 02/2019

### NOTES:

- Linear dimensions are in inches [millimeters]. Dimensions in parenthesis are for reference only. Controlling dimensions are in inches. Dimensioning and tolerancing per ASME Y14.5M.
- This drawing is subject to change without notice.
- This dimension does not include mold flash, protrusions, or gate burrs. Mold flash, protrusions, or gate burrs shall not exceed  $.006$  [0.15] per side.
- This dimension does not include interlead flash.
- Reference JEDEC registration MS-012, variation AA.

# EXAMPLE BOARD LAYOUT

D0008A

SOIC - 1.75 mm max height

SMALL OUTLINE INTEGRATED CIRCUIT



LAND PATTERN EXAMPLE  
EXPOSED METAL SHOWN  
SCALE:8X



SOLDER MASK DETAILS

4214825/C 02/2019

NOTES: (continued)

6. Publication IPC-7351 may have alternate designs.

7. Solder mask tolerances between and around signal pads can vary based on board fabrication site.

# EXAMPLE STENCIL DESIGN

D0008A

SOIC - 1.75 mm max height

SMALL OUTLINE INTEGRATED CIRCUIT



SOLDER PASTE EXAMPLE  
BASED ON .005 INCH [0.125 MM] THICK STENCIL  
SCALE:8X

4214825/C 02/2019

NOTES: (continued)

8. Laser cutting apertures with trapezoidal walls and rounded corners may offer better paste release. IPC-7525 may have alternate design recommendations.
9. Board assembly site may have different recommendations for stencil design.

## IMPORTANT NOTICE AND DISCLAIMER

TI PROVIDES TECHNICAL AND RELIABILITY DATA (INCLUDING DATASHEETS), DESIGN RESOURCES (INCLUDING REFERENCE DESIGNS), APPLICATION OR OTHER DESIGN ADVICE, WEB TOOLS, SAFETY INFORMATION, AND OTHER RESOURCES "AS IS" AND WITH ALL FAULTS, AND DISCLAIMS ALL WARRANTIES, EXPRESS AND IMPLIED, INCLUDING WITHOUT LIMITATION ANY IMPLIED WARRANTIES OF MERCHANTABILITY, FITNESS FOR A PARTICULAR PURPOSE OR NON-INFRINGEMENT OF THIRD PARTY INTELLECTUAL PROPERTY RIGHTS.

These resources are intended for skilled developers designing with TI products. You are solely responsible for (1) selecting the appropriate TI products for your application, (2) designing, validating and testing your application, and (3) ensuring your application meets applicable standards, and any other safety, security, regulatory or other requirements.

These resources are subject to change without notice. TI grants you permission to use these resources only for development of an application that uses the TI products described in the resource. Other reproduction and display of these resources is prohibited. No license is granted to any other TI intellectual property right or to any third party intellectual property right. TI disclaims responsibility for, and you fully indemnify TI and its representatives against any claims, damages, costs, losses, and liabilities arising out of your use of these resources.

TI's products are provided subject to [TI's Terms of Sale](#), [TI's General Quality Guidelines](#), or other applicable terms available either on [ti.com](http://ti.com) or provided in conjunction with such TI products. TI's provision of these resources does not expand or otherwise alter TI's applicable warranties or warranty disclaimers for TI products. Unless TI explicitly designates a product as custom or customer-specified, TI products are standard, catalog, general purpose devices.

TI objects to and rejects any additional or different terms you may propose.

Copyright © 2026, Texas Instruments Incorporated

Last updated 10/2025