
TL4050-Q1 Precision Micropower Shunt Voltage Reference

1 Features

- AEC-Q100 qualified with the following results:
 - Device temperature grade 1: -40°C to $+125^{\circ}\text{C}$
- Fixed output voltages of 2.048V, 2.5V, 4.096V, 5V
- Tight output tolerances and low temperature coefficient
 - Maximum 0.1%, 50ppm/ $^{\circ}\text{C}$ – A Grade
 - Maximum 0.2%, 50ppm/ $^{\circ}\text{C}$ – B Grade
 - Maximum 0.5%, 50ppm/ $^{\circ}\text{C}$ – C Grade
- Low output noise: $41\mu\text{V}_{\text{RMS}}$ typical
- Wide operating current range:
 $60\mu\text{A}$ typical to 15mA
- Stable with all capacitive loads; no output capacitor required
- Available in extended temperature range: -40°C to 125°C

2 Applications

- Data-acquisition systems
- Power supplies and power-supply monitors
- Instrumentation and test equipment
- Process controls
- Precision audio
- Automotive electronics
- Energy management
- Battery-powered equipment

3 Description

The TL4050-Q1 family of shunt voltage references are versatile easy-to-use references designed for a wide array of applications. The two-terminal fixed-output device requires no external capacitors for operation and is stable with all capacitive loads. Additionally, the reference offers low dynamic impedance, low noise, and low temperature coefficient to maintain a stable output voltage over a wide range of operating currents and temperatures.

The TL4050-Q1 is available in three initial tolerances, ranging from 0.1% (maximum) for the A grade to 0.5% (maximum) for the C grade. Thus, a great deal of flexibility is available to designers in choosing the best cost-to-performance ratio for an application. Packaged in the space-saving SOT-23-3 and SC-70 packages and requiring a minimum current of $45\mu\text{A}$ (typical), the TL4050-Q1 also is designed for portable applications.

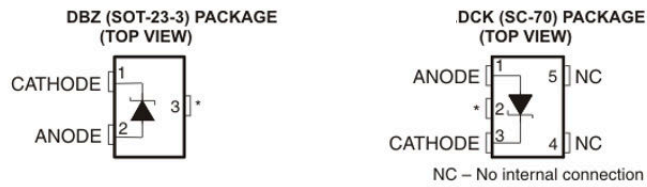
The TL4050x-Q1 characterization is for operation over an ambient temperature range of -40°C to 125°C .



Table of Contents

1 Features	1	7 Application Information	13
2 Applications	1	7.1 Output Capacitor.....	13
3 Description	1	7.2 SOT-23-3 Pin Connections.....	13
4 Pin Configuration and Functions	3	7.3 Use With ADCs or DACs.....	13
5 Specifications	4	7.4 Cathode and Load Currents.....	15
5.1 Absolute Maximum Ratings ⁽¹⁾	4	8 Device and Documentation Support	16
5.2 ESD Ratings.....	4	8.1 Documentation Support.....	16
5.3 Recommended Operating Conditions.....	4	8.2 Receiving Notification of Documentation Updates...	16
5.4 Thermal Information.....	5	8.3 Support Resources.....	16
5.5 TL4050x20-Q1 Electrical Characteristics.....	6	8.4 Trademarks.....	16
5.6 TL4050x25-Q1 Electrical Characteristics.....	7	8.5 Electrostatic Discharge Caution.....	16
5.7 TL4050x41-Q1 Electrical Characteristics.....	8	8.6 Glossary.....	16
5.8 TL4050x50-Q1 Electrical Characteristics.....	9	9 Revision History	16
5.9 Typical Characteristics.....	10	10 Mechanical, Packaging, and Orderable	
6 Detailed Description	12	Information	17
6.1 Functional Block Diagram.....	12		

4 Pin Configuration and Functions



***In applications with high electromagnetic interference (for example, when placed near transformers or other electromagnetic sources) or significant high-frequency switching noise, TI recommends connecting this pin to the anode.** In applications where high electromagnetic interference (for example, when placed near transformers or other electromagnetic sources) or significant high-frequency switching noise is not present, you can consider leaving this pin floating.

5 Specifications

5.1 Absolute Maximum Ratings ⁽¹⁾

over free-air temperature range (unless otherwise noted)

		MIN	MAX	UNIT
I_Z	Continuous cathode current	-10	20	mA
T_J	Operating virtual junction temperature		150	°C
T_{stg}	Storage temperature range	-65	150	°C

- (1) Stresses beyond those listed under *Absolute Maximum Ratings* can cause permanent damage to the device. These are stress ratings only, and functional operation of the device at these or any other conditions beyond those indicated under *Recommended Operating Conditions* is not implied. Exposure to absolute-maximum-rated conditions for extended periods can affect device reliability.

5.2 ESD Ratings

			VALUE	UNIT
$V_{(ESD)}$	Electrostatic discharge	Human-body model (HBM), per ANSI/ESDA/JEDEC JS-001 ⁽¹⁾ ⁽²⁾	±2000	V
		Charged-device model (CDM), per JEDEC specification JESD22-C101 ⁽³⁾	±500	

- (1) JEDEC document JEP155 states that 500V HBM allows safe manufacturing with a standard ESD control process.
 (2) The human-body model is a 100pF capacitor discharged through a 1.5kΩ resistor into each pin. All pins are rated at 2kV for human-body model, but the feedback pin which is rated at 1kV.
 (3) JEDEC document JEP157 states that 250V CDM allows safe manufacturing with a standard ESD control process. Manufacturing with less than 250V CDM is possible with the necessary precautions.

5.3 Recommended Operating Conditions

			MIN	MAX	UNIT
I_Z	Cathode current		⁽¹⁾	15	mA
T_A	Free-air temperature	I temperature	-40	85	°C
		Q temperature	-40	125	

- (1) See parametric tables

5.4 Thermal Information

THERMAL METRIC ¹		TL4050-Q1		UNIT
		DBZ	DCK	
		3 PINS	5 PINS	
θ_{JA}	Junction-to-ambient thermal resistance ¹	331.1	289.9	°C/W
$\theta_{Jc\text{top}}$	Junction-to-case (top) thermal resistance ¹	107.5	56.4	°C/W
θ_{JB}	Junction-to-board thermal resistance ¹	63.4	93	°C/W
ψ_{JT}	Junction-to-top characterization parameter ¹	4.9	0.7	°C/W
ψ_{JB}	Junction-to-board characterization parameter ¹	61.7	91.4	°C/W
$\theta_{Jc\text{bot}}$	Junction-to-case (bottom) thermal resistance ¹	N/A	N/A	°C/W

5.5 TL4050x20-Q1 Electrical Characteristics

 at extended temperature range, full range $T_A = -40^{\circ}\text{C}$ to 125°C (unless otherwise noted)

PARAMETER	TEST CONDITIONS	T_A	TL4050A20-Q1			TL4050B20-Q1			TL4050C20-Q1			UNIT	
			MIN	TYP	MAX	MIN	TYP	MAX	MIN	TYP	MAX		
V_Z	Reverse breakdown voltage	$I_Z = 100\mu\text{A}$	25°C	2.048			2.048			2.048			V
ΔV_Z	Reverse breakdown voltage tolerance	$I_Z = 100\mu\text{A}$	25°C	-2.048	2.048		-4.096	4.096		-10.24	10.24		mV
			Full range	-12.288	12.288		-14.7456	14.7456		-17.2032	17.2032		
$I_{Z,\text{min}}$	Minimum cathode current		25°C	41 60		41 60		41 60				μA	
			Full range	65		65		65					
α_{VZ}	Average temperature coefficient of reverse breakdown voltage	$I_Z = 10\text{mA}$	25°C	± 20			± 20			± 20			ppm/°C
			$I_Z = 1\text{mA}$	± 15			± 15			± 15			
			25°C	± 15			± 15			± 15			
			Full range	± 50			± 50			± 50			
$\frac{\Delta V_Z}{\Delta I_Z}$	Reverse breakdown voltage change with cathode current change	$I_{Z,\text{min}} < I_Z < 1\text{mA}$	25°C	0.3 0.8		0.3 0.8		0.3 0.8				mV	
			Full range	1.2		1.2		1.2					
		$1\text{mA} < I_Z < 15\text{mA}$	25°C	2.3 6		2.3 6		2.3 6					
			Full range	8		8		8					
Z_Z	Reverse dynamic impedance	$I_Z = 1\text{mA}$, $f = 120\text{Hz}$, $I_{AC} = 0.1 I_Z$	25°C	0.3			0.3			0.3			Ω
e_N	Wideband noise	$I_Z = 100\mu\text{A}$, $10\text{Hz} \leq f \leq 10\text{kHz}$	25°C	34			34			34			μV_{RMS}
	Long-term stability of reverse breakdown voltage	$t = 1000\text{h}$, $T_A = 25^{\circ}\text{C} \pm 0.1^{\circ}\text{C}$, $I_Z = 100\mu\text{A}$		120			120			120			ppm
V_{HYST}	Thermal hysteresis ⁽¹⁾	$\Delta T_A = -40^{\circ}\text{C}$ to 125°C		0.7			0.7			0.7			mV

 (1) Thermal hysteresis is defined as $V_{Z,25^{\circ}\text{C}}$ (after cycling to -40°C) – $V_{Z,25^{\circ}\text{C}}$ (after cycling to 125°C).

5.6 TL4050x25-Q1 Electrical Characteristics

at extended temperature range, full range $T_A = -40^\circ\text{C}$ to 125°C (unless otherwise noted)

PARAMETER	TEST CONDITIONS	T_A	TL4050B25-Q1			UNIT
			MIN	TYP	MAX	
V_Z	Reverse breakdown voltage	$I_Z = 100\mu\text{A}$		2.5		V
ΔV_Z	Reverse breakdown voltage tolerance	$I_Z = 100\mu\text{A}$			5	mV
		Full range	-5		18	
$I_{Z,\text{min}}$	Minimum cathode current	$I_Z = 100\mu\text{A}$		41	60	μA
		Full range			65	
α_{V_Z}	Average temperature coefficient of reverse breakdown voltage	$I_Z = 10\text{mA}$	25°C	± 20		ppm/ $^\circ\text{C}$
		$I_Z = 1\text{mA}$	25°C	± 15		
		$I_Z = 100\mu\text{A}$	25°C	± 15		
		Full range			± 50	
$\frac{\Delta V_Z}{\Delta I_Z}$	Reverse breakdown voltage change with cathode current change	$I_{Z,\text{min}} < I_Z < 1\text{mA}$	25°C	0.3	0.8	mV
			Full range			
		$1\text{mA} < I_Z < 15\text{mA}$	25°C	2.3	6	
			Full range			
Z_Z	Reverse dynamic impedance	$I_Z = 1\text{mA}$, $f = 120\text{Hz}$, $I_{AC} = 0.1 I_Z$	25°C	0.3		Ω
e_N	Wideband noise	$I_Z = 100\mu\text{A}$, $10\text{Hz} \leq f \leq 10\text{kHz}$	25°C	41		μV_{RMS}
	Long-term stability of reverse breakdown voltage	$t = 1000\text{h}$, $T_A = 25^\circ\text{C} \pm 0.1^\circ\text{C}$, $I_Z = 100\mu\text{A}$		120		ppm
V_{HYST}	Thermal hysteresis ⁽¹⁾	$\Delta T_A = -40^\circ\text{C}$ to 125°C		0.7		mV

(1) Thermal hysteresis is defined as $V_{Z,25^\circ\text{C}}$ (after cycling to -40°C) – $V_{Z,25^\circ\text{C}}$ (after cycling to 125°C).

5.7 TL4050x41-Q1 Electrical Characteristics

at extended temperature range, full range $T_A = -40^\circ\text{C}$ to 125°C (unless otherwise noted)

PARAMETER	TEST CONDITIONS	T_A	TL4050B41-Q1			UNIT
			MIN	TYP	MAX	
V_Z	Reverse breakdown voltage	$I_Z = 100\mu\text{A}$		4.096		V
ΔV_Z	Reverse breakdown voltage tolerance	$I_Z = 100\mu\text{A}$				mV
			25°C	-8.2	8.2	
$I_{Z,\text{min}}$	Minimum cathode current		25°C			μA
			Full range	-29	29	
α_{VZ}	Average temperature coefficient of reverse breakdown voltage	$I_Z = 10\text{mA}$	25°C			ppm/°C
		$I_Z = 1\text{mA}$	25°C			
		$I_Z = 100\mu\text{A}$	25°C			
		Full range			± 50	
$\frac{\Delta V_Z}{\Delta I_Z}$	Reverse breakdown voltage change with cathode current change	$I_{Z,\text{min}} < I_Z < 1\text{mA}$	25°C			mV
			Full range			
		$1\text{mA} < I_Z < 15\text{mA}$	25°C			
		Full range				
Z_Z	Reverse dynamic impedance	$I_Z = 1\text{mA}$, $f = 120\text{Hz}$, $I_{AC} = 0.1 I_Z$	25°C			Ω
e_N	Wideband noise	$I_Z = 100\mu\text{A}$, $10\text{Hz} \leq f \leq 10\text{kHz}$	25°C			μV_{RMS}
	Long-term stability of reverse breakdown voltage	$t = 1000\text{h}$, $T_A = 25^\circ\text{C} \pm 0.1^\circ\text{C}$, $I_Z = 100\mu\text{A}$				ppm
V_{HYST}	Thermal hysteresis ⁽¹⁾	$\Delta T_A = -40^\circ\text{C}$ to 125°C				mV

(1) Thermal hysteresis is defined as $V_{Z,25^\circ\text{C}}$ (after cycling to -40°C) – $V_{Z,25^\circ\text{C}}$ (after cycling to 125°C).

5.8 TL4050x50-Q1 Electrical Characteristics

at extended temperature range, full range $T_A = -40^\circ\text{C}$ to 125°C (unless otherwise noted)

PARAMETER	TEST CONDITIONS	T_A	TL4050A50-Q1			TL4050B50-Q1			TL4050C50-Q1			UNIT
			MIN	TYP	MAX	MIN	TYP	MAX	MIN	TYP	MAX	
V_Z	Reverse breakdown voltage $I_Z = 100\mu\text{A}$	25°C	5			5			5			V
ΔV_Z	Reverse breakdown voltage tolerance $I_Z = 100\mu\text{A}$	25°C	-5	5		-10	10		-25	25		mV
		Full range	-30	30		-35	35		-50	50		
$I_{Z,\text{min}}$	Minimum cathode current	25°C	56		74		56		74		μA	
		Full range			90				90			
α_{VZ}	Average temperature coefficient of reverse breakdown voltage $I_Z = 10\text{mA}$	25°C	± 30			± 30			± 30			ppm/ $^\circ\text{C}$
		25°C	± 20			± 20			± 20			
		25°C	± 20			± 20			± 20			
		Full range	± 50			± 50			± 50			
$\frac{\Delta V_Z}{\Delta I_Z}$	Reverse breakdown voltage change with cathode current change $I_{Z,\text{min}} < I_Z < 1\text{mA}$	25°C	0.2		1		0.2		1		mV	
		Full range			1.4				1.4			
	$1\text{mA} < I_Z < 15\text{mA}$	25°C	2		8		2		8			
		Full range			12				12			
Z_Z	Reverse dynamic impedance $I_Z = 1\text{mA}$, $f = 120\text{Hz}$, $I_{AC} = 0.1 I_Z$	25°C	0.5			0.5			0.5			Ω
e_N	Wideband noise $I_Z = 100\mu\text{A}$, $10\text{Hz} \leq f \leq 10\text{kHz}$	25°C	93			93			93			μV_{RMS}
	Long-term stability of reverse breakdown voltage $t = 1000\text{h}$, $T_A = 25^\circ\text{C} \pm 0.1^\circ\text{C}$, $I_Z = 100\mu\text{A}$		120			120			120			ppm
V_{HYST}	Thermal hysteresis ⁽¹⁾ $\Delta T_A = -40^\circ\text{C}$ to 125°C		1.4			1.4			1.4			mV

(1) Thermal hysteresis is defined as $V_{Z,25^\circ\text{C}}$ (after cycling to -40°C) – $V_{Z,25^\circ\text{C}}$ (after cycling to 125°C).

5.9 Typical Characteristics

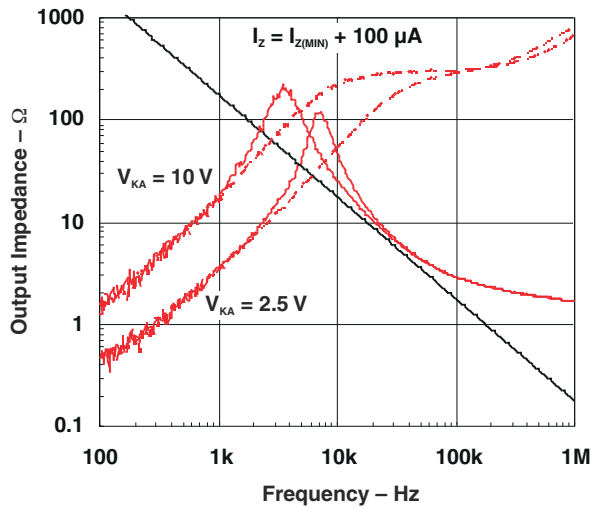


Figure 5-1. Output Impedance versus Frequency

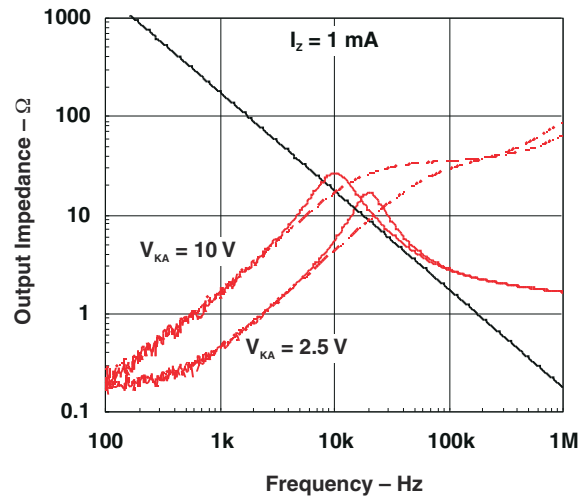


Figure 5-2. Output Impedance versus Frequency

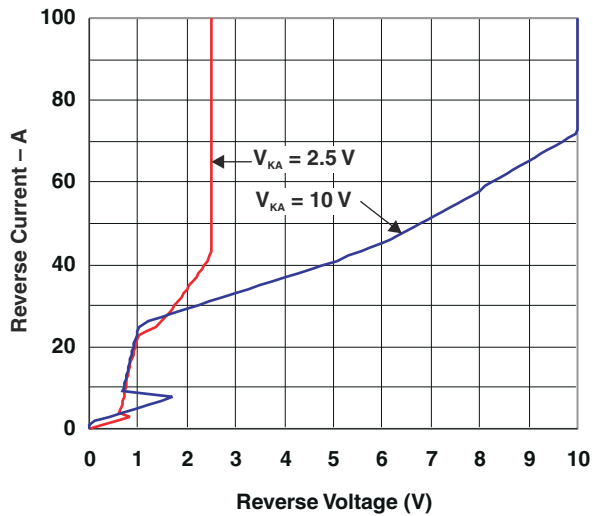


Figure 5-3. Reverse Characteristics And Minimum Operating Current

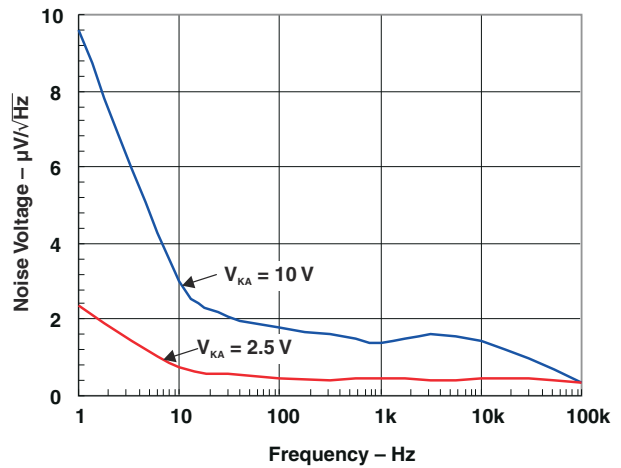


Figure 5-4. Noise Voltage versus Frequency

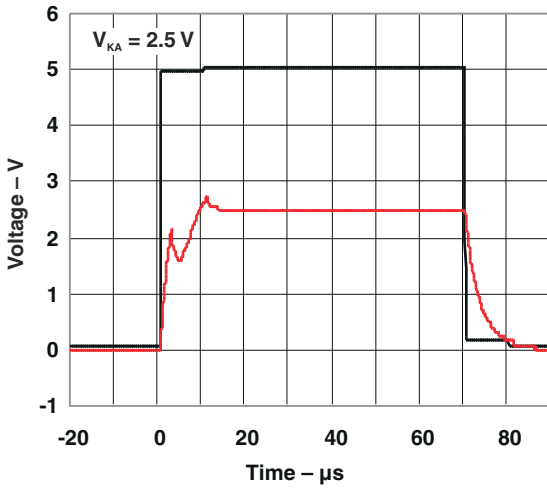


Figure 5-5. Large Signal Pulse Response

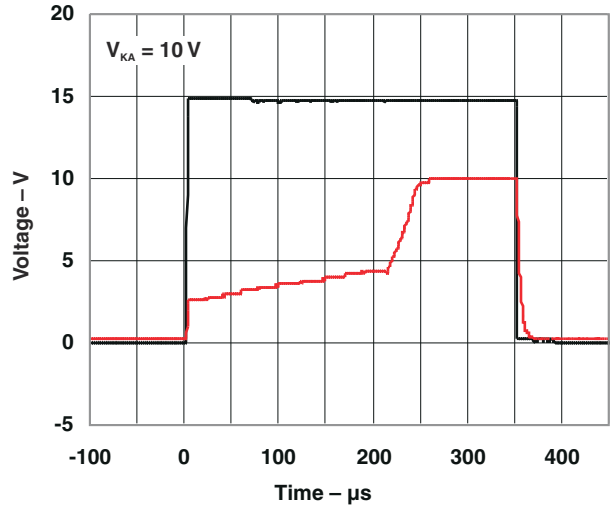


Figure 5-6. Large Signal Pulse Response

7 Application Information

Note

Information in the following applications sections is not part of the TI component specification, and TI does not warrant its accuracy or completeness. TI's customers are responsible for determining suitability of components for their purposes, as well as validating and testing their design implementation to confirm system functionality.

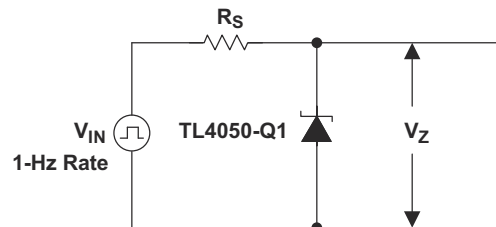


Figure 7-1. Start-Up Test Circuit

7.1 Output Capacitor

The TL4050-Q1 does not require an output capacitor across cathode and anode for stability. However, in an application using an output bypass capacitor, the TL4050-Q1 is stable with all capacitive loads.

7.2 SOT-23-3 Pin Connections

There is a parasitic Schottky diode connected between pins 2 and 3 of the SOT-23-3 packaged device. Thus, pin 3 of the SOT-23-3 package must be left floating or connected to pin 2. In applications with high electromagnetic interference (for example, when placed near transformers or other electromagnetic sources) or significant high-frequency switching noise, TI recommends connecting this pin to the anode.

7.3 Use With ADCs or DACs

The design of the TL4050x41-Q1 is as a cost-effective voltage reference, as required in 12-bit data-acquisition systems. For 12-bit systems operating from 5V supplies, such as the ADS7842 (see [Figure 7-2](#)), the TL4050x41-Q1 (4.096V) permits operation with an LSB of 1mV.

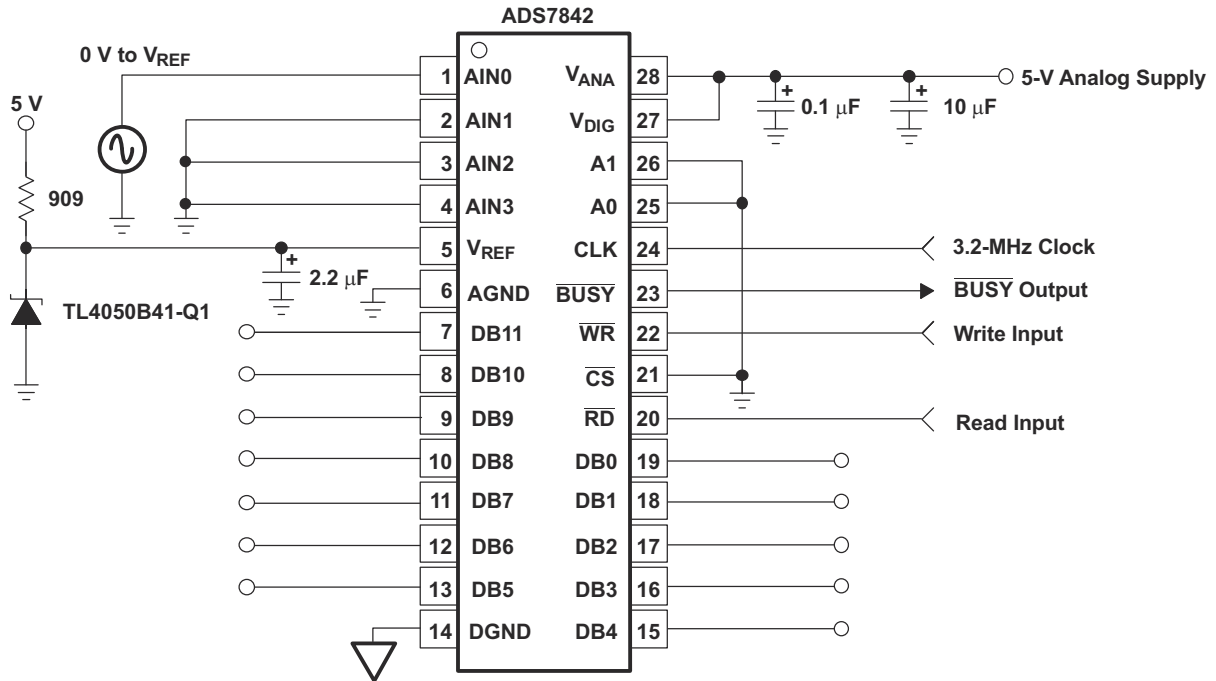


Figure 7-2. Data-Acquisition Circuit With TL4050x41-Q1

7.4 Cathode and Load Currents

In a typical shunt-regulator configuration (see [Figure 7-3](#)), an external resistor, R_S , connects between the supply and the cathode of the TL4050-Q1. Proper choice of R_S is essential, as R_S sets the total current available to supply the load (I_L) and bias the TL4050-Q1 (I_Z). In all cases, I_Z must stay within a specified range for proper operation of the reference. Taking into consideration one extreme in the variation of the load and supply voltage (maximum I_L and minimum V_S), R_S must be small enough to supply the minimum I_Z required for operation of the regulator, as given by data-sheet parameters. At the other extreme, maximum V_S and minimum I_L , R_S must be large enough to limit I_Z to less than the maximum-rated value of 15mA.

[Equation 1](#) calculates R_S :

$$R_S = \frac{(V_S - V_Z)}{(I_L + I_Z)} \quad (1)$$

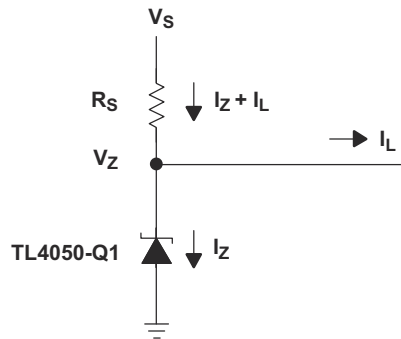


Figure 7-3. Shunt Regulator

8 Device and Documentation Support

8.1 Documentation Support

8.2 Receiving Notification of Documentation Updates

To receive notification of documentation updates, navigate to the device product folder on ti.com. Click on *Notifications* to register and receive a weekly digest of any product information that has changed. For change details, review the revision history included in any revised document.

8.3 Support Resources

[TI E2E™ support forums](#) are an engineer's go-to source for fast, verified answers and design help — straight from the experts. Search existing answers or ask your own question to get the quick design help you need.

Linked content is provided "AS IS" by the respective contributors. They do not constitute TI specifications and do not necessarily reflect TI's views; see TI's [Terms of Use](#).

8.4 Trademarks

TI E2E™ is a trademark of Texas Instruments.

All trademarks are the property of their respective owners.

8.5 Electrostatic Discharge Caution



This integrated circuit can be damaged by ESD. Texas Instruments recommends that all integrated circuits be handled with appropriate precautions. Failure to observe proper handling and installation procedures can cause damage.

ESD damage can range from subtle performance degradation to complete device failure. Precision integrated circuits may be more susceptible to damage because very small parametric changes could cause the device not to meet its published specifications.

8.6 Glossary

[TI Glossary](#) This glossary lists and explains terms, acronyms, and definitions.

9 Revision History

NOTE: Page numbers for previous revisions may differ from page numbers in the current version.

Changes from Revision F (April 2013) to Revision G (May 2025)	Page
• Added information about AEC-Q100 qualifications.....	1
• Updated the numbering format for tables, figures, and cross-references throughout the document.....	1
• Updated pinout diagrams with device functionality information in high EMI or high switching environments. ..	1
• Added device functionality information in high EMI or high switching environments.....	3
• Added ESD ratings.....	4
• Added device functionality information in high EMI or high switching environments.....	13

10 Mechanical, Packaging, and Orderable Information

The following pages include mechanical, packaging, and orderable information. This information is the most current data available for the designated devices. This data is subject to change without notice and revision of this document. For browser-based versions of this data sheet, refer to the left-hand navigation.

PACKAGING INFORMATION

Orderable part number	Status (1)	Material type (2)	Package Pins	Package qty Carrier	RoHS (3)	Lead finish/ Ball material (4)	MSL rating/ Peak reflow (5)	Op temp (°C)	Part marking (6)
TL4050A50QDBZRQ1	Active	Production	SOT-23 (DBZ) 3	3000 LARGE T&R	Yes	NIPDAU	Level-1-260C-UNLIM	-40 to 125	TLGU
TL4050A50QDBZRQ1.A	Active	Production	SOT-23 (DBZ) 3	3000 LARGE T&R	Yes	NIPDAU	Level-1-260C-UNLIM	-40 to 125	TLGU
TL4050A50QDCKRQ1	Active	Production	SC70 (DCK) 5	3000 LARGE T&R	Yes	NIPDAU SN	Level-1-260C-UNLIM	-40 to 125	7GU
TL4050A50QDCKRQ1.A	Active	Production	SC70 (DCK) 5	3000 LARGE T&R	Yes	SN	Level-1-260C-UNLIM	-40 to 125	7GU
TL4050B25QDBZRQ1	Active	Production	SOT-23 (DBZ) 3	3000 LARGE T&R	Yes	NIPDAU	Level-1-260C-UNLIM	-40 to 125	TLHU
TL4050B25QDBZRQ1.A	Active	Production	SOT-23 (DBZ) 3	3000 LARGE T&R	Yes	NIPDAU	Level-1-260C-UNLIM	-40 to 125	TLHU
TL4050B25QDCKRQ1	Active	Production	SC70 (DCK) 5	3000 LARGE T&R	Yes	NIPDAU SN	Level-1-260C-UNLIM	-40 to 125	7HU
TL4050B25QDCKRQ1.A	Active	Production	SC70 (DCK) 5	3000 LARGE T&R	Yes	SN	Level-1-260C-UNLIM	-40 to 125	7HU
TL4050B41QDBZRQ1	Active	Production	SOT-23 (DBZ) 3	3000 LARGE T&R	Yes	NIPDAU SN	Level-1-260C-UNLIM	-40 to 125	TMXU
TL4050B41QDBZRQ1.A	Active	Production	SOT-23 (DBZ) 3	3000 LARGE T&R	Yes	SN	Level-1-260C-UNLIM	-40 to 125	TMXU
TL4050B50QDBZRQ1	Active	Production	SOT-23 (DBZ) 3	3000 LARGE T&R	Yes	NIPDAU	Level-1-260C-UNLIM	-40 to 125	TLJU
TL4050B50QDBZRQ1.A	Active	Production	SOT-23 (DBZ) 3	3000 LARGE T&R	Yes	NIPDAU	Level-1-260C-UNLIM	-40 to 125	TLJU
TL4050B50QDCKRQ1	Active	Production	SC70 (DCK) 5	3000 LARGE T&R	Yes	NIPDAU SN	Level-1-260C-UNLIM	-40 to 125	7JU
TL4050B50QDCKRQ1.A	Active	Production	SC70 (DCK) 5	3000 LARGE T&R	Yes	SN	Level-1-260C-UNLIM	-40 to 125	7JU
TL4050C20QDBZRQ1	Active	Production	SOT-23 (DBZ) 3	3000 LARGE T&R	Yes	NIPDAU SN	Level-1-260C-UNLIM	-40 to 125	TMYU
TL4050C20QDBZRQ1.A	Active	Production	SOT-23 (DBZ) 3	3000 LARGE T&R	Yes	SN	Level-1-260C-UNLIM	-40 to 125	TMYU
TL4050C50QDBZRQ1	Active	Production	SOT-23 (DBZ) 3	3000 LARGE T&R	Yes	NIPDAU SN	Level-1-260C-UNLIM	-40 to 125	TKZU
TL4050C50QDBZRQ1.A	Active	Production	SOT-23 (DBZ) 3	3000 LARGE T&R	Yes	SN	Level-1-260C-UNLIM	-40 to 125	TKZU

(1) **Status:** For more details on status, see our [product life cycle](#).

(2) **Material type:** When designated, preproduction parts are prototypes/experimental devices, and are not yet approved or released for full production. Testing and final process, including without limitation quality assurance, reliability performance testing, and/or process qualification, may not yet be complete, and this item is subject to further changes or possible discontinuation. If available for ordering, purchases will be subject to an additional waiver at checkout, and are intended for early internal evaluation purposes only. These items are sold without warranties of any kind.

(3) **RoHS values:** Yes, No, RoHS Exempt. See the [TI RoHS Statement](#) for additional information and value definition.

(4) **Lead finish/Ball material:** Parts may have multiple material finish options. Finish options are separated by a vertical ruled line. Lead finish/Ball material values may wrap to two lines if the finish value exceeds the maximum column width.

(5) **MSL rating/Peak reflow:** The moisture sensitivity level ratings and peak solder (reflow) temperatures. In the event that a part has multiple moisture sensitivity ratings, only the lowest level per JEDEC standards is shown. Refer to the shipping label for the actual reflow temperature that will be used to mount the part to the printed circuit board.

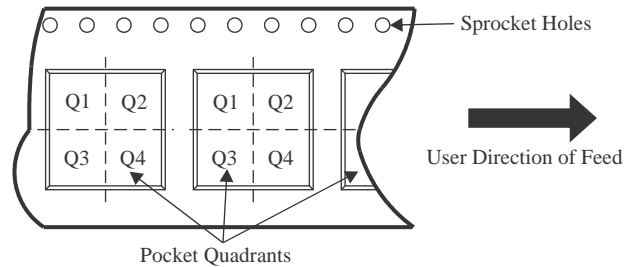
(6) **Part marking:** There may be an additional marking, which relates to the logo, the lot trace code information, or the environmental category of the part.

Multiple part markings will be inside parentheses. Only one part marking contained in parentheses and separated by a "~" will appear on a part. If a line is indented then it is a continuation of the previous line and the two combined represent the entire part marking for that device.

Important Information and Disclaimer:The information provided on this page represents TI's knowledge and belief as of the date that it is provided. TI bases its knowledge and belief on information provided by third parties, and makes no representation or warranty as to the accuracy of such information. Efforts are underway to better integrate information from third parties. TI has taken and continues to take reasonable steps to provide representative and accurate information but may not have conducted destructive testing or chemical analysis on incoming materials and chemicals. TI and TI suppliers consider certain information to be proprietary, and thus CAS numbers and other limited information may not be available for release.

In no event shall TI's liability arising out of such information exceed the total purchase price of the TI part(s) at issue in this document sold by TI to Customer on an annual basis.

TAPE AND REEL INFORMATION

QUADRANT ASSIGNMENTS FOR PIN 1 ORIENTATION IN TAPE


*All dimensions are nominal

Device	Package Type	Package Drawing	Pins	SPQ	Reel Diameter (mm)	Reel Width W1 (mm)	A0 (mm)	B0 (mm)	K0 (mm)	P1 (mm)	W (mm)	Pin1 Quadrant
TL4050A50QDBZRQ1	SOT-23	DBZ	3	3000	179.0	8.4	3.15	2.95	1.22	4.0	8.0	Q3
TL4050A50QDCKRQ1	SC70	DCK	5	3000	179.0	8.4	2.2	2.5	1.2	4.0	8.0	Q3
TL4050A50QDCKRQ1	SC70	DCK	5	3000	180.0	8.4	2.3	2.55	1.2	4.0	8.0	Q3
TL4050B25QDBZRQ1	SOT-23	DBZ	3	3000	179.0	8.4	3.15	2.95	1.22	4.0	8.0	Q3
TL4050B25QDCKRQ1	SC70	DCK	5	3000	179.0	8.4	2.2	2.5	1.2	4.0	8.0	Q3
TL4050B25QDCKRQ1	SC70	DCK	5	3000	180.0	8.4	2.3	2.55	1.2	4.0	8.0	Q3
TL4050B41QDBZRQ1	SOT-23	DBZ	3	3000	179.0	8.4	3.15	2.95	1.22	4.0	8.0	Q3
TL4050B50QDBZRQ1	SOT-23	DBZ	3	3000	179.0	8.4	3.15	2.95	1.22	4.0	8.0	Q3
TL4050B50QDCKRQ1	SC70	DCK	5	3000	180.0	8.4	2.3	2.55	1.2	4.0	8.0	Q3
TL4050B50QDCKRQ1	SC70	DCK	5	3000	179.0	8.4	2.2	2.5	1.2	4.0	8.0	Q3
TL4050C20QDBZRQ1	SOT-23	DBZ	3	3000	180.0	8.4	3.2	2.85	1.3	4.0	8.0	Q3
TL4050C20QDBZRQ1	SOT-23	DBZ	3	3000	179.0	8.4	3.15	2.95	1.22	4.0	8.0	Q3
TL4050C50QDBZRQ1	SOT-23	DBZ	3	3000	179.0	8.4	3.15	2.95	1.22	4.0	8.0	Q3
TL4050C50QDBZRQ1	SOT-23	DBZ	3	3000	180.0	8.4	3.2	2.85	1.3	4.0	8.0	Q3

TAPE AND REEL BOX DIMENSIONS


*All dimensions are nominal

Device	Package Type	Package Drawing	Pins	SPQ	Length (mm)	Width (mm)	Height (mm)
TL4050A50QDBZRQ1	SOT-23	DBZ	3	3000	200.0	183.0	25.0
TL4050A50QDCKRQ1	SC70	DCK	5	3000	200.0	183.0	25.0
TL4050A50QDCKRQ1	SC70	DCK	5	3000	210.0	185.0	35.0
TL4050B25QDBZRQ1	SOT-23	DBZ	3	3000	200.0	183.0	25.0
TL4050B25QDCKRQ1	SC70	DCK	5	3000	200.0	183.0	25.0
TL4050B25QDCKRQ1	SC70	DCK	5	3000	210.0	185.0	35.0
TL4050B41QDBZRQ1	SOT-23	DBZ	3	3000	200.0	183.0	25.0
TL4050B50QDBZRQ1	SOT-23	DBZ	3	3000	200.0	183.0	25.0
TL4050B50QDCKRQ1	SC70	DCK	5	3000	210.0	185.0	35.0
TL4050B50QDCKRQ1	SC70	DCK	5	3000	200.0	183.0	25.0
TL4050C20QDBZRQ1	SOT-23	DBZ	3	3000	210.0	185.0	35.0
TL4050C20QDBZRQ1	SOT-23	DBZ	3	3000	200.0	183.0	25.0
TL4050C50QDBZRQ1	SOT-23	DBZ	3	3000	200.0	183.0	25.0
TL4050C50QDBZRQ1	SOT-23	DBZ	3	3000	210.0	185.0	35.0

EXAMPLE BOARD LAYOUT

DCK0005A

SOT - 1.1 max height

SMALL OUTLINE TRANSISTOR



LAND PATTERN EXAMPLE
EXPOSED METAL SHOWN
SCALE:18X



SOLDER MASK DETAILS

4214834/G 11/2024

NOTES: (continued)

- 7. Publication IPC-7351 may have alternate designs.
- 8. Solder mask tolerances between and around signal pads can vary based on board fabrication site.

EXAMPLE STENCIL DESIGN

DCK0005A

SOT - 1.1 max height

SMALL OUTLINE TRANSISTOR



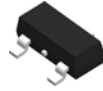
SOLDER PASTE EXAMPLE
BASED ON 0.125 THICK STENCIL
SCALE: 18X

4214834/G 11/2024

NOTES: (continued)

9. Laser cutting apertures with trapezoidal walls and rounded corners may offer better paste release. IPC-7525 may have alternate design recommendations.
10. Board assembly site may have different recommendations for stencil design.

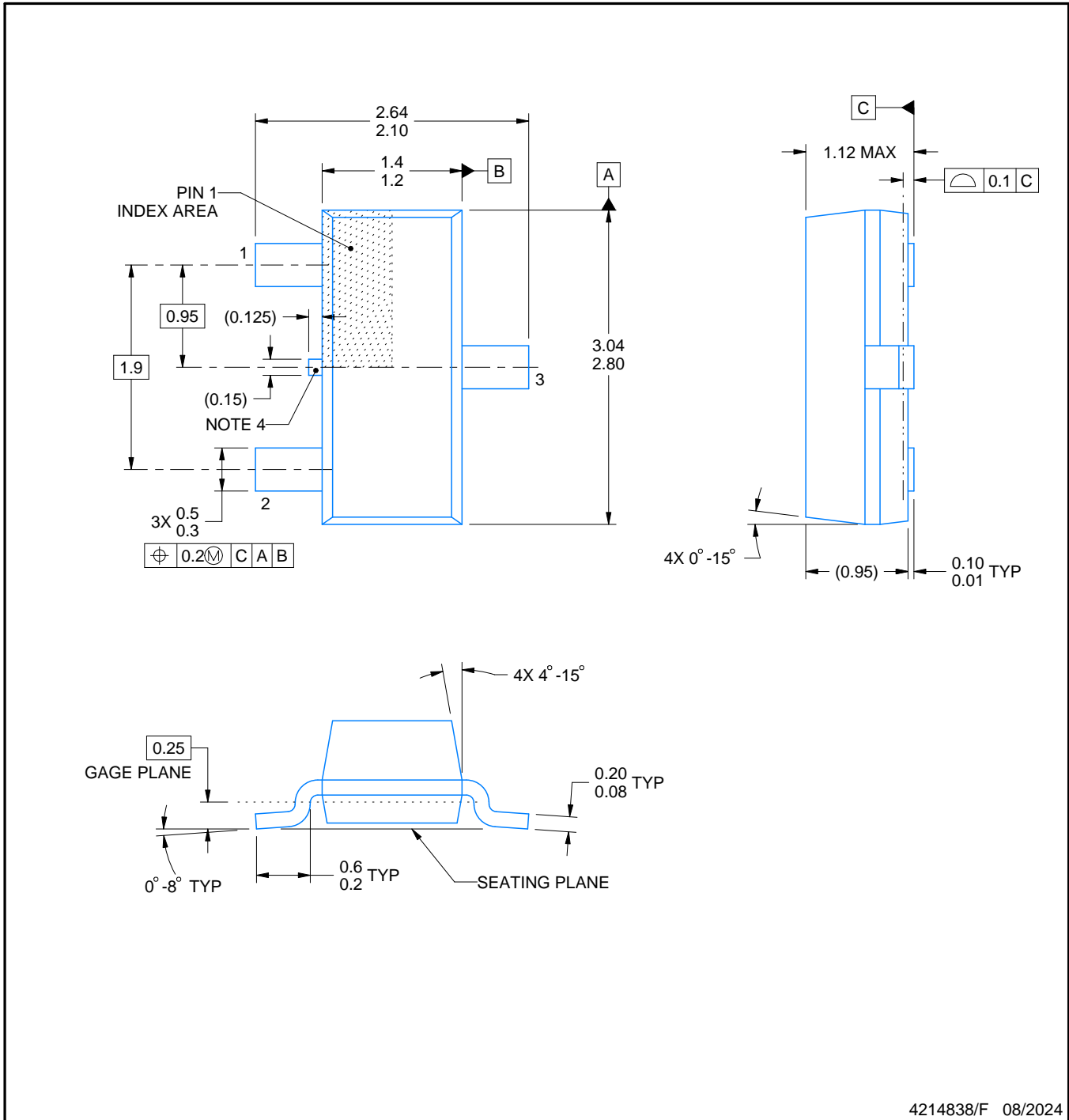
DBZ0003A



PACKAGE OUTLINE

SOT-23 - 1.12 mm max height

SMALL OUTLINE TRANSISTOR



4214838/F 08/2024

NOTES:

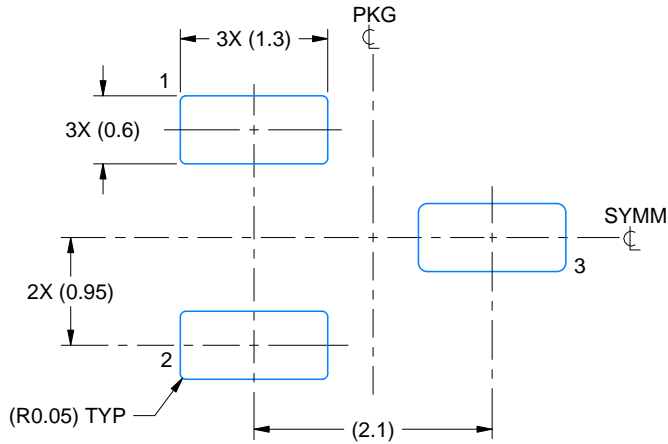
1. All linear dimensions are in millimeters. Any dimensions in parenthesis are for reference only. Dimensioning and tolerancing per ASME Y14.5M.
2. This drawing is subject to change without notice.
3. Reference JEDEC registration TO-236, except minimum foot length.
4. Support pin may differ or may not be present.
5. Body dimensions do not include mold flash, protrusions, or gate burrs. Mold flash, protrusions, or gate burrs shall not exceed 0.25mm per side

EXAMPLE BOARD LAYOUT

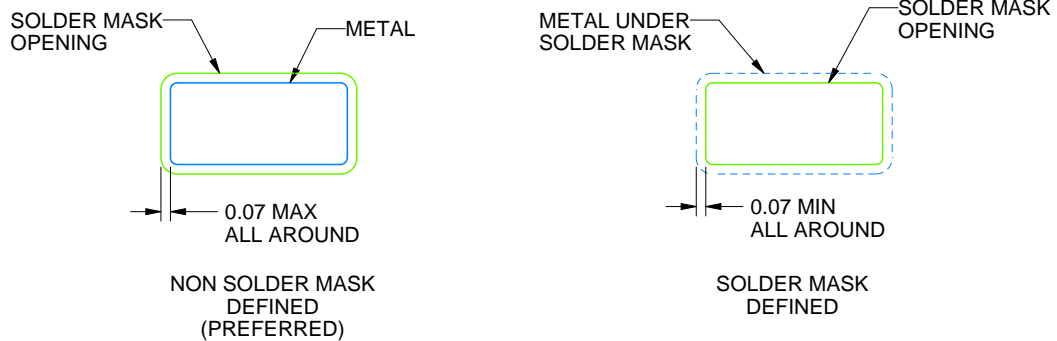
DBZ0003A

SOT-23 - 1.12 mm max height

SMALL OUTLINE TRANSISTOR



LAND PATTERN EXAMPLE
SCALE:15X



SOLDER MASK DETAILS

4214838/F 08/2024

NOTES: (continued)

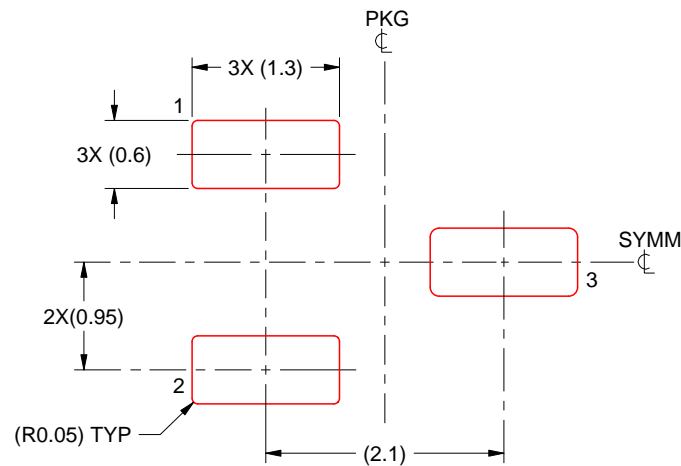
5. Publication IPC-7351 may have alternate designs.
6. Solder mask tolerances between and around signal pads can vary based on board fabrication site.

EXAMPLE STENCIL DESIGN

DBZ0003A

SOT-23 - 1.12 mm max height

SMALL OUTLINE TRANSISTOR



SOLDER PASTE EXAMPLE
BASED ON 0.125 THICK STENCIL
SCALE:15X

4214838/F 08/2024

NOTES: (continued)

7. Laser cutting apertures with trapezoidal walls and rounded corners may offer better paste release. IPC-7525 may have alternate design recommendations.
8. Board assembly site may have different recommendations for stencil design.

IMPORTANT NOTICE AND DISCLAIMER

TI PROVIDES TECHNICAL AND RELIABILITY DATA (INCLUDING DATASHEETS), DESIGN RESOURCES (INCLUDING REFERENCE DESIGNS), APPLICATION OR OTHER DESIGN ADVICE, WEB TOOLS, SAFETY INFORMATION, AND OTHER RESOURCES "AS IS" AND WITH ALL FAULTS, AND DISCLAIMS ALL WARRANTIES, EXPRESS AND IMPLIED, INCLUDING WITHOUT LIMITATION ANY IMPLIED WARRANTIES OF MERCHANTABILITY, FITNESS FOR A PARTICULAR PURPOSE OR NON-INFRINGEMENT OF THIRD PARTY INTELLECTUAL PROPERTY RIGHTS.

These resources are intended for skilled developers designing with TI products. You are solely responsible for (1) selecting the appropriate TI products for your application, (2) designing, validating and testing your application, and (3) ensuring your application meets applicable standards, and any other safety, security, regulatory or other requirements.

These resources are subject to change without notice. TI grants you permission to use these resources only for development of an application that uses the TI products described in the resource. Other reproduction and display of these resources is prohibited. No license is granted to any other TI intellectual property right or to any third party intellectual property right. TI disclaims responsibility for, and you fully indemnify TI and its representatives against any claims, damages, costs, losses, and liabilities arising out of your use of these resources.

TI's products are provided subject to [TI's Terms of Sale](#), [TI's General Quality Guidelines](#), or other applicable terms available either on ti.com or provided in conjunction with such TI products. TI's provision of these resources does not expand or otherwise alter TI's applicable warranties or warranty disclaimers for TI products. Unless TI explicitly designates a product as custom or customer-specified, TI products are standard, catalog, general purpose devices.

TI objects to and rejects any additional or different terms you may propose.

Copyright © 2026, Texas Instruments Incorporated

Last updated 10/2025