

TMP814 Variable Speed Single-phase Full-wave Fan Motor Predriver

1 Features

- Predriver for Single-Phase Full-Wave Drive
 - PNP-NMOS is Used as an External Power TR, Enabling High-Efficiency Low-Consumption Drive by Means of the Low-Saturation Output and Single-Phase Full-Wave Drive (PMOS-NMOS Also Applicable)
- External PWM Input Enabling Variable Speed Control
 - Separately-Excited Upper Direct PWM (f = 25 kHz) Control Method, Enabling Highly Silent Speed Control
- Compatible with 12-V, 24-V, and 48-V Power Supplies
- Current Limiter Circuit Incorporated
 - Chopper Type Current Limit at Start
- Reactive Current Cut Circuit Incorporated
 - Reactive Current Before Phase Change is Cut to Enable Silent and Low-Consumption Drive
- Minimum Speed Setting Pin
 - Minimum Speed Can Be Set With External Resistor. Start Assistance Circuit Enables Start at Extremely Low Speed.
- Constant-Voltage Output Pin for Hall Bias

- Lock Protection and Automatic Reset Functions Incorporated
- FG (Rotation Speed Detection) and RD (Lock Detection) Output

2 Applications

- Server Fans (Up to 48 V)
- Appliance Fans (Up to 48 V)

3 Description

The TMP814 is a single-phase bipolar variable speed fan motor predriver that works with an external PWM signal. A highly efficient, quiet and low-power consumption motor driver circuit, with a large variable speed, can be implemented by adding a small number of external components.

This device is optimal for driving large scale fan motors (with large air volume and large current) such as those used in servers and consumer products.

Device Information⁽¹⁾

PART NUMBER	PACKAGE	BODY SIZE (NOM)
TMP814	TSSOP (PW)	4.40 mm x 6.50 mm

(1) For all available packages, see the orderable addendum at the end of the data sheet.

Simplified Schematic

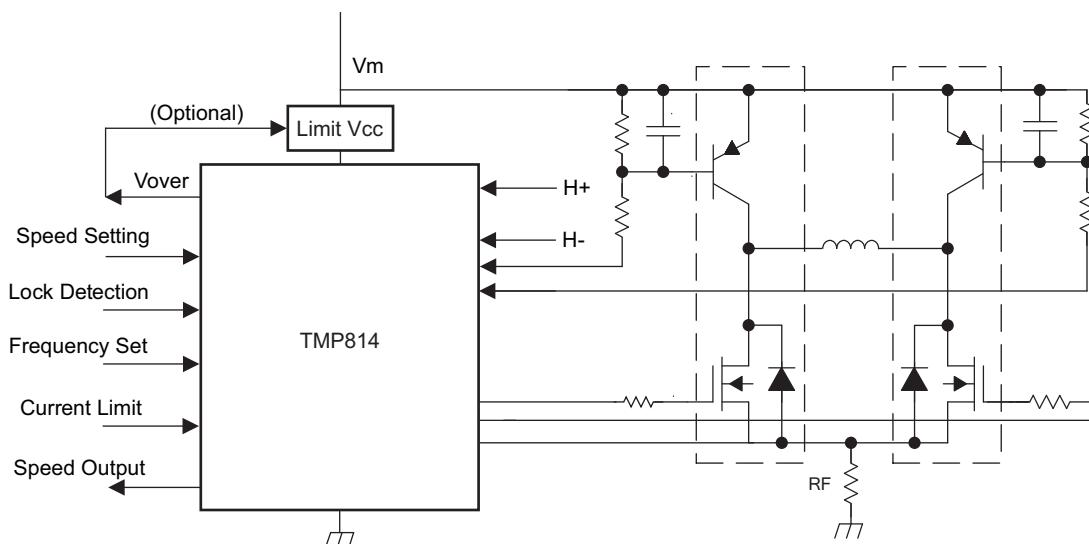


Table of Contents

1 Features	1	7.3 Feature Description.....	8
2 Applications	1	7.4 Device Functional Modes.....	10
3 Description	1	8 Application and Implementation	11
4 Revision History	2	8.1 Application Information.....	11
5 Pin Configuration and Functions	3	8.2 Typical Applications	12
6 Specifications	4	9 Power Supply Recommendations	15
6.1 Absolute Maximum Ratings	4	10 Layout	15
6.2 ESD Ratings	4	10.1 Layout Guidelines	15
6.3 Recommended Operating Conditions.....	4	10.2 Layout Example	15
6.4 Thermal Information	4	11 Device and Documentation Support	16
6.5 Electrical Characteristics.....	5	11.1 Community Resources.....	16
6.6 Typical Characteristics.....	7	11.2 Trademarks	16
7 Detailed Description	8	11.3 Electrostatic Discharge Caution.....	16
7.1 Overview	8	11.4 Glossary	16
7.2 Functional Block Diagram	8	12 Mechanical, Packaging, and Orderable Information	16

4 Revision History

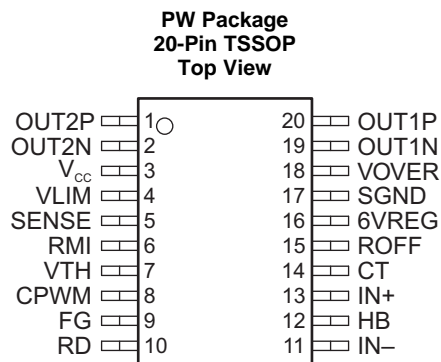
Changes from Original (May 2009) to Revision A

Page

- Added *ESD Ratings* table, *Feature Description* section, *Device Functional Modes*, *Application and Implementation* section, *Power Supply Recommendations* section, *Layout* section, *Device and Documentation Support* section, and *Mechanical, Packaging, and Orderable Information* section.

1

5 Pin Configuration and Functions



Pin Functions

PIN		I/O	DESCRIPTION
NO.	NAME		
1	OUT2P	O	Upper-side driver output
2	OUT2N	O	Lower-side driver output
3	VCC		Power supply. For the CM capacitor that is a power stabilization capacitor for PWM drive and for absorption of kickback, the capacitance of 0.1 μ F to 1 μ F is used. In this device, the lower TR performs current regeneration by switching the upper TR. Connect CM between V _{CC} and GND, with the thick pattern and along the shortest route. Use a zener diode if kickback causes excessive increase of the supply voltage, because such increase may damage the device.
4	VLIM	I	Activates the current limiter when SENSE voltage is greater than VLIM voltage. Connect to 6VREG when not used.
5	SENSE	I	Sense input. Connect to GND when not used.
6	RMI	I	Minimum speed setting. Connect to 6VREG when not used. If device power can be removed before power is removed from RMI, insert a current limiting resistor to prevent inflow of large current.
7	VTH	I	VTH : Connect to GND if not used (Full Speed).
8	CPWM	O	Connect to capacitor CP to set the PWM oscillation frequency. With CP = 100 pF, oscillation occurs at 25 kHz and provides the basic frequency of PWM.
9	FG	O	Open collector output, which can detect the rotation speed using the FG output according to the phase shift. Leave open when not used.
10	RD	O	Open collector output. Outputs low during rotation and high at stop. Leave open when not used.
11	IN-	I	Hall input
12	HB	O	This is a Hall element bias, that is, the 1.5-V constant-voltage output.
13	IN+	I	Hall input. Make connecting traces as short as possible to prevent carrying of noise. To further limit noise, insert a capacitor between IN+ and IN-. The Hall input circuit is a comparator having a hysteresis of 20 mV. The application should ensure that the Hall input level more than three times (60 mVp-p) this hysteresis.
14	CT	O	Lock detection time setting. Capacitor CT is connected.
15	ROFF	I	Sets the soft switching time to cut the reactive current before phase change. Connect to 6VREG when not used.
16	6VREG	O	6-V regulator output
17	SGND		Connected to the control circuit power supply system.
18	VOVER	O	Constant-voltage bias and should be used for application of 24 V and 48 V (see Figure 7). A current limiting resistor should be used. Leave open when not used.
19	OUT1N	O	Lower-side driver output
20	OUT1P	O	Upper-side driver output

6 Specifications

6.1 Absolute Maximum Ratings

over operating free-air temperature range (unless otherwise noted)⁽¹⁾

		MIN	MAX	UNIT
V _{CC}	Supply voltage		18	V
V _{OUT}	Output voltage	OUT1P, OUT1N, OUT2P, OUT2N	18	V
I _{OUT}	Continuous output current	OUT1P, OUT1N, OUT2P, OUT2N	50	mA
I _{HB}	Continuous output current	HB	10	mA
V _{TH}	Input voltage	VTH	8	V
V _{RD} V _{FG}	Output voltage	RD, FG	18	V
I _{RD} I _{FG}	Continuous output current	RD, FG	10	mA
T _{stg}	Storage temperature	-65	150	°C

- (1) Stresses beyond those listed under "absolute maximum ratings" may cause permanent damage to the device. These are stress ratings only, and functional operation of the device at these or any other conditions beyond those indicated under "recommended operating conditions" is not implied. Exposure to absolute-maximum-rated conditions for extended periods may affect device reliability.

6.2 ESD Ratings

		VALUE	UNIT
V _(ESD)	Electrostatic discharge	Human body model (HBM), per ANSI/ESDA/JEDEC JS-001, all pins ⁽¹⁾	±2500
		Charged device model (CDM), per JEDEC specification JESD22-C101, all pins ⁽²⁾	±1000

- (1) JEDEC document JEP155 states that 500-V HBM allows safe manufacturing with a standard ESD control process.
 (2) JEDEC document JEP157 states that 250-V CDM allows safe manufacturing with a standard ESD control process.

6.3 Recommended Operating Conditions

T_A = 25°C

		MIN	MAX	UNIT
V _{CC}	Supply voltage	6	16	V
V _{TH}	VTH input voltage	0	7	V
V _{ICM}	Hall input common phase input voltage	0.2	3	V
T _A	Operating free-air temperature	-30	95	°C

6.4 Thermal Information

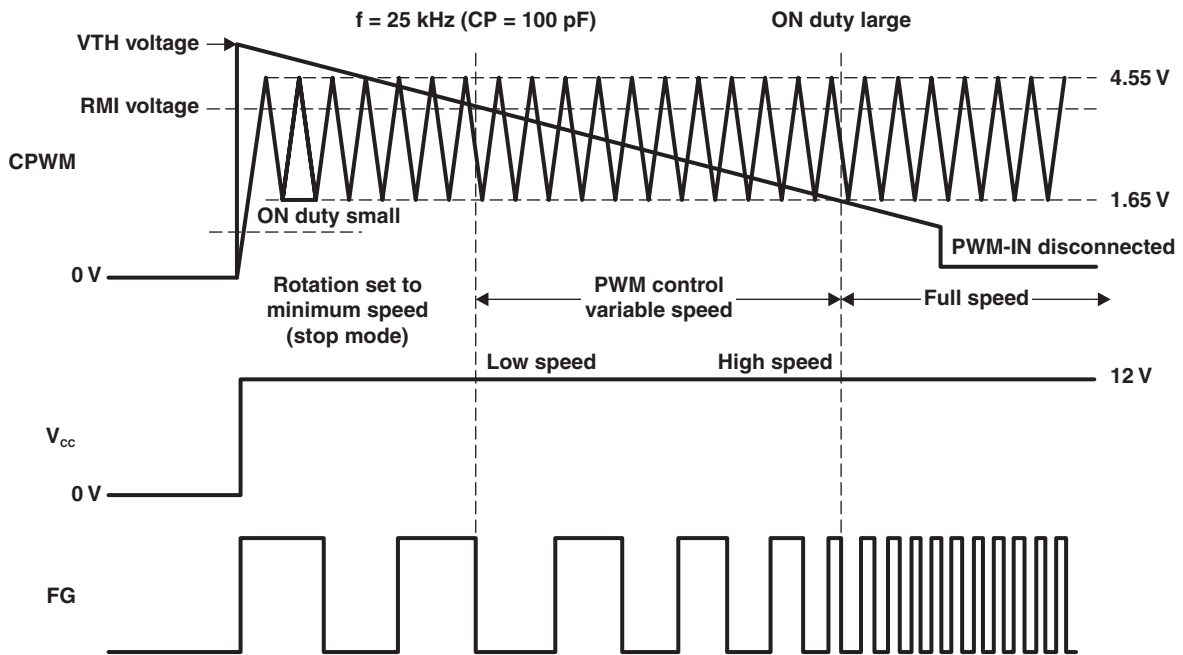
THERMAL METRIC ⁽¹⁾		TMP814	UNIT
		PW (TSSOP)	
		20 PINS	
R _{θJA}	Junction-to-ambient thermal resistance	83	°C/W
R _{θJC(top)}	Junction-to-case (top) thermal resistance	90.6	°C/W
R _{θJB}	Junction-to-board thermal resistance	42.1	°C/W
ψ _{JT}	Junction-to-top characterization parameter	24.3	°C/W
ψ _{JB}	Junction-to-board characterization parameter	0.9	°C/W
R _{θJC(bot)}	Junction-to-case (bottom) thermal resistance	41.5	°C/W

- (1) For more information about traditional and new thermal metrics, see the *Semiconductor and IC Package Thermal Metrics* application report, [SPRA953](#).

6.5 Electrical Characteristics

 $V_{CC} = 12\text{ V}$, $T_A = 25^\circ\text{C}$ (unless otherwise noted)

PARAMETER			TEST CONDITIONS	MIN	TYP	MAX	UNIT	
V_{6VREG}	Output voltage	6VREG	$I_{HB} = 5\text{ mA}$	5.8	6	6.15	V	
V_{VOVER}	Output voltage	VOVER		12	12.8	13.6	V	
V_{CRH}	High-level output voltage	CPWM		4.35	4.55	4.75	V	
V_{CRL}	Low-level output voltage			1.45	1.65	1.85	V	
f_{PWM}	Oscillation frequency			$CP = 100\text{ pF}$	18	25	32	kHz
V_{CTH}	High-level output voltage	CT		3.4	3.6	3.8	V	
V_{CTL}	Low-level output voltage			1.4	1.6	1.8	V	
I_{CT1}	Charge current			1.6	2	2.5	μA	
I_{CT2}	Discharge current			0.16	0.2	0.28	μA	
R_{CT}	Charge/discharge current ratio			8	10	12		
V_{ON}	Output voltage			OUT_N	$I_O = 20\text{ mA}$	4	10	
I_{OP}	Sink current	OUT_P		15	20		mA	
V_{HN}	Hall input sensitivity	H+, H-	Zero peak value (including offset and hysteresis)		10	20	mV	
V_{RD} V_{FG}	Low-level output voltage	RD, FG	$I_{RD} = 5\text{ mA}$ or $I_{FG} = 5\text{ mA}$		0.15	0.3	V	
I_{RDL} I_{FGL}	Output leakage current			$V_{RD} = 16\text{ V}$ or $V_{FG} = 16\text{ V}$			30	μA
I_{CC}	Supply current			During drive	4	10	14	mA
		During lock protection	4	10	14			



- A. Minimum speed setting (stop) mode
 PWM-IN input is filtered to generate the VTH voltage. At low speed, the fan rotates with the minimum speed set with RMI during low speed. If the minimum speed is not set (RMI = 6VREG), the fan stops.
- B. Low ↔ high speed mode
 PWM control is made through comparison of oscillation and VTH voltages with CPWM changing between 1.6 V ↔ 4.6 V.
 Upper and lower TRs are turned ON when the VTH voltage is greater. The upper output TR is turned OFF when the VTH voltage is lower, and the coil current is regenerated in the lower TR. Therefore, as the VTH voltage lowers, the output ON duty increases, increasing the coil current and raising the motor speed. The rotation speed is fed back by the FG output.
- C. Full speed mode
 The full-speed mode becomes effective with the VTH voltage of 1.65 V or less. (VTH must be equal to GND when the speed control is not used.)
- D. PWM-IN input disconnection mode
 When the PWM-IN input pin is disconnected, VTH becomes 1.65 V or less and the output enables full drive at 100%. The fan runs at full speed (see [Figure 3](#)).

Figure 1. Control Timing

6.6 Typical Characteristics

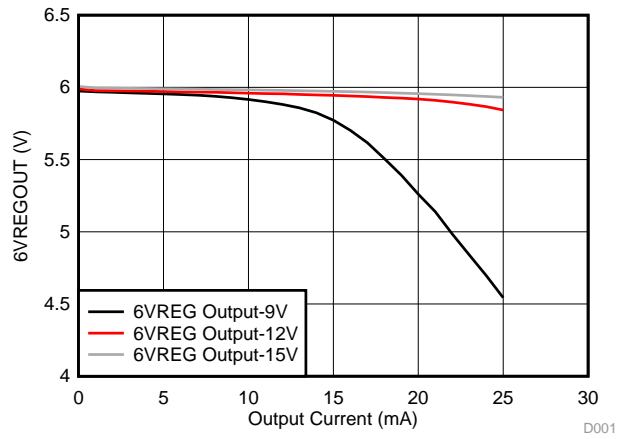


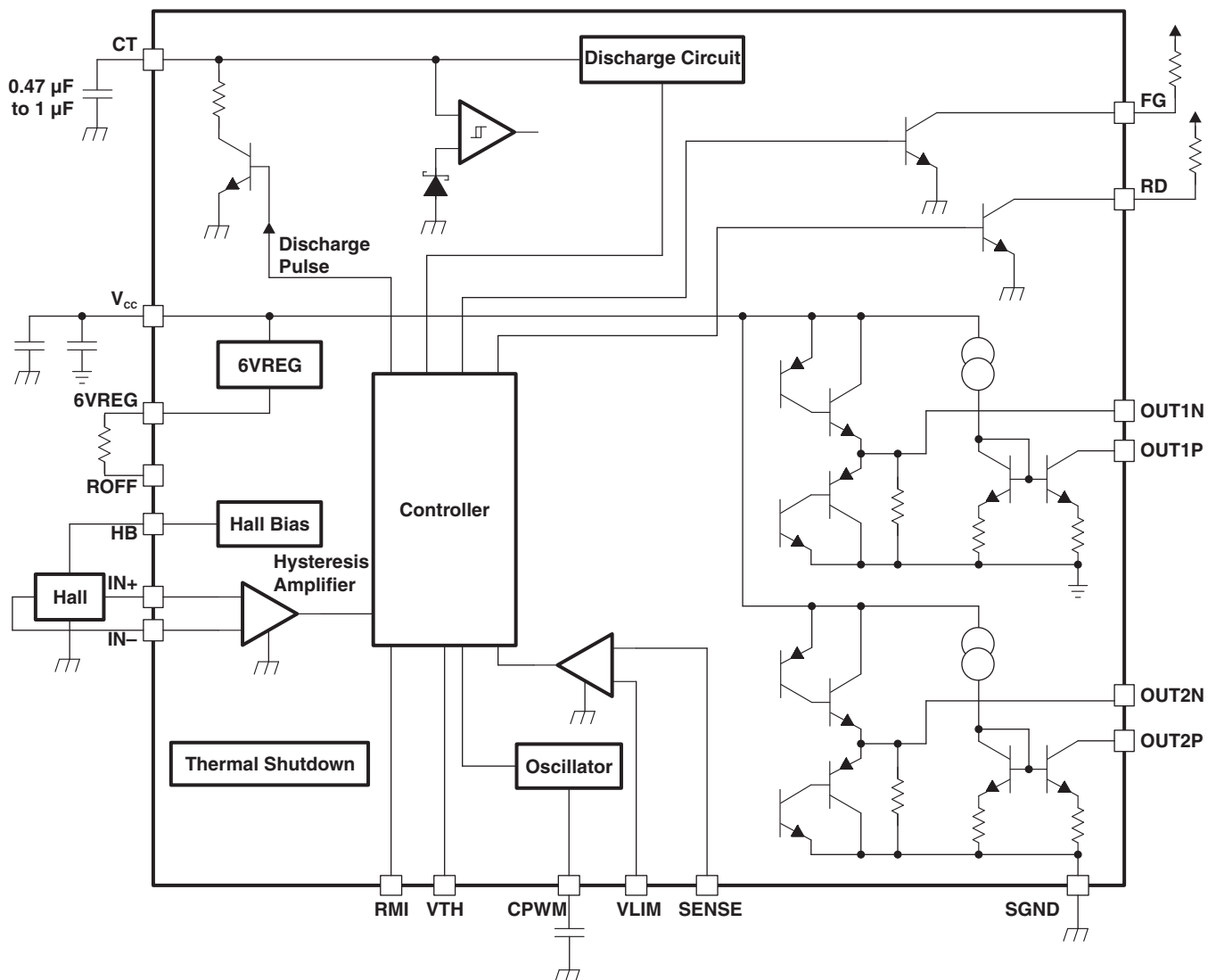
Figure 2. 6VREGOUT Load Regulation

7 Detailed Description

7.1 Overview

The TMP814 device is a single phase bipolar predriver which uses the hall sensor & speed control inputs for driving the single phase motor connected through H Bridge. The predriver outputs are designed for driving top side P-type devices and bottom side N-channel FETs in the bridge. Multiple protections like overcurrent, soft-start, speed control, lock detect, speed feedback and minimum speed are incorporated in the device. The circuit can be used for driving the 24-V or 48-V system using a VOVER pin, which protects the V_{CC} to be less than the limit of 18 V.

7.2 Functional Block Diagram



7.3 Feature Description

7.3.1 Speed Control

The speed control functionality is obtained by VTH pin of the device. For pulsed inputs user can supply a 20 kHz–100 kHz frequency input (20 kHz to 50 kHz recommended on the pin with a current limiting resistor in between). If not used, this pin needs to be connected to ground for full speed.

Feature Description (continued)

7.3.2 Constant Voltage Bias

Constant Voltage Bias is provided through VOVER Pin. This must be used for applications of 24 V and 48 V. See [Figure 3](#). This drive limits the V_{CC} under permissible values even when $V_m > 18$ V. Leave this pin open when not in use.

7.3.3 Soft-Start

Soft-Start Time can be using the ROFF pin. Connect 6 to 6VREG is not used.

7.3.4 Lock Detection

When the rotor is locked by external means or load conditions, The lock detection feature helps to protect the circuit by not allowing the current to rise beyond control. A hiccup mechanism is also provided. The lock detection is enabled by a connection to the lock detection capacitor. When the pin voltage rises to 1.2 V, the constant current charge and discharge circuits cause the drive to and enables it back when voltage reaches 0. If lock detection feature is not desired in the application, then this pin must be connected to ground.

7.3.5 Current Limit

Current limit resistor is connected in a return path of H Bridge connection. This input is connected to the SENSE pin where the Current is limited when the voltage across this resistor crosses the voltage at VLIM Pin. If not used, this pin needs to be connected to ground.

7.3.6 Minimum Speed Setting

Minimum speed setting feature is used with the RMI pin in the device. Connect to 6VREG with a pullup resistor if not used.

7.3.7 Speed Output

The speed of the motor while running can be observed at the FG pin which is an open collector output and needs to be pulled high for using it.

7.3.8 Drive Frequency Selection

The P channel switches in the device are switched with higher frequency whose duty cycle is decided by the speed control input. The frequency of the operation can be decided by the capacitor connected at the CPWM pin. As this is used also for the current limiting canceling signal, be sure to connect the capacitor even when speed control is not used.

7.4 Device Functional Modes

Table 1. Truth Table⁽¹⁾

IN–	IN+	CT	OUT1P	OUT1N	OUT2P	OUT2N	FG	RD	MODE
H	L	L	L	–	–	H	L	L	OUT1 → 2 drive
L	H		–	H	L	–	OFF		OUT2 → 1 drive
H	L	H	OFF	–	–	H	L	OFF	Lock protection
L	H		–	H	OFF	–	OFF		

(1) During full-speed rotation

VTH	CPWM	IN–	IN+	OUT1P	OUT1N	OUT2P	OUT2N	MODE
L	H	H	L	L	–	–	H	OUT1 → 2 Drive
		L	H	–	H	L	–	OUT2 → 1 Drive
H	L	H	L	OFF	–	–	H	During rotation, regeneration in lower TR
		L	H	–	H	OFF	–	

8 Application and Implementation

NOTE

Information in the following applications sections is not part of the TI component specification, and TI does not warrant its accuracy or completeness. TI's customers are responsible for determining suitability of components for their purposes. Customers should validate and test their design implementation to confirm system functionality.

8.1 Application Information

The TMP814 device requires few external components for the features described in [Feature Description](#). The device needs a 1- μ F or more capacitor connected at VCC. The device generates 6-V regulated output which can be used for pullups in the circuit as well as the Hall sensor.

8.2 Typical Applications

8.2.1 12-V Sample Application Circuit

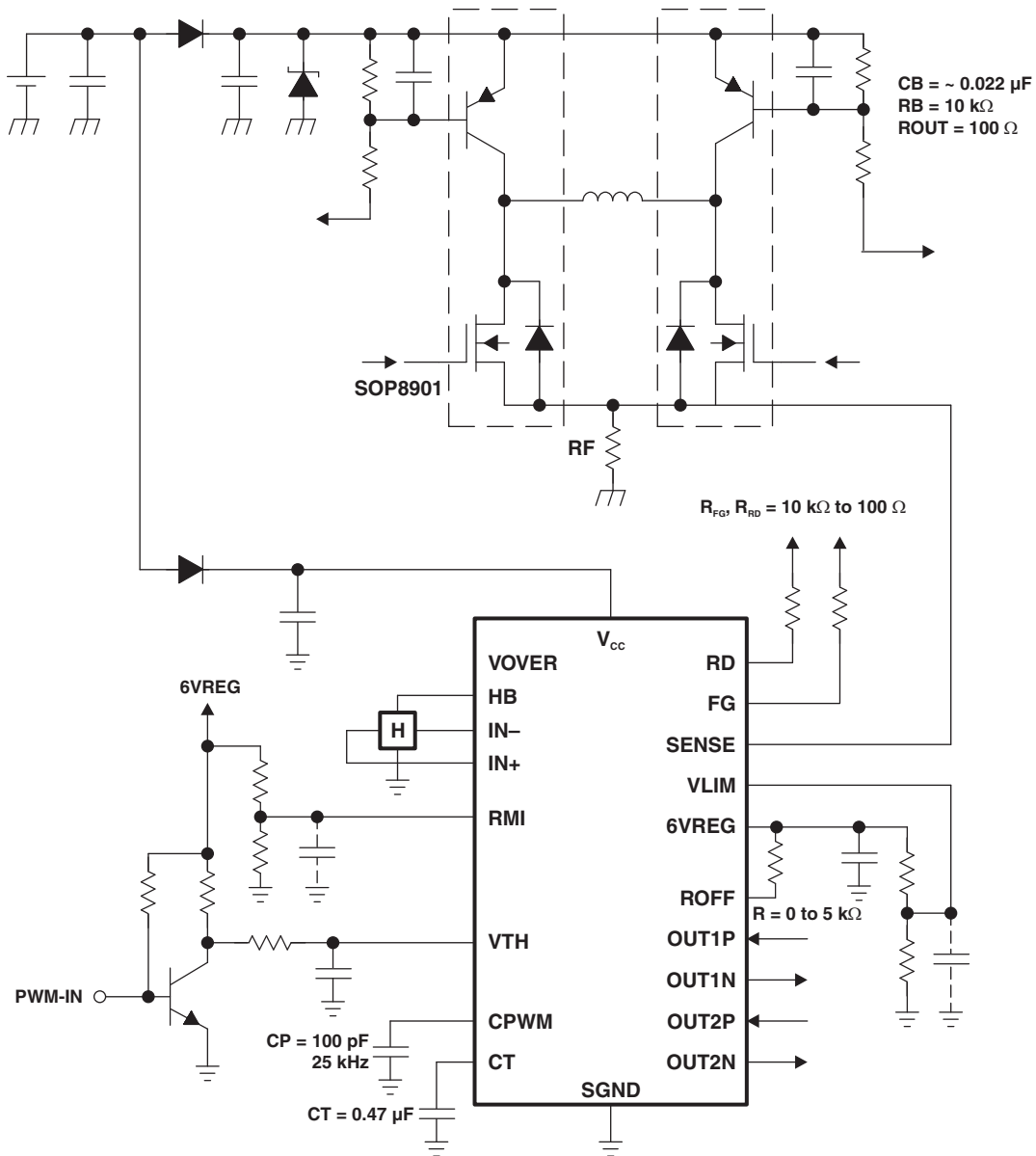


Figure 3. 12-V Sample Application Circuit

8.2.1.1 Design Requirements

Input Voltage: 6 to 16 V

VCC capacitor: 1 uF or more

H Bridge top side: P-channel FETs

H Bridge bottom side: N-channel FETs

8.2.1.2 Detailed Design Procedure

Pins:

- CPWM Capacitor: 100 pF for 25 kHz switching or appropriate.

Typical Applications (continued)

- VTH Pin connected to Ground for Full speed or supplied with pulsed input.
- RMI Pin Pulled high to 6VREG output or external connection if required.
- ROFF pulled to 6VREG.
- 6VREG connected to Hall Sensor. Hall sensor differential inputs connected to IN+ and IN-.
- SENSE pin or GND.
- CT connected to Lock Detection capacitor (0.47uF or calculated values) or to GND.
- Drive outputs connected to the Gates of the H bridge switches.
- Pullup on FG.
- VLIM and VOVER kept open.

Power Supply:

- Make sure the power supply has set with sufficient current limit at the decided at the motor voltage.

Build the circuit with previously recommended connections at the pins.

Test the motor circuit with hardware connected to it.

8.2.1.3 Application Curves

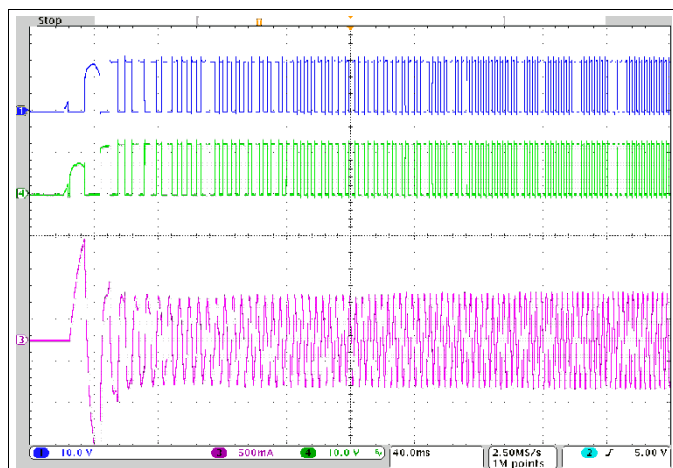


Figure 4. Start-up at 12 V

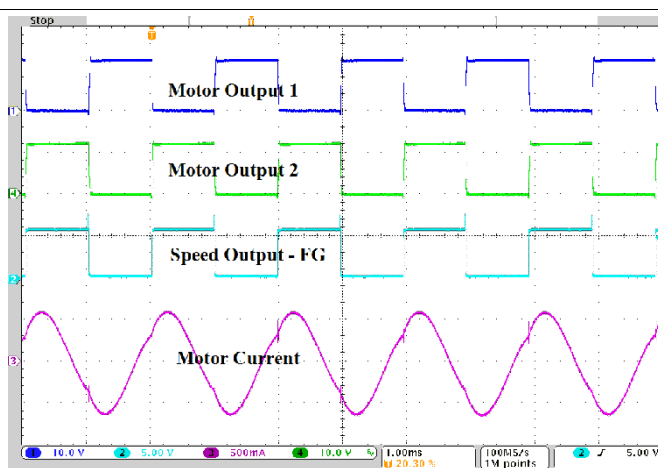


Figure 5. Motor Outputs and Phase Current at 100% Duty Cycle

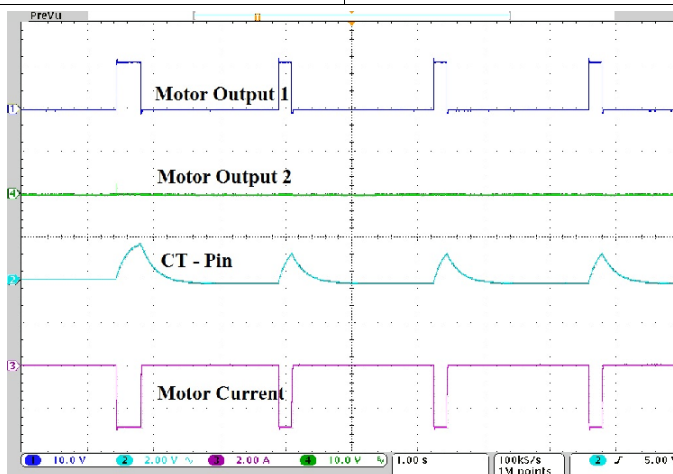


Figure 6. Lock Detection Waveform

Typical Applications (continued)
8.2.2 24-V/48-V Sample Application Circuit

The device can be used for $V_m > V_{CC}$ (that is, 24/48 V). The $VOVER$ pin and associated circuit help keep V_{CC} of the device below the V_{CC} limits of the device, allowing V_m to go at 24/48V.

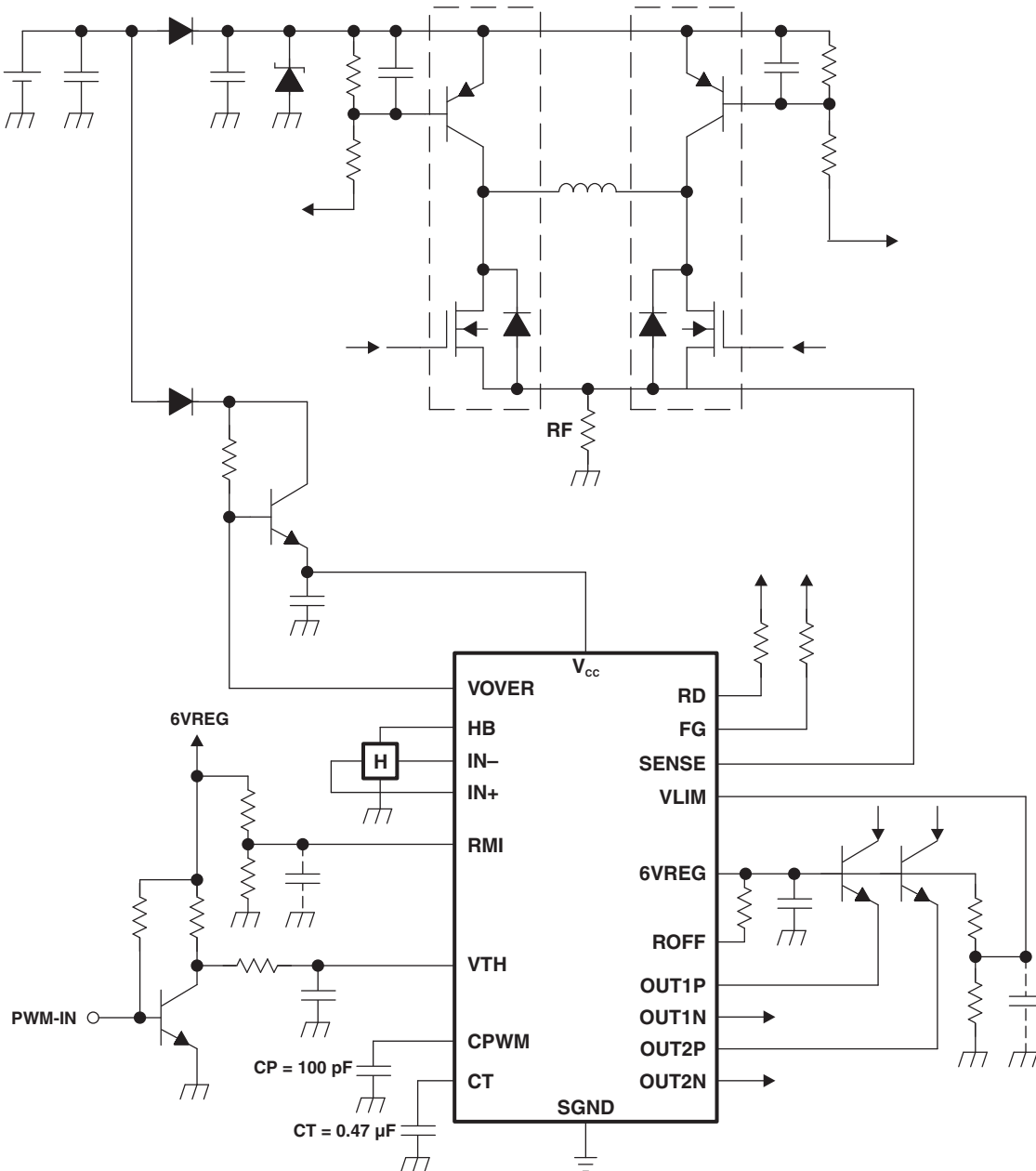


Figure 7. 24-V/48-V Sample Application Circuit

9 Power Supply Recommendations

For testing purposes, a current limited source can be connected with voltage from 6 V to 16 V on printed-circuit-board. Use a 1- μ F capacitor (minimum) to take care of load transient requirements.

10 Layout

10.1 Layout Guidelines

Connect a minimum of 1- μ F or greater capacitor close to the power supply pins. Connect other capacitors and resistors according to the calculations (for example, the pullup resistors should be connected at various pins, the c capacitors should be connected at lock detect, and so forth.)

10.2 Layout Example

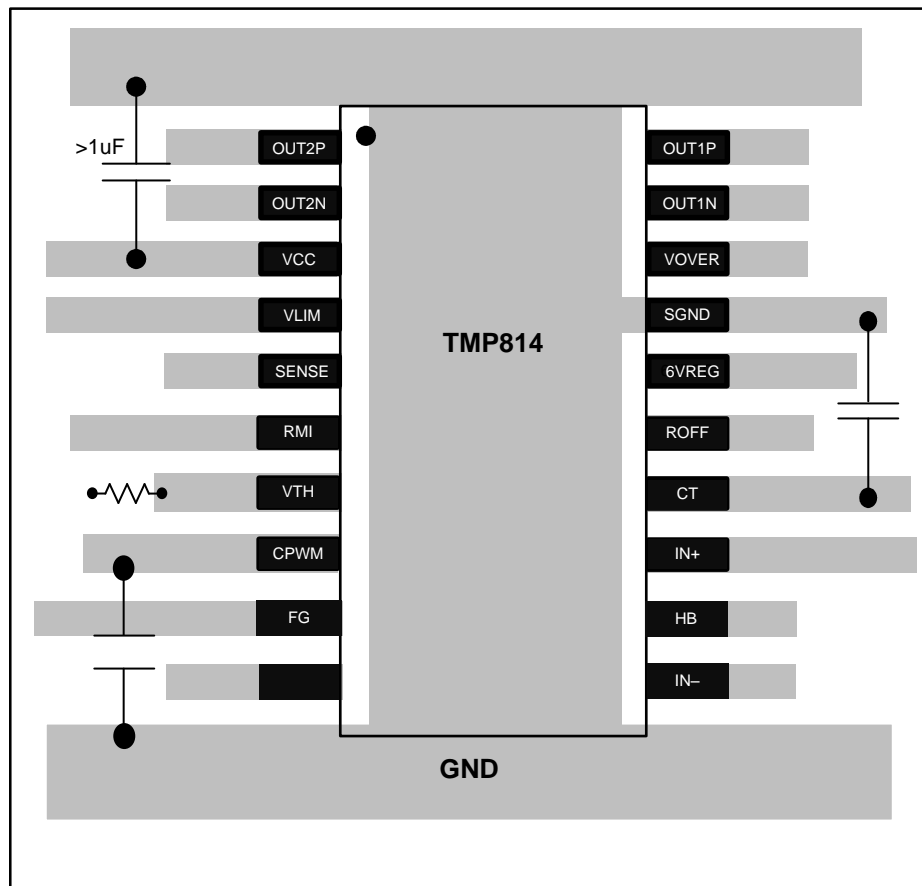


Figure 8. Recommended Layout

11 Device and Documentation Support

11.1 Community Resources

The following links connect to TI community resources. Linked contents are provided "AS IS" by the respective contributors. They do not constitute TI specifications and do not necessarily reflect TI's views; see TI's [Terms of Use](#).

TI E2E™ Online Community *TI's Engineer-to-Engineer (E2E) Community*. Created to foster collaboration among engineers. At e2e.ti.com, you can ask questions, share knowledge, explore ideas and help solve problems with fellow engineers.

Design Support *TI's Design Support* Quickly find helpful E2E forums along with design support tools and contact information for technical support.

11.2 Trademarks

E2E is a trademark of Texas Instruments.
All other trademarks are the property of their respective owners.

11.3 Electrostatic Discharge Caution



These devices have limited built-in ESD protection. The leads should be shorted together or the device placed in conductive foam during storage or handling to prevent electrostatic damage to the MOS gates.

11.4 Glossary

[SLYZ022](#) — *TI Glossary*.

This glossary lists and explains terms, acronyms, and definitions.

12 Mechanical, Packaging, and Orderable Information

The following pages include mechanical, packaging, and orderable information. This information is the most current data available for the designated devices. This data is subject to change without notice and revision of this document. For browser-based versions of this data sheet, refer to the left-hand navigation.

PACKAGING INFORMATION

Orderable part number	Status (1)	Material type (2)	Package Pins	Package qty Carrier	RoHS (3)	Lead finish/ Ball material (4)	MSL rating/ Peak reflow (5)	Op temp (°C)	Part marking (6)
TMP814PWR	Last Time Buy	Production	TSSOP (PW) 20	2000 LARGE T&R	Yes	NIPDAU	Level-1-260C-UNLIM	-40 to 85	TMP814
TMP814PWR.A	Active	Production	TSSOP (PW) 20	2000 LARGE T&R	Yes	NIPDAU	Level-1-260C-UNLIM	-40 to 85	TMP814

(1) **Status:** For more details on status, see our [product life cycle](#).

(2) **Material type:** When designated, preproduction parts are prototypes/experimental devices, and are not yet approved or released for full production. Testing and final process, including without limitation quality assurance, reliability performance testing, and/or process qualification, may not yet be complete, and this item is subject to further changes or possible discontinuation. If available for ordering, purchases will be subject to an additional waiver at checkout, and are intended for early internal evaluation purposes only. These items are sold without warranties of any kind.

(3) **RoHS values:** Yes, No, RoHS Exempt. See the [TI RoHS Statement](#) for additional information and value definition.

(4) **Lead finish/Ball material:** Parts may have multiple material finish options. Finish options are separated by a vertical ruled line. Lead finish/Ball material values may wrap to two lines if the finish value exceeds the maximum column width.

(5) **MSL rating/Peak reflow:** The moisture sensitivity level ratings and peak solder (reflow) temperatures. In the event that a part has multiple moisture sensitivity ratings, only the lowest level per JEDEC standards is shown. Refer to the shipping label for the actual reflow temperature that will be used to mount the part to the printed circuit board.

(6) **Part marking:** There may be an additional marking, which relates to the logo, the lot trace code information, or the environmental category of the part.

Multiple part markings will be inside parentheses. Only one part marking contained in parentheses and separated by a "-" will appear on a part. If a line is indented then it is a continuation of the previous line and the two combined represent the entire part marking for that device.

Important Information and Disclaimer: The information provided on this page represents TI's knowledge and belief as of the date that it is provided. TI bases its knowledge and belief on information provided by third parties, and makes no representation or warranty as to the accuracy of such information. Efforts are underway to better integrate information from third parties. TI has taken and continues to take reasonable steps to provide representative and accurate information but may not have conducted destructive testing or chemical analysis on incoming materials and chemicals. TI and TI suppliers consider certain information to be proprietary, and thus CAS numbers and other limited information may not be available for release.

In no event shall TI's liability arising out of such information exceed the total purchase price of the TI part(s) at issue in this document sold by TI to Customer on an annual basis.

TAPE AND REEL INFORMATION

QUADRANT ASSIGNMENTS FOR PIN 1 ORIENTATION IN TAPE


*All dimensions are nominal

Device	Package Type	Package Drawing	Pins	SPQ	Reel Diameter (mm)	Reel Width W1 (mm)	A0 (mm)	B0 (mm)	K0 (mm)	P1 (mm)	W (mm)	Pin1 Quadrant
TMP814PWR	TSSOP	PW	20	2000	330.0	16.4	6.95	7.0	1.4	8.0	16.0	Q1

TAPE AND REEL BOX DIMENSIONS


*All dimensions are nominal

Device	Package Type	Package Drawing	Pins	SPQ	Length (mm)	Width (mm)	Height (mm)
TMP814PWR	TSSOP	PW	20	2000	353.0	353.0	32.0

PW0020A



PACKAGE OUTLINE

TSSOP - 1.2 mm max height

SMALL OUTLINE PACKAGE



NOTES:

1. All linear dimensions are in millimeters. Any dimensions in parenthesis are for reference only. Dimensioning and tolerancing per ASME Y14.5M.
2. This drawing is subject to change without notice.
3. This dimension does not include mold flash, protrusions, or gate burrs. Mold flash, protrusions, or gate burrs shall not exceed 0.15 mm per side.
4. This dimension does not include interlead flash. Interlead flash shall not exceed 0.25 mm per side.
5. Reference JEDEC registration MO-153.

EXAMPLE BOARD LAYOUT

PW0020A

TSSOP - 1.2 mm max height

SMALL OUTLINE PACKAGE



LAND PATTERN EXAMPLE
EXPOSED METAL SHOWN
SCALE: 10X



SOLDER MASK DETAILS

4220206/A 02/2017

NOTES: (continued)

- 6. Publication IPC-7351 may have alternate designs.
- 7. Solder mask tolerances between and around signal pads can vary based on board fabrication site.

EXAMPLE STENCIL DESIGN

PW0020A

TSSOP - 1.2 mm max height

SMALL OUTLINE PACKAGE



SOLDER PASTE EXAMPLE
BASED ON 0.125 mm THICK STENCIL
SCALE: 10X

4220206/A 02/2017

NOTES: (continued)

8. Laser cutting apertures with trapezoidal walls and rounded corners may offer better paste release. IPC-7525 may have alternate design recommendations.
9. Board assembly site may have different recommendations for stencil design.

IMPORTANT NOTICE AND DISCLAIMER

TI PROVIDES TECHNICAL AND RELIABILITY DATA (INCLUDING DATASHEETS), DESIGN RESOURCES (INCLUDING REFERENCE DESIGNS), APPLICATION OR OTHER DESIGN ADVICE, WEB TOOLS, SAFETY INFORMATION, AND OTHER RESOURCES "AS IS" AND WITH ALL FAULTS, AND DISCLAIMS ALL WARRANTIES, EXPRESS AND IMPLIED, INCLUDING WITHOUT LIMITATION ANY IMPLIED WARRANTIES OF MERCHANTABILITY, FITNESS FOR A PARTICULAR PURPOSE OR NON-INFRINGEMENT OF THIRD PARTY INTELLECTUAL PROPERTY RIGHTS.

These resources are intended for skilled developers designing with TI products. You are solely responsible for (1) selecting the appropriate TI products for your application, (2) designing, validating and testing your application, and (3) ensuring your application meets applicable standards, and any other safety, security, regulatory or other requirements.

These resources are subject to change without notice. TI grants you permission to use these resources only for development of an application that uses the TI products described in the resource. Other reproduction and display of these resources is prohibited. No license is granted to any other TI intellectual property right or to any third party intellectual property right. TI disclaims responsibility for, and you fully indemnify TI and its representatives against any claims, damages, costs, losses, and liabilities arising out of your use of these resources.

TI's products are provided subject to [TI's Terms of Sale](#), [TI's General Quality Guidelines](#), or other applicable terms available either on ti.com or provided in conjunction with such TI products. TI's provision of these resources does not expand or otherwise alter TI's applicable warranties or warranty disclaimers for TI products. Unless TI explicitly designates a product as custom or customer-specified, TI products are standard, catalog, general purpose devices.

TI objects to and rejects any additional or different terms you may propose.

Copyright © 2026, Texas Instruments Incorporated

Last updated 10/2025