

TMUX6104 36-V, Low-Capacitance, Low-Leakage-Current, Precision, 4:1 Analog Multiplexer

1 Features

- Low On-Capacitance: 5 pF
- Low Input Leakage: 5 pA
- Low Charge Injection: 0.35 pC
- Rail-to-Rail Operation
- Wide Supply Range: ± 5 V to ± 16.5 V (Dual Supplies) or 10 V to 16.5 V (Single Supply)
- Low On-Resistance: 125 Ω
- Transition Time: 88 ns
- Break-Before-Make Switching Action
- EN Pin Connectable to V_{DD} With Integrated Pull-down
- Logic Levels: 2 V to V_{DD}
- Low Supply Current: 17 μ A
- ESD Protection HBM: 2000 V
- Industry-Standard TSSOP Package

2 Applications

- Factory Automation and Industrial Process Controls
- Programmable Logic Controllers (PLC)
- Analog Input Modules
- ATE Test Equipment
- Digital Multimeters
- Battery Monitoring Systems

3 Description

The TMUX6104 is a modern complementary metal-oxide semiconductor (CMOS) analog multiplexer (MUX) that offers 4:1 single-ended multiplexing. The devices work well with dual supplies (± 5 V to ± 16.5 V), a single supply (10 V to 16.5 V), or unsymmetric supplies (such as $V_{DD} = 12$ V, $V_{SS} = -5$ V). All digital inputs have transistor-transistor logic (TTL) compatible thresholds, ensuring both TTL and CMOS logic compatibility.

The TMUX6104 multiplexes one of four inputs (S_x) to a common output (D), depending on the status of the address pins (A0/ A1) and the enable pin (EN). Each switch conducts equally well in both directions in the ON position and supports input signal range up to the supplies. In the OFF condition, signal levels up to the supplies are blocked. All switches exhibit break-before-make (BBM) switching action.

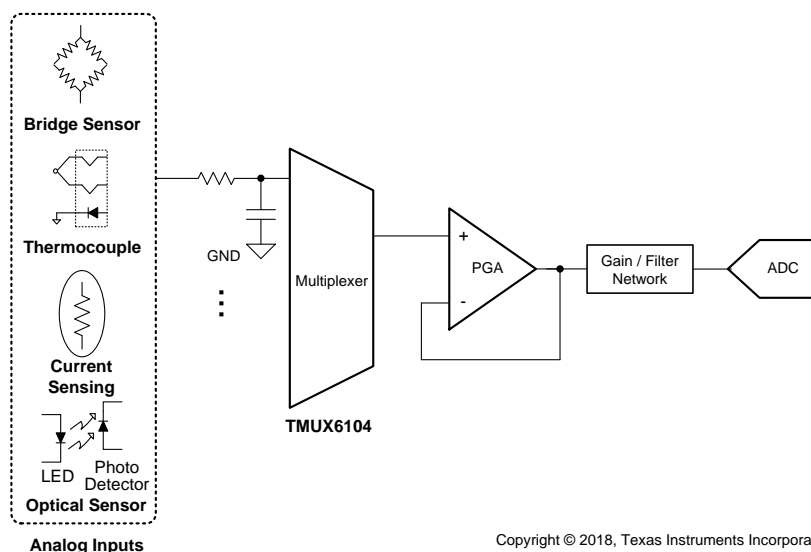
The TMUX6104 device is part of Texas Instruments Precision Switches and Multiplexers family. The family of devices have very low leakage current and charge injection, allowing them to be used in high-precision measurement applications. Low supply current of 17 μ A enables the device's usage in portable applications.

Device Information⁽¹⁾

PART NUMBER	PACKAGE	BODY SIZE (NOM)
TMUX6104	TSSOP (14)	5.00 mm x 4.40 mm

(1) For all available packages, see the package option addendum at the end of the data sheet.

Simplified Schematic



Copyright © 2018, Texas Instruments Incorporated



Table of Contents

1 Features	1	8.2 Functional Block Diagram	18
2 Applications	1	8.3 Feature Description	18
3 Description	1	8.4 Device Functional Modes	20
4 Revision History	2	9 Application and Implementation	21
5 Pin Configuration and Functions	3	9.1 Application Information	21
6 Specifications	4	9.2 Typical Application	21
6.1 Absolute Maximum Ratings	4	10 Power Supply Recommendations	23
6.2 ESD Ratings	4	11 Layout	24
6.3 Thermal Information	4	11.1 Layout Guidelines	24
6.4 Recommended Operating Conditions	4	11.2 Layout Example	24
6.5 Electrical Characteristics (Dual Supplies: ± 15 V)	5	12 Device and Documentation Support	25
6.6 Switching Characteristics (Dual Supplies: ± 15 V)	6	12.1 Documentation Support	25
6.7 Electrical Characteristics (Single Supply: 12 V)	6	12.2 Receiving Notification of Documentation Updates	25
6.8 Switching Characteristics (Single Supply: 12 V)	7	12.3 Community Resources	25
6.9 Typical Characteristics	9	12.4 Trademarks	25
7 Parameter Measurement Information	11	12.5 Electrostatic Discharge Caution	25
7.1 Truth Table	11	12.6 Glossary	25
8 Detailed Description	12	13 Mechanical, Packaging, and Orderable Information	25
8.1 Overview	12		

4 Revision History

NOTE: Page numbers for previous revisions may differ from page numbers in the current version.

Changes from Original (February 2018) to Revision A	Page
• Changed the device status From: <i>Advanced Information</i> To: <i>Production data</i>	1

6 Specifications

6.1 Absolute Maximum Ratings

over operating free-air temperature range (unless otherwise noted)⁽¹⁾

		MIN	MAX	UNIT
V _{DD} to V _{SS}	Supply voltage		36	V
V _{DD} to GND		-0.3	18	V
V _{SS} to GND		-18	0.3	V
V _{DIG}	Digital input pin (EN, A0, A1) voltage	GND -0.3	V _{DD} +0.3	V
I _{DIG}	Digital input pin (EN, A0, A1) current	-30	30	mA
V _{ANA_IN}	Analog input pin (Sx) voltage	V _{SS} -0.3	V _{DD} +0.3	V
I _{ANA_IN}	Analog input pin (Sx) current	-30	30	mA
V _{ANA_OUT}	Analog output pin (D) voltage	V _{SS} -0.3	V _{DD} +0.3	V
I _{ANA_OUT}	Analog output pin (D) current	-30	30	mA
T _A	Ambient temperature	-55	125	°C
T _J	Junction temperature		150	°C
T _{stg}	Storage temperature	-65	150	°C

(1) Stresses beyond those listed under *Absolute Maximum Rating* may cause permanent damage to the device. These are stress ratings only, which do not imply functional operation of the device at these or any other conditions beyond those indicated under *Recommended Operating Condition*. Exposure to absolute-maximum-rated conditions for extended periods may affect device reliability.

6.2 ESD Ratings

			VALUE	UNIT
V _(ESD)	Electrostatic discharge	Human body model (HBM), per ANSI/ESDA/JEDEC JS-001, all pins ⁽¹⁾	±2000	V
		Charged device model (CDM), per JEDEC specification JESD22-C101, all pins ⁽²⁾	±500	

(1) JEDEC document JEP155 states that 500-V HBM allows safe manufacturing with a standard ESD control process.

(2) JEDEC document JEP157 states that 250-V CDM allows safe manufacturing with a standard ESD control process.

6.3 Thermal Information

THERMAL METRIC ⁽¹⁾		TMUX6104	UNIT
		PW (TSSOP)	
		14 PINS	
R _{θJA}	Junction-to-ambient thermal resistance	122.4	°C/W
R _{θJC(top)}	Junction-to-case (top) thermal resistance	52.0	°C/W
R _{θJB}	Junction-to-board thermal resistance	65.4	°C/W
Ψ _{JT}	Junction-to-top characterization parameter	8.1	°C/W
Ψ _{JB}	Junction-to-board characterization parameter	64.8	°C/W
R _{θJC(bot)}	Junction-to-case (bottom) thermal resistance	N/A	°C/W

(1) For more information about traditional and new thermal metrics, see the [Semiconductor and IC Package Thermal Metrics](#) application report.

6.4 Recommended Operating Conditions

over operating free-air temperature range (unless otherwise noted)

		MIN	NOM	MAX	UNIT
V _{DD} to V _{SS} ⁽¹⁾	Power supply voltage differential	10		33	V
V _{DD} to GND	Positive power supply voltage (single supply, V _{SS} = 0 V)	10		16.5	V
V _{DD} to GND	Positive power supply voltage (dual supply)	5		16.5	V
V _{SS} to GND	Negative power supply voltage (dual supply)	-5		-16.5	V

(1) V_{DD} and V_{SS} can be any value as long as 10 V ≤ (V_{DD} - V_{SS}) ≤ 33 V.

Recommended Operating Conditions (continued)

over operating free-air temperature range (unless otherwise noted)

		MIN	NOM	MAX	UNIT
V_S ⁽²⁾	Source pins voltage	V_{SS}		V_{DD}	V
V_D	Drain pin voltage	V_{SS}		V_{DD}	V
V_{DIG}	Digital input pin (EN, A0, A1) voltage	0		V_{DD}	V
I_{CH}	Channel current ($T_A = 25^\circ\text{C}$)	-25		25	mA
T_A	Ambient temperature	-40		125	$^\circ\text{C}$

(2) V_S is the voltage on all the S pins.

6.5 Electrical Characteristics (Dual Supplies: $\pm 15\text{ V}$)

at $T_A = 25^\circ\text{C}$, $V_{DD} = 15\text{ V}$, and $V_{SS} = -15\text{ V}$ (unless otherwise noted)

PARAMETER		TEST CONDITIONS		MIN	TYP	MAX	UNIT			
ANALOG SWITCH										
V_A	Analog signal range		$T_A = -40^\circ\text{C}$ to $+125^\circ\text{C}$	V_{SS}		V_{DD}	V			
R_{ON}	On-resistance	$V_S = 0\text{ V}$, $I_S = 1\text{ mA}$			125	170	Ω			
					145	200	Ω			
		$V_S = \pm 10\text{ V}$, $I_S = 1\text{ mA}$	$T_A = -40^\circ\text{C}$ to $+85^\circ\text{C}$				230	Ω		
			$T_A = -40^\circ\text{C}$ to $+125^\circ\text{C}$				250	Ω		
ΔR_{ON}	On-resistance mismatch between channels	$V_S = \pm 10\text{ V}$, $I_S = 1\text{ mA}$	$T_A = -40^\circ\text{C}$ to $+85^\circ\text{C}$		1.5	6	Ω			
			$T_A = -40^\circ\text{C}$ to $+125^\circ\text{C}$				11	Ω		
R_{ON_FLAT}	On-resistance flatness	$V_S = -10\text{ V}$, 0 V , $+10\text{ V}$, $I_S = 1\text{ mA}$	$T_A = -40^\circ\text{C}$ to $+85^\circ\text{C}$		26	45	Ω			
			$T_A = -40^\circ\text{C}$ to $+125^\circ\text{C}$				53	Ω		
R_{ON_DRIFT}	On-resistance drift	$V_S = 0\text{ V}$			0.5		$\Omega/^\circ\text{C}$			
$I_{S(OFF)}$	Source off leakage current ⁽¹⁾	Switch state is off, $V_S = +10\text{ V}/-10\text{ V}$, $V_D = -10\text{ V}/+10\text{ V}$	$T_A = -40^\circ\text{C}$ to $+85^\circ\text{C}$	-0.02	0.005	0.02	nA			
			$T_A = -40^\circ\text{C}$ to $+125^\circ\text{C}$				-0.13	0.05	nA	
$I_{D(OFF)}$	Drain off leakage current ⁽¹⁾	Switch state is off, $V_S = +10\text{ V}/-10\text{ V}$, $V_D = -10\text{ V}/+10\text{ V}$	$T_A = -40^\circ\text{C}$ to $+85^\circ\text{C}$				-0.05	0.01	0.05	nA
			$T_A = -40^\circ\text{C}$ to $+125^\circ\text{C}$				-0.14		0.1	nA
$I_{D(ON)}$	Drain on leakage current	Switch state is on, $V_S = +10\text{ V}/-10\text{ V}$, $V_D = -10\text{ V}/+10\text{ V}$	$T_A = -40^\circ\text{C}$ to $+85^\circ\text{C}$				-0.07	0.01	0.07	nA
			$T_A = -40^\circ\text{C}$ to $+125^\circ\text{C}$				-0.27		0.15	nA
			$T_A = -40^\circ\text{C}$ to $+125^\circ\text{C}$				-2		1	nA
DIGITAL INPUT (EN, Ax pins)										
V_{IH}	Logic voltage high		$T_A = -40^\circ\text{C}$ to $+125^\circ\text{C}$	2			V			
V_{IL}	Logic voltage low		$T_A = -40^\circ\text{C}$ to $+125^\circ\text{C}$			0.8	V			
$R_{PD(EN)}$	Pull-down resistance on EN pin				6		M Ω			
POWER SUPPLY										
I_{DD}	V_{DD} supply current	$V_A = 0\text{ V}$ or 3.3 V , $V_S = 0\text{ V}$, $V_{EN} = 3.3\text{ V}$	$T_A = -40^\circ\text{C}$ to $+85^\circ\text{C}$		17	24	μA			
			$T_A = -40^\circ\text{C}$ to $+125^\circ\text{C}$				25	μA		
							27	μA		
I_{SS}	V_{SS} supply current	$V_A = 0\text{ V}$ or 3.3 V , $V_S = 0\text{ V}$, $V_{EN} = 3.3\text{ V}$	$T_A = -40^\circ\text{C}$ to $+85^\circ\text{C}$		7	12	μA			
			$T_A = -40^\circ\text{C}$ to $+125^\circ\text{C}$				13	μA		
							15	μA		

(1) When V_S is positive, V_D is negative, and vice versa.

6.6 Switching Characteristics (Dual Supplies: ±15 V)

 at $T_A = 25^\circ\text{C}$, $V_{DD} = 15\text{ V}$, and $V_{SS} = -15\text{ V}$ (unless otherwise noted)

PARAMETER		TEST CONDITIONS	MIN	TYP	MAX	UNIT
t_{ON}	Enable turn-on time	$V_S = \pm 10\text{ V}$, $R_L = 300\ \Omega$, $C_L = 35\text{ pF}$		85	120	ns
		$V_S = \pm 10\text{ V}$, $R_L = 300\ \Omega$, $C_L = 35\text{ pF}$, $T_A = -40^\circ\text{C}$ to $+85^\circ\text{C}$			130	ns
		$V_S = \pm 10\text{ V}$, $R_L = 300\ \Omega$, $C_L = 35\text{ pF}$, $T_A = -40^\circ\text{C}$ to $+125^\circ\text{C}$			140	ns
t_{OFF}	Enable turn-off time	$V_S = \pm 10\text{ V}$, $R_L = 300\ \Omega$, $C_L = 35\text{ pF}$		53	65	ns
		$V_S = \pm 10\text{ V}$, $R_L = 300\ \Omega$, $C_L = 35\text{ pF}$, $T_A = -40^\circ\text{C}$ to $+85^\circ\text{C}$			70	ns
		$V_S = \pm 10\text{ V}$, $R_L = 300\ \Omega$, $C_L = 35\text{ pF}$, $T_A = -40^\circ\text{C}$ to $+125^\circ\text{C}$			75	ns
t_{TRAN}	Transition time	$V_S = 10\text{ V}$, $R_L = 300\ \Omega$, $C_L = 35\text{ pF}$		88	125	ns
		$V_S = 10\text{ V}$, $R_L = 300\ \Omega$, $C_L = 35\text{ pF}$, $T_A = -40^\circ\text{C}$ to $+85^\circ\text{C}$			135	ns
		$V_S = 10\text{ V}$, $R_L = 300\ \Omega$, $C_L = 35\text{ pF}$, $T_A = -40^\circ\text{C}$ to $+125^\circ\text{C}$			145	ns
t_{BBM}	Break-before-make time delay	$V_S = 10\text{ V}$, $R_L = 300\ \Omega$, $C_L = 35\text{ pF}$, $T_A = -40^\circ\text{C}$ to $+125^\circ\text{C}$	30	50		ns
Q_J	Charge injection	$V_S = 0\text{ V}$, $R_S = 0\ \Omega$, $C_L = 1\text{ nF}$		-0.35		pC
		$V_S = -15\text{ V}$ to 15 V , $R_S = 0\ \Omega$, $C_L = 1\text{ nF}$		-0.41		pC
O_{ISO}	Off-isolation	$R_L = 50\ \Omega$, $C_L = 5\text{ pF}$, $f = 1\text{ MHz}$		-86		dB
X_{TALK}	Channel-to-channel crosstalk	$R_L = 50\ \Omega$, $C_L = 5\text{ pF}$, $f = 1\text{ MHz}$, non-adjacent channels		-105		dB
		$R_L = 50\ \Omega$, $C_L = 5\text{ pF}$, $f = 1\text{ MHz}$, adjacent channels		-87		dB
I_L	Insertion loss	$R_L = 50\ \Omega$, $C_L = 5\text{ pF}$, $f = 1\text{ MHz}$		-7		dB
ACPSRR	AC Power Supply Rejection Ratio	$R_L = 10\text{ k}\Omega$, $C_L = 5\text{ pF}$, $V_{PP} = 0.62\text{ V}$ on V_{DD} , $f = 1\text{ MHz}$		-52		dB
		$R_L = 10\text{ k}\Omega$, $C_L = 5\text{ pF}$, $V_{PP} = 0.62\text{ V}$ on V_{SS} , $f = 1\text{ MHz}$		-49		dB
BW	-3dB Bandwidth	$R_L = 50\ \Omega$, $C_L = 5\text{ pF}$		500		MHz
THD + N	Total harmonic distortion + noise	$R_L = 10\text{ k}\Omega$, $C_L = 5\text{ pF}$, $f = 20\text{ Hz}$ to 20 kHz		0.08		%
C_{IN}	Digital input capacitance	$V_{IN} = 0\text{ V}$ or V_{DD}		1.2		pF
$C_{S(OFF)}$	Source off-capacitance	$V_S = 0\text{ V}$, $f = 1\text{ MHz}$		1.6	2.3	pF
$C_{D(OFF)}$	Drain off-capacitance	$V_S = 0\text{ V}$, $f = 1\text{ MHz}$		3.8	4.2	pF
$C_{S(ON)}$, $C_{D(ON)}$	Source and drain on-capacitance	$V_S = 0\text{ V}$, $f = 1\text{ MHz}$		5.0	6.5	pF

6.7 Electrical Characteristics (Single Supply: 12 V)

 at $T_A = 25^\circ\text{C}$, $V_{DD} = 12\text{ V}$, and $V_{SS} = 0\text{ V}$ (unless otherwise noted)

PARAMETER		TEST CONDITIONS		MIN	TYP	MAX	UNIT
ANALOG SWITCH							
V_A	Analog signal range	$T_A = -40^\circ\text{C}$ to $+125^\circ\text{C}$	$T_A = -40^\circ\text{C}$ to $+125^\circ\text{C}$	V_{SS}		V_{DD}	V
R_{ON}	On-resistance	$V_S = 10\text{ V}$, $I_S = 1\text{ mA}$			235	345	Ω
			$T_A = -40^\circ\text{C}$ to $+85^\circ\text{C}$			400	Ω
			$T_A = -40^\circ\text{C}$ to $+125^\circ\text{C}$			440	Ω
ΔR_{ON}	On-resistance mismatch between channels	$V_S = 10\text{ V}$, $I_S = 1\text{ mA}$			2.4	12	Ω
			$T_A = -40^\circ\text{C}$ to $+85^\circ\text{C}$			19	Ω
			$T_A = -40^\circ\text{C}$ to $+125^\circ\text{C}$			23	Ω
R_{ON_DRIFT}	On-resistance drift	$V_S = 0\text{ V}$			0.47		%/ $^\circ\text{C}$

Electrical Characteristics (Single Supply: 12 V) (continued)

at $T_A = 25^\circ\text{C}$, $V_{DD} = 12\text{ V}$, and $V_{SS} = 0\text{ V}$ (unless otherwise noted)

PARAMETER		TEST CONDITIONS		MIN	TYP	MAX	UNIT
$I_{S(OFF)}$	Source off leakage current ⁽¹⁾	Switch state is off, $V_S = 10\text{ V}/1\text{ V}$, $V_D = 1\text{ V}/10\text{ V}$		-0.02	0.005	0.02	nA
			$T_A = -40^\circ\text{C}$ to $+85^\circ\text{C}$	-0.1		0.05	nA
			$T_A = -40^\circ\text{C}$ to $+125^\circ\text{C}$	-0.8		0.4	nA
$I_{D(OFF)}$	Drain off leakage current ⁽¹⁾	Switch state is off, $V_S = 10\text{ V}/1\text{ V}$, $V_D = 1\text{ V}/10\text{ V}$		-0.03	0.01	0.03	nA
			$T_A = -40^\circ\text{C}$ to $+85^\circ\text{C}$	-0.1		0.08	nA
			$T_A = -40^\circ\text{C}$ to $+125^\circ\text{C}$	-0.8		0.4	nA
$I_{D(ON)}$	Drain on leakage current	Switch state is on, $V_S =$ floating, $V_D = 1\text{ V}/10\text{ V}$		-0.05	0.01	0.05	nA
			$T_A = -40^\circ\text{C}$ to $+85^\circ\text{C}$	-0.2		0.15	nA
			$T_A = -40^\circ\text{C}$ to $+125^\circ\text{C}$	-1.6		0.8	nA
DIGITAL INPUT (EN, Ax pins)							
V_{IH}	Logic voltage high		$T_A = -40^\circ\text{C}$ to $+125^\circ\text{C}$	2			V
V_{IL}	Logic voltage low		$T_A = -40^\circ\text{C}$ to $+125^\circ\text{C}$			0.8	V
$R_{PD(EN)}$	Pull-down resistance on EN pin				6		M Ω
POWER SUPPLY							
I_{DD}	V_{DD} supply current	$V_A = 0\text{ V}$ or 3.3 V , $V_S = 0\text{ V}$, $V_{EN} = 3.3\text{ V}$			12	18	μA
			$T_A = -40^\circ\text{C}$ to $+85^\circ\text{C}$			19	μA
			$T_A = -40^\circ\text{C}$ to $+125^\circ\text{C}$			21	μA

(1) When V_S is positive, V_D is negative, and vice versa.

6.8 Switching Characteristics (Single Supply: 12 V)

at $T_A = 25^\circ\text{C}$, $V_{DD} = 12\text{ V}$, and $V_{SS} = 0\text{ V}$ (unless otherwise noted)

PARAMETER		TEST CONDITIONS		MIN	TYP	MAX	UNIT
t_{ON}	Enable turn-on time	$V_S = 8\text{ V}$, $R_L = 300\ \Omega$, $C_L = 35\text{ pF}$			91	125	ns
		$V_S = 8\text{ V}$, $R_L = 300\ \Omega$, $C_L = 35\text{ pF}$, $T_A = -40^\circ\text{C}$ to $+85^\circ\text{C}$				135	ns
		$V_S = 8\text{ V}$, $R_L = 300\ \Omega$, $C_L = 35\text{ pF}$, $T_A = -40^\circ\text{C}$ to $+125^\circ\text{C}$				145	ns
t_{OFF}	Enable turn-off time	$V_S = 8\text{ V}$, $R_L = 300\ \Omega$, $C_L = 35\text{ pF}$			52	60	ns
		$V_S = 8\text{ V}$, $R_L = 300\ \Omega$, $C_L = 35\text{ pF}$, $T_A = -40^\circ\text{C}$ to $+85^\circ\text{C}$				70	ns
		$V_S = 8\text{ V}$, $R_L = 300\ \Omega$, $C_L = 35\text{ pF}$, $T_A = -40^\circ\text{C}$ to $+125^\circ\text{C}$				77	ns
t_{TRAN}	Transition time	$V_S = 8\text{ V}$, $R_L = 300\ \Omega$, $C_L = 35\text{ pF}$			94	127	ns
		$V_S = 8\text{ V}$, $R_L = 300\ \Omega$, $C_L = 35\text{ pF}$, $T_A = -40^\circ\text{C}$ to $+85^\circ\text{C}$				140	ns
		$V_S = 8\text{ V}$, $R_L = 300\ \Omega$, $C_L = 35\text{ pF}$, $T_A = -40^\circ\text{C}$ to $+125^\circ\text{C}$				150	ns
t_{BBM}	Break-before-make time delay	$V_S = 8\text{ V}$, $R_L = 300\ \Omega$, $C_L = 35\text{ pF}$, $T_A = -40^\circ\text{C}$ to $+125^\circ\text{C}$		30	55		ns
Q_J	Charge injection	$V_S = 6\text{ V}$, $R_S = 0\ \Omega$, $C_L = 1\text{ nF}$			-0.2		pC
		$V_S = 0\text{ V}$ to 12 V , $R_S = 0\ \Omega$, $C_L = 1\text{ nF}$			-0.2		pC
O_{ISO}	Off-isolation	$R_L = 50\ \Omega$, $C_L = 5\text{ pF}$, $f = 1\text{ MHz}$			-86		dB
X_{TALK}	Channel-to-channel crosstalk	$R_L = 50\ \Omega$, $C_L = 5\text{ pF}$, $f = 1\text{ MHz}$, non-adjacent channels			-107		dB
		$R_L = 50\ \Omega$, $C_L = 5\text{ pF}$, $f = 1\text{ MHz}$, adjacent channels			-87		dB
I_L	Insertion loss	$R_L = 50\ \Omega$, $C_L = 5\text{ pF}$, $f = 1\text{ MHz}$			-14		dB
ACPSRR	AC Power Supply Rejection Ratio	$R_L = 10\text{ k}\Omega$, $C_L = 5\text{ pF}$, $V_{PP} = 0.62\text{ V}$, $f = 1\text{ MHz}$			-51		dB
BW	-3dB Bandwidth	$R_L = 50\ \Omega$, $C_L = 5\text{ pF}$			400		MHz

TMUX6104

SCDS376A – FEBRUARY 2018 – REVISED SEPTEMBER 2018

www.ti.com
Switching Characteristics (Single Supply: 12 V) (continued)

 at $T_A = 25^\circ\text{C}$, $V_{DD} = 12\text{ V}$, and $V_{SS} = 0\text{ V}$ (unless otherwise noted)

PARAMETER		TEST CONDITIONS	MIN	TYP	MAX	UNIT
C_{IN}	Digital input capacitance	$V_{IN} = 0\text{ V}$ or V_{DD}		1.2		pF
$C_{S(OFF)}$	Source off-capacitance	$V_S = 6\text{ V}$, $f = 1\text{ MHz}$		1.9	2.3	pF
$C_{D(OFF)}$	Drain off-capacitance	$V_S = 6\text{ V}$, $f = 1\text{ MHz}$		4.6	5.3	pF
$C_{S(ON)}$, $C_{D(ON)}$	Source and drain on-capacitance	$V_S = 6\text{ V}$, $f = 1\text{ MHz}$		6.3	7.5	pF

6.9 Typical Characteristics

at $T_A = 25^\circ\text{C}$, $V_{DD} = 15\text{ V}$, and $V_{SS} = -15\text{ V}$ (unless otherwise noted)

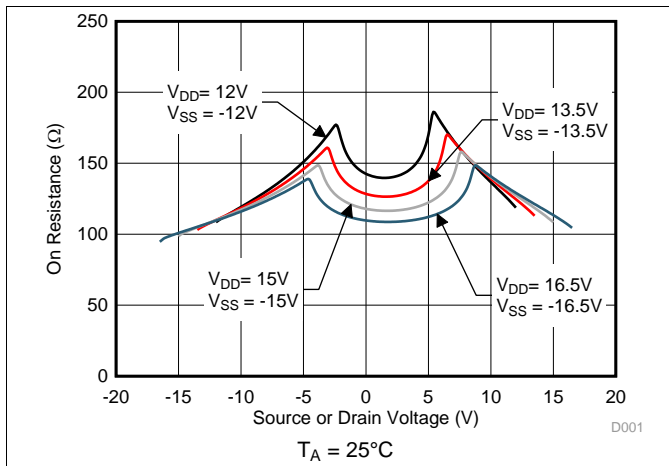


Figure 1. On-Resistance vs Source or Drain Voltage

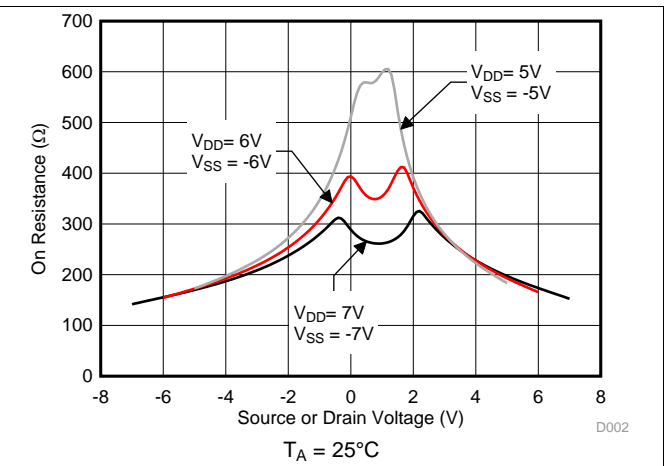


Figure 2. On-Resistance vs Source or Drain Voltage

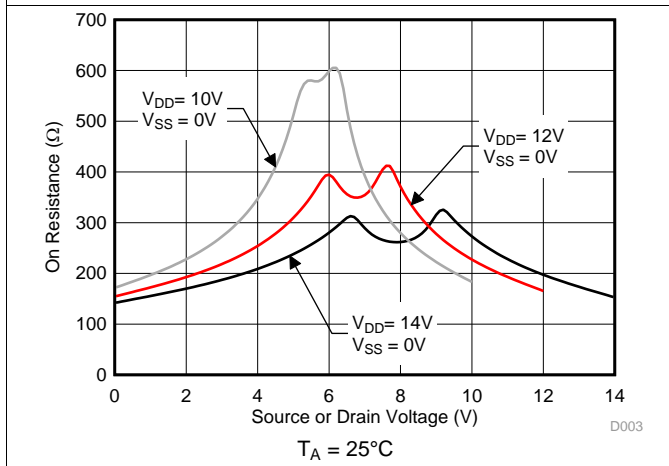


Figure 3. On-Resistance vs Source or Drain Voltage

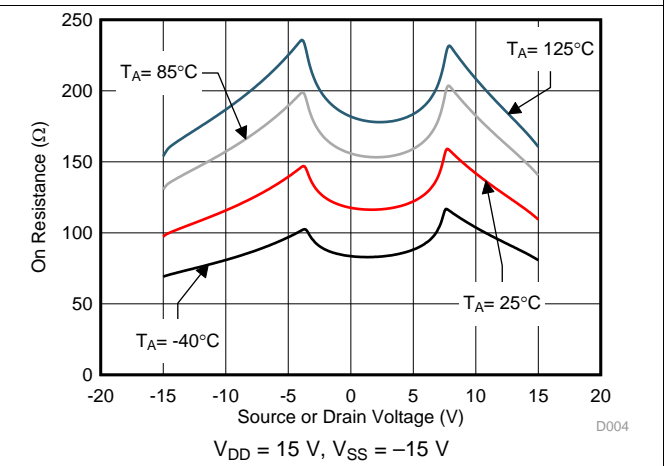


Figure 4. On-Resistance vs Source or Drain Voltage

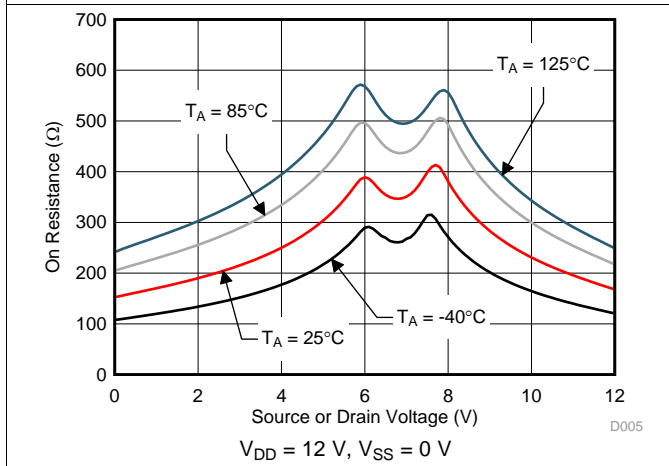


Figure 5. On-Resistance vs Source or Drain Voltage

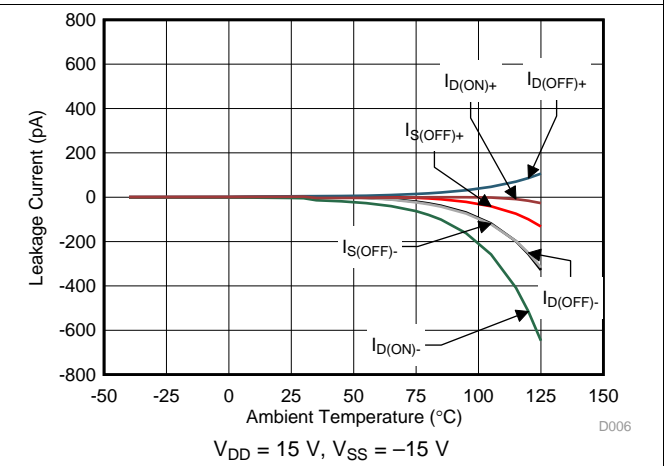


Figure 6. Leakage Current vs Temperature

Typical Characteristics (continued)

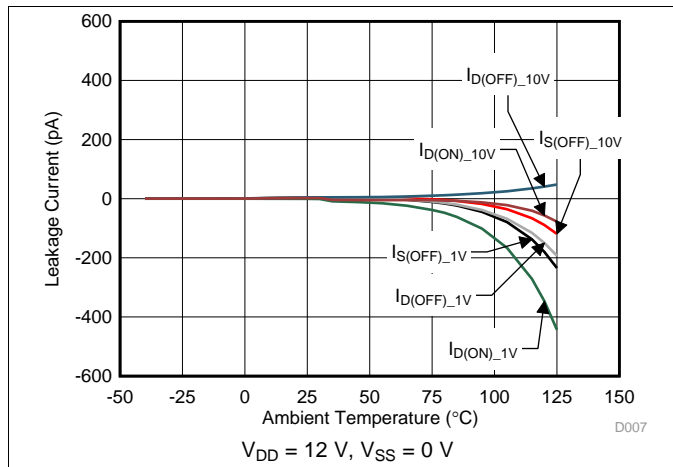


Figure 7. Leakage Current vs Temperature

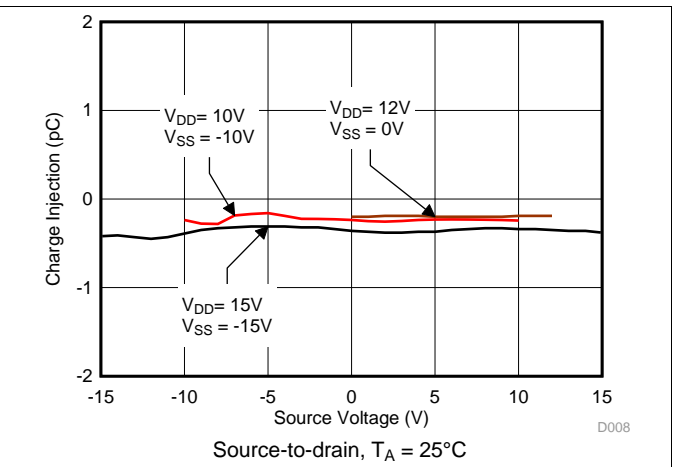


Figure 8. Charge Injection vs Source Voltage

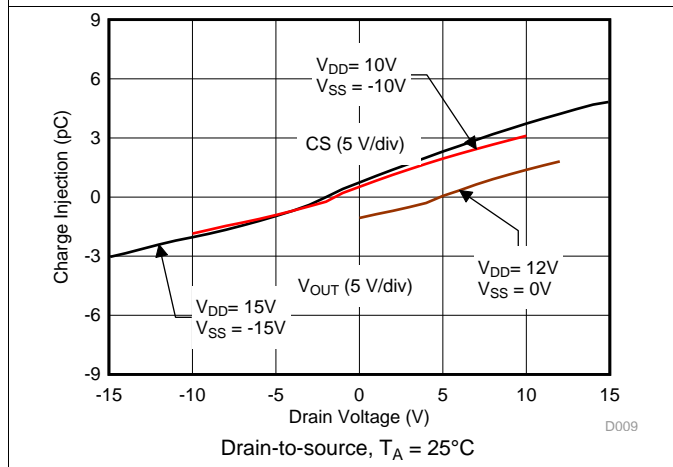


Figure 9. Charge Injection vs Drain Voltage

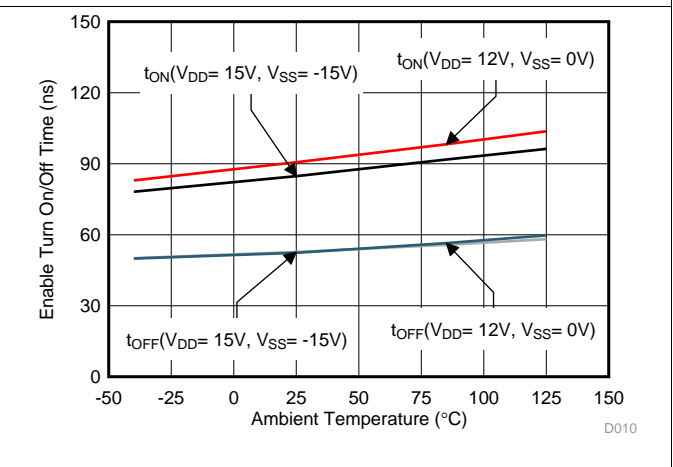


Figure 10. Turn-On and Turn-Off Times vs Temperature

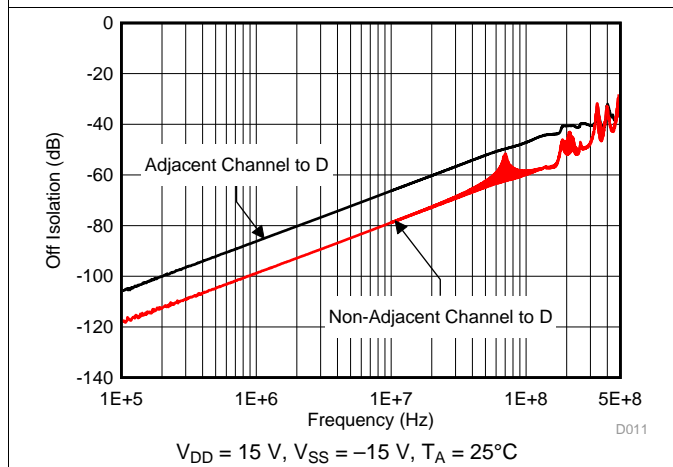


Figure 11. Off Isolation vs Frequency

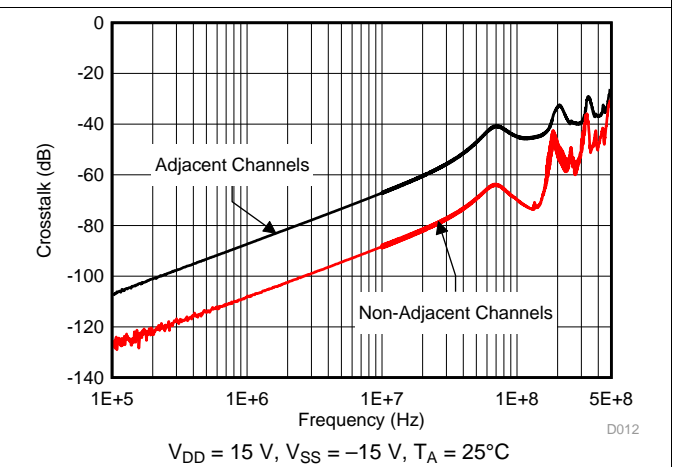


Figure 12. Crosstalk vs Frequency

Typical Characteristics (continued)

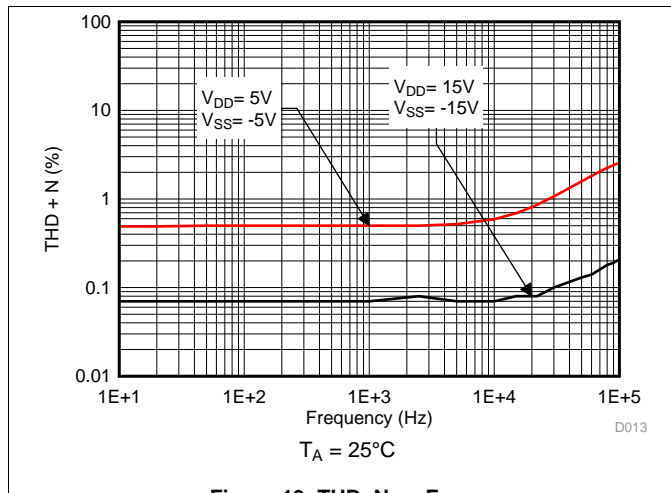


Figure 13. THD+N vs Frequency

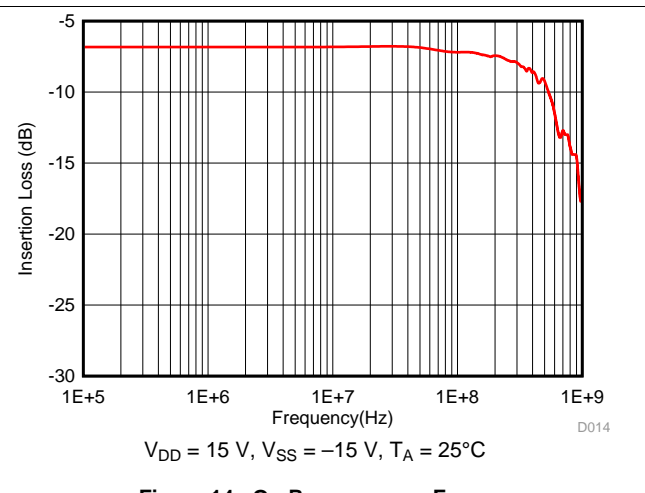


Figure 14. On Response vs. Frequency

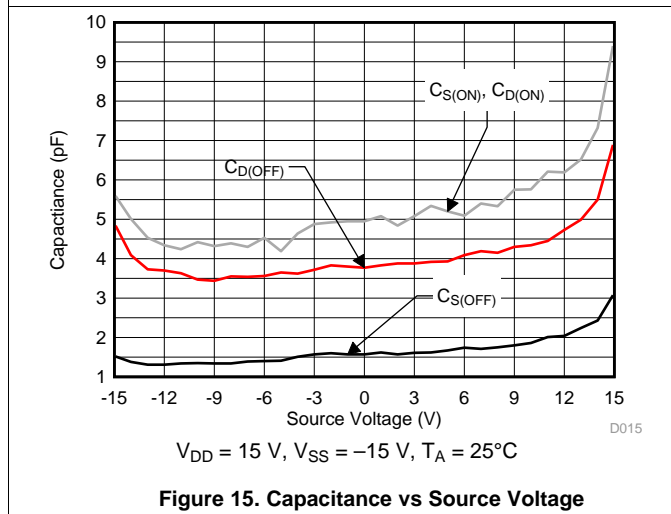


Figure 15. Capacitance vs Source Voltage

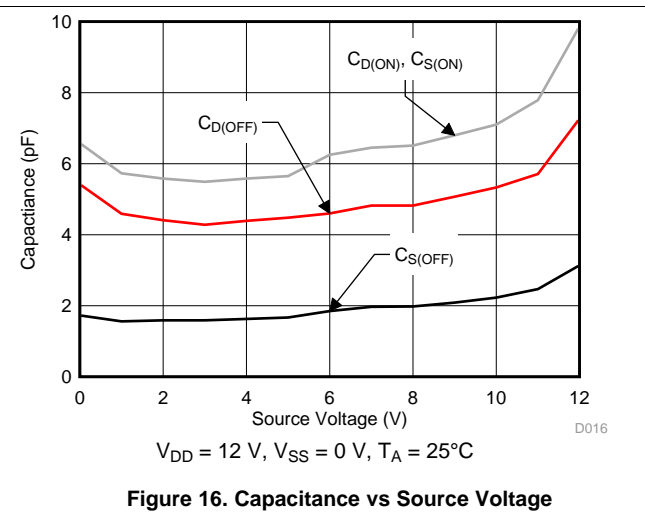


Figure 16. Capacitance vs Source Voltage

7 Parameter Measurement Information

7.1 Truth Table

Table 1. TMUX6104 Truth Table

EN	A1	A0	STATE
0	X ⁽¹⁾	X ⁽¹⁾	All channels are off
1	0	0	Channel 1
1	0	1	Channel 2
1	1	0	Channel 3
1	1	1	Channel 4

(1) X denotes *don't care*..

8 Detailed Description

8.1 Overview

8.1.1 On-Resistance

The on-resistance of the TMUX6104 is the ohmic resistance across the source (Sx) and drain (D) pins of the device. The on-resistance varies with input voltage and supply voltage. The symbol R_{ON} is used to denote on-resistance. The measurement setup used to measure R_{ON} is shown in Figure 17. Voltage (V) and current (I_{CH}) are measured using this setup, and R_{ON} is computed as shown in Equation 1:

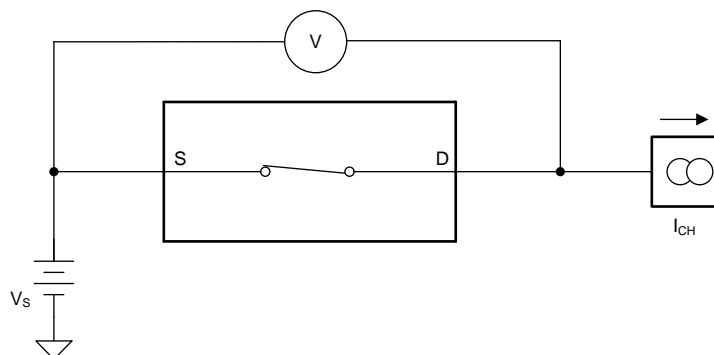


Figure 17. On-Resistance Measurement Setup

$$R_{ON} = V / I_{CH} \quad (1)$$

8.1.2 Off-Leakage Current

There are two types of leakage currents associated with a switch during the off state:

1. Source off-leakage current
2. Drain off-leakage current

Source leakage current is defined as the leakage current flowing into or out of the source pin when the switch is off. This current is denoted by the symbol $I_{S(OFF)}$.

Drain leakage current is defined as the leakage current flowing into or out of the drain pin when the switch is off. This current is denoted by the symbol $I_{D(OFF)}$.

The setup used to measure both off-leakage currents is shown in Figure 18

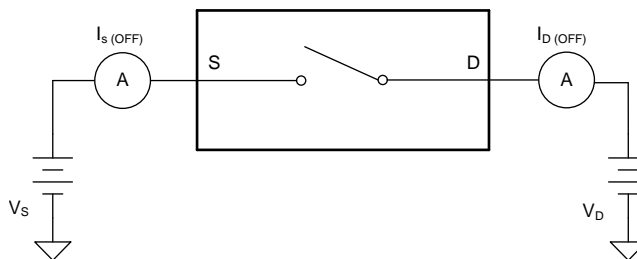


Figure 18. Off-Leakage Measurement Setup

Overview (continued)

8.1.3 On-Leakage Current

On-leakage current is defined as the leakage current that flows into or out of the drain pin when the switch is in the on state. The source pin is left floating during the measurement. Figure 19 shows the circuit used for measuring the on-leakage current, denoted by $I_{D(ON)}$.

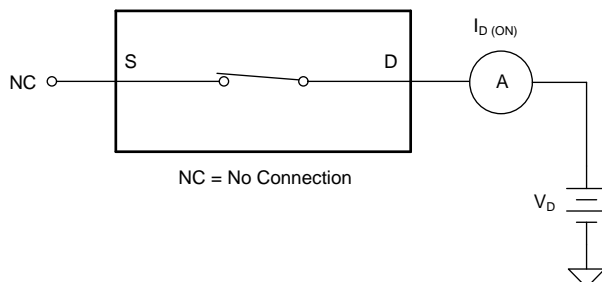


Figure 19. On-Leakage Measurement Setup

8.1.4 Transition Time

Transition time is defined as the time taken by the output of the TMUX6104 to rise (to 90% of the transition) or fall (to 10% of the transition) after the digital address signal has fallen or risen to 50% of the transition. Figure 20 shows the setup used to measure transition time, denoted by the symbol t_{TRAN} .

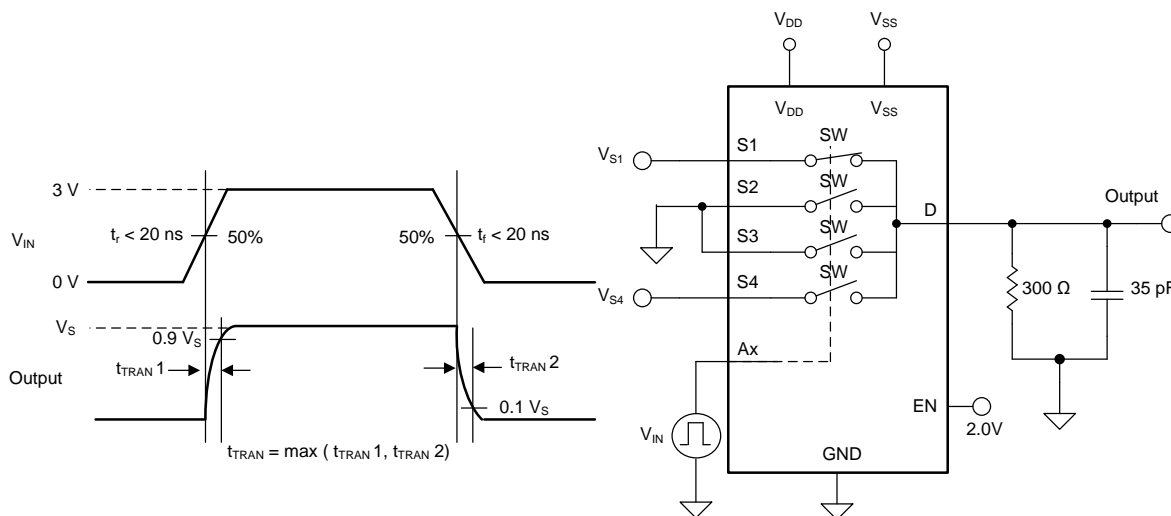


Figure 20. Transition-Time Measurement Setup

Overview (continued)

8.1.5 Break-Before-Make Delay

Break-before-make delay is a safety feature that prevents two inputs from connecting when the TMUX6104 is switching. The TMUX6104 output first breaks from the on-state switch before making the connection with the next on-state switch. The time delay between the *break* and the *make* is known as break-before-make delay. [Figure 21](#) shows the setup used to measure break-before-make delay, denoted by the symbol t_{BBM} .

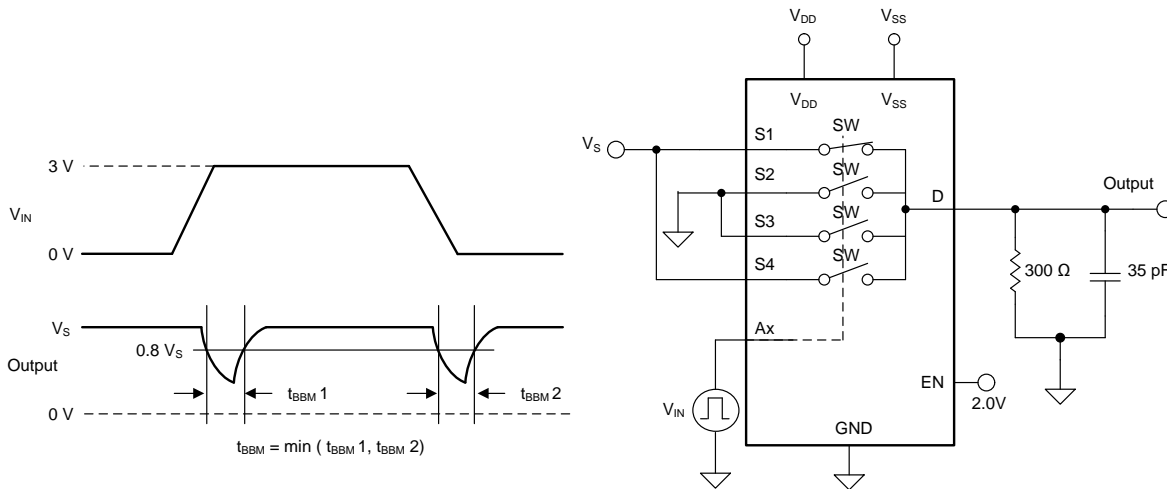


Figure 21. Break-Before-Make Delay Measurement Setup

8.1.6 Turn-On and Turn-Off Time

Turn-on time is defined as the time taken by the output of the TMUX6104 to rise to a 90% final value after the enable signal has risen to a 50% final value. [Figure 22](#) shows the setup used to measure turn-on time. Turn-on time is denoted by the symbol $t_{ON (EN)}$.

Turn off time is defined as the time taken by the output of the TMUX6104 to fall to a 10% initial value after the enable signal has fallen to a 50% initial value. [Figure 22](#) shows the setup used to measure turn-off time. Turn-off time is denoted by the symbol $t_{OFF (EN)}$.

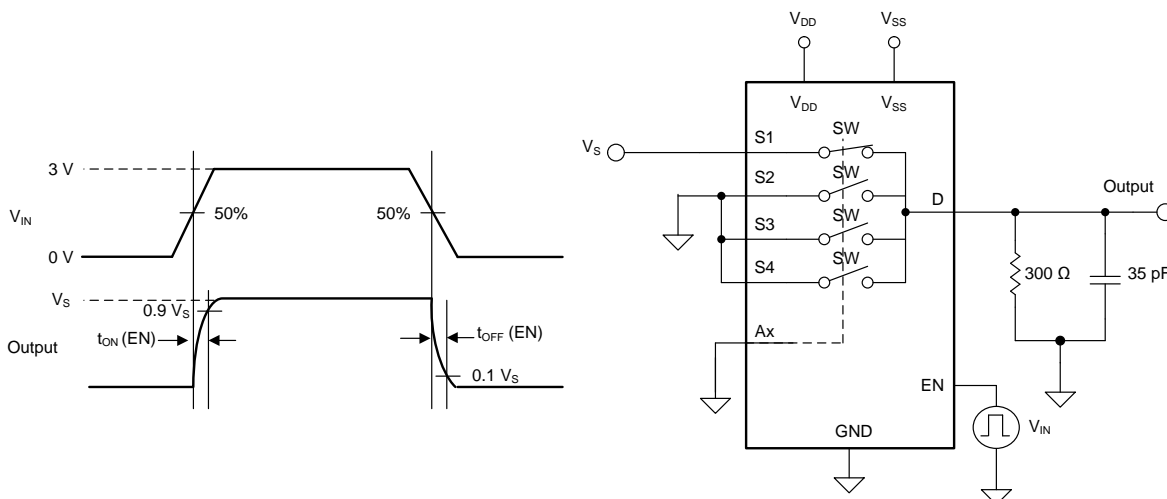


Figure 22. Turn-On and Turn-Off Time Measurement Setup

Overview (continued)

8.1.7 Charge Injection

The TMUX6104 have a simple transmission-gate topology. Any mismatch in capacitance between the NMOS and PMOS transistors results in a charge injected into the drain or source during the falling or rising edge of the gate signal. The amount of charge injected into the source or drain of the device is known as charge injection, and is denoted by the symbol Q_{INJ} . Figure 23 shows the setup used to measure charge injection from source (Sx) to drain (D).

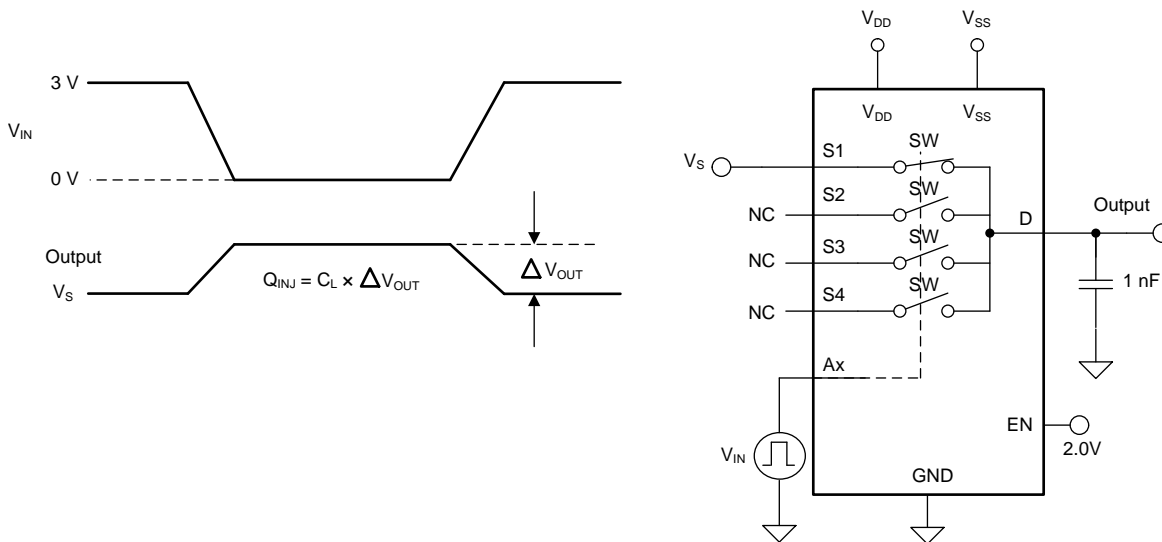


Figure 23. Charge-Injection Measurement Setup

8.1.8 Off Isolation

Off isolation is defined as the voltage at the drain pin (D) of the TMUX6104 when a 1- V_{RMS} signal is applied to the source pin (Sx) of an off-channel. Figure 24 shows the setup used to measure off isolation. Use Equation 2 to compute off isolation.

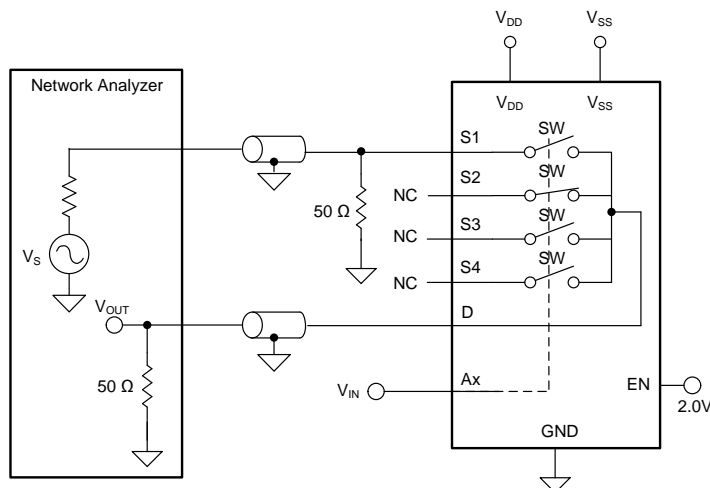


Figure 24. Off Isolation Measurement Setup

$$\text{Off Isolation} = 20 \cdot \text{Log} \left(\frac{V_{OUT}}{V_S} \right)$$

(2)

Overview (continued)

8.1.9 Channel-to-Channel Crosstalk

Channel-to-channel crosstalk is defined as the voltage at the source pin (S_x) of an off-channel, when a 1- V_{RMS} signal is applied at the source pin (S_x) of an on-channel. Figure 25 shows the setup used to measure, and Equation 3 is the equation used to compute, channel-to-channel crosstalk.

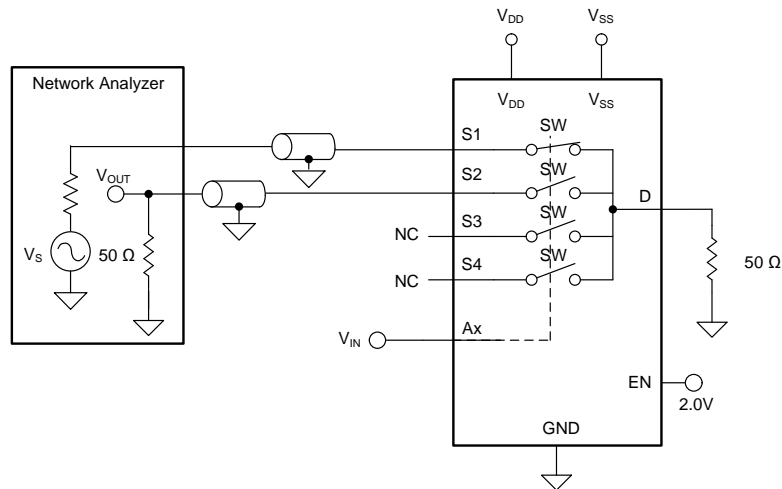


Figure 25. Channel-to-Channel Crosstalk Measurement Setup

$$\text{Channel-to-Channel Crosstalk} = 20 \cdot \text{Log} \left(\frac{V_{\text{OUT}}}{V_S} \right) \quad (3)$$

8.1.10 Bandwidth

Bandwidth is defined as the range of frequencies that are attenuated by < 3 dB when the input is applied to the source pin (S_x) of an on-channel, and the output is measured at the drain pin (D) of the TMUX6104. Figure 26 shows the setup used to measure bandwidth of the mux. Use Equation 4 to compute the attenuation.

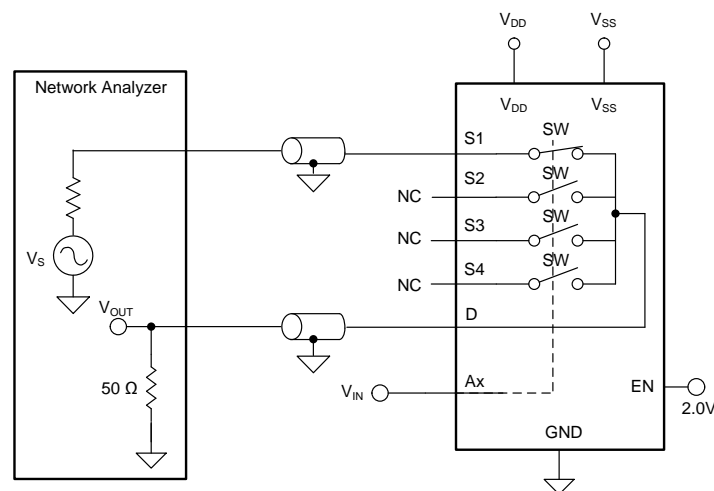


Figure 26. Bandwidth Measurement Setup

$$\text{Attenuation} = 20 \times \text{Log} \left(\frac{V_{\text{OUT}}}{V_S} \right) \quad (4)$$

Overview (continued)

8.1.11 THD + Noise

The total harmonic distortion (THD) of a signal is a measurement of the harmonic distortion, and is defined as the ratio of the sum of the powers of all harmonic components to the power of the fundamental frequency at the mux output. The on-resistance of the TMUX6104 varies with the amplitude of the input signal and results in distortion when the drain pin is connected to a low-impedance load. Total harmonic distortion plus noise is denoted as THD+N.

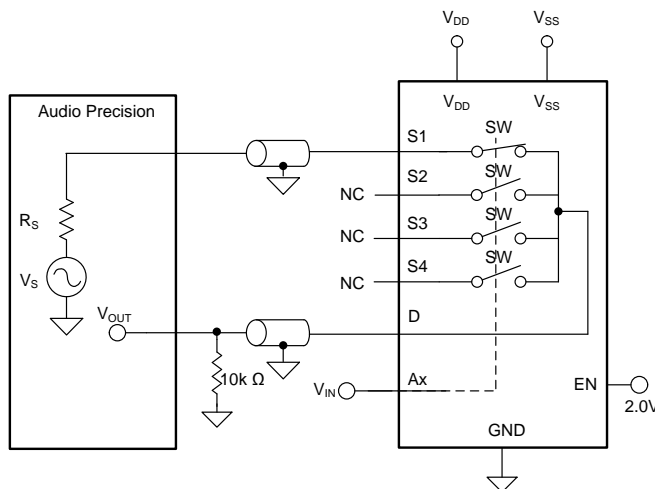


Figure 27. THD+N Measurement Setup

8.1.12 AC Power Supply Rejection Ratio (AC PSRR)

AC PSRR measures the ability of a device to prevent noise and spurious signals that appear on the supply voltage pin from coupling to the output of the switch. The DC voltage on the device supply is modulated by a sine wave of 620 mV_{PP}. The ratio of the amplitude of signal on the output to the amplitude of the modulated signal is the AC PSRR.

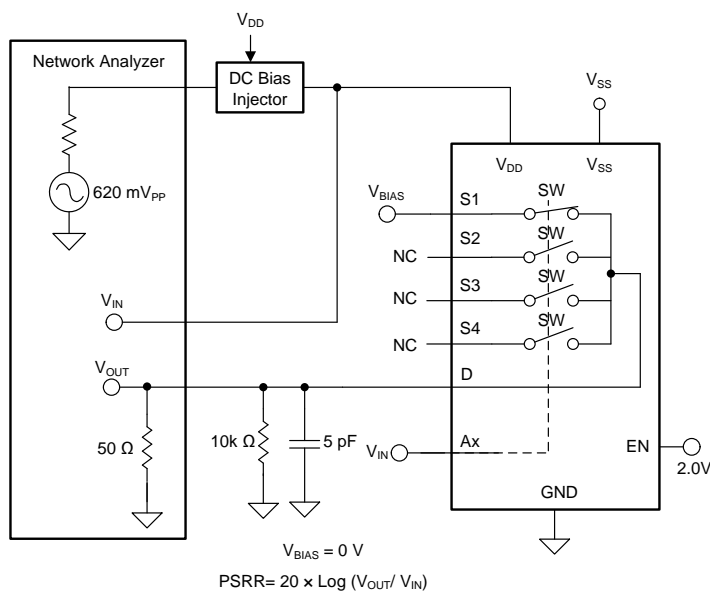
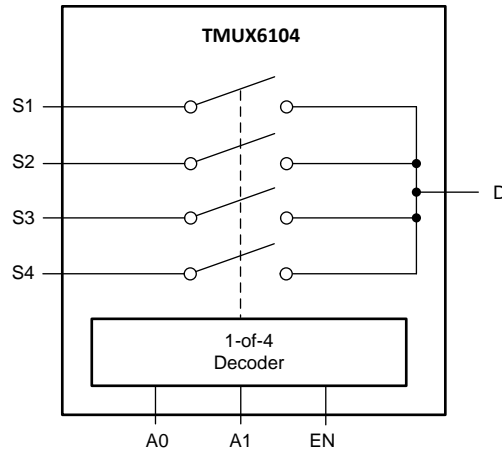


Figure 28. AC PSRR Measurement Setup

Overview (continued)

The [Functional Block Diagram](#) section provides a top-level block diagram of the TMUX6104. The TMUX6104 is a 4-channel, single-ended, analog multiplexer. Each channel is turned on or turned off based on the state of the address lines and enable pin.

8.2 Functional Block Diagram



Copyright © 2017, Texas Instruments Incorporated

8.3 Feature Description

8.3.1 Ultralow Leakage Current

The TMUX6104 provide extremely low on- and off-leakage currents. The TMUX6104 is capable of switching signals from high source-impedance inputs into a high input-impedance op amp with minimal offset error because of the ultralow leakage currents. [Figure 29](#) shows typical leakage currents of the TMUX6104 versus temperature.

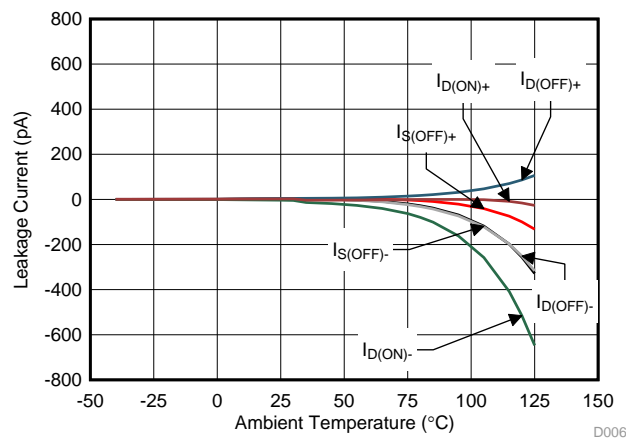


Figure 29. Leakage Current vs Temperature

8.3.2 Ultralow Charge Injection

The TMUX6104 is implemented with simple transmission gate topology, as shown in [Figure 30](#). Any mismatch in the stray capacitance associated with the NMOS and PMOS causes an output level change whenever the switch is opened or closed.

Feature Description (continued)

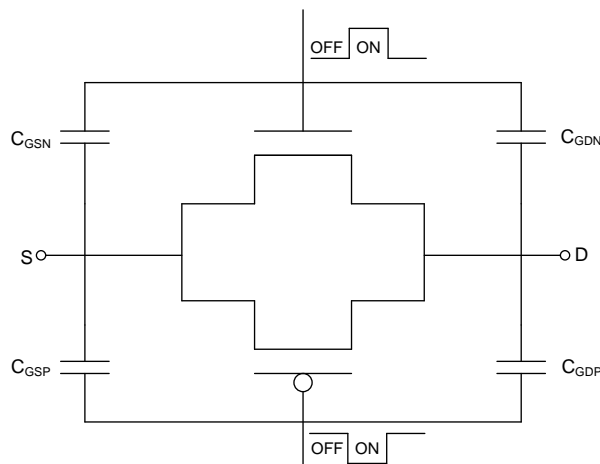


Figure 30. Transmission Gate Topology

The TMUX6119 utilizes special charge-injection cancellation circuitry that reduces the source (Sx) to drain (D) charge injection to as low as -0.35 pC at $V_S = 0$ V, and -0.41 pC in the full signal range, as shown in Figure 31.

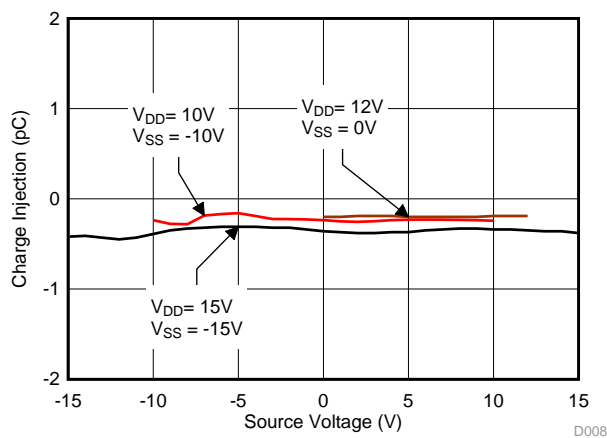


Figure 31. Source-to-Drain Charge Injection vs Source Voltage

The drain (D)-to-source (Sx) charge injection becomes important when the device is used as a demultiplexer (demux), where the drain (D) becomes the input and the source (Sx) becomes the output. Figure 32 shows the drain-to-source charge injection across the full signal range.

Feature Description (continued)

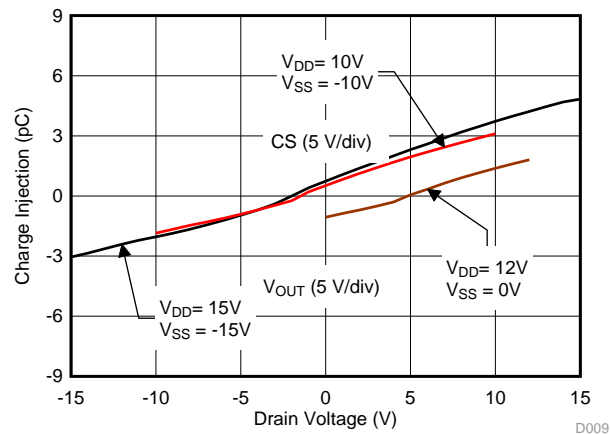


Figure 32. Drain-to-Source Charge Injection vs Drain Voltage

8.3.3 Bidirectional and Rail-to-Rail Operation

The TMUX6104 conducts equally well from source (Sx) to drain (D) or from drain (D) to source (Sx). Each TMUX6104 channel has very similar characteristics in both directions. The valid analog signal for TMUX6104 ranges from V_{SS} to V_{DD} . The input signal to the TMUX6104 swings from V_{SS} to V_{DD} without any significant degradation in performance.

8.4 Device Functional Modes

When the EN pin of the TMUX6104 is pulled high, one of the four switches is closed based on the state of the address pins (A0 and A1). When the EN pin is pulled low, all four switches remain open irrespective of the state of the address pins. The EN pin is weakly pull-down internally through a 6 M Ω resistor; thereby, setting each channel to the open state if the EN pin is not actively driven. The address pins are also weakly pulled-down through an internal 6 M Ω resistor, allowing channel 1 (S1 to D) to be selected by default when EN pin is driven high. Both the EN pin and the address pins can be connected to V_{DD} (as high as 16.5 V).

9 Application and Implementation

NOTE

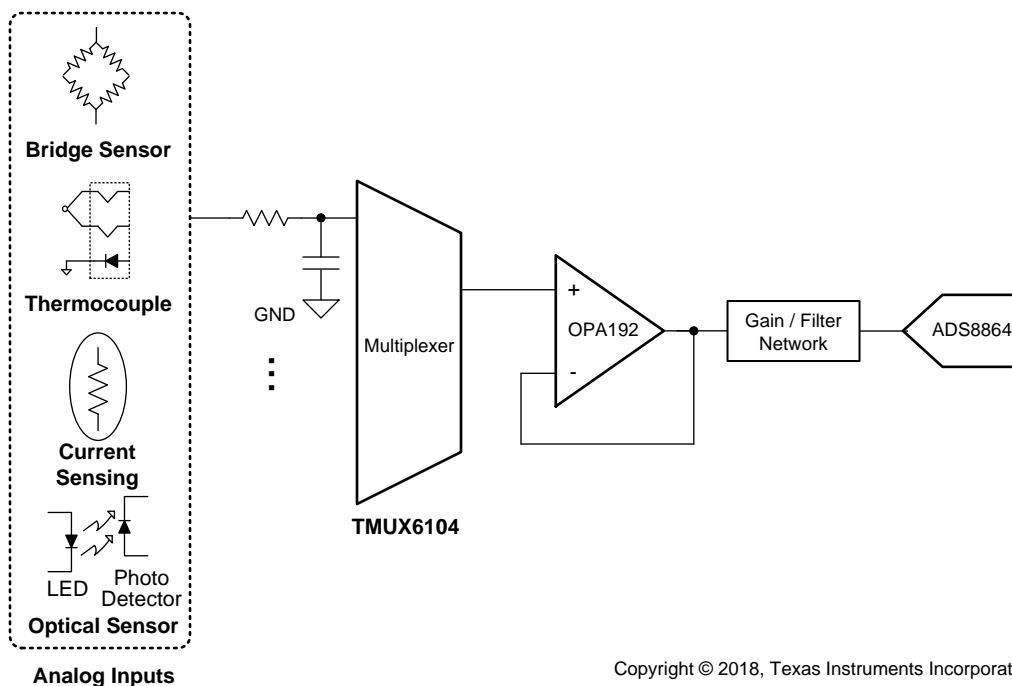
Information in the following applications sections is not part of the TI component specification, and TI does not warrant its accuracy or completeness. TI's customers are responsible for determining suitability of components for their purposes. Customers should validate and test their design implementation to confirm system functionality.

9.1 Application Information

The TMUX6104 offers outstanding input/output leakage currents and ultralow charge injection. These devices operate up to 33 V, and offer true rail-to-rail input and output. The on-capacitance of the TMUX6104 is very low. These features makes the TMUX6104 a precision, robust, high-performance analog multiplexer for high-voltage, industrial applications.

9.2 Typical Application

Figure 33 shows a 16-bit, differential, 4-channel, multiplexed, data-acquisition system. This example is typical in industrial applications that require low distortion and a high-voltage input. The circuit uses the ADS8864, a 16-bit, 400-kSPS successive-approximation-resistor (SAR) analog-to-digital converter (ADC), along with a precision, high-voltage, signal-conditioning front end, and a 4-channel single-ended mux. This TI Precision Design details the process for optimizing the precision, high-voltage, front-end drive circuit using the TMUX6104 and OPA192 to achieve excellent dynamic performance and linearity with the ADS8864.



Copyright © 2018, Texas Instruments Incorporated

Figure 33. 16-Bit Precision Multiplexed Data-Acquisition System for High-Voltage Inputs With Lowest Distortion

Typical Application (continued)

9.2.1 Design Requirements

The primary objective is to design a ± 15 V, single-ended, 4-channel, multiplexed, data-acquisition system with lowest distortion using the 16-bit ADS8864 at a throughput of 400 kSPS for a 10-kHz, full-scale, pure, sine-wave input. The design requirements for this block design are:

- System supply voltage: ± 15 V
- ADC supply voltage: 3.3 V
- ADC sampling rate: 400 kSPS
- ADC reference voltage (REFP): 4.096 V
- System input signal: A high-voltage differential input signal with a peak amplitude of 15 V and frequency (f_{IN}) of 10 kHz are applied to each differential input of the mux.

9.2.2 Detailed Design Procedure

The purpose of this precision design is to design an optimal, high-voltage, multiplexed, data-acquisition system for highest system linearity and fast settling. The overall system block diagram is illustrated in [Figure 33](#). The circuit is a multichannel, data-acquisition signal chain consisting of an input low-pass filter, mux, mux output buffer, and attenuating SAR ADC driver. The architecture allows fast sampling of multiple channels using a single ADC, providing a low-cost solution. This design systematically approaches each analog circuit block to achieve a 16-bit settling for a full-scale input stage voltage and linearity for a 10-kHz sinusoidal input signal at each input channel.

9.2.3 Application Curve

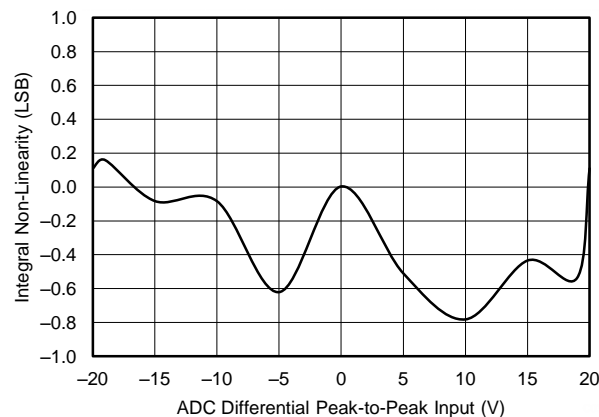


Figure 34. ADC 16-Bit Linearity Error for the Multiplexed Data-Acquisition Block

10 Power Supply Recommendations

The TMUX6104 operates across a wide supply range of ± 5 V to ± 16.5 V (10 V to 16.5 V in single-supply mode). The device also perform well with unsymmetric supplies such as $V_{DD} = 12$ V and $V_{SS} = -5$ V. For reliable operation, use a supply decoupling capacitor ranging between 0.1 μ F to 10 μ F at both the V_{DD} and V_{SS} pins to ground.

The on-resistance of the TMUX6104 varies with supply voltage, as illustrated in [Figure 35](#)

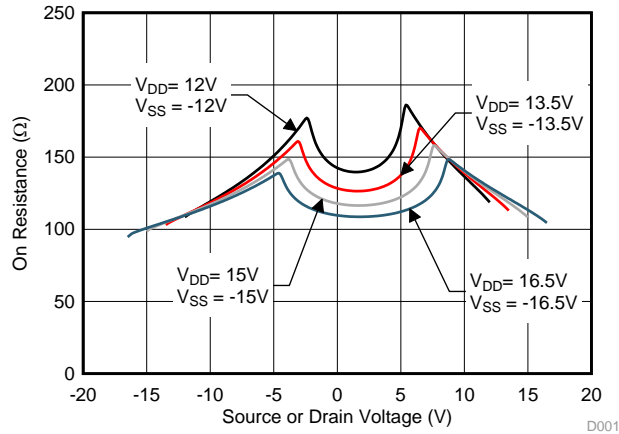


Figure 35. On-Resistance Variation With Supply and Input Voltage

11 Layout

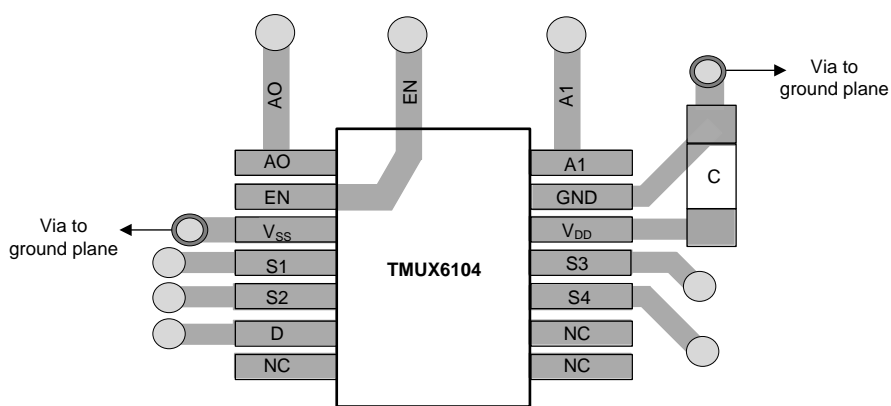
11.1 Layout Guidelines

Figure 36 illustrates an example of a PCB layout with the TMUX6104.

Some key considerations are:

1. Decouple the V_{DD} and V_{SS} pins with a 0.1- μF capacitor, placed as close to the pin as possible. Make sure that the capacitor voltage rating is sufficient for the V_{DD} and V_{SS} supplies.
2. Keep the input lines as short as possible.
3. Use a solid ground plane to help distribute heat and reduce electromagnetic interference (EMI) noise pickup.
4. Do not run sensitive analog traces in parallel with digital traces. Avoid crossing digital and analog traces if possible, and only make perpendicular crossings when necessary.

11.2 Layout Example



Copyright © 2018, Texas Instruments Incorporated

Figure 36. TMUX6104 Layout Example

12 Device and Documentation Support

12.1 Documentation Support

12.1.1 Related Documentation

- [ADS8664 12-Bit, 500-kSPS, 4- and 8-Channel, Single-Supply, SAR ADCs with Bipolar Input Ranges \(SBAS492\)](#)
- [OPA192 36-V, Precision, Rail-to-Rail Input/Output, Low Offset Voltage, Low Input Bias Current Op Amp with e-Trim™ \(SBOS620\)](#)

12.2 Receiving Notification of Documentation Updates

To receive notification of documentation updates, navigate to the device product folder on ti.com. In the upper right corner, click on *Alert me* to register and receive a weekly digest of any product information that has changed. For change details, review the revision history included in any revised document.

12.3 Community Resources

The following links connect to TI community resources. Linked contents are provided "AS IS" by the respective contributors. They do not constitute TI specifications and do not necessarily reflect TI's views; see TI's [Terms of Use](#).

TI E2E™ Online Community *TI's Engineer-to-Engineer (E2E) Community*. Created to foster collaboration among engineers. At e2e.ti.com, you can ask questions, share knowledge, explore ideas and help solve problems with fellow engineers.

Design Support *TI's Design Support* Quickly find helpful E2E forums along with design support tools and contact information for technical support.

12.4 Trademarks

E2E is a trademark of Texas Instruments.
All other trademarks are the property of their respective owners.

12.5 Electrostatic Discharge Caution



This integrated circuit can be damaged by ESD. Texas Instruments recommends that all integrated circuits be handled with appropriate precautions. Failure to observe proper handling and installation procedures can cause damage.

ESD damage can range from subtle performance degradation to complete device failure. Precision integrated circuits may be more susceptible to damage because very small parametric changes could cause the device not to meet its published specifications.

12.6 Glossary

[SLYZ022](#) — *TI Glossary*.

This glossary lists and explains terms, acronyms, and definitions.

13 Mechanical, Packaging, and Orderable Information

The following pages include mechanical, packaging, and orderable information. This information is the most current data available for the designated devices. This data is subject to change without notice and revision of this document. For browser-based versions of this data sheet, refer to the left-hand navigation.

PACKAGING INFORMATION

Orderable part number	Status (1)	Material type (2)	Package Pins	Package qty Carrier	RoHS (3)	Lead finish/ Ball material (4)	MSL rating/ Peak reflow (5)	Op temp (°C)	Part marking (6)
TMUX6104PWR	Active	Production	TSSOP (PW) 14	2000 LARGE T&R	Yes	NIPDAU SN	Level-1-260C-UNLIM	-40 to 125	MUX6104
TMUX6104PWR.B	Active	Production	TSSOP (PW) 14	2000 LARGE T&R	Yes	NIPDAU	Level-1-260C-UNLIM	-40 to 125	MUX6104
TMUX6104PWRG4	Active	Production	TSSOP (PW) 14	2000 LARGE T&R	Yes	NIPDAU	Level-1-260C-UNLIM	-40 to 125	MUX6104
TMUX6104PWRG4.B	Active	Production	TSSOP (PW) 14	2000 LARGE T&R	Yes	NIPDAU	Level-1-260C-UNLIM	-40 to 125	MUX6104

(1) **Status:** For more details on status, see our [product life cycle](#).

(2) **Material type:** When designated, preproduction parts are prototypes/experimental devices, and are not yet approved or released for full production. Testing and final process, including without limitation quality assurance, reliability performance testing, and/or process qualification, may not yet be complete, and this item is subject to further changes or possible discontinuation. If available for ordering, purchases will be subject to an additional waiver at checkout, and are intended for early internal evaluation purposes only. These items are sold without warranties of any kind.

(3) **RoHS values:** Yes, No, RoHS Exempt. See the [TI RoHS Statement](#) for additional information and value definition.

(4) **Lead finish/Ball material:** Parts may have multiple material finish options. Finish options are separated by a vertical ruled line. Lead finish/Ball material values may wrap to two lines if the finish value exceeds the maximum column width.

(5) **MSL rating/Peak reflow:** The moisture sensitivity level ratings and peak solder (reflow) temperatures. In the event that a part has multiple moisture sensitivity ratings, only the lowest level per JEDEC standards is shown. Refer to the shipping label for the actual reflow temperature that will be used to mount the part to the printed circuit board.

(6) **Part marking:** There may be an additional marking, which relates to the logo, the lot trace code information, or the environmental category of the part.

Multiple part markings will be inside parentheses. Only one part marking contained in parentheses and separated by a "~" will appear on a part. If a line is indented then it is a continuation of the previous line and the two combined represent the entire part marking for that device.

Important Information and Disclaimer: The information provided on this page represents TI's knowledge and belief as of the date that it is provided. TI bases its knowledge and belief on information provided by third parties, and makes no representation or warranty as to the accuracy of such information. Efforts are underway to better integrate information from third parties. TI has taken and continues to take reasonable steps to provide representative and accurate information but may not have conducted destructive testing or chemical analysis on incoming materials and chemicals. TI and TI suppliers consider certain information to be proprietary, and thus CAS numbers and other limited information may not be available for release.

In no event shall TI's liability arising out of such information exceed the total purchase price of the TI part(s) at issue in this document sold by TI to Customer on an annual basis.

TAPE AND REEL INFORMATION

QUADRANT ASSIGNMENTS FOR PIN 1 ORIENTATION IN TAPE

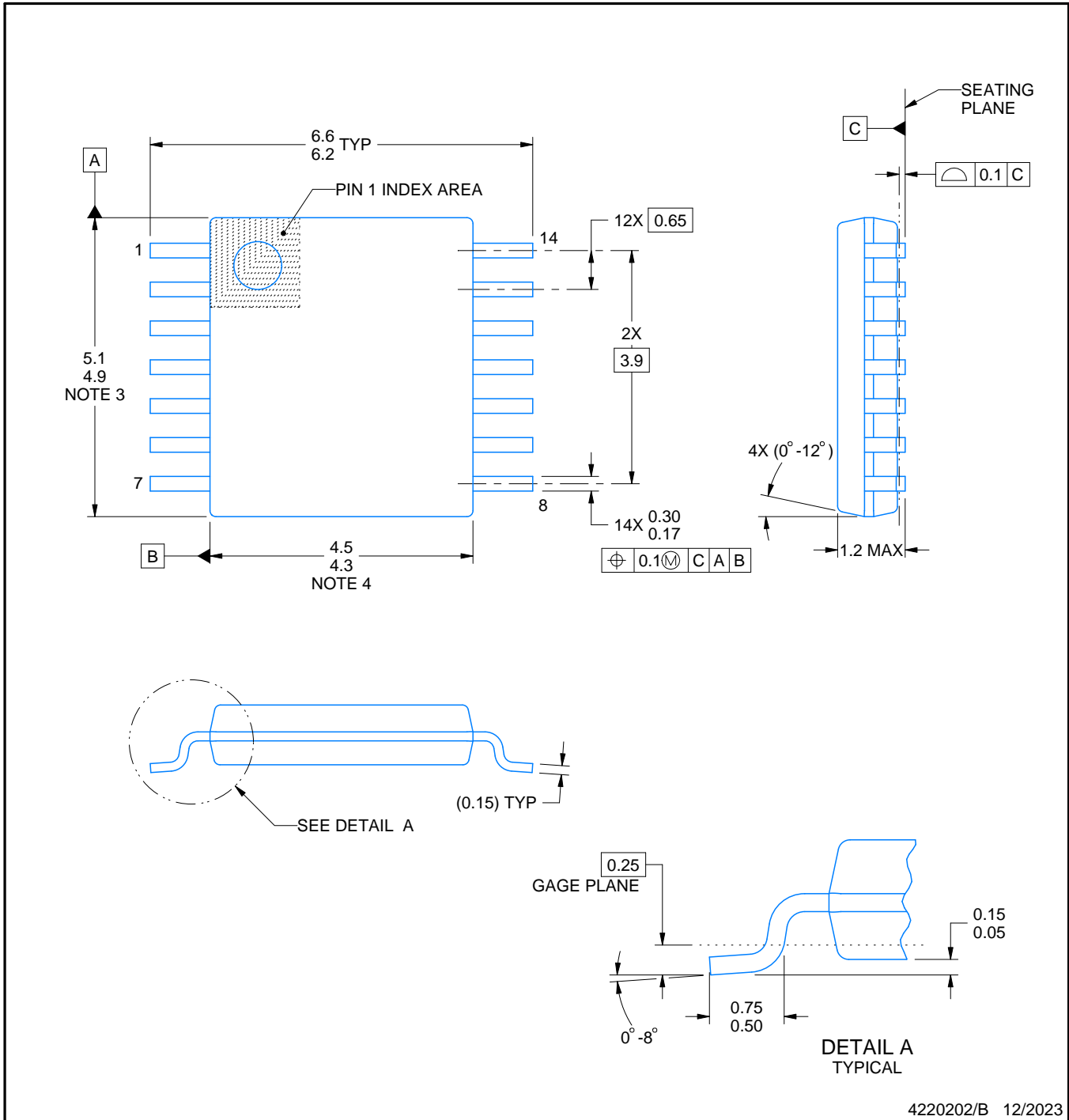

*All dimensions are nominal

Device	Package Type	Package Drawing	Pins	SPQ	Reel Diameter (mm)	Reel Width W1 (mm)	A0 (mm)	B0 (mm)	K0 (mm)	P1 (mm)	W (mm)	Pin1 Quadrant
TMUX6104PWR	TSSOP	PW	14	2000	330.0	12.4	6.9	5.6	1.6	8.0	12.0	Q1
TMUX6104PWR	TSSOP	PW	14	2000	330.0	12.4	6.9	5.6	1.6	8.0	12.0	Q1
TMUX6104PWRG4	TSSOP	PW	14	2000	330.0	12.4	6.9	5.6	1.6	8.0	12.0	Q1

TAPE AND REEL BOX DIMENSIONS


*All dimensions are nominal

Device	Package Type	Package Drawing	Pins	SPQ	Length (mm)	Width (mm)	Height (mm)
TMUX6104PWR	TSSOP	PW	14	2000	356.0	356.0	35.0
TMUX6104PWR	TSSOP	PW	14	2000	353.0	353.0	32.0
TMUX6104PWRG4	TSSOP	PW	14	2000	353.0	353.0	32.0



4220202/B 12/2023

NOTES:

1. All linear dimensions are in millimeters. Any dimensions in parenthesis are for reference only. Dimensioning and tolerancing per ASME Y14.5M.
2. This drawing is subject to change without notice.
3. This dimension does not include mold flash, protrusions, or gate burrs. Mold flash, protrusions, or gate burrs shall not exceed 0.15 mm per side.
4. This dimension does not include interlead flash. Interlead flash shall not exceed 0.25 mm per side.
5. Reference JEDEC registration MO-153.

EXAMPLE BOARD LAYOUT

PW0014A

TSSOP - 1.2 mm max height

SMALL OUTLINE PACKAGE



LAND PATTERN EXAMPLE
EXPOSED METAL SHOWN
SCALE: 10X



4220202/B 12/2023

NOTES: (continued)

- 6. Publication IPC-7351 may have alternate designs.
- 7. Solder mask tolerances between and around signal pads can vary based on board fabrication site.

EXAMPLE STENCIL DESIGN

PW0014A

TSSOP - 1.2 mm max height

SMALL OUTLINE PACKAGE



SOLDER PASTE EXAMPLE
BASED ON 0.125 mm THICK STENCIL
SCALE: 10X

4220202/B 12/2023

NOTES: (continued)

8. Laser cutting apertures with trapezoidal walls and rounded corners may offer better paste release. IPC-7525 may have alternate design recommendations.
9. Board assembly site may have different recommendations for stencil design.

IMPORTANT NOTICE AND DISCLAIMER

TI PROVIDES TECHNICAL AND RELIABILITY DATA (INCLUDING DATASHEETS), DESIGN RESOURCES (INCLUDING REFERENCE DESIGNS), APPLICATION OR OTHER DESIGN ADVICE, WEB TOOLS, SAFETY INFORMATION, AND OTHER RESOURCES "AS IS" AND WITH ALL FAULTS, AND DISCLAIMS ALL WARRANTIES, EXPRESS AND IMPLIED, INCLUDING WITHOUT LIMITATION ANY IMPLIED WARRANTIES OF MERCHANTABILITY, FITNESS FOR A PARTICULAR PURPOSE OR NON-INFRINGEMENT OF THIRD PARTY INTELLECTUAL PROPERTY RIGHTS.

These resources are intended for skilled developers designing with TI products. You are solely responsible for (1) selecting the appropriate TI products for your application, (2) designing, validating and testing your application, and (3) ensuring your application meets applicable standards, and any other safety, security, regulatory or other requirements.

These resources are subject to change without notice. TI grants you permission to use these resources only for development of an application that uses the TI products described in the resource. Other reproduction and display of these resources is prohibited. No license is granted to any other TI intellectual property right or to any third party intellectual property right. TI disclaims responsibility for, and you fully indemnify TI and its representatives against any claims, damages, costs, losses, and liabilities arising out of your use of these resources.

TI's products are provided subject to [TI's Terms of Sale](#), [TI's General Quality Guidelines](#), or other applicable terms available either on [ti.com](#) or provided in conjunction with such TI products. TI's provision of these resources does not expand or otherwise alter TI's applicable warranties or warranty disclaimers for TI products. Unless TI explicitly designates a product as custom or customer-specified, TI products are standard, catalog, general purpose devices.

TI objects to and rejects any additional or different terms you may propose.

Copyright © 2026, Texas Instruments Incorporated

Last updated 10/2025