

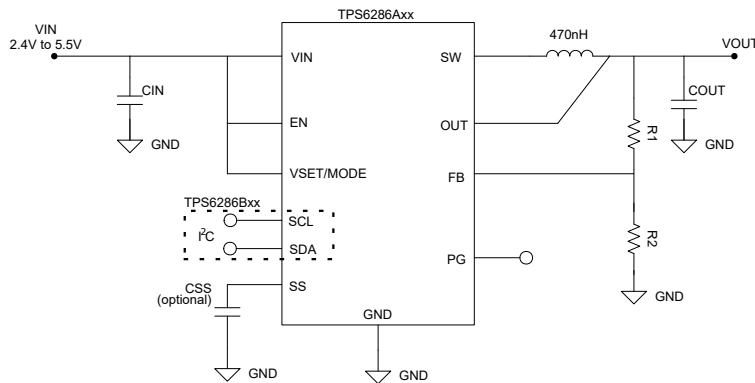
TPS6286Axx and TPS6286Bxx 2.4V to 5.5V Input, 6A, 8A, and 10A, Synchronous Step-Down Converter in 2mm × 3mm QFN Package With FB/I²C Interface

1 Features

- 2.4V to 5.5V input voltage range
- 8mΩ and 8mΩ internal power MOSFETs
- 5.1μA operating quiescent current
- 1.2MHz switching frequency
- 100% duty cycle mode
- 0.7% output voltage accuracy
- Forced PWM or power save mode
- DCS-Control topology (constant on-time)
- FB version (TPS6286Axx) output voltage:
 - Adjustable from 0.6V to V_{IN}
 - Fixed (by external resistor) from 0.4V to 1.6V
- I²C version (TPS6286Bxx) with selectable:
 - Output voltage from 0.4V to 1.675V with 5mV step size
 - Power save mode or forced PWM mode
 - Hiccup or latching short-circuit protection
 - Dynamic, adaptive voltage scaling ramp speed
- Output voltage discharge
- Hiccup short-circuit protection
- Power-good indicator with window comparator
- Thermal shutdown
- Adjustable soft start
- –40°C to 125°C operating temperature range
- Create a custom design using the TPS6286Axx and TPS6286Bxx with the [WEBENCH® Power Designer](#)

2 Applications

- Core supply for FPGAs, CPUs, ASICs, and DSPs
- Machine vision cameras
- IP network cameras
- Solid state drive



Typical Application Schematic

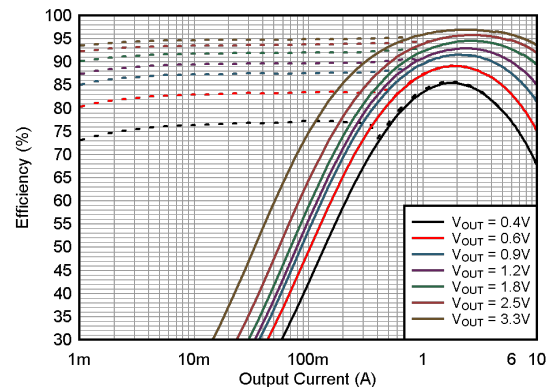
3 Description

The TPS6286Axx and TPS6286Bxx devices are high-frequency, synchronous, step-down converters, which provide an efficient, flexible, and high power-density design. At medium to heavy loads, the converters operate in pulse width modulation (PWM) mode and automatically enter power save mode operation at light load to maintain high efficiency over the entire load current range. The devices can also be forced in PWM mode operation to minimize output voltage ripple. Together with the DCS-Control architecture, excellent load transient performance and tight output voltage accuracy is achieved. The devices feature a Power-Good signal and an adjustable soft-start feature. The devices are able to operate in 100% mode. For fault protection, the devices incorporate a HICCUP short-circuit protection as well as a thermal shutdown.

Device Information

PART NUMBER ⁽³⁾	PACKAGE ⁽¹⁾	PACKAGE SIZE ⁽²⁾
TPS6286A06	VBM (VQFN-HR, 13)	2mm × 3mm
TPS6286A08		
TPS6286A10		
TPS6286B08		
TPS6286B10		

- (1) For more information, see [Section 12](#).
- (2) The package size (length × width) is a nominal value and includes pins, where applicable.
- (3) See the [Device Options](#) table.



Efficiency Curve vs Output Current, $V_{IN} = 5V$



Table of Contents

1 Features	1	8.2 Register Address Byte.....	22
2 Applications	1	8.3 V _{OUT} Register.....	22
3 Description	1	8.4 CONTROL Register.....	23
4 Device Options	3	8.5 STATUS Register.....	23
5 Pin Configuration and Functions	4	9 Application and Implementation	24
6 Specifications	7	9.1 Application Information.....	24
6.1 Absolute Maximum Rating.....	7	9.2 Typical Application.....	24
6.2 ESD Ratings.....	7	9.3 Power Supply Recommendations.....	33
6.3 Recommended Operating Conditions.....	7	9.4 Layout.....	33
6.4 Thermal Information.....	7	10 Device and Documentation Support	35
6.5 Electrical Characteristics.....	8	10.1 Device Support.....	35
6.6 I ² C Interface Timing Requirements.....	9	10.2 Documentation Support.....	35
6.7 Typical Characteristics.....	12	10.3 Receiving Notification of Documentation Updates..	35
7 Detailed Description	13	10.4 Support Resources.....	35
7.1 Overview.....	13	10.5 Trademarks.....	35
7.2 Functional Block Diagram.....	13	10.6 Electrostatic Discharge Caution.....	36
7.3 Feature Description.....	14	10.7 Glossary.....	36
7.4 Device Functional Modes.....	16	11 Revision History	36
7.5 Programming.....	18	12 Mechanical, Packaging, and Orderable Information	36
8 Register Map	22		
8.1 Target Address Byte.....	22		

4 Device Options

PART NUMBER	OUTPUT VOLTAGE RANGE	START-UP VOLTAGE	OUTPUT CURRENT	VERSION	I ² C TARGET ADDRESS
TPS6286A06VBMR	0.4V to Vin	Adjustable or fixed (selectable by external resistor on VSET/MODE)	6A	FB	
TPS6286A08VBMR	0.4V to Vin	Adjustable or fixed (selectable by external resistor on VSET/MODE)	8A	FB	
TPS6286A10VBMR	0.4V to Vin	Adjustable or fixed (selectable by external resistor on VSET/MODE)	10A	FB	
TPS6286B081VBMR	0.4V to 1.675V, 5mV DVS step size through I ² C	0.9V	8A	I ² C	0x42
TPS6286B101VBMR	0.4V to 1.675V, 5mV DVS step size through I ² C	0.9V	10A	I ² C	0x42

5 Pin Configuration and Functions

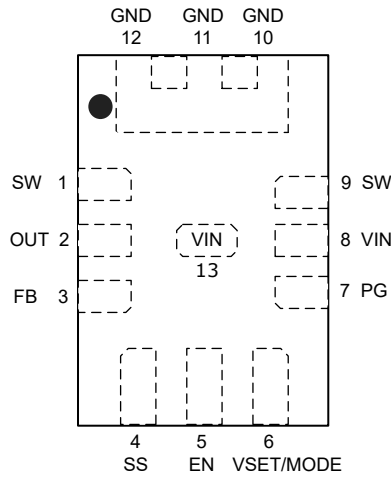


Figure 5-1. 13-Pin VBM VQFN-HR Package for FB Version (Top View)

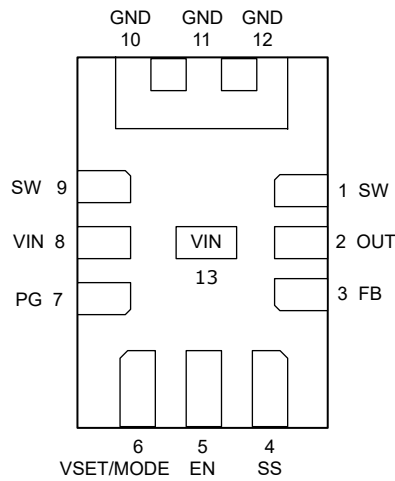


Figure 5-2. 13-Pin VBM VQFN-HR Package for FB Version (Bottom View)

Table 5-1. Pin Functions

PIN		TYPE ⁽¹⁾	DESCRIPTION
NAME	NO.		
EN	5	I	Device enable pin. To enable the device, this pin must be pulled high. Pulling this pin low disables the device. Do not leave floating.
FB	3	I	Voltage feedback input. Connect the output voltage resistor divider to this pin. When using a fixed output voltage, connect directly to OUT.
GND	10,11,12	GND	Power ground pin
OUT	2	I	Output voltage sense pin. This pin must be directly connected to the output capacitor.
PG	7	O	Power-good open-drain output pin. The pullup resistor can be connected to voltages up to 5.5V. If unused, leave this pin floating. This pin is pulled to GND when the device is in shutdown.
SS	4	I	Soft-start pin. An external capacitor can adjust the soft-start time. If unused, leave this pin floating to set a default SS time.
SW	1, 9	P	Switch pin of the power stage
VIN	8,13	P	Power supply input voltage pin
VSET/MODE	6	I	Connecting a resistor to GND selects one of the fixed output voltages. Tying the pin high or low selects an adjustable output voltage. After the device has started up, the pin operates as a MODE input. Applying a high level selects forced PWM mode operation and a low level selects power save mode operation.

(1) I = input, O = output, P = power, GND = ground

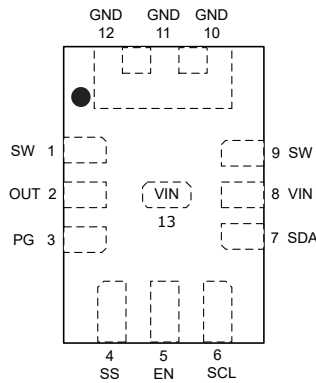


Figure 5-3. 13-Pin VBM VQFN-HR Package for I²C Version (Top View)

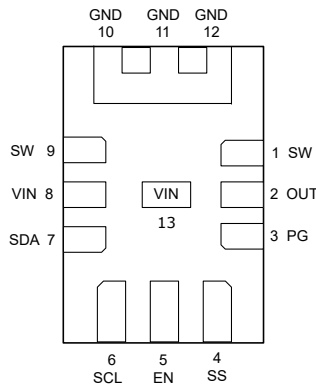


Figure 5-4. 13-Pin VBM VQFN-HR Package for I²C Version (Bottom View)

Table 5-2. Pin Functions

PIN		TYPE ⁽¹⁾	DESCRIPTION
NAME	NO.		
EN	5	I	Device enable pin. To enable the device, this pin must be pulled high. Pulling this pin low disables the device. Do not leave floating.
GND	10,11,12	GND	Power ground pin
OUT	2	I	Output voltage sense pin. This pin must be directly connected to the output capacitor.
PG	3	O	Power-good open-drain output pin. The pullup resistor can be connected to voltages up to 5.5V. If unused, leave this pin floating. This pin is pulled to GND when the device is in shutdown.
SCL	6	I	I ² C serial clock pin. Do not leave this pin floating. Connect this pin to AGND if not used.
SDA	7	I/O	I ² C serial data pin. Do not leave this pin floating. Connect this pin to AGND if not used.
SS	4	I	Soft-start pin. An external capacitor can adjust the soft-start time. If unused, leave this pin floating to set a default SS time.
SW	1, 9	P	Switch pin of the power stage
VIN	8,13	P	Power supply input voltage pin

(1) I = input, O = output, P = power, GND = ground

6 Specifications

6.1 Absolute Maximum Rating

over operating temperature range (unless otherwise noted)⁽¹⁾

		MIN	MAX	UNIT
Voltage ⁽²⁾	VIN, EN, OUT, SDA, SCL, FB, PG, VSET/MODE, SS	-0.3	6	V
	SW (DC)	-0.3	V _{IN} + 0.3	
	SW (AC, less than 10ns) ⁽³⁾	-2.5	10	
I _{SINK_SDA}	Sink current at SDA		2	mA
I _{SINK_PG}	Sink current at PG		1	mA
T _J	Junction temperature	-40	150	°C
T _{stg}	Storage temperature	-65	150	°C

- (1) Operation outside the Absolute Maximum Ratings may cause permanent device damage. Absolute Maximum Ratings do not imply functional operation of the device at these or any other conditions beyond those listed under Recommended Operating Conditions. If used outside the Recommended Operating Conditions but within the Absolute Maximum Ratings, the device may not be fully functional, and this may affect device reliability, functionality, performance, and shorten the device lifetime.
- (2) All voltage values are with respect to network ground terminal.
- (3) While switching.

6.2 ESD Ratings

			VALUE	UNIT
V _(ESD)	Electrostatic discharge	Human body model (HBM), per ANSI/ESDA/ JEDEC JS-001, all pins ⁽¹⁾	±2000	V
		Charged device model (CDM), per ANSI/ESDA/ JEDEC JS-002, all pins ⁽²⁾	±500	

- (1) JEDEC document JEP155 states that 500V HBM allows safe manufacturing with a standard ESD control process.
- (2) JEDEC document JEP157 states that 250V CDM allows safe manufacturing with a standard ESD control process.

6.3 Recommended Operating Conditions

Over operating junction temperature range (unless otherwise noted)

		MIN	NOM	MAX	UNIT
V _{IN}	Supply voltage range	2.4		5.5	V
V _{OUT}	Output voltage range, TPS6286Axx	0.4		V _{IN}	V
V _{OUT}	Output Voltage Range, TPS6286Bxx	0.4		1.675	V
V _{IN_SR}	Falling transition time at VIN ⁽¹⁾			10	mV/μs
I _{OUT}	Output current, TPS6286A06			6	A
I _{OUT}	Output current, TPS6286A08, TPS6286B08			8	A
I _{OUT}	Output current, TPS6286A10, TPS6286B10			10	A
T _J	Junction temperature	-40		125	°C

- (1) The falling slew rate of V_{IN} must be limited if V_{IN} goes below V_{UVLO}.

6.4 Thermal Information

THERMAL METRIC ⁽¹⁾		TPS6286Axx / TPS6286Bxx		UNIT
		JEDEC 51-7	TPS6286AxxEVM-050 / TPS6286B10EVM-049	
		13 PINS	13 PINS	
R _{θJA}	Junction-to-ambient thermal resistance	71.2	43.2	°C/W
R _{θJC(top)}	Junction-to-case (top) thermal resistance	45.3	n/a ⁽²⁾	°C/W
R _{θJB}	Junction-to-board thermal resistance	16.6	n/a ⁽²⁾	°C/W

THERMAL METRIC ⁽¹⁾		TPS6286Axx / TPS6286Bxx		UNIT
		JEDEC 51-7	TPS6286AxxEVM-050 / TPS6286B10EVM-049	
		13 PINS	13 PINS	
Ψ_{JT}	Junction-to-top characterization parameter	1.7	6.9	°C/W
Ψ_{JB}	Junction-to-board characterization parameter	16.6	10.5	°C/W

- (1) For more information about traditional and new thermal metrics, see the [Semiconductor and IC Package Thermal Metrics](#) application note.
 (2) Not applicable to an EVM.

6.5 Electrical Characteristics

$T_J = -40^\circ\text{C}$ to 125°C , and $V_{IN} = 2.4\text{V}$ to 5.5V . Typical values are at $T_J = 25^\circ\text{C}$ and $V_{IN} = 5\text{V}$, unless otherwise noted.

PARAMETER		TEST CONDITIONS	MIN	TYP	MAX	UNIT
SUPPLY						
I_{Q_VIN}	Quiescent current	EN = High, no load, device not switching, $T_J = 25^\circ\text{C}$		5.1	9	μA
I_{Q_OUT}	Operating quiescent current into OUT pin	EN = High, no load, device not switching, $V_{OUT} = 1.8\text{V}$, $T_J = 25^\circ\text{C}$		18		μA
I_{SD}	Shutdown current	EN = Low, $T_J = 25^\circ\text{C}$		0.24	0.75	μA
V_{UVLO}	Undervoltage lock out threshold	V_{IN} rising	2.2	2.3	2.4	V
		V_{IN} falling	2.1	2.2	2.3	V
T_{JSD}	Thermal shutdown threshold	T_J rising		150		°C
	Thermal shutdown hysteresis	T_J falling		20		°C
T_{JW}	Thermal warning threshold	T_J rising		130		°C
	Thermal warning hysteresis	T_J falling		20		°C
LOGIC INTERFACE						
V_{IH}	High-level input threshold voltage at EN, SCL, SDA and VSET/MODE		0.9			V
V_{IL}	Low-level input threshold voltage at EN, SCL, SDA and VSET/MODE				0.4	V
$I_{SCL,LKG}$	Input leakage current into SCL pin	$T_J = 25^\circ\text{C}$		0.01	0.2	μA
$I_{SDA,LKG}$	Input leakage current into SDA pin	$T_J = 25^\circ\text{C}$		0.01	0.1	μA
$I_{EN,LKG}$	Input leakage current into EN pin	$T_J = 25^\circ\text{C}$		0.01	0.1	μA
C_{SCL}	Parasitic capacitance at SCL			1		pF
C_{SDA}	Parasitic capacitance at SDA			2.4		pF
STARTUP, POWER GOOD						
t_{Delay}	Enable delay time, TPS6286Axx	Time from EN high to device starts switching 249k Ω resistor connected between VSET/MODE and GND	420	840	1200	μs
t_{Delay}	Enable delay time, TPS6286Bxx	Time from EN high to device starts switching	100	660	1000	μs
t_{Ramp}	Output voltage ramp time, TP6286A06	Time from device starts switching to power good (no external capacitor connected)	1	1.5	1.85	ms
t_{Ramp}	Output voltage ramp time, TP6286A08, TPS6286A10, TPS6286B08, TPS6286B10	Time from device starts switching to power good (no external capacitor connected)	0.4	0.55	0.72	ms
I_{SS}	SS pin source current			20		μA
$t_{PG,DLY}$	Power-good deglitch delay	Rising and falling edges		34		μs
V_{PG}	Power-good lower threshold	V_{OUT} referenced to V_{OUT} nominal	85	91	96	%
	Power-good upper threshold	V_{OUT} referenced to V_{OUT} nominal	103	111	120	%
$V_{PG,OL}$	Low-level output voltage	$I_{sink} = 1\text{mA}$			0.36	V
$I_{PG,LKG}$	Input leakage current into PG pin	$V_{PG} = 5.0\text{V}$, $T_J = 25^\circ\text{C}$		0.01	0.1	μA

6.5 Electrical Characteristics (continued)

$T_J = -40^{\circ}\text{C}$ to 125°C , and $V_{IN} = 2.4\text{V}$ to 5.5V . Typical values are at $T_J = 25^{\circ}\text{C}$ and $V_{IN} = 5\text{V}$, unless otherwise noted.

PARAMETER		TEST CONDITIONS	MIN	TYP	MAX	UNIT
OUTPUT						
V_{OUT}	Output voltage accuracy	Fixed voltage operation, FPWM, no load, $T_J = 25^{\circ}\text{C}$	-0.7		0.7	%
V_{OUT}	Output voltage accuracy	Fixed voltage operation, FPWM, no load	-1		1	%
V_{FB}	Feedback voltage	Adjustable voltage operation, $T_J = -40^{\circ}\text{C}$ to 125°C	594	600	606	mV
$I_{FB,LKG}$	Input leakage into FB pin	Adjustable voltage operation, $V_{FB} = 0.6\text{V}$, $T_J = 25^{\circ}\text{C}$		0.01	0.1	μA
R_{DIS}	Output discharge resistor at OUT pin			4.3		Ω
	Load regulation	$V_{OUT} = 0.9\text{V}$, FPWM		0.04		%/A
POWER SWITCH						
$R_{DS(on)}$	High-side FET on-resistance			8		m Ω
	Low-side FET on-resistance			8		m Ω
I_{LIM}	High-side FET forward current limit	TPS6286x06	7.3	8	9	A
I_{LIM}	High-side FET forward current limit	TPS6286x08	10	11	12	A
I_{LIM}	High-side FET forward current limit	TPS6286x10	13	14	15	A
I_{LIM}	Low-side FET forward current limit	TPS6286x06		6.5		A
I_{LIM}	Low-side FET forward current limit	TPS6286x08		9		A
I_{LIM}	Low-side FET forward current limit	TPS6286x10		12		A
I_{LIM}	Low-side FET negative current limit	TPS6286x06, TPS6286x08, TPS6286x10		-3		A
f_{SW}	PWM switching frequency	$I_{OUT} = 1\text{A}$, $V_{OUT} = 0.9\text{V}$		1.2		MHz

6.6 I²C Interface Timing Requirements

PARAMETER		TPS6286Bxx DEVICES TEST CONDITIONS	MIN	MAX	UNIT
$f_{(SCL)}$	SCL clock frequency	Standard mode		100	kHz
		Fast mode		400	kHz
		Fast mode plus		1	MHz
		High-speed mode (write operation), $C_B = 100\text{pF}$ max		3.4	MHz
		High-speed mode (read operation), $C_B = 100\text{pF}$ max		3.4	MHz
		High-speed mode (write operation), $C_B = 400\text{pF}$ max		1.7	MHz
		High-speed mode (read operation), $C_B = 400\text{pF}$ max		1.7	MHz
t_{BUF}	Bus free time between a STOP and START condition	Standard mode	4.7		μs
		Fast mode	1.3		μs
		Fast mode plus	0.5		μs
t_{HD}, t_{STA}	Hold time (repeated) START condition	Standard mode	4		μs
		Fast mode	600		ns
		Fast mode plus	260		ns
		High-speed mode	160		ns
t_{LOW}	LOW period of the SCL clock	Standard mode	4.7		μs
		Fast mode	1.3		μs
		Fast mode plus	0.5		μs
		High-speed mode, $C_B = 100\text{pF}$ max	160		ns
		High-speed mode, $C_B = 400\text{pF}$ max	320		ns

6.6 I²C Interface Timing Requirements (continued)

PARAMETER		TPS6286Bxx DEVICES TEST CONDITIONS	MIN	MAX	UNIT
t _{HIGH}	HIGH period of the SCL clock	Standard mode	4		μs
		Fast mode	600		ns
		Fast mode plus	260		ns
		High-speed mode, C _B – 100pF max	60		ns
		High-speed mode, C _B – 400pF max	120		ns
t _{SU} , t _{STA}	Setup time for a repeated START condition	Standard mode	4.7		μs
		Fast mode	600		ns
		Fast mode plus	260		ns
		High-speed mode	160		ns
t _{SU} , t _{DAT}	Data setup time	Standard mode	250		ns
		Fast mode	100		ns
		Fast mode plus	50		ns
		High-speed mode	10		ns
t _{HD} , t _{DAT}	Data hold time	Standard mode	0	3.45	μs
		Fast mode	0	0.9	μs
		Fast mode plus	0		μs
		High-speed mode, C _B – 100pF max	0	70	ns
		High-speed mode, C _B – 400pF max	0	150	ns
t _{RCL}	Rise time of SCL signal	Standard mode		1000	ns
		Fast mode	20 + 0.1 C _B	300	ns
		Fast mode plus		120	ns
		High-speed mode, C _B – 100pF max	10	40	ns
		High-speed mode, C _B – 400pF max	20	80	ns
t _{RCL1}	Rise time of SCL signal after a repeated START condition and after an acknowledge BIT	Standard mode	20 + 0.1 C _B	1000	ns
		Fast mode	20 + 0.1 C _B	300	ns
		Fast mode plus		120	ns
		High-speed mode, C _B – 100pF max	10	80	ns
		High-speed mode, C _B – 400pF max	20	160	ns
t _{FCL}	Fall time of SCL signal	Standard mode	20 + 0.1 C _B	300	ns
		Fast mode		300	ns
		Fast mode plus		120	ns
		High-speed mode, C _B – 100pF max	10	40	ns
		High-speed mode, C _B – 400pF max	20	80	ns
t _{RDA}	Rise time of SDA signal	Standard mode		1000	ns
		Fast mode	20 + 0.1 C _B	300	ns
		Fast mode plus		120	ns
		High-speed mode, C _B – 100pF max	10	80	ns
		High-speed mode, C _B – 400pF max	20	160	ns

6.6 I²C Interface Timing Requirements (continued)

PARAMETER		TPS6286Bxx DEVICES TEST CONDITIONS	MIN	MAX	UNIT
t _{FDA}	Fall time of SDA signal	Standard mode		300	ns
		Fast mode	20 + 0.1 C _B	300	ns
		Fast mode plus		120	ns
		High-speed mode, C _B – 100pF max	10	80	ns
		High-speed mode, C _B – 400pF max	20	160	ns
t _{SU} , t _{STO}	Setup time of STOP condition	Standard mode	4		μs
		Fast mode	600		ns
		Fast mode plus	260		ns
		High-Speed mode	160		ns
C _B	Capacitive load for SDA and SCL	Standard mode		400	pF
		Fast mode		400	pF
		Fast mode plus		550	pF
		High-Speed mode		400	pF

6.7 Typical Characteristics

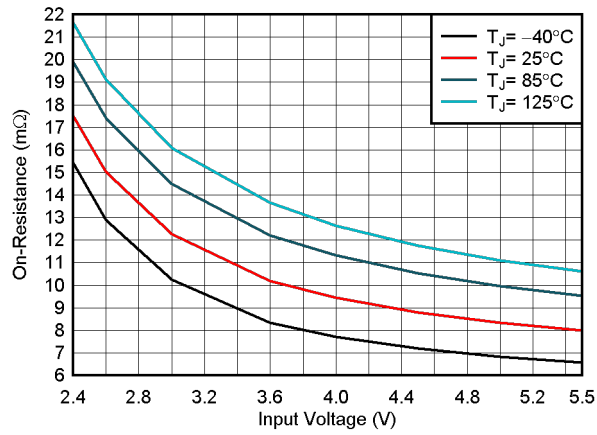


Figure 6-1. High-Side FET On-Resistance $R_{DS(on)}$

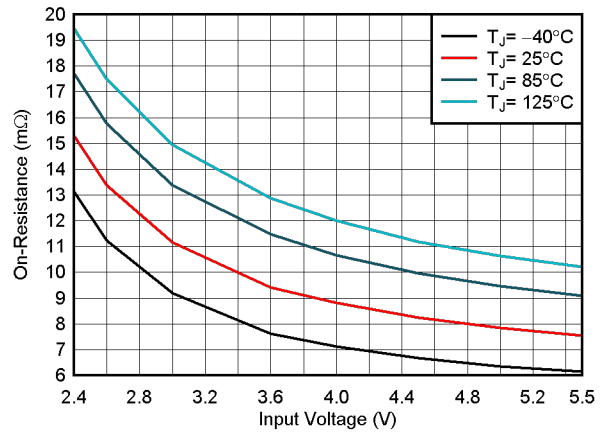


Figure 6-2. Low-Side FET On-Resistance $R_{DS(on)}$

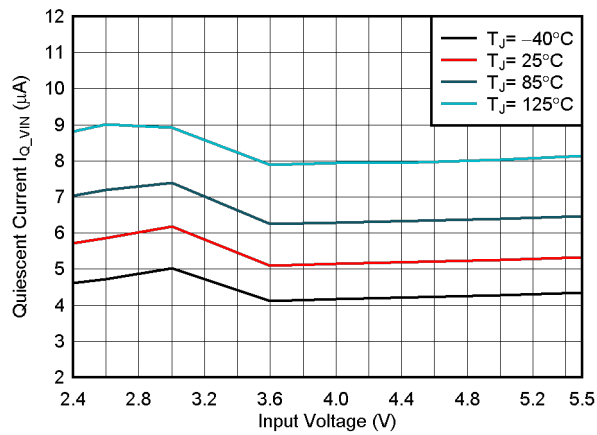


Figure 6-3. Quiescent Current into V_{IN} I_{Q_VIN}

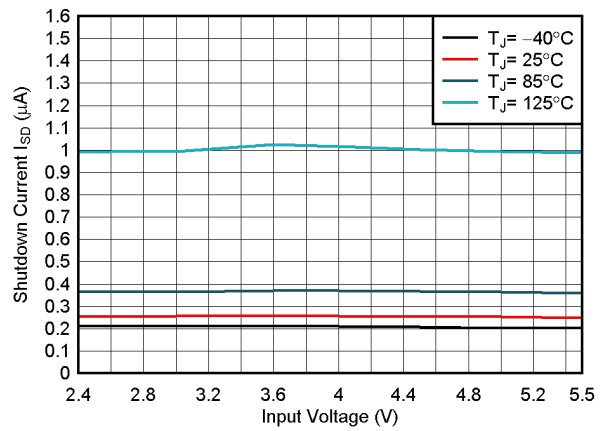


Figure 6-4. Shutdown Current I_{SD}

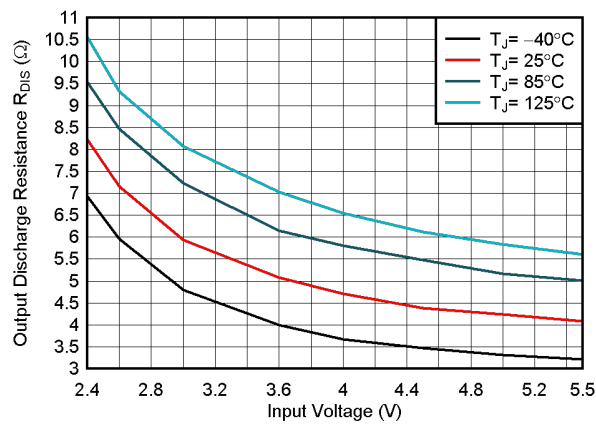


Figure 6-5. Output Discharge Resistance R_{DIS}

7 Detailed Description

7.1 Overview

The TPS6286Axx and TPS6286Bxx synchronous step-down converters use the DCS-Control (Direct Control with seamless transition into power save mode) topology. This topology is an advanced regulation topology that combines the advantages of hysteretic and current-mode control schemes.

The DCS-Control topology operates in PWM (pulse width modulation) mode for medium to heavy load conditions and in power save mode at light load currents. In PWM mode, the converter operates with the 1.2MHz nominal switching frequency, having a controlled frequency variation over the input voltage range. Because DCS-Control supports both PWM and PFM (Pulse Frequency Modulation) within a single building block, the transition from PWM mode to power save mode is seamless and does not affect on the output voltage. The devices offer both excellent DC voltage and load transient regulation combined with very low output voltage ripple.

7.2 Functional Block Diagram

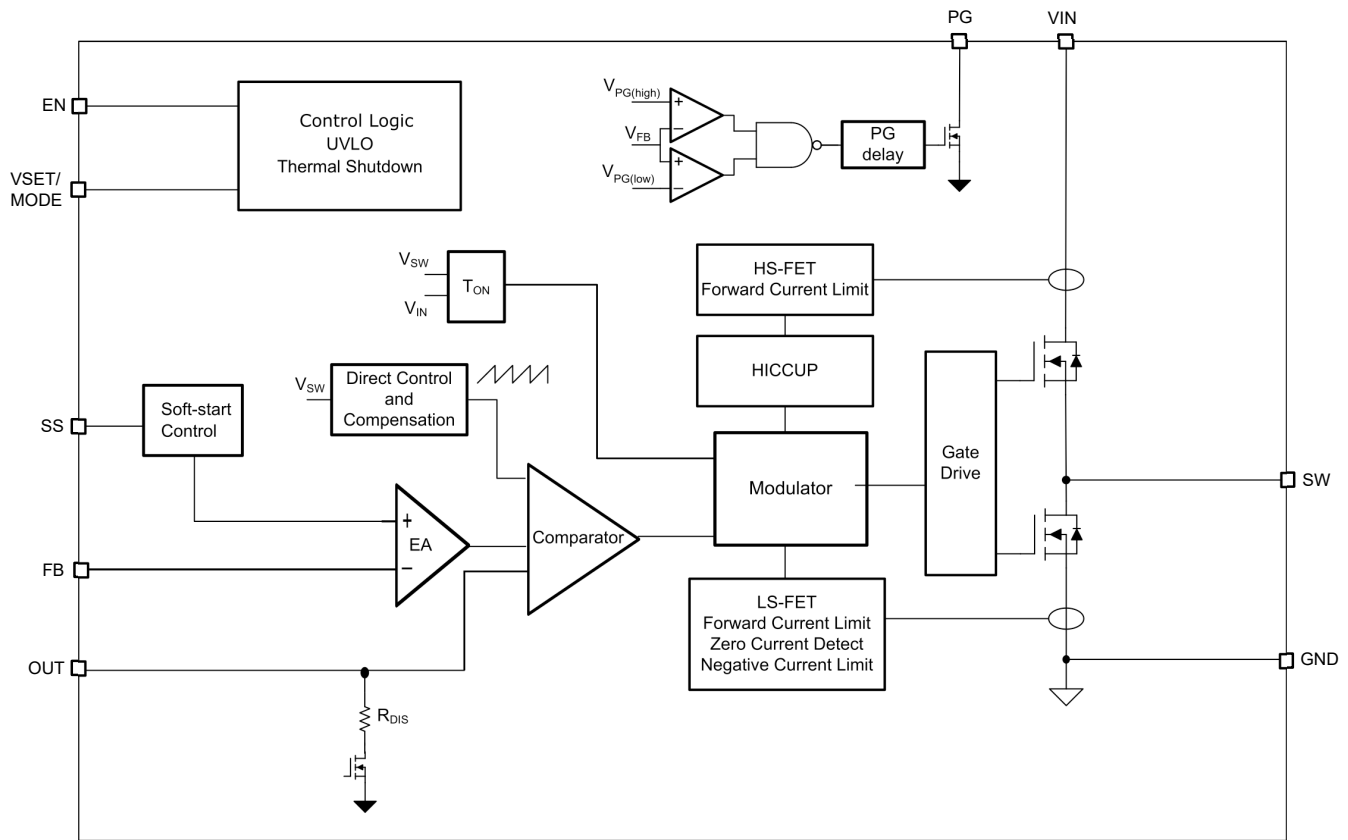


Figure 7-1. Functional Block Diagram - FB Version (TPS6286Axx)

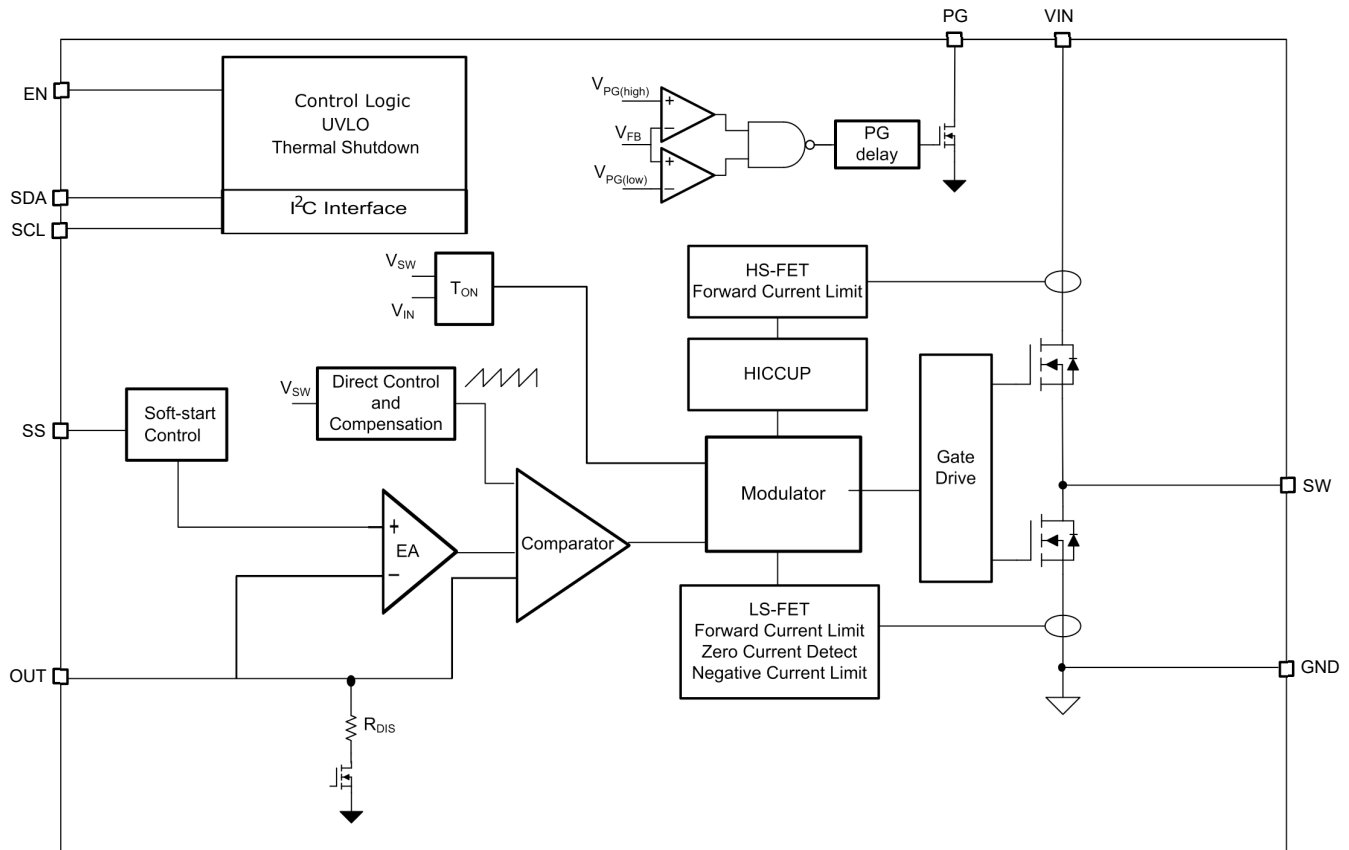


Figure 7-2. Functional Block Diagram - I²C Version (TPS6286Bxx)

7.3 Feature Description

7.3.1 Power Save Mode (PFM)

As the load current decreases, the device enters power save mode or pulse frequency modulation (PFM) operation. PFM occurs when the inductor current becomes discontinuous, which is when the inductor current reaches 0A during a switching cycle. Power save mode is based on a fixed on-time architecture, as shown in the following equation.

$$t_{ON} = \frac{V_{OUT}}{V_{IN}} \times 833\text{ns} \quad (1)$$

In power save mode, the output voltage rises slightly above the nominal output voltage. This effect is minimized by increasing the output capacitor or inductor value.

When V_{IN} decreases to typically 15% above V_{OUT} , the TP6286Axx and TPS6286Bxx does enter power save mode, regardless of the load current. The device maintains output regulation in PWM mode.

7.3.2 Forced PWM Mode

After the device has powered up and ramped up V_{OUT} , the VSET/MODE pin acts as a digital input. With a high level on the VSET/MODE pin, the device enters forced PWM (FPWM) mode and operates with a constant switching frequency over the entire load range, even at very light loads. This reduces the output voltage ripple and allows simple filtering of the switching frequency for noise-sensitive applications but lowers efficiency at light loads.

The TPS6286Bxx devices operate in FPWM mode by setting the Enable FPWM Mode bit in the CONTROL register.

7.3.3 Low Dropout Operation (100% Duty Cycle)

The device offers a low dropout operation by entering 100% duty cycle mode if the input voltage comes close to the target output voltage. In this mode, the high-side MOSFET switch is constantly turned on. This is particularly useful in battery-powered applications to achieve the longest operation time by taking full advantage of the whole battery voltage range. The minimum input voltage to maintain a minimum output voltage is given by:

$$V_{IN,MIN} = V_{OUT} + (R_{DS(ON)} + R_L)I_{OUT,MAX} \quad (2)$$

where

- $V_{IN,MIN}$ is the minimum input voltage to maintain an output voltage.
- $I_{OUT,MAX}$ is the maximum output current.
- $R_{DS(on)}$ is the high-side FET ON-resistance.
- R_L is the inductor ohmic resistance (DCR).

7.3.4 Soft Start

After enabling the device, there is an enable delay (t_{delay}) before the device starts switching. After the enable delay, if the SS pin is left not connected, an internal soft start-up circuitry controls the output voltage ramp up with a period of 1.5ms (t_{Ramp}) for TPS6286A06, and with 500us for TP6286A08, TPS6286A10, TPS6286B08, and TPS6286B10. Leaving the SS pin disconnected provides the fastest start-up ramp. Soft start avoids excessive inrush current and creates a smooth output voltage ramp up while also preventing excessive voltage drops of primary cells and rechargeable batteries with high internal impedance. An external soft-start capacitor connected from SS to GND is charged by an internal 20 μ A current source during soft start until reaching the reference voltage of 0.9V. The capacitance required to set a certain ramp-time (t_{RAMP}) therefore is:

$$C_{SS} = \frac{20\mu A \times t_{ramp}[ms]}{0.9V} \quad (3)$$

If the device is set to shutdown (EN = GND), undervoltage lockout, or thermal shutdown, an internal resistor pulls the SS pin to GND. Returning from those states causes a new start-up sequence.

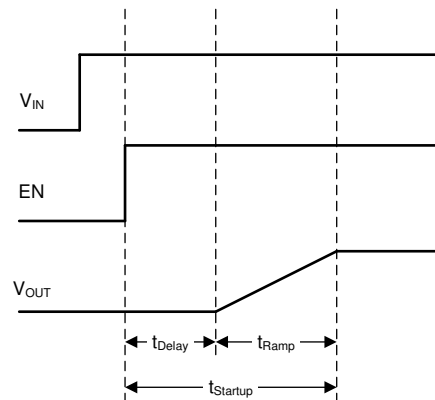


Figure 7-3. Start-Up Sequence

The device is able to start into a prebiased output capacitor. The device starts with the applied bias voltage and ramps the output voltage to the nominal value.

7.3.5 Switch Current Limit and HICCUP Short-Circuit Protection

The switch current limit prevents the device from high inductor current and from drawing excessive current from the battery or input voltage rail. Excessive current can occur with a shorted or saturated inductor or a heavy load or shorted output circuit condition. If the inductor current reaches the threshold I_{LIM} , cycle by cycle, the high-side MOSFET is turned off and the low-side MOSFET is turned on, the inductor current ramps down to the low-side MOSFET current limit.

When the high-side MOSFET current limit is triggered 32 times, the device stops switching. The device then automatically restarts with soft start after a typical delay time of 128 μ s has passed. HICCUP short-circuit protection repeats this mode until the high load condition disappears.

For the TPS6286Bxx devices, HICCUP short-circuit protection can be disabled by writing a 0 to the Enable HICCUP bit in the CONTROL register. Disabling HICCUP changes the overcurrent protection to latching protection. The device stops switching after the high-side MOSFET current limit is triggered 32 times. Toggling the EN pin, removing and reapplying the input voltage, or writing to the CONTROL register bit Software Enable Device unlatches the device.

7.3.6 Undervoltage Lockout

To avoid misoperation of the device at low input voltages, undervoltage lockout (UVLO) is implemented when the input voltage is lower than V_{UVLO} . The device stops switching and the output voltage discharge is active. When the input voltage recovers, the device automatically returns to operation with a soft start.

For TPS6286Bxx, the UVLO bit in the STATUS Register is set when the input voltage is less than the UVLO falling threshold. When the input voltage is below 1.8V (typical), all registers are reset.

7.3.7 Thermal Warning and Shutdown

When the junction temperature exceeds T_{JSD} , the device goes into thermal shutdown, stops switching, and activates the output voltage discharge. When the device temperature falls below the threshold by the hysteresis, the device returns to normal operation automatically with an internal soft start-up. During thermal shutdown, the internal register values are kept.

For TPS6286Bxx, when the junction temperature goes up to T_{JW} , the device gives a pre-warning indicator in the STATUS register. The device keeps running.

7.4 Device Functional Modes

7.4.1 Enable and Disable (EN)

The device is enabled by setting the EN pin to a logic high. In shutdown mode (EN = low), the internal power switches and the entire control circuitry are turned off. An internal switch smoothly discharges the output through the OUT pin in shutdown mode. Do not leave the EN pin floating.

7.4.2 Output Discharge

The purpose of the output discharge function is to make sure of a defined down-ramp of the output voltage when the device is disabled and to keep the output voltage close to 0V. The output discharge is active when the EN pin is pulled low, when the input voltage is below the UVLO threshold, or during thermal shutdown. The discharge is active down to an input voltage of 1.6V (typical).

7.4.3 Power Good (PG)

The device has an open-drain power-good pin, which is specified to sink up to 1mA. The power-good output requires a pullup resistor connecting to any voltage rail less than 5.5V. The PG has a deglitch delay of 34 μ s.

The PG signal can be used for sequencing of multiple rails by connecting the PG signal to the EN pin of other converters. Leave the PG pin unconnected when not used.

Table 7-1. PG Function Table

	DEVICE CONDITIONS	PG PIN
Enable	$0.9 \times V_{OUT_NOM} \leq V_{OUT} \leq 1.1 \times V_{OUT_NOM}$	Hi-Z
	$V_{OUT} < 0.9 \times V_{OUT_NOM}$ or $V_{OUT} > 1.1 \times V_{OUT_NOM}$	Low
Shutdown	EN = low	Low
Thermal shutdown	$T_J > T_{JSD}$	Low
UVLO	$1.8V < V_{IN} < V_{UVLO}$	Low
Power supply removal	$V_{IN} < 1.8V$	Undefined

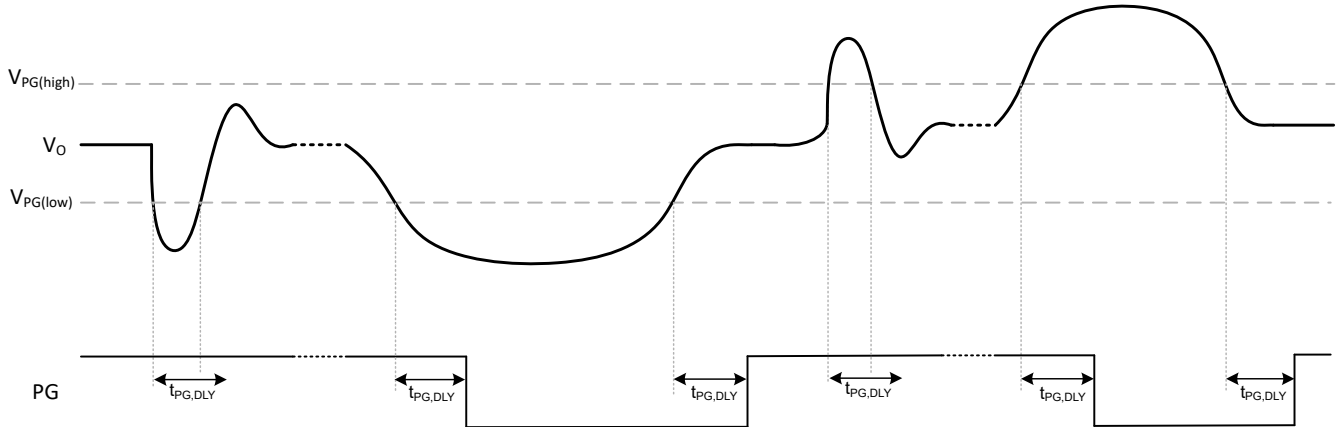


Figure 7-4. Power-Good Transient and Delay Behavior

7.4.4 Voltage Setting and Mode Selection (VSET/MODE), TPS6286Axx Devices

The TPS6286Axx devices are configurable as either an adjustable output voltage or a fixed output voltage, depending on the needs of each individual application. This feature simplifies the logistics during mass production, as one part number offers several fixed output voltage options as well as an adjustable output voltage option.

During the enable delay (t_{Delay}), the device configuration is set by an external resistor connected to the VSET/MODE pin through an internal R2D (resistor to digital) converter. Table 7-2 shows the options. This configures the positive input to the error amplifier (EA) to be either the VFB voltage (0.6V typical) or the selected output voltage.

Table 7-2. Voltage Selection Table

RESISTOR (E96 SERIES, $\pm 1\%$ ACCURACY) AT VSET/MODE PIN, 200ppm/ $^{\circ}$ C OR BETTER	FIXED OR ADJUSTABLE OUTPUT VOLTAGE
249k Ω or logic high	Adjustable (through a resistive divider on the FB pin)
205k Ω	1.60V
162k Ω	1.50V
133k Ω	1.35V
105k Ω	1.20V
86.6k Ω	Reserved
68.1k Ω	1.00V
56.2k Ω	0.90V
44.2k Ω	0.85V
36.5k Ω	0.80V
28.7k Ω	0.70V
23.7k Ω	0.60V
18.7k Ω	0.50V
15.4k Ω	0.45V
12.1k Ω	0.40V
10k Ω or logic low	Adjustable (through a resistive divider on the FB pin)

The R2D converter has an internal current source that applies current through the external resistor and an internal ADC that reads back the resulting voltage level. Depending on the level, the output voltage is set. After this R2D conversion is finished, the current source is turned off to avoid current flowing through the external resistor. Make sure that the additional leakage current path is less than 20nA and the capacitance is less than

30pF from this pin to GND during R2D conversion. Otherwise, a false value is set. For more details, refer to [Benefits of a Resistor-to-Digital Converter in Ultra-Low Power Supplies white paper](#).

When the device is set as a fixed output voltage converter, then FB pin must be connected to the output directly. Refer to [Figure 7-5](#).

After the start-up period ($t_{Startup}$), a different operation mode can be selected. When VSET/MODE is high, the device operates in forced PWM mode. Otherwise, the VSET/MODE resistor pulls the pin low and the device operates in power save mode.

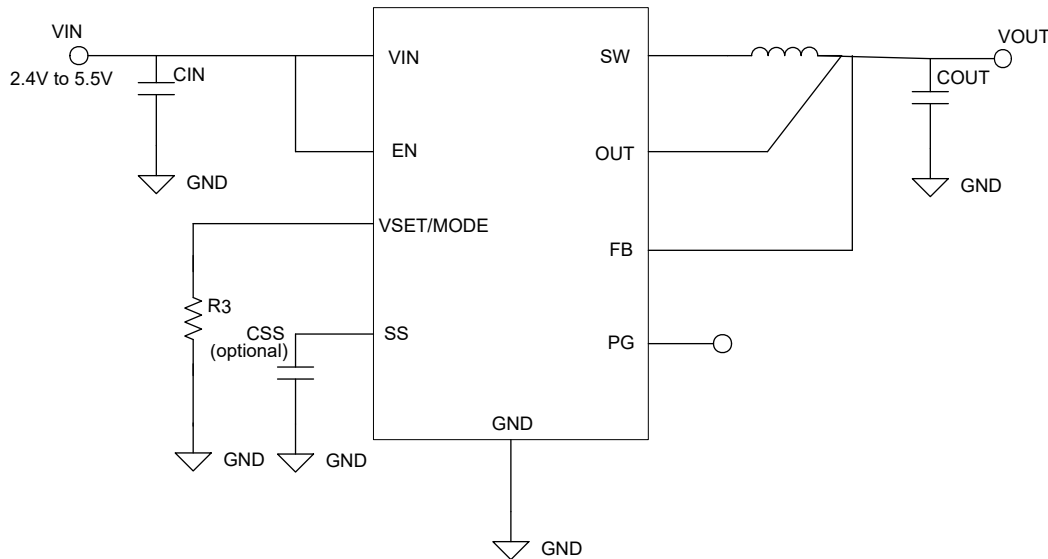


Figure 7-5. TPS6286Axx Typical Application - Fixed Output Voltage

7.4.5 Start-Up Output Voltage for TPS6286Bxx Devices

The start-up output voltage and I²C target address of the TPS6286Bxx devices are factory-set according to the following table.

Table 7-3. Device Option Start-Up Voltage and I²C Target Address

DEVICE OPTION	START-UP OUTPUT VOLTAGE	I ² C TARGET ADDRESS
TPS6286B08VBMR	0.9V	0x42
TPS6286B10VBMR	0.9V	0x42

7.5 Programming

7.5.1 Serial Interface Description

I²C is a 2-wire serial interface developed by Philips Semiconductor, now NXP Semiconductors. The bus consists of a data line (SDA) and a clock line (SCL) with pullup structures. When the bus is *idle*, both SDA and SCL lines are pulled high. All the I²C-compatible devices connect to the I²C bus through open drain I/O pins, SDA and SCL. A *controller* device, usually a microcontroller or a digital signal processor, controls the bus. The controller is responsible for generating the SCL signal and device addresses. The controller also generates specific conditions that indicate the START and STOP of data transfer. A *target* device receives or transmits data on the bus under control of the controller device, or both.

The device works as a *target* and supports the following data transfer *modes*, as defined in the I²C-Bus Specification: standard mode (100kbps) and fast mode (400kbps), fast mode plus (1Mbps), and high-speed mode (3.4Mbps). The interface adds flexibility to the power supply design, enabling most functions to be programmed to new values depending on the instantaneous application requirements. Register contents remain intact as long as the input voltage remains above 1.8V.

The data transfer protocol for standard and fast modes is exactly the same, therefore, the modes are referred to as F/S mode in this document. The protocol for high speed mode is different from F/S mode, and the mode referred to as HS mode.

TI recommends that the I²C controller initiates a STOP condition on the I²C bus after the initial power up of SDA and SCL pullup voltages to make sure of a reset of the I²C engine.

7.5.2 Standard-, Fast-, and Fast-Mode Plus Protocol

The controller initiates data transfer by generating a start condition. The start condition is when a high-to-low transition occurs on the SDA line while SCL is high, as shown in Figure 7-6. All I²C-compatible devices recognize a start condition.

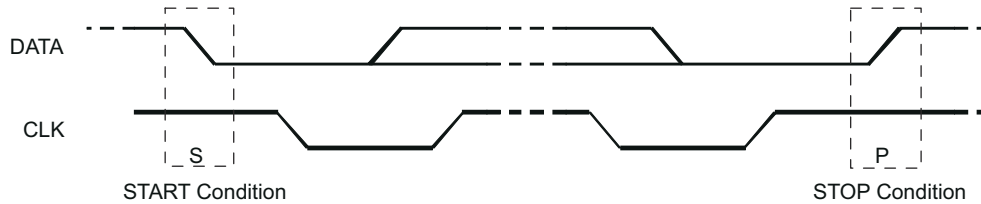


Figure 7-6. START and STOP Conditions

The controller then generates the SCL pulses and transmits the 7-bit address and the read, write direction bit R/\bar{W} on the SDA line. During all transmissions, the controller makes sure that data is valid. A valid data condition requires the SDA line to be stable during the entire high period of the clock pulse (see Figure 7-7). All devices recognize the address sent by the controller and compare to the internal fixed addresses. Only the target device with a matching address generates an acknowledge (see Figure 7-8) by pulling the SDA line low during the entire high period of the ninth SCL cycle. Upon detecting this acknowledge, the controller knows that communication link with a target has been established.

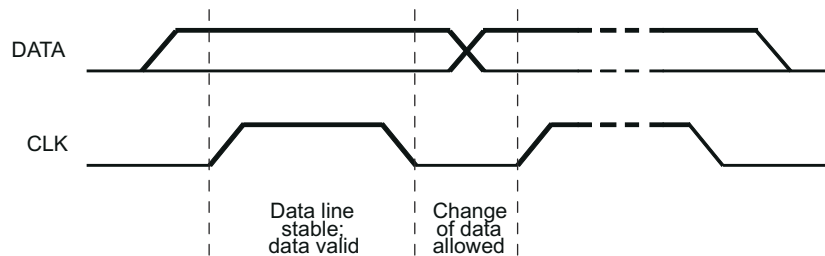


Figure 7-7. Bit Transfer on the Serial Interface

The controller generates further SCL cycles to either transmit data to the target (R/\bar{W} bit 0) or receive data from the target (R/\bar{W} bit 1). In either case, the receiver needs to acknowledge the data sent by the transmitter. So an acknowledge signal can either be generated by the controller or by the target, depending on which one is the receiver. 9-bit valid data sequences consisting of 8-bit data and 1-bit acknowledge can continue as long as necessary.

To signal the end of the data transfer, the controller generates a stop condition by pulling the SDA line from low to high while the SCL line is high (see Figure 7-6). This action releases the bus and stops the communication link with the addressed target. All I²C compatible devices must recognize the stop condition. Upon the receipt of a stop condition, all devices know that the bus is released, and the devices wait for a start condition followed by a matching address.

Attempting to read data from register addresses not listed in this section results in 0x00 being read out.

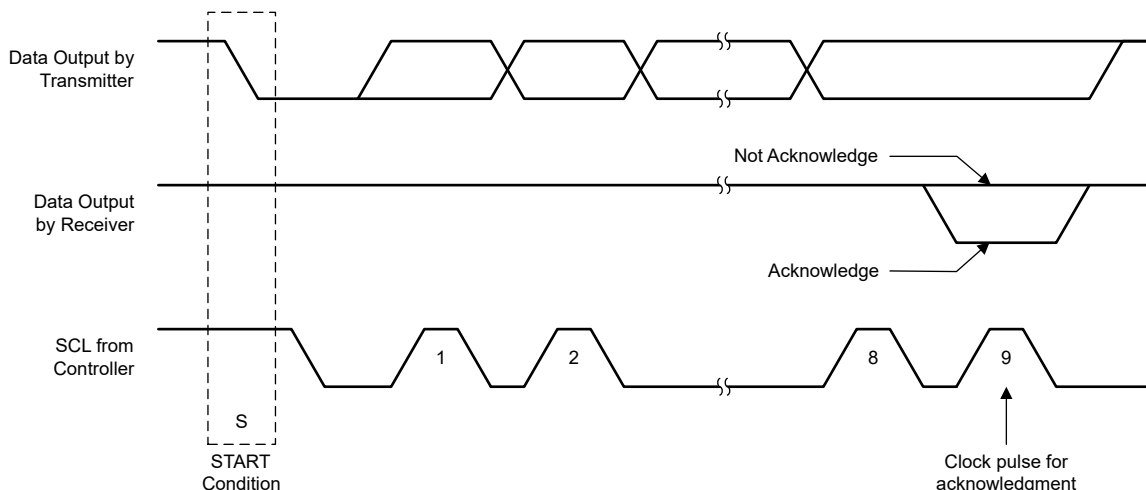


Figure 7-8. Acknowledge on the I²C Bus

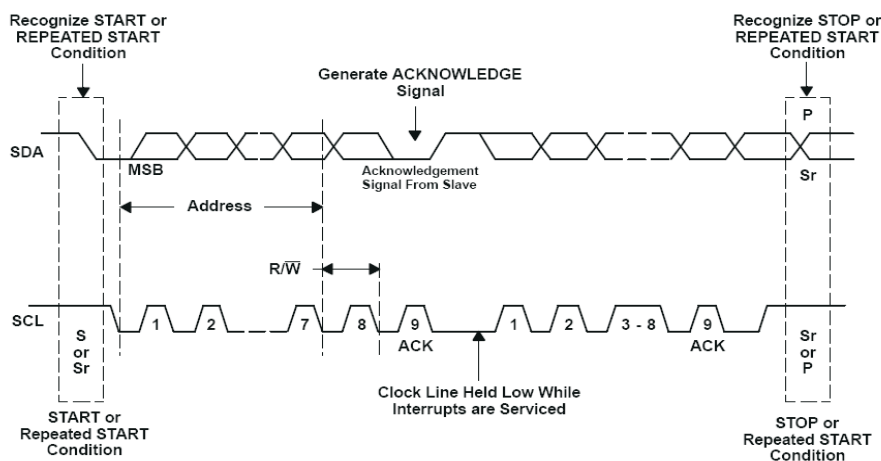


Figure 7-9. Bus Protocol

7.5.3 HS Mode Protocol

The controller generates a start condition followed by a valid serial byte containing HS controller code 00001XXX. This transmission is made in F/S-mode at no more than 400kbps. No device is allowed to acknowledge the HS controller code, but all devices must recognize the HS controller code and switch the internal setting to support 3.4Mbps operation.

The controller then generates a *repeated start condition* (a repeated start condition has the same timing as the start condition). After this repeated start condition, the protocol is the same as F/S-mode, except that transmission speeds up to 3.4Mbps are allowed. A stop condition ends the HS mode and switches all the internal settings of the target devices to support the F/S mode. Instead of using a stop condition, repeated start conditions must be used to secure the bus in HS-mode.

Attempting to read data from register addresses not listed in this section results in 0x00 being read out.

7.5.4 I²C Update Sequence

The sequence requires a start condition, a valid I²C target address, a register address byte, and a data byte for a single update. After the receipt of each byte, the device acknowledges by pulling the SDA line low during the high period of a single clock pulse. A valid I²C address selects the device. The device performs an update on the falling edge of the acknowledge signal that follows the LSB byte.

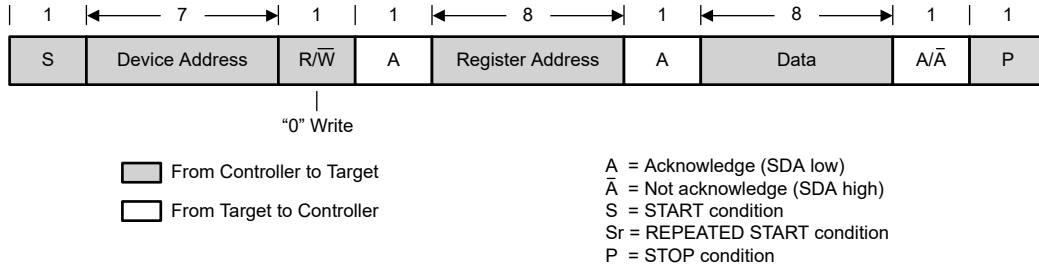


Figure 7-10. “Write” Data Transfer Format in Standard-, Fast, and Fast-Plus Modes

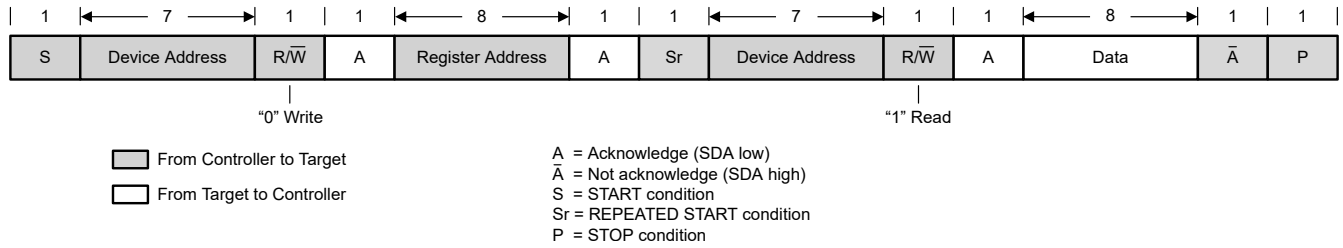


Figure 7-11. “Read” Data Transfer Format in Standard-, Fast, and Fast-Plus Modes

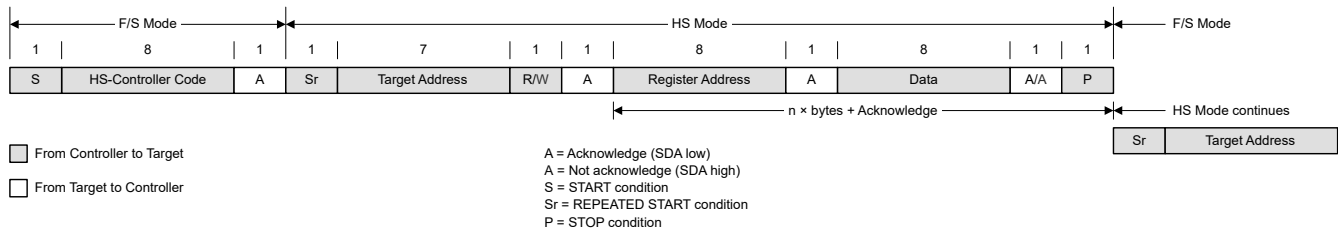


Figure 7-12. Data Transfer Format in HS-Mode

7.5.5 I²C Register Reset

The I²C registers can be reset by:

- Pulling the input voltage below 1.8V (typical)
- A high to low transition on EN
- Setting the Reset bit in the CONTROL register. When Reset is set to 1, all registers are reset to the default values and a new start-up is begun immediately. After t_{Delay} , the I²C registers can be programmed again.

8 Register Map

Table 8-1. Register Map

REGISTER ADDRESS (HEX)	REGISTER NAME	FACTORY DEFAULT (HEX)	DESCRIPTION
0x01	V _{OUT} Register	0x64	Sets the target output voltage
0x03	CONTROL Register	0x6F	Sets miscellaneous configuration bits
0x05	STATUS Register	0x00	Returns status flags

8.1 Target Address Byte

7	6	5	4	3	2	1	0
1	x	x	x	x	x	x	R/W

The target address byte (0x42h) is the first byte received following the START condition from the controller device.

8.2 Register Address Byte

7	6	5	4	3	2	1	0
0	0	0	0	0	D2	D1	D0

Following the successful acknowledgment of the target address, the bus controller sends a byte to the device, which contains the address of the register to be accessed.

8.3 V_{OUT} Register

Table 8-2. V_{OUT} Register Description

REGISTER ADDRESS 0X01 READ/WRITE			
BIT	FIELD	VALUE (HEX)	OUTPUT VOLTAGE (TYPICAL)
7:0	VO1_SET	0x00	400mV
		0x01	405mV
		...	
		0x64	900mV (Default value)
		...	
		0xFE	1670mV
		0xFF	1675mV

8.4 CONTROL Register

Table 8-3. CONTROL Register Description

REGISTER ADDRESS 0X03 READ/WRITE				
BIT	FIELD	TYPE	DEFAULT	DESCRIPTION
7	Reset	R/W	0	1 - Reset all registers to default.
6	Enable FPWM Mode during Output Voltage Change	R/W	1	0 - Keep the current mode status during output voltage change 1 - Force the device in FPWM during output voltage change.
5	Software Enable Device	R/W	1	0 - Disable the device. All registers values are still kept. 1 - Re-enable the device with a new start-up without the t_{Delay} period.
4	Enable FPWM Mode	R/W	0	0 - Set the device in power save mode at light loads. 1 - Set the device in forced PWM mode at light loads.
3	Enable Output Discharge	R/W	1	0 - Disable output discharge. 1 - Enable output discharge.
2	Enable HICCUP	R/W	1	0 - Disable HICCUP. Enable latching protection. 1 - Enable HICCUP. Disable latching protection.
0:1	Voltage Ramp Speed	R/W	11	00 - 20mV/ μ s (0.25 μ s/step) 01 - 10mV/ μ s (0.5 μ s/step) 10 - 5mV/ μ s (1 μ s/step) 11 - 1mV/ μ s (5 μ s/step, default)

8.5 STATUS Register

Table 8-4. STATUS Register Description

REGISTER ADDRESS 0X05 READ ONLY ⁽¹⁾				
BIT	FIELD	TYPE	DEFAULT	DESCRIPTION
7:5	Reserved			
4	Thermal Warning	R	0	1: Junction temperature is higher than 130°C.
3	HICCUP	R	0	1: Device has HICCUP status once.
2	Reserved			
1	Reserved			
0	UVLO	R	0	1: The input voltage is less than UVLO threshold (falling edge).

- (1) All bit values are latched until the device is reset, or the STATUS register is read. Then, the STATUS register is reset to the default values.

9 Application and Implementation

Note

Information in the following applications sections is not part of the TI component specification, and TI does not warrant its accuracy or completeness. TI's customers are responsible for determining suitability of components for their purposes, as well as validating and testing their design implementation to confirm system functionality.

9.1 Application Information

The following section discusses the design of the external components to complete the power supply design for several input and output voltage options by using typical applications as a reference.

9.2 Typical Application

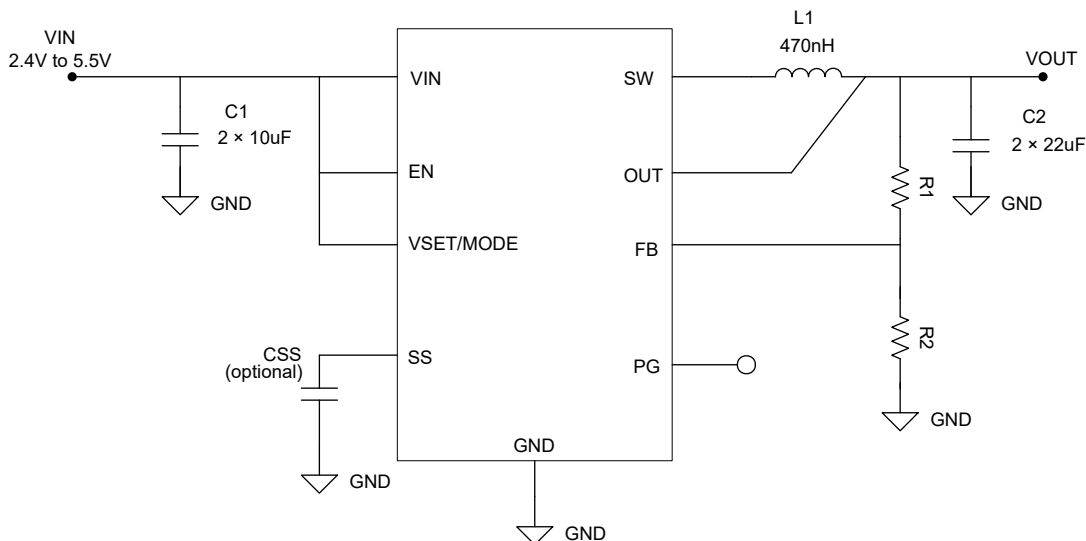


Figure 9-1. Typical Application Circuit - TPS6286A06

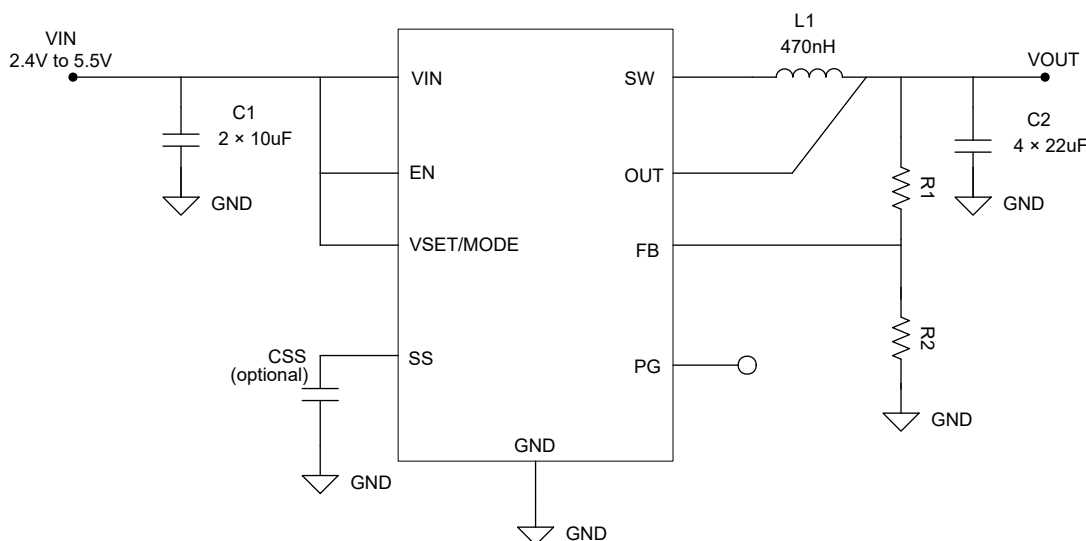


Figure 9-2. Typical Application Circuit - TPS6286A10

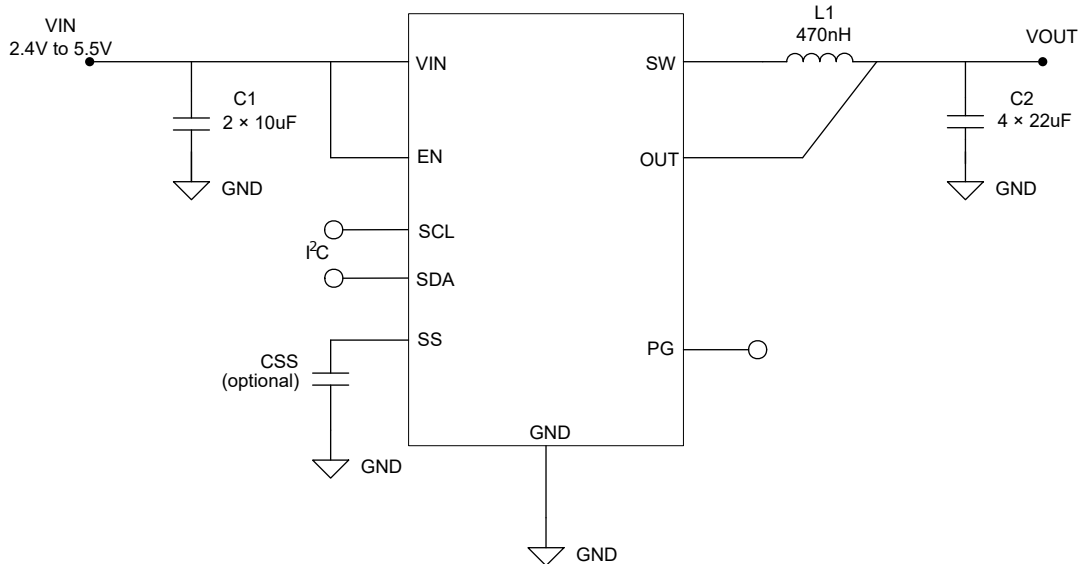


Figure 9-3. Typical Application Circuit - TPS6286B10

9.2.1 Design Requirements

For this design example, use the parameters listed in [Table 9-1](#) as the input parameters.

Table 9-1. Design Parameters

DESIGN PARAMETER	EXAMPLE VALUE
Input voltage	2.4V to 5.5V
Output voltage	1.2V
Maximum output current	10A

[Table 9-2](#) lists the components used for the example.

Table 9-2. List of Components

REFERENCE	DESCRIPTION	MANUFACTURER ⁽¹⁾
C1	CAP, CERM, 10uF, 10V, +/- 10%, X7R, 0805, GCM21BR71A106KE22L	MURATA
C2	CAP, CERM, 22uF, 10V, +/- 20%, X7R, 0805, GRM21BZ71A226ME15L	MURATA
L1	470 nH Shielded Molded Inductor 15.7A 3.7mOhm, XGL5020-471MEC	Coilcraft
CSS	Open	Any
R1	100kΩ, chip resistor, 1/16 W, 1%, size 0402	Std
R2	100kΩ, chip resistor, 1/16 W, 1%, size 0402	Std

(1) See the *Third-Party Products* disclaimer.

9.2.2 Detailed Design Procedure

9.2.2.1 Custom Design With WEBENCH® Tools

[Click here](#) to create a custom design using the TPS6286A10, TPS6286A08 and TPS6286A06 devices with the WEBENCH® Power Designer.

[Click here](#) to create a custom design using the TPS6286B10 and TPS6286B08 device with the WEBENCH Power Designer.

1. Start by entering the input voltage (V_{IN}), output voltage (V_{OUT}), and output current (I_{OUT}) requirements.
2. Optimize the design for key parameters such as efficiency, footprint, and cost using the optimizer dial.
3. Compare the generated design with other possible solutions from Texas Instruments.

The WEBENCH Power Designer provides a customized schematic along with a list of materials with real-time pricing and component availability.

In most cases, these actions are available:

- Run electrical simulations to see important waveforms and circuit performance
- Run thermal simulations to understand board thermal performance
- Export customized schematic and layout into popular CAD formats
- Print PDF reports for the design, and share the design with colleagues

Get more information about WEBENCH tools at www.ti.com/WEBENCH.

9.2.2.2 Setting the Output Voltage

With the VSET/MODE pin set high or low, an adjustable output voltage is set by an external resistor divider according to [Equation 4](#):

$$R_1 = R_2 \times \left(\frac{V_{OUT}}{V_{FB}} - 1 \right) = R_2 \times \left(\frac{V_{OUT}}{0.6V} - 1 \right) \quad (4)$$

To keep the feedback (FB) net robust from noise, set R2 equal to or lower than 100kΩ to have at least 6μA of current in the voltage divider. Lower values of FB resistors achieve better noise immunity but lower light-load efficiency, as explained in the [Design Considerations for a Resistive Feedback Divider in a DC/DC Converter technical brief](#).

When a fixed output voltage is selected, connect the FB pin directly to the output. R1 and R2 are not needed, as V_{OUT} is set through a resistor on the VSET/MODE pin. Select the recommended resistor value from the list in [Table 7-2](#).

9.2.2.3 Output Filter Design

The inductor and the output capacitor together provide a low-pass filter. To simplify this process, [Table 9-3](#) and [Table 9-4](#) outlines possible inductor and capacitor value combinations for most applications. Checked cells represent combinations that are proven for stability by simulation and lab testing. Further combinations must be checked for each individual application.

Table 9-3. Matrix of Output Capacitor and Inductor Combinations for TPS6286A06

NOMINAL L [μH] ⁽²⁾	NOMINAL C _{OUT} [μF] ⁽³⁾		
	2 × 22 or 47	3 × 22	150
0.47	+(1)	+(4)	+

- (1) This LC combination is the standard value and recommended for most applications.
- (2) Inductor tolerance and current derating is anticipated. The effective inductance can vary by 20% and –30%.
- (3) Capacitance tolerance and bias voltage derating is anticipated. The effective capacitance can vary from 30μF up to 200μF.
- (4) TI recommends this LC combination for V_{OUT}>1.6V

Table 9-4. Matrix of Output Capacitor and Inductor Combinations for TPS6286A08, TPS6286A10, TPS6286B08, and TPS6286B10

NOMINAL L [μH] ⁽²⁾	NOMINAL C _{OUT} [μF] ⁽³⁾		
	4 × 22 or 2 × 47	3 × 47	150
0.47	+(1)	+	+

- (1) This LC combination is the standard value and recommended for most applications.
- (2) Inductor tolerance and current derating is anticipated. The effective inductance can vary by 20% and –30%.
- (3) Capacitance tolerance and bias voltage derating is anticipated. The effective capacitance can vary from 55μF up to 200μF.

9.2.2.4 Inductor Selection

The main parameter for the inductor selection is the inductor value, then the saturation current of the inductor. To calculate the maximum inductor current under static load conditions, the following equations are given.

$$I_{L,MAX} = I_{OUT,MAX} + \frac{\Delta I_L}{2} \quad (5)$$

$$\Delta I_L = V_{OUT} \left(\frac{1 - \frac{V_{OUT}}{V_{IN}}}{L \times f_{SW}} \right) \quad (6)$$

where

- $I_{OUT,MAX}$ is the maximum output current
- ΔI_L is the inductor current ripple
- f_{SW} is the switching frequency
- L is the inductor value

TI recommends to choose a saturation current for the inductor that is approximately 20% to 30% higher than $I_{L,MAX}$. In addition, DC resistance and size must also be taken into account when selecting an appropriate inductor. [Table 9-5](#) lists recommended inductors.

Table 9-5. List of Recommended Inductors

INDUCTANCE [μ H] ⁽¹⁾	CURRENT RATING [A]	DIMENSIONS [L × W × H mm]	DC RESISTANCE [m Ω]	PART NUMBER
0.47	15.7	5.48 × 5.28 × 2	3.7	Coilcraft, XGL5020-471ME
0.47	17.1	4.3 × 4.3 × 3	3.9	Wuerth Elektronik, 744393240047
0.47	13.4	4 × 4 × 2	4.2	Coilcraft, XGL4020-471ME
0.47	12.7	4.1 × 4.1 × 2	7	Wuerth Elektronik, 744383560047HT

(1) See the *Third-Party Products* disclaimer.

9.2.2.5 Capacitor Selection

The input capacitor is the low-impedance energy source for the converters, which helps to provide stable operation. TI recommends a low-ESR multilayer ceramic capacitor for the best filtering and must be placed between VIN and GND as close as possible to those pins. For most applications, 10 μ F of *effective*¹ capacitance is sufficient, however, a larger value reduces input current ripple.

The architecture of the device allows the use of tiny ceramic output capacitors with low equivalent series resistance (ESR). These capacitors provide low output voltage ripple and are recommended. To keep the low resistance up to high frequencies and to get narrow capacitance variation with temperature, TI recommends using X7R or X5R dielectrics. For operations up to 6A output current, the recommended typical output capacitor value is 30 μ F of *effective* capacitance. For operations up to 10A output current, the recommended typical output capacitor value is 55 μ F of *effective* capacitance. Values over 200 μ F can degrade the loop stability of the converter.

¹ The effective capacitance is the capacitance after tolerance, temperature, and DC bias effects have been considered.

9.2.3 Application Curves

$V_{IN} = 5.0V$, $V_{OUT} = 1.2V$, $T_A = 25^\circ C$, BOM = [Table 9-2](#), unless otherwise noted. Solid lines show the FPWM mode and dashed lines show PFM.

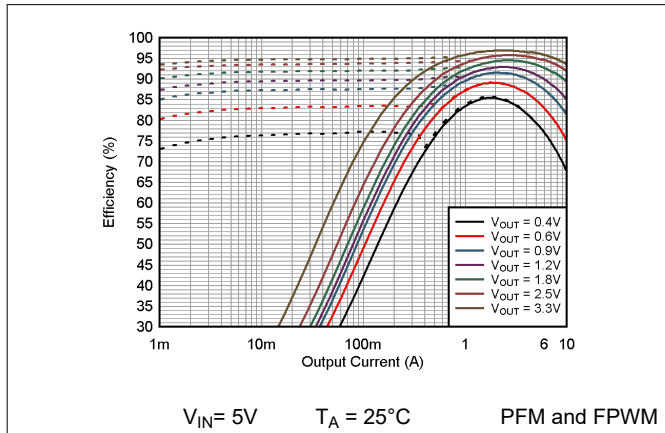


Figure 9-4. Efficiency vs Output Current

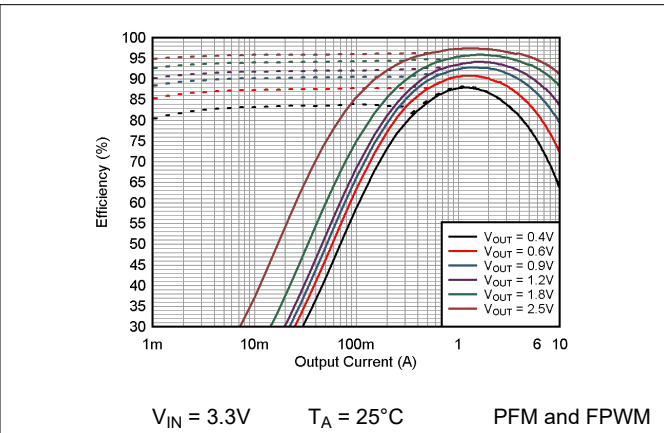


Figure 9-5. Efficiency vs Output Current

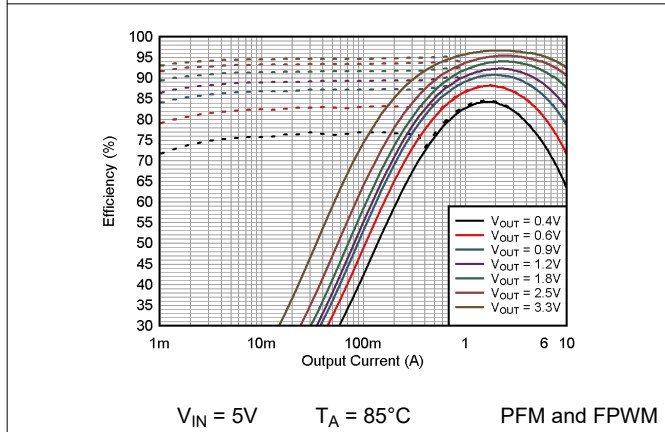


Figure 9-6. Efficiency vs Output Current

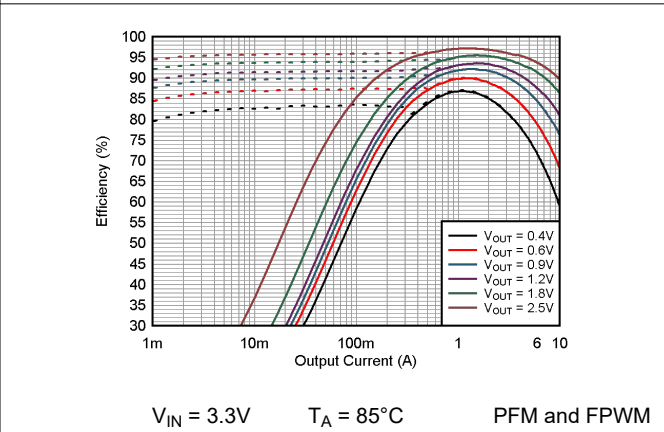


Figure 9-7. Efficiency vs Output Current

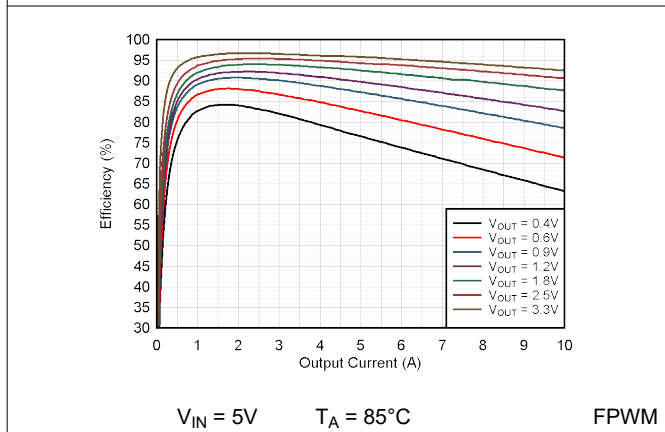


Figure 9-8. Efficiency vs Output Current

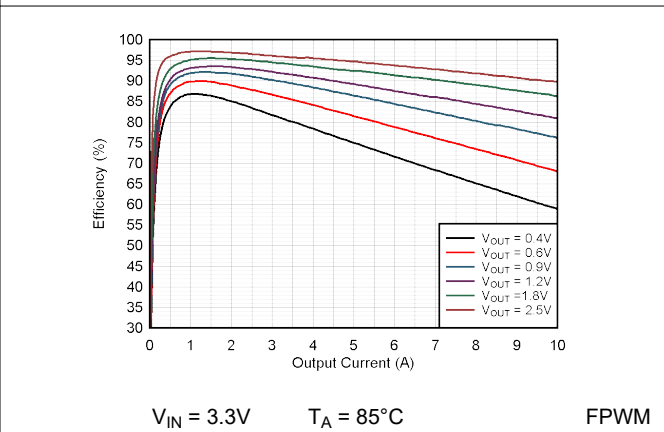
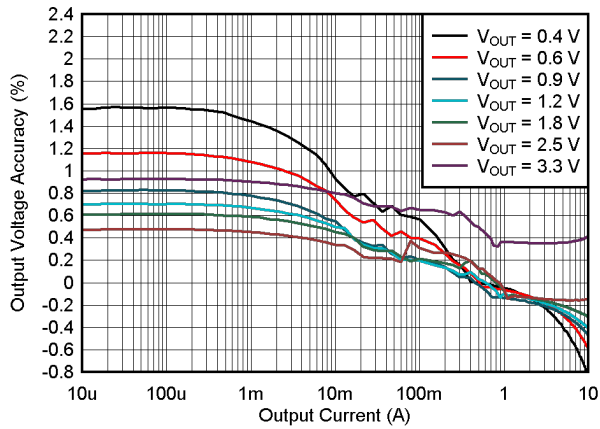
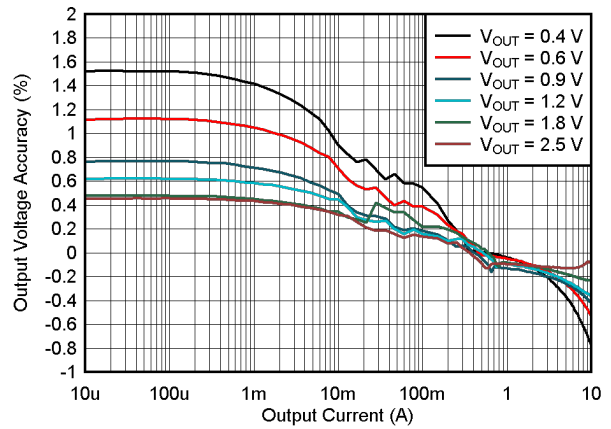


Figure 9-9. Efficiency vs Output Current



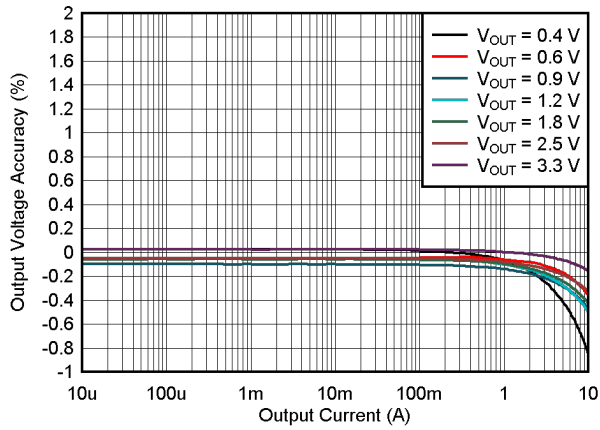
$V_{IN} = 5V$ $T_A = 25^\circ C$ PFM

Figure 9-10. Load Regulation



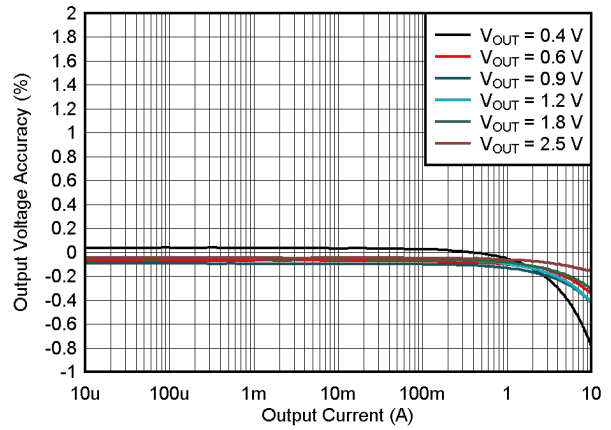
$V_{IN} = 3.3V$ $T_A = 25^\circ C$ PFM

Figure 9-11. Load Regulation



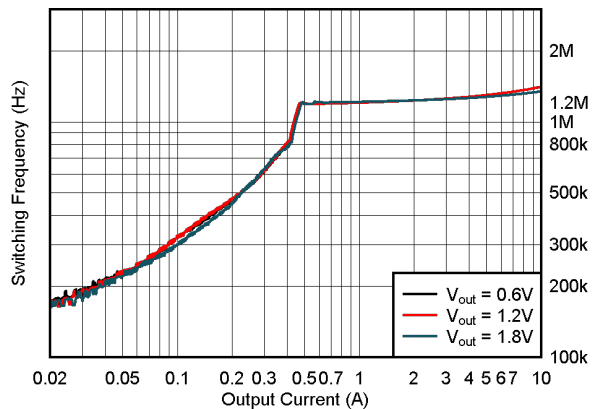
$V_{IN} = 5V$ $T_A = 25^\circ C$ FPWM

Figure 9-12. Load Regulation



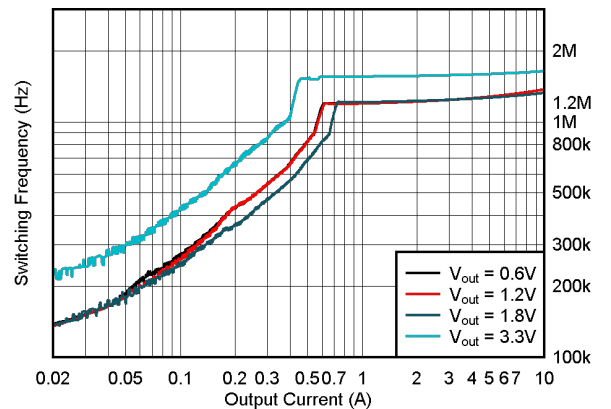
$V_{IN} = 3.3V$ $T_A = 25^\circ C$ FPWM

Figure 9-13. Load Regulation



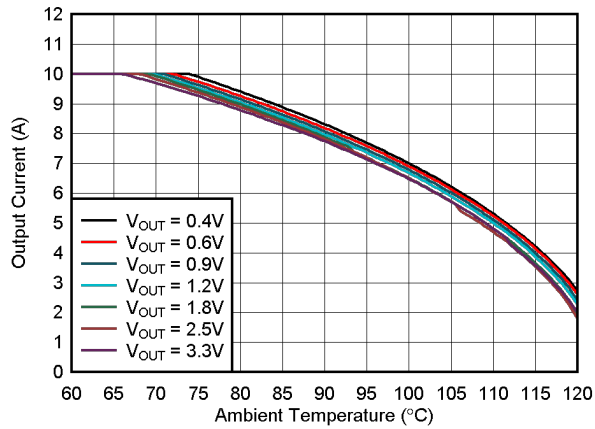
$V_{IN} = 3.3V$ $T_A = 25^\circ C$ PFM

Figure 9-14. Switching Frequency



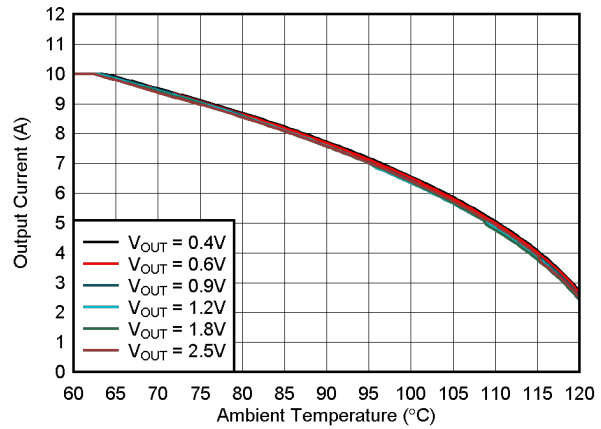
$V_{IN} = 5.0V$ $T_A = 25^\circ C$ PFM

Figure 9-15. Switching Frequency



$V_{IN} = 5.0V$ $R_{\theta JA} = 43.2^{\circ}C/W$ $T_{jMAX} = 125^{\circ}C$

Figure 9-16. Safe Operating Area



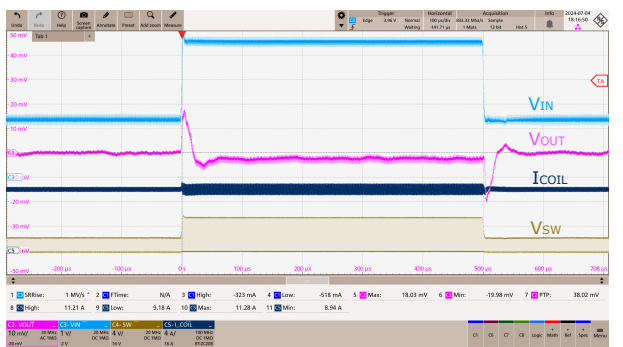
$V_{IN} = 3.3V$ $R_{\theta JA} = 43.2^{\circ}C/W$ $T_{jMAX} = 125^{\circ}C$

Figure 9-17. Safe Operating Area



$V_{IN} = 2.4V$ to $5.5V$ $V_{OUT} = 1.2V$ Load = 10mA
to 2.4V in 1V/us

Figure 9-18. Line Regulation



$V_{IN} = 2.4V$ to $5.5V$ $V_{OUT} = 1.2V$ Load = 10A
to 2.4V in 1V/us

Figure 9-19. Line Regulation



$V_{IN} = 5.0V$ BOM = $2 \times 22\mu F$
 $V_{OUT} = 1.2V$ PFM, No Load

Figure 9-20. PFM Operation



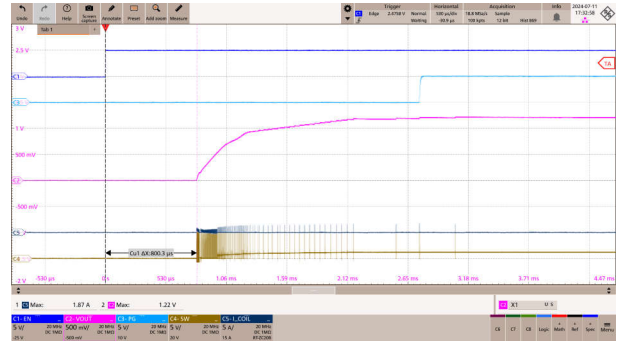
$V_{IN} = 5.0V$ BOM = $2 \times 22\mu F$
 $V_{OUT} = 1.2V$ FPWM, No Load

Figure 9-21. FPWM Operation



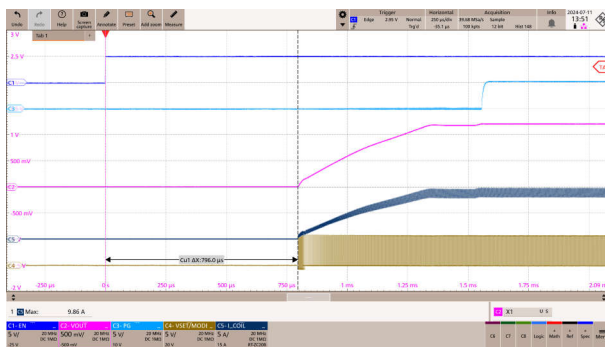
$V_{IN} = 5.0V$ BOM = $2 \times 22\mu F$
 $V_{OUT} = 1.2V$ FPWM, $I_{OUT} = 6A$

Figure 9-22. FPWM Operation



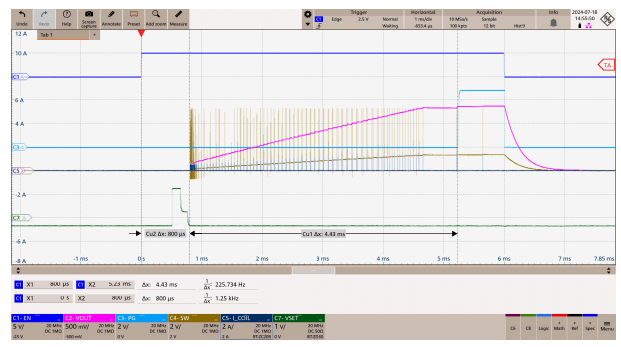
TPS6286A06 $V_{OUT} = 1.2V$ No Load

Figure 9-23. Start-Up With No Load



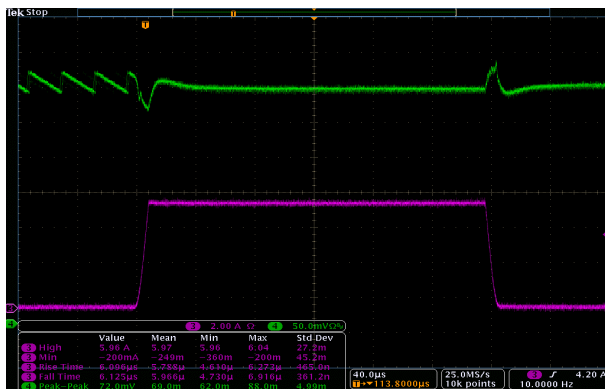
TPS6286B10 $V_{OUT} = 1.2V$ Load = 10A

Figure 9-24. Start-Up into Full Load



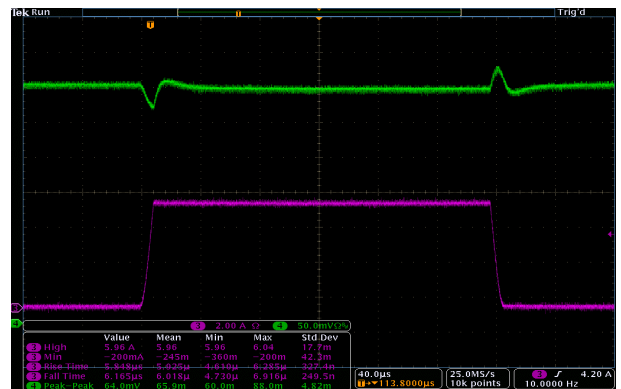
TPS6286B10 $V_{OUT} = 1.6V$ $C_{SS} = 100nF$

Figure 9-25. External Soft Start and Shutdown into No Load



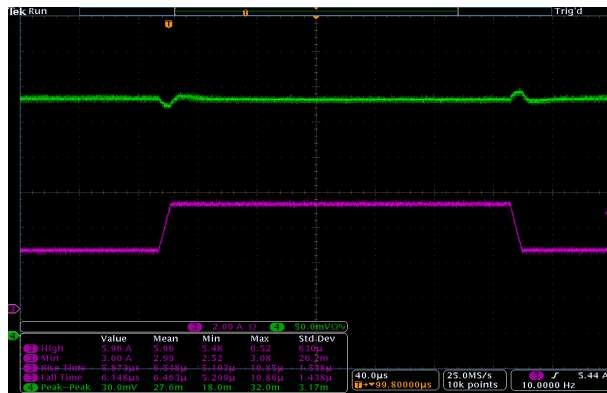
$V_{IN} = 5.0V$ TPS6286A06
 $V_{OUT} = 1.2V$ BOM = $2 \times 22\mu F$
 $I_{OUT} = 10mA$ to 6A

Figure 9-26. Load Transient - PFM Operation



$V_{IN} = 5.0V$ TPS6286A06
 $V_{OUT} = 1.2V$ BOM = $2 \times 22\mu F$
 $I_{OUT} = 10mA$ to 6A

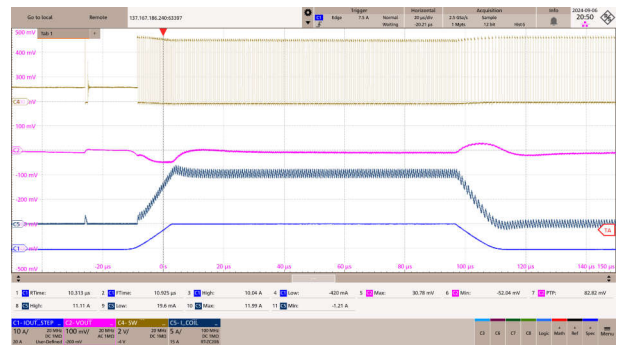
Figure 9-27. Load Transient - FPWM Operation



$V_{IN} = 5.0V$
 $V_{OUT} = 1.2V$

TPS6286A06
BOM = 2 × 22μF
 $I_{OUT} = 3A$ to 6A

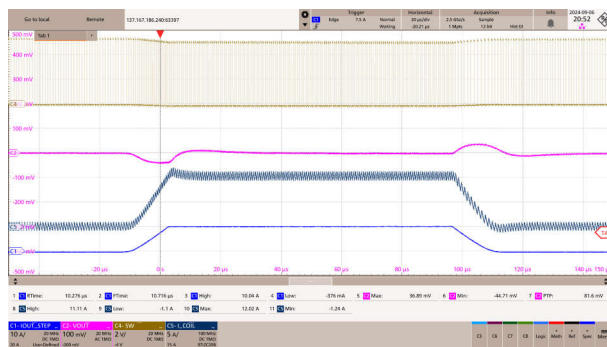
Figure 9-28. Load Transient - FPWM Operation



$V_{IN} = 5.0V$
 $V_{OUT} = 1.2V$

TPS6286A10
BOM = 4 × 22μF
 $I_{OUT} = 10mA$ to 10A

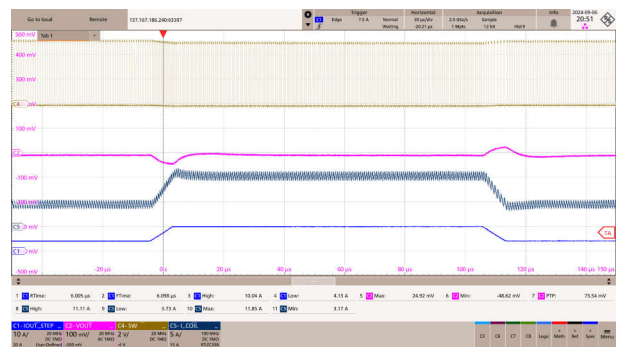
Figure 9-29. Load Transient - PFM Operation



$V_{IN} = 5.0V$
 $V_{OUT} = 1.2V$

TPS6286A10
BOM = 4 × 22μF
 $I_{OUT} = 10mA$ to 10A

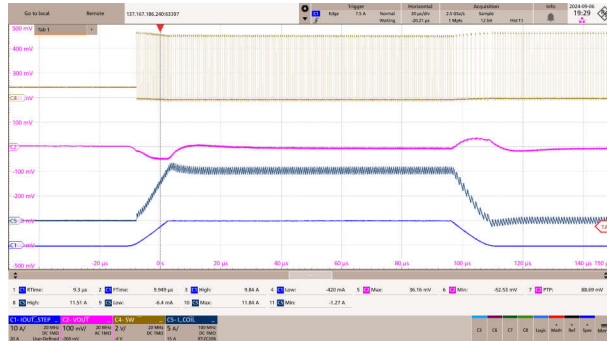
Figure 9-30. Load Transient - FPWM Operation



$V_{IN} = 5.0V$
 $V_{OUT} = 1.2V$

TPS6286A10
BOM = 4 × 22μF
 $I_{OUT} = 4A$ to 10A

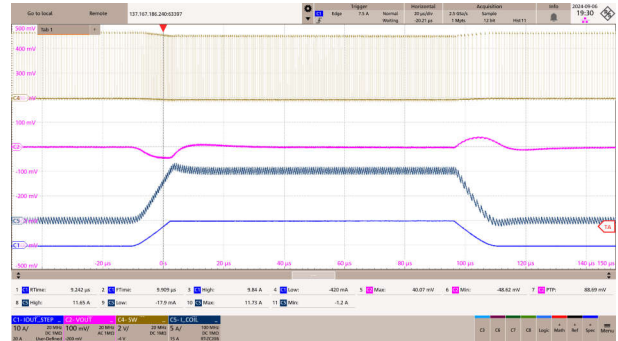
Figure 9-31. Load Transient - PFM Operation



$V_{IN} = 5.0V$
 $V_{OUT} = 0.9V$

TPS6286A10
BOM = 4 × 22μF
 $I_{OUT} = 10mA$ to 10A

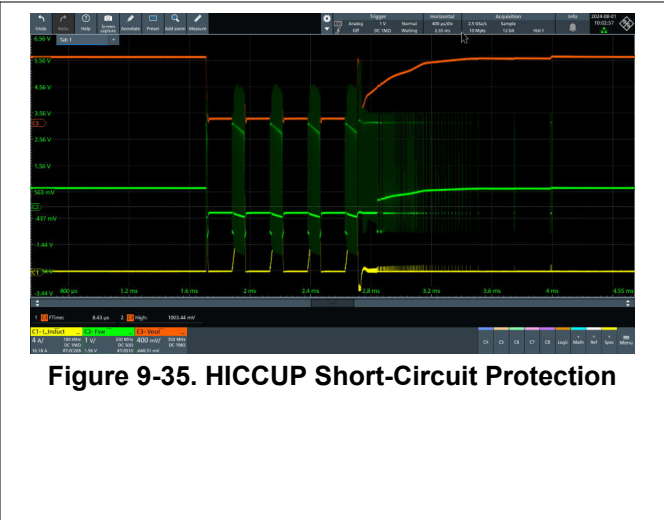
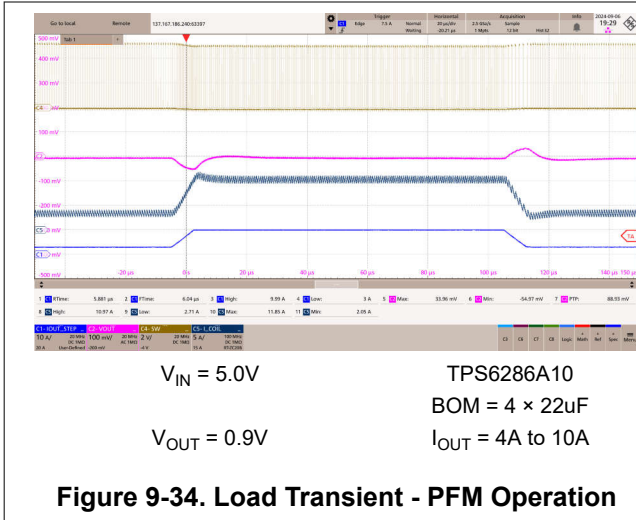
Figure 9-32. Load Transient - PFM Operation



$V_{IN} = 5.0V$
 $V_{OUT} = 0.9V$

TPS6286A10
BOM = 4 × 22μF
 $I_{OUT} = 10mA$ to 10A

Figure 9-33. Load Transient - FPWM Operation



9.3 Power Supply Recommendations

The device is designed to operate from an input voltage supply range from 2.4V to 5.5V. Make sure that the input power supply has a sufficient current rating for the application.

9.4 Layout

9.4.1 Layout Guidelines

A proper layout is critical for the operation of any switched mode power supply, especially at high switching frequencies. The PCB layout of the TPS6286Axx and TPS6286Bxx devices requires careful attention to make sure of best performance. A poor layout can lead to issues like bad line and load regulation, instability, increased EMI radiation, and noise sensitivity. Refer to the [Five Steps to a Great PCB Layout for a Step-Down Converter analog design journal](#) for a detailed discussion of general best practices. The following are specific recommendations for the TPS6286Axx and TPS6286Bxx:

- Place the input capacitor as close as possible to the VIN and GND pins of the device. This placement is the most critical component placement. Route the input capacitor or capacitors directly to the VIN and GND pins.
- Place the output inductor close to the SW pins. Minimize the copper area at the switch node.
- Place the output capacitor ground close to the GND pin and route directly. Minimize the length of the connection from the inductor to the output capacitor. Connect the OUT pin directly to the output capacitor.
- Place the FB resistors R1 and R2 close to the FB pin and place R3 close to the VSET/MODE pin to minimize noise pickup.
- Make the connections from the input voltage of the system and the connection to the load as wide as possible to minimize voltage drops.
- Have a solid ground plane between GND and the input and output capacitor ground connections.

9.4.2 Layout Example

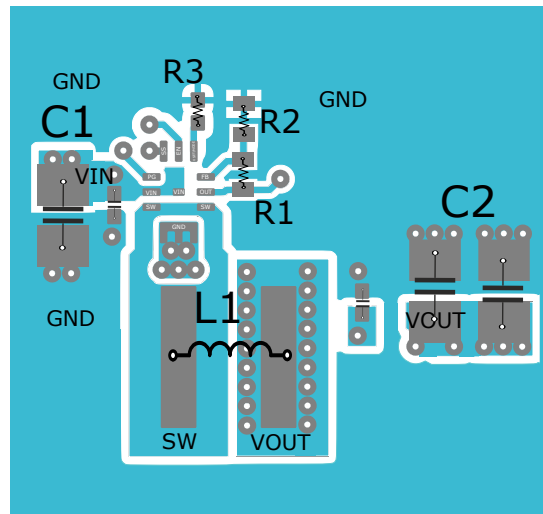


Figure 9-36. Layout Example TPS6286Axx

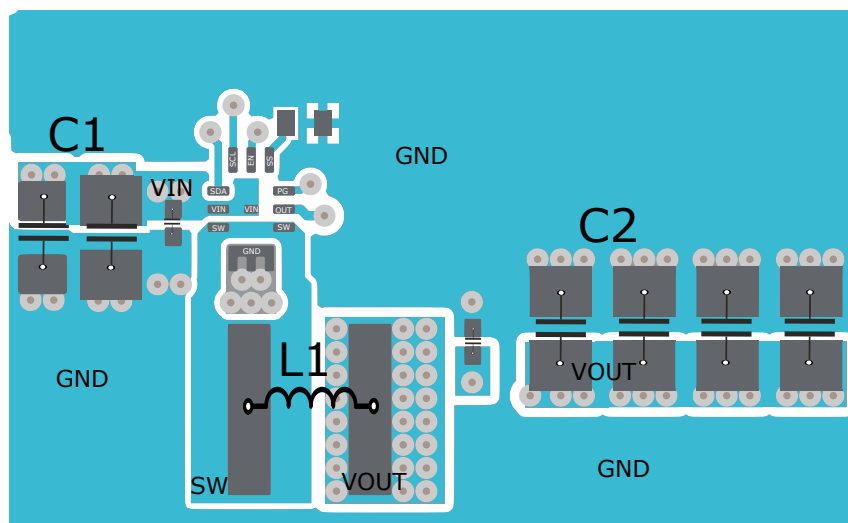


Figure 9-37. Layout Example TPS6286Bxx

9.4.2.1 Thermal Considerations

After the layout recommendations for component placement and routing have been followed, the PCB design must focus on thermal performance. Thermal design is important and must be considered to remove the heat generated in the device during operation. The device junction temperature must stay below the maximum rated temperature of 125°C for correct operation.

Use wide traces and planes, especially to the GND and VIN pins, and use vias to internal planes to improve the power dissipation capability of the design. If the application allows, use airflow in the system to further improve cooling.

The [Thermal Information](#) table provides the thermal parameters of the device and the package based on the JEDEC standard 51-7. See the [Semiconductor and IC Package Thermal Metrics application note](#) for a detailed explanation of each parameter. In addition to the JEDEC standard, the thermal information table also contains the thermal parameters of the EVM. The EVM better reflects a real-world PCB design with thicker traces connecting to the device.

10 Device and Documentation Support

10.1 Device Support

10.1.1 Third-Party Products Disclaimer

TI'S PUBLICATION OF INFORMATION REGARDING THIRD-PARTY PRODUCTS OR SERVICES DOES NOT CONSTITUTE AN ENDORSEMENT REGARDING THE SUITABILITY OF SUCH PRODUCTS OR SERVICES OR A WARRANTY, REPRESENTATION OR ENDORSEMENT OF SUCH PRODUCTS OR SERVICES, EITHER ALONE OR IN COMBINATION WITH ANY TI PRODUCT OR SERVICE.

10.1.2 Development Support

10.1.2.1 Custom Design With WEBENCH® Tools

[Click here](#) to create a custom design using the TPS6286A10, TPS6286A08 and TPS6286A06 devices with the WEBENCH® Power Designer.

[Click here](#) to create a custom design using the TPS6286B10 and TPS6286B08 device with the WEBENCH Power Designer.

1. Start by entering the input voltage (V_{IN}), output voltage (V_{OUT}), and output current (I_{OUT}) requirements.
2. Optimize the design for key parameters such as efficiency, footprint, and cost using the optimizer dial.
3. Compare the generated design with other possible solutions from Texas Instruments.

The WEBENCH Power Designer provides a customized schematic along with a list of materials with real-time pricing and component availability.

In most cases, these actions are available:

- Run electrical simulations to see important waveforms and circuit performance
- Run thermal simulations to understand board thermal performance
- Export customized schematic and layout into popular CAD formats
- Print PDF reports for the design, and share the design with colleagues

Get more information about WEBENCH tools at www.ti.com/WEBENCH.

10.2 Documentation Support

10.2.1 Related Documentation

For related documentation, see the following:

- Texas Instruments, [Thermal Characteristics of Linear and Logic Packages Using JEDEC PCB Designs application note](#)
- Texas Instruments, [Five Steps to a Great PCB Layout for a Step-Down Converter analog design journal](#)
- Texas Instruments, [Design Considerations for a Resistive Feedback Divider in a DC/DC Converter technical brief](#)
- Texas Instruments, [Benefits of a Resistor-to-Digital Converter in Ultra-Low Power Supplies white paper](#)

10.3 Receiving Notification of Documentation Updates

To receive notification of documentation updates, navigate to the device product folder on ti.com. Click on *Notifications* to register and receive a weekly digest of any product information that has changed. For change details, review the revision history included in any revised document.

10.4 Support Resources

[TI E2E™ support forums](#) are an engineer's go-to source for fast, verified answers and design help — straight from the experts. Search existing answers or ask your own question to get the quick design help you need.

Linked content is provided "AS IS" by the respective contributors. They do not constitute TI specifications and do not necessarily reflect TI's views; see TI's [Terms of Use](#).

10.5 Trademarks

TI E2E™ is a trademark of Texas Instruments.

WEBENCH® is a registered trademark of Texas Instruments.
All trademarks are the property of their respective owners.

10.6 Electrostatic Discharge Caution



This integrated circuit can be damaged by ESD. Texas Instruments recommends that all integrated circuits be handled with appropriate precautions. Failure to observe proper handling and installation procedures can cause damage.

ESD damage can range from subtle performance degradation to complete device failure. Precision integrated circuits may be more susceptible to damage because very small parametric changes could cause the device not to meet its published specifications.

10.7 Glossary

[TI Glossary](#) This glossary lists and explains terms, acronyms, and definitions.

11 Revision History

NOTE: Page numbers for previous revisions may differ from page numbers in the current version.

Changes from Revision B (March 2025) to Revision C (June 2025)	Page
• Deleted slew rate information in load transient figures	28

Changes from Revision A (November 2024) to Revision B (March 2025)	Page
• Deleted preview labels in the <i>Device Information</i> Table.....	1
• Deleted preview labels in the <i>Device Options</i> Table.....	3
• Added <i>Start-Up Output Voltage for TPS6286Bxx Devices</i> section.....	18

12 Mechanical, Packaging, and Orderable Information

The following pages include mechanical, packaging, and orderable information. This information is the most current data available for the designated devices. This data is subject to change without notice and revision of this document. For browser-based versions of this data sheet, refer to the left-hand navigation.

PACKAGING INFORMATION

Orderable part number	Status (1)	Material type (2)	Package Pins	Package qty Carrier	RoHS (3)	Lead finish/ Ball material (4)	MSL rating/ Peak reflow (5)	Op temp (°C)	Part marking (6)
TPS6286A06VBMR	Active	Production	VQFN-HR (VBM) 13	3000 LARGE T&R	Yes	SN	Level-1-260C-UNLIM	-40 to 125	A06
TPS6286A06VBMR.A	Active	Production	VQFN-HR (VBM) 13	3000 LARGE T&R	Yes	SN	Level-1-260C-UNLIM	-40 to 125	A06
TPS6286A08VBMR	Active	Production	VQFN-HR (VBM) 13	3000 LARGE T&R	Yes	SN	Level-1-260C-UNLIM	-40 to 125	A08
TPS6286A08VBMR.A	Active	Production	VQFN-HR (VBM) 13	3000 LARGE T&R	Yes	SN	Level-1-260C-UNLIM	-40 to 125	A08
TPS6286A10VBMR	Active	Production	VQFN-HR (VBM) 13	3000 LARGE T&R	Yes	SN	Level-1-260C-UNLIM	-40 to 125	A10
TPS6286A10VBMR.A	Active	Production	VQFN-HR (VBM) 13	3000 LARGE T&R	Yes	SN	Level-1-260C-UNLIM	-40 to 125	A10
TPS6286B081VBMR	Active	Production	VQFN-HR (VBM) 13	3000 LARGE T&R	Yes	SN	Level-1-260C-UNLIM	-40 to 125	B081
TPS6286B081VBMR.A	Active	Production	VQFN-HR (VBM) 13	3000 LARGE T&R	Yes	SN	Level-1-260C-UNLIM	-40 to 125	B081
TPS6286B101VBMR	Active	Production	VQFN-HR (VBM) 13	3000 LARGE T&R	Yes	SN	Level-1-260C-UNLIM	-40 to 125	B101
TPS6286B101VBMR.A	Active	Production	VQFN-HR (VBM) 13	3000 LARGE T&R	Yes	SN	Level-1-260C-UNLIM	-40 to 125	B101

(1) **Status:** For more details on status, see our [product life cycle](#).

(2) **Material type:** When designated, preproduction parts are prototypes/experimental devices, and are not yet approved or released for full production. Testing and final process, including without limitation quality assurance, reliability performance testing, and/or process qualification, may not yet be complete, and this item is subject to further changes or possible discontinuation. If available for ordering, purchases will be subject to an additional waiver at checkout, and are intended for early internal evaluation purposes only. These items are sold without warranties of any kind.

(3) **RoHS values:** Yes, No, RoHS Exempt. See the [TI RoHS Statement](#) for additional information and value definition.

(4) **Lead finish/Ball material:** Parts may have multiple material finish options. Finish options are separated by a vertical ruled line. Lead finish/Ball material values may wrap to two lines if the finish value exceeds the maximum column width.

(5) **MSL rating/Peak reflow:** The moisture sensitivity level ratings and peak solder (reflow) temperatures. In the event that a part has multiple moisture sensitivity ratings, only the lowest level per JEDEC standards is shown. Refer to the shipping label for the actual reflow temperature that will be used to mount the part to the printed circuit board.

(6) **Part marking:** There may be an additional marking, which relates to the logo, the lot trace code information, or the environmental category of the part.

Multiple part markings will be inside parentheses. Only one part marking contained in parentheses and separated by a "~" will appear on a part. If a line is indented then it is a continuation of the previous line and the two combined represent the entire part marking for that device.

Important Information and Disclaimer: The information provided on this page represents TI's knowledge and belief as of the date that it is provided. TI bases its knowledge and belief on information provided by third parties, and makes no representation or warranty as to the accuracy of such information. Efforts are underway to better integrate information from third parties. TI has taken and continues to take reasonable steps to provide representative

and accurate information but may not have conducted destructive testing or chemical analysis on incoming materials and chemicals. TI and TI suppliers consider certain information to be proprietary, and thus CAS numbers and other limited information may not be available for release.

In no event shall TI's liability arising out of such information exceed the total purchase price of the TI part(s) at issue in this document sold by TI to Customer on an annual basis.

TAPE AND REEL INFORMATION

QUADRANT ASSIGNMENTS FOR PIN 1 ORIENTATION IN TAPE

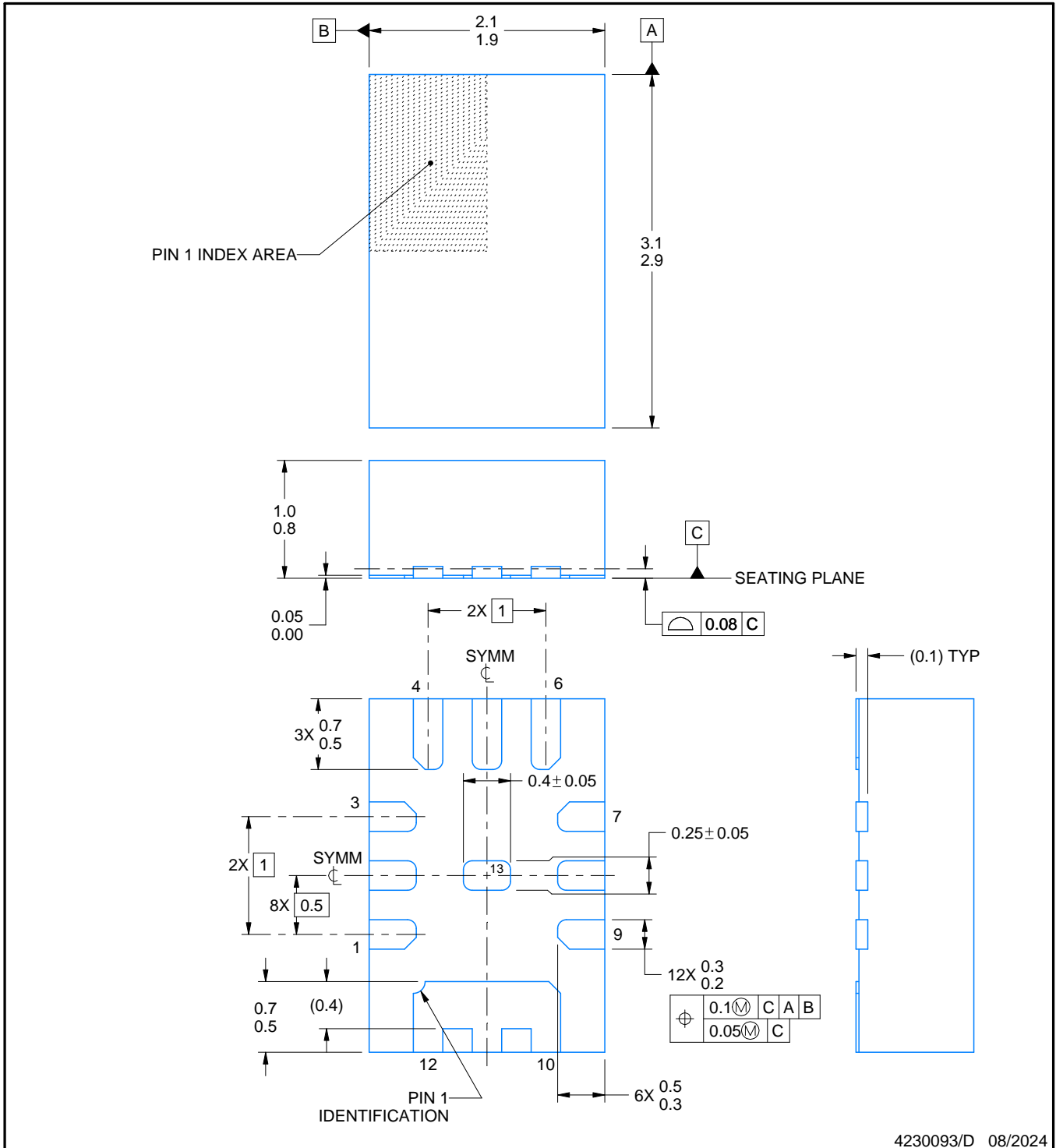
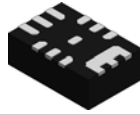

*All dimensions are nominal

Device	Package Type	Package Drawing	Pins	SPQ	Reel Diameter (mm)	Reel Width W1 (mm)	A0 (mm)	B0 (mm)	K0 (mm)	P1 (mm)	W (mm)	Pin1 Quadrant
TPS6286A06VBMR	VQFN-HR	VBM	13	3000	180.0	8.4	2.25	3.25	1.05	4.0	8.0	Q1
TPS6286A08VBMR	VQFN-HR	VBM	13	3000	180.0	8.4	2.25	3.25	1.05	4.0	8.0	Q1
TPS6286A10VBMR	VQFN-HR	VBM	13	3000	180.0	8.4	2.25	3.25	1.05	4.0	8.0	Q1
TPS6286B081VBMR	VQFN-HR	VBM	13	3000	180.0	8.4	2.25	3.25	1.05	4.0	8.0	Q1
TPS6286B101VBMR	VQFN-HR	VBM	13	3000	180.0	8.4	2.25	3.25	1.05	4.0	8.0	Q1

TAPE AND REEL BOX DIMENSIONS


*All dimensions are nominal

Device	Package Type	Package Drawing	Pins	SPQ	Length (mm)	Width (mm)	Height (mm)
TPS6286A06VBMR	VQFN-HR	VBM	13	3000	210.0	185.0	35.0
TPS6286A08VBMR	VQFN-HR	VBM	13	3000	210.0	185.0	35.0
TPS6286A10VBMR	VQFN-HR	VBM	13	3000	210.0	185.0	35.0
TPS6286B081VBMR	VQFN-HR	VBM	13	3000	210.0	185.0	35.0
TPS6286B101VBMR	VQFN-HR	VBM	13	3000	210.0	185.0	35.0



4230093/D 08/2024

NOTES:

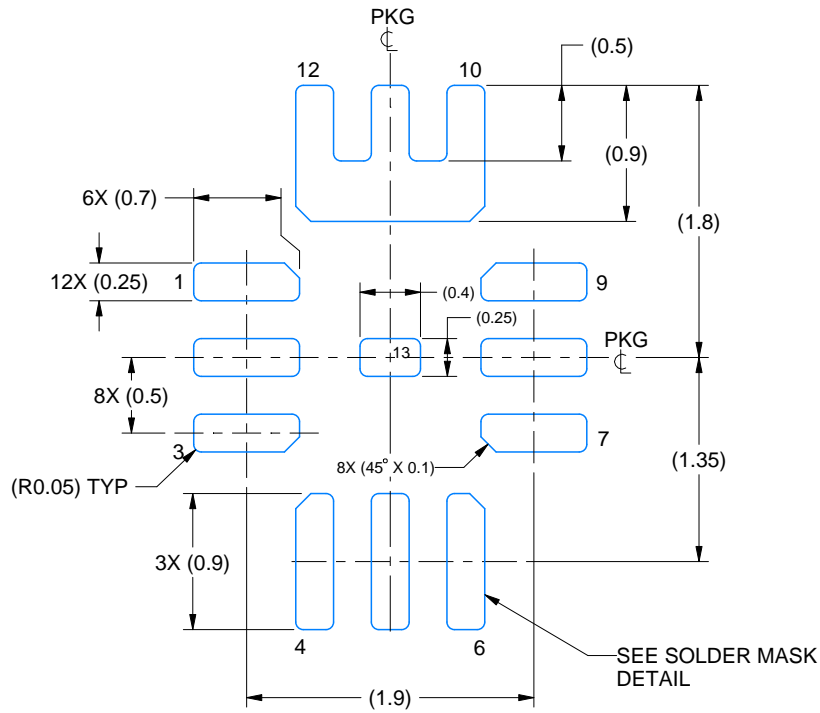
1. All linear dimensions are in millimeters. Any dimensions in parenthesis are for reference only. Dimensioning and tolerancing per ASME Y14.5M.
2. This drawing is subject to change without notice.

EXAMPLE BOARD LAYOUT

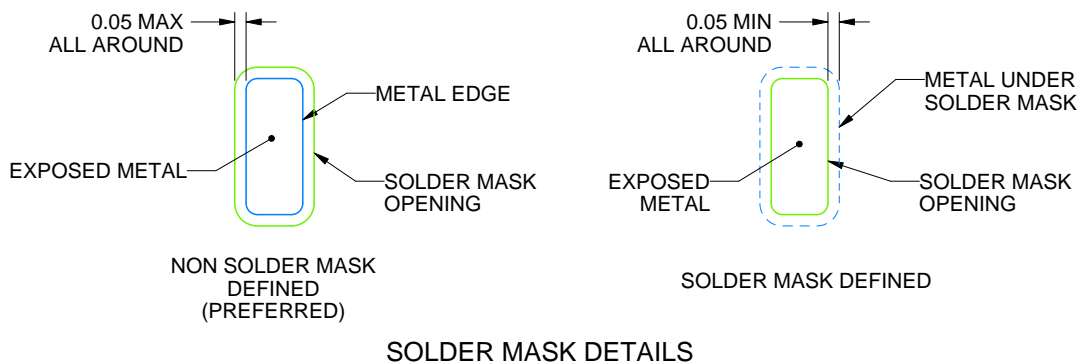
VBM0013A

VQFN-HR - 1 mm max height

PLASTIC QUAD FLATPACK - NO LEAD



LAND PATTERN EXAMPLE
EXPOSED METAL SHOWN
SCALE: 20X



4230093/D 08/2024

NOTES: (continued)

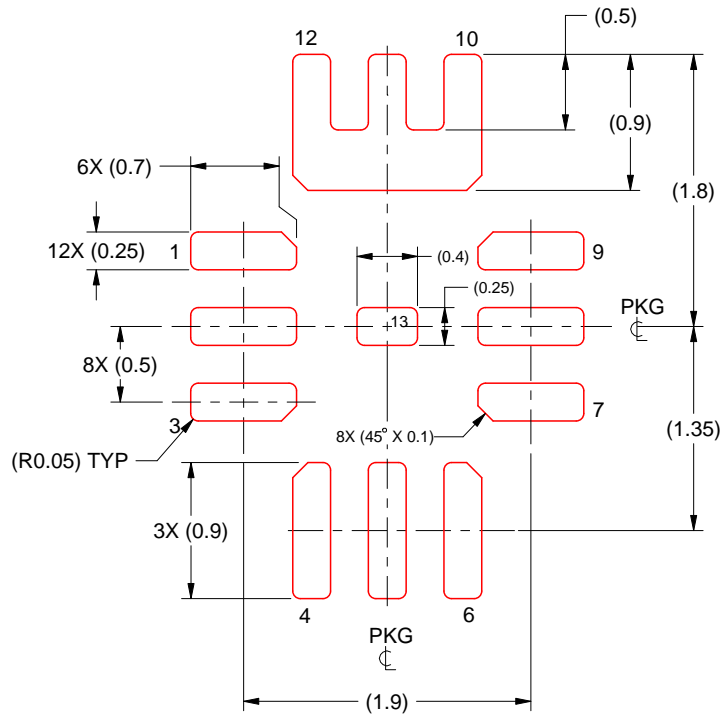
3. For more information, see Texas Instruments literature number SLUA271 (www.ti.com/lit/slua271).

EXAMPLE STENCIL DESIGN

VBM0013A

VQFN-HR - 1 mm max height

PLASTIC QUAD FLATPACK - NO LEAD



SOLDER PASTE EXAMPLE
BASED ON 0.1 MM THICK STENCIL
SCALE: 20X

4230093/D 08/2024

NOTES: (continued)

4. Laser cutting apertures with trapezoidal walls and rounded corners may offer better paste release. IPC-7525 may have alternate design recommendations.

IMPORTANT NOTICE AND DISCLAIMER

TI PROVIDES TECHNICAL AND RELIABILITY DATA (INCLUDING DATASHEETS), DESIGN RESOURCES (INCLUDING REFERENCE DESIGNS), APPLICATION OR OTHER DESIGN ADVICE, WEB TOOLS, SAFETY INFORMATION, AND OTHER RESOURCES "AS IS" AND WITH ALL FAULTS, AND DISCLAIMS ALL WARRANTIES, EXPRESS AND IMPLIED, INCLUDING WITHOUT LIMITATION ANY IMPLIED WARRANTIES OF MERCHANTABILITY, FITNESS FOR A PARTICULAR PURPOSE OR NON-INFRINGEMENT OF THIRD PARTY INTELLECTUAL PROPERTY RIGHTS.

These resources are intended for skilled developers designing with TI products. You are solely responsible for (1) selecting the appropriate TI products for your application, (2) designing, validating and testing your application, and (3) ensuring your application meets applicable standards, and any other safety, security, regulatory or other requirements.

These resources are subject to change without notice. TI grants you permission to use these resources only for development of an application that uses the TI products described in the resource. Other reproduction and display of these resources is prohibited. No license is granted to any other TI intellectual property right or to any third party intellectual property right. TI disclaims responsibility for, and you fully indemnify TI and its representatives against any claims, damages, costs, losses, and liabilities arising out of your use of these resources.

TI's products are provided subject to [TI's Terms of Sale](#), [TI's General Quality Guidelines](#), or other applicable terms available either on [ti.com](#) or provided in conjunction with such TI products. TI's provision of these resources does not expand or otherwise alter TI's applicable warranties or warranty disclaimers for TI products. Unless TI explicitly designates a product as custom or customer-specified, TI products are standard, catalog, general purpose devices.

TI objects to and rejects any additional or different terms you may propose.

Copyright © 2025, Texas Instruments Incorporated

Last updated 10/2025