

# TPS65182x PMIC For E Ink® Vizplex™-Enabled Electronic Paper Display

## 1 Features

- Single Chip Power Management Solution for E Ink® Vizplex™ Electronic Paper Displays
- Generates Positive and Negative Gate and Source Driver Voltages and Back-Plane Bias from a Single, Low-Voltage Input Supply
- 3-V to 6-V Input Voltage Range
- Boost Converter for Positive Rail Base
- Inverting Buck-Boost Converter for Negative Rail Base
- Two Adjustable LDOs for Source Driver Supply
  - LDO1: 15 V, 120 mA (VPOS)
  - LDO2: –15 V, 120 mA (VNEG)
- Accurate Output Voltage Tracking
  - VPOS - VNEG = ±50 mV
- Two Charge Pumps for Gate Driver Supply
  - CP1: 22 V, 10 mA (VDDH)
  - CP2: –20 V, 12 mA, (VEE)
- Adjustable VCOM Driver for Accurate Panel-Backplane Biasing
  - –0.3 V to –2.5 V
  - Adjustable Through External Potentiometer
  - 15-mA Max Integrated Switch
- Thermistor Monitoring
  - –10°C to 85°C Temperature Range
  - ±1°C Accuracy from 0°C to 50°C
- I<sup>2</sup>C Serial Interface
  - Slave Address 0x48h (1001000)
- Flexible Power-Up Sequencing

- Sleep Mode Support
- Thermally Enhanced Package for Efficient Heat Management (48-Pin 7 mm × 7 mm × 0.9 mm VQFN)

## 2 Applications

- Power Supply for Active Matrix E Ink Vizplex Panels
- E-Book Readers
- EPSON® S1D13522 (ISIS) Timing Controller
- EPSON S1D13521 (Broadsheet) Timing Controller
- Application Processors With Integrated or Software Timing Controller (OMAP™)

## 3 Description

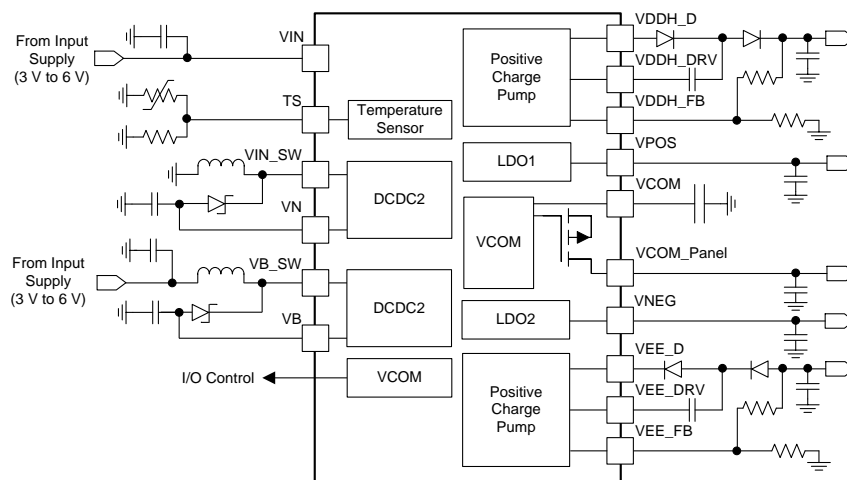
The TPS65182x device is a single-chip power supplies designed to for E Ink Vizplex displays used in portable e-reader applications and support panel sizes up to 9.7 inches. Two high efficiency DC/DC boost converters generate ±17-V rails which are boosted to 22 V and –20 V by two change pumps to provide the gate driver supply for the Vizplex panel.

### Device Information<sup>(1)</sup>

PART NUMBER	PACKAGE	BODY SIZE (NOM)
TPS65182 <sup>(2)</sup>	VQFN (48)	7.00 mm × 7.00 mm
TPS65182B		

- (1) For all available packages, see the orderable addendum at the end of the data sheet.  
 (2) Not recommended for new design.

### Typical Application Schematic



## Table of Contents

<b>1 Features</b> .....	<b>1</b>	8.3 Feature Description .....	<b>12</b>
<b>2 Applications</b> .....	<b>1</b>	8.4 Device Functional Modes .....	<b>17</b>
<b>3 Description</b> .....	<b>1</b>	8.5 Register Maps .....	<b>19</b>
<b>4 Revision History</b> .....	<b>2</b>	<b>9 Application and Implementation</b> .....	<b>20</b>
<b>5 Description (continued)</b> .....	<b>3</b>	9.1 Application Information .....	<b>20</b>
<b>6 Pin Configuration and Functions</b> .....	<b>4</b>	9.2 Typical Application .....	<b>20</b>
<b>7 Specifications</b> .....	<b>6</b>	<b>10 Power Supply Recommendations</b> .....	<b>22</b>
7.1 Absolute Maximum Ratings .....	<b>6</b>	<b>11 Layout</b> .....	<b>22</b>
7.2 ESD Ratings .....	<b>6</b>	11.1 Layout Guidelines .....	<b>22</b>
7.3 Recommended Operating Conditions .....	<b>6</b>	11.2 Layout Example .....	<b>23</b>
7.4 Thermal Information .....	<b>7</b>	<b>12 Device and Documentation Support</b> .....	<b>24</b>
7.5 Electrical Characteristics .....	<b>7</b>	12.1 Related Links .....	<b>24</b>
7.6 Data Transmission Timing .....	<b>10</b>	12.2 Community Resources .....	<b>24</b>
7.7 Typical Characteristics .....	<b>10</b>	12.3 Trademarks .....	<b>24</b>
<b>8 Detailed Description</b> .....	<b>11</b>	12.4 Electrostatic Discharge Caution .....	<b>24</b>
8.1 Overview .....	<b>11</b>	12.5 Glossary .....	<b>24</b>
8.2 Functional Block Diagram .....	<b>12</b>	<b>13 Mechanical, Packaging, and Orderable Information</b> .....	<b>24</b>

## 4 Revision History

NOTE: Page numbers for previous revisions may differ from page numbers in the current version.

<b>Changes from Revision C (October 2010) to Revision D</b>	<b>Page</b>
<ul style="list-style-type: none"> <li>Added <i>ESD Ratings</i> table, <i>Feature Description</i> section, <i>Device Functional Modes</i>, <i>Application and Implementation</i> section, <i>Power Supply Recommendations</i> section, <i>Layout</i> section, <i>Device and Documentation Support</i> section, and <i>Mechanical, Packaging, and Orderable Information</i> section. ....</li> </ul>	<b>1</b>

## 5 Description (continued)

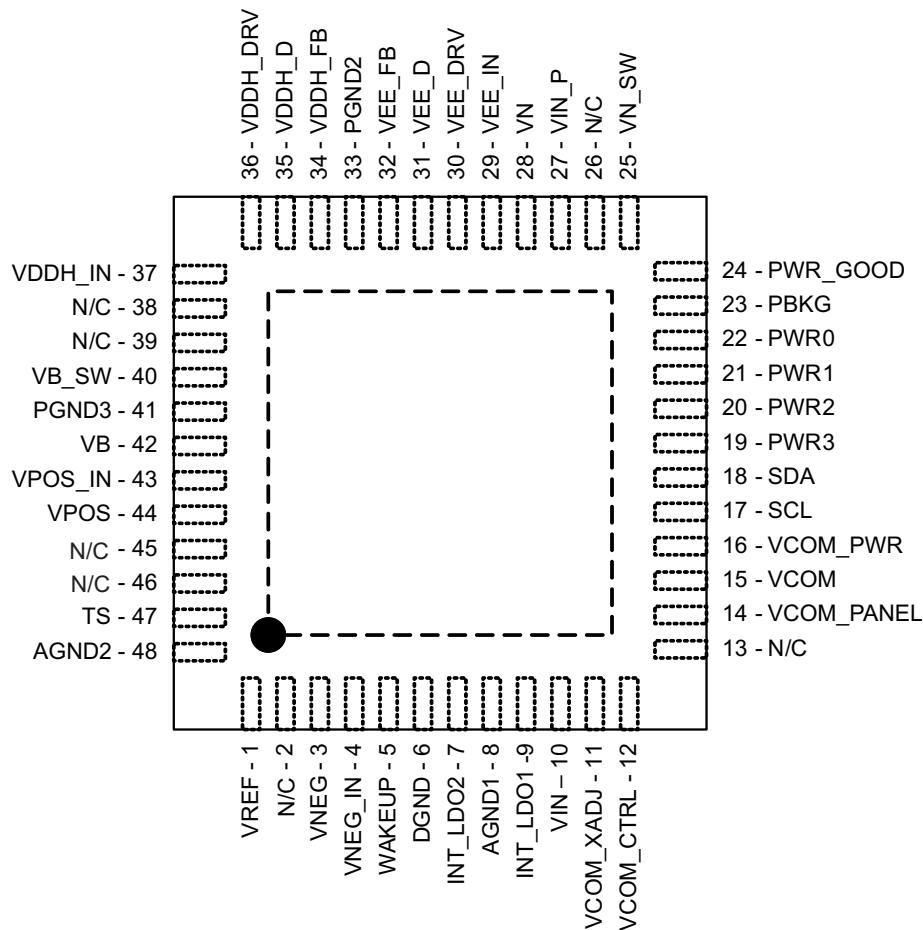
Two tracking LDOs create the  $\pm 15$ -V source driver supplies which support up to 120-mA of output current. All rails are adjustable through the I<sup>2</sup>C interface to accommodate specific panel requirements.

Accurate back-plane biasing is provided by a linear amplifier and can be adjusted either by an external resistor or the I<sup>2</sup>C interface. The VCOM driver can source or sink current depending on panel condition.

The TPS65182x provides precise temperature measurement function to monitor the panel temperature during operation. The temperature reading is updated every 60 s and can be accessed through the I<sup>2</sup>C interface.

## 6 Pin Configuration and Functions

**RGZ Package**  
**48-Pin VQFN With Exposed Thermal Pad**  
**Top View**



**Pin Functions**

PIN		I/O	DESCRIPTION <sup>(1)</sup>
NO.	NAME		
1	VREF	O	Filter pin for 2.25-V internal reference to ADC
2	N/C	—	Not connected
3	VNEG	O	Negative supply output pin for panel source drivers
4	VNEG_IN	I	Input pin for LDO2 (VNEG)
5	WAKEUP	I	Wake up pin (active high). Pull this pin high to wake up from sleep mode.
6	DGND	—	Digital ground
7	INT_LDO2	O	Internal supply (digital circuitry) filter pin
8	AGND1	—	Analog ground for general analog circuitry
9	INT_LDO1	O	Internal supply (analog circuitry) filter pin
10	VIN	I	Input power supply to general circuitry
11	VCOM_XADJ	I	Analog input for conventional VCOM setup method. Tie this pin to ground if VCOM is set through I <sup>2</sup> C interface.

(1) There will be 0-ns, 93.75- $\mu$ s, 62.52- $\mu$ s of deglitch for PWRx, WAKEUP, and VCOM\_CTRL, respectively.

**Pin Functions (continued)**

PIN		I/O	DESCRIPTION <sup>(1)</sup>
NO.	NAME		
12	VCOM_CTRL	I	VCOM_PANEL gate driver enable (active high)
13	N/C	—	Not connected
14	VCOM_PANEL	O	Panel common-voltage output pin
15	VCOM	O	Filter pin for panel common-voltage driver
16	VCOM_PWR	I	Internal supply input pin to VCOM buffer. Connect to the output of DCDC2.
17	SCL	I	Serial interface (I <sup>2</sup> C) clock input
18	SDA	I/O	Serial interface (I <sup>2</sup> C) data input/output
19	PWR3	I	Enable pin for CP1 (VDDH) (active high)
20	PWR2	I	Enable pin for LDO1 (VPOS) (active high)
21	PWR1	I	Enable pin for CP2 (VEE) (active high)
22	PWR0	I	Enable pin for LDO2 (VNEG) and VCOM (active high)
24	PWR_GOOD	O	Open drain power good output pin (active low)
25	VN_SW	O	Inverting buck-boost converter switch out (DCDC2)
26	N/C	—	Not connected
27	VIN_P	I	Input power supply to inverting buck-boost converter (DCDC2)
28	VN	I	Feedback pin for inverting buck-boost converter (DCDC2)
29	VEE_IN	I	Input supply pin for CP1 (VEE)
30	VEE_DRV	O	Driver output pin for negative charge pump (CP2)
31	VEE_D	O	Base voltage output pin for negative charge pump (CP2)
32	VEE_FB	I	Feedback pin for negative charge pump (CP2)
33	PGND2	—	Power ground for CP1 (VDDH) and CP2 (VEE) charge pumps
34	VDDH_FB	I	Feedback pin for positive charge pump (CP1)
35	VDDH_D	O	Base voltage output pin for positive charge pump (CP1)
36	VDDH_DRV	O	Driver output pin for positive charge pump (CP1)
37	VDDH_IN	I	Input supply pin for positive charge pump (CP1)
38	N/C	—	Not connected
39	N/C	—	Not connected
40	VB_SW	O	Boost converter switch out (DCDC1)
41	PGND3	—	Power ground for DCDC1
42	VB	I	Feedback pin for boost converter (DCDC1)
43	VPOS_IN	I	Input pin for LDO1 (VPOS)
44	VPOS	O	Positive supply output pin for panel source drivers
45	N/C	—	Not connected
46	N/C	—	Not connected
47	TS	I	Thermistor input pin. Connect a 10k NTC thermistor and a 43k linearization resistor between this pin and AGND2.
48	AGND2	—	Reference point to external thermistor and linearization resistor
23	PowerPad (PBKG)	—	Die substrate/thermal pad. Connect to VN with short, wide trace. Wide copper trace will improve heat dissipation. PowerPad must not be connected to ground.

## 7 Specifications

### 7.1 Absolute Maximum Ratings

 over operating free-air temperature range (unless otherwise noted) <sup>(1)(2)</sup>

	MIN	MAX	UNIT
Input voltage range at VIN, VINP	–0.3	7	V
Ground pins to system ground	–0.3	0.3	V
Voltage range at SDA, SCL, WAKEUP, PWR3, PWR2, PWR1, PWR0, VCOM_CTRL, VDDH_FB, VEE_FB, PWR_GOOD	–0.3	3.6	V
VCOM_XADJ	–3.6	0.3	V
Voltage on VB, VB_SW, VPOS_IN, VDDH_IN	–0.3	20	V
Voltage on VN, VNEG_IN, VEE_IN, VCOM_PWR	–20	0.3	V
Voltage from VINP to VN_SW	–0.3	30	V
Peak output current	Internally limited		mA
Continuous total power dissipation	2		W
T <sub>J</sub> Operating junction temperature	–10	125	°C
T <sub>A</sub> Operating ambient temperature <sup>(3)</sup>	–10	85	°C
T <sub>stg</sub> Storage temperature	–65	150	°C

- (1) Stresses beyond those listed under Absolute Maximum Ratings may cause permanent damage to the device. These are stress ratings only, and functional operation of the device at these or any other conditions beyond those indicated under Recommended Operating Conditions is not implied. Exposure to absolute maximum rated conditions for extended periods may affect device reliability.
- (2) All voltage values are with respect to network ground terminal.
- (3) It is recommended that copper plane in proper size on board be in contact with die thermal pad to dissipate heat efficiently. Thermal pad is electrically connected to PBKG, which is supposed to be tied to the output of buck-boost converter. Thus wide copper trace in the buck-boost output will help heat dissipated efficiently.

### 7.2 ESD Ratings

	VALUE	UNIT
V <sub>(ESD)</sub> Electrostatic discharge	Human-body model (HBM), per ANSI/ESDA/JEDEC JS-001 <sup>(1)</sup>	±2000
	Charged-device model (CDM), per JEDEC specification JESD22-C101 <sup>(2)</sup>	±500

- (1) JEDEC document JEP155 states that 500-V HBM allows safe manufacturing with a standard ESD control process.
- (2) JEDEC document JEP157 states that 250-V CDM allows safe manufacturing with a standard ESD control process.

### 7.3 Recommended Operating Conditions

over operating free-air temperature range (unless otherwise noted)

	MIN	NOM	MAX	UNIT
Input voltage range at VIN, VINP	3	3.7	6	V
Voltage range at SDA, SCL, WAKEUP, PWR3, PWR2, PWR1, PWR0, VCOM_CTRL, VDDH_FB, VEE_FB, VCOM_XADJ, PWR_GOOD	0		3.6	V
T <sub>A</sub> Operating ambient temperature	–10		85	°C
T <sub>J</sub> Operating junction temperature	–10		125	°C

## 7.4 Thermal Information

THERMAL METRIC <sup>(1)</sup>		TPS65182x	UNIT
		RGZ (VQFN)	
		48 PINS	
R <sub>θJA</sub>	Junction-to-ambient thermal resistance <sup>(2)</sup>	30.5	°C/W
R <sub>θJC(top)</sub>	Junction-to-case (top) thermal resistance	16.2	°C/W
R <sub>θJB</sub>	Junction-to-board thermal resistance	7.1	°C/W
ψ <sub>JT</sub>	Junction-to-top characterization parameter	0.2	°C/W
ψ <sub>JB</sub>	Junction-to-board characterization parameter	7.1	°C/W
R <sub>θJC(bot)</sub>	Junction-to-case (bottom) thermal resistance	—	°C/W

- (1) For more information about traditional and new thermal metrics, see the *Semiconductor and IC Package Thermal Metrics* application report, [SPRA953](#).
- (2) Estimated when mounted on high K JEDEC board per JESD 51-7 with thickness of 1.6 mm, 4 layers, size of 76.2 mm X 114.3 mm, and 2 oz. copper for top and bottom plane. Actual thermal impedance will depend on PCB used in the application.

## 7.5 Electrical Characteristics

V<sub>IN</sub> = 3.7 V, T<sub>A</sub> = –10°C to 85°C, Typical values are at T<sub>A</sub> = 25°C (unless otherwise noted)

PARAMETER		TEST CONDITIONS	MIN	TYP	MAX	UNIT
<b>INPUT VOLTAGE</b>						
V <sub>IN</sub>	Input voltage range		3	3.7	6	V
V <sub>UVLO</sub>	Undervoltage lockout threshold	V <sub>IN</sub> falling		2.9		V
V <sub>HYS</sub>	Undervoltage lockout hysteresis	V <sub>IN</sub> rising		400		mV
<b>INPUT CURRENT</b>						
I <sub>Q</sub>	Operating quiescent current into VIN	Device switching, no load		5.5		mA
I <sub>STD</sub>	Operating quiescent current into VIN	Device in standby mode		130		μA
I <sub>SLEEP</sub>	Shutdown current	Device in sleep mode		2.8	10	μA
<b>INTERNAL SUPPLIES</b>						
V <sub>INT_LDO1</sub>	Internal supply			2.7		V
V <sub>INT_LDO2</sub>	Internal supply			2.7		V
V <sub>REF</sub>	Internal supply			2.25		V
<b>DCDC1 (POSITIVE BOOST REGULATOR)</b>						
V <sub>IN</sub>	Input voltage range		3	3.7	6	V
V <sub>OUT</sub>	Output voltage range			17		V
	DC set tolerance		–5%		5%	
I <sub>OUT</sub>	Output current				160	mA
R <sub>DS(ON)</sub>	MOSFET on resistance	V <sub>IN</sub> = 3.7 V		350		mΩ
I <sub>LIMIT</sub>	Switch current limit			1.5		A
	Switch current accuracy		–30%		30%	
f <sub>SW</sub>	Switching frequency			1		MHz
L	Inductor			2.2		μH
C	Capacitor			2x4.7		μF
ESR	Capacitor ESR			20		mΩ
<b>DCDC2 (INVERTING BUCK-BOOST REGULATOR)</b>						
V <sub>IN</sub>	Input voltage range		3	3.7	6	V
V <sub>OUT</sub>	Output voltage range			–17		V
	DC set tolerance		–5%		5%	
I <sub>OUT</sub>	Output current				160	mA
R <sub>DS(ON)</sub>	MOSFET on resistance	V <sub>IN</sub> = 3.7 V		350		mΩ
I <sub>LIMIT</sub>	Switch current limit			1.5		A
	Switch current accuracy		–30%		30%	

**Electrical Characteristics (continued)**
 $V_{IN} = 3.7\text{ V}$ ,  $T_A = -10^\circ\text{C}$  to  $85^\circ\text{C}$ , Typical values are at  $T_A = 25^\circ\text{C}$  (unless otherwise noted)

PARAMETER		TEST CONDITIONS	MIN	TYP	MAX	UNIT
L	Inductor			4.7		$\mu\text{H}$
C	Capacitor			2x4.7		$\mu\text{F}$
ESR	Capacitor ESR			20		$\text{m}\Omega$
<b>LDO1 (VPOS)</b>						
$V_{\text{POS\_IN}}$	Input voltage range		16.15	17	17.85	V
$V_{\text{SET}}$	Output voltage set value	$V_{\text{IN}} = 17\text{ V}$	14.25	15	15.75	V
$V_{\text{INTERVAL}}$	Output voltage set resolution	$V_{\text{IN}} = 17\text{ V}$		250		mV
$V_{\text{POS\_OUT}}$	Output voltage range	$V_{\text{SET}} = 15\text{ V}$ , $I_{\text{LOAD}} = 20\text{ mA}$	14.85	15	15.15	V
$V_{\text{OUTTOL}}$	Output tolerance	$V_{\text{SET}} = 15\text{ V}$ , $I_{\text{LOAD}} = 20\text{ mA}$	-1%		1%	
$V_{\text{DROPOUT}}$	Dropout voltage	$I_{\text{LOAD}} = 120\text{ mA}$			250	mV
$V_{\text{LOADREG}}$	Load regulation – DC	$I_{\text{LOAD}} = 10\%$ to $90\%$			1%	
$I_{\text{LOAD}}$	Load current range			120		mA
$I_{\text{LIMIT}}$	Output current limit		200			mA
$T_{\text{SS}}$	Soft start time			1		ms
C	Recommended output capacitor			4.7		$\mu\text{F}$
<b>LDO2 (VNEG)</b>						
$V_{\text{NEG\_IN}}$	Input voltage range		-17.85	-17	-16.15	V
$V_{\text{SET}}$	Output voltage set value	$V_{\text{IN}} = -17\text{ V}$	-15.75	-15	-14.25	V
$V_{\text{INTERVAL}}$	Output voltage set resolution	$V_{\text{IN}} = -17\text{ V}$		250		mV
$V_{\text{NEG\_OUT}}$	Output voltage range	$V_{\text{SET}} = -15\text{ V}$ , $I_{\text{LOAD}} = -20\text{ mA}$	-15.15	-15	-14.85	V
$V_{\text{OUTTOL}}$	Output tolerance	$V_{\text{SET}} = -15\text{ V}$ , $I_{\text{LOAD}} = -20\text{ mA}$	-1%		1%	
$V_{\text{DROPOUT}}$	Dropout voltage	$I_{\text{LOAD}} = 120\text{ mA}$			250	mV
$V_{\text{LOADREG}}$	Load regulation – DC	$I_{\text{LOAD}} = 10\%$ to $90\%$			1%	
$I_{\text{LOAD}}$	Load current range			120		mA
$I_{\text{LIMIT}}$	Output current limit		200			mA
$T_{\text{SS}}$	Soft start time			1		ms
C	Recommended output capacitor			4.7		$\mu\text{F}$
<b>LD01 (POS) AND LDO2 (VNEG) TRACKING</b>						
$V_{\text{DIFF}}$	Difference between VPOS and VNEG	$V_{\text{SET}} = \pm 15\text{ V}$ , $I_{\text{LOAD}} = \pm 20\text{ mA}$ , $0^\circ\text{C}$ to $60^\circ\text{C}$	-50		50	mV
<b>VCOM DRIVER</b>						
$V_{\text{COM}}$	Output voltage range		-2.5		-0.3	V
G	$V_{\text{COM}}$ gain ( $V_{\text{COM\_XADJ}}/V_{\text{COM}}$ )	$V_{\text{COM\_ADJ}} = 0\text{ V}$		1		V/V
<b>VCOM SWITCH</b>						
$T_{\text{ON}}$	Switch ON time	$V_{\text{COM}} = -1.25\text{ V}$ , $V_{\text{COM\_PANEL}} = 0\text{ V}$ $C_{\text{VCOM}} = 4.7\text{ }\mu\text{F}$ , $C_{\text{VCOM\_PANEL}} = 4.7\text{ }\mu\text{F}$			1	ms
$R_{\text{DS(ON)}}$	MOSFET ON resistance	$V_{\text{COM}} = -1.25\text{ V}$ , $I_{\text{COM}} = 30\text{ mA}$		20	35	$\Omega$
$I_{\text{LIMIT}}$	MOSFET current limit	Not tested in production		200		mA
$I_{\text{SWLEAK}}$	Switch leakage current	$V_{\text{COM}} = 0\text{ V}$ , $V_{\text{COM\_PANEL}} = -2.5\text{ V}$			8.3	nA
<b>CP1 (VDDH) CHARGE PUMP</b>						
$V_{\text{DDH\_IN}}$	Input voltage range		16.15	17	17.85	V
$V_{\text{FB}}$	Feedback voltage			1		V
	Accuracy		-3%		3%	
$V_{\text{DDH\_OUT}}$	Output voltage range	$V_{\text{SET}} = 22\text{ V}$ , $I_{\text{LOAD}} = 2\text{ mA}$	21	22	23	V
$I_{\text{LOAD}}$	Load current range				10	mA
$f_{\text{SW}}$	Switching frequency			560		KHz



## Electrical Characteristics (continued)

 $V_{IN} = 3.7\text{ V}$ ,  $T_A = -10^\circ\text{C}$  to  $85^\circ\text{C}$ , Typical values are at  $T_A = 25^\circ\text{C}$  (unless otherwise noted)

PARAMETER		TEST CONDITIONS	MIN	TYP	MAX	UNIT
$C_D$	Recommended driver capacitor			10		nF
$C_O$	Recommended output capacitor			4.7		$\mu\text{F}$
<b>CP2 (VEE) NEGATIVE CHARGE PUMP</b>						
$V_{EE\_IN}$	Input voltage range		-17.75	-17	-16.15	V
$V_{FB}$	Feedback voltage			-1		V
	Accuracy		-3%		3%	
$V_{EE\_OUT}$	Output voltage range	$V_{SET} = -20\text{ V}$ , $I_{LOAD} = 3\text{ mA}$	-21	-20	-19	V
$I_{LOAD}$	Load current range				12	mA
$f_{SW}$	Switching frequency			560		KHz
$C_D$	Recommended driver capacitor			10		nF
$C_O$	Recommended output capacitor			4.7		$\mu\text{F}$
<b>THERMISTOR MONITOR<sup>(1)</sup></b>						
$A_{TMS}$	Temperature to voltage ratio	Not tested in production		-0.0158		$\text{V}/^\circ\text{C}$
Offset <sub>TMS</sub>	Offset	Temperature = $0^\circ\text{C}$		1.575		V
$V_{TMS\_HOT}$	Temp hot trip voltage (T = $50^\circ\text{C}$ )	TEMP_HOT_SET = 0x8C		0.768		V
$V_{TMS\_COOL}$	Temp hot escape voltage (T = $45^\circ\text{C}$ )	TEMP_COOL_SET = 0x82		0.845		V
$V_{TMS\_MAX}$	Maximum input level			2.25		V
$R_{NTC\_PU}$	Internal pull up resistor			7.307		K $\Omega$
$R_{LINEAR}$	External linearization resistor			43		K $\Omega$
ADC <sub>RES</sub>	ADC resolution	Not tested in production, 1 bit		16.1		mV
ADC <sub>DEL</sub>	ADC conversion time	Not tested in production		19		$\mu\text{s}$
TMST <sub>TOL</sub>	Accuracy	Not tested in production	-1		1	LSB
<b>LOGIC LEVELS AND TIMING CHARACTERISTICS (SCL, SDA, PWR_GOOD, PWRx, WAKEUP)</b>						
$V_{OL}$	Output low threshold level	$I_O = 3\text{ mA}$ , sink current (SDA, PWR_GOOD)			0.4	V
$V_{IL}$	Input low threshold level				0.4	V
$V_{IH}$	Input high threshold level		1.2			V
$I_{(bias)}$	Input bias current	$V_{IO} = 1.8\text{ V}$			1	$\mu\text{A}$
$t_{low\_WAKEUP}$	WAKEUP low time	minimum low time for WAKEUP pin	150			ms
$f_{SCL}$	SCL clock frequency				400	KHz
<b>OSCILLATOR</b>						
$f_{OSC}$	Oscillator frequency			9		MHz
	Frequency accuracy	$T_A = -40^\circ\text{C}$ to $85^\circ\text{C}$	-10%		10%	
<b>THERMAL SHUTDOWN</b>						
$T_{SHTDWN}$	Thermal trip point			150		$^\circ\text{C}$
	Thermal hysteresis			20		$^\circ\text{C}$

(1) 10-K $\Omega$  Murata NCP18XH103F03RB thermistor (1%) in parallel with a linearization resistor (43 K $\Omega$ , 1%) are used at TS pin for panel temperature measurement.

## 7.6 Data Transmission Timing

$V_{BAT} = 3.6\text{ V} \pm 5\%$ ,  $T_A = 25^\circ\text{C}$ ,  $C_L = 100\text{ pF}$  (unless otherwise noted)

		MIN	NOM	MAX	UNIT
$f_{(SCL)}$	Serial clock frequency	100		400	KHz
$t_{HD;STA}$	Hold time (repeated) START condition. After this period, the first clock pulse is generated.	SCL = 100 KHz	4		$\mu\text{s}$
		SCL = 400 KHz	600		ns
$t_{LOW}$	LOW period of the SCL clock	SCL = 100 KHz	4.7		$\mu\text{s}$
		SCL = 400 KHz	1.3		
$t_{HIGH}$	HIGH period of the SCL clock	SCL = 100 KHz	4		$\mu\text{s}$
		SCL = 400 KHz	600		ns
$t_{SU;STA}$	Set-up time for a repeated START condition	SCL = 100 KHz	4.7		$\mu\text{s}$
		SCL = 400 KHz	600		ns
$t_{HD;DAT}$	Data hold time	SCL = 100 KHz	0	3.45	$\mu\text{s}$
		SCL = 400 KHz	0	900	ns
$t_{SU;DAT}$	Data set-up time	SCL = 100 KHz	250		ns
		SCL = 400 KHz	100		
$t_r$	Rise time of both SDA and SCL signals	SCL = 100 KHz		1000	ns
		SCL = 400 KHz		300	
$t_f$	Fall time of both SDA and SCL signals	SCL = 100 KHz		300	ns
		SCL = 400 KHz		300	
$t_{SU;STO}$	Set-up time for STOP condition	SCL = 100 KHz	4		$\mu\text{s}$
		SCL = 400 KHz	600		ns
$t_{BUF}$	Bus Free Time Between Stop and Start Condition	SCL = 100 KHz	4.7		$\mu\text{s}$
		SCL = 400 KHz	1.3		
$t_{SP}$	Pulse width of spikes which must be suppressed by the input filter	SCL = 100 KHz	n/a	n/a	ns
		SCL = 400 KHz	0	50	
$C_b$	Capacitive load for each bus line	SCL = 100 KHz		400	pF
		SCL = 400 KHz		400	

## 7.7 Typical Characteristics

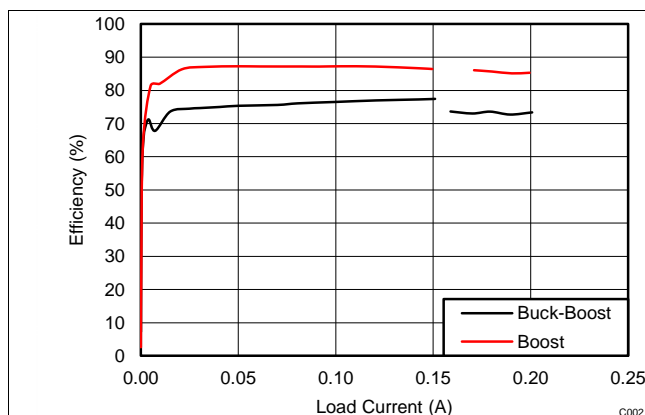


Figure 1. Efficiency vs Load Current

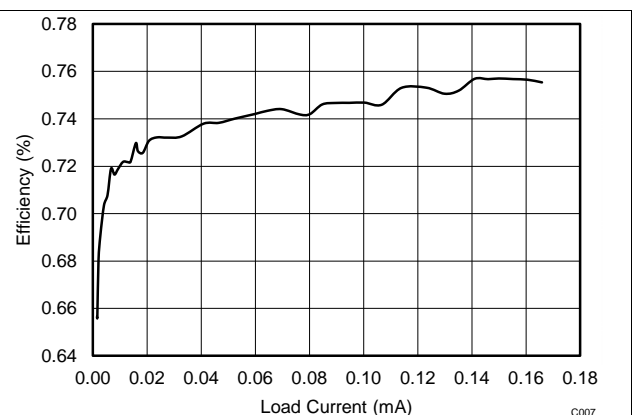


Figure 2. Load Current vs Efficiency

## 8 Detailed Description

### 8.1 Overview

The TPS65182x family of devices provides two adjustable LDOs, inverting buck-boost converter, boost converter, thermistor monitoring, and flexible power-up and power-down sequencing. The system can be supplied by a regulated input voltage ranging from 3 V to 6 V. The device is characterized across a  $-10^{\circ}\text{C}$  to  $85^{\circ}\text{C}$  temperature range, best suited for personal electronic applications.

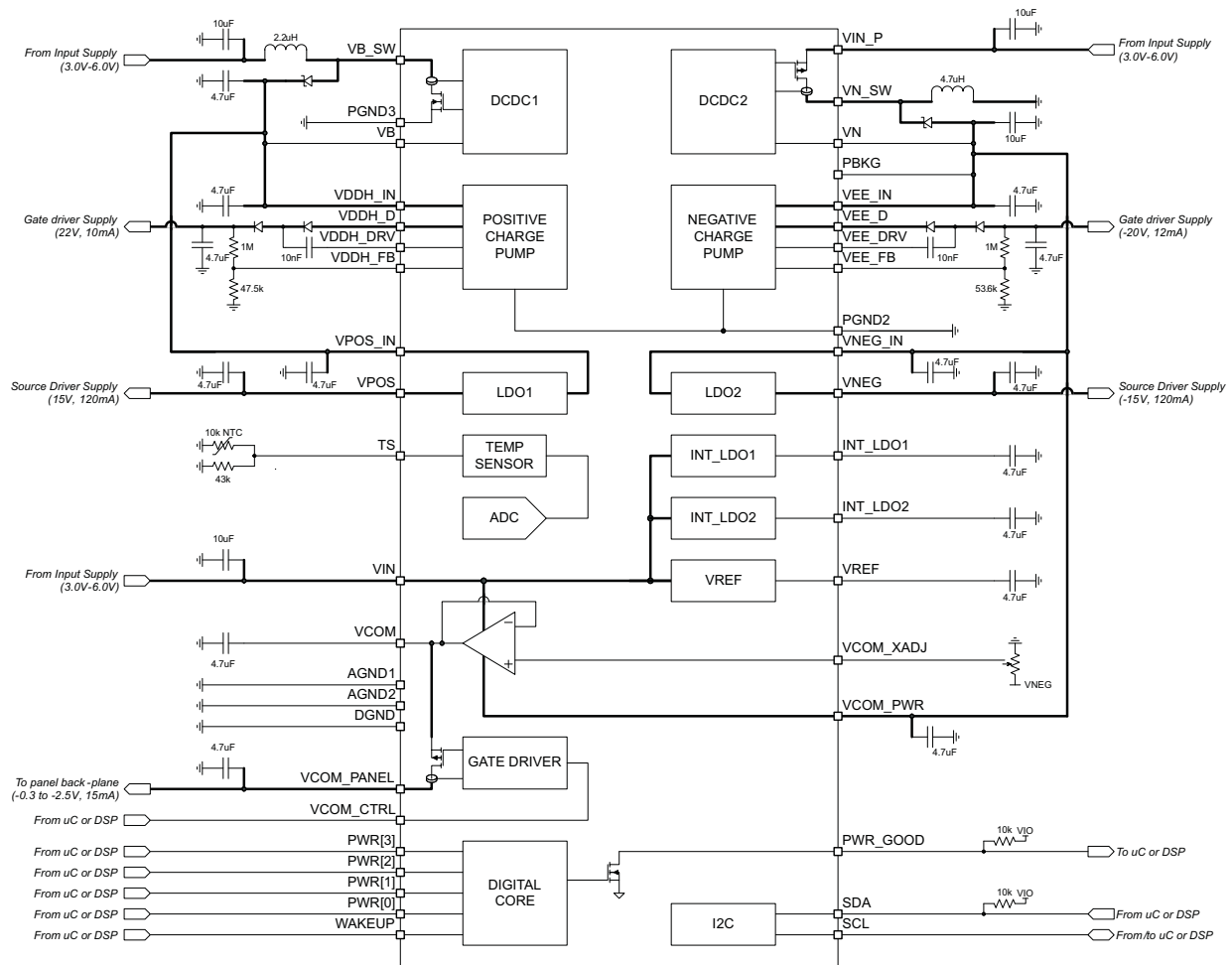
The I<sup>2</sup>C interface provides comprehensive features for using the TPS65182x family of devices. All rails can be enabled or disabled. Power-up and power-down sequences can also be programmed through the I<sup>2</sup>C interface, as well as thermistor and interrupt configurations. Voltage adjustment can also be controlled through the I<sup>2</sup>C interface.

The adjustable LDOs can supply up to 120 mA of current. The default output voltages for each LDO can be adjusted through the I<sup>2</sup>C interface. LDO1 (VPOS) and LDO2 (VNEG) track each other in a way that they are of opposite sign, but same magnitude. The sum of VLDO1 and VLDO2 is guaranteed to be less than 50 mV.

There are two charge pumps: VDDH and VEE 10 mA and 12 mA respectively. These charge pumps boost the DC-DC boost converters  $\pm 16\text{-V}$  rails to provide a gate channel supply. The power good functionality is open-drain output, if any of the four power rails (CP1, CP2, LDO1, LDO2) are not in regulation, encounters a fault, or is disabled, the pin is pulled low. PWR\_GOOD remains low if one of the rails is not enabled by the host, and only after all rails are in regulation, PWR\_GOOD is released to HiZ state (pulled up by external resistor).

The TPS65182x family of devices provides circuitry to bias and measure an external NTC to monitor the display panel temperature in a range from  $-10^{\circ}\text{C}$  to  $85^{\circ}\text{C}$  with an accuracy of  $\pm 1^{\circ}\text{C}$  from  $0^{\circ}\text{C}$  to  $50^{\circ}\text{C}$ . Temperature measurements are triggered by the controlling host and the last temperature reading is always stored in the TMST\_VALUE register. Interrupts are issued when the temperature exceeds the programmable HOT, or drops below the programmable COLD threshold, or when the temperature has changed by more than a user-defined threshold from the baseline value.

## 8.2 Functional Block Diagram



## 8.3 Feature Description

### 8.3.1 Modes of Operation

The TPS65182x has three modes of operation, SLEEP, STANDBY, and ACTIVE. SLEEP mode is the lowest-power mode in which all internal circuitry is turned off. In STANDBY, all power rails are shut down but the device is ready to accept commands through PWR[3:0] pins and/or I<sup>2</sup>C interface. In ACTIVE mode one or more power rails are enabled.

**SLEEP** This is the lowest power mode of operation. All internal circuitry is turned off and the device does not respond to I<sup>2</sup>C communications. TPS65182x enters SLEEP mode whenever WAKEUP pin is pulled low.

**STANDBY** In STANDBY all internal support circuitry is powered up and the device is ready to accept commands either through GPIO or I<sup>2</sup>C control but none of the power rails are enabled. To enter STANDBY mode the WAKEUP pin must be pulled high and all PWRx pins must be pulled low. The device also enters STANDBY mode if input under voltage lock out (UVLO), positive boost under voltage (VB\_UV), or inverting buck-boost under voltage (VN\_UV) is detected, or thermal shutdown occurs.

**ACTIVE** The device is in ACTIVE mode when any of the output rails are enabled and no fault condition is present. This is the normal mode of operation while the device is powered up. In ACTIVE mode, a falling edge on any PWRx pin shuts down and a rising edge powers up the corresponding rail.

Feature Description (continued)

8.3.2 Mode Transitions

**SLEEP** → **ACTIVE** WAKEUP pin is pulled high (rising edge) with any PWRx pin high. Rails come up in a pre-defined power-up sequence.

**SLEEP** → **STANDBY** WAKEUP pin is pulled high (rising edge) with all PWRx pins low. Rails will remain down until one or more PWRx pin is pulled high.

**ACTIVE** → **SLEEP** WAKEUP pin is pulled low (falling edge). Rails are shut down following the pre-defined power-down sequence.

**ACTIVE** → **STANDBY** WAKEUP pin is high. All PWRx pins are pulled low (falling edge). Rails shut down in the order in which PWRx pins are pulled low. In the event of thermal shut down (TSD), under voltage lock out (UVLO), positive boost or inverting buck-boost under voltage (UV), the device shuts down all rails in a pre-defined power-down sequence.

**STANDBY** → **ACTIVE** WAKEUP pin is high and any PWRx pin is pulled high (rising edge). Rails come up in the same order as PWRx pins are pulled high.

**STANDBY** → **SLEEP** WAKEUP pin is pulled low (falling edge) while none of the output rails are enabled.

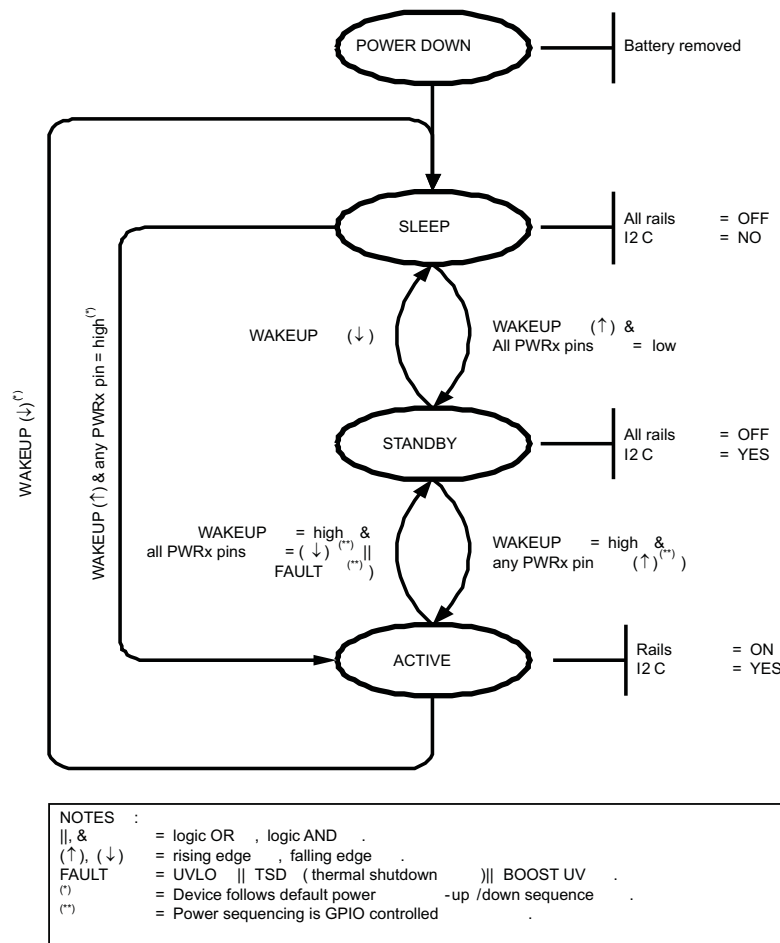


Figure 3. Global State Diagram

## Feature Description (continued)

### 8.3.3 Wake-Up and Power Up Sequencing

The TPS65182x supports a default power-up sequence supporting E Ink Vizplex displays. It also offers full user control of the power-up sequence through GPIO control using the PWR3, 2, 1, 0 pins. Using GPIO control, the output rails are enabled/disabled in the order in which the PWRx pins are asserted/de-asserted, respectively, and the power-up timing is controlled by the host only. Rails are in regulation 2 ms after their respective PWRx pin has been asserted with the exception of the first rail, which takes 6 ms to power up. The additional time is needed to power up the positive and inverting buck-boost regulator which need to be turned on before any other rail can be enabled. Once all rails are enabled and in regulation the PWR\_GOOD pin is released (pin status = HiZ and power good line is pulled high by external pull-up resistor). The PWRx pins are assigned to the rails as follows:

- PWR0: LDO2 (VNEG) and VCOM
- PWR1: CP2 (VEE)
- PWR3: LDO2 (VPOS)
- PWR4: CP1 (VDDH)

Rails are powered down whenever the host de-asserts the respective PWRx pin, and once all rails are disabled the device enters STANDBY mode. The next step is then to de-assert the WAKEUP pin to enter SLEEP mode which is the lowest-power mode of operation.

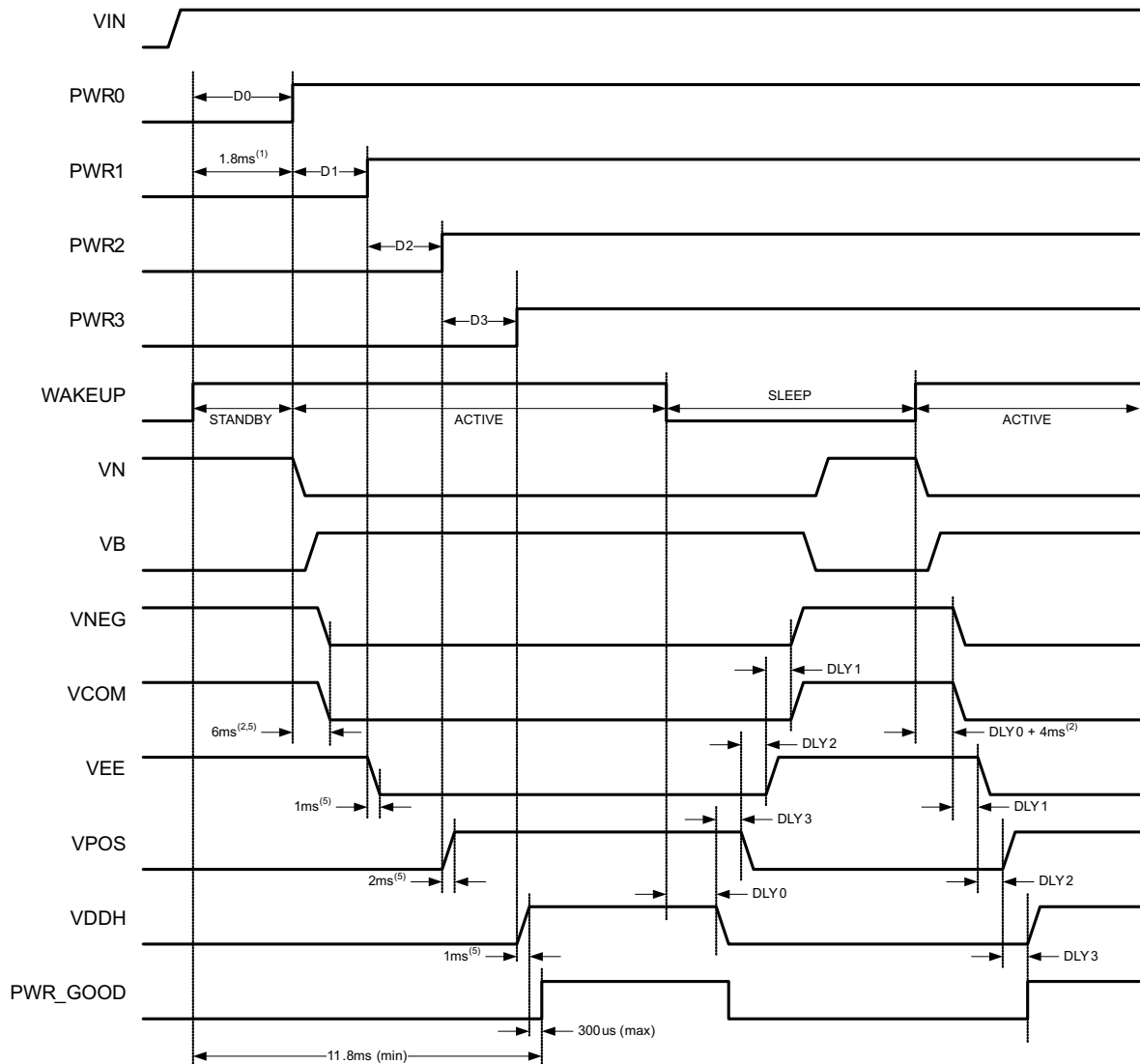
It is possible for the host to force the TPS65182x directly into SLEEP mode from ACTIVE mode by de-asserting the WAKEUP pin in which case the device follows the pre-defined power-down sequence before entering SLEEP mode.

### 8.3.4 Dependencies Between Rails

Charge pumps, LDOs, and VCOM driver are dependent on the positive and inverting buck-boost converters and several dependencies exist that affect the power-up sequencing. These dependencies are listed below.

1. Inverting buck-boost (DCDC2) must be in regulation before positive boost (DCDC1) can be enabled. Internally, DCDC1 enable is gated by DCDC2 power good.
2. Positive boost (DCDC1) must be in regulation before LDO2 (VNEG) can be enabled. Internally LDO2 enable is gated DCDC1 power-good.
3. Positive boost (DCDC1) must be in regulation before VCOM can be enabled; Internally VCOM enable is gated by DCDC1 power good.
4. Positive boost (DCDC1) must be in regulation before negative charge pump (CP2) can be enabled. Internally CP2 enable is gated by DCDC1 power good.
5. Positive boost (DCDC1) must be in regulation before positive charge pump (CP1) can be enabled. Internally CP1 enable is gated by DCDC1 power good.
6. LDO2 must be in regulation before LDO1 can be enabled. Internally LDO1 enable is gated by LDO2 power good.
7. The minimum delay time between any two PWRx pins must be > 62.5  $\mu$ s in order to follow the power up sequence defined by GPIO control. If any two PWRx pins are pulled up together (< 62.5  $\mu$ s apart) rails will be staggered in a manner that a subsequent rail's enable is gated by PG of a preceding rail. In this case, the default order of power-up is LDO2 (VNEG), CP2 (VEE), LDO1 (VPOS), and CP1(VDDH). If any two PWRx pins are pulled low then all rails will go down at the same time.

Feature Description (continued)



- (1) Minimum delay time between WAKEUP rising edge and IC ready to accept I<sup>2</sup>C transaction.
- (2) It takes 2ms minimum for each internal boost regulator to start up before VNEG can be enabled.
- (5) It takes up to 2ms for LDOs (VPOS, VNEG) and 1ms for charge pumps (VDDH, VEE), to reach their steady state after being enabled. DLY0-DLY3 are power up/down delays are factory-set to 2ms.

Figure 4. Power-Up and Power-Down Timing Diagram

8.3.5 Soft-Start

Softstart for DCDC1, DCDC2, LDO1, and LDO2 is accomplished by lowering the current limits during start-up. If DCDC1 or DCDC2 are unable to reach power-good status within 10 ms, the device enters STANDBY mode.

8.3.6 VCOM Adjustment

VCOM can be adjusted by an external potentiometer by connecting a potentiometer to the VCOM\_XADJ pin. The potentiometer must be connected between ground and a negative supply. The gain from VCOM\_XADJ to VCOM is 1 and therefore the voltage applied to VCOM\_XADJ pin should range from -0.3 to -2.5V.

8.3.7 VPOS and VNEG Supply Tracking

LDO1 (VPOS) and LDO2 (VNEG) track each other in a way that they are of opposite sign but same magnitude. The sum of VLDO1 and VLDO2 is guaranteed to be < 50 mV.

## Feature Description (continued)

### 8.3.8 Fault Handling and Recovery

The TPS65182x monitors input and output voltages and die temperature and will take action if operating conditions are outside normal limits. Whenever the TPS65182x encounters:

- Thermal Shutdown (TSD)
- Positive Boost Under Voltage (VB\_UV)
- Inverting Buck-Boost Under Voltage (VN\_UV)
- Input Under Voltage Lock Out (UVLO)

it will shut down all power rails and enter STANDBY mode. Shut down follows the pre-defined power-down sequence and once a fault is detected, the PWR\_GOOD pin is pulled low.

Whenever the TPS65182x encounters under voltage on VNEG (VNEG\_UV), VPOS (VPOS\_UV), VEE (VEE\_UV) or VDDH (VDDH\_UV) it will shut down the corresponding rail (plus any dependent rail) only and remain in ACTIVE mode, allowing the DCDC converters to remain up. Again, the PWR\_GOOD pin will be pulled low.

As the PWRx inputs are edge sensitive, the host must toggle the PWRx pins to re-enable the rails through GPIO control, i.e. it must bring the PWRx pins low before asserting them again.

### 8.3.9 Power Good Pin

The power good pin (PWR\_GOOD) is an open drain output that is pulled high when all four power rails (CP1, CP2, LDO1, LDO2) are in regulation and is pulled low if any of the rails encounters a fault. PWR\_GOOD remains low if one of the rails is not enabled by the host and only after all rails are in regulation PWR\_GOOD is released to HiZ state (pulled up by external resistor).

### 8.3.10 Panel Temperature Monitoring

The TPS65182x provides circuitry to bias and measure an external negative temperature coefficient resistor (NTC) to monitor device temperature in a range from  $-10^{\circ}\text{C}$  to  $85^{\circ}\text{C}$  with an accuracy of  $\pm 1^{\circ}\text{C}$  from  $0^{\circ}\text{C}$  to  $50^{\circ}\text{C}$ . Temperature reading is automatically updated every 60 s.

### 8.3.11 NTC Bias Circuit

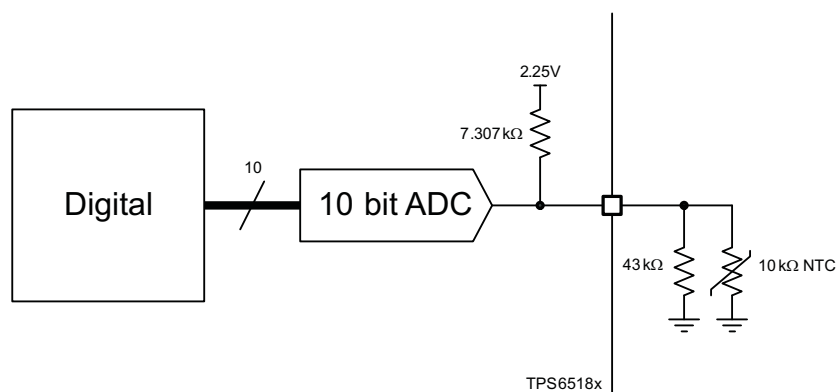
[Figure 5](#) below shows the block diagram of the NTC bias and measurement circuit. The NTC is biased from an internally generated 2.25-V reference voltage through an integrated 7.307-K $\Omega$  bias resistor. A 43-K $\Omega$  resistor is connected parallel to the NTC to linearize the temperature response curve. The circuit is designed to work with a nominal 10-K $\Omega$  NTC and achieves accuracy of  $\pm 1^{\circ}\text{C}$  from  $0^{\circ}\text{C}$  to  $50^{\circ}\text{C}$ . The voltage drop across the NTC is digitized by a 10-bit SAR ADC and translated into an 8-bit two's complement by digital per [Table 1](#).



## Feature Description (continued)

**Table 1. ADC Output Value vs Temperature**

TEMPERATURE	TMST_VALUE[7:0]
< -10°C	1111 0110
-10°C	1111 0110
-9°C	1111 0111
...	...
-2°C	1111 1110
-1°C	1111 1111
0°C	0000 0000
1°C	0000 0001
2°C	0000 0010
...	...
25°C	0001 1001
...	...
85°C	0101 0101
> 85°C	0101 0101


**Figure 5. NTC Bias and Measurement Circuit**

## 8.4 Device Functional Modes

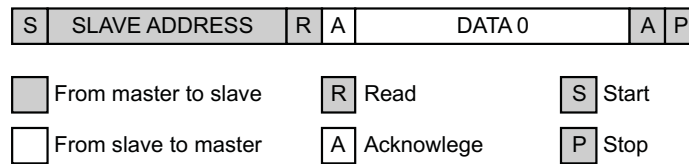
### 8.4.1 I<sup>2</sup>C Bus Operation

The TPS65182x supports a special I<sup>2</sup>C mode making it compatible with the EPSON® Broadsheet S1D13521 timing controller. Standard I<sup>2</sup>C protocol requires the following steps to read data from a register:

1. Send device slave address, R/nW bit set low (write command)
2. Send register address
3. Send device slave address, R/nW set high (read command)
4. The slave will respond with data from the specified register address. end device slave address, R/nW set high (read command).

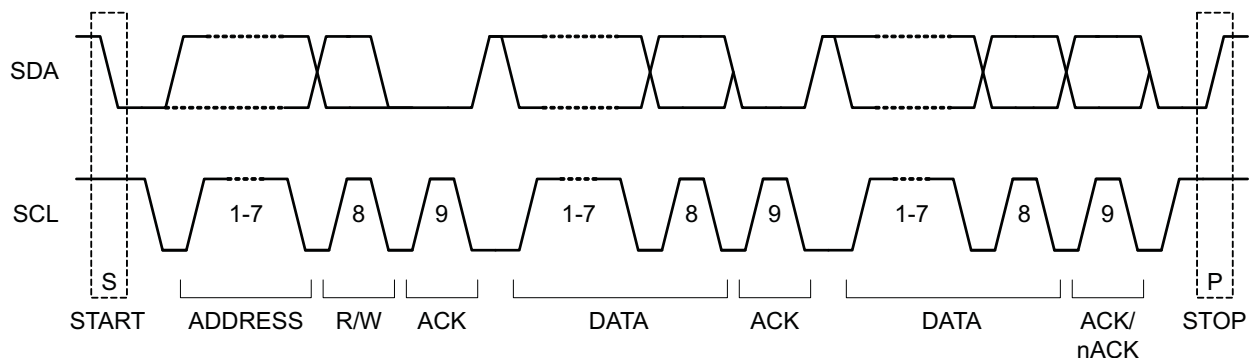
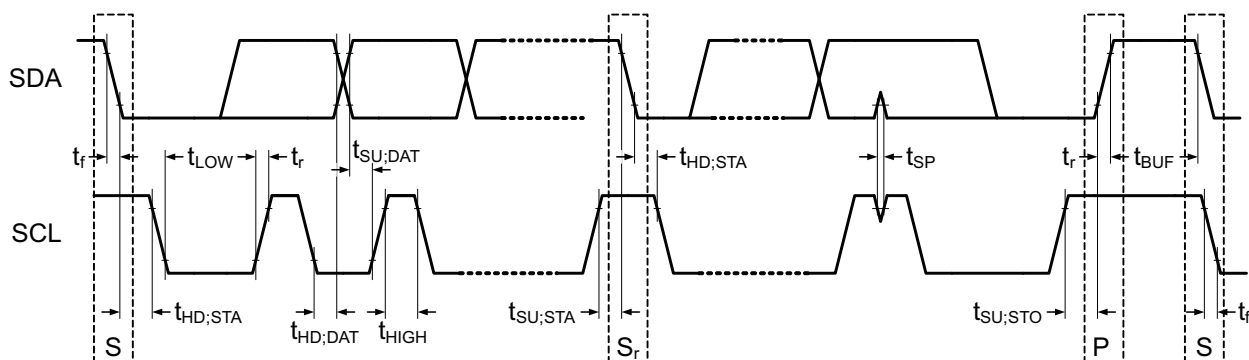
The EPSON® Broadsheet S1D13521 controller does not support I<sup>2</sup>C writes nor I<sup>2</sup>C reads from addressed registers, therefore the TPS65182x I<sup>2</sup>C interface has been modified and the reading the temperature data is reduced to two steps:

1. Send device address, R/nW set high (read command)
2. Read the data from the slave. The slave will respond with data from TMST\_VALUE register address.

**Device Functional Modes (continued)**

**Figure 6. Subaddress in I<sup>2</sup>C Transmission**

The I<sup>2</sup>C Bus is a communications link between a controller and a series of slave terminals. The link is established using a two-wired bus consisting of a serial clock signal (SCL) and a serial data signal (SDA). The serial clock is sourced from the controller in all cases where the serial data line is bi-directional for data communication between the controller and the slave terminals. Each device has an open Drain output to transmit data on the serial data line. An external pull-up resistor must be placed on the serial data line to pull the drain output high during data transmission.

Data transmission is initiated with a start bit from the controller as shown in Figure 7. The start condition is recognized when the SDA line transitions from high to low during the high portion of the SCL signal. Upon reception of a start bit, the device will receive serial data on the SDA input and check for valid address and control information. If the appropriate group and address bits are set for the device, then the device will issue an acknowledge pulse and prepare the receive subaddress data. Subaddress data is decoded and responded to as per the Register Map section of this document. Data transmission is completed by either the reception of a stop condition or the reception of the data word sent to the device. A stop condition is recognized as a low to high transition of the SDA input during the high portion of the SCL signal. All other transitions of the SDA line must occur during the low portion of the SCL signal. An acknowledge is issued after the reception of valid address, sub-address and data words. Reference Figure 7.


**Figure 7. I<sup>2</sup>C Start/Stop/Acknowledge Protocol**

**Figure 8. I<sup>2</sup>C Data Transmission Timing**

## 8.5 Register Maps

**Table 2. Register Address Map**

REGISTER	ADDRESS (HEX)	NAME	DEFAULT VALUE	DESCRIPTION
0	0x00	TMST_VALUE	N/A	Thermistor value read by ADC

### 8.5.1 Thermistor Readout (TMST\_VALUE) Register (offset = 0x00h)

DATA BIT	D7	D6	D5	D4	D3	D2	D1	D0
FIELD NAME	TMST_VALUE[7:0]							
READ/WRITE	R	R	R	R	R	R	R	R
RESET VALUE	N/A	N/A	N/A	N/A	N/A	N/A	N/A	N/A

FIELD NAME	BIT DEFINITION
TMST_VALUE[7:0]	Temperature read-out 1111 0110 – < -10°C 1111 0110 – -10°C 1111 0111 – -9°C ... 1111 1110 – -2°C 1111 1111 – -1 °C 0000 0000 – 0 °C 0000 0001 – 1°C 0000 0010 – 2°C ... 0001 1001 – 25°C ... 0101 0101 – 85°C 0101 0101 – > 85°C

## 9 Application and Implementation

### NOTE

Information in the following applications sections is not part of the TI component specification, and TI does not warrant its accuracy or completeness. TI's customers are responsible for determining suitability of components for their purposes. Customers should validate and test their design implementation to confirm system functionality.

### 9.1 Application Information

The TPS65185 device is used to power display screens in E-book applications, specifically E-Ink Vizplex display, by connecting the screen to the positive and negative charge pump, LDOs 1 and 2, and VCOM rails. The display screens size that can be supported up to 9.7 inches.

### 9.2 Typical Application

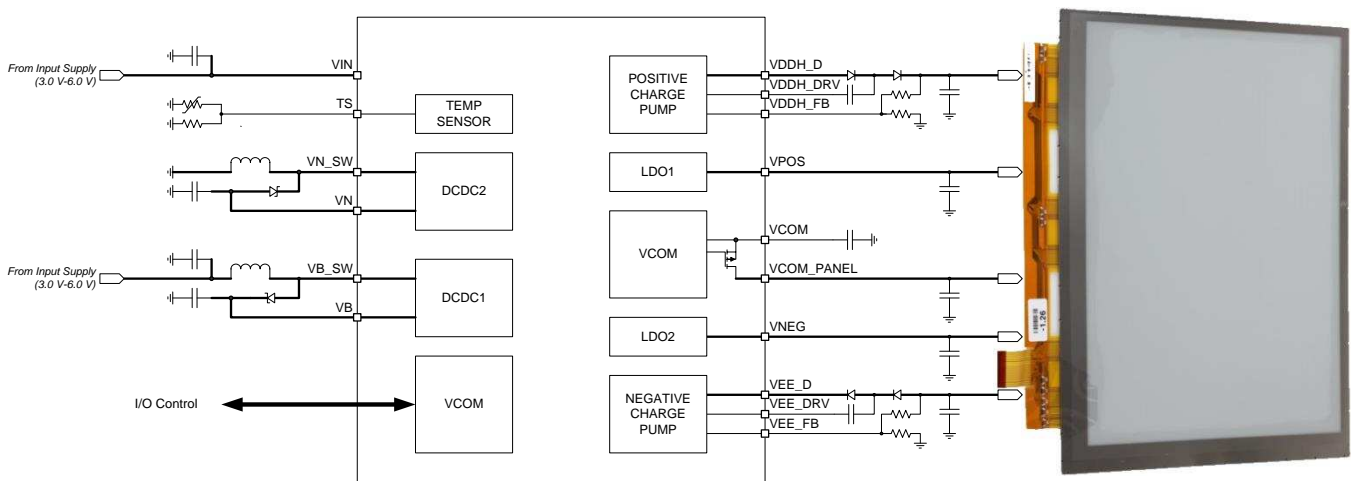


Figure 9. Typical Application Schematic

#### 9.2.1 Design Requirements

For this design example, use the parameters listed in [Table 3](#) as the input parameters.

Table 3. Design Parameters

	VOLTAGE	SEQUENCE (STROBE)
VNEG (LDO2)	-15 V	1
VEE (Charge pump 2)	-20 V	2
VPOS (LDO1)	15 V	3
VDDH (Charge pump 1)	22 V	4

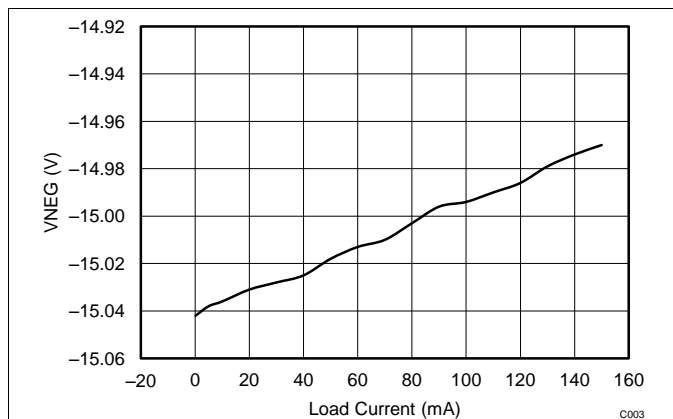
#### 9.2.2 Detailed Design Procedure

For the positive boost regulator (DCDC1) a 10- $\mu$ F capacitor can be used as the input capacitor value; two 4.7- $\mu$ F capacitor are used as output capacitors to reduce ESR along with a 2.2- $\mu$ H inductor. For the inverting buck-boost regulator (DCDC2), an 10- $\mu$ F capacitor can be used at the input capacitor value; A 10- $\mu$ F and 4.7- $\mu$ F capacitor are used as output capacitors to reduce ESR, with a 4.7- $\mu$ H inductor. Capacitor ESR for all capacitors should be around 20 m $\Omega$ , and ceramic X5R material. These are the typical values used, additional inductor and capacitor values can be used for improved functionality, but the parts should be rated the same as the recommended external components listed in [Table 4](#).

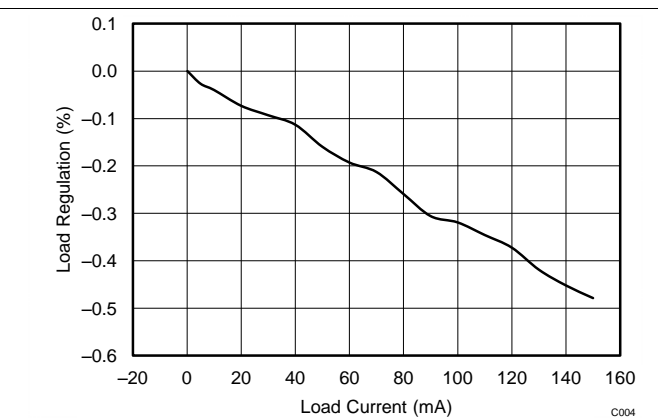
**Table 4. Recommended External Components**

PART NUMBER	VALUE	SIZE	MANUFACTURER
<b>INDUCTORS</b>			
LQH44PN4R7MP0	4.7 $\mu$ H	4 mm $\times$ 4 mm $\times$ 1.65 mm	Murata
NR4018T4R7M	4.7 $\mu$ H	4 mm $\times$ 4 mm $\times$ 1.8 mm	Taiyo Yuden
VLS252015ET-2R2M	2.2 $\mu$ H	2 mm $\times$ 2.5 mm $\times$ 1.5 mm	TDK
NR4012T2R2M	2.2 $\mu$ H	4 mm $\times$ 4 mm $\times$ 1.2 mm	Taiyo Yuden
<b>CAPACITORS</b>			
GRM21BC81E475KA12L	4.7 $\mu$ F, 25 V, X6S	805	Murata
GRM32ER71H475KA88L	4.7 $\mu$ F, 50 V, X7R	1210	Murata
All other capacitors	X5R or better	—	—
<b>DIODES</b>			
BAS3010	—	SOD-323	Infineon
MBR130T1	—	SOD-123	ON-Semi
BAV99	—	SOT-23	Fairchild
<b>THERMISTOR</b>			
NCP18XH103F03RB	10 k $\Omega$	603	Murata

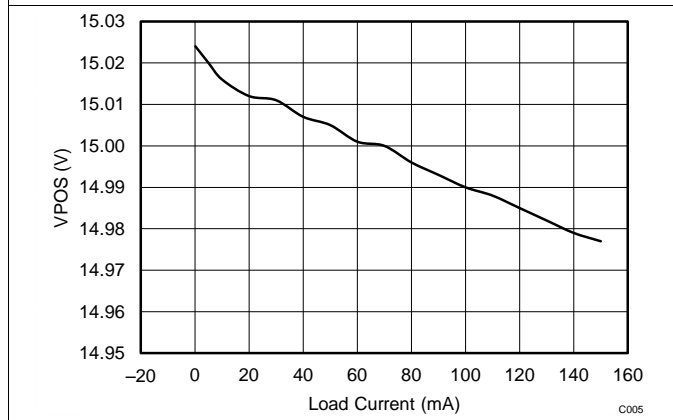
**9.2.3 Application Curves**



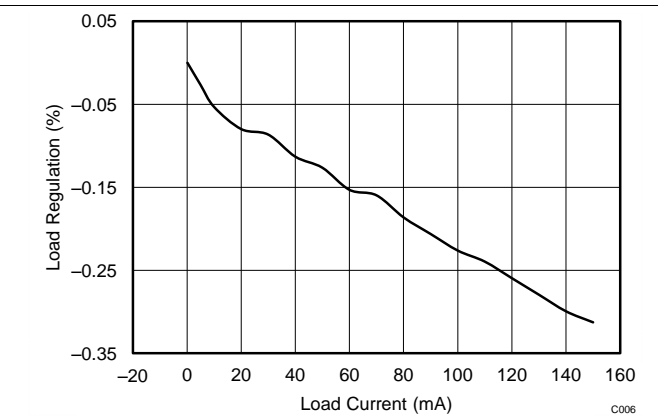
**Figure 10. Load Current vs VNEG**



**Figure 11. Load Current vs Load Regulation**



**Figure 12. Load Current vs VPOS**



**Figure 13. Load Current vs Load Regulation**

## 10 Power Supply Recommendations

The device is designed to operate with an input voltage supply range from 3 V to 6 V. This input supply can be from an externally regulated supply. If the input supply is located more than a few inches from the TPS65185, additional bulk capacitance may be required in addition to the ceramic bypass capacitors. An electrolytic capacitor with a value of 10  $\mu$ F is a typical choice.

## 11 Layout

### 11.1 Layout Guidelines

The layout guidelines for TPS65182x are as follows:

- PBKG (Die substrate must connect to VN ( $-16$  V) with short, wide trace. Wide copper trace will improve heat dissipation.
- Power pad is internally connected to PBKG and must be connected to ground, but connected to VN with a short wide copper trace.
- Inductor traces must be kept on the PCB top layer free of any vias.
- Feedback traces must be routed away from any potential noise source to avoid coupling.
- Output caps must be placed immediately at output pin.
- VIN pins must be bypassed to ground with low ESR ceramic bypass capacitors.

## 11.2 Layout Example

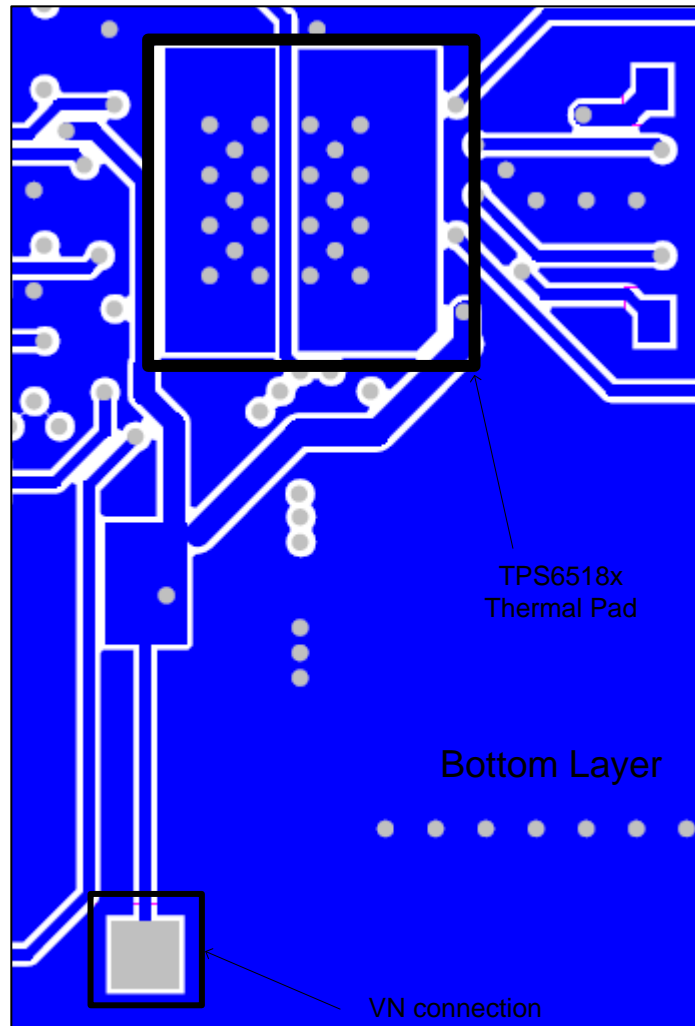


Figure 14. Typical Layout of TPS6518x

## 12 Device and Documentation Support

### 12.1 Related Links

The table below lists quick access links. Categories include technical documents, support and community resources, tools and software, and quick access to sample or buy.

**Table 5. Related Links**

PARTS	PRODUCT FOLDER	SAMPLE & BUY	TECHNICAL DOCUMENTS	TOOLS & SOFTWARE	SUPPORT & COMMUNITY
TPS65182	<a href="#">Click here</a>	<a href="#">Click here</a>	<a href="#">Click here</a>	<a href="#">Click here</a>	<a href="#">Click here</a>
TPS65182B	<a href="#">Click here</a>	<a href="#">Click here</a>	<a href="#">Click here</a>	<a href="#">Click here</a>	<a href="#">Click here</a>

### 12.2 Community Resources

The following links connect to TI community resources. Linked contents are provided "AS IS" by the respective contributors. They do not constitute TI specifications and do not necessarily reflect TI's views; see TI's [Terms of Use](#).

**TI E2E™ Online Community** *TI's Engineer-to-Engineer (E2E) Community*. Created to foster collaboration among engineers. At [e2e.ti.com](http://e2e.ti.com), you can ask questions, share knowledge, explore ideas and help solve problems with fellow engineers.

**Design Support** *TI's Design Support* Quickly find helpful E2E forums along with design support tools and contact information for technical support.

### 12.3 Trademarks

OMAP, E2E are trademarks of Texas Instruments.  
 Vizplex is a trademark of E Ink Corporation.  
 E Ink is a registered trademark of E Ink Corporation.  
 EPSON is a registered trademark of Seiko Epson Corporation.  
 All other trademarks are the property of their respective owners.

### 12.4 Electrostatic Discharge Caution



These devices have limited built-in ESD protection. The leads should be shorted together or the device placed in conductive foam during storage or handling to prevent electrostatic damage to the MOS gates.

### 12.5 Glossary

[SLYZ022](#) — *TI Glossary*.

This glossary lists and explains terms, acronyms, and definitions.

## 13 Mechanical, Packaging, and Orderable Information

The following pages include mechanical, packaging, and orderable information. This information is the most current data available for the designated devices. This data is subject to change without notice and revision of this document. For browser-based versions of this data sheet, refer to the left-hand navigation.



**PACKAGING INFORMATION**

Orderable part number	Status (1)	Material type (2)	Package   Pins	Package qty   Carrier	RoHS (3)	Lead finish/ Ball material (4)	MSL rating/ Peak reflow (5)	Op temp (°C)	Part marking (6)
<a href="#">TPS65182BRGZR</a>	Active	Production	VQFN (RGZ)   48	2500   LARGE T&R	Yes	NIPDAU	Level-3-260C-168 HR	-10 to 85	E INK TPS65182B
TPS65182BRGZR.B	Active	Production	VQFN (RGZ)   48	2500   LARGE T&R	Yes	NIPDAU	Level-3-260C-168 HR	-10 to 85	E INK TPS65182B
<a href="#">TPS65182BRGZT</a>	Active	Production	VQFN (RGZ)   48	250   SMALL T&R	Yes	NIPDAU	Level-3-260C-168 HR	-10 to 85	E INK TPS65182B
TPS65182BRGZT.B	Active	Production	VQFN (RGZ)   48	250   SMALL T&R	Yes	NIPDAU	Level-3-260C-168 HR	-10 to 85	E INK TPS65182B

(1) **Status:** For more details on status, see our [product life cycle](#).

(2) **Material type:** When designated, preproduction parts are prototypes/experimental devices, and are not yet approved or released for full production. Testing and final process, including without limitation quality assurance, reliability performance testing, and/or process qualification, may not yet be complete, and this item is subject to further changes or possible discontinuation. If available for ordering, purchases will be subject to an additional waiver at checkout, and are intended for early internal evaluation purposes only. These items are sold without warranties of any kind.

(3) **RoHS values:** Yes, No, RoHS Exempt. See the [TI RoHS Statement](#) for additional information and value definition.

(4) **Lead finish/Ball material:** Parts may have multiple material finish options. Finish options are separated by a vertical ruled line. Lead finish/Ball material values may wrap to two lines if the finish value exceeds the maximum column width.

(5) **MSL rating/Peak reflow:** The moisture sensitivity level ratings and peak solder (reflow) temperatures. In the event that a part has multiple moisture sensitivity ratings, only the lowest level per JEDEC standards is shown. Refer to the shipping label for the actual reflow temperature that will be used to mount the part to the printed circuit board.

(6) **Part marking:** There may be an additional marking, which relates to the logo, the lot trace code information, or the environmental category of the part.

Multiple part markings will be inside parentheses. Only one part marking contained in parentheses and separated by a "-" will appear on a part. If a line is indented then it is a continuation of the previous line and the two combined represent the entire part marking for that device.

**Important Information and Disclaimer:** The information provided on this page represents TI's knowledge and belief as of the date that it is provided. TI bases its knowledge and belief on information provided by third parties, and makes no representation or warranty as to the accuracy of such information. Efforts are underway to better integrate information from third parties. TI has taken and continues to take reasonable steps to provide representative and accurate information but may not have conducted destructive testing or chemical analysis on incoming materials and chemicals. TI and TI suppliers consider certain information to be proprietary, and thus CAS numbers and other limited information may not be available for release.

In no event shall TI's liability arising out of such information exceed the total purchase price of the TI part(s) at issue in this document sold by TI to Customer on an annual basis.



**TAPE AND REEL INFORMATION**

**QUADRANT ASSIGNMENTS FOR PIN 1 ORIENTATION IN TAPE**


\*All dimensions are nominal

Device	Package Type	Package Drawing	Pins	SPQ	Reel Diameter (mm)	Reel Width W1 (mm)	A0 (mm)	B0 (mm)	K0 (mm)	P1 (mm)	W (mm)	Pin1 Quadrant
TPS65182BRGZR	VQFN	RGZ	48	2500	330.0	16.4	7.3	7.3	1.1	12.0	16.0	Q2
TPS65182BRGZT	VQFN	RGZ	48	250	180.0	16.4	7.3	7.3	1.1	12.0	16.0	Q2

**TAPE AND REEL BOX DIMENSIONS**


\*All dimensions are nominal

Device	Package Type	Package Drawing	Pins	SPQ	Length (mm)	Width (mm)	Height (mm)
TPS65182BRGZR	VQFN	RGZ	48	2500	367.0	367.0	38.0
TPS65182BRGZT	VQFN	RGZ	48	250	210.0	185.0	35.0

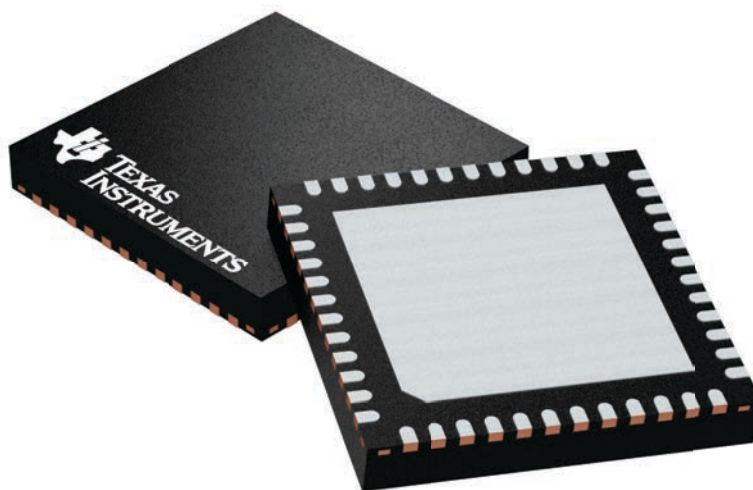
## GENERIC PACKAGE VIEW

**RGZ 48**

**VQFN - 1 mm max height**

7 x 7, 0.5 mm pitch

PLASTIC QUADFLAT PACK- NO LEAD



Images above are just a representation of the package family, actual package may vary.  
Refer to the product data sheet for package details.

4224671/A

## IMPORTANT NOTICE AND DISCLAIMER

TI PROVIDES TECHNICAL AND RELIABILITY DATA (INCLUDING DATASHEETS), DESIGN RESOURCES (INCLUDING REFERENCE DESIGNS), APPLICATION OR OTHER DESIGN ADVICE, WEB TOOLS, SAFETY INFORMATION, AND OTHER RESOURCES "AS IS" AND WITH ALL FAULTS, AND DISCLAIMS ALL WARRANTIES, EXPRESS AND IMPLIED, INCLUDING WITHOUT LIMITATION ANY IMPLIED WARRANTIES OF MERCHANTABILITY, FITNESS FOR A PARTICULAR PURPOSE OR NON-INFRINGEMENT OF THIRD PARTY INTELLECTUAL PROPERTY RIGHTS.

These resources are intended for skilled developers designing with TI products. You are solely responsible for (1) selecting the appropriate TI products for your application, (2) designing, validating and testing your application, and (3) ensuring your application meets applicable standards, and any other safety, security, regulatory or other requirements.

These resources are subject to change without notice. TI grants you permission to use these resources only for development of an application that uses the TI products described in the resource. Other reproduction and display of these resources is prohibited. No license is granted to any other TI intellectual property right or to any third party intellectual property right. TI disclaims responsibility for, and you fully indemnify TI and its representatives against any claims, damages, costs, losses, and liabilities arising out of your use of these resources.

TI's products are provided subject to [TI's Terms of Sale](#), [TI's General Quality Guidelines](#), or other applicable terms available either on [ti.com](http://ti.com) or provided in conjunction with such TI products. TI's provision of these resources does not expand or otherwise alter TI's applicable warranties or warranty disclaimers for TI products. Unless TI explicitly designates a product as custom or customer-specified, TI products are standard, catalog, general purpose devices.

TI objects to and rejects any additional or different terms you may propose.

Copyright © 2025, Texas Instruments Incorporated

Last updated 10/2025