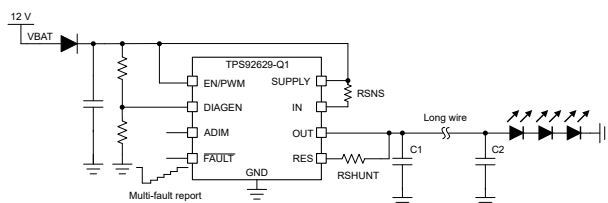


TPS92629-Q1 Single-Channel, Automotive High Side LED Driver With Thermal Sharing Control

1 Features

- AEC-Q100 qualified for automotive applications:
 - Temperature grade 1: -40°C to 125°C , T_A
- Wide input voltage range: 4.5 V to 40 V
- Thermal sharing by external shunt resistor
- Low quiescent current
 - 10 μA with EN low in shutdown mode
 - Low supply current in fault mode
- Single-channel high-precision current regulation:
 - Up to 250-mA output channel current
 - Integrated analog dimming and PWM dimming control
 - $\pm 5\%$ accuracy under PWM dimming mode over full temperature range
 - $\pm 5\%$ accuracy under analog dimming mode for 20%~100% maximum current over full temperature range
 - $\pm 10\%$ accuracy under analog dimming mode for 10%~20% maximum current over full temperature range
- Low dropout voltage:
 - Maximum dropout: 350 mV for 150 mA
 - Maximum dropout: 500 mV for 250 mA
- Diagnostics and protection
 - LED open-circuit with auto-recovery
 - LED short-to-GND with auto-recovery
 - LED short-to-battery with auto-recovery
 - Diagnostic enable with adjustable threshold for low-dropout operation
 - More safe system with multiple fault report capability
 - Thermal shutdown
- Operation junction temperature range: -40°C to 150°C



Typical Application Diagram

2 Applications

- **Automotive exterior small light:** blind spot detection indicator, door handle, charging inlet
- **Automotive interior light:** overhead console, reading lamp
- **Automotive exterior rear light:** rear lamp, center high mounted stop lamp, side marker
- General-purpose LED driver applications

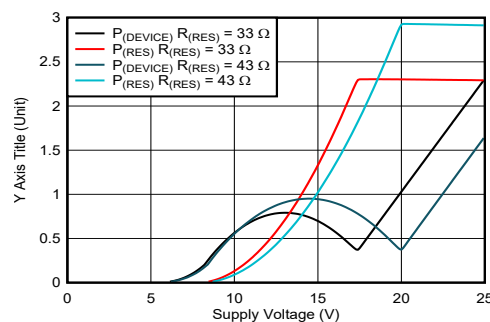
3 Description

The TPS92629-Q1 single-channel LED driver includes a unique thermal management design to reduce temperature rising on the device. The TPS92629-Q1 is a linear driver directly powered by automotive batteries with large voltage variations to output full current loads up to 250 mA. External shunt resistors are leveraged to share output current and dissipate power out of the driver. The device's full-diagnostic capabilities include LED open, LED short-to-GND, LED short-to-battery circuit and device overtemperature protection. The high accuracy and optimized slew rate of analog dimming control supports off board long wire driving with enhanced EMC performance and eliminates the flick and afterimage issue. The multiple fault could be reported out by different voltage levels through fault pins for safety critical applications.

Table 3-1. Device Information

PART NUMBER	PACKAGE ⁽¹⁾	BODY SIZE (NOM)
TPS92629-Q1	HVSSOP (8)	3 mm × 3 mm

(1) For all available packages, see the orderable addendum at the end of the data sheet.



Power Dissipation on Device



Table of Contents

1 Features	1	7.3 Feature Description.....	13
2 Applications	1	7.4 Device Functional Modes.....	22
3 Description	1	8 Application and Implementation	23
4 Revision History	2	8.1 Application Information.....	23
5 Pin Configuration and Functions	3	8.2 Typical Applications.....	23
6 Specifications	4	8.3 Power Supply Recommendations.....	25
6.1 Absolute Maximum Ratings.....	4	8.4 Layout.....	25
6.2 ESD Ratings.....	4	9 Device and Documentation Support	27
6.3 Recommended Operating Conditions.....	4	9.1 Receiving Notification of Documentation Updates....	27
6.4 Thermal Information.....	4	9.2 Support Resources.....	27
6.5 Electrical Characteristics.....	5	9.3 Trademarks.....	27
6.6 Typical Characteristics.....	7	9.4 Electrostatic Discharge Caution.....	27
7 Detailed Description	12	9.5 Glossary.....	27
7.1 Overview.....	12	10 Mechanical, Packaging, and Orderable Information	28
7.2 Functional Block Diagram.....	12		

4 Revision History

NOTE: Page numbers for previous revisions may differ from page numbers in the current version.

DATE	REVISION	NOTES
May 2023	*	Initial release.

5 Pin Configuration and Functions

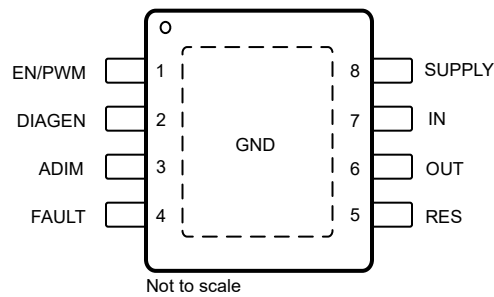


Figure 5-1. DGN Package 8-Pin HVSSOP With PowerPAD™ Top View

Table 5-1. Pin Functions

PIN		I/O	DESCRIPTION
NAME	NO.		
EN/PWM	1	I	Device enable input and PWM input for OUT and RES current output ON and OFF control.
DIAGEN	2	I	Enable pin for LED open-circuit detection to avoid false open diagnostics during low-dropout operation.
ADIM	3	I	PWM input for analog dimming control.
FAULT	4	O	Fault output.
RES	5	O	Channel current output with external thermal resistor.
OUT	6	O	Current output.
IN	7	I	Channel current input.
SUPPLY	8	I	Device power supply.

6 Specifications

6.1 Absolute Maximum Ratings

over operating free-air temperature range (unless otherwise noted)⁽¹⁾

		MIN	MAX	UNIT
Supply	SUPPLY	-0.3	45	V
High-voltage input	DIAGEN, IN, EN/PWM, ADIM	-0.3	$V_{(SUPPLY)}+0.3$	V
High-voltage output	OUT, RES	-0.3	$V_{(SUPPLY)}+0.3$	V
Low-voltage output	FAULT	-0.3	5.5	V
IN to OUT	$V(IN) - V(OUT)$	-0.3	45	V
SUPPLY to IN	$V(SUPPLY) - V(IN)$	-0.3	5	V
T _J	Operating junction temperature	-40	150	°C
T _{stg}	Storage temperature	-65	150	°C

- (1) Operation outside the Absolute Maximum Ratings may cause permanent device damage. Absolute Maximum Ratings do not imply functional operation of the device at these or any other conditions beyond those listed under Recommended Operating Conditions. If used outside the Recommended Operating Conditions but within the Absolute Maximum Ratings, the device may not be fully functional, and this may affect device reliability, functionality, performance, and shorten the device lifetime.

6.2 ESD Ratings

			VALUE	UNIT	
V _(ESD)	Electrostatic discharge	Human-body model (HBM), per AEC Q100-002 ⁽¹⁾ HBM ESD Classification Level 1C	±2000	V	
		Charged-device model (CDM), per AEC Q100-011 CDM ESD Classification Level C4B	All pins		±500
			Corner pins (SUPPLY, RES, FAULT, EN/PWM)		±750

- (1) AEC Q100-002 indicates that HBM stressing shall be in accordance with the ANSI/ESDA/JEDEC JS-001 specification.

6.3 Recommended Operating Conditions

over operating free-air temperature range (unless otherwise noted)

		MIN	NOM	MAX	UNIT
SUPPLY	Device supply voltage	4.5		40	V
IN	Sense voltage	$V_{(SUPPLY)} - V_{(CS_REG)}$			V
EN/PWM, ADIM	PWM and ADIM inputs	0		$V_{(SUPPLY)}$	V
DIAGEN	Diagnostics enable pin	0		$V_{(SUPPLY)}$	V
OUT, RES	Driver output	0		$V_{(SUPPLY)}$	V
FAULT	Multi-fault output	0		5	V
Operating ambient temperature, T _A		-40		125	°C

6.4 Thermal Information

THERMAL METRIC ⁽¹⁾		TPS92629-Q1	
		DGN	UNIT
		8 PINS	
R _{θJA}	Junction-to-ambient thermal resistance	50.7	°C/W
R _{θJC(top)}	Junction-to-case (top) thermal resistance	70.4	°C/W
R _{θJB}	Junction-to-board thermal resistance	23.8	°C/W
ψ _{JT}	Junction-to-top characterization parameter	2.5	°C/W
ψ _{JB}	Junction-to-board characterization parameter	23.8	°C/W
R _{θJC(bot)}	Junction-to-case (bottom) thermal resistance	7.2	°C/W

- (1) For more information about traditional and new thermal metrics, see the [Semiconductor and IC package thermal metrics application report](#).

6.5 Electrical Characteristics

$V_{(SUPPLY)} = 4.5\text{ V to }40\text{ V}$, $V_{(EN)} = 3\text{ V}$, $T_J = -40^\circ\text{C to }+150^\circ\text{C}$ unless otherwise noted

PARAMETER		TEST CONDITIONS	MIN	TYP	MAX	UNIT
BIAS						
$V_{(POR_rising)}$	Supply voltage POR rising threshold			3.6	4.0	V
$V_{(POR_falling)}$	Supply voltage POR falling threshold		3.0	3.4		V
$I_{(shutdown)}$	Device shutdown current, keep EN/PWM = 0 for more than 20 ms to shutdown the device	$V_{supply} = 12\text{V}$		7	10	µA
$I_{(Quiescent)}$	Device standby ground current	PWM = HIGH	0.5	1.1	1.3	mA
$I_{(FAULT)}$	Device supply current in fault mode	PWM = HIGH, fault mode	600	720	850	µA
LOGIC INPUTS (EN/PWM, DIAGEN, ADIM)						
$V_{IL(EN)}$	Disable input logic-low voltage, EN/PWM				0.7	V
$V_{IH(EN)}$	Enable input logic-high voltage, EN/PWM		2.0			V
$V_{IL(PWM)}$	PWM input logic-low voltage, EN/PWM		2.037	2.1	2.183	V
$V_{IH(PWM)}$	PWM input logic-high voltage, EN/PWM		2.134	2.2	2.296	V
$I_{(EN/PWM)}$	Pull down current, EN/PWM		0.5	1.4	2.2	µA
$V_{IL(ADIM)}$	Input logic-low voltage, ADIM		1.065	1.12	1.17	V
$V_{IH(ADIM)}$	Input logic-high voltage, ADIM		1.20	1.26	1.32	V
$I_{(ADIM)}$	Pull down current, ADIM		1.6	2.2	2.9	µA
$V_{IL(DIAGEN)}$	Input logic-low voltage, DIAGEN		1.045	1.10	1.155	V
$V_{IH(DIAGEN)}$	Input logic-high voltage, DIAGEN		1.17	1.25	1.33	V
CONSTANT-CURRENT DRIVER						
$I_{(OUTx_Tot)}$	Device output-current	100% duty cycle	5		250	mA
$V_{(CS_REG)}$	Sense-resistor regulation voltage	$T_A = -40^\circ\text{C to }+125^\circ\text{C}$, 100% duty cycle, 20kHz frequency input for ADIM, $V_{(SUPPLY)} = 4.5\text{ V}$	436	463.5	491	mV
$V_{(CS_REG)}$	Sense-resistor regulation voltage	$T_A = -40^\circ\text{C to }+125^\circ\text{C}$, 100% duty cycle, 20kHz frequency input for ADIM, $V_{(SUPPLY)} = 5\text{ V to }40\text{ V}$	441.75	465.0	488.25	mV
$V_{(CS_REG)}$	Sense-resistor regulation voltage	$T_A = -40^\circ\text{C to }+125^\circ\text{C}$, 20% duty cycle, 20kHz frequency input for ADIM	88.35	93.0	97.65	mV
$V_{(CS_REG)}$	Sense-resistor regulation voltage	$T_A = -40^\circ\text{C to }+125^\circ\text{C}$, 10% duty cycle, 20kHz frequency input for ADIM	41.85	46.5	51.15	mV
$R_{(CS_REG)}$	Sense-resistor range		1.74		98.2	Ω
$V_{(DROPOUT)}$	Voltage dropout from INx to OUTx, RESx open	current setting of 150 mA		200	350	mV
		current setting of 250 mA		300	500	
	Voltage dropout from INx to RESx, OUTx open	current setting of 150 mA		350	600	mV
		current setting of 250 mA		600	1000	
$I_{(RESx)}$	Ratio of RESx current to total current	$I_{(RESx)}/I_{(OUTx_Tot)}$, $V_{(INx)} - V_{(RESx)} > 1\text{ V}$, $I_{(total)} = 150\text{ mA}$	95			%
$I_{(channel_leakage)}$	Leakage current when channel is off	$V_{(SUPPLY)} - V_{(OUT)} = 40\text{ V}$, PWM off			10	µA
DIAGNOSTICS						
$V_{(OPEN_th_rising)}$	LED open rising threshold, $V_{(IN)} - V_{(OUT)}$		180	300	420	mV
$V_{(OPEN_th_falling)}$	LED open falling threshold, $V_{(IN)} - V_{(OUT)}$			450		mV
$V_{(SG_th_rising)}$	Channel output short-to-ground rising threshold		1.425	1.5	1.575	V
$V_{(SG_th_falling)}$	Channel output short-to-ground falling threshold		1.20	1.24	1.32	V
$I_{(Retry_OUT)}$	Channel output $V_{(OUT)}$ short-to-ground retry current		3.622	4.96	6.232	mA
$I_{(Retry_RES)}$	Channel output $V_{(RES)}$ short-to-ground retry current		0.82	1.08	1.4	mA
$I_{(Discharge_OUT)}$	Channel output $V_{(OUT)}$ short-to-battery discharge current	OUT short to SUPPLY	3.431	4.952	5.069	mA
FAULT						
$V_{(FAULT_STG)}$	Output voltage level under STG fault		0.56	0.60	0.619	V
$V_{(FAULT_STB)}$	Output voltage level under STB fault		1.072	1.105	1.134	V
$V_{(FAULT_OPEN)}$	Output voltage level under OPEN fault		1.776	1.827	1.869	V

$V_{(SUPPLY)} = 4.5\text{ V to }40\text{ V}$, $V_{(EN)} = 3\text{ V}$, $T_J = -40^\circ\text{C to }+150^\circ\text{C}$ unless otherwise noted

PARAMETER		TEST CONDITIONS	MIN	TYP	MAX	UNIT
$V_{(FAULT_TSD)}$	Output voltage level under TSD fault		2.725 ⁽¹⁾	2.798 ⁽¹⁾	2.862 ⁽¹⁾	V
$V_{(Normal)}$	Output voltage level under normal mode	$V_{(SUPPLY)} = 4.5\text{ V}$	3.8	4.2	4.6	V
$V_{(Normal)}$	Output voltage level under normal mode	$V_{(SUPPLY)} = 5\text{ V to }40\text{ V}$	4.55	4.8	5.1	V
$I_{(FAULT_pull_up)}$	\overline{FAULT} output current capability	open, stb, stg or tsd fault			250	uA
$I_{(FAULT_pull_up_limit)}$	\overline{FAULT} output current limit	open, stb, stg or tsd fault	300			uA
$I_{(FAULT_pulldown)}$	\overline{FAULT} internal pull down current in stage 1, as shown in Figure 7-5	open, stb, stg or tsd fault, $V_{(FAULT)} = 0.4\text{ V}$	1	1.2	1.5	mA
$t_{(discharge)}$	Discharge time for open and short to battery detection, as shown in Figure 7-5	open or stb fault	500	730	1000	us
TIMING						
$t_{(Device_enable)}$	Device enable time, t_5 as shown in Figure 7-1			86		μs
$t_{(Device_disable)}$	Device disable time, t_8 as shown in Figure 7-1			20		ms
$t_{(STARTUP)}$	SUPPLY rising edge to 10% output current, t_6 as shown in Figure 7-1	$V_{(SUPPLY)} = 12\text{ V}$, $V_{(OUT)} = 3\text{ V}$, $V_{(CS_REG)} = 450\text{ mV}$, $R_{(SNSx)} = 3.0\ \Omega$ and $R_{(RESx)} = 91\ \Omega$		135		μs
$t_{(ADIM_delay_rising)}$	ADIM rising edge delay to 10% of output current, t_9 as shown in Figure 7-1	$V_{(SUPPLY)} = 12\text{ V}$, $V_{(OUT)} = 3\text{ V}$, $V_{(CS_REG)} = 450\text{ mV}$, $R_{(SNSx)} = 3.0\ \Omega$ and $R_{(RESx)} = 91\ \Omega$		55		μs
$t_{(ADIM_delay_falling)}$	ADIM falling edge delay to 90% of output current, t_{10} as shown in Figure 7-1	$V_{(SUPPLY)} = 12\text{ V}$, $V_{(OUT)} = 3\text{ V}$, $V_{(CS_REG)} = 450\text{ mV}$, $R_{(SNSx)} = 3.0\ \Omega$ and $R_{(RESx)} = 91\ \Omega$		60		μs
$t_{(ADIM_current_rising)}$	output current rising time, t_7 as shown in Figure 7-1	5% current to 98% target current under analog dimming mode		1		ms
$t_{(ADIM_current_falling)}$	output current falling time, t_{11} as shown in Figure 7-1	98% current to 5% target current under analog dimming mode		1		ms
$t_{(PWM_delay_rising)}$	PWM rising edge delay to 10% of output current, t_1 as shown in Figure 7-1	$V_{(SUPPLY)} = 12\text{ V}$, $V_{(OUT)} = 3\text{ V}$, $V_{(CS_REG)} = 450\text{ mV}$, $R_{(SNSx)} = 3.0\ \Omega$ and $R_{(RESx)} = 91\ \Omega$		3		μs
		$V_{(SUPPLY)} = 12\text{ V}$, $V_{(OUT)} = 3\text{ V}$, $V_{(CS_REG)} = 450\text{ mV}$, $R_{(SNSx)} = 82\ \Omega$ and $R_{(RESx)} = 91\ \Omega$		2.4		μs
$t_{(PWM_delay_falling)}$	PWM falling edge delay to 90% of output current, t_3 as shown in Figure 7-1	$V_{(SUPPLY)} = 12\text{ V}$, $V_{(OUT)} = 3\text{ V}$, $V_{(CS_REG)} = 450\text{ mV}$, $R_{(SNSx)} = 3.0\ \Omega$ and $R_{(RESx)} = 91\ \Omega$		2.8		μs
		$V_{(SUPPLY)} = 12\text{ V}$, $V_{(OUT)} = 3\text{ V}$, $V_{(CS_REG)} = 450\text{ mV}$, $R_{(SNSx)} = 82\ \Omega$ and $R_{(RESx)} = 91\ \Omega$		2.8		μs
$t_{(Current_rising)}$	Output current rising from 10% to 90%, t_2 as shown in Figure 7-1	$V_{(SUPPLY)} = 12\text{ V}$, $V_{(OUT)} = 3\text{ V}$, $V_{(CS_REG)} = 450\text{ mV}$, $R_{(SNSx)} = 3.0\ \Omega$ and $R_{(RESx)} = 91\ \Omega$		1.7		μs
		$V_{(SUPPLY)} = 12\text{ V}$, $V_{(OUT)} = 3\text{ V}$, $V_{(CS_REG)} = 450\text{ mV}$, $R_{(SNSx)} = 82\ \Omega$ and $R_{(RESx)} = 91\ \Omega$		1.3		μs
$t_{(Current_falling)}$	Output current falling from 90% to 10%, t_4 as shown in Figure 7-1	$V_{(SUPPLY)} = 12\text{ V}$, $V_{(OUT)} = 3\text{ V}$, $V_{(CS_REG)} = 450\text{ mV}$, $R_{(SNSx)} = 3.0\ \Omega$ and $R_{(RESx)} = 91\ \Omega$		5.7		μs
		$V_{(SUPPLY)} = 12\text{ V}$, $V_{(OUT)} = 3\text{ V}$, $V_{(CS_REG)} = 450\text{ mV}$, $R_{(SNSx)} = 82\ \Omega$ and $R_{(RESx)} = 91\ \Omega$		0.27		μs
$t_{(OPEN_deg)}$	LED-open fault detection deglitch time, t_6 as shown in Figure 7-3			125		μs
$t_{(SG_deg)}$	Output short-to-ground detection deglitch time, t_7 as shown in Figure 7-2			125		μs
$t_{(Recover_deg)}$	Open and Short fault recovery deglitch time, t_8 as shown in Figure 7-2 and Figure 7-3			125		μs
$t_{(FAULT_recovery)}$	Fault recovery delay time, t_9 as shown in Figure 7-2 and Figure 7-3			50		μs
$t_{(TSD_deg)}$	Thermal over temperature deglitch time			50		μs
THERMAL PROTECTION						
$T_{(TSD)}$	Thermal shutdown junction temperature threshold		157	172	187	°C
$T_{(TSD_HYS)}$	Thermal shutdown junction temperature hysteresis			15		°C

(1) Ensured by design.

6.6 Typical Characteristics

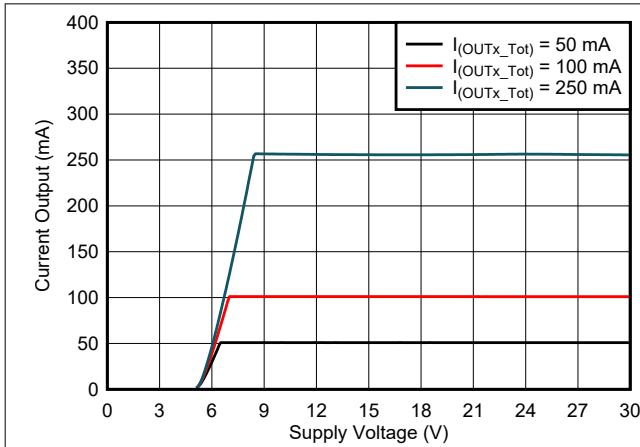


Figure 6-1. Output Current vs Supply Voltage

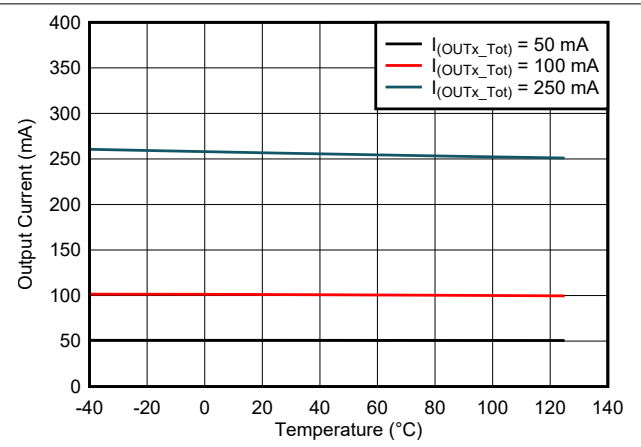


Figure 6-2. Output Current vs Temperature

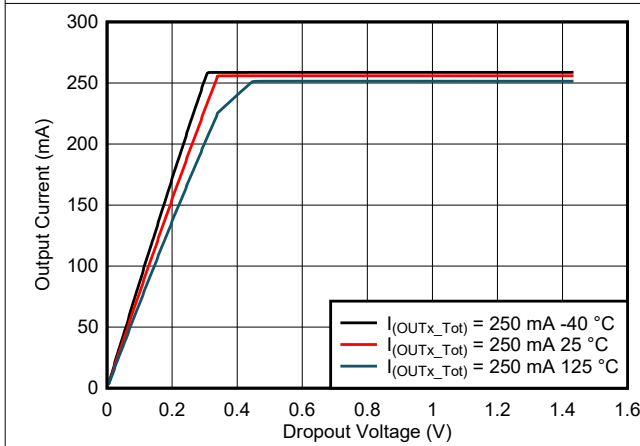


Figure 6-3. Output Current vs Dropout Voltage

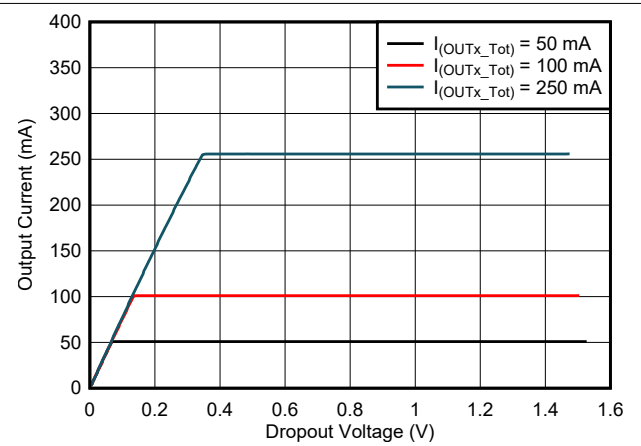


Figure 6-4. Output Current vs Dropout Voltage

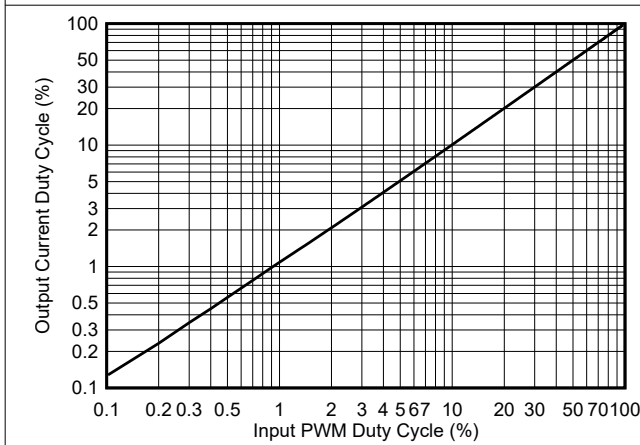


Figure 6-5. PWM Output Duty Cycle vs PWM Input Duty Cycle

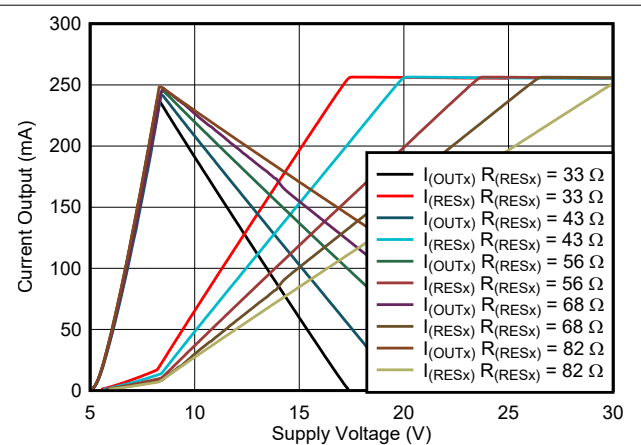


Figure 6-6. Output Current Distribution vs Supply Voltage

6.6 Typical Characteristics (continued)

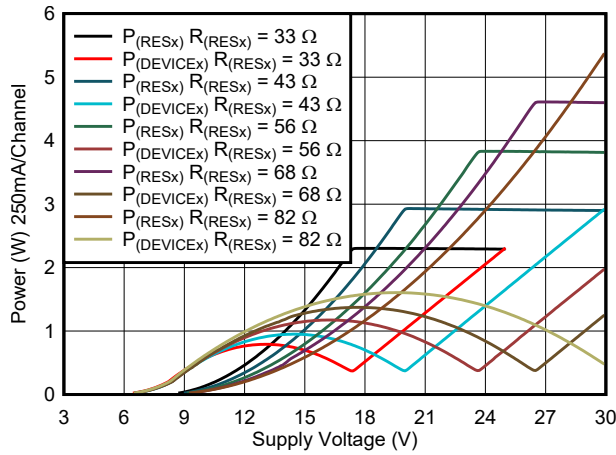


Figure 6-7. Power Dissipation vs Supply Voltage

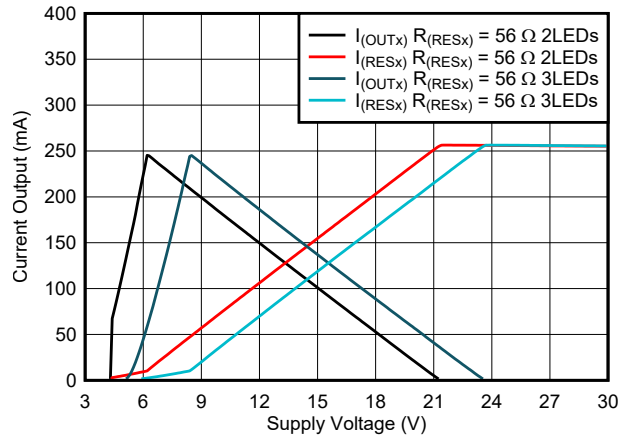


Figure 6-8. Output Current Distribution vs Supply Voltage

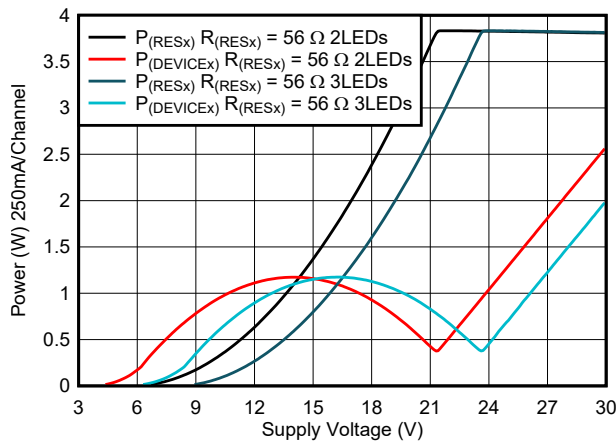


Figure 6-9. Power Dissipation vs Supply Voltage

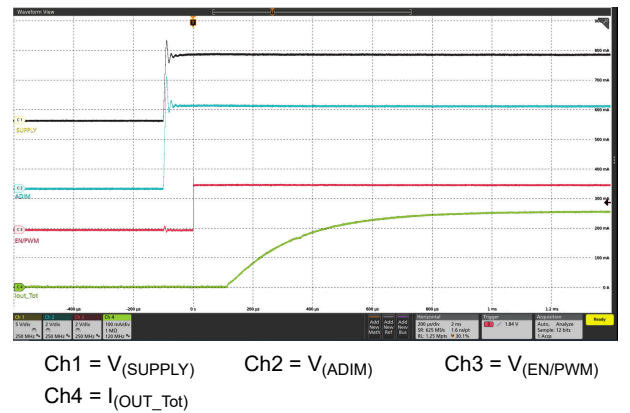


Figure 6-10. Power Up Sequence

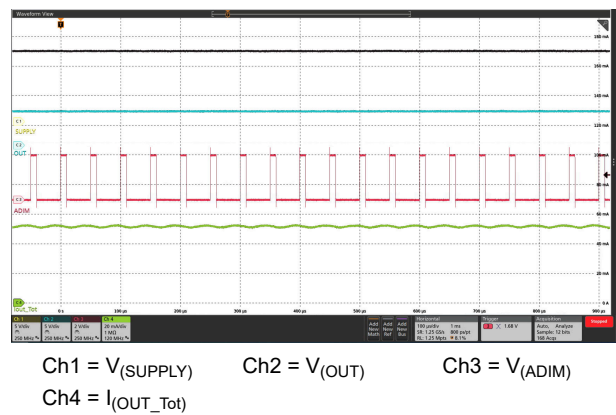


Figure 6-11. Analog Dimming at 20 kHz

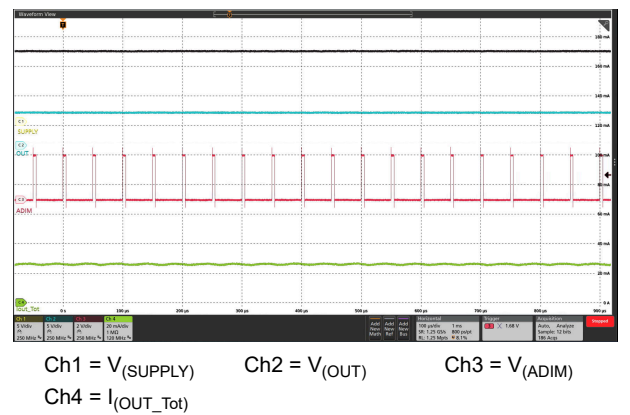
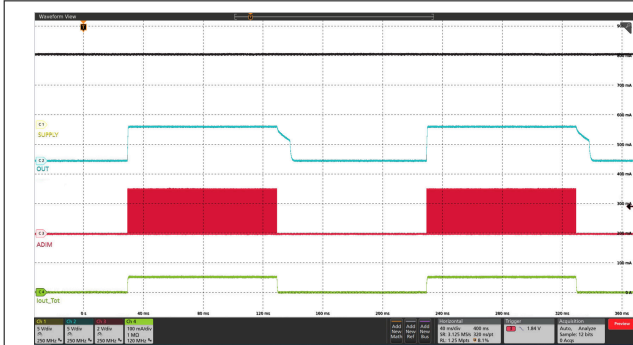


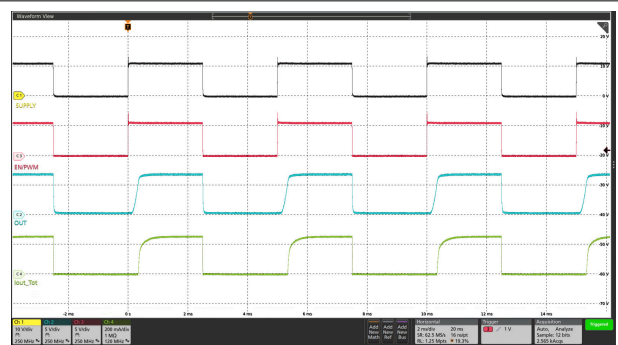
Figure 6-12. Analog Dimming at 20 kHz

6.6 Typical Characteristics (continued)



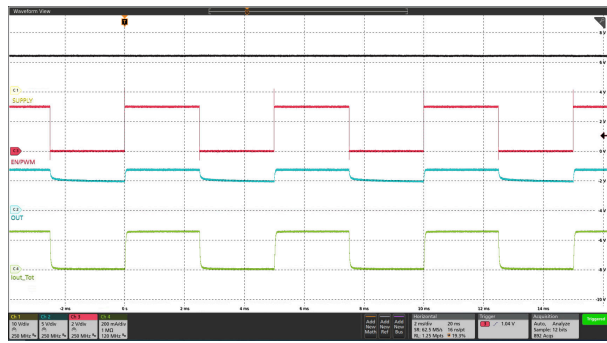
Ch1 = $V_{(SUPPLY)}$ Ch2 = $V_{(OUT)}$ Ch3 = $V_{(ADIM)}$
 Ch4 = $I_{(OUT_Tot)}$

Figure 6-13. Flash Dimming



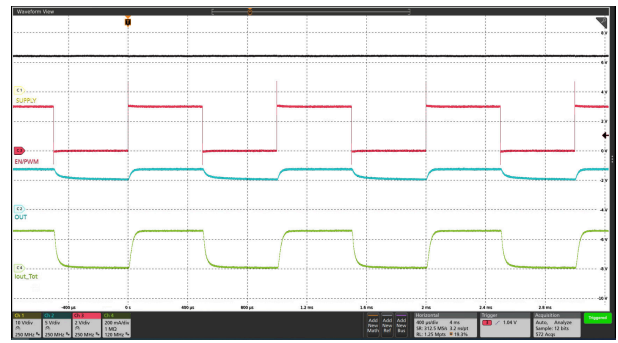
Ch1 = $V_{(SUPPLY)}$ Ch2 = $V_{(OUT)}$ Ch3 = $V_{(EN/PWM)}$
 Ch4 = $I_{(OUT_Tot)}$

Figure 6-14. Supply Dimming at 200 Hz



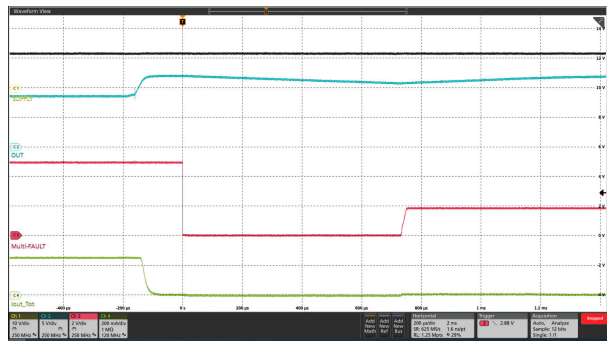
Ch1 = $V_{(SUPPLY)}$ Ch2 = $V_{(OUT)}$ Ch3 = $V_{(EN/PWM)}$
 Ch4 = $I_{(OUT_Tot)}$

Figure 6-15. PWM Dimming at 200 Hz



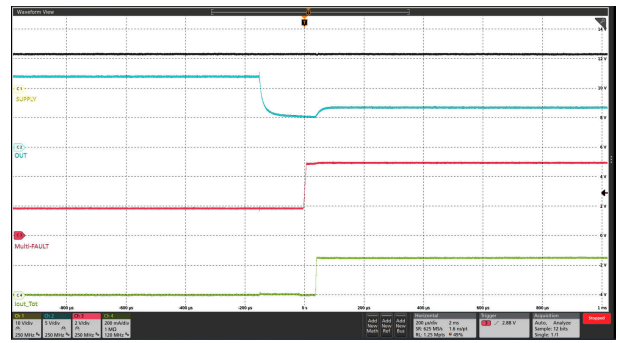
Ch1 = $V_{(SUPPLY)}$ Ch2 = $V_{(OUT)}$ Ch3 = $V_{(EN/PWM)}$
 Ch4 = $I_{(OUT_Tot)}$

Figure 6-16. PWM Dimming at 1 kHz



Ch1 = $V_{(SUPPLY)}$ Ch2 = $V_{(OUT)}$ Ch3 = $V_{(FAULT)}$
 Ch4 = $I_{(OUT_Tot)}$

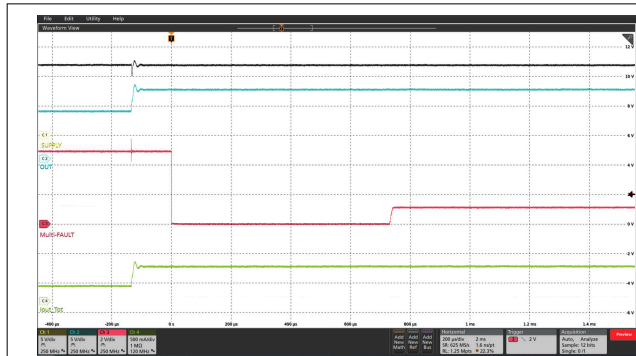
Figure 6-17. LED Open Protection



Ch1 = $V_{(SUPPLY)}$ Ch2 = $V_{(OUT)}$ Ch3 = $V_{(FAULT)}$
 Ch4 = $I_{(OUT_Tot)}$

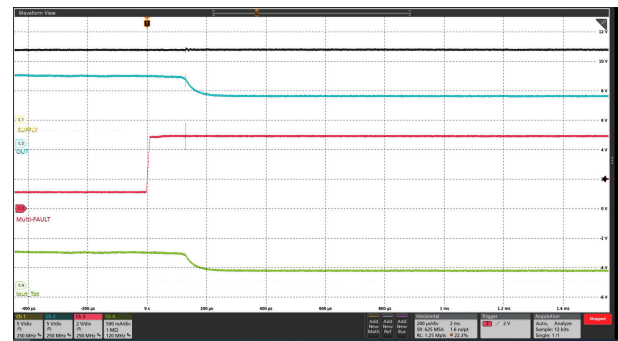
Figure 6-18. LED Open Protection Recovery

6.6 Typical Characteristics (continued)



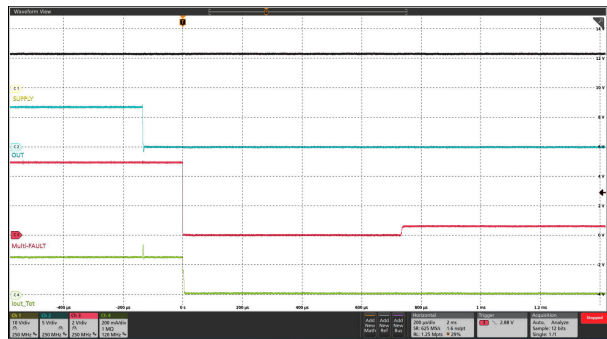
Ch1 = $V_{(SUPPLY)}$ Ch2 = $V_{(OUT)}$ Ch3 = $V_{(FAULT)}$
Ch4 = $I_{(OUT_Tot)}$

Figure 6-19. LED Short to Battery Protection



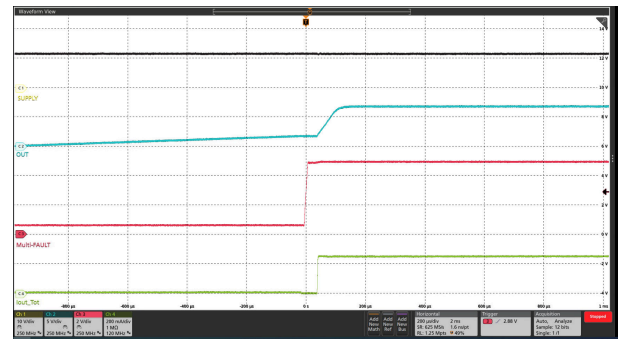
Ch1 = $V_{(SUPPLY)}$ Ch2 = $V_{(OUT)}$ Ch3 = $V_{(FAULT)}$
Ch4 = $I_{(OUT_Tot)}$

Figure 6-20. LED Short to Battery Protection Recovery



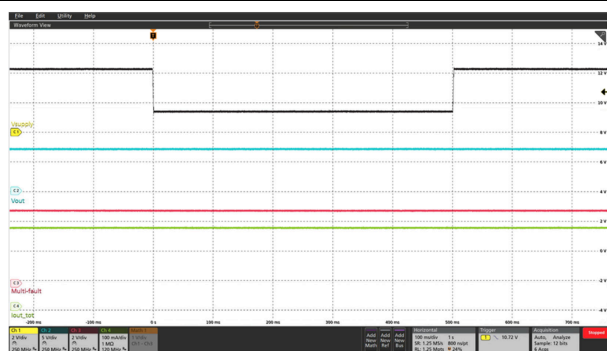
Ch1 = $V_{(SUPPLY)}$ Ch2 = $V_{(OUT)}$ Ch3 = $V_{(FAULT)}$
Ch4 = $I_{(OUT_Tot)}$

Figure 6-21. LED Short-Circuit Protection



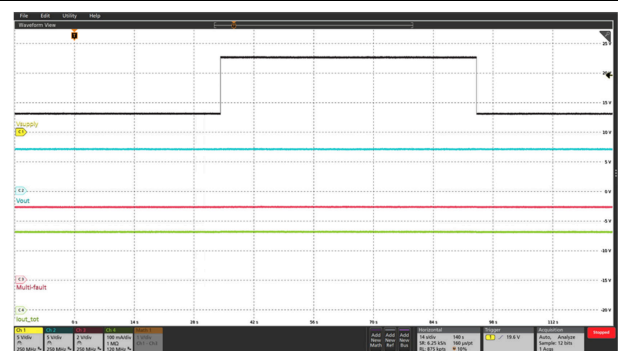
Ch1 = $V_{(SUPPLY)}$ Ch2 = $V_{(OUT)}$ Ch3 = $V_{(FAULT)}$
Ch4 = $I_{(OUT_Tot)}$

Figure 6-22. LED Short-Circuit Protection Recovery



Ch1 = $V_{(SUPPLY)}$ Ch2 = $V_{(OUT)}$ Ch3 = $V_{(FAULT)}$
Ch4 = $I_{(OUT_Tot)}$

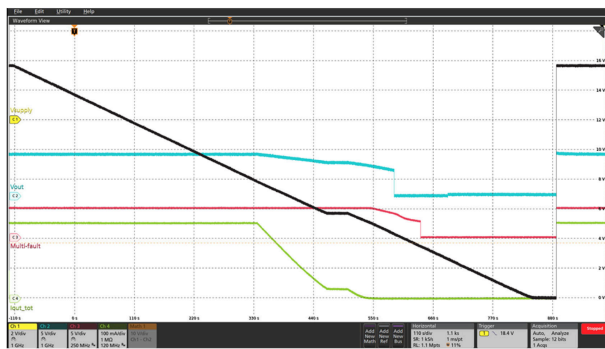
Figure 6-23. Transient Undervoltage



Ch1 = $V_{(SUPPLY)}$ Ch2 = $V_{(OUT)}$ Ch3 = $V_{(FAULT)}$
Ch4 = $I_{(OUT_Tot)}$

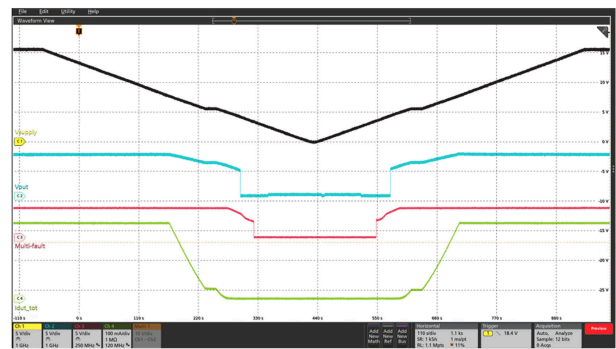
Figure 6-24. Transient Overvoltage

6.6 Typical Characteristics (continued)



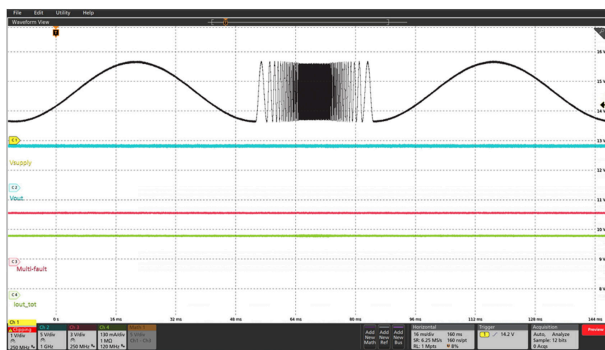
Ch1 = $V_{(SUPPLY)}$ Ch2 = $V_{(OUT)}$ Ch3 = $V_{(FAULT)}$
 Ch4 = $I_{(OUT_Tot)}$

Figure 6-25. Slow Decrease and Quick Increase of Supply Voltage



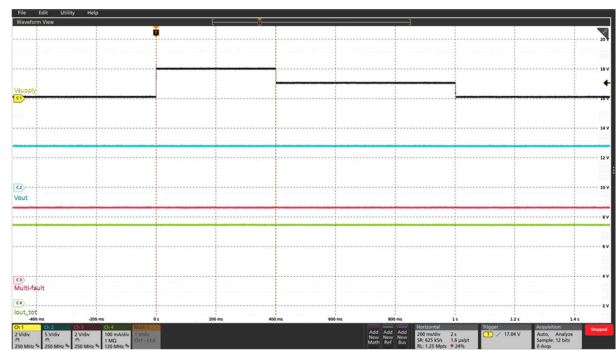
Ch1 = $V_{(SUPPLY)}$ Ch2 = $V_{(OUT)}$ Ch3 = $V_{(FAULT)}$
 Ch4 = $I_{(OUT_Tot)}$

Figure 6-26. Slow Decrease and Slow Increase of Supply Voltage



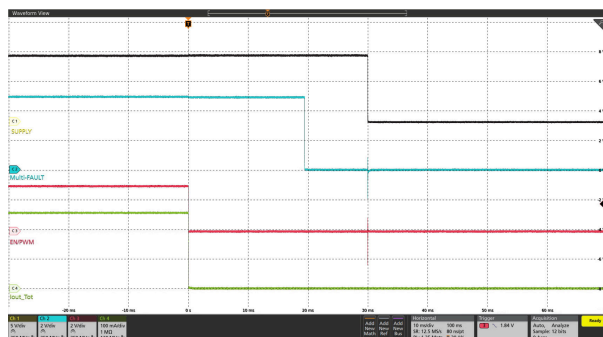
Ch1 = $V_{(SUPPLY)}$ Ch2 = $V_{(OUT)}$ Ch3 = $V_{(FAULT)}$
 Ch4 = $I_{(OUT_Tot)}$ DIAGEN = High when Supply > 8 V

Figure 6-27. Superimposed Alternating Voltage



Ch1 = $V_{(SUPPLY)}$ Ch2 = $V_{(OUT)}$ Ch3 = $V_{(FAULT)}$
 Ch4 = $I_{(OUT_Tot)}$

Figure 6-28. Jump Start



Ch1 = $V_{(SUPPLY)}$ Ch2 = $V_{(FAULT)}$ Ch3 = $V_{(EN/PWM)}$
 Ch4 = $I_{(OUT_Tot)}$

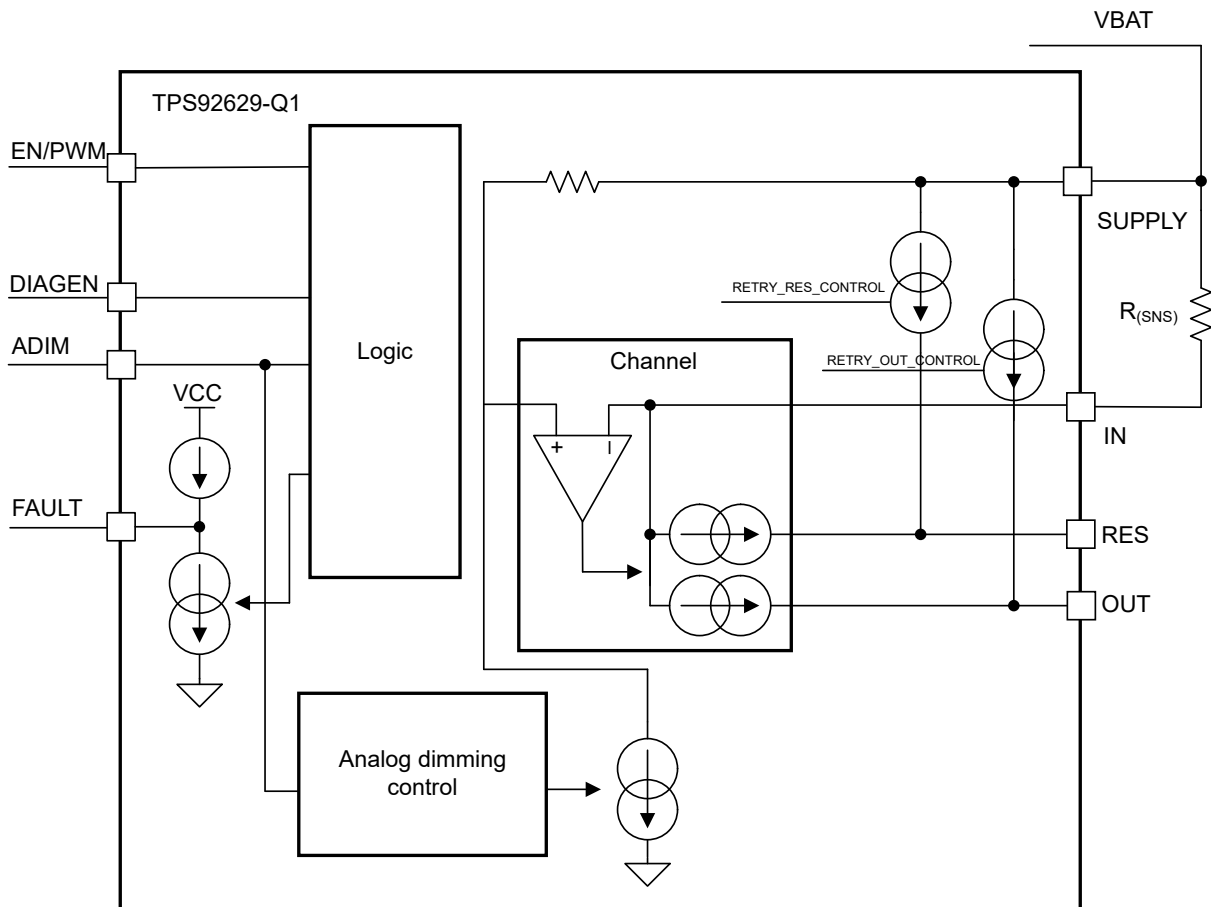
Figure 6-29. Power off Sequence

7 Detailed Description

7.1 Overview

The TPS92629-Q1 is a single-channel, high-side linear LED driver supporting external thermal sharing resistor to achieve the controllable junction temperature rising. The device can be directly powered by automotive battery and output full load up to 250 mA current to LED with limited power dissipation on the device. The channel current output can be set by external $R_{(SNSx)}$ resistors. Current flows from the supply through the $R_{(SNSx)}$ resistor into the integrated current regulation circuit and to the LEDs through OUTx pin and RESx pin. TPS92629-Q1 device supports both supply control and PWM control to turn LED ON and OFF. The LED brightness is also adjustable by input PWM duty cycle applied on ADIM pin to achieve analog dimming control. The output current slew rate is optimized for improved EMC performance in analog dimming mode. The TPS92629-Q1 provides full diagnostics to keep the system operating reliably including LED open/short-to-ground/short-to-battery circuit detection, supply POR and thermal shutdown protection. The LED fault detection is optimized to support big output capacitor in analog dimming mode within wide current range for better stability and noise immunity in the off board long wire driving applicaton. TPS92629-Q1 device is in a HVSSOP package with total 8 leads.

7.2 Functional Block Diagram



7.3 Feature Description

7.3.1 Power Supply (SUPPLY)

7.3.1.1 Power-On Reset (POR)

The TPS92629-Q1 device has an internal power-on-reset (POR) function. When power is applied to the SUPPLY pin, the internal POR circuit holds the device in reset state until $V_{(SUPPLY)}$ is above $V_{(POR_rising)}$.

7.3.1.2 Supply Current in Fault Mode

The TPS92629-Q1 device consumes minimal quiescent current, $I_{(FAULT)}$, into SUPPLY in fault mode.

If device detects an internal fault, it pulls down the \overline{FAULT} pin firstly to generate a falling edge by an internal typical 1.2-mA constant current as a fault interrupt trigger signal.

7.3.2 Enable and Shutdown

The TPS92629-Q1 is enabled when the voltage applied on PWM/EN pin is higher than $V_{IH(EN)}$. Once the PWM/EN pin voltage is higher than $V_{IH(PWM)}$, the device can only be shutdown by keeping the EN/PWM voltage lower than $V_{IL(EN)}$ for more than $t_{(Device_disable)}$. The typical value of $t_{(Device_disable)}$ is 20 ms. The TPS92629-Q1 turns on channel current output when the voltage applied on PWM/EN pin is higher than $V_{IH(PWM)}$ and turns off current output when the voltage applied on PWM/EN pin is lower than $V_{IL(PWM)}$.

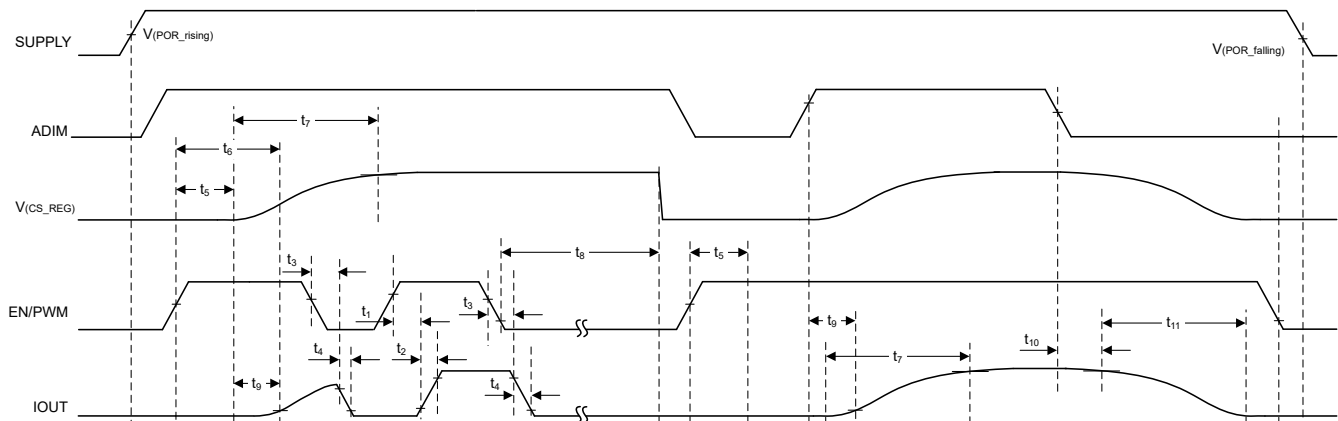


Figure 7-1. Power On Sequence and PWM Dimming Timing

7.3.3 Constant-Current Output and Setting (IN)

The TPS92629-Q1 device is a high-side current driver for driving LEDs. The device controls each output current through regulating the voltage drop on an external high-side current-sense resistor, $R_{(SNS)}$. An integrated error amplifier drives an internal power transistor to maintain the voltage drop on the current-sense resistor $R_{(SNS)}$ to $V_{(CS_REG)}$ and therefore regulates the current output to target value. When the output current is in regulation, the current value for each channel can be calculated by using [Equation 1](#).

$$I_{(OUT_Tot)} = \frac{V_{(CS_REG)}}{R_{(SNS)}} \quad (1)$$

where

- The duty cycle on ADIM pin controls the $V_{(CS_REG)}$ proportionally when the ADIM pin frequency is higher than 10kHz
- $V_{(CS_REG)} = 463.5$ mV for the typical value when the ADIM pin duty cycle is 100%

When the supply voltage drops below total LED string forward voltage plus required headroom voltage, the sum of $V_{(DROPOUT)}$ and $V_{(CS_REG)}$, the TPS92629-Q1 is not able to deliver enough current output as set by the value of $R_{(SNS)}$, and the voltage across the current-sense resistor $R_{(SNS)}$ is less than $V_{(CS_REG)}$.

7.3.4 Thermal Sharing Resistor (OUT and RES)

The TPS92629-Q1 device provides two current output paths for each channel. Current flows from the supply through the $R_{(SNS)}$ resistor into the integrated current regulation circuit and to the LEDs through OUT pin and RES pin. The current output on both OUT pin and RES pin is independently regulated to achieve total required current output. The summed current of OUT and RES is equal to the current through the $R_{(SNS)}$ resistor in the channel. The OUT connects to anode of LEDs load in serial directly, however RES connects to the LEDs through an external resistor to share part of the power dissipation and reduce the thermal accumulation in TPS92629-Q1.

The integrated independent current regulation in TPS92629-Q1 dynamically adjusts the output current on both OUT and RES output to maintain the stable summed current for LED. The TPS92629-Q1 always regulates the current output to the RES pin as much as possible until the RES current path is saturated, and the rest of required current is regulated out of the OUT. As a result, the most of the current to LED outputs through the RES pin when the voltage dropout is large between SUPPLY and LED required total forward voltage. In the opposite case, the most of the current to LED outputs through the OUT pin when the voltage headroom is relative low between SUPPLY and LED required forward voltage.

7.3.5 Brightness Control (EN/PWM and ADIM)

The TPS92629-Q1 has integrated PWM and analog dimming control. The pulse width modulation (PWM) input of the TPS92629-Q1 functions as enable for the output current. When the voltage applied on the PWM pin is higher than $V_{IH(PWM)}$, the relevant output current is enabled. When the voltage applied on PWM pin is lower than $V_{IL(PWM)}$, the output current is disabled as well as the diagnostic features. Besides output current enable and disable function, the PWM input of TPS92629-Q1 also supports adjustment of the average current output for brightness control if the frequency of applied PWM signal is higher than 100 Hz, which is out of visible frequency range of human eyes. TI recommends a 200-Hz PWM signal with 1% to 100% duty cycle input for brightness control. Please refer to [Figure 8-1](#) for typical PWM dimming application.

The PWM input of TPS92629-Q1 controls the output channel for both OUT and RES. [Power On Sequence and PWM Dimming Timing](#) illustrates the timing for PWM input and current output.

The TPS92629-Q1 achieves the analog dimming by inputting the PWM duty cycle to the ADIM pin. The duty cycle on ADIM pin controls the average value of $V_{(CS_REG)}$ proportionally when the ADIM pin frequency is higher than 10kHz. Therefore, the output current is proportional to the ADIM pin duty cycle in analog dimming mode. 20kHz input PWM frequency for ADIM pin is recommended for the small output current ripple. When the ADIM pin and PWM pin are high, the LED fault diagnostic will be enabled. If the ADIM pin keeps low for more than 100us, the LED fault diagnostic will be disabled. The output current slew rate is optimized to typical value 1ms in analog dimming mode for EMC improvement.

The detailed information and value of each time period in [Power On Sequence and PWM Dimming Timing](#) is described in TIMING section of electrical characteristics table.

7.3.6 Diagnostics

The TPS92629-Q1 device provides advanced diagnostics and fault-protection features for automotive exterior lighting systems. The device is able to detect and protect fault from LED-string short-to-GND, LED-string open-circuit, LED-string short-to-battery and junction over-temperature scenarios. The multiple fault could be reported out by different voltage levels through fault pins for safety critical applications.

7.3.6.1 LED Short-to-GND Detection

The TPS92629-Q1 device has LED short-to-GND detection. The LED short-to-GND detection monitors the output voltage when the output current is enabled. Once a short-to-GND LED failure is detected, the device turns off the faulty channel and retries automatically, regardless of the state of the PWM input. If the retry mechanism detects the removal of the LED short-to-GND fault, the device resumes to normal operation.

The TPS92629-Q1 monitors both $V_{(OUT)}$ voltage and $V_{(RES)}$ voltage of each channel and compares it with the internal reference voltage to detect a short-to-GND failure. If $V_{(OUT)}$ or $V_{(RES)}$ voltage falls below $V_{(SG_th_falling)}$ longer than the deglitch time of $t_{(SG_deg)}$, the device asserts the short-to-GND fault and pulls low the \overline{FAULT} pin. During the deglitching time period, if $V_{(OUTx)}$ and $V_{(RESx)}$ rises above $V_{(SG_th_rising)}$, the timer is reset.

Once the TPS92629-Q1 has asserted a short-to-GND fault, the device turns off the faulty output channel and retries automatically with a small current. During retrying, the device sources a small current $I_{(Retry)}$ from SUPPLY to OUT and RES to pull up the LED loads continuously. After auto-retry detects output voltage rising above $V_{(SG_th_rising)}$, it clears the short-to-GND fault and resumes to normal operation. Figure 7-2 illustrates the timing for LED short-circuit detection, protection, retry and recovery.

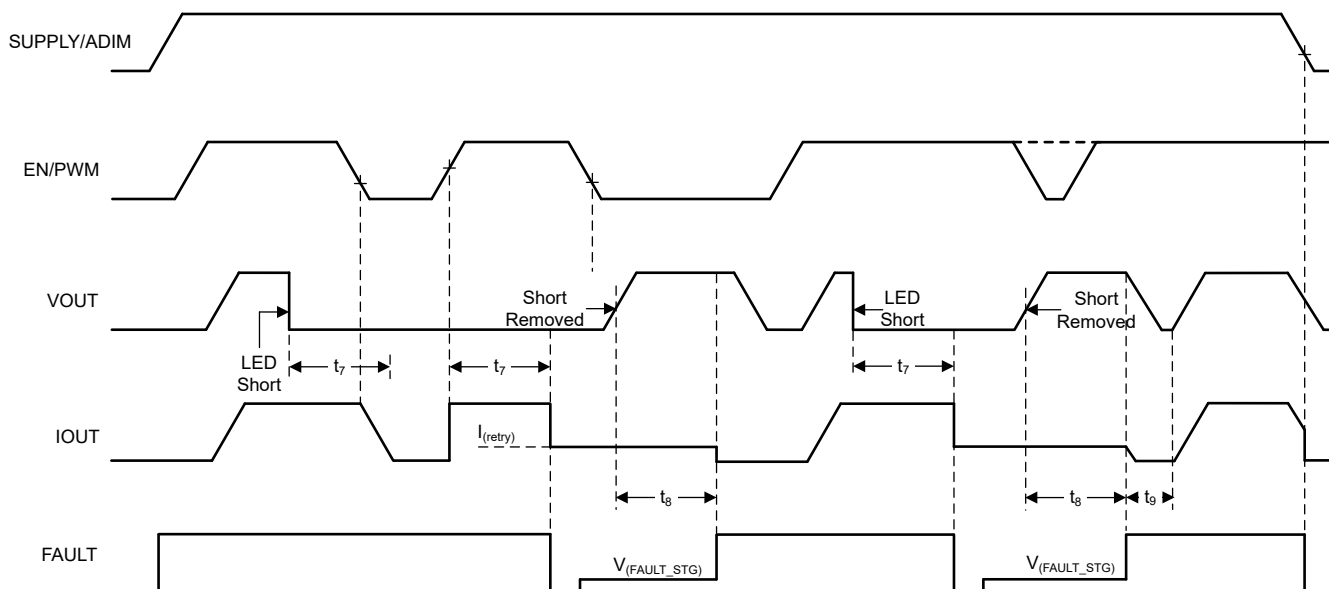


Figure 7-2. LED Short-to-GND Detection and Recovery Timing Diagram

The detailed information and value of each time period in Figure 7-2 is described in TIMING section of electrical characteristics table.

7.3.6.2 LED Open-Circuit and Short-to-Battery Detection

The TPS92629-Q1 device has LED open-circuit detection and output short-to-battery detection. The LED open-circuit detection and output short-to-battery detection monitor the output voltage when the current output is enabled. The LED open-circuit detection and output short-to-battery are only enabled when DIAGEN is HIGH. Compared with the traditional detection method, output short-to-battery fault and LED open-circuit fault could be identified.

The TPS92629-Q1 monitors dropout-voltage differences between the IN and OUT pins for LED channel when PWM is HIGH and ADIM is HIGH. The voltage difference $V_{(INx)} - V_{(OUTx)}$ is compared with the internal reference voltage $V_{(OPEN_th_rising)}$ to detect an LED open-circuit and output short-to-battery incident. If $V_{(OUTx)}$ rises and causes $V_{(INx)} - V_{(OUTx)}$ less than the $V_{(OPEN_th_rising)}$ voltage longer than the deglitch time of $t_{(OPEN_deg)}$, the device asserts fault immediately and pulls down the fault pin firstly. During the deglitch time period, if $V_{(OUTx)}$ falls and makes $V_{(INx)} - V_{(OUTx)}$ larger than $V_{(OPEN_th_falling)}$, the deglitch timer is reset. After the falling edge of fault pin, there is a discharge time $t_{(discharge)}$ to identify whether it is output short-to-battery fault or LED open-circuit fault. During the discharge stage, $I_{(Discharge_OUT)}$ flows into the out pin. At the end of discharge stage, the voltage difference $V_{(INx)} - V_{(OUTx)}$ is compared with the internal reference voltage $V_{(OPEN_th_falling)}$. When $V_{(INx)} - V_{(OUTx)}$ is bigger than $V_{(OPEN_th_falling)}$, the LED open-circuit fault is reported. Otherwise, output short-to-battery fault is reported.

The TPS92629-Q1 shuts down the output current regulation for the error channel after LED open-circuit fault or output short-to-battery fault is detected. The device sources a small current $I_{(Retry)}$ from SUPPLY to OUT and RES when DIAGEN input is logic High. After the fault condition is removed, the device resumes normal operation and releases the FAULT pin. Figure 7-3 illustrates the timing for LED open-circuit detection, protection, retry and recovery.

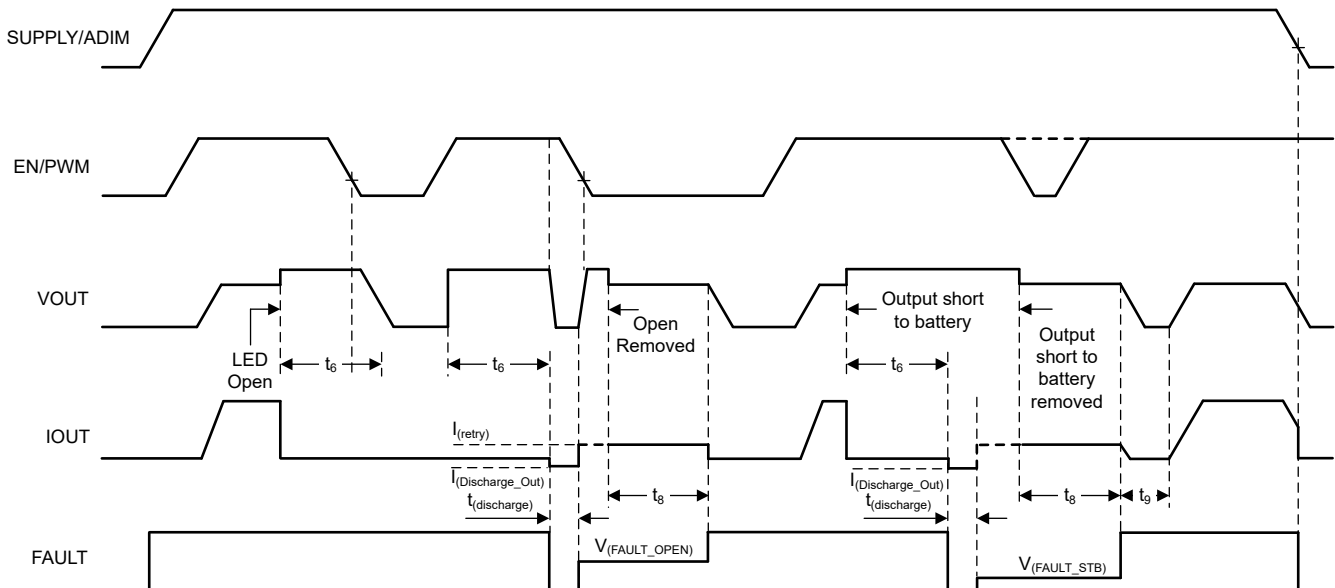


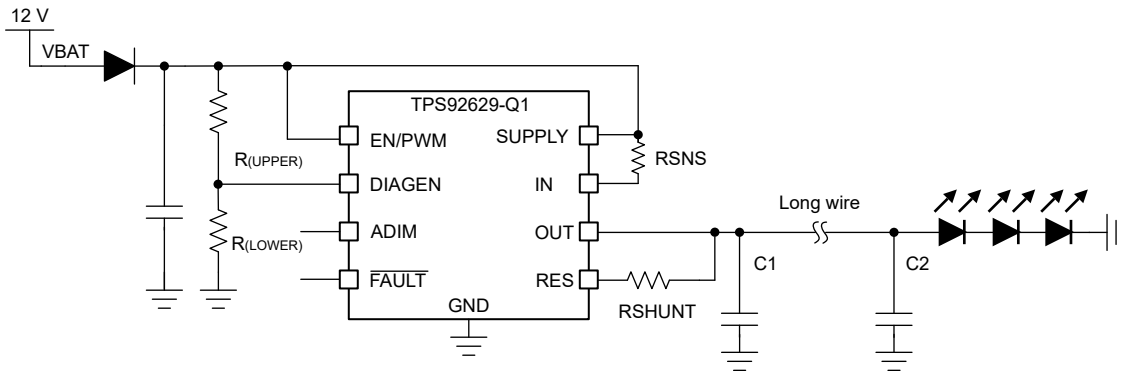
Figure 7-3. LED Open-Circuit Detection and Recovery Timing Diagram

The detailed information and value of each time period in Figure 7-3 is described in TIMING section of electrical characteristics table.

7.3.6.3 LED Open-Circuit and Short-to-Battery Detection Enable (DIAGEN)

The TPS92629-Q1 device supports the DIAGEN pin with an accurate threshold to disable the LED open-circuit and output short-to-battery detection. The DIAGEN pin can be used to enable or disable LED open-circuit detection and output short-to-battery detection based on SUPPLY pin voltage sensed by an external resistor divider as illustrated in Figure 7-4. When the voltage applied on DIAGEN pin is higher than the threshold $V_{IH(DIAGEN)}$, the device enables LED open-circuit and output short-to-battery detection. When $V_{(DIAGEN)}$ is lower than the threshold $V_{IL(DIAGEN)}$, the device disables LED open-circuit and output short-to-battery detection.

Only LED open-circuit and output short-to-battery detection can be disabled by pulling down the DIAGEN pin. The LED short-to-GND detection and overtemperature protection cannot be turned off by pulling down the DIAGEN pin. The SUPPLY threshold voltage can be calculated by using Equation 2.



*: 10 nF ceramic capacitor is recommended for OUT

Figure 7-4. Application Schematic For DIAGEN

$$V_{(SUPPLY_DIAGEN_th_falling)} = V_{IL(DIAGEN)} \times \left(1 + \frac{R_{(UPPER)}}{R_{(LOWER)}} \right) \quad (2)$$

where

- $V_{IL(DIAGEN)} = 1.045 \text{ V}$ (minimum)

7.3.6.4 Overtemperature Protection

The TPS92629-Q1 device monitors device junction temperature. When the junction temperature reaches thermal shutdown threshold $T_{(TSD)}$, the output shuts down. After the junction temperature falls below $T_{(TSD)} - T_{(TSD_HYS)}$, the device recovers to normal operation. During overtemperature protection, the $\overline{\text{FAULT}}$ pin is pulled to $V_{(FAULT_TSD)}$.

7.3.6.5 Low Dropout Operation

When the supply voltage drops below LED string total forward voltage plus headroom voltage at required current, the TPS92629-Q1 device operates in low-dropout conditions to deliver current output as close as possible to target value. The actual current output is less than preset value due to insufficient headroom voltage for power transistor. As a result, the voltage across the sense resistor fails to reach the regulation target. The headroom voltage is the summation of $V_{(DROPOUT)}$ and $V_{(CS_REG)}$.

If the TPS92629-Q1 is designed to operate in low-dropout condition, the open-circuit and output short-to-battery diagnostics must be disabled by pulling the DIAGEN pin voltage lower than $V_{IL(DIAGEN)}$. Otherwise, the TPS92629-Q1 detects an open-circuit fault or output short-to-battery fault and reports a fault on the $\overline{\text{FAULT}}$ pin. The DIAGEN pin is used to avoid false diagnostics due to low supply voltage.

7.3.7 Multi Fault Report

The multiple fault could be reported out by the different voltage level through fault pins. The fault pin will be pulled down firstly for $t_{(discharge)}$ time in order to generate a falling edge trigger signal for the ADC of MCU. The $t_{(discharge)}$ time is also used as discharge process for LED open-circuit detection and output short-to-battery detection. After the discharge process, the fault pin will be pulled up to a specific voltage level according to the detected fault to achieve multiple fault report for safety critical system, as shown in Figure 7-5

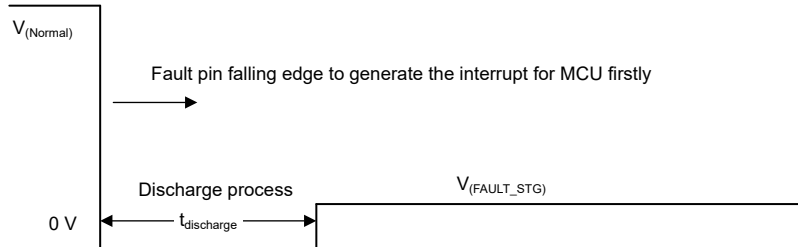


Figure 7-5. Multiple fault report timing sequence

7.3.8 FAULT Table

Table 7-1. Fault Table With DIAGEN = HIGH (Full Function)

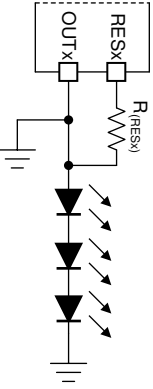
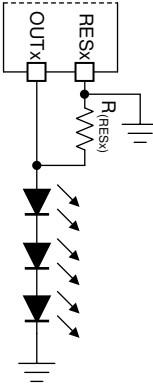
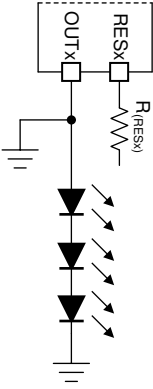
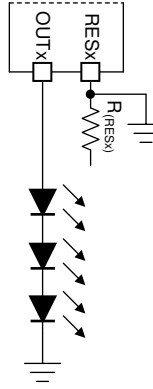
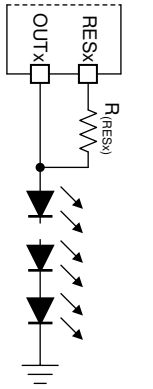
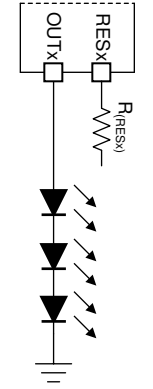
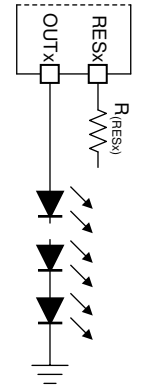
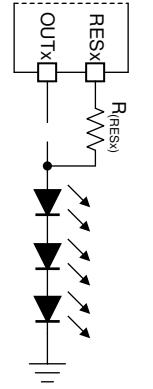
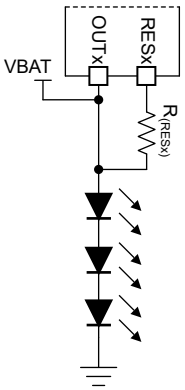
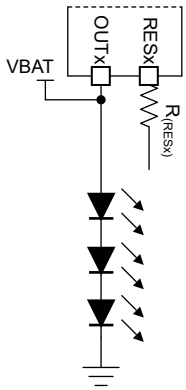
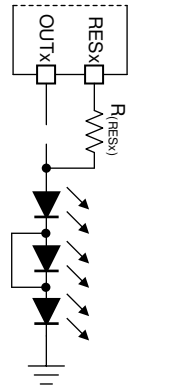
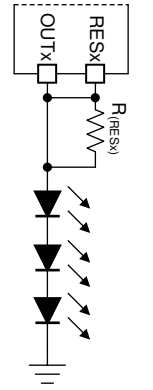
FAULT TYPE	DETECTION MECHANISM	CONTROL INPUT	DEGLITCH TIME	FAULT BUS	FAULT HANDLING ROUTINE	FAULT RECOVERY
Open-circuit	$V_{(IN)} - V_{(OUT)} < V_{(OPEN_th_rising)}$, $V_{(IN)} - V_{(OUT)} > V_{(OPEN_th_falling)}$ at the end of discharge process	EN/PWM = H, ADIM = H	$t_{(OPEN_deg)}$	Pull up to $V_{(FAULT_OPEN)}$	Device turns failed output off and retries with constant current $I_{(retry)}$, ignoring the PWM input.	Auto recovery
Short-to-battery	$V_{(IN)} - V_{(OUT)} < V_{(OPEN_th_rising)}$, $V_{(IN)} - V_{(OUT)} \leq V_{(OPEN_th_falling)}$ at the end of discharge process	EN/PWM = H, ADIM = H	$t_{(OPEN_deg)}$	Pull up to $V_{(FAULT_STB)}$	Device turns failed output off and retries with constant current $I_{(retry)}$, ignoring the PWM input.	Auto recovery
Short-to-ground	$V_{(OUT)} < V_{(SG_th_falling)}$ OR $V_{(RES)} < V_{(SG_th_falling)}$	EN/PWM = H, ADIM = H	$t_{(SG_deg)}$	Pull up to $V_{(FAULT_STG)}$	Device turns failed output off and retries with constant current $I_{(retry)}$, ignoring the PWM input.	Auto recovery
Overtemperature	$T_J > T_{(TSD)}$		$t_{(TSD_deg)}$	Pull up to $V_{(FAULT_TSD)}$	Device turns all output channels off.	Auto recovery

Table 7-2. Fault Table With DIAGEN = LOW (Full Function)

FAULT TYPE	DETECTION MECHANISM	CONTROL INPUT	DEGLITCH TIME	FAULT BUS	FAULT HANDLING ROUTINE	FAULT RECOVERY
Open-circuit or short-to-battery	Ignored					
Short-to-ground	$V_{(OUT)} < V_{(SG_th_falling)}$ OR $V_{(RES)} < V_{(SG_th_falling)}$	EN/PWM = H, ADIM = H	$t_{(SG_deg)}$	Pull up to $V_{(FAULT_STG)}$	Device turns output off and retries with constant current $I_{(retry)}$, ignoring the PWM input.	Auto recovery
Overtemperature	$T_J > T_{(TSD)}$		$t_{(TSD_deg)}$	Pull up to $V_{(FAULT_TSD)}$	Device turns all output channels off.	Auto recovery

7.3.9 LED Fault Summary

Table 7-3. LED Connection Fault Summary

<p>Case 1</p> 	<p>Case 2</p> 	<p>Case 3</p> 	<p>Case 4</p> 
<p>LED Short-to-GND Fault</p>	<p>LED Short-to-GND Fault</p>	<p>LED Short-to-GND Fault</p>	<p>LED Short-to-GND Fault</p>
<p>Case 5</p> 	<p>Case 6</p> 	<p>Case 7</p> 	<p>Case 8</p> 
<p>LED Open Fault</p>	<p>No Fault</p>	<p>LED Open Fault</p>	<p>LED Open Fault</p>
<p>Case 9</p> 	<p>Case 10</p> 	<p>Case 11</p> 	<p>Case 12</p> 
<p>Short to battery Fault</p>	<p>Short to battery Fault</p>	<p>LED Open Fault</p>	<p>No Fault</p>

7.3.10 IO Pins Inner Connection

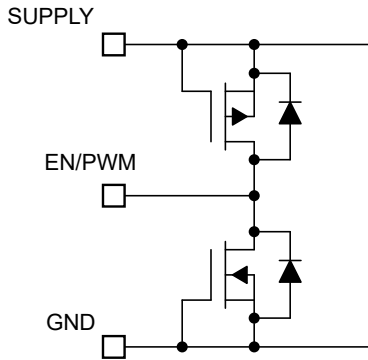


Figure 7-6. EN/PWM Pin

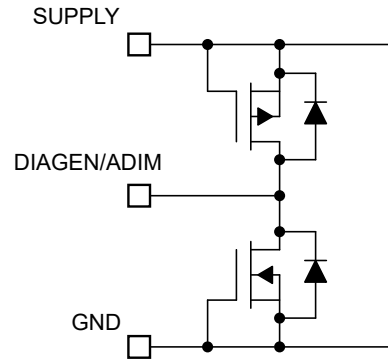


Figure 7-7. DIAGEN/ADIM Pin

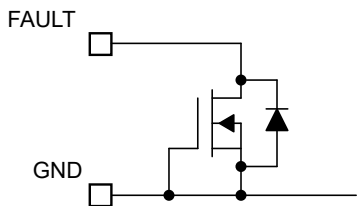


Figure 7-8. FAULT Pin

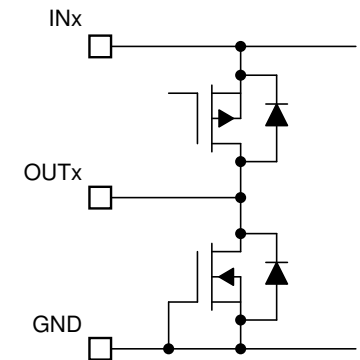


Figure 7-9. OUTx Pins

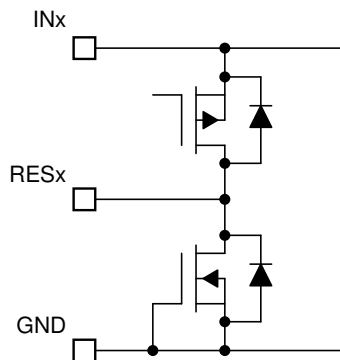


Figure 7-10. RESx Pins

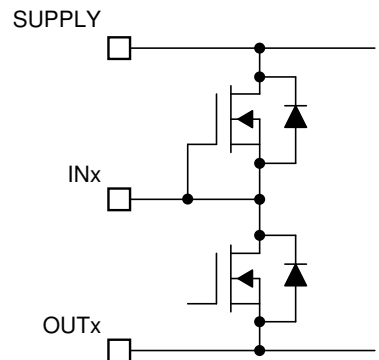


Figure 7-11. INx Pins

7.4 Device Functional Modes

7.4.1 Undervoltage Lockout, $V_{(SUPPLY)} < V_{(POR_rising)}$

When the device is in undervoltage lockout status, the TPS92629-Q1 device disables all functions until the supply rises above the $V_{(POR_rising)}$ threshold.

7.4.2 Normal Operation $V_{(SUPPLY)} \geq 4.5\text{ V}$

The device drives an LED string in normal operation. With enough voltage drop across SUPPLY and OUT, the device is able to drive the output in constant-current mode.

7.4.3 Low-Voltage Dropout Operation

When the device drives an LED string in low-dropout operation, if the $V_{(DROPOUT)}$ is less than the open-circuit detection threshold, the device can report a false open-circuit or short-to-battery fault. TI recommends only enabling the open-circuit and short-to-battery detection when the voltage across the IN and OUTx is higher than the maximum voltage of LED open rising threshold to avoid a false open-circuit or short-to-battery detection.

7.4.4 Fault Mode

When the TPS92629-Q1 detects a fault, the device tries to pull down the $\overline{\text{FAULT}}$ pin with a constant current. If the FAULT bus is pulled down, the device switches to fault mode and consumes a fault current of $I_{(FAULT)}$.

8 Application and Implementation

Note

Information in the following applications sections is not part of the TI component specification, and TI does not warrant its accuracy or completeness. TI's customers are responsible for determining suitability of components for their purposes, as well as validating and testing their design implementation to confirm system functionality.

8.1 Application Information

In automotive lighting applications, thermal performance and LED diagnostics are always design challenges for linear LED drivers.

The TPS92629-Q1 device is capable of detecting LED open-circuit and LED short-circuits. To increase current driving capability, the TPS92629-Q1 device supports using an external shunt resistor to help dissipate heat as the following section, [Thermal Sharing Resistor \(OUT and RES\)](#), describes. This method provides a low-cost solution of using external resistors to minimize thermal accumulation on the device itself due to large voltage difference between input voltage and LED string forward voltage, while still keeping high accuracy of the total current output.

8.2 Typical Applications

8.2.1 Using Analog Dimming Controlled By MCU for Blind Spot Detection

The TPS92629-Q1 device is able to achieve analog dimming by PWM input at ADIM pin. 20kHz PWM frequency is selected here for the ADIM input for small output current ripple. The fault pin is connected to the ADC of MCU through a resistor divider to report different kind of fault for safety critical system, like blind spot detection.

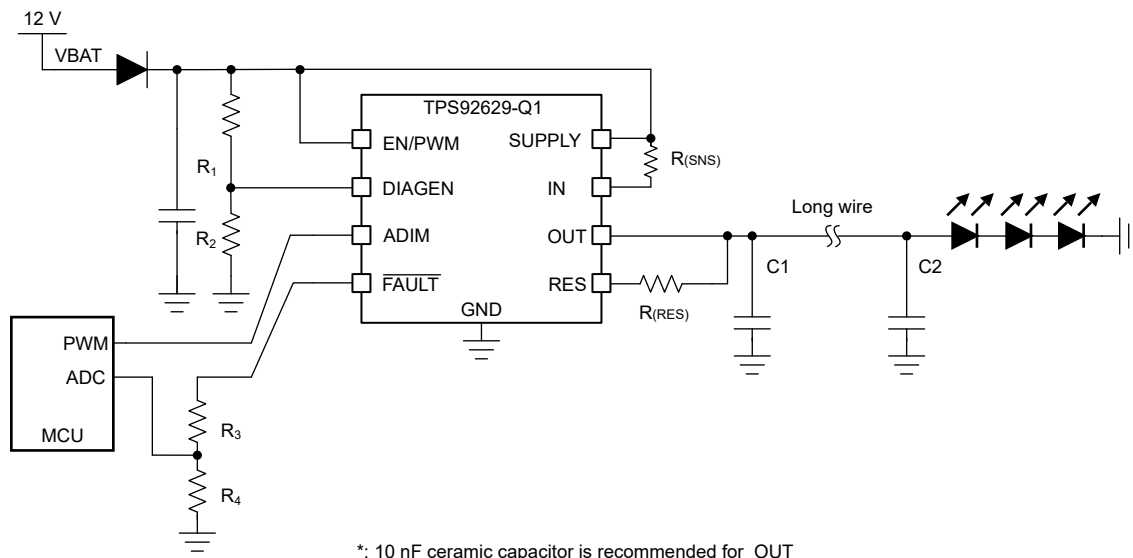


Figure 8-1. Typical Application Schematic

8.2.1.1 Design Requirements

Input voltage range is from 9 V to 16 V, and 3 LEDs in one string are required to achieve analog dimming for different brightness control and flash dimming control. The LED maximum forward voltage, V_{F_MAX} is 2.5 V for each LED, however the minimum forward voltage, V_{F_MIN} is 1.9 V. Maximum LED current is 100 mA

8.2.1.2 Detailed Design Procedure

Step 1: Determine the current sensing resistor, $R_{(SNSx)}$ by using [Equation 3](#).

$$R_{(SNSx)} = \frac{V_{(CS_REG)}}{I_{(OUTx_Tot)}} \quad (3)$$

where

- $V_{(CS_REG)} = 463.5$ mV (typical)
- $I_{(OUTx_Tot)} = 100$ mA

According to design requirements, output current for the LED channel is 100 mA so that the calculated $R_{(SNS)} = 4.63 \Omega$ and a 4.64Ω resistor is selected.

Step 2: Design the current distribution between $I_{(OUTx)}$ and $I_{(RESx)}$, and calculate the current sharing resistor, $R_{(RESx)}$, by using [Equation 4](#). The $R_{(RESx)}$ value actually decides the current distribution for $I_{(OUTx)}$ path and $I_{(RESx)}$ path, basic principle is to design the $R_{(RESx)}$ to consume appropriate 50% total power dissipation at typical supply operating voltage.

$$R_{(RESx)} = \frac{V_{(SUPPLY)} - V_{(OUTx)}}{I_{(OUTx_Tot)} \times 0.5} \quad (4)$$

where

- $V_{(SUPPLY)} = 12$ V (typical)
- $I_{(OUTx_Tot)} = 100$ mA (maximum)

The calculated result for $R_{(RES)}$ resistor value is 108Ω when $V_{(OUTx)}$ is typical 3×2.2 V = 6.6 V. A 107Ω resistor is selected

Step 3: Design the threshold voltage of SUPPLY to enable the LED open-circuit, and calculate voltage divider resistor value for **R1** and **R2** on DIAGEN pin.

The maximum forward voltage of LED-string is 3×2.5 V = 7.5 V. To avoid the open-circuit fault or short-to-battery fault reported in low-dropout operation conditions, additional headroom between SUPPLY and OUTx must be considered. The TPS92629-Q1 device must disable open-circuit and short-to-battery detection when the supply voltage is below LED-string maximum forward voltage plus $V_{(OPEN_th_rising)}$ and $V_{(CS_REG)}$. The voltage divider resistor, R1 and R2 value can be calculated by [Equation 5](#).

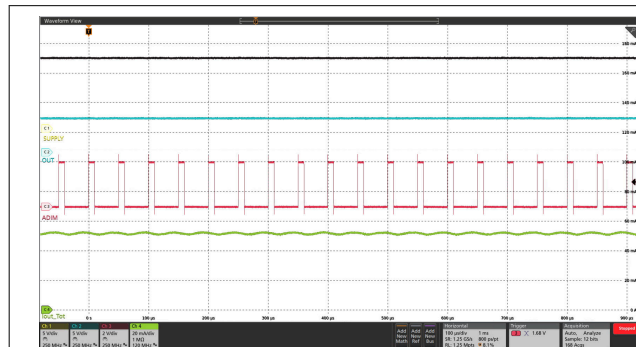
$$R_1 = \left(\frac{V_{(OPEN_th_rising)} + V_{(CS_REG)} + V_{(OUTx)}}{V_{IL(DIAGEN)}} - 1 \right) \times R_2 \quad (5)$$

where

- $V_{(OPEN_th_rising)} = 420$ mV (maximum)
- $V_{(CS_REG)} = 489$ mV (maximum)
- $V_{IL(DIAGEN)} = 1.045$ V (minimum)
- $R_2 = 10$ k Ω (recommended)

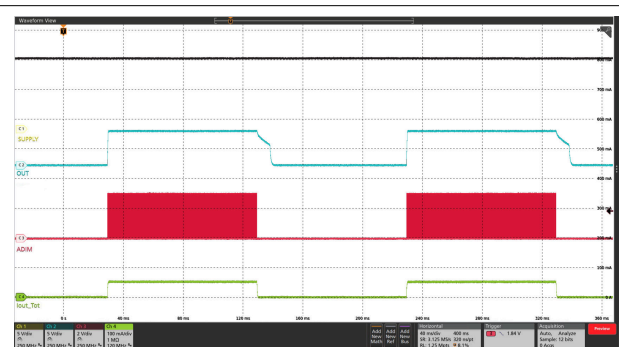
The calculated result for R1 is 70.5 k Ω when $V_{(OUTx)}$ maximum voltage is 7.5 V and $V_{(CS_REG)}$ is 420 mV. A 70.6 k Ω resistor is selected

8.2.1.3 Application Curves



Ch1 = $V_{(SUPPLY)}$ Ch2 = $V_{(OUT)}$ Ch3 = $V_{(ADIM)}$
 Ch4 = $I_{(OUT_Tot)}$

Figure 8-2. Analog dimming at 20 kHz



Ch1 = $V_{(SUPPLY)}$ Ch2 = $V_{(OUT)}$ Ch3 = $V_{(ADIM)}$
 Ch4 = $I_{(OUT_Tot)}$

Figure 8-3. Flash dimming control

8.3 Power Supply Recommendations

The TPS92629-Q1 is designed to operate from an automobile electrical power system within the range specified in [Power Supply](#). The $V_{(SUPPLY)}$ input must be protected from reverse voltage and voltage dump condition over 40 V. The impedance of the input supply rail must be low enough that the input current transient does not cause drop below LED string required forward voltage. If the input supply is connected with long wires, additional bulk capacitance can be required in addition to normal input capacitor.

8.4 Layout

8.4.1 Layout Guidelines

Thermal dissipation is the primary consideration for TPS92629-Q1 layout.

- TI recommends large thermal dissipation area in both top and bottom layers of PCB. The copper pouring area in same layer with TPS92629-Q1 footprint must directly cover the thermal pad land of the device with wide connection as much as possible. The copper pouring in opposite PCB layer or inner layers must be connected to thermal pad directly through multiple thermal vias.
- TI recommends to place $R_{(RES)}$ resistors away from the TPS92629-Q1 device with more than 20-mm distance, because $R_{(RES)}$ resistors are dissipating some amount of the power as well as the TPS92629-Q1. Place two heat source components apart to reduce the thermal accumulation concentrated at small PCB area. The large copper pouring area is also required surrounding the $R_{(RES)}$ resistors for helping thermal dissipating.

The noise immunity is the secondary consideration for TPS92629-Q1 layout.

- TI recommends to place the noise decoupling capacitors for SUPPLY pin as close as possible to the pins.
- TI recommends to place the $R_{(SNS)}$ resistor as close as possible to the INx pins with the shortest PCB track to SUPPLY pin.

8.4.2 Layout Example

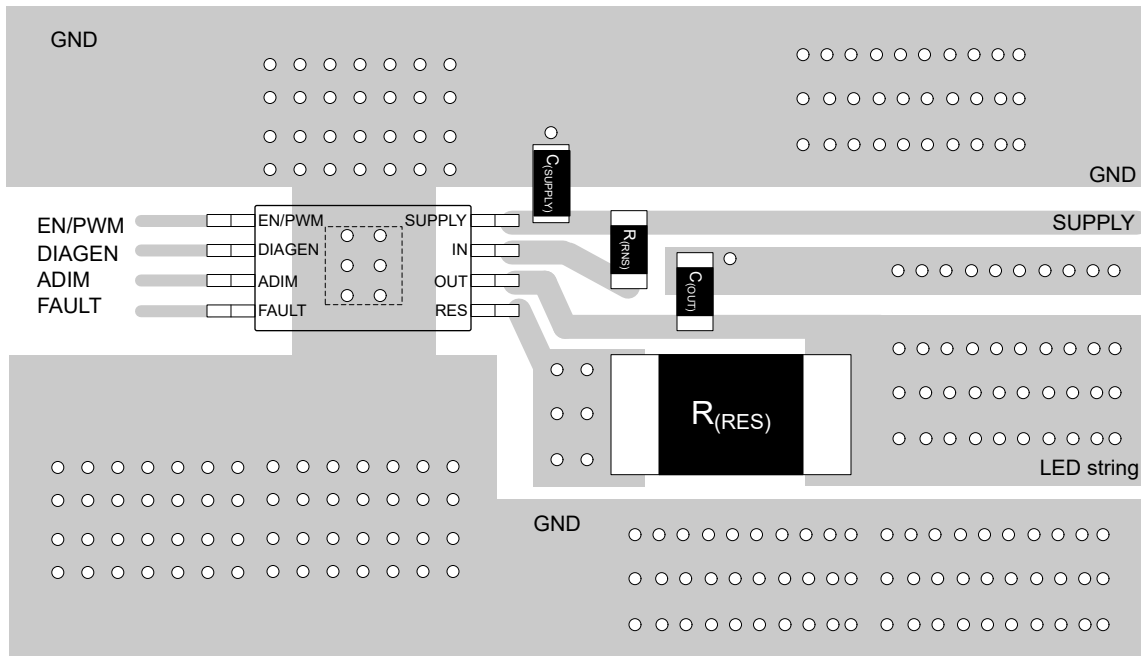


Figure 8-4. TPS92629-Q1 Example Layout Diagram

9 Device and Documentation Support

9.1 Receiving Notification of Documentation Updates

To receive notification of documentation updates, navigate to the device product folder on ti.com. Click on *Subscribe to updates* to register and receive a weekly digest of any product information that has changed. For change details, review the revision history included in any revised document.

9.2 Support Resources

[TI E2E™ support forums](#) are an engineer's go-to source for fast, verified answers and design help — straight from the experts. Search existing answers or ask your own question to get the quick design help you need.

Linked content is provided "AS IS" by the respective contributors. They do not constitute TI specifications and do not necessarily reflect TI's views; see TI's [Terms of Use](#).

9.3 Trademarks

PowerPAD™ and TI E2E™ are trademarks of Texas Instruments.
All trademarks are the property of their respective owners.

9.4 Electrostatic Discharge Caution



This integrated circuit can be damaged by ESD. Texas Instruments recommends that all integrated circuits be handled with appropriate precautions. Failure to observe proper handling and installation procedures can cause damage.

ESD damage can range from subtle performance degradation to complete device failure. Precision integrated circuits may be more susceptible to damage because very small parametric changes could cause the device not to meet its published specifications.

9.5 Glossary

[TI Glossary](#) This glossary lists and explains terms, acronyms, and definitions.

10 Mechanical, Packaging, and Orderable Information

The following pages include mechanical, packaging, and orderable information. This information is the most current data available for the designated devices. This data is subject to change without notice and revision of this document. For browser-based versions of this data sheet, refer to the left-hand navigation.

PACKAGING INFORMATION

Orderable part number	Status (1)	Material type (2)	Package Pins	Package qty Carrier	RoHS (3)	Lead finish/ Ball material (4)	MSL rating/ Peak reflow (5)	Op temp (°C)	Part marking (6)
TPS92629QDGNRQ1	Active	Production	HVSSOP (DGN) 8	2500 LARGE T&R	Yes	NIPDAU	Level-2-260C-1 YEAR	-40 to 125	2TKT
TPS92629QDGNRQ1.A	Active	Production	HVSSOP (DGN) 8	2500 LARGE T&R	Yes	NIPDAU	Level-2-260C-1 YEAR	-40 to 125	2TKT

(1) **Status:** For more details on status, see our [product life cycle](#).

(2) **Material type:** When designated, preproduction parts are prototypes/experimental devices, and are not yet approved or released for full production. Testing and final process, including without limitation quality assurance, reliability performance testing, and/or process qualification, may not yet be complete, and this item is subject to further changes or possible discontinuation. If available for ordering, purchases will be subject to an additional waiver at checkout, and are intended for early internal evaluation purposes only. These items are sold without warranties of any kind.

(3) **RoHS values:** Yes, No, RoHS Exempt. See the [TI RoHS Statement](#) for additional information and value definition.

(4) **Lead finish/Ball material:** Parts may have multiple material finish options. Finish options are separated by a vertical ruled line. Lead finish/Ball material values may wrap to two lines if the finish value exceeds the maximum column width.

(5) **MSL rating/Peak reflow:** The moisture sensitivity level ratings and peak solder (reflow) temperatures. In the event that a part has multiple moisture sensitivity ratings, only the lowest level per JEDEC standards is shown. Refer to the shipping label for the actual reflow temperature that will be used to mount the part to the printed circuit board.

(6) **Part marking:** There may be an additional marking, which relates to the logo, the lot trace code information, or the environmental category of the part.

Multiple part markings will be inside parentheses. Only one part marking contained in parentheses and separated by a "~" will appear on a part. If a line is indented then it is a continuation of the previous line and the two combined represent the entire part marking for that device.

Important Information and Disclaimer:The information provided on this page represents TI's knowledge and belief as of the date that it is provided. TI bases its knowledge and belief on information provided by third parties, and makes no representation or warranty as to the accuracy of such information. Efforts are underway to better integrate information from third parties. TI has taken and continues to take reasonable steps to provide representative and accurate information but may not have conducted destructive testing or chemical analysis on incoming materials and chemicals. TI and TI suppliers consider certain information to be proprietary, and thus CAS numbers and other limited information may not be available for release.

In no event shall TI's liability arising out of such information exceed the total purchase price of the TI part(s) at issue in this document sold by TI to Customer on an annual basis.

TAPE AND REEL INFORMATION

QUADRANT ASSIGNMENTS FOR PIN 1 ORIENTATION IN TAPE


*All dimensions are nominal

Device	Package Type	Package Drawing	Pins	SPQ	Reel Diameter (mm)	Reel Width W1 (mm)	A0 (mm)	B0 (mm)	K0 (mm)	P1 (mm)	W (mm)	Pin1 Quadrant
TPS92629QDGNRQ1	HVSSOP	DGN	8	2500	330.0	12.4	5.25	3.35	1.25	8.0	12.0	Q1

TAPE AND REEL BOX DIMENSIONS


*All dimensions are nominal

Device	Package Type	Package Drawing	Pins	SPQ	Length (mm)	Width (mm)	Height (mm)
TPS92629QDGNRQ1	HVSSOP	DGN	8	2500	366.0	364.0	50.0

GENERIC PACKAGE VIEW

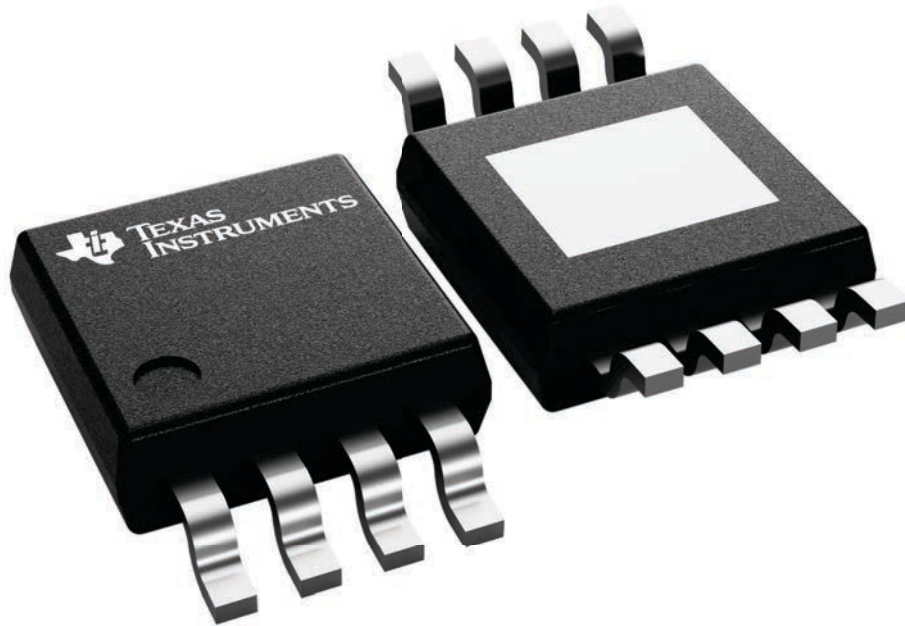
DGN 8

PowerPAD™ HVSSOP - 1.1 mm max height

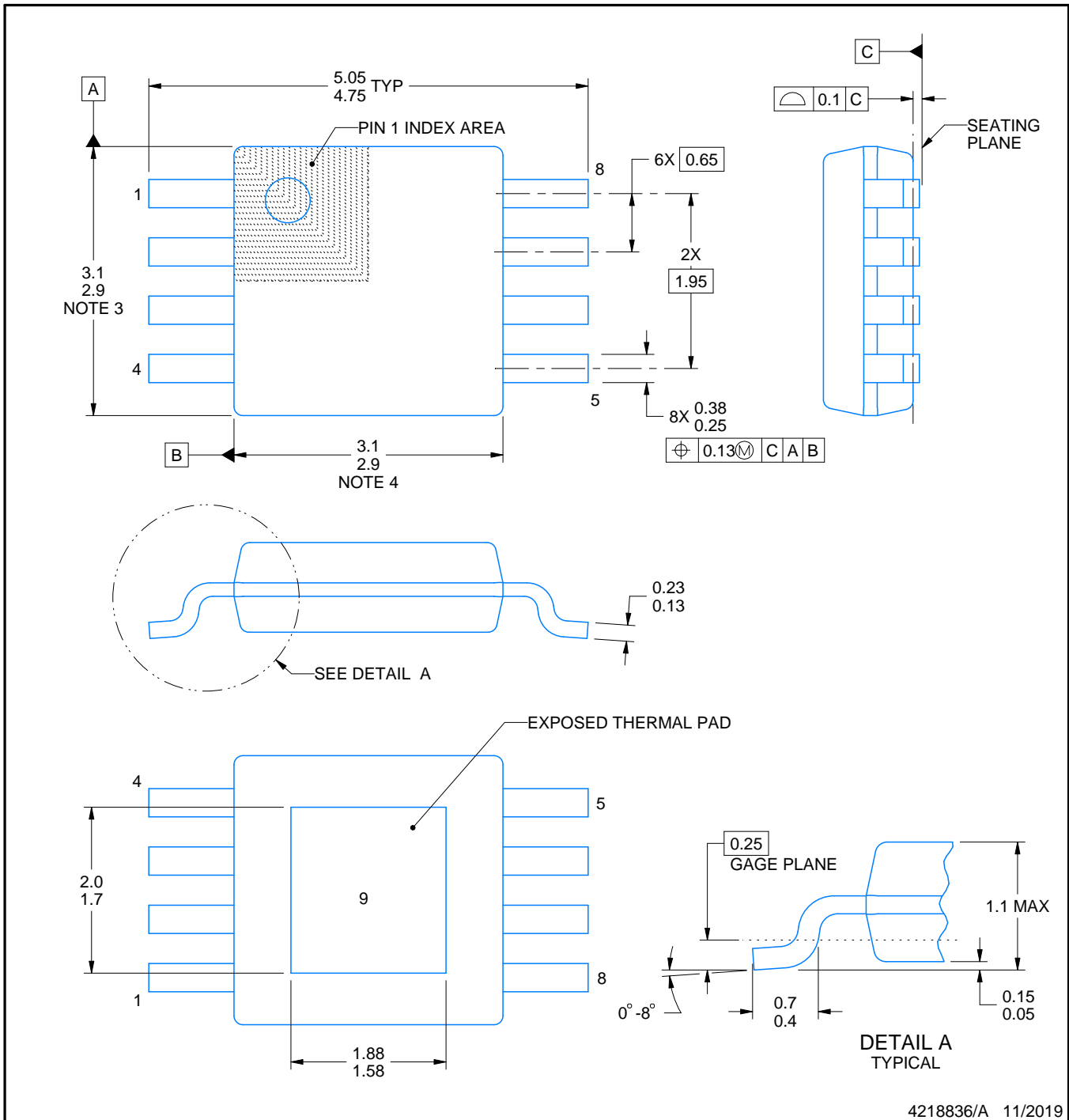
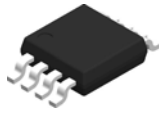
3 x 3, 0.65 mm pitch

SMALL OUTLINE PACKAGE

This image is a representation of the package family, actual package may vary.
Refer to the product data sheet for package details.



4225482/B



4218836/A 11/2019

NOTES:

PowerPAD is a trademark of Texas Instruments.

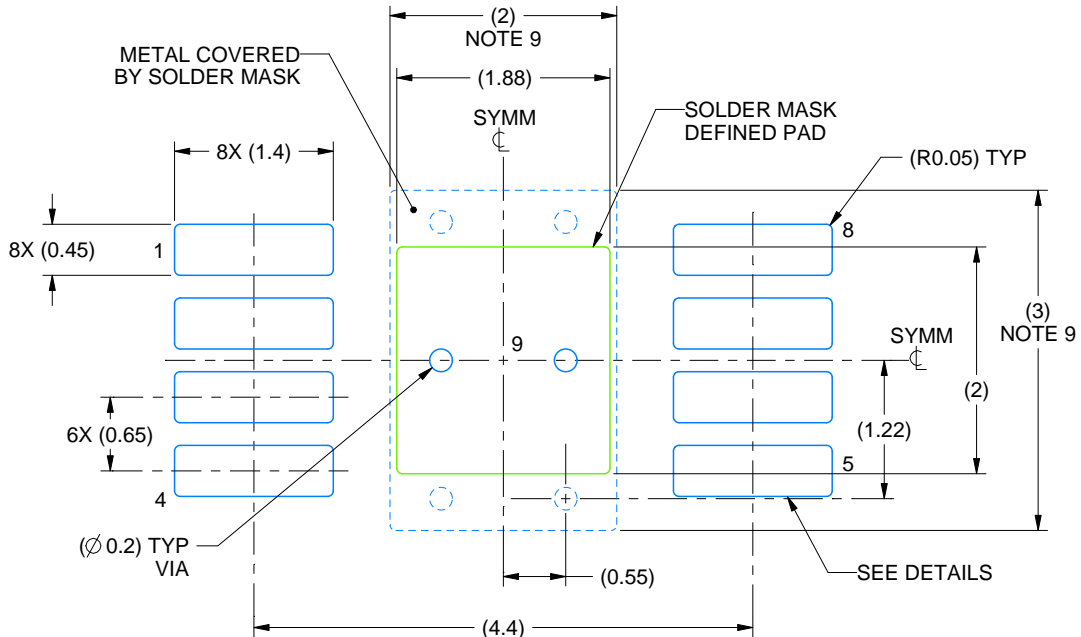
1. All linear dimensions are in millimeters. Any dimensions in parenthesis are for reference only. Dimensioning and tolerancing per ASME Y14.5M.
2. This drawing is subject to change without notice.
3. This dimension does not include mold flash, protrusions, or gate burrs. Mold flash, protrusions, or gate burrs shall not exceed 0.15 mm per side.
4. This dimension does not include interlead flash. Interlead flash shall not exceed 0.25 mm per side.
5. Reference JEDEC registration MO-187.

EXAMPLE BOARD LAYOUT

DGN0008A

PowerPAD™ VSSOP - 1.1 mm max height

SMALL OUTLINE PACKAGE



LAND PATTERN EXAMPLE
EXPOSED METAL SHOWN
SCALE: 15X



SOLDER MASK DETAILS

4218836/A 11/2019

NOTES: (continued)

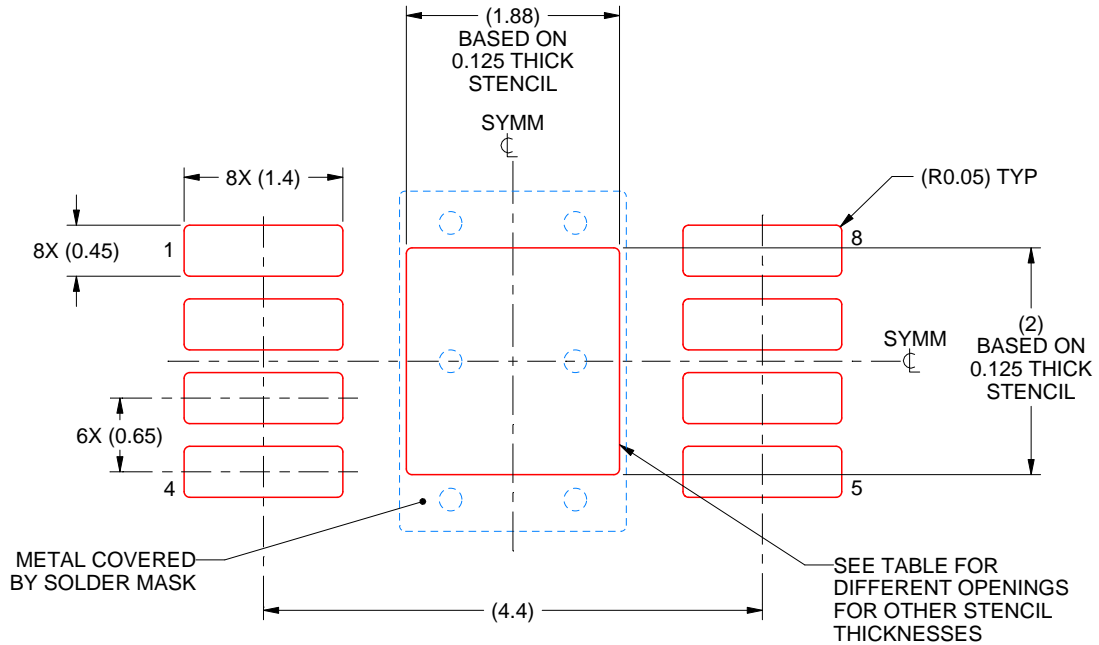
6. Publication IPC-7351 may have alternate designs.
7. Solder mask tolerances between and around signal pads can vary based on board fabrication site.
8. Vias are optional depending on application, refer to device data sheet. If any vias are implemented, refer to their locations shown on this view. It is recommended that vias under paste be filled, plugged or tented.
9. Size of metal pad may vary due to creepage requirement.

EXAMPLE STENCIL DESIGN

DGN0008A

PowerPAD™ VSSOP - 1.1 mm max height

SMALL OUTLINE PACKAGE



SOLDER PASTE EXAMPLE
 EXPOSED PAD 9:
 100% PRINTED SOLDER COVERAGE BY AREA
 SCALE: 15X

STENCIL THICKNESS	SOLDER STENCIL OPENING
0.1	2.10 X 2.24
0.125	1.88 X 2.00 (SHOWN)
0.15	1.72 X 1.83
0.175	1.59 X 1.69

4218836/A 11/2019

NOTES: (continued)

10. Laser cutting apertures with trapezoidal walls and rounded corners may offer better paste release. IPC-7525 may have alternate design recommendations.
11. Board assembly site may have different recommendations for stencil design.

IMPORTANT NOTICE AND DISCLAIMER

TI PROVIDES TECHNICAL AND RELIABILITY DATA (INCLUDING DATASHEETS), DESIGN RESOURCES (INCLUDING REFERENCE DESIGNS), APPLICATION OR OTHER DESIGN ADVICE, WEB TOOLS, SAFETY INFORMATION, AND OTHER RESOURCES "AS IS" AND WITH ALL FAULTS, AND DISCLAIMS ALL WARRANTIES, EXPRESS AND IMPLIED, INCLUDING WITHOUT LIMITATION ANY IMPLIED WARRANTIES OF MERCHANTABILITY, FITNESS FOR A PARTICULAR PURPOSE OR NON-INFRINGEMENT OF THIRD PARTY INTELLECTUAL PROPERTY RIGHTS.

These resources are intended for skilled developers designing with TI products. You are solely responsible for (1) selecting the appropriate TI products for your application, (2) designing, validating and testing your application, and (3) ensuring your application meets applicable standards, and any other safety, security, regulatory or other requirements.

These resources are subject to change without notice. TI grants you permission to use these resources only for development of an application that uses the TI products described in the resource. Other reproduction and display of these resources is prohibited. No license is granted to any other TI intellectual property right or to any third party intellectual property right. TI disclaims responsibility for, and you fully indemnify TI and its representatives against any claims, damages, costs, losses, and liabilities arising out of your use of these resources.

TI's products are provided subject to [TI's Terms of Sale](#), [TI's General Quality Guidelines](#), or other applicable terms available either on [ti.com](#) or provided in conjunction with such TI products. TI's provision of these resources does not expand or otherwise alter TI's applicable warranties or warranty disclaimers for TI products. Unless TI explicitly designates a product as custom or customer-specified, TI products are standard, catalog, general purpose devices.

TI objects to and rejects any additional or different terms you may propose.

Copyright © 2025, Texas Instruments Incorporated

Last updated 10/2025