

Driving a Low-Voltage Single-Ended SAR ADC Circuit With High-Voltage Input



Hasan Babiker

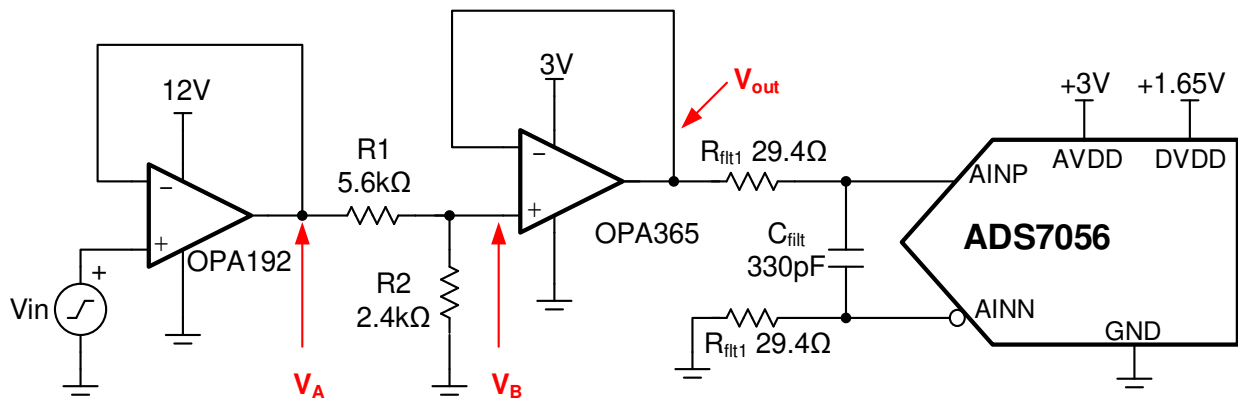
Input	ADC Input	Digital Output ADS7056
VinMin = 0V	AIN_P = 0V, AIN_M = 0V	000 _H or 0 ₁₀
VinMax = 10V	AIN_P = 3.3V, AIN_M = 0V	FFF _H or 4096 ₁₀

Power Supplies

Vcc	AVDD	DVDD
12V	3V	1.65V

Design Description

This design is meant for increases the input range of a low-power SAR ADC by attenuating the input signal to match the full-scale range. The values in the component selection section can be adjusted to allow for a different input voltage range on the amplifier and full-scale range on the ADC. The input signal in this design is first buffered by the OPA192 device, a high-voltage precision amplifier, to avoid gain errors from the signal source impedance. A resistor divider at the output of the OPA192 device is then used to attenuate the signal and is again buffered by the OPA365 device. This wide-bandwidth amplifier allows the ADS7056 device to be used at a max sampling rate of 2.5MSPS. This circuit implementation is applicable to *test and measurement, appliances,* and *factory automation and control.* In general, this circuit can be used for most applications where a higher voltage signal needs to interface with a low-voltage single-ended ADC.



Specifications

Specification	Goal	Calculated	Simulated
Transient ADC Input Settling	$< 0.5 \times \text{LSB} = 91.5\mu\text{V}$		16 μV
Bandwidth	$> 5\text{MHz}$	8.09MHz	7.04MHz
Noise	$< 0.5 \times \text{LSB}$	20.85 μV_{RMS}	22.74 μV_{RMS}

Design Notes

1. The input amplifier (OPA192) needs a common mode range from 0V to 10V. Since the negative supply is grounded, input swing to the negative rail or a rail-to-rail amplifier is required. The OPA365 device has a similar rail-to-rail requirement.
2. The output swing of the amplifiers limits the usable range near ground. Use a small negative supply (for example, -0.3V) to provide output swing to ground. See [Powering a dual-supply op-amp circuit with one LDO](#) for a circuit to generate this supply.
3. Select C0G capacitors for Cfilt to minimize distortion.

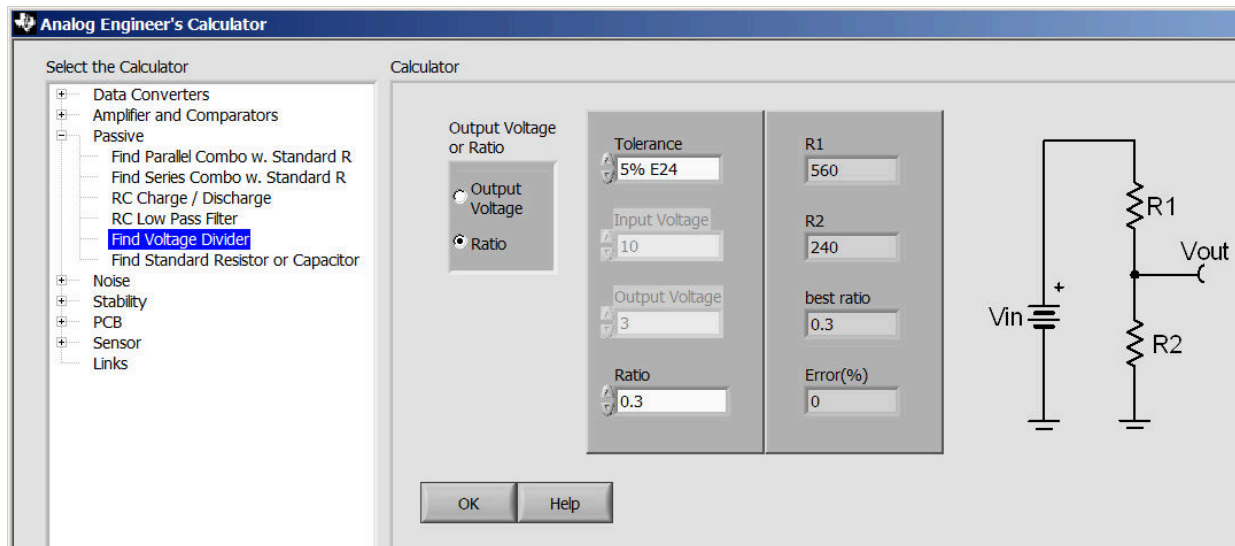
Component Selection

1. Find the maximum and minimum output for the linear operation of the input buffer OPA192. Use this with the gain in step 3 to calculate the overall linear range of the OPA192 device.
 - $(V-) - 0.1V < V_A < (V+) + 0.1V$ from OPA192 V_{cm} specification
 - $(V-) + 0.110V < V_A < (V+) - 0.110V$ from OPA192 V_{out} swing specification
 - $(V-) + 0.3V < V_A < (V+) - 0.3V$ from OPA192 A_{ol} linear region specification
 - Combining the limitations, the overall range is $(V-) + 0.3V < V_A < (V+) - 0.3V$
 - Replacing $(V-) = 0V$ and $(V+) = 12V$ for the OPA192 supplies, the limit is $0.3V < V_A < 11.7V$
2. Find the gain based on input signal and ADC full-scale input range

$$\text{Gain} = \frac{V_{ADC(\text{range})}}{V_{in(\text{range})}} = \frac{3V}{10V} = 0.3V / V$$

3. Find standard resistor values for voltage divider to provide gain. Use the [Analog engineer's calculator](#) to find standard values for voltage divider ratio.

$$\text{Gain} = \frac{R_2}{R_1 + R_2} = \frac{2.4k\Omega}{5.6k\Omega + 2.4k\Omega} = 0.3V / V$$

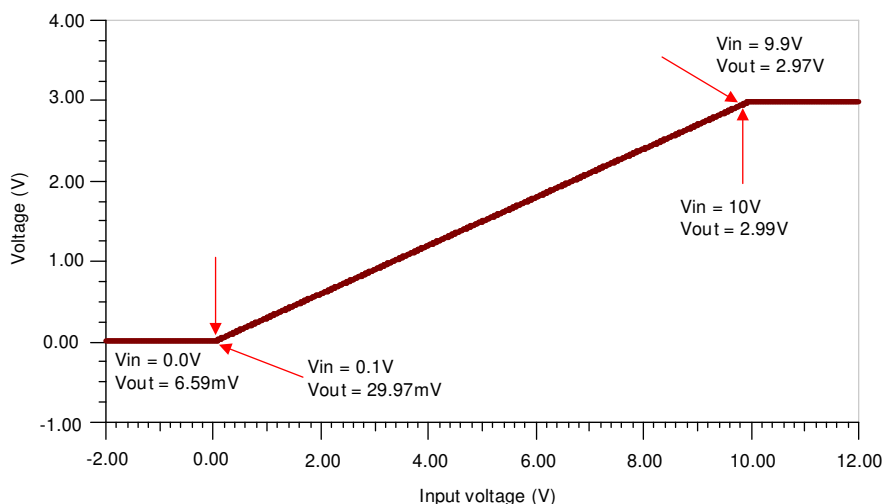


4. The linear range for V_B consists of the range found in step one multiplied by our gain. The range is therefore: $0.09V < V_B < 3.51V$.
5. Maximum and minimum output for linear operation of the OPA365:
 - $(V-) - 0.1V < V_{out} < (V+) + 0.1V$ from OPA365 V_{cm} specification
 - $(V-) + 0.02V < V_{out} < (V+) - 0.02V$ from OPA365 V_{out} swing specification
 - $(V-) + 0.1V < V_{out} < (V+) - 0.1V$ from OPA365 A_{ol} linear region specification
 - Combining the limitations, the overall range for OPA365 is $(V-) + 0.1V < V_{out} < (V+) - 0.1V$
 - Replacing $(V-) = 0V$ and $(V+) = 3V$ for the OPA365 supplies, the limit is $0.1V < V_A < 2.9V$

6. Combining the range from the OPA192 and the OPA365:
 - The linear range seen by the ADC is the worst case of the range of V_B from the OPA192 (see [step 4](#)) and V_{out} from the OPA365 (see [step 5](#)).
 - ADC Range: $0.1V < V_{out} \leq 2.9V$
7. Find R_{filt} and C_{filt} to allow for settling at 2.5MSPS. See the TI Precision Labs – ADCs: [Refine the Rfilt and Cfilt Values](#) video showing the algorithm for selecting R_{filt} and C_{filt} . The final value of 29.4 Ω and 330pF proved to settle to well below $\frac{1}{2}$ of a least significant bit (LSB).

DC Transfer Characteristics

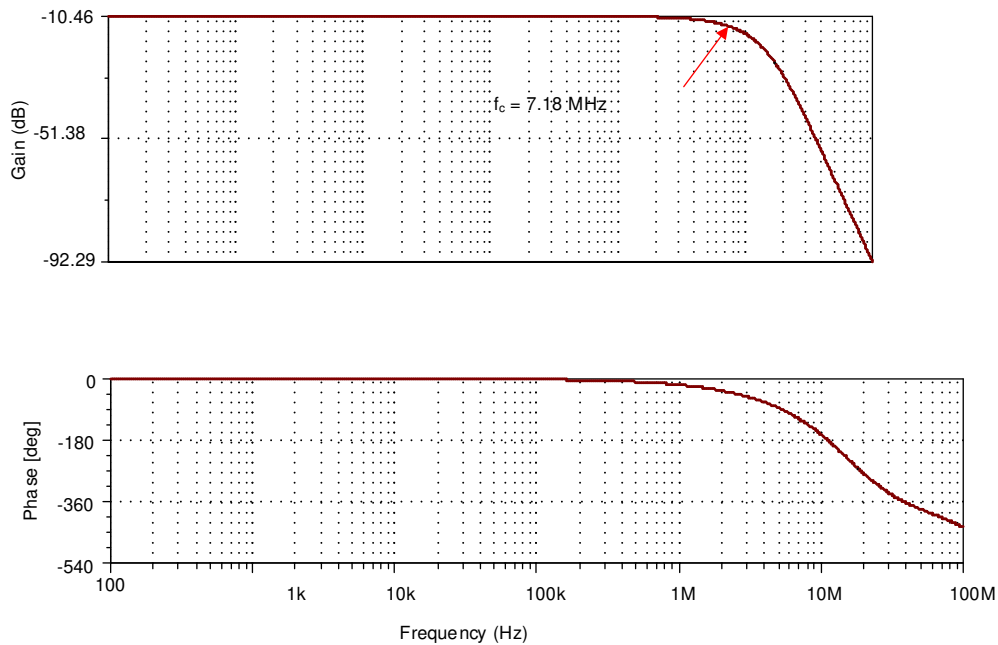
The following graph shows a linear output response for inputs from 0V to 10V. The image shows there is degraded performance towards both AVDD and ground. This is due to the linear ranges of the amplifiers in the *Component Selection* section. To improve performance at these extremes, the power supplies can be adjusted so that the linear range of both amplifiers fall within the full-scale range of the ADC.



AC Transfer Characteristics

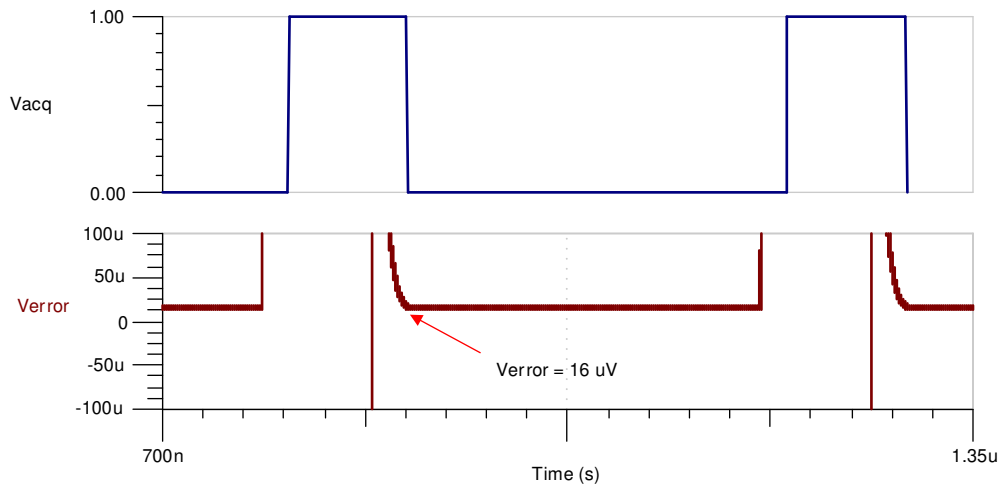
The bandwidth is simulated at approximately 7MHz at the $-3dB$ point. The bandwidth is limited by both the OPA192 device and the RC charge bucket circuit (R_{filt} and C_{filt}). The bandwidth of the RC circuit is shown in the following equation to be 8.2MHz. The OPA192 device has a 10-MHz bandwidth which also affects the overall bandwidth of the circuit. The bandwidth goal was selected to be two times greater than that of the sampling frequency to allow for proper settling.

$$f_c = \frac{1}{2\pi \cdot (2 \cdot 29.4\Omega) \cdot (330\text{pF})} = 8.2\text{MHz}$$



Transient ADC Input Settling Simulation

The following simulation shows settling for a 9-V DC input signal. This type of simulation shows that the sample and hold kickback circuit is properly selected to within $\frac{1}{2}$ of a LSB (91.5 μ V). See the [Introduction to SAR ADC Front-End Component Selection](#) video for detailed theory on this subject.



Noise Simulation

This section details a simplified noise calculation for a rough estimate. Noise from the OPA192 is attenuated by the resistor divider as shown:

$$e_{n\text{OPA192}} = 5.5 \frac{\text{nV}}{\sqrt{\text{Hz}}} \cdot 0.3 \frac{\text{V}}{\text{V}} = 1.65 \frac{\text{nV}}{\sqrt{\text{Hz}}}$$

Resistor divider noise:

$$e_{n\text{div}} = \sqrt{4kTR} = \sqrt{4 \cdot (1.381 \cdot 10^{-23}) \cdot (273 + 25) \cdot 1.68 \text{ k}\Omega} = 5.259 \frac{\text{nV}}{\sqrt{\text{Hz}}}$$

OPA365 noise density:

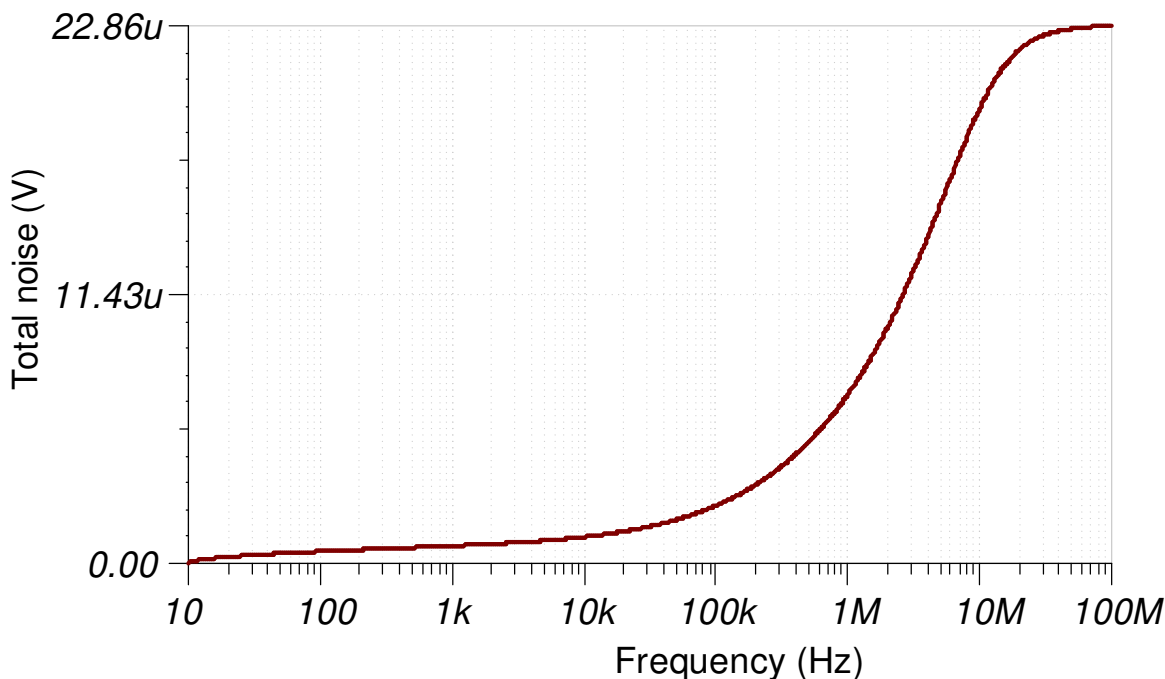
$$e_{n\text{OPA365}} = 4.5 \frac{\text{nV}}{\sqrt{\text{Hz}}}$$

Total noise:

$$e_{n\text{TOT}} = \sqrt{e_{n\text{OPA192}}^2 + e_{n\text{div}}^2 + e_{n\text{OPA365}}^2} \cdot \sqrt{K_n \cdot f_c}$$

$$e_{n\text{TOT}} = \sqrt{\left(1.65 \frac{\text{nV}}{\sqrt{\text{Hz}}}\right)^2 + \left(5.259 \frac{\text{nV}}{\sqrt{\text{Hz}}}\right)^2 + \left(4.5 \frac{\text{nV}}{\sqrt{\text{Hz}}}\right)^2} \cdot \sqrt{1.22 \cdot 7.18\text{MHz}} = 21.06 \mu\text{V}$$

Note that calculated and simulated values match well. See the [Calculating the Total Noise for ADC Systems](#) video for detailed theory on this subject.



Measured AC Results (FFT)

This performance was measured on a modified version of the ADS7056EVM with a 2-kHz input sine wave. The AC performance indicates SNR = 74.4dB, and THD = -84.07dB, which matches well with the specified performance of the ADC, SNR = 74.9dB and THD = -85dB. This test was performed at room temperature. See the [Introduction to Frequency Domain](#) video for more details on this subject.

Parameter	Data Sheet Specification (Typ)	Measured Result
SNR	74.9dB	74.4dB
THD	-85dB	-84.07dB



Design Featured Devices and Alternative Parts

Device	Key Features	Link	Other Possible Devices
ADS7056	14-bit resolution, SPI, 2.5-MSPS sample rate, single-ended input, AVDD/V _{REF} input range 2.35V to 3.6V, DVDD 1.65V to 3.6V	14-bit 2.5-MSPS ultra-low-power ultra-small-size SAR ADC with SPI	Precision ADCs
OPA192	8-kHz bandwidth, rail-to-rail output, 450-nA supply current, unity gain stable	High-Voltage, Rail-to-Rail Input/Output, 5μV, 0.2μV/°C, Precision Operational Amplifier	Operational amplifiers (op amps)
OPA365	50-MHz bandwidth, rail-to-rail output, zero-crossover, low offset 100μV, low noise 4.5nV/√Hz, slew rate 25V/μs	2.2V, 50MHz, Low-Noise, Single-Supply Rail-to-Rail Operational Amplifier	

Link to Key Files

Texas Instruments, [SBAA371 sources files](#), tool support

Trademarks

All trademarks are the property of their respective owners.

IMPORTANT NOTICE AND DISCLAIMER

TI PROVIDES TECHNICAL AND RELIABILITY DATA (INCLUDING DATA SHEETS), DESIGN RESOURCES (INCLUDING REFERENCE DESIGNS), APPLICATION OR OTHER DESIGN ADVICE, WEB TOOLS, SAFETY INFORMATION, AND OTHER RESOURCES "AS IS" AND WITH ALL FAULTS, AND DISCLAIMS ALL WARRANTIES, EXPRESS AND IMPLIED, INCLUDING WITHOUT LIMITATION ANY IMPLIED WARRANTIES OF MERCHANTABILITY, FITNESS FOR A PARTICULAR PURPOSE OR NON-INFRINGEMENT OF THIRD PARTY INTELLECTUAL PROPERTY RIGHTS.

These resources are intended for skilled developers designing with TI products. You are solely responsible for (1) selecting the appropriate TI products for your application, (2) designing, validating and testing your application, and (3) ensuring your application meets applicable standards, and any other safety, security, regulatory or other requirements.

These resources are subject to change without notice. TI grants you permission to use these resources only for development of an application that uses the TI products described in the resource. Other reproduction and display of these resources is prohibited. No license is granted to any other TI intellectual property right or to any third party intellectual property right. TI disclaims responsibility for, and you will fully indemnify TI and its representatives against, any claims, damages, costs, losses, and liabilities arising out of your use of these resources.

TI's products are provided subject to [TI's Terms of Sale](#) or other applicable terms available either on [ti.com](https://www.ti.com) or provided in conjunction with such TI products. TI's provision of these resources does not expand or otherwise alter TI's applicable warranties or warranty disclaimers for TI products.

TI objects to and rejects any additional or different terms you may have proposed.

Mailing Address: Texas Instruments, Post Office Box 655303, Dallas, Texas 75265
Copyright © 2024, Texas Instruments Incorporated