

TPS2552/3, Power-Distribution Switch With Adjustable Current-Limit EVM

This user's guide describes the TPS2552/3DBVEVM and TPS2552/3DRVEVM evaluation modules (EVM). This guide contains the EVM schematic, bill of materials, assembly drawing, and top and bottom board layouts.

1 Introduction

The TPS2552/3DBVEVM and TPS2552/3DRVEVM are evaluation modules (EVM) for Texas Instruments' family of power-distribution switches with adjustable current-limit. These EVMs operate over a 2.5-V to 6.5-V range. An onboard jumper sets the output current-limit to either 0.5 A or 1 A. Test points provide convenient access to all critical node voltages.

The silkscreen outline on the PCB top-side encloses components found in a typical USB application.

The PCB top-side accepts a power-distribution switch in a SOT23-6 package; the PCB bottom side accepts a power-distribution switch in the smaller SON package with a thermal pad. These switches have an enable input, an overcurrent status output, and overtemperature shutdown.

1.1 *Related Documentation from Texas Instruments*

TPS2552, TPS2553 data sheet (TI Literature Number SLVS841)

2 Electrical Specifications

The EVM meets the electrical specifications in [Table 1](#) over the recommended operating junction-temperature range of $-40^{\circ}\text{C} \leq T_J \leq 105^{\circ}\text{C}$ for the DRV (SON) package and $-40^{\circ}\text{C} \leq T_J \leq 125^{\circ}\text{C}$ for the DBV (SOT23-6) package.

Table 1. EVM Electrical Specifications

PARAMETER	CONDITION	MIN	TYP	MAX	UNIT
Input voltage, V_{IN}	J1	2.5	–	6.5	V
Short-circuit output current-limit, I_{LIMIT}	J2 shorting-jumper is absent, J3 is short circuited, TPS2552/3 is enabled	0.28	0.47	0.61	A
	J2 shorting-jumper is present, J3 is short circuited, TPS2552/3 is enabled	0.70	1.02	1.24	

2.1 Electrostatic Discharge

The EVM has been tested to IEC 61000-4-2. The level used was 8-kV contact discharge and 15-kV air discharge. Surges were applied to the EVM input and output. No damage to the TPS2552/3 was observed.

3 Schematic

3.1 EVM Options

Table 2. EVM Options

HPA364	DEVICE	DEVICE PACKAGE	ENABLE
-1	TPS2552DBV	SOT-23-6	Active Low
-2	TPS2553DBV	SOT-23-6	Active High
-3	TPS2552DBV-1	SOT-23-6	Active Low
-4	TPS2553DBV-1	SOT-23-6	Active High
-5	TPS2552DRV	SON	Active Low
-6	TPS2553DRV	SON	Active High
-7	TPS2552DRV-1	SON	Active Low
-8	TPS2553DRV-1	SON	Active High

3.2 Schematic

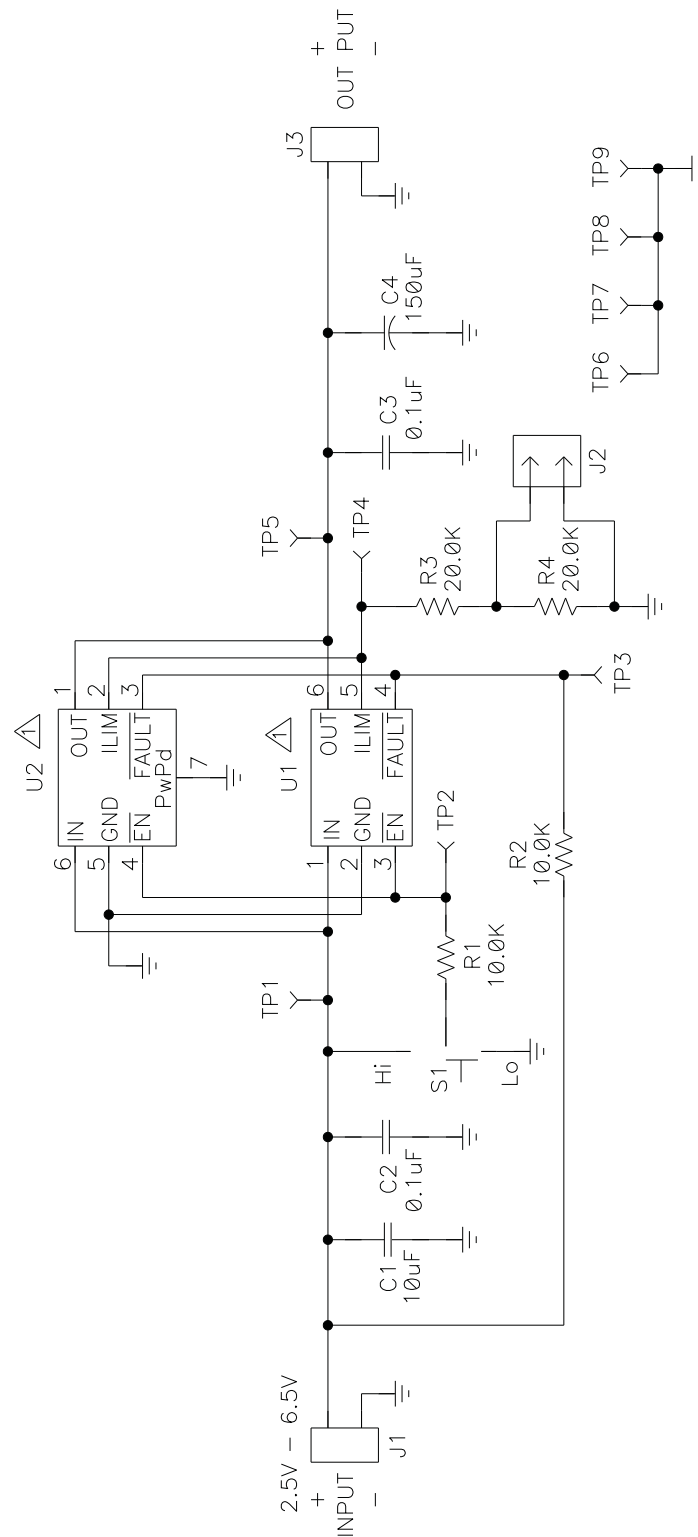


Figure 1. EVM Schematic

4 EVM Setup

4.1 Recommended Test Equipment

The following test equipment is recommended:

- Two-channel storage oscilloscope
- Current probe
- Voltage probe
- An adjustable power supply with a 2.5-V to 6.5-V output and a 10-A output current-limit
- Volt-ohm meter
- A passive or active load capable of handling 3 A.

4.2 Measuring the Short-Circuit Output Current-Limit

The user should read the TPS2552/3 data sheet before using the EVM.

Figure 2 shows the EVM test setup for measuring current-limit. Switch S1 enables the power-distribution switch into a short circuit for this measurement. For retry controllers, Figure 3 shows the current waveform for the TPS2552/3DRVEVM with a shorting jumper populating header J2; Figure 4 shows the current waveform with header J2 unpopulated.

For latch-off controllers Fig5 shows the current waveform for the TPS2552/3DRV EVM with a shorting jumper populating header J2; Figure 6 shows the current waveform with header J2 unpopulated.

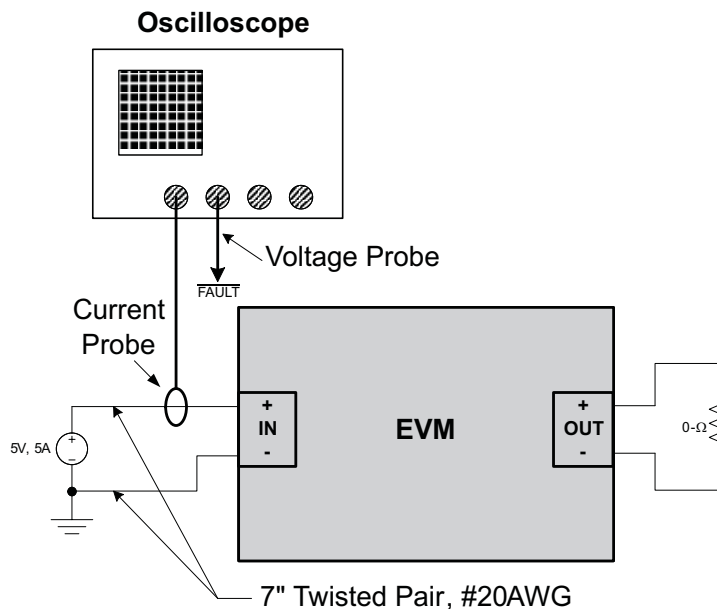


Figure 2. EVM Setup For Measuring Current-Limit

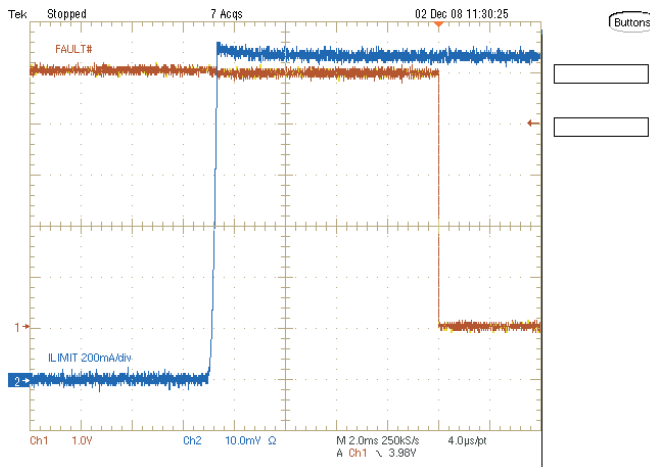


Figure 3. TPS2552DRVEVM Short-Circuit Output Current and $\overline{\text{FAULT}}$ Status With J2 Shorting Jumper Present.

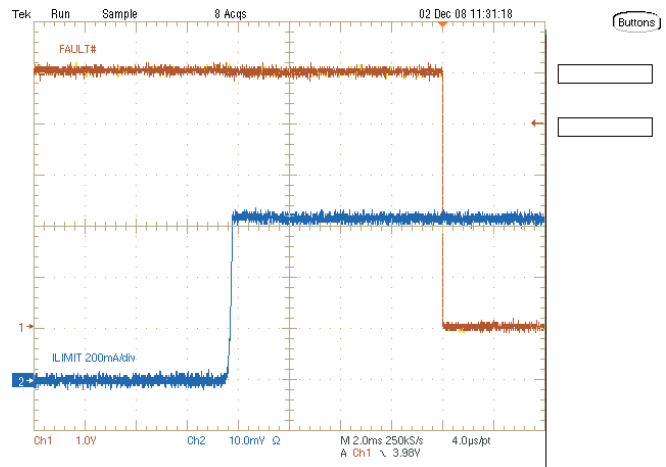


Figure 4. TPS2552DRVEVM Short-Circuit Output Current and $\overline{\text{FAULT}}$ Status With J2 Shorting Jumper Absent.

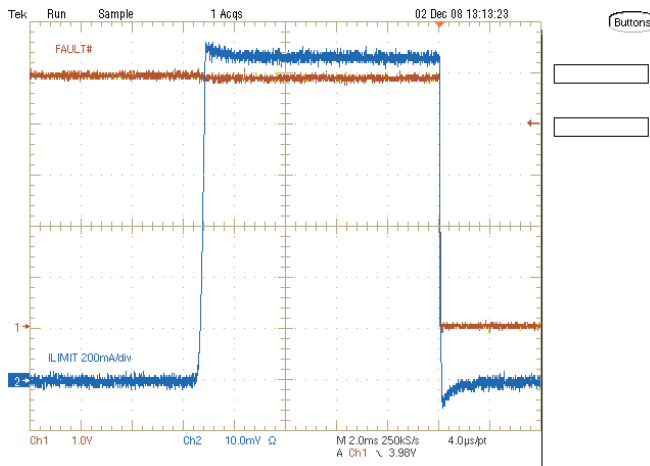


Figure 5. PS2552DBVEVM Short-Circuit Output Current and $\overline{\text{FAULT}}$ Status With J2 Shorting Jumper Present.

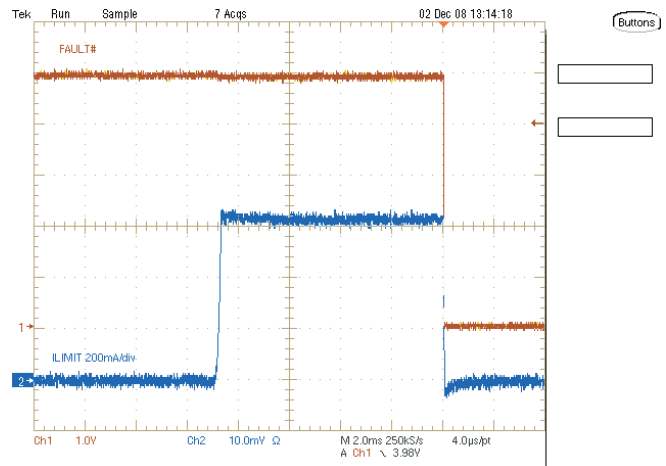


Figure 6. TPS2552DBVEVM Short-Circuit Output Current and $\overline{\text{FAULT}}$ Status With J2 Shorting Jumper Absent.

4.3 Adjusting the Short-Circuit Output Current-Limit

The EVM provides two current-limit settings. If a different setting is required, then populate header J2 with a shorting jumper and modify resistor R3 using the current limit resistor calculator, TI Literature Number [SLVC163](#).

See the [TPS2552/3](#) data sheet for the worst-case current-limit variation.

5 Board Layout

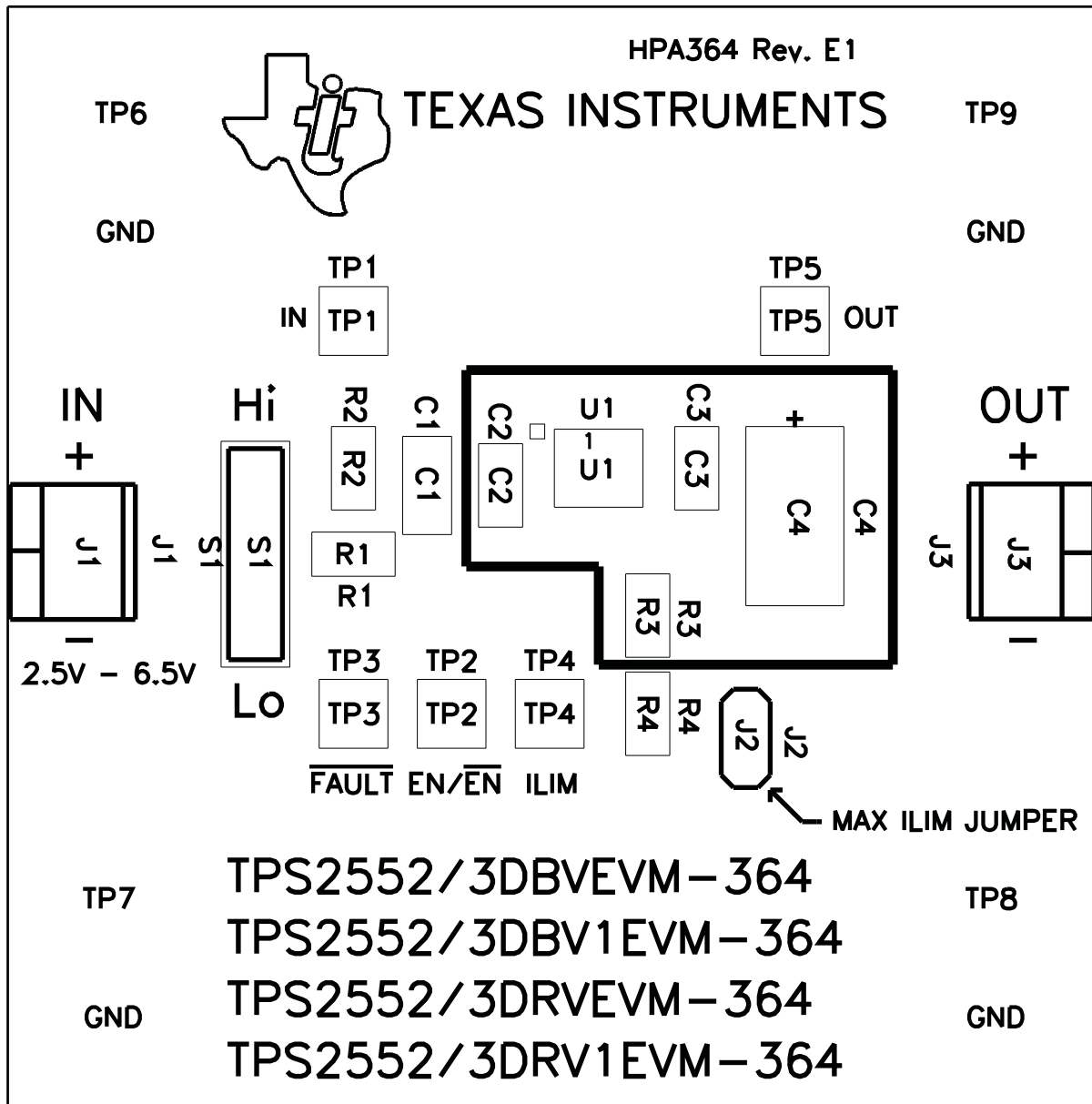


Figure 7. EVM Top Assembly

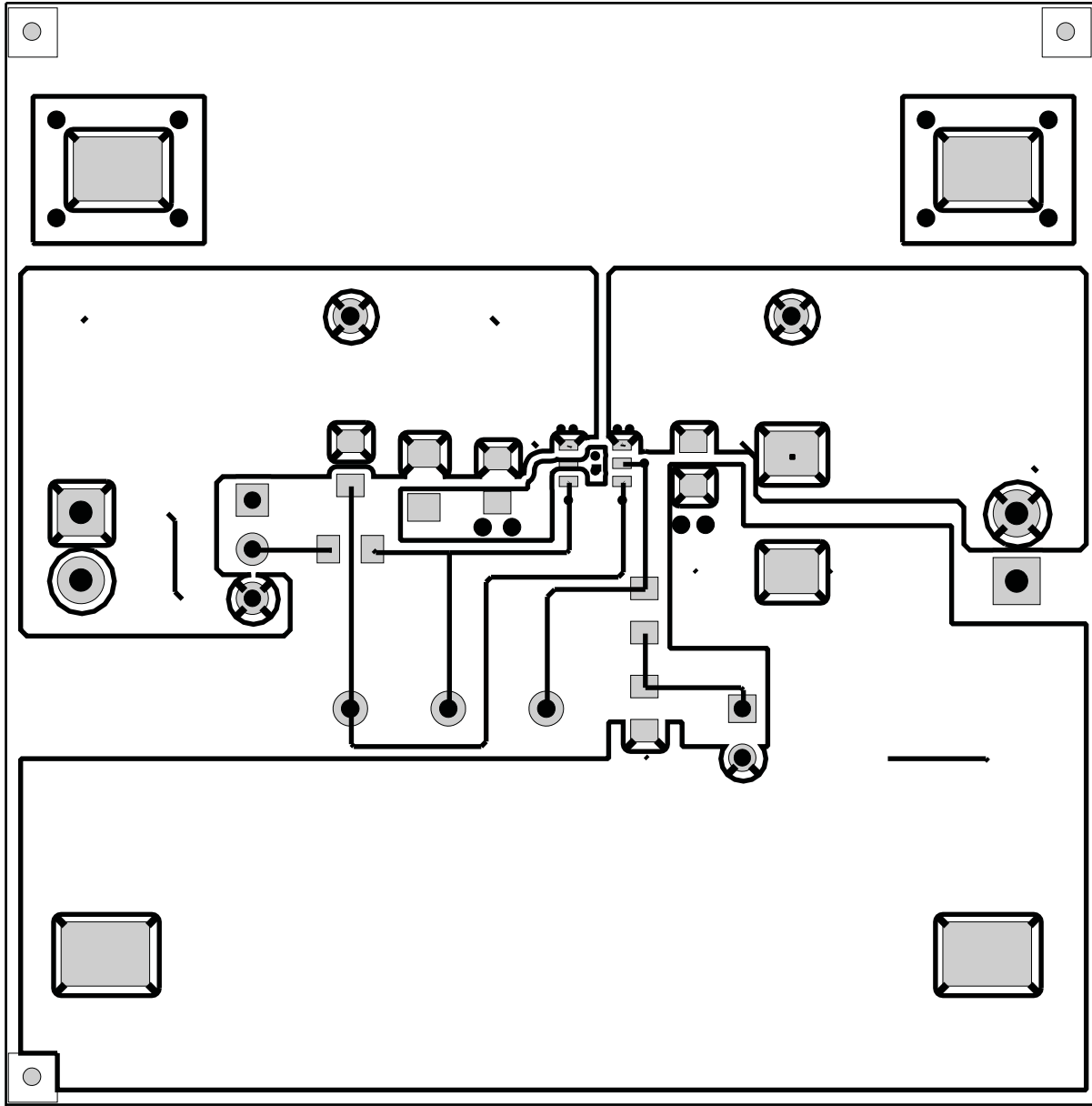


Figure 8. EVM Top-Side Layout

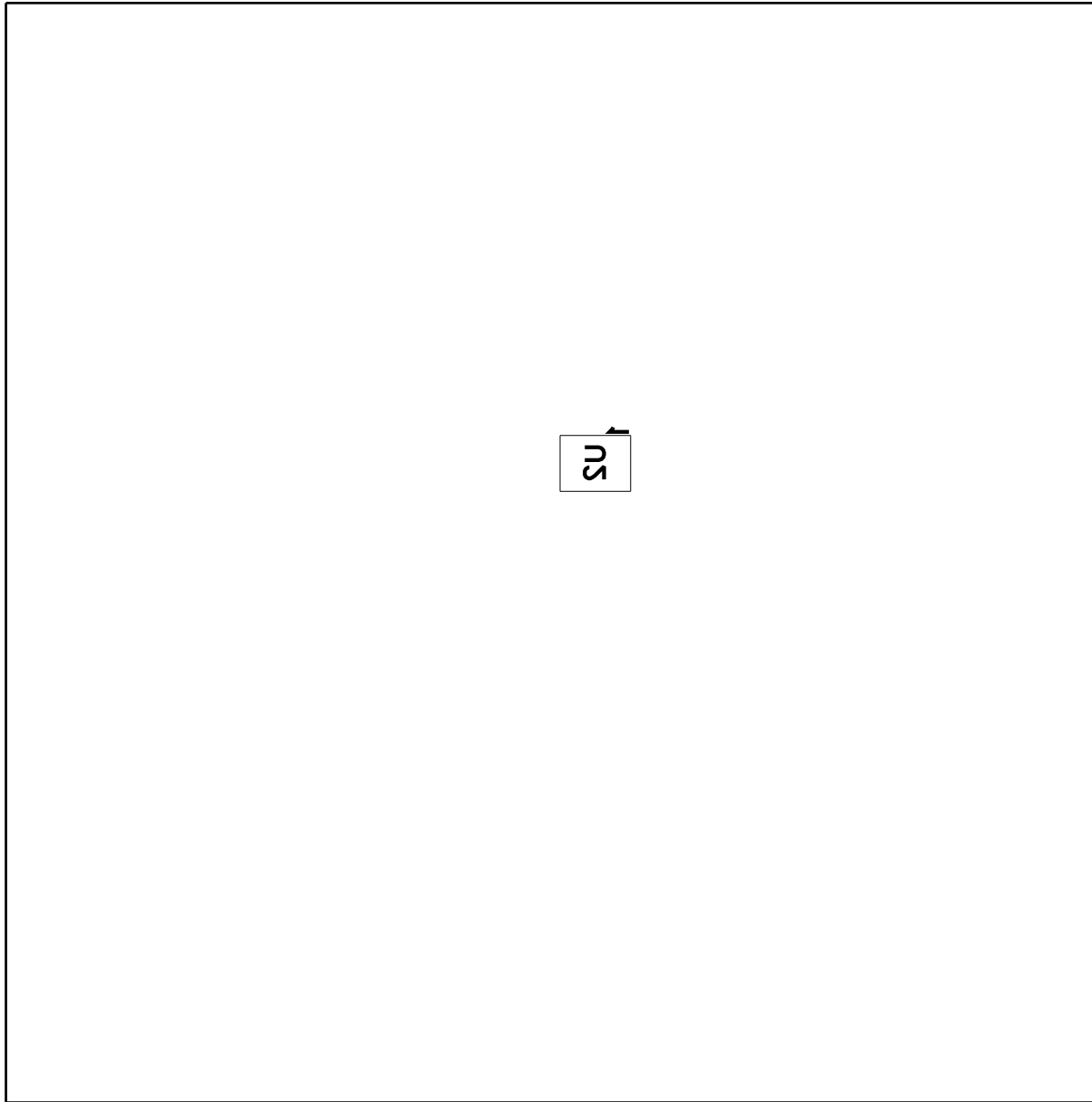


Figure 9. EVM Bottom Assembly

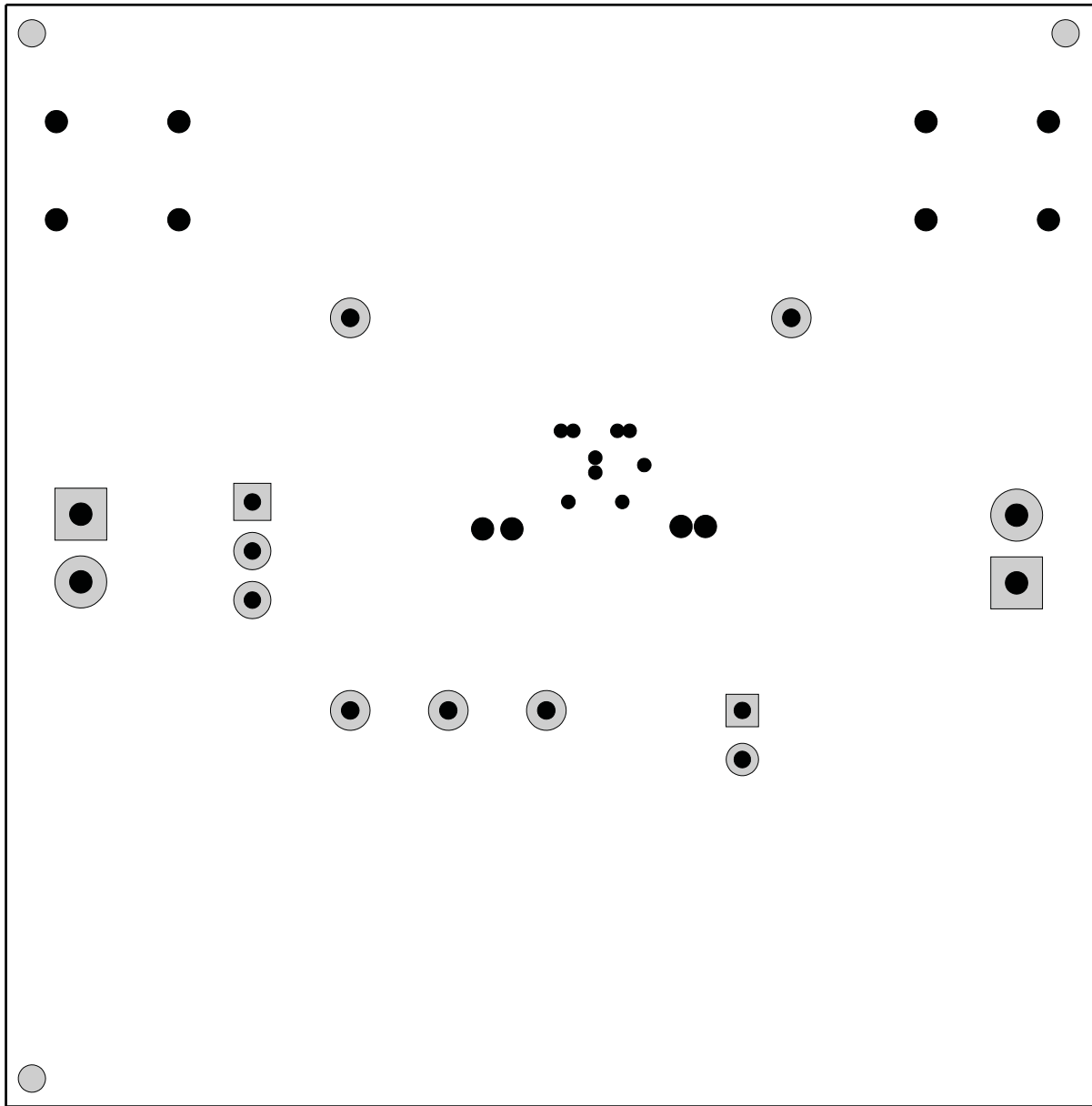


Figure 10. EVM Bottom-Side Layout

6 List of Materials
Table 3. EVM List of Materials (1)(2)(3)(4)(5)(6)

QTY								REF DES	DESCRIPTION	PART NUMBER	MFR
-001	-002	-003	-004	-005	-006	-007	-008				
1	1	1	1	1	1	1	1	C1	Capacitor, ceramic, 10 μ F, X7R, 10 V, 10%, 1206	STD	STD
2	2	2	2	2	2	2	2	C2, C3	Capacitor, ceramic, 16 V, X7R, 10%, 0.1 μ F, 0805	STD	STD
1	1	1	1	1	1	1	1	C4	Capacitor, tantalum, 150 μ F, 10 V, 100 m Ω , 10%, 7343 (D)	B45197A215 7K409	KEMET
1	1	1	1	1	1	1	1	J2	Header, male 2 pin, 100-mil spacing, (36-pin strip), 0.100 inch x 2	PTC36SAAN	Sullins
1	0	0	0	0	0	0	0	U1	Power-distribution switch, current limited, SOT-23-6	TPS2552DBV	TI
0	1	0	0	0	0	0	0	U1	Power-distribution switch, current limited, SOT-23-6	TPS2553DBV	
0	0	1	0	0	0	0	0	U1	Power-distribution switch, current limited, SOT-23-6	TPS2552DBV -1	
0	0	0	1	0	0	0	0	U1	Power-distribution switch, current limited, SOT-23-6	TPS2553DBV -1	
0	0	0	0	1	0	0	0	U2	Power-distribution switch, current limited, SON	TPS2552DR V	TI
0	0	0	0	0	1	0	0	U2	Power-distribution switch, current limited, SON	TPS2553DR V	
0	0	0	0	0	0	1	0	U2	Power-distribution switch, current limited, SON	TPS2552DR V-1	
0	0	0	0	0	0	0	1	U2	Power-distribution switch, current-limited, SON	TPS2553DR V-1	
1	1	1	1	1	1	1	1	--	PCB, 2.25 In x 2.225 In x 0.062 In, SON	HPA364	Any
2	2	2	2	2	2	2	2	R1, R2	Resistor, chip, 1/10 W, 1%, 10.0 k Ω , 0805	CRCW0805- 1002F	Vishay
2	2	2	2	2	2	2	2	R3, R4	Resistor, chip, 1/10 W, 1%, 20.0 k Ω , 0805	CRCW0805- 2002-F	Vishay
1	1	1	1	1	1	1	1	S1	Switch, SPDT, slide, PC mount, 500 mA, 0.400 x 0.100 in	09-03201-02	EAO
2	2	2	2	2	2	2	2	J1, J3	Terminal block, 2 pin, 6 A, 3.5 mm, 0.27 x 0.25 inch	ED555/2DS	OST
5	5	5	5	5	5	5	5	TP1, TP2, TP3, TP4, TP5	Test point, white, thru-hole color keyed, 0.100 x 0.100 in	5002	Keystone
4	4	4	4	4	4	4	4	TP6, TP7, TP8, TP9	Test point, SM, 0.150 x 0.090, 0.185 x 0.135 in	5016	Keystone

- (1) These assemblies are ESD sensitive, ESD precautions shall be observed.
- (2) These assemblies must be clean and free from flux and all contaminants. Use of no clean flux is not acceptable.
- (3) These assemblies must comply with workmanship standards IPC-A-610 Class 2.
- (4) Ref designators marked with an asterisk (***) cannot be substituted. All other components can be substituted with equivalent MFG's components.
- (5) Attach a rubber bumper to each corner of the PCB.
- (6) Insert shorting jumper on header J2.

EVALUATION BOARD/KIT IMPORTANT NOTICE

Texas Instruments (TI) provides the enclosed product(s) under the following conditions:

This evaluation board/kit is intended for use for **ENGINEERING DEVELOPMENT, DEMONSTRATION, OR EVALUATION PURPOSES ONLY** and is not considered by TI to be a finished end-product fit for general consumer use. Persons handling the product(s) must have electronics training and observe good engineering practice standards. As such, the goods being provided are not intended to be complete in terms of required design-, marketing-, and/or manufacturing-related protective considerations, including product safety and environmental measures typically found in end products that incorporate such semiconductor components or circuit boards. This evaluation board/kit does not fall within the scope of the European Union directives regarding electromagnetic compatibility, restricted substances (RoHS), recycling (WEEE), FCC, CE or UL, and therefore may not meet the technical requirements of these directives or other related directives.

Should this evaluation board/kit not meet the specifications indicated in the User's Guide, the board/kit may be returned within 30 days from the date of delivery for a full refund. **THE FOREGOING WARRANTY IS THE EXCLUSIVE WARRANTY MADE BY SELLER TO BUYER AND IS IN LIEU OF ALL OTHER WARRANTIES, EXPRESSED, IMPLIED, OR STATUTORY, INCLUDING ANY WARRANTY OF MERCHANTABILITY OR FITNESS FOR ANY PARTICULAR PURPOSE.**

The user assumes all responsibility and liability for proper and safe handling of the goods. Further, the user indemnifies TI from all claims arising from the handling or use of the goods. Due to the open construction of the product, it is the user's responsibility to take any and all appropriate precautions with regard to electrostatic discharge.

EXCEPT TO THE EXTENT OF THE INDEMNITY SET FORTH ABOVE, NEITHER PARTY SHALL BE LIABLE TO THE OTHER FOR ANY INDIRECT, SPECIAL, INCIDENTAL, OR CONSEQUENTIAL DAMAGES.

TI currently deals with a variety of customers for products, and therefore our arrangement with the user **is not exclusive.**

TI assumes **no liability for applications assistance, customer product design, software performance, or infringement of patents or services described herein.**

Please read the User's Guide and, specifically, the Warnings and Restrictions notice in the User's Guide prior to handling the product. This notice contains important safety information about temperatures and voltages. For additional information on TI's environmental and/or safety programs, please contact the TI application engineer or visit www.ti.com/esh.

No license is granted under any patent right or other intellectual property right of TI covering or relating to any machine, process, or combination in which such TI products or services might be or are used.

FCC Warning

This evaluation board/kit is intended for use for **ENGINEERING DEVELOPMENT, DEMONSTRATION, OR EVALUATION PURPOSES ONLY** and is not considered by TI to be a finished end-product fit for general consumer use. It generates, uses, and can radiate radio frequency energy and has not been tested for compliance with the limits of computing devices pursuant to part 15 of FCC rules, which are designed to provide reasonable protection against radio frequency interference. Operation of this equipment in other environments may cause interference with radio communications, in which case the user at his own expense will be required to take whatever measures may be required to correct this interference.

EVM WARNINGS AND RESTRICTIONS

It is important to operate this EVM within the input voltage range of 2.5 V to 5.5 V and the output voltage range of 2.5 V to 5.5 V.

Exceeding the specified input range may cause unexpected operation and/or irreversible damage to the EVM. If there are questions concerning the input range, please contact a TI field representative prior to connecting the input power.

Applying loads outside of the specified output range may result in unintended operation and/or possible permanent damage to the EVM. Please consult the EVM User's Guide prior to connecting any load to the EVM output. If there is uncertainty as to the load specification, please contact a TI field representative.

During normal operation, some circuit components may have case temperatures greater than 85°C. The EVM is designed to operate properly with certain components above 85°C as long as the input and output ranges are maintained. These components include but are not limited to linear regulators, switching transistors, pass transistors, and current sense resistors. These types of devices can be identified using the EVM schematic located in the EVM User's Guide. When placing measurement probes near these devices during operation, please be aware that these devices may be very warm to the touch.

Mailing Address: Texas Instruments, Post Office Box 655303, Dallas, Texas 75265
Copyright © 2008, Texas Instruments Incorporated

IMPORTANT NOTICE AND DISCLAIMER

TI PROVIDES TECHNICAL AND RELIABILITY DATA (INCLUDING DATASHEETS), DESIGN RESOURCES (INCLUDING REFERENCE DESIGNS), APPLICATION OR OTHER DESIGN ADVICE, WEB TOOLS, SAFETY INFORMATION, AND OTHER RESOURCES "AS IS" AND WITH ALL FAULTS, AND DISCLAIMS ALL WARRANTIES, EXPRESS AND IMPLIED, INCLUDING WITHOUT LIMITATION ANY IMPLIED WARRANTIES OF MERCHANTABILITY, FITNESS FOR A PARTICULAR PURPOSE OR NON-INFRINGEMENT OF THIRD PARTY INTELLECTUAL PROPERTY RIGHTS.

These resources are intended for skilled developers designing with TI products. You are solely responsible for (1) selecting the appropriate TI products for your application, (2) designing, validating and testing your application, and (3) ensuring your application meets applicable standards, and any other safety, security, regulatory or other requirements.

These resources are subject to change without notice. TI grants you permission to use these resources only for development of an application that uses the TI products described in the resource. Other reproduction and display of these resources is prohibited. No license is granted to any other TI intellectual property right or to any third party intellectual property right. TI disclaims responsibility for, and you fully indemnify TI and its representatives against any claims, damages, costs, losses, and liabilities arising out of your use of these resources.

TI's products are provided subject to [TI's Terms of Sale](#), [TI's General Quality Guidelines](#), or other applicable terms available either on ti.com or provided in conjunction with such TI products. TI's provision of these resources does not expand or otherwise alter TI's applicable warranties or warranty disclaimers for TI products. Unless TI explicitly designates a product as custom or customer-specified, TI products are standard, catalog, general purpose devices.

TI objects to and rejects any additional or different terms you may propose.

Copyright © 2026, Texas Instruments Incorporated

Last updated 10/2025