

LP8868Z-Q1 65V, 4A Buck LED Driver Evaluation Module



Description

The LP8868ZQ1EVM helps designers evaluate the operation and performance of the LP8868Z-Q1, a nonsynchronous buck switching regulator designed for high-current LED driver applications. The LP8868Z-Q1 is a 4A nonsynchronous buck LED driver and features a wide input voltage range (4.5V to 65V) and four dimming options, including analog dimming, PWM dimming, hybrid dimming and flexible dimming. Each dimming mode can be configured through the PWM or EN and ADIM or HD input pins by simple high and low signals. The EVM also provides full protections, including LED open protection and short protection, sense resistor open protection and short protection, configurable thermal foldback and thermal shutdown.

Get Started

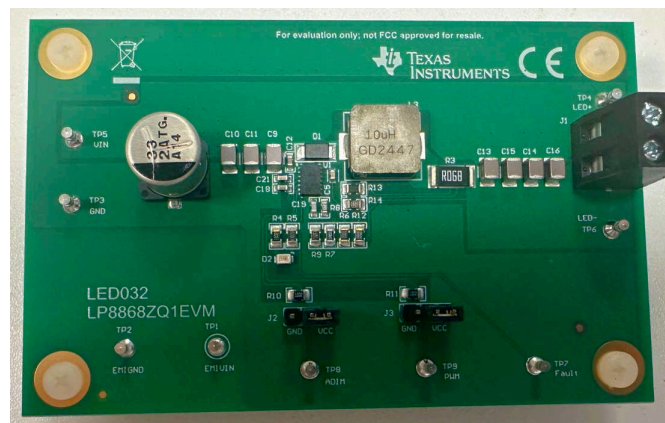
1. Order the [LP8868ZQ1EVM](#)
2. Download the [LP8868-Q1 Automotive Multi-Topology LED Driver with Inductive Fast Dimming data sheet](#)

Features

- Wide input voltage: 4.5V to 65V
- Integrated 5.2A and 150mΩ MOSFET
- High precision power FET dimming
- Switching frequency 100kHz to 2.2MHz
- Full protection features

Applications

- [Automotive infotainment](#)
- [Automotive instrument cluster](#)
- [Heads-up displays \(HUD\)](#)
- [Automotive lighting](#)



LP8868ZQ1EVM

1 Evaluation Module Overview

1.1 Introduction

The LP8868ZQ1EVM provides an LED driver based on the LP8868ZQ1 buck switching regulator. The EVM is designed to operate with an input voltage in the range of 4.5V to 65V. The EVM is set up for a default output current of 3A and can work in four configurable dimming options. Refer to the [LP8868-Q1 Automotive Multi-Topology LED Driver with Inductive Fast Dimming data sheet](#) for more detailed information on configurable dimming options. By applying 0-100% duty cycle PWM signal on ADIM, HD pin or PWM, EN pin, device is able to operate in analog dimming or PWM dimming, respectively.

This user's guide describes the LP8868ZQ1EVM evaluation module. This user's guide is used as a reference for engineering evaluation. Included in this user's guide are test setup instructions, a schematic diagram, a printed board (PCB) layout, and a bill of materials (BOM).

Observe the following precautions when using the LP8868ZQ1EVM.

WARNING

When choosing an LED component (not included with this EVM), users must refer to the LED data sheet supplied by the LED manufacturer to identify the EN62471 Risk Group Rating and review any potential eye hazards associated with the LED chosen. Always consider and implement the use of effective light filtering and darkening protective eyewear and be fully aware of surrounding laboratory-type set-ups when viewing intense light sources that can be required to minimize or eliminate such risks to avoid accidents related to temporary blindness.

WARNING

All external connections to the hardware must stay within the recommended operating conditions and intended usage for all hardware/components connected in the system.

1.2 Kit Contents

The LP8868ZQ1EVM kit contains:

- (1) LP8868ZQ1EVM

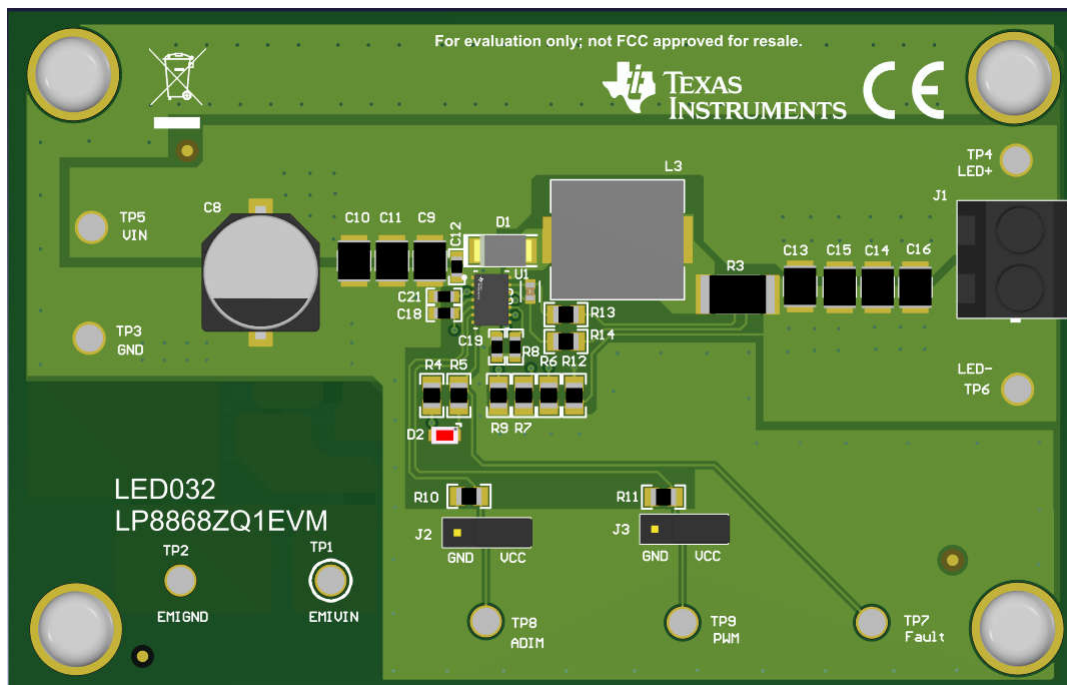


Figure 1-1. LP8868ZQ1EVM Kit

1.3 Specification

The LP8868ZQ1EVM is intended to provide basic functional evaluation of the device. Changing the jumpers J2 and J3 helps achieve the four different dimming mode. The board is designed as 3A output current with 2.4V LED- undervoltage protection threshold. Limited by the capacitor voltage rating, the input voltage and the voltage across the LED load (from LED+ to LED-) must be lower than 50V.

1.4 Device Information

The LP8868Z is a non-synchronous constant current buck LED driver with 4.5V to 65V wide input range. By integrating the low-side NMOS switch, the device is capable of driving LEDs with high power density and high efficiency. The device family also supports single layer PCB design. The switching frequency is configurable from 100kHz to 2.2MHz with an optional spread spectrum feature for better EMI performance.

2 Hardware

2.1 Test Setup

This section describes how to properly connect and setup the LP8868ZQ1EVM.

2.1.1 System and Equipment Requirements

- DC power supply: 12V or higher, 6A or higher
- LED load board

2.1.2 Connector Description

Table 2-1. EVM Connectors and Test Points

Reference Designator	Function
J1	Connector for LED+ and LED-
J2	ADIM/HD optional connection to V_{LDO} or GND
J3	PWM/EN optional connection to V_{LDO} or GND
TP1	Power connection with EMI filter
TP2	GND connection with EMI filter
TP3	GND connection without EMI filter
TP4	Test point of the LED+
TP5	Power connection without EMI filter
TP6	Test point of the LED-
TP7	FAULT test point
TP8	ADIM/HD signal input
TP9	PWM/EN signal input

2.1.3 Input and Output Connection

A power supply capable of supplying 6A must be connected to TP5 (VIN) and TP3 (GND) through a pair of 20-AWG wires. The LED load must be connected to TP4 and TP6 or J1 through a pair of 20-AWG wires. Connect the positive terminal of the LED load to the TP4 or J1 terminal beside TP4, and connect the negative terminal of the LED load to TP6 or J1 terminal beside TP6. Twist the wires and keep the wire length as short as possible to minimize voltage drop, inductance, and EMI transmission.

TP8 and TP9 are the input terminals for control signals of different dimming modes. The configuration to one of the four dimming modes are shown in [Table 2-2](#). For high signal, the DC voltage level needs to be higher than 1.2V (typically 3.3V). The PWM signal on PWM, EN pin or ADIM, HD pin needs to be a square wave with a low level of GND and a high level voltage higher than 1.2V (typically 3.3V). The dimming frequency needs to be in the range of 0.1kHz and 50kHz for PWM signal at PWM, EN pin. For PWM signal on ADIM, HD pin, dimming frequency needs to be within 0.1kHz and 100kHz.

Table 2-2. Dimming Mode Configuration

Dimming Mode	PWM, EN Pin	ADIM, HD Pin
PWM Dimming	PWM signal	High
Analog Dimming	High	PWM signal
Hybrid Dimming	PWM signal	Low
Flexible Dimming	PWM signal	PWM signal

3 Hardware Design Files

3.1 Schematic

Figure 3-1 shows the schematic for LP8868ZQ1EVM.

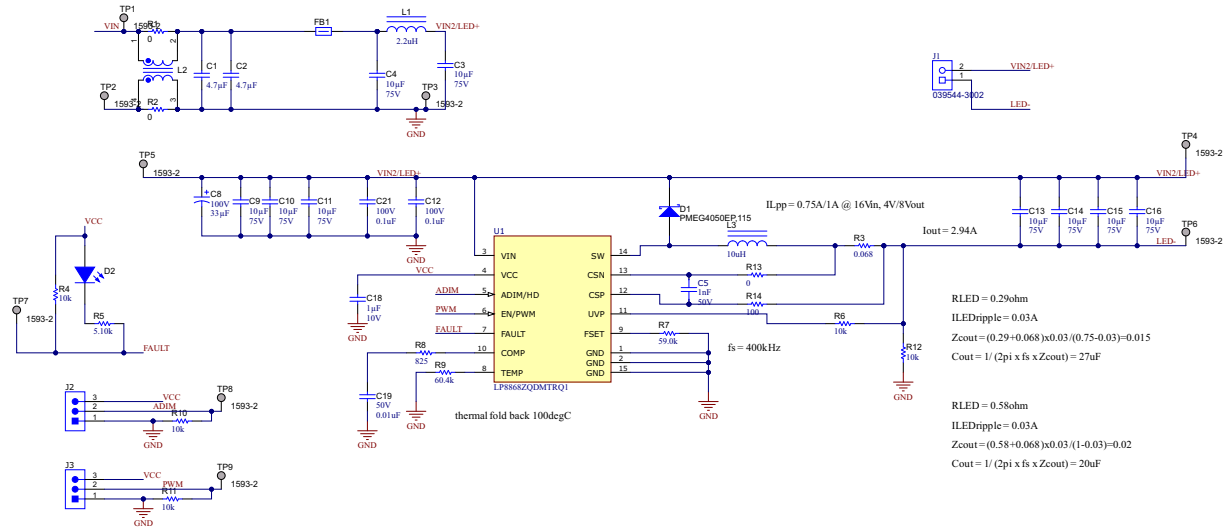


Figure 3-1. LP8868ZQ1EVM Schematic

3.2 Layout

Figure 3-2, Figure 3-3, Figure 3-4 and Figure 3-5 show the layout of the LP8868ZQ1EVM printed circuit board (PCB).

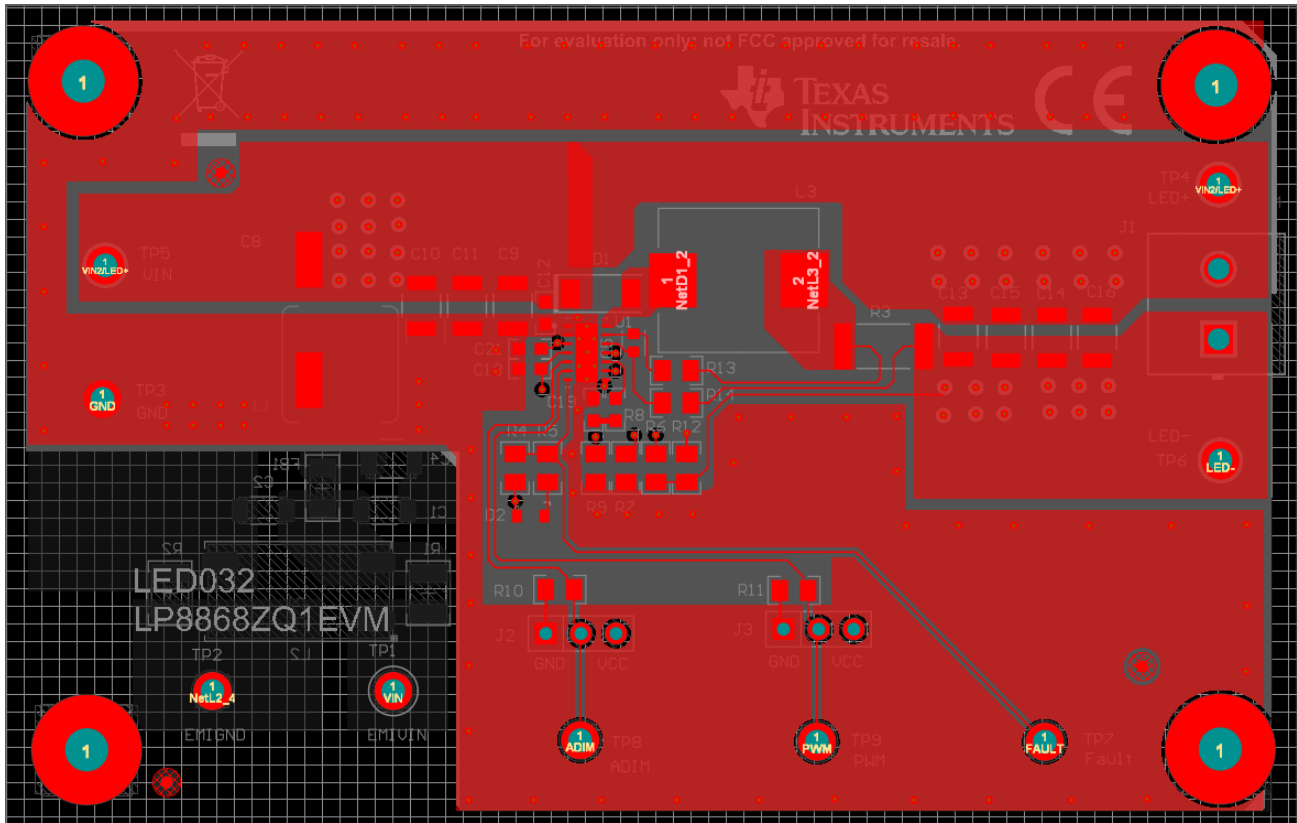


Figure 3-2. LP8868ZQ1EVM Top Layer

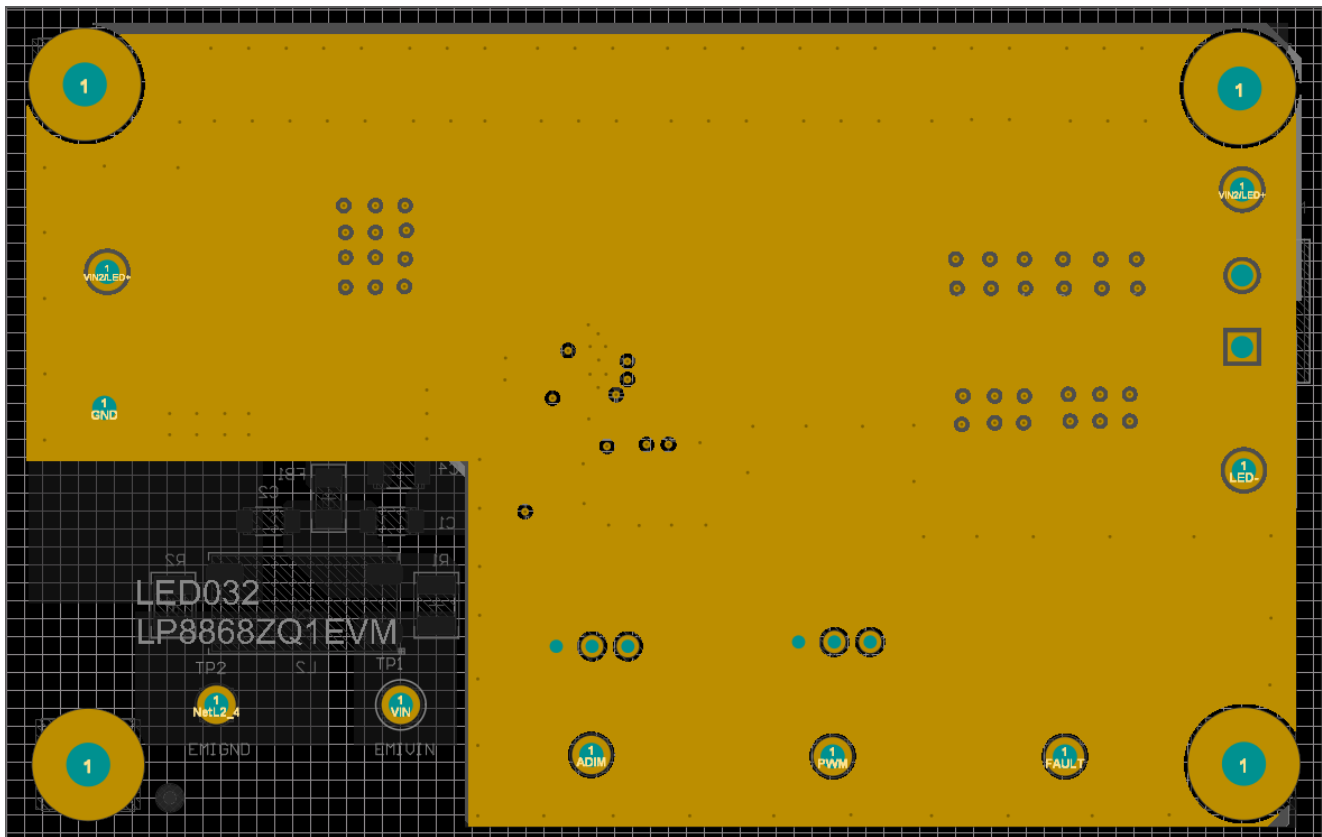


Figure 3-3. LP8868ZQ1EVM Inner Layer 1

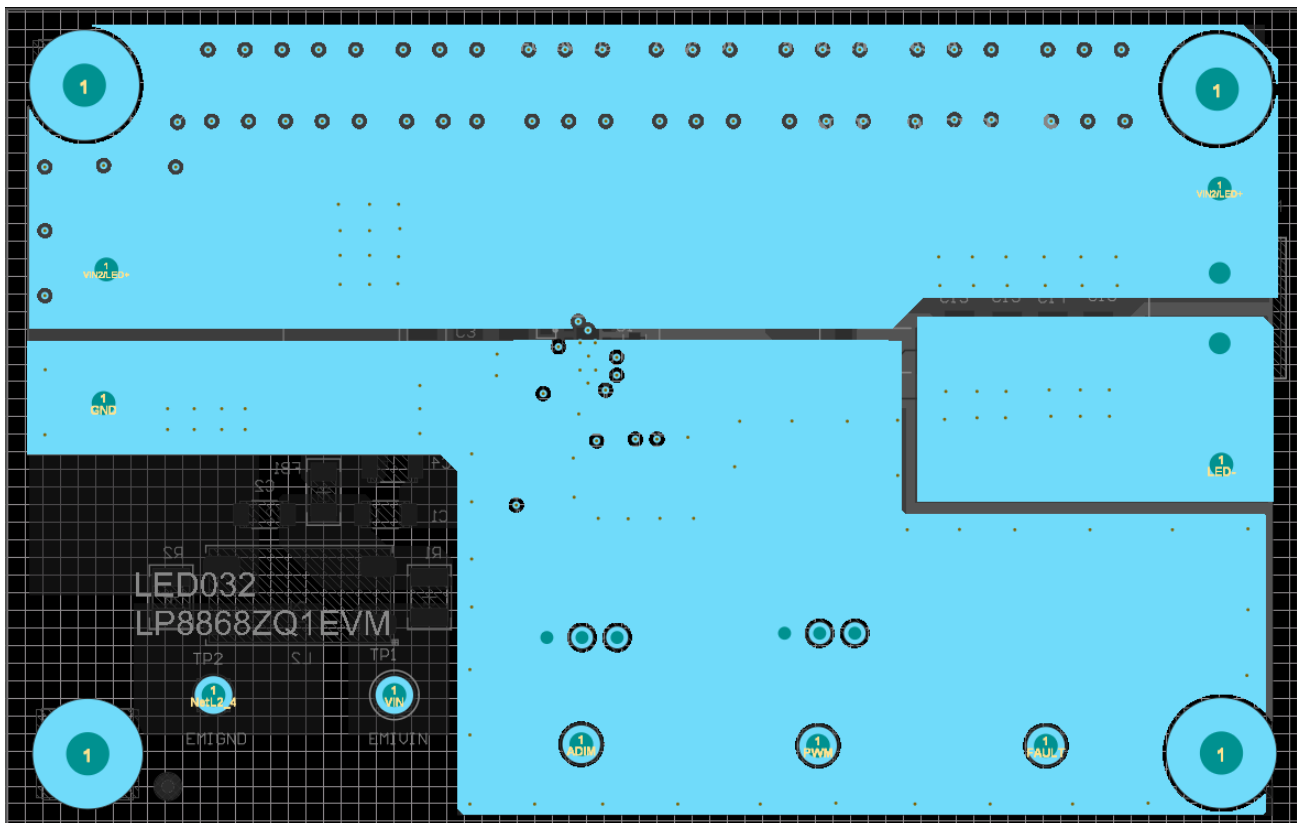


Figure 3-4. LP8868ZQ1EVM Inner Layer 2

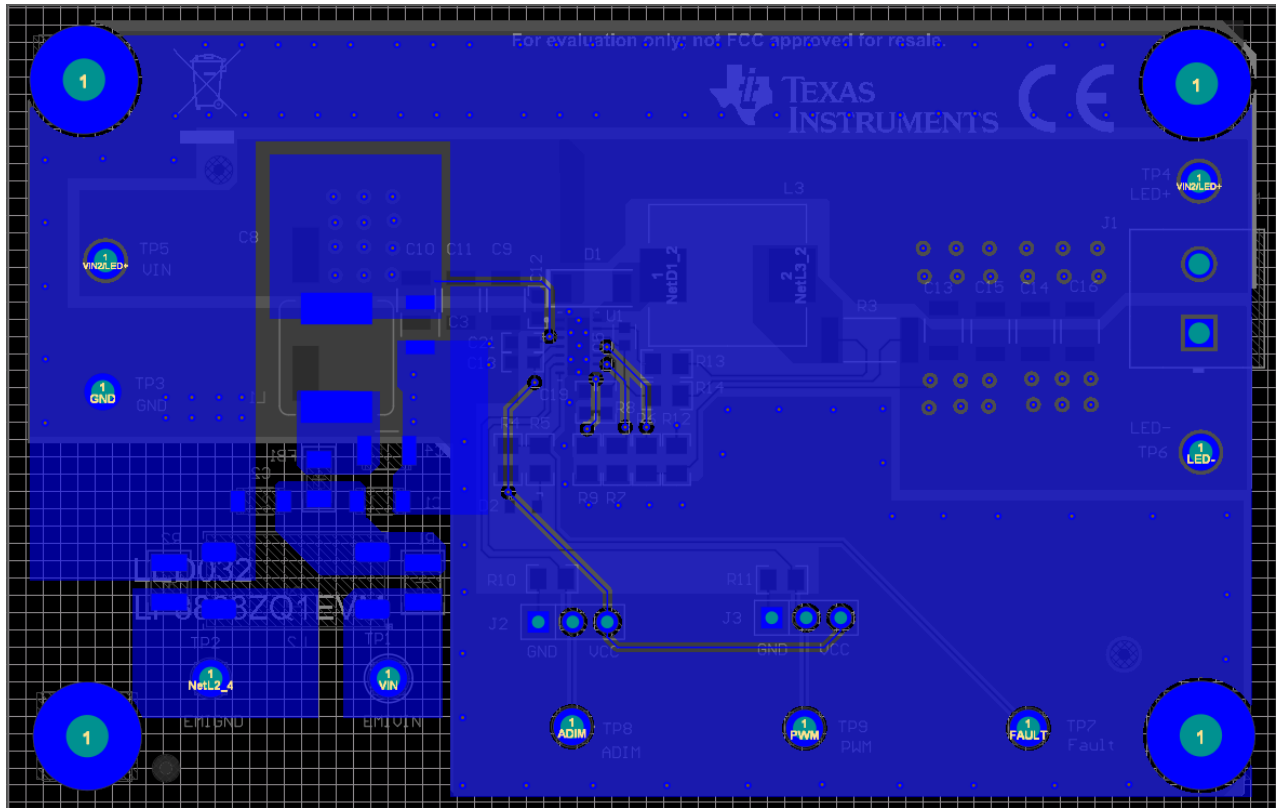


Figure 3-5. LP8868ZQ1EVM Bottom Layer

3.3 Bill of Materials

Table 3-1 shows the bill of materials for LP8868ZQ1EVM.

Table 3-1. LP8868ZQ1EVM Bill of Materials

Designator	Qty.	Value	Description	Package	Part Number	Manufacturer
C1, C2	2	4.7uF	CAP, CERM, 4.7μF, 50V, +/- 10%, X7R, AEC-Q200 Grade 1, 1206	1206	CGA5L3X7R1H475K160AE	TDK
C3, C4, C9, C10, C11, C13, C14, C15, C16	9	10uF	CAP, CERM, 10μF, 75V, +/- 20%, X7R, AEC-Q200 Grade 1, 1210	1210	CGA6P1X7R1N106M250AC	TDK
C5	1	1nF	1000pF ±10% 50V Ceramic Capacitor X7R 0603 (1608 Metric)	0603	C0603X102K5RAC7867	KEMET
C8	1	33uF	CAP, AL, 33μF, 100V, +/- 20%, 1ohm, AEC-Q200 Grade 1, SMD	Dia 10mm	EEE-TG2A330P	Panasonic
C12, C21	2	0.1uF	CAP, CERM, 0.1uF, 100V, +/- 10%, X7S, AEC-Q200 Grade 1, 0603	0603	CGA3E3X7S2A104K080AB	TDK
C18	1	1uF	CAP, CERM, 1uF, 10V, +/- 10%, X7R, AEC-Q200 Grade 1, 0603	0603	LMK107B7105KAHT	Taiyo Yuden
C19	1	0.01uF	CAP, CERM, 0.01uF, 50V, +/- 5%, C0G/NP0, AEC-Q200 Grade 1, 0603	0603	CGA3E2C0G1H103J080AA	TDK
D1	1	40V	Diode, Schottky, 40V, 5A, AEC-Q101, SOD-128	SOD-128	PMEG4050EP,115	Nexperia
D2	1	Super Red	LED, Super Red, SMD	2.2x1.3x1.4mm	VLMS20J2L1-GS08	Vishay-Semiconductor
FB1	1	50 ohm	Ferrite Bead, 50ohm at 100MHz, 12A, 1206	1206	BLM31SN500SZ1L	MuRata
H1, H2, H3, H4	4		Machine Screw, Round, #4-40 x 1/4, Nylon, Philips panhead	Screw	NY PMS 440 0025 PH	B&F Fastener Supply
H5, H6, H7, H8	4		Standoff, Hex, 0.5"L #4-40 Nylon	Standoff	1902C	Keystone
J1	1		Terminal Block, 5.08mm, 2x1, TH	Terminal Block, 5.08mm, 2x1, TH	039544-3002	Molex
J2, J3	2		Header, 100mil, 3x1, Gold, TH	PBC03SAAN	PBC03SAAN	Sullins Connector Solutions
L1	1	2.2uH	Inductor, Shielded, Powdered Iron, 2.2uH, 10.5A, 0.0137ohm, SMD	322x158x322mil	IHLP3232DZER2R2M01	Vishay-Dale
L2	1	9uH	Coupled inductor, 9uH, 10A, 0.0036ohm, SMD	12.9x6.6mm	PLT10HH501100PNL	MuRata
L3	1	10uH	Inductor, Shielded, Powdered Iron, 10uH, 6.8A, 0.0365ohm, SMD	IHLP-4040DZ	IHLP4040DZER100M01	Vishay-Dale
LBL1	1		Thermal Transfer Printable Labels, 0.650" W x 0.200" H - 10,000 per roll	PCB Label 0.650 x 0.200 inch	THT-14-423-10	Brady
R1, R2	2	0	RES, 0, 1%, 0.75W, AEC-Q200 Grade 0, 1210	1210	CRCW12100000Z0EAHP	Vishay-Dale
R3	1	0.068	RES, 0.068, 1%, 2W, 2512	2512	CSRN2512FK68L0	Stackpole Electronics Inc

Table 3-1. LP8868ZQ1EVM Bill of Materials (continued)

Designator	Qty.	Value	Description	Package	Part Number	Manufacturer
R4, R6, R10, R11, R12	5	10k	RES, 10k, 5%, 0.125W, AEC-Q200 Grade 0, 0805	0805	CRCW080510K0JNEA	Vishay-Dale
R5	1	5.10k	RES, 5.10k, 0.1%, 0.125W, 0805	0805	RG2012P-512-B-T5	Susumu Co Ltd
R7	1	59.0k	RES, 59.0 k, 1%, 0.125W, AEC-Q200 Grade 0, 0805	0805	ERJ-6ENF5902V	Panasonic
R8	1	825	RES, 825, 1%, 0.1W, AEC-Q200 Grade 0, 0603	0603	CRCW0603825RFKEA	Vishay-Dale
R9	1	60.4k	RES, 60.4k, 1%, 0.125W, AEC-Q200 Grade 0, 0805	0805	CRCW080560K4FKEA	Vishay-Dale
R13	1	0	RES, 0, 5%, 0.125W, AEC-Q200 Grade 0, 0805	0805	CRCW08050000Z0EA	Vishay-Dale
R14	1	100	RES, 100, 0.01%, 0.125W, 0805	0805	RNCF0805TKY100R	Stackpole Electronics Inc
SH-J1, SH-J2	2	1x2	Shunt, 100mil, Flash Gold, Black	Closed Top 100mil Shunt	SPC02SYAN	Sullins Connector Solutions
TP1, TP2, TP3, TP4, TP5, TP6, TP7, TP8, TP9	9		Terminal, Turret, TH, Double	Keystone1593-2	1593-2	Keystone
U1	1		Automotive 65V 4A Buck LED Driver with Inductive Fast Dimming	VSON14	LP8868ZQDMTRQ1	Texas Instruments

4 Additional Information

4.1 Trademarks

All trademarks are the property of their respective owners.

STANDARD TERMS FOR EVALUATION MODULES

1. *Delivery:* TI delivers TI evaluation boards, kits, or modules, including any accompanying demonstration software, components, and/or documentation which may be provided together or separately (collectively, an "EVM" or "EVMs") to the User ("User") in accordance with the terms set forth herein. User's acceptance of the EVM is expressly subject to the following terms.
 - 1.1 EVMs are intended solely for product or software developers for use in a research and development setting to facilitate feasibility evaluation, experimentation, or scientific analysis of TI semiconductors products. EVMs have no direct function and are not finished products. EVMs shall not be directly or indirectly assembled as a part or subassembly in any finished product. For clarification, any software or software tools provided with the EVM ("Software") shall not be subject to the terms and conditions set forth herein but rather shall be subject to the applicable terms that accompany such Software
 - 1.2 EVMs are not intended for consumer or household use. EVMs may not be sold, sublicensed, leased, rented, loaned, assigned, or otherwise distributed for commercial purposes by Users, in whole or in part, or used in any finished product or production system.
2. *Limited Warranty and Related Remedies/Disclaimers:*
 - 2.1 These terms do not apply to Software. The warranty, if any, for Software is covered in the applicable Software License Agreement.
 - 2.2 TI warrants that the TI EVM will conform to TI's published specifications for ninety (90) days after the date TI delivers such EVM to User. Notwithstanding the foregoing, TI shall not be liable for a nonconforming EVM if (a) the nonconformity was caused by neglect, misuse or mistreatment by an entity other than TI, including improper installation or testing, or for any EVMs that have been altered or modified in any way by an entity other than TI, (b) the nonconformity resulted from User's design, specifications or instructions for such EVMs or improper system design, or (c) User has not paid on time. Testing and other quality control techniques are used to the extent TI deems necessary. TI does not test all parameters of each EVM. User's claims against TI under this Section 2 are void if User fails to notify TI of any apparent defects in the EVMs within ten (10) business days after delivery, or of any hidden defects with ten (10) business days after the defect has been detected.
 - 2.3 TI's sole liability shall be at its option to repair or replace EVMs that fail to conform to the warranty set forth above, or credit User's account for such EVM. TI's liability under this warranty shall be limited to EVMs that are returned during the warranty period to the address designated by TI and that are determined by TI not to conform to such warranty. If TI elects to repair or replace such EVM, TI shall have a reasonable time to repair such EVM or provide replacements. Repaired EVMs shall be warranted for the remainder of the original warranty period. Replaced EVMs shall be warranted for a new full ninety (90) day warranty period.

WARNING

Evaluation Kits are intended solely for use by technically qualified, professional electronics experts who are familiar with the dangers and application risks associated with handling electrical mechanical components, systems, and subsystems.

User shall operate the Evaluation Kit within TI's recommended guidelines and any applicable legal or environmental requirements as well as reasonable and customary safeguards. Failure to set up and/or operate the Evaluation Kit within TI's recommended guidelines may result in personal injury or death or property damage. Proper set up entails following TI's instructions for electrical ratings of interface circuits such as input, output and electrical loads.

NOTE:

EXPOSURE TO ELECTROSTATIC DISCHARGE (ESD) MAY CAUSE DEGRADATION OR FAILURE OF THE EVALUATION KIT; TI RECOMMENDS STORAGE OF THE EVALUATION KIT IN A PROTECTIVE ESD BAG.

3 Regulatory Notices:

3.1 United States

3.1.1 Notice applicable to EVMs not FCC-Approved:

FCC NOTICE: This kit is designed to allow product developers to evaluate electronic components, circuitry, or software associated with the kit to determine whether to incorporate such items in a finished product and software developers to write software applications for use with the end product. This kit is not a finished product and when assembled may not be resold or otherwise marketed unless all required FCC equipment authorizations are first obtained. Operation is subject to the condition that this product not cause harmful interference to licensed radio stations and that this product accept harmful interference. Unless the assembled kit is designed to operate under part 15, part 18 or part 95 of this chapter, the operator of the kit must operate under the authority of an FCC license holder or must secure an experimental authorization under part 5 of this chapter.

3.1.2 For EVMs annotated as FCC – FEDERAL COMMUNICATIONS COMMISSION Part 15 Compliant:

CAUTION

This device complies with part 15 of the FCC Rules. Operation is subject to the following two conditions: (1) This device may not cause harmful interference, and (2) this device must accept any interference received, including interference that may cause undesired operation.

Changes or modifications not expressly approved by the party responsible for compliance could void the user's authority to operate the equipment.

FCC Interference Statement for Class A EVM devices

NOTE: This equipment has been tested and found to comply with the limits for a Class A digital device, pursuant to part 15 of the FCC Rules. These limits are designed to provide reasonable protection against harmful interference when the equipment is operated in a commercial environment. This equipment generates, uses, and can radiate radio frequency energy and, if not installed and used in accordance with the instruction manual, may cause harmful interference to radio communications. Operation of this equipment in a residential area is likely to cause harmful interference in which case the user will be required to correct the interference at his own expense.

FCC Interference Statement for Class B EVM devices

NOTE: This equipment has been tested and found to comply with the limits for a Class B digital device, pursuant to part 15 of the FCC Rules. These limits are designed to provide reasonable protection against harmful interference in a residential installation. This equipment generates, uses and can radiate radio frequency energy and, if not installed and used in accordance with the instructions, may cause harmful interference to radio communications. However, there is no guarantee that interference will not occur in a particular installation. If this equipment does cause harmful interference to radio or television reception, which can be determined by turning the equipment off and on, the user is encouraged to try to correct the interference by one or more of the following measures:

- Reorient or relocate the receiving antenna.
- Increase the separation between the equipment and receiver.
- Connect the equipment into an outlet on a circuit different from that to which the receiver is connected.
- Consult the dealer or an experienced radio/TV technician for help.

3.2 Canada

3.2.1 For EVMs issued with an Industry Canada Certificate of Conformance to RSS-210 or RSS-247

Concerning EVMs Including Radio Transmitters:

This device complies with Industry Canada license-exempt RSSs. Operation is subject to the following two conditions:

(1) this device may not cause interference, and (2) this device must accept any interference, including interference that may cause undesired operation of the device.

Concernant les EVMs avec appareils radio:

Le présent appareil est conforme aux CNR d'Industrie Canada applicables aux appareils radio exempts de licence. L'exploitation est autorisée aux deux conditions suivantes: (1) l'appareil ne doit pas produire de brouillage, et (2) l'utilisateur de l'appareil doit accepter tout brouillage radioélectrique subi, même si le brouillage est susceptible d'en compromettre le fonctionnement.

Concerning EVMs Including Detachable Antennas:

Under Industry Canada regulations, this radio transmitter may only operate using an antenna of a type and maximum (or lesser) gain approved for the transmitter by Industry Canada. To reduce potential radio interference to other users, the antenna type and its gain should be so chosen that the equivalent isotropically radiated power (e.i.r.p.) is not more than that necessary for successful communication. This radio transmitter has been approved by Industry Canada to operate with the antenna types listed in the user guide with the maximum permissible gain and required antenna impedance for each antenna type indicated. Antenna types not included in this list, having a gain greater than the maximum gain indicated for that type, are strictly prohibited for use with this device.

Concernant les EVMs avec antennes détachables

Conformément à la réglementation d'Industrie Canada, le présent émetteur radio peut fonctionner avec une antenne d'un type et d'un gain maximal (ou inférieur) approuvé pour l'émetteur par Industrie Canada. Dans le but de réduire les risques de brouillage radioélectrique à l'intention des autres utilisateurs, il faut choisir le type d'antenne et son gain de sorte que la puissance isotrope rayonnée équivalente (p.i.r.e.) ne dépasse pas l'intensité nécessaire à l'établissement d'une communication satisfaisante. Le présent émetteur radio a été approuvé par Industrie Canada pour fonctionner avec les types d'antenne énumérés dans le manuel d'usage et ayant un gain admissible maximal et l'impédance requise pour chaque type d'antenne. Les types d'antenne non inclus dans cette liste, ou dont le gain est supérieur au gain maximal indiqué, sont strictement interdits pour l'exploitation de l'émetteur.

3.3 Japan

3.3.1 *Notice for EVMs delivered in Japan:* Please see http://www.tij.co.jp/llds/ti_ja/general/eStore/notice_01.page 日本国内に輸入される評価用キット、ボードについては、次のところをご覧ください。

<https://www.ti.com/ja-jp/legal/notice-for-evaluation-kits-delivered-in-japan.html>

3.3.2 *Notice for Users of EVMs Considered "Radio Frequency Products" in Japan:* EVMs entering Japan may not be certified by TI as conforming to Technical Regulations of Radio Law of Japan.

If User uses EVMs in Japan, not certified to Technical Regulations of Radio Law of Japan, User is required to follow the instructions set forth by Radio Law of Japan, which includes, but is not limited to, the instructions below with respect to EVMs (which for the avoidance of doubt are stated strictly for convenience and should be verified by User):

1. Use EVMs in a shielded room or any other test facility as defined in the notification #173 issued by Ministry of Internal Affairs and Communications on March 28, 2006, based on Sub-section 1.1 of Article 6 of the Ministry's Rule for Enforcement of Radio Law of Japan,
2. Use EVMs only after User obtains the license of Test Radio Station as provided in Radio Law of Japan with respect to EVMs, or
3. Use of EVMs only after User obtains the Technical Regulations Conformity Certification as provided in Radio Law of Japan with respect to EVMs. Also, do not transfer EVMs, unless User gives the same notice above to the transferee. Please note that if User does not follow the instructions above, User will be subject to penalties of Radio Law of Japan.

【無線電波を送信する製品の開発キットをお使いになる際の注意事項】 開発キットの中には技術基準適合証明を受けていないものがあります。技術適合証明を受けていないものご使用に際しては、電波法遵守のため、以下のいずれかの措置を取っていただく必要がありますのでご注意ください。

1. 電波法施行規則第6条第1項第1号に基づく平成18年3月28日総務省告示第173号で定められた電波暗室等の試験設備でご使用いただく。
2. 実験局の免許を取得後ご使用いただく。
3. 技術基準適合証明を取得後ご使用いただく。

なお、本製品は、上記の「ご使用にあたっての注意」を譲渡先、移転先に通知しない限り、譲渡、移転できないものとします。

上記を遵守頂けない場合は、電波法の罰則が適用される可能性があることをご留意ください。日本テキサス・イ

ンスツルメンツ株式会社

東京都新宿区西新宿 6 丁目 2 4 番 1 号

西新宿三井ビル

3.3.3 *Notice for EVMs for Power Line Communication:* Please see http://www.tij.co.jp/llds/ti_ja/general/eStore/notice_02.page

電力線搬送波通信についての開発キットをお使いになる際の注意事項については、次のところをご覧ください。 <https://www.ti.com/ja-jp/legal/notice-for-evaluation-kits-for-power-line-communication.html>

3.4 European Union

3.4.1 *For EVMs subject to EU Directive 2014/30/EU (Electromagnetic Compatibility Directive):*

This is a class A product intended for use in environments other than domestic environments that are connected to a low-voltage power-supply network that supplies buildings used for domestic purposes. In a domestic environment this product may cause radio interference in which case the user may be required to take adequate measures.

-
- 4 *EVM Use Restrictions and Warnings:*
 - 4.1 EVMS ARE NOT FOR USE IN FUNCTIONAL SAFETY AND/OR SAFETY CRITICAL EVALUATIONS, INCLUDING BUT NOT LIMITED TO EVALUATIONS OF LIFE SUPPORT APPLICATIONS.
 - 4.2 User must read and apply the user guide and other available documentation provided by TI regarding the EVM prior to handling or using the EVM, including without limitation any warning or restriction notices. The notices contain important safety information related to, for example, temperatures and voltages.
 - 4.3 *Safety-Related Warnings and Restrictions:*
 - 4.3.1 User shall operate the EVM within TI's recommended specifications and environmental considerations stated in the user guide, other available documentation provided by TI, and any other applicable requirements and employ reasonable and customary safeguards. Exceeding the specified performance ratings and specifications (including but not limited to input and output voltage, current, power, and environmental ranges) for the EVM may cause personal injury or death, or property damage. If there are questions concerning performance ratings and specifications, User should contact a TI field representative prior to connecting interface electronics including input power and intended loads. Any loads applied outside of the specified output range may also result in unintended and/or inaccurate operation and/or possible permanent damage to the EVM and/or interface electronics. Please consult the EVM user guide prior to connecting any load to the EVM output. If there is uncertainty as to the load specification, please contact a TI field representative. During normal operation, even with the inputs and outputs kept within the specified allowable ranges, some circuit components may have elevated case temperatures. These components include but are not limited to linear regulators, switching transistors, pass transistors, current sense resistors, and heat sinks, which can be identified using the information in the associated documentation. When working with the EVM, please be aware that the EVM may become very warm.
 - 4.3.2 EVMs are intended solely for use by technically qualified, professional electronics experts who are familiar with the dangers and application risks associated with handling electrical mechanical components, systems, and subsystems. User assumes all responsibility and liability for proper and safe handling and use of the EVM by User or its employees, affiliates, contractors or designees. User assumes all responsibility and liability to ensure that any interfaces (electronic and/or mechanical) between the EVM and any human body are designed with suitable isolation and means to safely limit accessible leakage currents to minimize the risk of electrical shock hazard. User assumes all responsibility and liability for any improper or unsafe handling or use of the EVM by User or its employees, affiliates, contractors or designees.
 - 4.4 User assumes all responsibility and liability to determine whether the EVM is subject to any applicable international, federal, state, or local laws and regulations related to User's handling and use of the EVM and, if applicable, User assumes all responsibility and liability for compliance in all respects with such laws and regulations. User assumes all responsibility and liability for proper disposal and recycling of the EVM consistent with all applicable international, federal, state, and local requirements.
 5. *Accuracy of Information:* To the extent TI provides information on the availability and function of EVMs, TI attempts to be as accurate as possible. However, TI does not warrant the accuracy of EVM descriptions, EVM availability or other information on its websites as accurate, complete, reliable, current, or error-free.
 6. *Disclaimers:*
 - 6.1 EXCEPT AS SET FORTH ABOVE, EVMS AND ANY MATERIALS PROVIDED WITH THE EVM (INCLUDING, BUT NOT LIMITED TO, REFERENCE DESIGNS AND THE DESIGN OF THE EVM ITSELF) ARE PROVIDED "AS IS" AND "WITH ALL FAULTS." TI DISCLAIMS ALL OTHER WARRANTIES, EXPRESS OR IMPLIED, REGARDING SUCH ITEMS, INCLUDING BUT NOT LIMITED TO ANY EPIDEMIC FAILURE WARRANTY OR IMPLIED WARRANTIES OF MERCHANTABILITY OR FITNESS FOR A PARTICULAR PURPOSE OR NON-INFRINGEMENT OF ANY THIRD PARTY PATENTS, COPYRIGHTS, TRADE SECRETS OR OTHER INTELLECTUAL PROPERTY RIGHTS.
 - 6.2 EXCEPT FOR THE LIMITED RIGHT TO USE THE EVM SET FORTH HEREIN, NOTHING IN THESE TERMS SHALL BE CONSTRUED AS GRANTING OR CONFERRING ANY RIGHTS BY LICENSE, PATENT, OR ANY OTHER INDUSTRIAL OR INTELLECTUAL PROPERTY RIGHT OF TI, ITS SUPPLIERS/LICENSORS OR ANY OTHER THIRD PARTY, TO USE THE EVM IN ANY FINISHED END-USER OR READY-TO-USE FINAL PRODUCT, OR FOR ANY INVENTION, DISCOVERY OR IMPROVEMENT, REGARDLESS OF WHEN MADE, CONCEIVED OR ACQUIRED.
 7. *USER'S INDEMNITY OBLIGATIONS AND REPRESENTATIONS.* USER WILL DEFEND, INDEMNIFY AND HOLD TI, ITS LICENSORS AND THEIR REPRESENTATIVES HARMLESS FROM AND AGAINST ANY AND ALL CLAIMS, DAMAGES, LOSSES, EXPENSES, COSTS AND LIABILITIES (COLLECTIVELY, "CLAIMS") ARISING OUT OF OR IN CONNECTION WITH ANY HANDLING OR USE OF THE EVM THAT IS NOT IN ACCORDANCE WITH THESE TERMS. THIS OBLIGATION SHALL APPLY WHETHER CLAIMS ARISE UNDER STATUTE, REGULATION, OR THE LAW OF TORT, CONTRACT OR ANY OTHER LEGAL THEORY, AND EVEN IF THE EVM FAILS TO PERFORM AS DESCRIBED OR EXPECTED.

8. *Limitations on Damages and Liability:*

8.1 *General Limitations.* IN NO EVENT SHALL TI BE LIABLE FOR ANY SPECIAL, COLLATERAL, INDIRECT, PUNITIVE, INCIDENTAL, CONSEQUENTIAL, OR EXEMPLARY DAMAGES IN CONNECTION WITH OR ARISING OUT OF THESE TERMS OR THE USE OF THE EVMS , REGARDLESS OF WHETHER TI HAS BEEN ADVISED OF THE POSSIBILITY OF SUCH DAMAGES. EXCLUDED DAMAGES INCLUDE, BUT ARE NOT LIMITED TO, COST OF REMOVAL OR REINSTALLATION, ANCILLARY COSTS TO THE PROCUREMENT OF SUBSTITUTE GOODS OR SERVICES, RETESTING, OUTSIDE COMPUTER TIME, LABOR COSTS, LOSS OF GOODWILL, LOSS OF PROFITS, LOSS OF SAVINGS, LOSS OF USE, LOSS OF DATA, OR BUSINESS INTERRUPTION. NO CLAIM, SUIT OR ACTION SHALL BE BROUGHT AGAINST TI MORE THAN TWELVE (12) MONTHS AFTER THE EVENT THAT GAVE RISE TO THE CAUSE OF ACTION HAS OCCURRED.

8.2 *Specific Limitations.* IN NO EVENT SHALL TI'S AGGREGATE LIABILITY FROM ANY USE OF AN EVM PROVIDED HEREUNDER, INCLUDING FROM ANY WARRANTY, INDEMNITY OR OTHER OBLIGATION ARISING OUT OF OR IN CONNECTION WITH THESE TERMS, , EXCEED THE TOTAL AMOUNT PAID TO TI BY USER FOR THE PARTICULAR EVM(S) AT ISSUE DURING THE PRIOR TWELVE (12) MONTHS WITH RESPECT TO WHICH LOSSES OR DAMAGES ARE CLAIMED. THE EXISTENCE OF MORE THAN ONE CLAIM SHALL NOT ENLARGE OR EXTEND THIS LIMIT.

9. *Return Policy.* Except as otherwise provided, TI does not offer any refunds, returns, or exchanges. Furthermore, no return of EVM(s) will be accepted if the package has been opened and no return of the EVM(s) will be accepted if they are damaged or otherwise not in a resalable condition. If User feels it has been incorrectly charged for the EVM(s) it ordered or that delivery violates the applicable order, User should contact TI. All refunds will be made in full within thirty (30) working days from the return of the components(s), excluding any postage or packaging costs.

10. *Governing Law:* These terms and conditions shall be governed by and interpreted in accordance with the laws of the State of Texas, without reference to conflict-of-laws principles. User agrees that non-exclusive jurisdiction for any dispute arising out of or relating to these terms and conditions lies within courts located in the State of Texas and consents to venue in Dallas County, Texas. Notwithstanding the foregoing, any judgment may be enforced in any United States or foreign court, and TI may seek injunctive relief in any United States or foreign court.

Mailing Address: Texas Instruments, Post Office Box 655303, Dallas, Texas 75265
Copyright © 2023, Texas Instruments Incorporated

IMPORTANT NOTICE AND DISCLAIMER

TI PROVIDES TECHNICAL AND RELIABILITY DATA (INCLUDING DATASHEETS), DESIGN RESOURCES (INCLUDING REFERENCE DESIGNS), APPLICATION OR OTHER DESIGN ADVICE, WEB TOOLS, SAFETY INFORMATION, AND OTHER RESOURCES "AS IS" AND WITH ALL FAULTS, AND DISCLAIMS ALL WARRANTIES, EXPRESS AND IMPLIED, INCLUDING WITHOUT LIMITATION ANY IMPLIED WARRANTIES OF MERCHANTABILITY, FITNESS FOR A PARTICULAR PURPOSE OR NON-INFRINGEMENT OF THIRD PARTY INTELLECTUAL PROPERTY RIGHTS.

These resources are intended for skilled developers designing with TI products. You are solely responsible for (1) selecting the appropriate TI products for your application, (2) designing, validating and testing your application, and (3) ensuring your application meets applicable standards, and any other safety, security, regulatory or other requirements.

These resources are subject to change without notice. TI grants you permission to use these resources only for development of an application that uses the TI products described in the resource. Other reproduction and display of these resources is prohibited. No license is granted to any other TI intellectual property right or to any third party intellectual property right. TI disclaims responsibility for, and you fully indemnify TI and its representatives against any claims, damages, costs, losses, and liabilities arising out of your use of these resources.

TI's products are provided subject to [TI's Terms of Sale](#), [TI's General Quality Guidelines](#), or other applicable terms available either on [ti.com](#) or provided in conjunction with such TI products. TI's provision of these resources does not expand or otherwise alter TI's applicable warranties or warranty disclaimers for TI products. Unless TI explicitly designates a product as custom or customer-specified, TI products are standard, catalog, general purpose devices.

TI objects to and rejects any additional or different terms you may propose.

Copyright © 2025, Texas Instruments Incorporated

Last updated 10/2025