

TMP411 $\pm 1^\circ\text{C}$ and TMP411D $\pm 0.8^\circ\text{C}$ Remote and Local Temperature Sensor With N-Factor and Series Resistance Correction

1 Features

- **TMP411:**
 - $\pm 1^\circ\text{C}$ Local channel accuracy
 - $\pm 1^\circ\text{C}$ Remote channel accuracy
 - Supply range: 2.7V to 5.5V
 - Available in VSSOP and SOIC 8-pin packages
- **TMP411D:**
 - $\pm 0.8^\circ\text{C}$ Local channel accuracy
 - $\pm 0.8^\circ\text{C}$ Remote channel accuracy
 - Supply range: 1.62V to 5.5V
 - Available in SOT-23 8-pin package
- Wide operating range: -40°C to 125°C
- Support I²C and SMBus interface
- Programmable Resolution: 9 to 12 Bits
- Programmable Non-Ideality Factor
- Series Resistance Cancellation
- Offset Registers for System Calibration
- Programmable Threshold Limits
- Diode Fault Detection
- Alert Function
 - ALERT and THERM2 Pin Configuration
- Multiple Interface Addresses
- Pin and Registers Compatible With ADT7461 and ADM1032

2 Applications

- [Enterprise systems](#)
 - [Rack server motherboard](#)
 - [Smart network interface card \(NIC\)](#)
- [Standard notebook PC](#)
- [Wireless infrastructure](#)
 - [Small cell base station](#)
 - [Baseband unit \(BBU\)](#)
- [Software defined radio](#)
- [Processor and FPGA Temperature Monitoring](#)

3 Description

The TMP411 and TMP411D devices are remote temperature sensors with a built-in local temperature sensor. The remote temperature sensor, diode-connected transistors are typically low-cost, NPN- or PNP-type transistors or diodes that are an integral part of microcontrollers, microprocessors, or FPGAs.

Remote temperature accuracy is $\pm 1^\circ\text{C}$ (TMP411) or $\pm 0.8^\circ\text{C}$ (TMP411D) for multiple device manufacturers, with no calibration needed. The two-wire serial interface accepts SMBus write byte, read byte, send byte and receive byte commands to program the alarm thresholds and to read temperature data.

Features that are included in the TMP411 and TMP411D devices are: series resistance cancellation, programmable non-ideality factor, programmable resolution, programmable threshold limits, user-defined offset register for maximum accuracy, minimum and maximum temperature monitors, wide remote temperature measurement range (up to 150°C), diode fault detection, and temperature alert function.

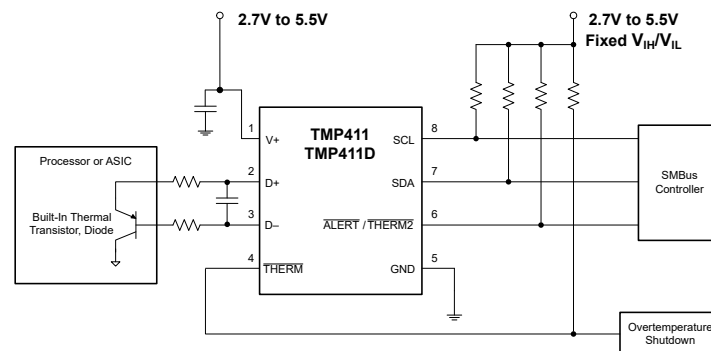
The TMP411 device is available in VSSOP-8 and SOIC-8 packages and TMP411D is available in SOT23-8 package.

Package Information

PART NUMBER	PACKAGE ⁽¹⁾	PACKAGE SIZE ⁽²⁾
TMP411	VSSOP (8)	3.0mm × 4.9mm
	SOIC (8)	4.9mm × 6.0mm
TMP411D	SOT23 (8)	2.9mm × 2.8mm

(1) For more information, see [Section 12](#).

(2) The package size (length × width) is a nominal value and includes pins, where applicable.



Simplified Block Diagram



Table of Contents

1 Features	1	8.5 Status Register.....	33
2 Applications	1	8.6 Configuration Register.....	34
3 Description	1	8.7 Resolution Register.....	35
4 Device Comparison	3	8.8 Conversion Rate Register.....	35
5 Pin Configuration and Functions	5	8.9 N-Factor Correction Register.....	36
6 Specifications	6	8.10 Minimum and Maximum Registers.....	37
6.1 Absolute Maximum Ratings.....	6	8.11 Consecutive Alert Register.....	38
6.2 ESD Ratings.....	6	8.12 THERM Hysteresis Register.....	38
6.3 Recommended Operating Conditions.....	6	8.13 Remote Temperature Offset Register.....	39
6.4 Thermal Information.....	6	8.14 Identification Registers.....	39
6.5 Electrical Characteristics (TMP411).....	7	9 Application and Implementation	40
6.6 Electrical Characteristics (TMP411D).....	9	9.1 Application Information.....	40
6.7 Timing Characteristics.....	11	9.2 Typical Application.....	41
6.8 Two-Wire Timing Diagram.....	11	9.3 Power Supply Recommendations.....	44
6.9 Typical Characteristics (TMP411).....	12	9.4 Layout.....	44
6.10 Typical Characteristics (TMP411D).....	16	10 Device and Documentation Support	46
7 Detailed Description	19	10.1 Documentation Support.....	46
7.1 Overview.....	19	10.2 Receiving Notification of Documentation Updates.....	46
7.2 Functional Block Diagram.....	20	10.3 Support Resources.....	46
7.3 Feature Description.....	20	10.4 Trademarks.....	46
7.4 Device Functional Modes.....	24	10.5 Electrostatic Discharge Caution.....	46
7.5 Programming.....	25	10.6 Glossary.....	46
8 Register Map	30	11 Revision History	46
8.1 Register Information.....	32	12 Mechanical, Packaging, and Orderable Information	47
8.2 Pointer Register.....	32	12.1 Tape and Reel Information.....	48
8.3 Temperature Registers.....	32		
8.4 Limit Registers.....	33		

4 Device Comparison

Table 4-1. Device Comparison

Feature	TMP411	TMP411D ^{(2), (4)}	TMP421	TMP451 ^{(1), (4)}	TMP461 ^{(2), (4)}	TMP4718 ^{(2), (5)}
V _{DD} (V)	2.7 to 5.5	1.62 to 5.5	2.7 to 5.5	1.7 to 3.6	1.7 to 3.6	1.62 to 5.5
Local Temperature Accuracy (°C)						
-40°C (max)	±2.5 ⁽²⁾	±1	±2.5 ⁽²⁾	±2	±1.25	±1
-25°C (max)	±2.5 ⁽²⁾	±0.8	±2.5 ⁽²⁾	±2	±1.25	±1
-10°C (max)	±2.5 ⁽²⁾	±0.8	±2.5 ⁽²⁾	±2	±1	±1
0°C (max)	±2.5 ⁽²⁾	±0.8	±2.5 ⁽²⁾	±1	±1	±1
15°C (max)	±1 ⁽¹⁾	±0.8	±1.5 ⁽¹⁾	±1	±1	±1
70°C (max)	±1 ⁽¹⁾	±0.8	±1.5 ⁽¹⁾	±1	±1	±1
85°C (max)	±1 ⁽¹⁾	±0.8	±1.5 ⁽¹⁾	±2	±1	±1
100°C (max)	±2.5 ⁽²⁾	±1	±2.5 ⁽²⁾	±2	±1	±1
125°C (max)	±2.5 ⁽²⁾	±1	±2.5 ⁽²⁾	±2	±1.25	±1
Remote Temperature Accuracy (°C)						
-40°C (max)	±3 ^{(1), (3)}	±1	±3 ^{(1), (3)}	±2	±1.5	±1.5
-25°C (max)	±3 ^{(1), (3)}	±0.8	±3 ^{(1), (3)}	±2	±1.5	±1.5
-10°C (max)	±3 ^{(1), (3)}	±0.8	±3 ^{(1), (3)}	±2	±1.5	±1
0°C (max)	±3 ^{(1), (3)}	±0.8	±3 ^{(1), (3)}	±1	±0.75	±1
15°C (max)	±1 ^{(1), (3)}	±0.8	±1 ^{(1), (3)}	±1	±0.75	±1
70°C (max)	±1 ^{(1), (3)}	±0.8	±1 ^{(1), (3)}	±1	±0.75	±1
75°C (max)	±1 ^{(1), (3)}	±0.8	±1 ^{(1), (3)}	±2	±0.75	±1
85°C (max)	±3 ^{(1), (3)}	±0.8	±1 ^{(1), (3)}	±2	±0.75	±1
100°C (max)	±3 ^{(1), (3)}	±1	±3 ^{(1), (3)}	±2	±0.75	±1.5
105°C (max)	±5 ^{(1), (3)}	±1	±5 ^{(2), (3)}	±4	±1.5	±1.5
125°C (max)	±5 ^{(1), (3)}	±1.25	±5 ^{(2), (3)}	±4	±1.5	±1.5
Digital Input/Output						
Resolution (Bit) (Local & Remote)	L = 9 to 12 R = 12	L = 9 to 12 R = 12	L = 12 R = 12	L = 12 R = 12	L = 12 R = 12	L = 8 R = 11
V _{IH} /V _{IL}	2.1/0.8	2.1/0.8 & 70%/30% V _{DD}	2.1/0.8	1.4/0.45	1.4/0.45	0.9/0.4
Current Consumption and Conversion Time (Typ: V_{DD}=3.3V and 25°C)						
T _{Conv} (ms) (per channel)	115±2	17.7	115	31±2	15	17.7
I _{AVG} at 0.0625Hz (µA)	28	1.5	32	27	16	1.5
I _{SB} (µA)	7.5	1	-	-	15	1
I _{SD} (µA)	3	0.6	3	3	3	0.5
Features: R _{Series} Cancellation, N-Factor Correction, Diode Fault Detection, Digital Filter						
I ² C Addresses	4 orderables	4 orderables	4 (A1/A0 pins)	2 orderables	9 (A1/A0 pins)	2 orderables
Packaging Dimension						
Dimensions [mm × mm × mm]	VSSOP (8-pin) 3 × 4.9 × 1.1 SOIC (8-pin) 4.9 × 6 × 1.75	SOT-23 (8-pin) 2.9 × 2.8 × 1.1	SOT-23 (8-pin) 2.9 × 2.8 × 1.1 DSBGA (8-pin) 2.2 × 1 × 0.625	WSON (8-pin) 2 × 2 × 0.8	WQFN (10-pin) 2 × 2 × 0.8	VSSOP (8-pin) 3 × 4.9 × 1.1

1. Temperature accuracy is specified over V_{DD} = 3.3V.

2. Temperature accuracy is specified over whole power supply.
3. Remote temperature accuracy is specified over $T_{DIODE} = -40^{\circ}\text{C}$ to 150°C .
4. Remote temperature accuracy is specified over $T_{DIODE} = -55^{\circ}\text{C}$ to 150°C .
5. Remote temperature accuracy is specified over $T_{DIODE} = -55^{\circ}\text{C}$ to 125°C .

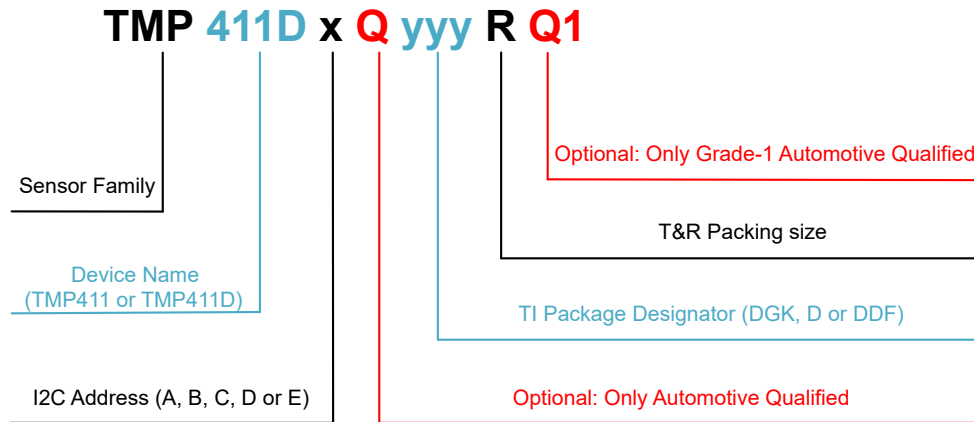


Figure 4-1. TMP411/TMP411D Device Nomenclature

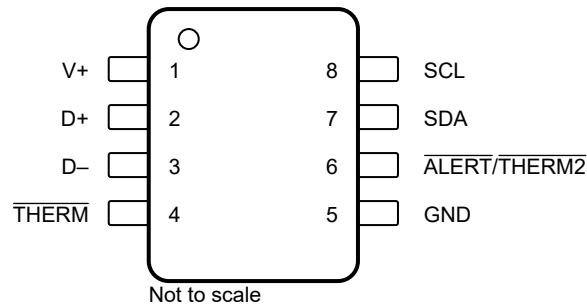
Table 4-2. TMP411/TMP411D Device Nomenclature Description

Field Description	Field Detail
Sensor Family	TMP: Temperature Sensors
Device Name	411 or 411D
I ² C Address	<ul style="list-style-type: none"> • TMP411A/ TMP411DA - 4Ch/ 1001100'b • TMP411B/ TMP411DB - 4Dh/ 1001101'b • TMP411C/ TMP411DC - 4Eh/ 1001110'b • TMP411E/ TMP411DE - 4Ch/ 1001100'b - Offset register
Automotive qualified	Optional: applies to only automotive qualified devices
TI Package Designator	<p>TMP411:</p> <ul style="list-style-type: none"> • D, SOIC package, 1.75mm (max) height • DGK, VSSOP package, 1.1mm (max) height <p>TMP411D:</p> <ul style="list-style-type: none"> • DDF, SOT23 package, 1.1mm (max) height
T&R Packing Size	Large T&R, SPQ (TMP411) = 2,500 units & SPQ (TMP411D) = 3,000 units
Automotive grade-1 qualified	Optional: AEC-Q100 Qualified for automotive applications

Table 4-3. TMP411/TMP411D Device Nomenclature Detail

PRODUCT	OUT
TMP411x yyyR	<p>x indicates that the device has A, B, C or E variant. These devices can ship with the legacy chip (CSO: WFM or DM5) or the new chip (CSO: RFB). The reel packaging label provides date code information to distinguish which chip is being used. Device performance for new and legacy chips is denoted throughout the document.</p> <p>yyy indicates that the package type of the device which can be D (SOIC 8-pin) or DGK (VSSOP 8-pin).</p>
TMP411Dx yyyR	<p>x indicates that the device has A, B, C or E variant. TMP411D has only CSO: RFB.</p> <p>yyy indicates that the package type of the device which is DDF (SOT23 8-pin).</p>

5 Pin Configuration and Functions



**Figure 5-1. DGK, D and DDF Packages
8-Pin VSSOP, SOIC and SOT23
Top View**

Table 5-1. Pin Functions

PIN		Type	DESCRIPTION
NAME	NO.		
V+	1	Power supply	Positive supply (2.7V to 5.5V for TMP411) and (1.62V to 5.5V for TMP411D)
D+	2	Analog input	Positive connection to remote temperature sensor
D-	3	Analog input	Negative connection to remote temperature sensor
$\overline{\text{THERM}}$	4	Digital output	Thermal flag, active low, open-drain; requires pullup resistor to V+
GND	5	Ground	Ground
$\overline{\text{ALERT/THERM2}}$	6	Digital output	Alert (reconfigurable as second thermal flag), active low, open-drain; requires pullup resistor to V+
SDA	7	Bidirectional digital input-output	Serial data line for SMBus, open-drain; requires pull-up resistor to V+
SCL	8	Digital input	Serial clock line for SMBus, open-drain; requires pullup resistor to V+

6 Specifications

6.1 Absolute Maximum Ratings

Over operating free-air temperature range (unless otherwise noted)⁽¹⁾

			MIN	MAX	UNIT
Input voltage	Pins 2, 3, 4 only	TMP411 (Legacy chip)	-0.5	(V+) + 0.5	V
	Pins 6, 7, 8 only		-0.5	7	
	Pins 2, 3 only	TMP411 (New chip) TMP411D	-0.5	2	V
	Pins 4, 6, 7, 8 only		-0.5	6	
Input current				10	mA
Power supply, V+				7	V
				6	
Operating temperature range			-55	127	°C
Junction temperature, T _{J(max)}				150	°C
Storage temperature, T _{stg}			-60	130	°C

- (1) Operation outside the *Absolute Maximum Ratings* may cause permanent device damage. *Absolute Maximum Ratings* do not imply functional operation of the device at these or any other conditions beyond those listed under *Recommended Operating Conditions*. If used outside the *Recommended Operating Conditions* but within the *Absolute Maximum Ratings*, the device may not be fully functional, and this may affect device reliability, functionality, performance, and shorten the device lifetime.

6.2 ESD Ratings

			VALUE	UNIT
V _(ESD)	Electrostatic discharge	Human-body model (HBM), per ANSI/ESDA/JEDEC JS-001 ⁽¹⁾	±3000	V
		Charged-device model (CDM), per ANSI/ESDA/JEDEC JS-002 ⁽²⁾	±1000	

- (1) JEDEC document JEP155 states that 500V HBM allows safe manufacturing with a standard ESD control process.
 (2) JEDEC document JEP157 states that 250V CDM allows safe manufacturing with a standard ESD control process.

6.3 Recommended Operating Conditions

Over free-air temperature range (unless otherwise noted)

			MIN	NOM	MAX	UNIT
V+	Supply voltage, TMP411		2.7	3.3	5.5	V
	Supply voltage, TMP411D		1.62	3.3	5.5	
T _A	Operating free-air temperature		-40		125	°C

6.4 Thermal Information

THERMAL METRIC ⁽¹⁾		TMP411/TMP411D					UNIT
		D (SOIC) Legacy chip	D (SOIC) New chip	DGK (VSSOP) Legacy chip	DGK (VSSOP) New chip	DDF (SOT-23)	
		8 PINS	8 PINS	8 PINS	8 PINS	8 PINS	
R _{θJA}	Junction-to-ambient thermal resistance	112.3	109.9	166.1	161.5	182.4	°C/W
R _{θJC(top)}	Junction-to-case (top) thermal resistance	59.4	49.8	58.3	71.1	98.9	°C/W
R _{θJB}	Junction-to-board thermal resistance	53.0	56.9	86.7	96.6	99.1	°C/W
ψ _{JT}	Junction-to-top characterization parameter	13.6	6.0	7.5	9.2	10.4	°C/W

THERMAL METRIC ⁽¹⁾		TMP411/TMP411D					UNIT
		D (SOIC) Legacy chip	D (SOIC) New chip	DGK (VSSOP) Legacy chip	DGK (VSSOP) New chip	DDF (SOT-23)	
		8 PINS	8 PINS	8 PINS	8 PINS	8 PINS	
Ψ_{JB}	Junction-to-board characterization parameter	52.4	56.0	85.2	95.0	98.9	°C/W

(1) For more information about traditional and new thermal metrics, see the [Semiconductor and IC Package Thermal Metrics](#) application report.

6.5 Electrical Characteristics (TMP411)

At $T_A = -40^\circ\text{C}$ to $+125^\circ\text{C}$ and $V_+ = 2.7\text{V}$ to 5.5V , over operating free-air temperature range (unless otherwise noted)

PARAMETER		TEST CONDITIONS		MIN	TYP	MAX	UNIT	
TEMPERATURE ERROR								
$T_{\text{ERROR(L)OCAL}}$	Local temperature sensor	$T_A = 15^\circ\text{C}$ to 85°C $V_+ = 3.3\text{V}$		-1	± 0.25	1	°C	
		$T_A = -40^\circ\text{C}$ to 125°C		-2.5	± 1.25	2.5		
$T_{\text{ERROR(R)EMOTE}}$	Remote temperature sensor ⁽¹⁾	$T_A = 15^\circ\text{C}$ to 75°C $T_{\text{DIODE}} = -40^\circ\text{C}$ to 150°C $V_+ = 3.3\text{V}$		-1	± 0.0625	1	°C	
		$T_A = -40^\circ\text{C}$ to 100°C $T_{\text{DIODE}} = -40^\circ\text{C}$ to 150°C $V_+ = 3.3\text{V}$		-3	± 1	3		
		$T_A = -40^\circ\text{C}$ to 125°C $T_{\text{DIODE}} = -40^\circ\text{C}$ to 150°C $V_+ = 3.3\text{V}$		-5	± 3	5		
$T_{\text{ERROR_P}S}$	Temperature error power supply sensitivity (local and remote)	$V_+ = 2.7\text{V}$ to 5.5V $T_{\text{DIODE}} = -40^\circ\text{C}$ to 150°C		-0.5	± 0.2	0.5	°C/V	
TEMPERATURE MEASUREMENT								
t_{CONV}	Conversion time	One-Shot mode	Legacy chip	105	115	125	ms	
			New chip	30	35	40		
T_{RES}	Resolution	Local temperature sensor (programmable)		9		12	Bits	
		Remote temperature sensor				12		
R_{SERIES}	Remote sensor source current	High	Series resistance: 3k Ω maximum			120	μA	
		Medium high				60		
		Medium low		Legacy chip only				12
		Low						6
η	Remote transistor ideality factor	Optimized ideality factor			1.008			
SMBus INTERFACE								
V_{IH}	Logic input high voltage (SCL, SDA)			2.1			V	
V_{IL}	Logic input low voltage (SCL, SDA)					0.8	V	
V_{HYST}	Hysteresis			170			mV	
	SMBus output low sink current			6			mA	
I_{LI} and I_{LO}	Logic input current		Legacy chip	-1		1	μA	
			New chip	-0.2		0.2		
C_{IN}	SMBus input capacitance (SCL, SDA)			3			pF	
	SMBus clock frequency					3.4	MHz	

TMP411, TMP411D

SBOS383E – DECEMBER 2006 – REVISED JULY 2025

 At $T_A = -40^{\circ}\text{C}$ to $+125^{\circ}\text{C}$ and $V_+ = 2.7\text{V}$ to 5.5V , over operating free-air temperature range (unless otherwise noted)

PARAMETER		TEST CONDITIONS		MIN	TYP	MAX	UNIT
	SMBus timeout			25	30	35	ms
	SCL falling edge to SDA valid time					1	μs
DIGITAL OUTPUTS							
V_{OL}	Output low voltage	$I_{OUT} = 6\text{mA}$	Legacy chip	0.15	0.4		V
			New chip	0.3	0.4		
I_{OH}	High-level output leakage current	$V_{OUT} = V_+$	Legacy chip	0.1	1		μA
			New chip	0.05	0.2		
	ALERT or THERM2 output low sink current	ALERT/THERM2 forced to 0.4V		6			mA
	THERM output low sink current	THERM forced to 0.4V		6			mA
POWER SUPPLY							
V_+	Specific voltage range			2.7		5.5	V
I_{DD_AVG}	Average current consumption	0.0625Hz conversion $V_+ = 3.3\text{V}$	Legacy chip	28	30		μA
			New chip	1.5	8.2		
		8Hz conversion $V_+ = 3.3\text{V}$	Legacy chip	400	475		
			New chip	45	85		
I_{DD_SD}	Shutdown current	Serial bus inactive	Legacy chip	3	10		μA
			New chip	0.6	7		
		Serial bus active, $f_s = 400\text{kHz}$	Legacy chip	90			
			New chip	7			
		Serial bus active, $f_s = 3.4\text{MHz}$	Legacy chip	350			
			New chip	55			
	Undervoltage lockout	This behavior is combined with Power-on-reset (POR). For more information, please see section 7.3.6 and footnote ⁽²⁾	Legacy chip	2.3	2.4	2.6	V
			New chip				
POR	Power-on-reset threshold		Legacy chip	1.6	2.3		V
			New chip	1.23	1.4		
	Brownout detect		New chip	1	1.14		V

- (1) Tested with less than 5Ω effective series resistance and 100pF differential input capacitance. T_A is the ambient temperature of the TMP411. T_{DIODE} is the temperature at the remote diode sensor.
- (2) When there is no remote diode connected, the first remote conversion must be ignored with the power supply ramp rate less than 240V/s .

6.6 Electrical Characteristics (TMP411D)

At $T_A = -40^\circ\text{C}$ to $+125^\circ\text{C}$ and $V_+ = 1.62\text{V}$ to 5.5V , over operating free-air temperature range (unless otherwise noted)

PARAMETER		TEST CONDITIONS		MIN	TYP	MAX	UNIT
TEMPERATURE ERROR							
$T_{\text{ERROR(LOCAL)}}$	Local temperature sensor	$T_A = -25^\circ\text{C}$ to 85°C		-0.8	± 0.1	0.8	$^\circ\text{C}$
		$T_A = -40^\circ\text{C}$ to 125°C		-1		1	
$T_{\text{ERROR(REMOTE)}}$	Remote temperature sensor ⁽¹⁾	$T_A = -25^\circ\text{C}$ to 85°C $T_{\text{DIODE}} = -55^\circ\text{C}$ to 150°C		-0.8	± 0.25	0.8	$^\circ\text{C}$
		$T_A = -40^\circ\text{C}$ to 105°C $T_{\text{DIODE}} = -55^\circ\text{C}$ to 150°C		-1		1	
		$T_A = -40^\circ\text{C}$ to 125°C $T_{\text{DIODE}} = -55^\circ\text{C}$ to 150°C		-1.25		1.25	
$T_{\text{ERROR_PS}}$	Temperature error power supply sensitivity (local and remote)	$V_+ = 1.62\text{V}$ to 5.5V $T_{\text{DIODE}} = -55^\circ\text{C}$ to 150°C		-0.2	± 0.1	0.2	$^\circ\text{C/V}$
TEMPERATURE MEASUREMENT							
T_{RES}	Resolution	Local temperature sensor (programmable)		9		12	Bits
		Remote temperature sensor			12		
T_{REPEAT}	Repeatability	Local sensor	$V_+ = 3.3\text{V}$, 1Hz conversion cycle		± 1		LSB
R_{SERIES}	Remote sensor source current	High	Series resistance: 3k Ω maximum		120		μA
		Medium			60		
		Low			6		
t_{CONV}	Conversion time	Local conversion only	one-shot mode		17.7		ms
		Remote conversion + local conversion			30	35	
t_{VAR}	Timing variation		Conversion period	-15	± 5	15	%
η	Remote transistor ideality factor		Optimized ideality factor		1.008		
SMBus INTERFACE							
C_{IN}	SMBus input capacitance (SCL, SDA)				3		pF
V_{IH}	Logic input high voltage (SCL, SDA)	$V_+ \geq 2.7\text{V}$		2.1			V
		$V_+ < 2.7\text{V}$		$0.7 \times V_+$			
V_{IL}	Logic input low voltage (SCL, SDA)	$V_+ \geq 2.7\text{V}$				0.8	V
		$V_+ < 2.7\text{V}$				$0.3 \times V_+$	
I_{LI} and I_{LO}	Logic input/output current			-0.2		0.2	μA
V_{HYST}	Hysteresis				170		mV
	SMBus clock frequency		$V_+ \geq 2.7\text{V}$			3.4	MHz
	SMBus timeout			25	30	35	ms
	SCL falling edge to SDA valid time					1	μs
DIGITAL OUTPUTS							
V_{OL}	Output low voltage	$I_{\text{OUT}} = 6\text{mA}$ $V_+ \geq 2.7\text{V}$			0.3	0.4	V
		$I_{\text{OUT}} = 3\text{mA}$ $V_+ < 2.7\text{V}$			0.17	0.4	
I_{OH}	High-level output leakage current		$V_{\text{OUT}} = V_+$		0.05	0.2	μA
POWER SUPPLY							

TMP411, TMP411D

SBOS383E – DECEMBER 2006 – REVISED JULY 2025

 At $T_A = -40^{\circ}\text{C}$ to $+125^{\circ}\text{C}$ and $V+ = 1.62\text{V}$ to 5.5V , over operating free-air temperature range (unless otherwise noted)

PARAMETER		TEST CONDITIONS	MIN	TYP	MAX	UNIT
V+	Specific voltage range		1.62		5.5	V
I _{DD_ACTIVE}	Active conversion current	Local sensor		100	150	μA
		Remote sensor		220	320	
I _{DD_SB}	Standby current	Serial bus inactive		1	7.5	μA
I _{DD_AVG}	Average current consumption	0.0625Hz conversion V+ = 3.3V		1.5	8.2	μA
		8Hz conversion V+ = 3.3V		45	85	
I _{DD_SD}	Shutdown current	Serial bus inactive		0.6	7	μA
		Serial bus active, $f_s = 400\text{kHz}$		7		
		Serial bus active, $f_s = 3.4\text{MHz}$		55		
POR	Power-on-reset threshold			1.23	1.4	V
	Brownout detect		1	1.14		

- (1) Tested with less than 5Ω effective series resistance and 100pF differential input capacitance. T_A is the ambient temperature of the TMP411D. T_{DIODE} is the temperature at the remote diode sensor.

6.7 Timing Characteristics

		FAST MODE		HIGH-SPEED MODE		UNIT
		MIN	MAX	MIN	MAX	
$f_{(SCL)}$	SCL operating frequency	0.001	0.4	0.001	3.4	MHz
$t_{(BUF)}$	Bus free time between STOP and START condition	600		160		ns
$t_{(HDSTA)}$	Hold time after repeated START condition. After this period, the first clock is generated.	100		100		ns
$t_{(SUSTA)}$	Repeated START condition setup time	100		100		ns
$t_{(SUSTO)}$	STOP condition setup time	100		100		ns
$t_{(HDDAT)}$	Data hold time	0 ⁽¹⁾		0 ⁽²⁾		ns
$t_{(SUDAT)}$	Data setup time	TMP411 (Legacy chip)		100	10	ns
		TMP411 (New chip) TMP411D		100	20	
$t_{(LOW)}$	SCL clock LOW period	1300		160		ns
$t_{(HIGH)}$	SCL clock HIGH period	600		60		ns
t_F	Clock and data fall time		300		160	ns
t_R	Clock and data rise time		300		160	ns
	SCLK \leq 100kHz		1000			ns

- (1) For cases with an SCL fall time of less than 20ns, or an SDA rise or fall time of less than 20ns, the hold time must be greater than 20ns.
- (2) For cases with an SCL fall time of less than 10ns, or an SDA rise or fall time of less than 10ns, the hold time must be greater than 10ns.

6.8 Two-Wire Timing Diagram

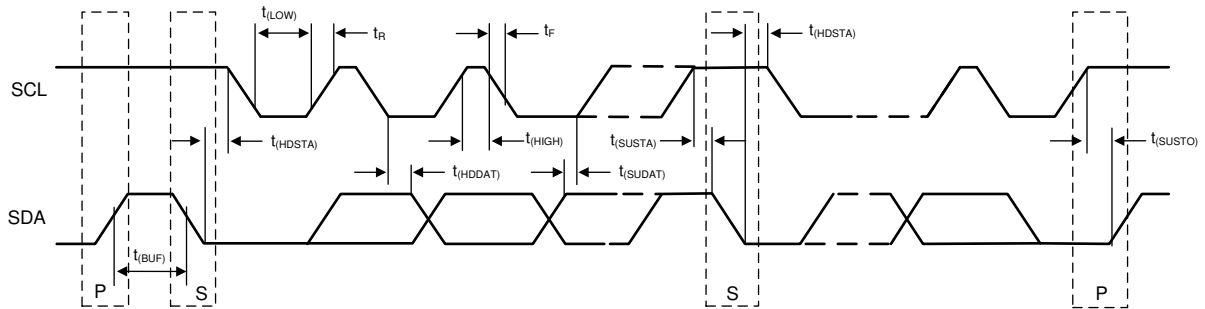
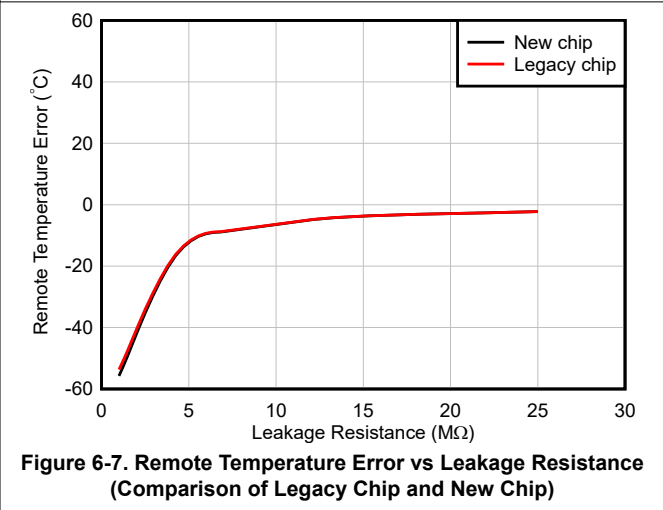
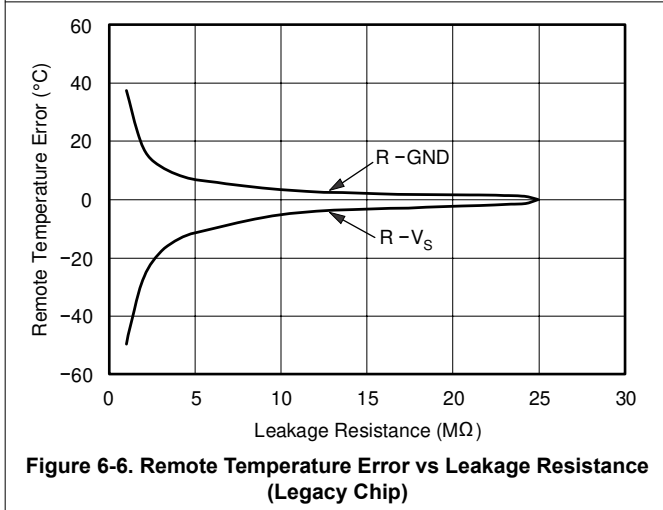
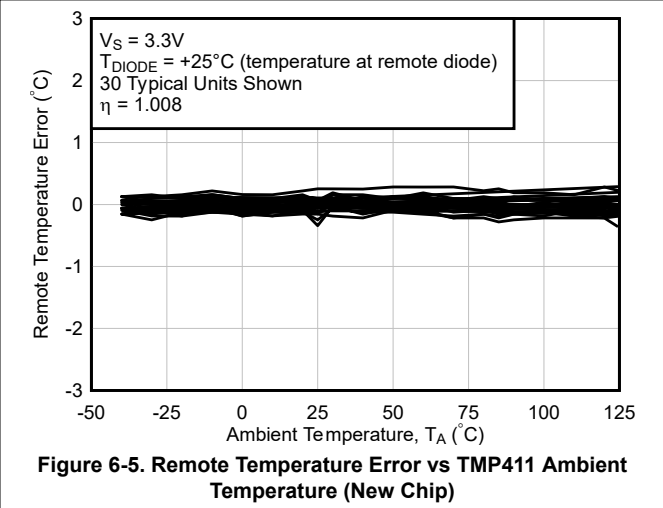
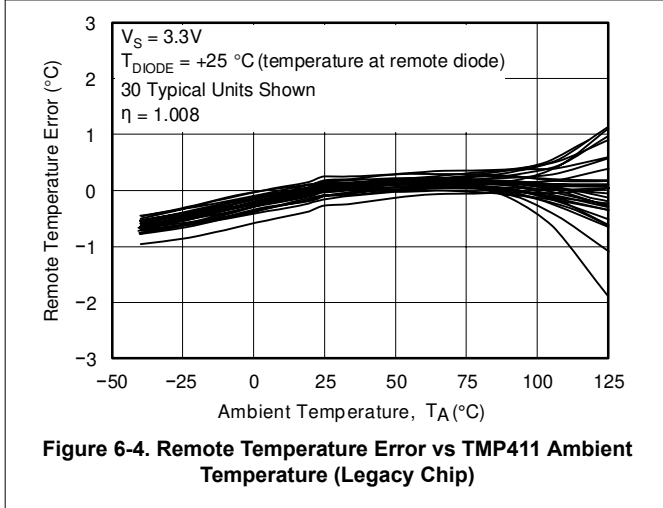
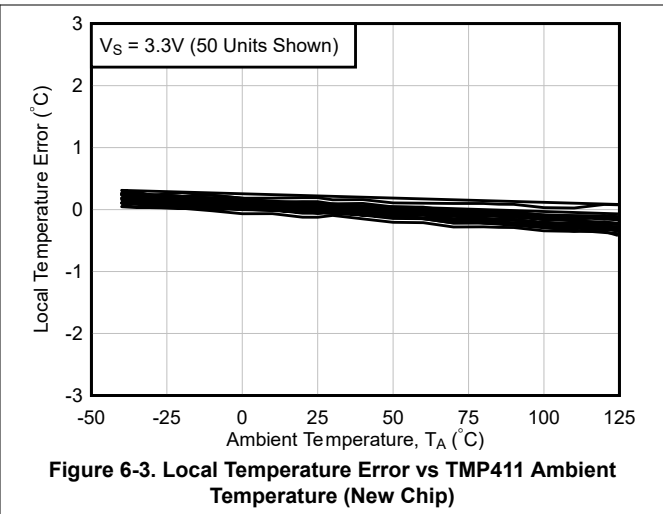
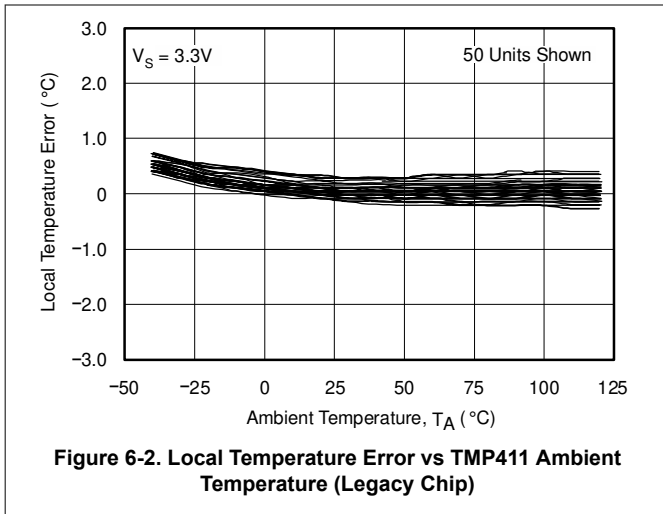


Figure 6-1. Two-Wire Timing Diagram

6.9 Typical Characteristics (TMP411)

At $T_A = 25^\circ\text{C}$ and $V_+ = V_S = 5\text{V}$ (unless otherwise noted)



6.9 Typical Characteristics (TMP411) (continued)

At $T_A = 25^\circ\text{C}$ and $V_+ = V_S = 5\text{V}$ (unless otherwise noted)

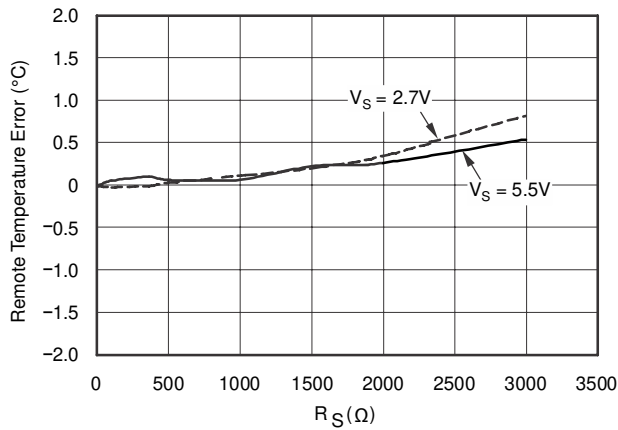


Figure 6-8. Remote Temperature Error vs Series Resistance (Diode-Connected Transistor, 2N3906 PNP) (Legacy Chip)

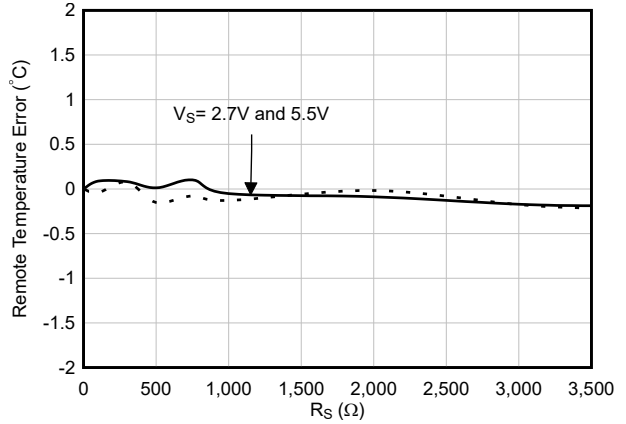


Figure 6-9. Remote Temperature Error vs Series Resistance (Diode-Connected Transistor, 2N3906 PNP) (New Chip)

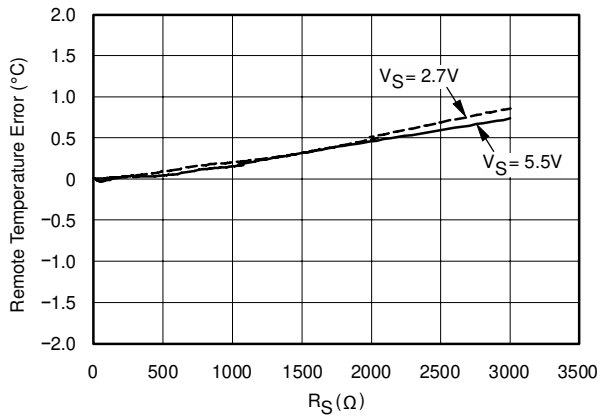


Figure 6-10. Remote Temperature Error vs Series Resistance (GND Collector-Connected Transistor, 2N3906 PNP) (Legacy Chip)

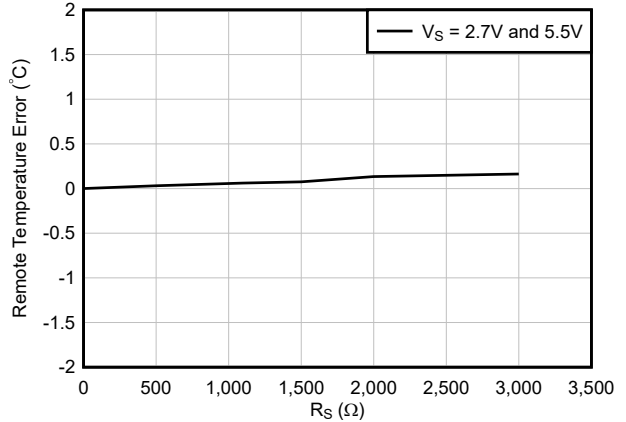


Figure 6-11. Remote Temperature Error vs Series Resistance (GND Collector-Connected Transistor, 2N3906 PNP) (New Chip)

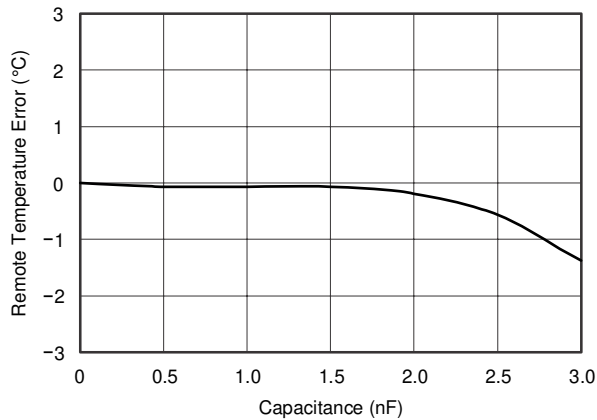


Figure 6-12. Remote Temperature Error vs Differential Capacitance (Legacy Chip)

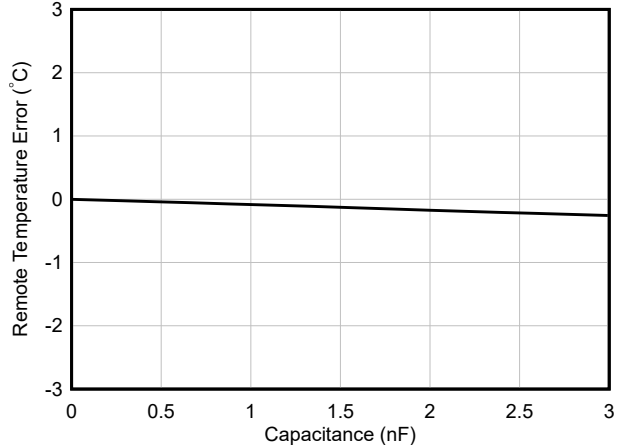


Figure 6-13. Remote Temperature Error vs Differential Capacitance (New Chip)

6.9 Typical Characteristics (TMP411) (continued)

At $T_A = 25^\circ\text{C}$ and $V_+ = V_S = 5\text{V}$ (unless otherwise noted)

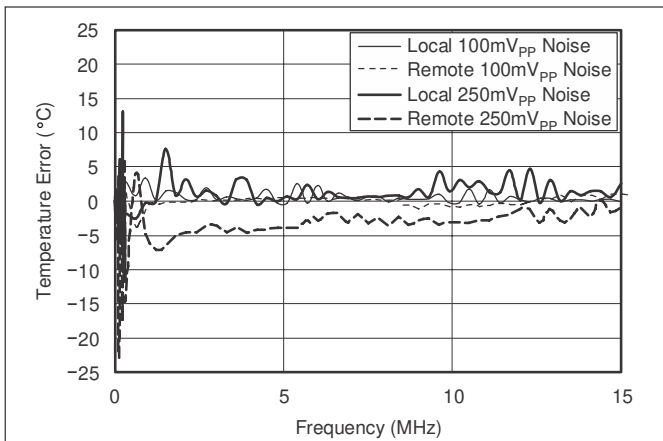


Figure 6-14. Temperature Error vs Power-Supply Noise Frequency (Legacy Chip)

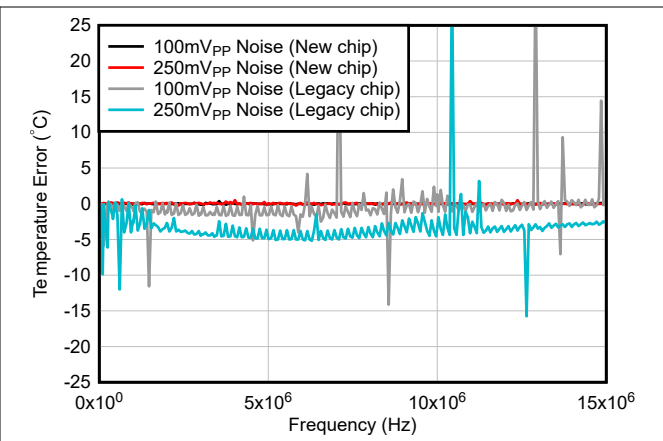


Figure 6-15. Remote Temperature Error vs Power-Supply Noise Frequency (Comparison of Legacy Chip and New Chip)

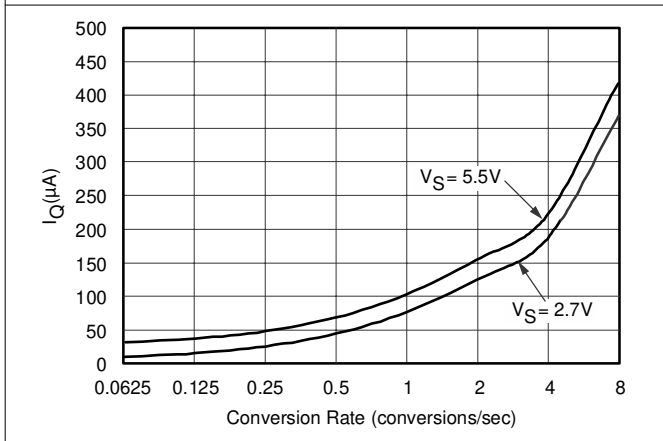


Figure 6-16. Quiescent Current vs Conversion Rate (Legacy Chip)

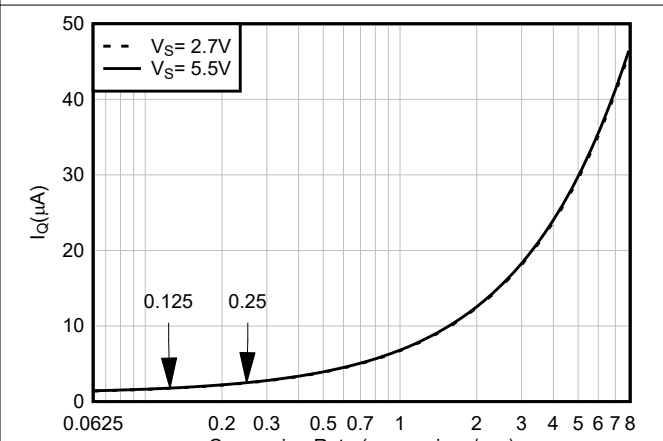


Figure 6-17. Quiescent Current vs Conversion Rate (New Chip)

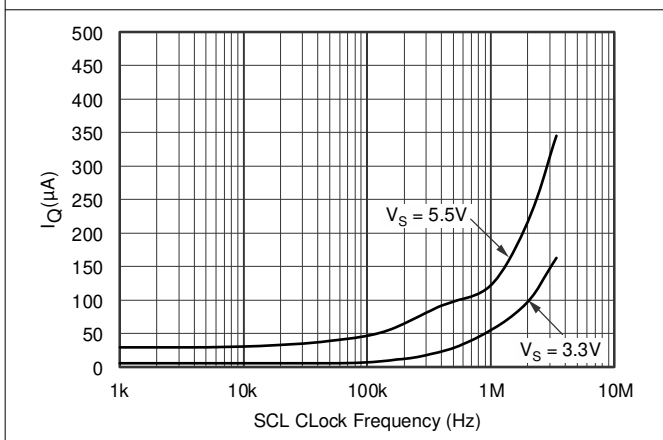


Figure 6-18. Shutdown Quiescent Current vs SCL Clock Frequency (Legacy Chip)

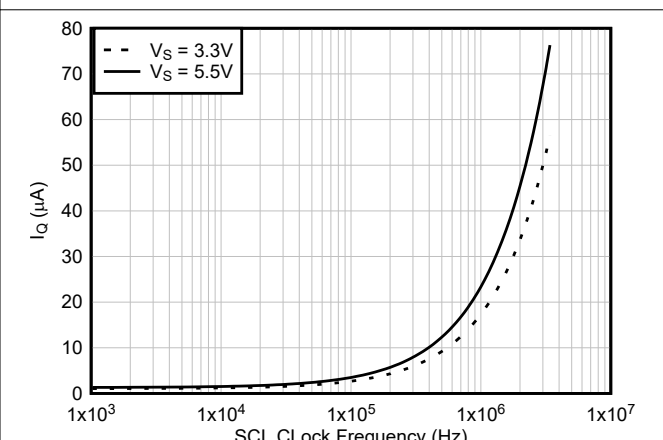


Figure 6-19. Shutdown Quiescent Current vs SCL Clock Frequency (New Chip)

6.9 Typical Characteristics (TMP411) (continued)

At $T_A = 25^\circ\text{C}$ and $V_+ = V_S = 5\text{V}$ (unless otherwise noted)

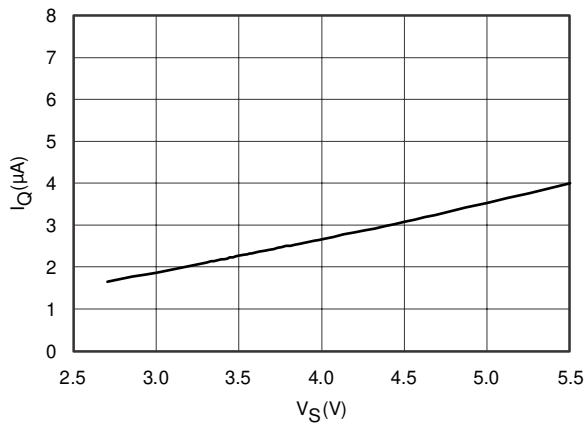


Figure 6-20. Shutdown Quiescent Current vs Supply Voltage (Legacy Chip)

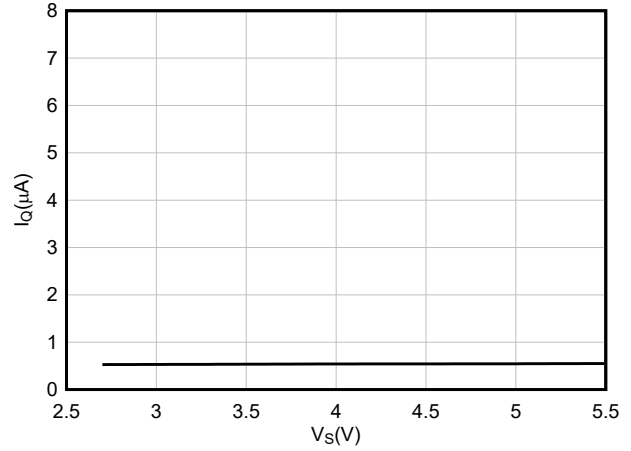


Figure 6-21. Shutdown Quiescent Current vs Supply Voltage (New Chip)

6.10 Typical Characteristics (TMP411D)

At $T_A = 25^\circ\text{C}$ and $V_+ = 3.3\text{V}$ (unless otherwise noted)

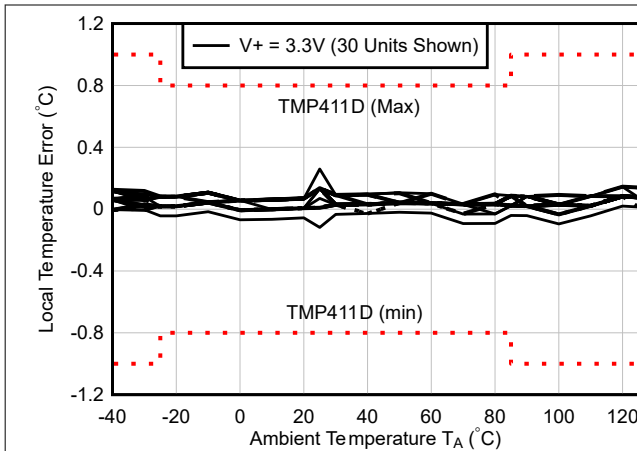


Figure 6-22. Local Temperature Error vs TMP411D Ambient Temperature

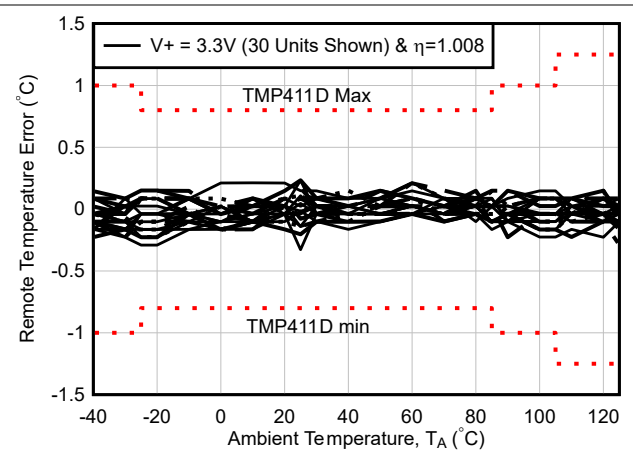


Figure 6-23. Remote Temperature Error vs TMP411D Ambient Temperature

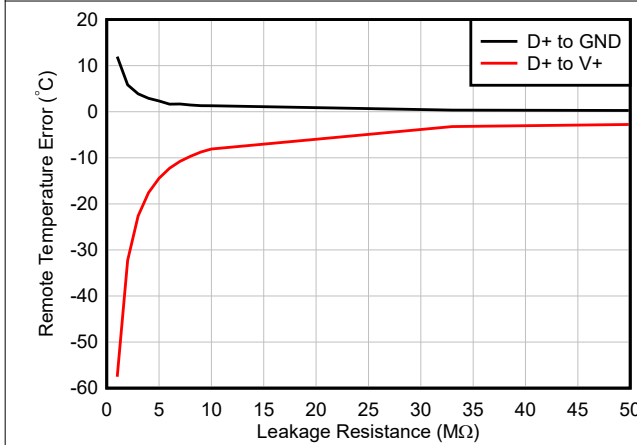


Figure 6-24. Remote Temperature Error vs Leakage Resistance

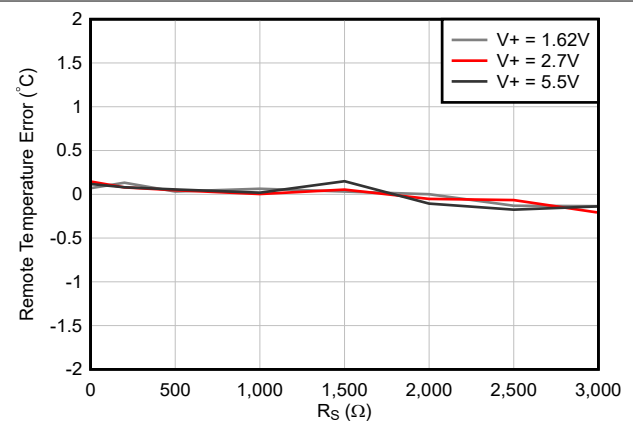


Figure 6-25. Remote Temperature Error vs Series Resistance (Diode-Connected Transistor, 2N3906 PNP)

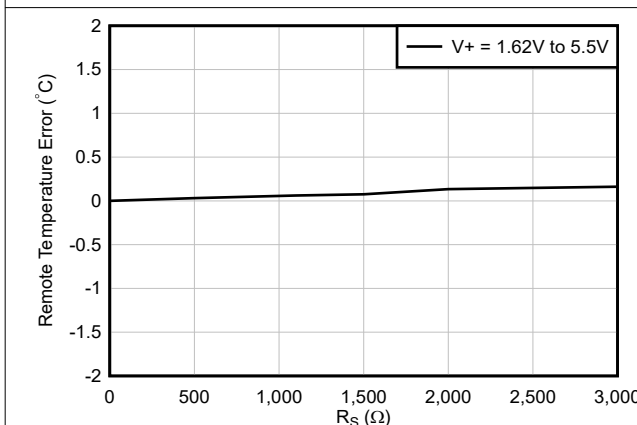


Figure 6-26. Remote Temperature Error vs Series Resistance (GND Collector-Connected Transistor, 2N3906 PNP)

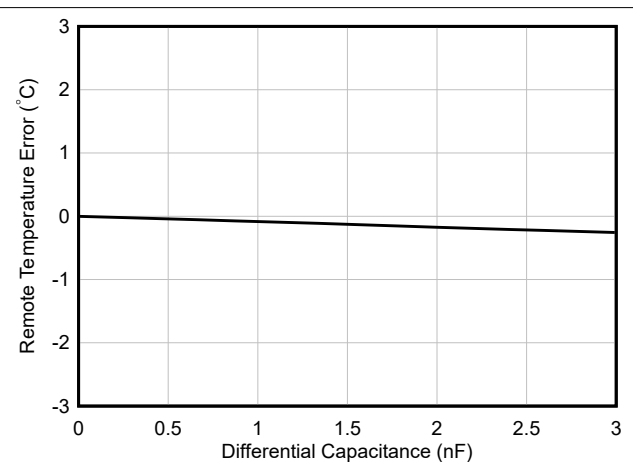
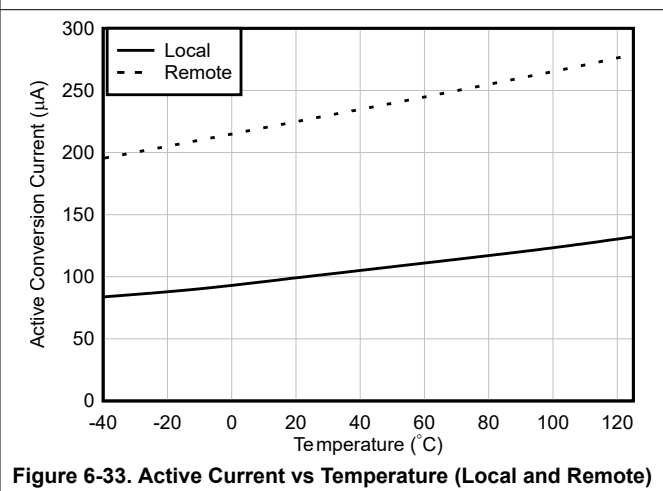
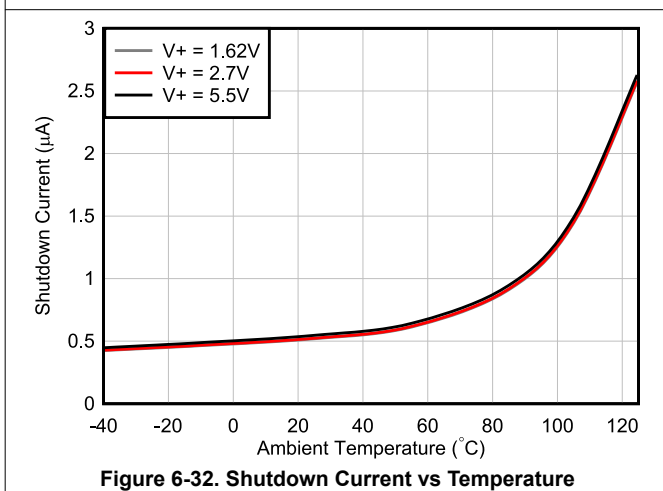
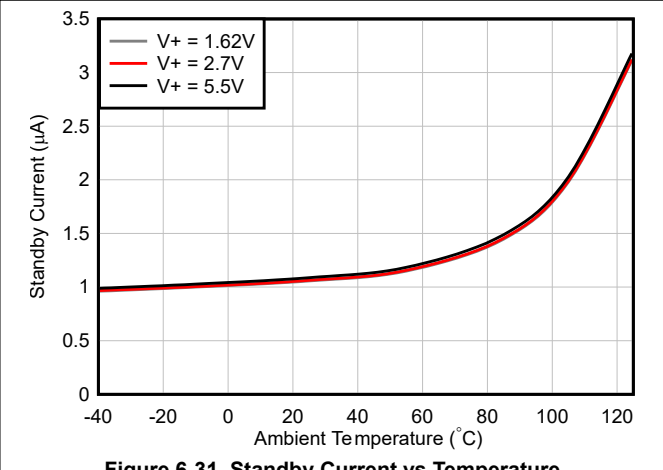
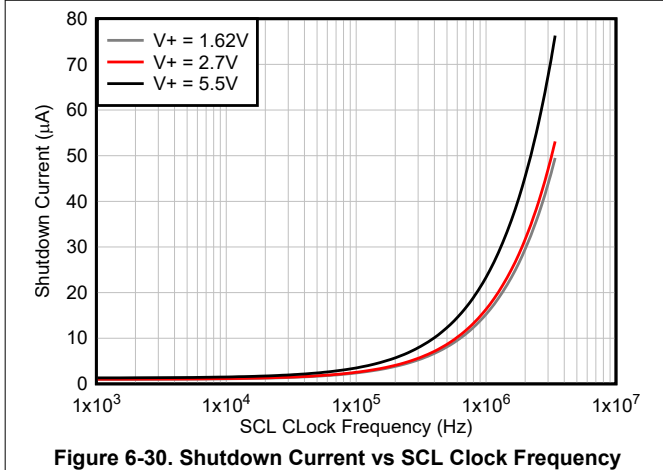
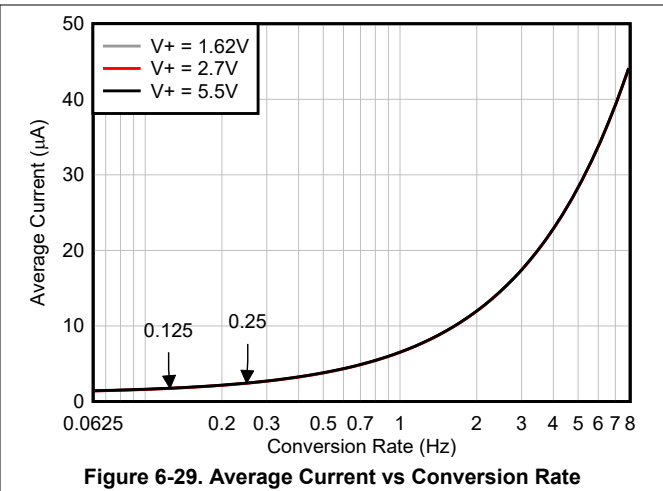
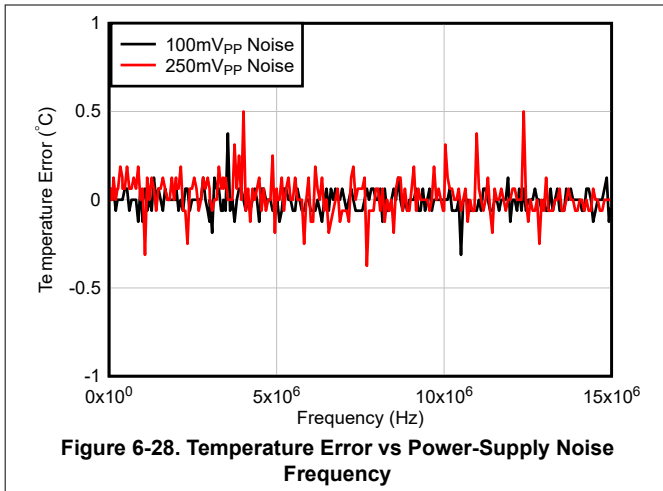


Figure 6-27. Remote Temperature Error vs Differential Capacitance

6.10 Typical Characteristics (TMP411D) (continued)

At $T_A = 25^\circ\text{C}$ and $V+ = 3.3\text{V}$ (unless otherwise noted)



6.10 Typical Characteristics (TMP411D) (continued)

At $T_A = 25^\circ\text{C}$ and $V_+ = 3.3\text{V}$ (unless otherwise noted)

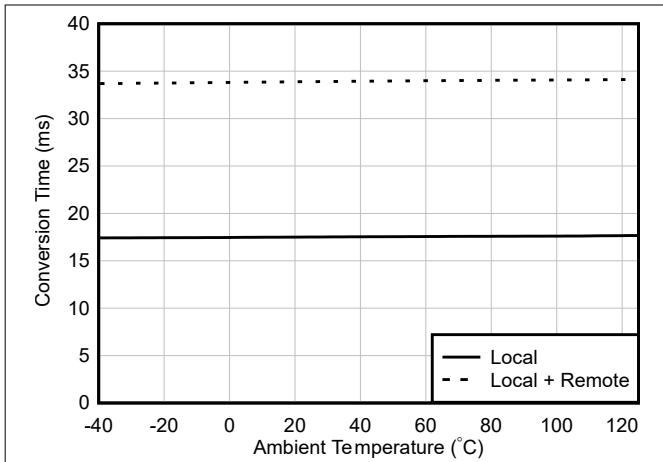


Figure 6-34. Conversion Time vs Temperature (Local and Local + Remote)

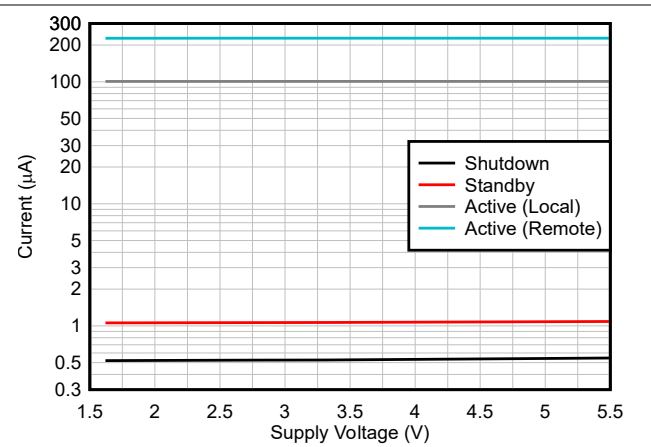


Figure 6-35. Shutdown, Standby, Active (Local) and Active (Remote) Currents vs Supply Voltage (Temperature at 25°C)

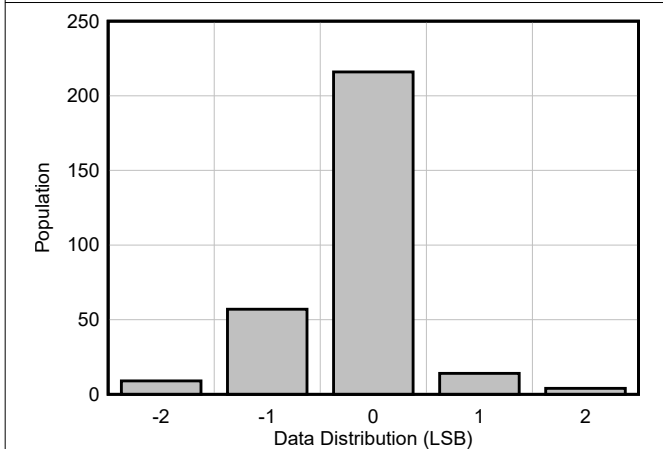


Figure 6-36. Remote Temperature Noise Data Distribution (300 Samples)

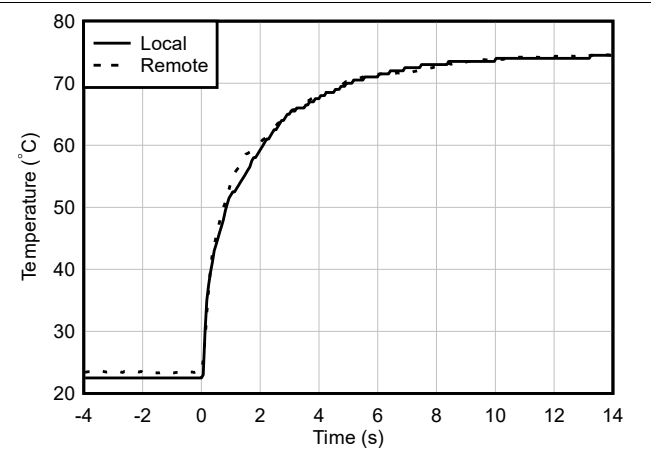


Figure 6-37. Temperature Response Time (Stirred Liquid, soldered device on 62mil 2-layer FR4 PCB)

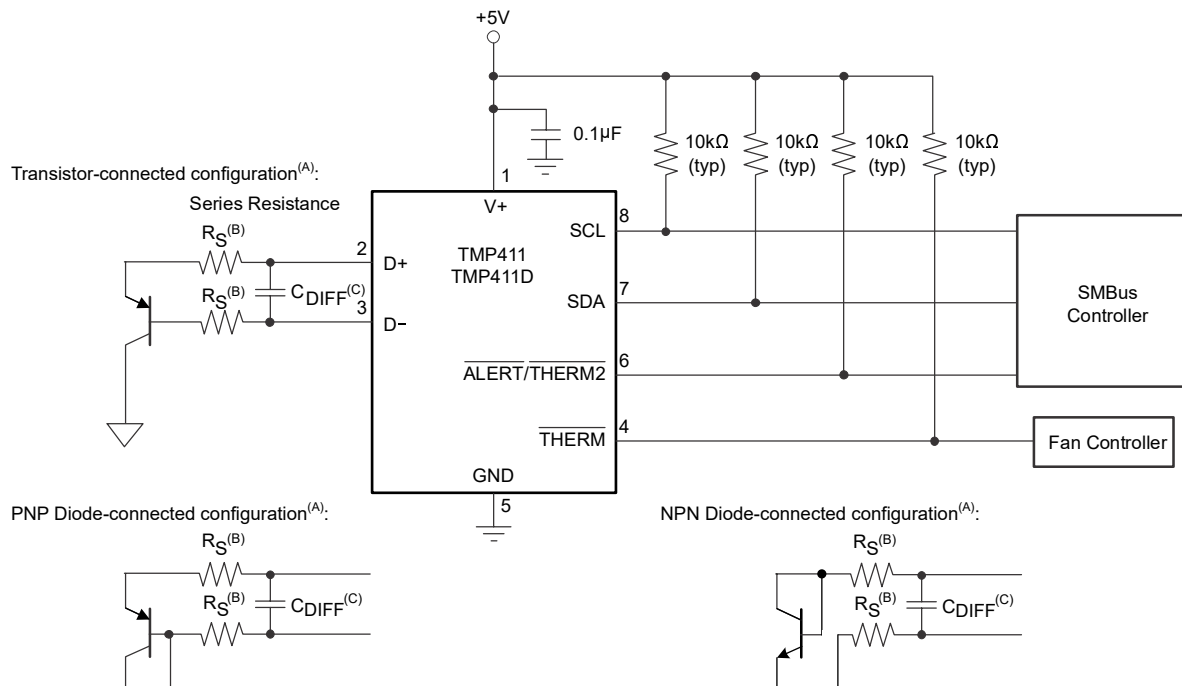
7 Detailed Description

7.1 Overview

The TMP411/TMP411D is a dual-channel digital temperature sensor that combines a local die-temperature measurement channel in a single VSSOP-8, SOIC-8 or SOT23-8 package. The TMP411/TMP411D is two-wire and SMBus interface-compatible and is specified over a temperature range of -40°C to 125°C . The TMP411/TMP411D device contains multiple registers for holding configuration information, temperature measurement results, temperature comparator maximum and minimum limits, and status information.

User-programmed high and low temperature limits stored in the TMP411/TMP411D triggers an overtemperature alarm ($\overline{\text{ALERT}}$) on local and remote temperatures. Additional thermal limits can be programmed into the TMP411/TMP411D and can trigger another flag ($\overline{\text{THERM}}$) that initiates a system response to rising temperatures.

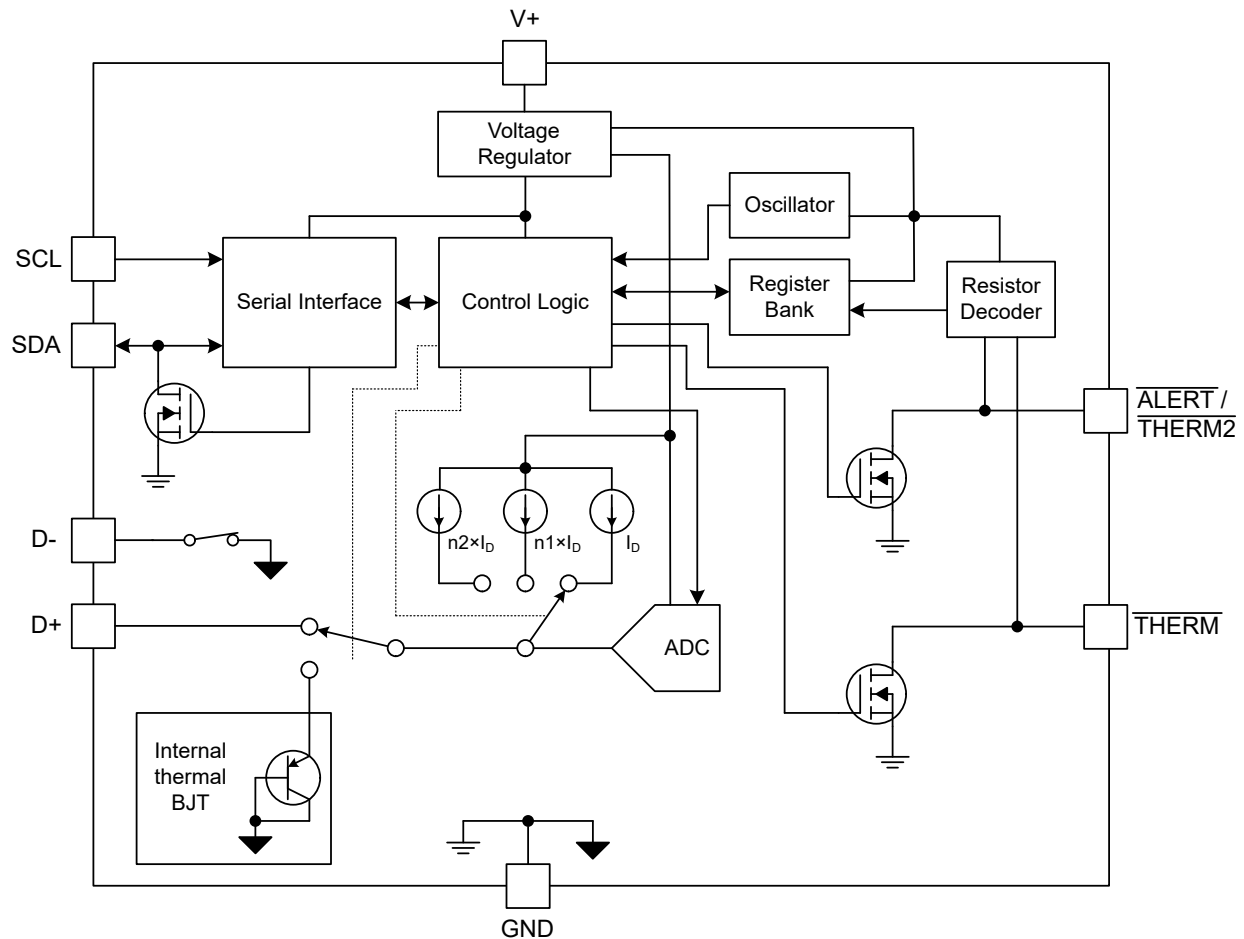
The TMP411/TMP411D requires only a transistor connected between D+ and D– for proper remote temperature sensing operation. The SCL and SDA interface pins require pullup resistors as part of the communication bus, while $\overline{\text{ALERT}}$ and $\overline{\text{THERM}}$ pins are open-drain outputs that require pullup resistors. $\overline{\text{ALERT}}$ and $\overline{\text{THERM}}$ pins can be shared with other devices for a wired-OR implementation, if desired. TI recommends using a $0.1\mu\text{F}$ power-supply bypass capacitor for good local bypassing. Figure 7-1 shows a typical configuration for the TMP411/TMP411D.



- A. Diode-connected configuration provides better settling time. Transistor-connected configuration provides better series resistance cancellation. NPN transistors must be diode-connected. PNP transistors can either be transistor or diode-connected. TI recommends this layout for the MMBT3906LP and MMBT3904LP devices.
- B. R_S (optional) must be $< 1.5\text{k}\Omega$ in most applications. Selection of R_S depends on specific applications; see the [Filtering](#) section.
- C. C_{DIFF} (optional) must be $< 1000\text{pF}$ in most applications. Selection of C_{DIFF} depends on specific application; see the [Filtering](#) section and [Figure 6-12](#) ([Figure 6-13](#) for new chip) and [Figure 6-27](#).

Figure 7-1. Basic Connections

7.2 Functional Block Diagram



7.3 Feature Description

7.3.1 Series Resistance Cancellation

Figure 7-1 shows series resistance in an application circuit that results from printed circuit board (PCB) trace resistance and remote line length. The TMP411/TMP411D automatically cancels the resistance, which prevents a temperature offset.

The TMP411/TMP411D device cancels up to 3kΩ of series line resistance that eliminates the need for additional characterization and temperature offset correction.

See Figure 6-8 (Figure 6-9 for new chip), Figure 6-10 (Figure 6-11 for new chip), Figure 6-25 and Figure 6-26 for details on the effect of series resistance and power-supply voltage on sensed remote temperature error.

7.3.2 Differential Input Capacitance

The TMP411/TMP411D tolerates differential input capacitance of up to 1000pF with minimal change in temperature error. The effect of capacitance on sensed remote temperature error is shown in Figure 6-12 (Figure 6-13 for new chip) and Figure 6-27.

7.3.3 Temperature Measurement Data

Temperature measurement data is taken over a default range of 0°C to 127°C for local and remote locations. Measurements from –55°C to 150°C can be made locally and remotely by reconfiguring the TMP411/TMP411D device for the extended temperature range. To change the TMP411/TMP411D configuration from the standard to the extended temperature range, switch bit 2 (RANGE) of the Configuration Register from low to high.

Temperature data resulting from conversions within the default measurement range are represented in binary form, as listed in the standard binary column of [Table 7-1](#). Note that any temperature below 0°C results in a data value of zero (00h). Likewise, temperatures above 127°C results in a value of 127 (7Fh). The device can be set to measure over an extended temperature range by changing bit 2 of the Configuration Register from low to high. The change in measurement range and data format from standard binary to extended binary occurs at the next temperature conversion. For data captured in the extended temperature range configuration, an offset of 64 (40h) is added to the standard binary value, as listed in the extended binary column in [Table 7-1](#). This configuration allows measurement of temperatures below 0°C. Having binary values in the range of –64°C to 191°C is possible, but most temperature-sensing diodes measure in the range of –55°C to 150°C. The TMP411/TMP411D device is rated only for ambient local temperatures ranging from –40°C to 125°C. Parameters in the [Absolute Maximum Ratings](#) table must be observed.

Table 7-1. Temperature Data Format (Local and Remote Temperature High Bytes)

TEMP (°C)	LOCAL AND REMOTE TEMPERATURE REGISTER HIGH BYTE VALUE (1°C RESOLUTION)			
	STANDARD BINARY		EXTENDED BINARY	
	BINARY	HEX	BINARY	HEX
–64	0000 0000	00	0000 0000	00
–50	0000 0000	00	0000 1110	0E
–25	0000 0000	00	0010 0111	27
0	0000 0000	00	0100 0000	40
1	0000 0001	01	0100 0001	41
5	0000 0101	05	0100 0101	45
10	0000 1010	0A	0100 1010	4A
25	0001 1001	19	0101 1001	59
50	0011 0010	32	0111 0010	72
75	0100 1011	4B	1000 1011	8B
100	0110 0100	64	1010 0100	A4
125	0111 1101	7D	1011 1101	BD
127	0111 1101	7F	1011 1111	BF
150	0111 1111	7F	1101 0110	D6
175	0111 1111	7F	1110 1111	EF
191	0111 1111	7F	1111 1111	FF

TMP411/TMP411D temperature sensor does not utilize 2's complement format to read in temperature values. For this reason, the decode does not cast them into a signed type. The way that TMP411/TMP411D device expresses a negative temperature is by enabling a RANGE bit which adds 64°C to the result. When RANGE is enabled, the decode must subtract 64, causing a raw value of 0 to become –64°C output.

Table 7-2. 12-Bit Q4 Parameters

PARAMETER	VALUE
Bits	12
Q	4
Resolution	0.0625
Range (+)	127.9375
Range (–)	0
First Byte Integer C	Yes
25°C	0x1900

Table 7-3. 12-Bit Q4 Bit Values in °C

15	14	13	12	11	10	9	8	7	6	5	4	3	2	1	0
-	64	32	16	8	4	2	1	0.5	0.25	0.125	0.0625	-	-	-	-
-	64	32	16	8	4	2	1	1/2	1/4	1/8	1/16	-	-	-	-
-	2 ⁶	2 ⁵	2 ⁴	2 ³	2 ²	2 ¹	2 ⁰	2 ⁻¹	2 ⁻²	2 ⁻³	2 ⁻⁴	-	-	-	-

```

/* 12-bit format will have 4 bits discarded by right shift
q4 is 0.062500 resolution
the following bytes represent 24.5c
there is no cast into signed type */
uint8_t byte1 = 0x18;
uint8_t byte2 = 0x80;
float f = ((byte1 << 8 | byte2) >> 4) * 0.0625f;
int mC = ((byte1 << 8 | byte2) >> 4) * 1000 >> 4;
int c = byte1;
    
```

Note

Whenever changing between standard and extended temperature ranges, be aware that the temperatures stored in the temperature limit registers are NOT automatically reformatted to correspond to the new temperature range format. These temperature limit values must be reprogrammed in the appropriate binary or extended binary format.

Local and remote temperature data uses two bytes for data storage. The high byte stores the temperature with a resolution of 1°C. The second or low byte stores the decimal fraction value of the temperature and allows a higher measurement resolution, as listed in Table 7-4. The measurement resolution for the remote channel is 0.0625°C, and is not adjustable. The measurement resolution for the local channel is adjustable, and can be set for either 0.5°C, 0.25°C, 0.125°C, or 0.0625°C by setting the RES1 and RES0 bits listed in Table 8-4.

Table 7-4. Decimal Fraction Temperature Data Format (Local and Remote Temperature Low Bytes)

TEMP (°C)	REMOTE TEMPERATURE REGISTER LOW BYTE VALUE		LOCAL TEMPERATURE REGISTER LOW BYTE VALUE							
	0.0625°C RESOLUTION		0.5°C RESOLUTION		0.25°C RESOLUTION		0.125°C RESOLUTION		0.0625°C RESOLUTION	
	STANDARD AND EXTENDED BINARY	HEX	STANDARD AND EXTENDED BINARY	HEX	STANDARD AND EXTENDED BINARY	HEX	STANDARD AND EXTENDED BINARY	HEX	STANDARD AND EXTENDED BINARY	HEX
0.0000	0000 0000	00	0000 0000	00	0000 0000	00	0000 0000	00	0000 0000	00
0.0625	0001 0000	10	0000 0000	00	0000 0000	00	0000 0000	00	0001 0000	10
0.1250	0010 0000	20	0000 0000	00	0000 0000	00	0010 0000	20	0010 0000	20
0.1875	0011 0000	30	0000 0000	00	0000 0000	00	0010 0000	20	0011 0000	30
0.2500	0100 0000	40	0000 0000	00	0100 0000	40	0100 0000	40	0100 0000	40
0.3125	0101 0000	50	0000 0000	00	0100 0000	40	0100 0000	40	0101 0000	50
0.3750	0110 0000	60	0000 0000	00	0100 0000	40	0110 0000	60	0110 0000	60
0.4375	0111 0000	70	0000 0000	00	0100 0000	40	0110 0000	60	0111 0000	70
0.5000	1000 0000	80	1000 0000	80	1000 0000	80	1000 0000	80	1000 0000	80
0.5625	1001 0000	90	1000 0000	80	1000 0000	80	1000 0000	80	1001 0000	90
0.6250	1010 0000	A0	1000 0000	80	1000 0000	80	1010 0000	A0	1010 0000	A0
0.6875	1011 0000	B0	1000 0000	80	1000 0000	80	1010 0000	A0	1011 0000	B0
0.7500	1100 0000	C0	1000 0000	80	1100 0000	C0	1100 0000	C0	1100 0000	C0
0.8125	1101 0000	D0	1000 0000	80	1100 0000	C0	1100 0000	C0	1101 0000	D0
0.8750	1110 0000	E0	1000 0000	80	1100 0000	C0	1110 0000	E0	1110 0000	E0
0.9375	1111 0000	F0	1000 0000	80	1100 0000	C0	1110 0000	E0	1111 0000	F0

7.3.4 $\overline{\text{THERM}}$ (Pin 4) and $\overline{\text{ALERT/THERM2}}$ (Pin 6)

The $\overline{\text{THERM}}$ and $\overline{\text{ALERT/THERM2}}$ pins on the TMP411/TMP411D device are dedicated to alarm functions. The pins are open-drain outputs that each require a pullup resistor to V+. These pins can be wire-ORed together with other alarm pins for system monitoring of multiple sensors. The $\overline{\text{THERM}}$ pin provides a thermal interrupt that cannot be software disabled. The $\overline{\text{ALERT}}$ pin is an earlier warning interrupt, and can be software disabled or masked. The $\overline{\text{ALERT/THERM2}}$ pin can be configured as a $\overline{\text{THERM2}}$ pin, which is a second $\overline{\text{THERM}}$ pin (Configuration Register: AL or TH bit = 1). The default setting configures pin 6 to function as an $\overline{\text{ALERT}}$ pin (AL or TH = 0).

The $\overline{\text{THERM}}$ pin asserts low when the measured local or remote temperature is outside of the temperature range programmed in the corresponding Local and Remote THERM Limit Register. The THERM temperature limit range can be programmed with a wider range than that of the limit registers, which allows the $\overline{\text{ALERT}}$ pin to provide an earlier warning than the $\overline{\text{THERM}}$ pin. The $\overline{\text{THERM}}$ alarm resets automatically when the measured temperature falls within the $\overline{\text{THERM}}$ temperature limit range minus the hysteresis value stored in the $\overline{\text{THERM}}$ Hysteresis Register. The permitted hysteresis values are listed in [Table 8-8](#). The default hysteresis is 10°C. When the $\overline{\text{ALERT/THERM2}}$ pin is configured as a second thermal alarm (Configuration Register: bit 7 = 0, bit 5 = 1), the pin functions the same as the $\overline{\text{THERM}}$ pin, but uses the temperatures stored in the Local and Remote Temperature High and Low Limit Registers to set the comparison range.

When $\overline{\text{ALERT/THERM2}}$ (pin 6) is configured as an $\overline{\text{ALERT}}$ pin, (Configuration Register: bit 7 = 0, bit 5 = 0), the pin asserts low when the measured local or remote temperature violates the range limit set by the corresponding Local and Remote Temperature High and Low Limit Registers. The alert function configures to assert only if the range is violated a specified number of consecutive times (either one, two, three or four times). The consecutive violation limit is set in the Consecutive Alert Register. Required consecutive faults prevent false alerts that are caused by environmental noise. The $\overline{\text{ALERT}}$ pin asserts low if the remote temperature sensor is open-circuit. When the MASK function is enabled (Configuration Register: bit 7 = 1), the $\overline{\text{ALERT}}$ pin is disabled (that is, masked). The $\overline{\text{ALERT}}$ pin resets when the controller reads the device address, as long as the condition that caused the alert no longer persists, and the Status Register is reset.

7.3.5 Sensor Fault

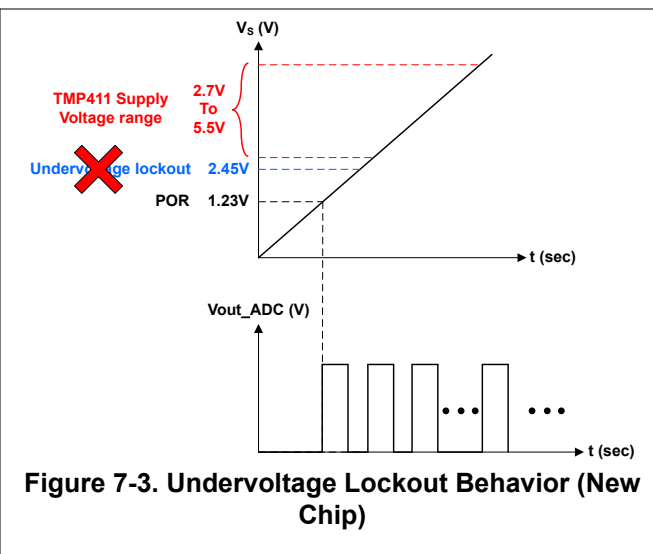
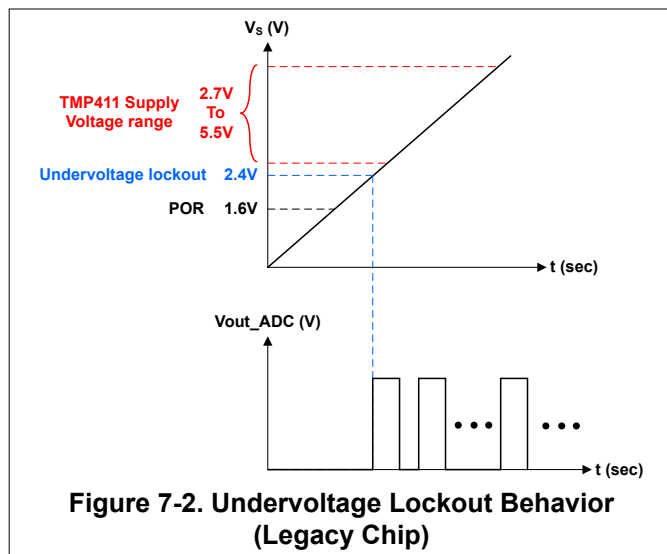
The TMP411/TMP411D senses a fault at the D+ input resulting from an incorrect diode connection or an open circuit. The detection circuitry consists of a voltage comparator that trips when the voltage at D+ exceeds (V+ – 0.6V (typical)). The comparator output is checked during a conversion. If a fault is detected, the last valid measured temperature is the temperature measurement result, the OPEN bit (Status Register, bit 2) is set high, and the $\overline{\text{ALERT}}$ pin asserts low if the alert function is enabled.

The D+ and D– inputs must be connected together to prevent meaningless fault warnings when the TMP411/TMP411D remote sensor is not in use.

7.3.6 Undervoltage Lockout (TMP411 Only)

Legacy Chip: The TMP411 senses when the power-supply voltage reaches a minimum voltage level for the ADC converter to function as shown in [Figure 7-2](#). The detection circuitry consists of a voltage comparator that enables the ADC converter after the power supply (V+) exceeds 2.45V (typical). The comparator output is checked during a conversion. The TMP411 does not perform a temperature conversion if the power supply is not valid. The last valid measured temperature is remained as the temperature measurement result. Note that the device can still communicate with the Host when the power supply value is between Power-on-reset (POR) and Undervoltage Lockout voltages.

New Chip: This behavior is combined with Power-on-reset (POR) and the user must consider POR instead of Undervoltage lockout. The new chip can both communicate with the Host and do temperature conversion when the power supply value is above POR voltage as shown in [Figure 7-3](#). In addition, when there is no remote diode connected, the first remote conversion must be ignored with the power supply ramp rate less than 240V/s.



7.3.7 Filtering

Remote junction temperature sensors are typically implemented in a noisy environment. Noise is often created by fast digital signals that corrupt measurements. The TMP411/TMP411D has a built-in 65kHz filter on the D+ and D- inputs to minimize the effects of noise. TI recommends placing a bypass capacitor differentially across the sensor inputs to protect the application against unwanted coupled signals. The value of the capacitor must be between 100pF and 1nF. Some applications have better overall accuracy with additional series resistance, however, this increased accuracy is specific to the setup. When series resistance is added, the value must not be greater than 3k Ω .

If filtering is needed, TI recommends component values of 100pF and 50 Ω on each input. Exact values are specific to the application.

7.4 Device Functional Modes

7.4.1 Shutdown Mode (SD)

The TMP411/TMP411D shutdown mode saves maximum power by shutting down all device circuitry other than the serial interface, which reduces current consumption to typically less than 3 μ A (0.6 μ A for TMP411 new chip and TMP411D); see [Figure 6-20](#) ([Figure 6-21](#) for new chip). Shutdown mode is enabled when the shutdown bit (SD) of the Configuration Register is configured 1'b. Once programmed, the device enters the shutdown mode immediately and stops any current temperature conversion. If the shutdown mode is entered during local temperature conversion, no update to local/remote temperature result occurs. If the shutdown mode is entered during remote temperature conversion, no update to the remote temperature result occurs, but the local temperature result is updated since the local temperature conversion is already completed. When the shutdown bit (SD) is configured to 0'b, the device remains in continuous conversion state.

7.4.2 One-Shot Conversion

When the TMP411/TMP411D is in shutdown mode (SD = 1 in the Configuration Register), a single conversion on both channels starts by writing any value to the One-Shot Start Register (pointer address 0Fh). This write operation starts one conversion, and the TMP411/TMP411D device returns to shutdown mode when the conversion is complete. The value of the data sent in the write command is irrelevant, and is not stored by the TMP411/TMP411D. When the TMP411/TMP411D is in shutdown mode, an initial 200 μ s is required before a one-shot command is given.

Note

When a shutdown command is issued, the TMP411/TMP411D device completes the current conversion before shutting down. The wait time only applies to the 200 μ s immediately following shutdown. One-shot commands can be issued without delay thereafter.

7.5 Programming

7.5.1 Serial Interface

The TMP411/TMP411D operates only as a target device on either the two-wire bus or the SMBus. Connections to either bus are made through the SDA and SCL open-drain I/O lines. The SDA and SCL pins feature integrated spike suppression filters and Schmitt triggers that minimize the effects of input spikes and bus noise. The TMP411/TMP411D supports the transmission protocol for fast (1kHz to 400kHz) and high-speed (1kHz to 3.4MHz) modes. All data bytes are transmitted with the MSB first.

7.5.2 Bus Overview

The TMP411/TMP411D is SMBus interface-compatible. In SMBus protocol, the device that initiates the transfer is a controller, and the controller controls devices known as targets. The bus must be controlled by a controller device that generates the serial clock (SCL), controls the bus access, and generates the START and STOP conditions.

To address a specific device, a START condition is initiated. START is indicated by pulling the data line (SDA) from a high to low logic level while the SCL line is high. All targets on the bus shift are in the target address byte, with the last bit indicating if a read or write operation is needed. During the ninth clock pulse, the target that is addressed responds to the controller by generating an acknowledge bit and pulling the SDA line low.

Data transfer is then initiated and sent over eight clock pulses followed by an acknowledge bit. During data transfer, the SDA line must remain stable while the SCL is high. A change in the SDA while the SCL is high is interpreted as a control signal.

Once all data transfers, the controller generates a STOP condition. STOP is indicated by pulling the SDA line from low to high, while the SCL line is high.

7.5.3 Timing Diagrams

The TMP411/TMP411D is two-wire and SMBus-compatible. [Figure 7-4](#) to [Figure 7-7](#) describe the various operations on the TMP411/TMP411D. Bus definitions are given below:

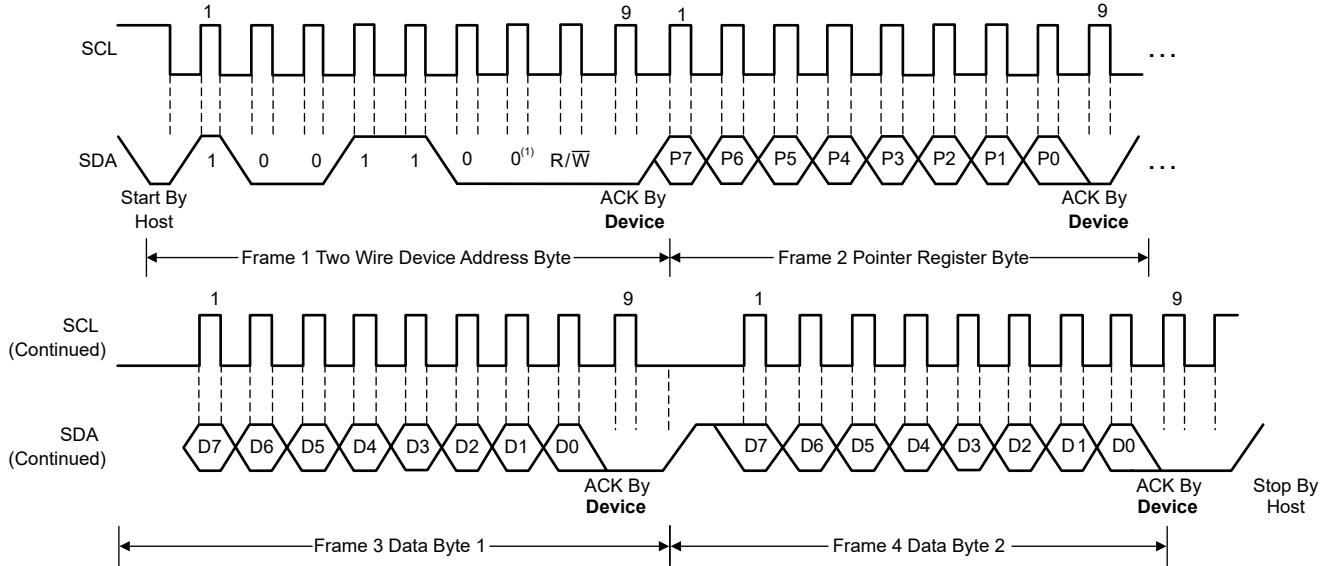
Bus Idle: Both SDA and SCL lines remain high.

Start Data Transfer: A change in the state of the SDA line, from high to low (while the SCL line is high) defines a START condition. A START condition initiates each data transfer.

Stop Data Transfer: A change in the state of the SDA line from low to high (while the SCL line is high) defines a STOP condition. A STOP or repeated START condition terminates each data transfer.

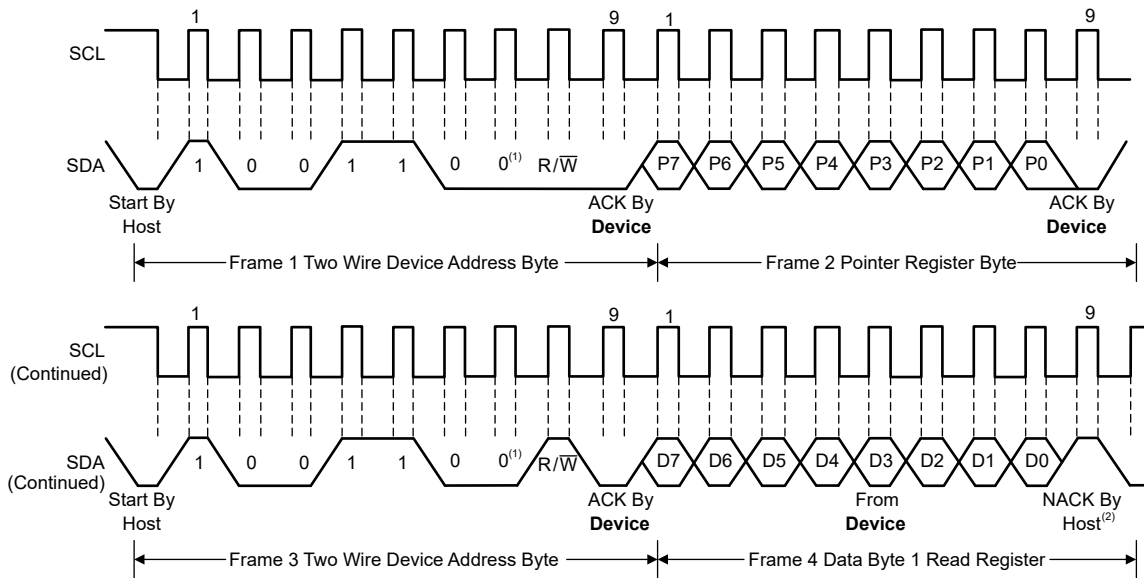
Data Transfer: The number of data bytes transferred between a START and a STOP condition is not limited and is determined by the controller device. The receiver acknowledges the data transfer.

Acknowledge: Each receiving device (when addressed) is required to generate an acknowledge bit. A device that acknowledges must pull the SDA line down during the acknowledge clock pulse so the SDA line is stable and low during the high period of the acknowledge clock pulse. Setup and hold times must be taken into account. On a controller receive, the controller signals data transfer termination by generating a not-acknowledge bit transmitted by the controller.



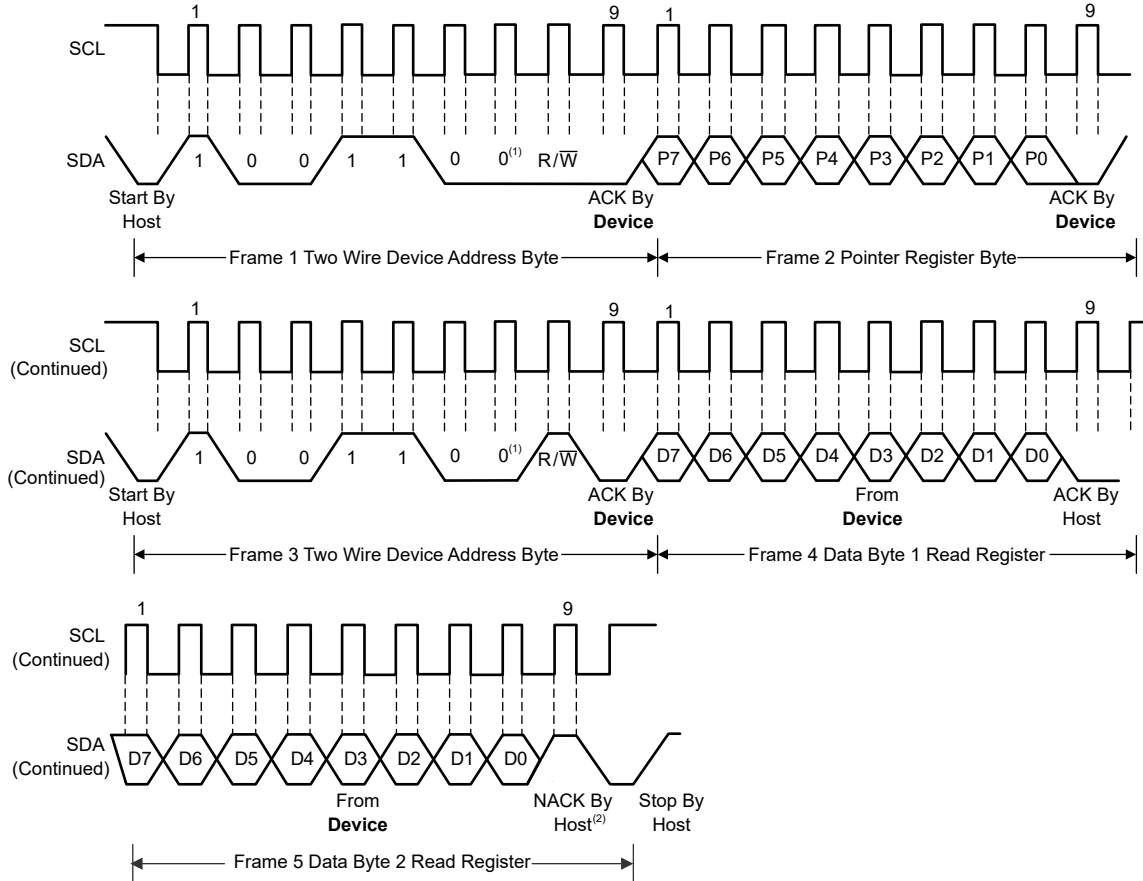
A. Target address 1001100 (TMP411A/TMP411DA) shown. Target address changes for TMP411B/TMP411DB and TMP411C/TMP411DC. See *Ordering Information* table for more details.

Figure 7-4. Two-Wire Timing Diagram for Write Word Format



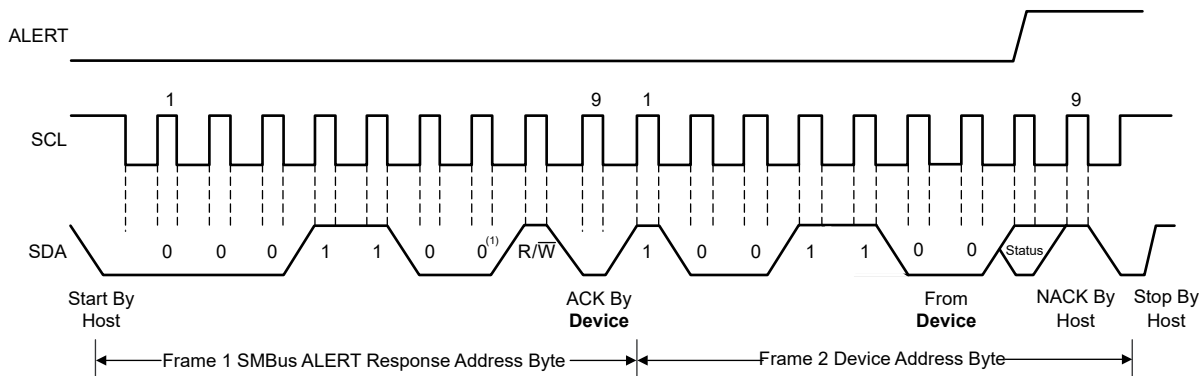
A. Target address 1001100 (TMP411A/TMP411DA) shown. Target address changes for TMP411B/TMP411DB and TMP411C/TMP411DC. See *Ordering Information* table for more details.
 B. Host must leave the SDA high to terminate a single-byte read operation.

Figure 7-5. Two-Wire Timing Diagram for Single-Byte Read Format



- A. Target address 1001100 (TMP411A/TMP411DA) is shown. Target address changes for TMP411B/TMP411DB and TMP411C/TMP411DC. See Ordering Information table for more details.
- B. Host must leave SDA high to terminate a two-byte read operation.

Figure 7-6. Two-Wire Timing Diagram for Two-Byte Read Format



- A. Target address 1001100 (TMP411A/TMP411DA) is shown. Target address changes for TMP411B/TMP411DB and TMP411C/TMP411DC. See Ordering Information table for more details.

Figure 7-7. Timing Diagram for SMBus Alert

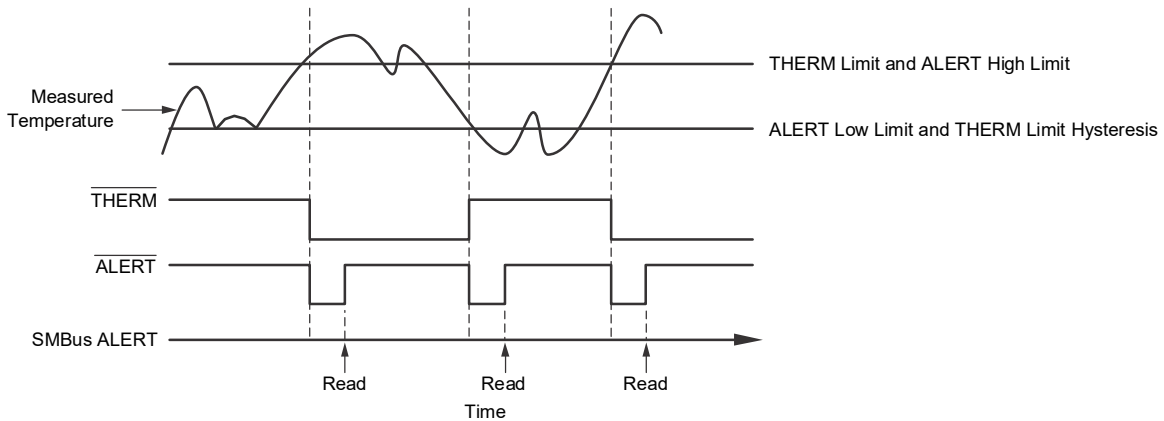


Figure 7-8. SMBus Alert Timing Diagram

7.5.4 Serial Bus Address

To communicate with the TMP411/TMP411D, the controller must first address target devices through a target address byte. The target address byte consists of seven address bits and a direction bit that indicates whether the operation is read or write. The address of the TMP411A/TMP411DA is 4Ch (1001100b). The address of the TMP411B/TMP411DB is 4Dh (1001101b). The address of the TMP411E/TMP411DE is 4Ch (1001100b).

Table 7-5. TMP411/TMP411D Device Address Options

DEVICE NAME	PART NUMBER	I ² C BINARY ADDRESS	I ² C HEX ADDRESS	OFFSET REGISTERS
TMP411 (DGK and D packages)	TMP411ADGKR TMP411ADR	100 1100b	4Ch	No
	TMP411BDGKR TMP411BDR	100 1101b	4Dh	No
	TMP411CDGKR TMP411CDR	100 1110b	4Eh	No
	TMP411EDGKR	100 1100b	4Ch	Yes
TMP411D (DDF package)	TMP411DADDFR	100 1100b	4Ch	No
	TMP411DBDDFR	100 1101b	4Dh	No
	TMP411DCDDFR	100 1110b	4Eh	No
	TMP411DEDDFR	100 1100b	4Ch	Yes

7.5.5 Read and Write Operations

To access a particular register on the TMP411/TMP411D, the appropriate value must be written to the Pointer Register. With the read and write bit low, the value for the Pointer Register is the first byte transferred after the target address byte. Every write operation to the TMP411/TMP411D requires a value for the Pointer Register, as shown in [Figure 7-4](#).

When reading from the TMP411/TMP411D, the last value stored in the Pointer Register by a write operation determines which register is read by a read operation. A new value must be written to the Pointer Register to change the register pointer for a read operation. This transaction is accomplished by issuing a target address byte with the read and write bit low, followed by the Pointer Register byte. No additional data is required. The controller then generates a START condition and sends the target address byte with the read and write bit high to initiate the read command. See [Figure 7-5](#) for details of this sequence. Continually sending the Pointer Register bytes is not necessary if repeated reads from the same register are desired, because the TMP411/TMP411D device retains the Pointer Register value until the next write operation changes the value. Note that the MSB sends the register bytes first, followed by the LSB.

7.5.6 Timeout Function

When bit 7 of the Consecutive Alert Register is set high, the TMP411/TMP411D timeout function is enabled. The TMP411/TMP411D device resets the serial interface if the SCL or SDA lines are held low for 30ms (typical) between a START and STOP condition. If the TMP411/TMP411D device is holding the bus low, the device releases the bus and waits for a START condition. Maintaining a communication speed of at least 1kHz for the SCL operating frequency is necessary to avoid activating the timeout function. The default state of the timeout function is enabled (bit 7 = high).

7.5.7 High-Speed Mode

For the two-wire bus to operate at frequencies above 400kHz, the controller device must issue a high-speed mode (Hs-mode) controller code (00001XXX) as the first byte after a START condition to switch the bus to high-speed operation. The TMP411/TMP411D device does not acknowledge this byte, but switches the input filters on the SDA and SCL lines, switches the output filter on SDA to operate in Hs-mode, which allows transfers at up to 3.4MHz. After the Hs-mode controller code is issued, the controller transmits a two-wire target address to initiate a data transfer operation. The bus operates in high-speed mode until a STOP condition occurs on the bus. The TMP411/TMP411D switches the input and output filter after receiving the STOP condition.

7.5.8 General Call Reset

The TMP411/TMP411D device supports reset through the two-wire general call address 00h (0000 0000b). The TMP411/TMP411D device reads the general call address and responds to the second byte. If the second byte is 06h (0000 0110b), the TMP411/TMP411D executes a software reset. The software reset restores the power-on-reset state to all TMP411/TMP411D registers, aborts any conversion in progress, and clears the $\overline{\text{ALERT}}$ and $\overline{\text{THERM}}$ pins. The TMP411/TMP411D does not respond to other values in the second byte.

7.5.9 Software Reset

The TMP411/TMP411D resets by writing any value to Pointer Register FCh. This restores the power-on-reset state to all of the TMP411/TMP411D registers, aborts any conversion in process, and clears the $\overline{\text{ALERT}}$ and $\overline{\text{THERM}}$ pins.

7.5.10 SMBus Alert Function

The TMP411/TMP411D device supports the SMBus alert function. When pin 6 is configured as an alert output, the $\overline{\text{ALERT}}$ pin of the TMP411/TMP411D can connect as an SMBus alert signal. When a controller detects an alert condition on the ALERT line, the controller sends an SMBus alert command (00011001) on the bus. If the $\overline{\text{ALERT}}$ pin of the TMP411/TMP411D is active, the device acknowledges the SMBus alert command and returns the target address on the SDA line. The eighth bit of the target address byte indicates if the high limit or low limit temperature settings caused the alert condition. The bit is high if the temperature is greater than one of the temperature high limit settings; the bit is low if the temperature is less than or equal to one of the temperature low limit settings. See [Figure 7-8](#) for details of this sequence.

If multiple devices on the bus respond to the SMBus alert command, arbitration during the target address portion of the SMBus alert command determines which device clears the alert status. If the TMP411/TMP411D wins the arbitration, the $\overline{\text{ALERT}}$ pin inactivates when the SMBus alert command is complete. If the TMP411/TMP411D device loses the arbitration, the $\overline{\text{ALERT}}$ pin remains active.

8 Register Map

Table 8-1. Register Map Summary

POINTER ADDRESS (HEX)		POWER-ON-RESET (HEX)	BIT DESCRIPTION								REGISTER DESCRIPTIONS
READ	WRITE		D7	D6	D5	D4	D3	D2	D1	D0	
00	NA ⁽¹⁾	00	LT11	LT10	LT9	LT8	LT7	LT6	LT5	LT4	Local Temperature (High Byte)
01	NA	00	RT11	RT10	RT9	RT8	RT7	RT6	RT5	RT4	Remote Temperature (High Byte)
02	NA	XX	BUSY	LHIGH	LLOW	RHIGH	RLOW	OPEN	RTHRM	LTHRM	Status Register
03	09	00	MASK1	SD	AL/TH	0	0	RANGE	0	0	Configuration Register
04	0A	08	0	0	0	0	R3	R2	R1	R0	Conversion Rate Register
05	0B	55	LTH11	LTH10	LTH9	LTH8	LTH7	LTH6	LTH5	LTH4	Local Temperature High Limit (High Byte)
06	0C	00	LTL11	LTL10	LTL9	LTL8	LTL7	LTL6	LTL5	LTL4	Local Temperature Low Limit (High Byte)
07	0D	55	RTH11	RTH10	RTH9	RTH8	RTH7	RTH6	RTH5	RTH4	Remote Temperature High Limit (High Byte)
08	0E	00	RTL11	RTL10	RTL9	RTL8	RTL7	RTL6	RTL5	RTL4	Remote Temperature :Low Limit (High Byte)
NA	0F	XX	X ⁽²⁾	X	X	X	X	X	X	X	One-Shot Start
10	NA	00	RT3	RT2	RT1	RT0	0	0	0	0	Remote Temperature (Low Byte)
11	11	00	RTOS11	RTOS10	RTOS9	RTOS8	RTOS7	RTOS6	RTOS5	RTOS4	Remote Temperature Offset Register (High Byte) ⁽³⁾
12	12	00	RTOS3	RTOS2	RTOS1	RTOS0	0	0	0	0	Remote Temperature Offset Register (Low Byte) ⁽³⁾
13	13	00	RTH3	RTH2	RTH1	RTH0	0	0	0	0	Remote Temperature High Limit (Low Byte)
14	14	00	RTL3	RTL2	RTL1	RTL0	0	0	0	0	Remote Temperature Low Limit (Low Byte)
15	NA	00	LT3	LT2	LT1	LT0	0	0	0	0	Local Temperature (Low Byte)
16	16	00	LTH3	LTH2	LTH1	LTH0	0	0	0	0	Local Temperature High Limit (Low Byte)
17	17	00	LTL3	LTL2	LTL1	LTL0	0	0	0	0	Local Temperature Low Limit (Low Byte)
18	18	00	NC7	NC6	NC5	NC4	NC3	NC2	NC1	NC0	N-factor correction
19	19	55	RTHL11	RTHL10	RTHL9	RTHL8	RTHL7	RTHL6	RTHL5	RTHL4	Remote THERM Limit
1A	1A	1C	0	0	0	1	1	1	RES1	RES0	Resolution Register
20	20	55	LTHL11	LTHL10	LTHL9	LTHL8	LTHL7	LTHL6	LTHL5	LTHL4	Local THERM Limit
21	21	0A	TH11	TH10	TH9	TH8	TH7	TH6	TH5	TH4	THERM Hysteresis
22	22	81	TO_EN	0	0	0	C2	C1	C0	1	Consecutive Alert Register
30	30	FF	LMT11	LMT10	LMT9	LMT8	LMT7	LMT6	LMT5	LMT4	Local Temperature Minimum (High Byte)
31	31	F0	LMT3	LMT2	LMT1	LMT0	0	0	0	0	Local Temperature Minimum (Low Byte)
32	32	00	LXT11	LXT10	LXT9	LXT8	LXT7	LXT6	LXT5	LXT4	Local Temperature Maximum (High Byte)

Table 8-1. Register Map Summary (continued)

POINTER ADDRESS (HEX)		POWER-ON-RESET (HEX)	BIT DESCRIPTION								REGISTER DESCRIPTIONS
READ	WRITE		D7	D6	D5	D4	D3	D2	D1	D0	
33	33	00	LXT3	LXT2	LXT1	LXT0	0	0	0	0	Local Temperature Maximum (Low Byte)
34	34	FF	RMT11	RMT10	RMT9	RMT8	RMT7	RMT6	RMT5	RMT4	Remote Temperature Minimum (High Byte)
35	35	F0	RTM3	RTM2	RTM1	RTM0	0	0	0	0	Remote Temperature Minimum (Low Byte)
36	36	00	RXT11	RXT10	RXT9	RXT8	RXT7	RXT6	RXT5	RXT4	Remote Temperature Maximum (High Byte)
37	37	00	RXT3	RXT2	RXT1	RXT0	0	0	0	0	Remote Temperature Maximum (Low Byte)
NA	FC	XX	X ⁽²⁾	X	X	X	X	X	X	X	Software Reset
FE	NA	55	0	1	0	1	0	1	0	1	Manufacturer ID
FF	NA	12	0	0	0	1	0	0	1	0	Device ID for TMP411A/TMP411DA
FF	NA	13	0	0	0	1	0	0	1	1	Device ID for TMP411B/TMP411DB
FF	NA	10	0	0	0	1	0	0	0	0	Device ID for TMP411C/TMP411DC
FF	NA	12	0	0	0	1	0	0	1	0	Device ID for TMP411E/TMP411DE

- (1) NA = not applicable; register is write- or read-only.
- (2) X = indeterminable state.
- (3) Offset registers 11 and 12 are only available for the TMP411E/TMP411DE device.

8.1 Register Information

The TMP411/TMP411D contains multiple registers for holding configuration information, temperature measurement results, maximum and minimum temperature comparator limits, and status information. These registers are described in [Figure 8-1](#) and [Table 8-1](#).

8.2 Pointer Register

[Figure 8-1](#) shows the internal register structure of the TMP411/TMP411D. The 8-bit pointer register addresses a given data register. The Pointer Register identifies which of the data registers must respond to a read or write command on the two-wire bus. This register is set with every write command. A write command must be issued to set the proper value in the pointer register before executing a read command. [Table 8-1](#) lists the pointer address of the registers available in the TMP411/TMP411D. Offset registers 11 and 12 are only available for the TMP411E/TMP411DE device. The power-on-reset (POR) value of the Pointer Register is 00h (0000 0000b).

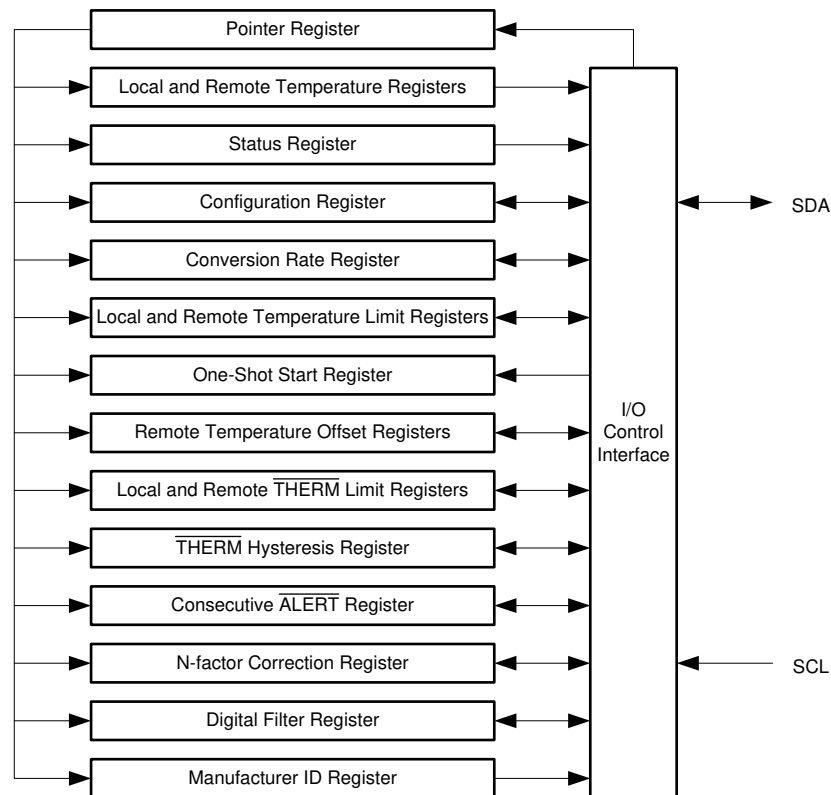


Figure 8-1. Internal Register Structure

8.3 Temperature Registers

The TMP411/TMP411D has four 8-bit registers that hold temperature measurement results. The local and remote channels have a high byte register that contains the most significant bits (MSBs) of the temperature analog-to-digital converter (ADC) result and a low byte register that contains the least significant bits (LSBs) of the temperature ADC result. The local channel high byte address is 00h; the local channel low byte address is 15h. The remote channel high byte is at address 01h; the remote channel low byte address is 10h. These registers are read-only and are updated by the ADC each time a temperature measurement is completed.

The TMP411/TMP411D contains circuitry to verify that a low byte register read command returns data from the same ADC conversion as the immediately preceding high byte read command. This verification remains valid only until another register is read. For proper operation, the high byte of a temperature register must be read first. The low byte register must be read in the next read command. The low byte register can be left unread if the LSBs are not needed. The temperature registers can be read as a 16-bit register using a single two-byte

read command from address 00h for the local channel result, or from address 01h for the remote channel result. The high byte is read first, followed by the low byte. Both bytes of this read operation are from the same ADC conversion. The power-on-reset value of both temperature registers is 00h.

8.4 Limit Registers

The TMP411/TMP411D has 11 registers for setting comparator limits for the local and remote measurement channels. These registers have read and write capability. The High and Low Limit Registers for both channels span two registers, as do the temperature registers. The local temperature high limit is set by writing the high byte to pointer address 0Bh, writing the low byte to pointer address 16h, or by using a single two-byte write command (high byte first) to pointer address 0Bh. The local temperature high limit is read by the high byte from pointer address 05h, the low byte from pointer address 16h, or by using a two-byte read command from pointer address 05h. The power-on-reset value of the local temperature high limit is 5500h. The power-on-reset value of the local temperature high limit is 5500h (85°C in standard temperature mode and 21°C in extended temperature mode).

Similarly, the local temperature low limit is set by writing the high byte to pointer address 0Ch, writing the low byte to pointer address 17h, or by using a single two-byte write command to pointer address 0Ch. The local temperature low limit is read by the high byte from pointer address 06h, the low byte from pointer address 17h, or by using a two-byte read from pointer address 06h. The power-on-reset value of the local temperature low limit register is 00h (0°C in standard temperature mode, and -64°C in extended mode).

The remote temperature high limit is set by writing the high byte to pointer address 0Dh, writing the low byte to pointer address 13h, or by using a two-byte write command to pointer address 0Dh. The remote temperature high limit is read by the high byte from pointer address 07h, the low byte from pointer address 13h, or by using a two-byte read command from pointer address 07h. The power-on-reset value of the Remote Temperature High Limit Register is 55h or 00h (85°C in standard temperature mode, and 21°C in extended temperature mode).

The remote temperature low limit is set by writing the high byte to pointer address 0Eh, writing the low byte to pointer address 14h, or by using a two-byte write to pointer address 0Eh. The remote temperature low limit is read by the high byte from pointer address 08h, the low byte from pointer address 14h, or by using a two-byte read from pointer address 08h. The power-on-reset value of the Remote Temperature Low Limit Register is 00h (0°C in standard temperature mode, and -64°C in extended mode).

The TMP411/TMP411D has a $\overline{\text{THERM}}$ limit register for the local and remote channels. These registers are eight bits and allow for $\overline{\text{THERM}}$ limits to be set to 1°C resolution. The local channel $\overline{\text{THERM}}$ limit is set by writing to pointer address 20h. The remote channel $\overline{\text{THERM}}$ limit is set by writing to pointer address 19h. The local channel $\overline{\text{THERM}}$ limit is read from pointer address 20h, and the remote channel $\overline{\text{THERM}}$ limit is read from pointer address 19h. The power-on-reset value of the $\overline{\text{THERM}}$ limit registers is 55h (85°C in standard temperature mode or 21°C in extended temperature mode). The $\overline{\text{THERM}}$ limit comparators have hysteresis. The hysteresis of the comparators is set by writing to pointer address 21h. The hysteresis value is obtained by reading from pointer address 21h. The Hysteresis Register value is an unsigned number that is always positive. The power-on-reset value of this register is 0Ah (10°C).

When changing between standard and extended temperature ranges, note that the temperatures stored in the temperature limit registers do not automatically reformat to correspond to the new temperature range format. These values must be reprogrammed in the appropriate binary or extended binary format.

8.5 Status Register

The TMP411/TMP411D has a Status Register that reports the state of the temperature comparators. [Table 8-2](#) lists the Status Register bits. The Status Register is read-only from pointer address 02h.

The BUSY bit reads as 1 if the ADC is making a conversion, and 0 if the ADC is not converting.

The OPEN bit reads as 1 if the remote transistor is detected as OPEN since the last read of the Status Register. The OPEN status is only detected when the ADC is attempting to convert a remote temperature.

The RTHRM bit reads as 1 if the remote temperature exceeds the remote $\overline{\text{THERM}}$ limit, remains greater than the remote $\overline{\text{THERM}}$ limit, and less than the value in the shared Hysteresis Register, as shown in [Figure 7-8](#).

The LTHRM bit reads as 1 if the local temperature exceeds the local $\overline{\text{THERM}}$ limit, remains greater than the local $\overline{\text{THERM}}$ limit, and less than the value in the shared Hysteresis Register, as shown in Figure 7-8.

The LHIGH and RHIGH bit values depend on the state of the AL or TH bit in the Configuration Register. If the AL or TH bit is 0, the LHIGH bit reads as 1 if the local high limit is exceeded since the last clearing of the Status Register. The RHIGH bit reads as 1 if the remote high limit is exceeded since the last clearing of the Status Register. If the AL or TH bit is 1, the remote high limit and the local high limit implement a $\overline{\text{THERM2}}$ function. LHIGH reads as 1 if the local temperature has exceeded the local high limit and remains greater than the local high limit, and less than the value in the Hysteresis Register.

The RHIGH bit reads as 1 if the remote temperature exceeds the remote high limit and remains greater than the remote high limit, and less than the value in the Hysteresis Register.

The LLOW and RLOW bits are not effected by the AL or TH bit. The LLOW bit reads as 1 if the local low limit is exceeded since the last clearing of the Status Register. The RLOW bit reads as 1 if the remote low limit is exceeded since the last clearing of the Status Register. When there is no remote diode connected and the power supply ramp rate is less than 240V/s, RLOW flag is set as well and must be ignored.

The values of the LLOW, RLOW, and OPEN (as well as LHIGH and RHIGH when AL or TH is 0) are latched and are read as 1 until the Status Register is read or a device reset occurs. These bits are cleared by reading the Status Register, provided that the condition causing the flag to be set no longer exists. The values of BUSY, LTHRM, and RTHRM (as well as LHIGH and RHIGH when $\overline{\text{ALERT/THERM2}}$ is 1) are not latched and are not cleared by reading the Status Register. The values indicate the current state, and are updated appropriately at the end of the corresponding ADC conversion. Clearing the Status Register bits does not clear the state of the $\overline{\text{ALERT}}$ pin. An SMBus alert response address command must clear the $\overline{\text{ALERT}}$ pin.

The TMP411/TMP411D NORs LHIGH, LLOW, RHIGH, RLOW, and OPEN, so a status change for any of these flags from 0 to 1 automatically causes the $\overline{\text{ALERT}}$ pin to go low. (This only applies when the $\overline{\text{ALERT/THERM2}}$ pin is configured for $\overline{\text{ALERT}}$ mode).

Table 8-2. Status Register Format

STATUS REGISTER (READ = 02h, WRITE = NA)								
Bit Number	D7	D6	D5	D4	D3	D2	D1	D0
Bit Name	BUSY	LHIGH	LLOW	RHIGH	RLOW	OPEN	RTHRM	LTHRM
POR Value	0 ⁽¹⁾	0	0	0	0	0	0	0

(1) The BUSY bit changes to 1 almost immediately (<< 100µs) following power-up, as the TMP411/TMP411D device begins the first temperature conversion. The BUSY bit is high whenever the TMP411/TMP411D device is converting a temperature reading.

8.6 Configuration Register

The Configuration Register sets the temperature range, controls shutdown mode, and determines how the $\overline{\text{ALERT}}$ and $\overline{\text{THERM2}}$ pins function. The Configuration Register is set by writing to pointer address 09h and by reading from pointer address 03h.

The MASK bit (bit 7) enables or disables the $\overline{\text{ALERT}}$ pin output if AL or TH = 0. If AL or TH = 1, then the MASK bit has no effect. If MASK is set to 0, the $\overline{\text{ALERT}}$ pin goes low when one of the temperature measurement channels exceeds the high or low limits for the selected number of consecutive conversions. If the MASK bit is set to 1, the TMP411/TMP411D retains the $\overline{\text{ALERT}}$ pin status, but the $\overline{\text{ALERT}}$ pin does not go low.

The shutdown (SD) bit (bit 6) enables or disables the temperature measurement circuitry. If SD = 0, the TMP411/TMP411D converts continuously at the rate set in the conversion rate register. When SD is set to 1, the TMP411/TMP411D immediately stops converting and enters shutdown mode. When SD is set to 0 again, the TMP411/TMP411D resumes continuous conversions. A single conversion starts by writing to the One-Shot Register when SD = 1.

The AL or TH bit (bit 5) controls if the $\overline{\text{ALERT}}$ pin functions in $\overline{\text{ALERT}}$ mode or $\overline{\text{THERM2}}$ mode. If AL or TH = 0, the $\overline{\text{ALERT}}$ pin operates as an interrupt pin. In this mode, the $\overline{\text{ALERT}}$ pin goes low after the set number of consecutive out-of-limit temperature measurements occur.

If AL or TH = 1, the $\overline{\text{ALERT}}/\overline{\text{THERM2}}$ pin implements a $\overline{\text{THERM2}}$ function ($\overline{\text{THERM2}}$). In this mode, $\overline{\text{THERM2}}$ functions similarly to the THERM pin, except that the local high limit and remote high limit registers are used for the thresholds. $\overline{\text{THERM2}}$ goes low when RHIGH or LHIGH is set.

The temperature range is set by configuring bit 2 of the Configuration Register. Setting this bit low configures the TMP411/TMP411D device for the standard measurement range (0°C to 127°C). Temperature conversions are stored in the standard binary format. Setting bit 2 high configures the TMP411/TMP411D for the extended measurement range (-55°C to +150°C). Temperature conversions are stored in the extended binary format, as listed in Table 7-1.

The remaining bits of the Configuration Register are reserved and must be set to 0. The power-on-reset value for this register is 00h. Table 8-3 lists the Configuration Register bits.

Table 8-3. Configuration Register Bit Descriptions

CONFIGURATION REGISTER (READ = 03h, WRITE = 09h, POR = 00h)			
BIT	NAME	FUNCTION	POWER-ON-RESET VALUE
7	MASK	0 = $\overline{\text{ALERT}}$ enabled 1 = $\overline{\text{ALERT}}$ masked	0
6	SD	0 = Run 1 = Shutdown	0
5	AL or TH	0 = $\overline{\text{ALERT}}$ mode 1 = THERM mode	0
4, 3	Reserved	—	0
2	Temperature range	0 = 0°C to 127°C 1 = -55°C to 150°C	0
1, 0	Reserved	—	0

8.7 Resolution Register

The RES1 and RES0 bits (resolution bits 1 and 0) of the Resolution Register set the resolution of the local temperature measurement channel. Remote temperature measurement channel resolution is not effected. Changing the local channel resolution affects the conversion time and rate of the TMP411 only. The Resolution Register is set by writing to pointer address 1Ah, and is read from pointer address 1Ah. Table 8-4 lists the resolution bits for the Resolution Register.

Table 8-4. Resolution Register: Local Channel Programmable Resolution

RESOLUTION REGISTER (READ = 1Ah, WRITE = 1Ah, POR = 1Ch)				
RES1	RES0	RESOLUTION	CONVERSION TIME (TYPICAL) TMP411 (Legacy chip)	CONVERSION TIME (TYPICAL) TMP411 (New chip) TMP411D
0	0	9 Bits (0.5°C)	12.5ms	17.7ms
0	1	10 Bits (0.25°C)	25ms	17.7ms
1	0	11 Bits (0.125°C)	50ms	17.7ms
1	1	12 Bits (0.0625°C)	100ms	17.7ms

Bits 2 through 4 of the resolution register must be set to 1. Bits 5 through 7 of the resolution register must be set to 0. The power-on-reset value of this register is 1Ch.

8.8 Conversion Rate Register

The Conversion Rate Register controls the rate at which temperature conversions are performed. The register adjusts the idle time between conversions but not the conversion timing, which allows the TMP411/TMP411D

power dissipation to balance with the temperature register update rate. [Table 8-5](#) lists the conversion rate options and corresponding current consumption.

Table 8-5. Conversion Rate Register

CONVERSION RATE REGISTER (READ = 04h, WRITE = 0Ah, POR = 08h)											
R7	R6	R5	R4	R3	R2	R1	R0	CONVERSIONS PER SECOND	AVERAGE IQ (TYPICAL) (µA) TMP411 (Legacy chip)		AVERAGE IQ (TYPICAL)(µA) TMP411 (New chip) TMP411D
									V+ = 2.7V	V+ = 5.5V	V+ = 2.7V and 5.5V
0	0	0	0	0	0	0	0	0.0625	11	32	1.5
0	0	0	0	0	0	0	1	0.125	17	38	1.8
0	0	0	0	0	0	1	0	0.25	28	49	2.5
0	0	0	0	0	0	1	1	0.5	47	69	3.8
0	0	0	0	0	1	0	0	1	80	103	6.5
0	0	0	0	0	1	0	1	2	128	155	12
0	0	0	0	0	1	1	0	4	190	220	23
07h to 0Fh								8	373	413	45

8.9 N-Factor Correction Register

The TMP411/TMP411D allows for a different *n*-factor value to convert remote channel measurements to temperature. The remote channel uses sequential current excitation to extract a differential V_{BE} voltage measurement to determine the temperature of the remote transistor. [Equation 1](#) relates the voltage and temperature.

$$V_{BE2} - V_{BE1} = \frac{nkT}{q} \ln\left(\frac{I_2}{I_1}\right) \tag{1}$$

The value *n* is a characteristic of the particular transistor used for the remote channel. The default value for the TMP411/TMP411D is *n* = 1.008. The value in the [Table 8-6](#) adjusts the effective *n*-factor according to [Equation 2](#) and [Equation 3](#):

$$n_{\text{eff}} = \frac{1.008 \times 300}{(300 - N_{\text{ADJUST}})} \tag{2}$$

$$N_{\text{ADJUST}} = 300 - \left(\frac{300 \times 1.008}{n_{\text{eff}}} \right) \tag{3}$$

The *n*-correction value must be stored in two's-complement format, yielding an effective data range from -128 to 127, as listed in [Table 8-6](#). The *n*-correction value is written to and read from pointer address 18h. The register power-on-reset value is 00h, which is not effected unless the value is written to.

Table 8-6. N-Factor Range

BINARY	N _{ADJUST}		N
	HEX	DECIMAL	
01111111	7F	127	1.747977
00001010	0A	10	1.042759
00001000	08	8	1.035616
00000110	06	6	1.028571
00000100	04	4	1.021622
00000010	02	2	1.014765
00000001	01	1	1.011371
00000000	00	0	1.008
11111111	FF	-1	1.004651
11111110	FE	-2	1.001325
11111100	FC	-4	0.994737
11111010	FA	-6	0.988235
11111000	F8	-8	0.981818
11110110	F6	-10	0.975484
10000000	80	-128	0.706542

8.10 Minimum and Maximum Registers

The TMP411/TMP411D stores the measured minimum and maximum temperatures since power-on, chip-reset, or minimum and maximum register reset for the local and remote channels. The Local Temperature Minimum Register is read with the high byte from pointer address 30h, and the low byte is read from pointer address 31h. The Local Temperature Minimum Register is read with a two-byte read command from pointer address 30h. The Local Temperature Minimum Register resets at power-on by executing the chip-reset command, or by writing any value to any of the pointer addresses 30h through 37h. The reset value for these registers is FFh and F0h.

The Local Temperature Maximum Register is read with the high byte from pointer address 32h, and the low byte is read from pointer address 33h. The Local Temperature Maximum Register is read with a two-byte read command from pointer address 32h. The Local Temperature Maximum Register resets at power-on by executing the chip reset command, or by writing any value to any of the pointer addresses 30h through 37h. The reset value for these registers is 00h and 00h.

The Remote Temperature Minimum Register is read with the high byte from pointer address 34h, and the low byte is read from pointer address 35h. The Remote Temperature Minimum Register is read with a two-byte read command from pointer address 34h. The Remote Temperature Minimum Register resets at power-on by executing the chip reset command, or by writing any value to any of the pointer addresses 30h through 37h. The reset value for these registers is FFh and F0h.

The Remote Temperature Maximum Register is read with the high byte from pointer address 36h and the low byte is read from pointer address 37h. The Remote Temperature Maximum Register is read with a two-byte read command from pointer address 36h. The Remote Temperature Maximum Register resets at power-on by executing the chip reset command, or by writing any value to any of the pointer addresses 30h through 37h. The reset value for these registers is 00h and 00h.

8.11 Consecutive Alert Register

The value in the Consecutive Alert Register (address 22h) determines how many consecutive out-of-limit measurements must occur on a measurement channel before the $\overline{\text{ALERT}}$ signal is activated. The value in this register does not effect bits in the Status Register. Values of one, two, three, or four consecutive conversions can be selected; one conversion is the default. The function allows additional filtering for the $\overline{\text{ALERT}}$ pin. The consecutive alert bits are listed in [Table 8-7](#):

Table 8-7. Consecutive Alert Register

CONSECUTIVE ALERT REGISTER (READ = 22h, WRITE = 22h, POR = 01h)			
C2	C1	C0	NUMBER OF CONSECUTIVE OUT OF LIMIT MEASUREMENTS
0	0	0	1
0	0	1	2
0	1	1	3
1	1	1	4

Note

Bit 7 of the Consecutive Alert Register controls the enable/disable of the timeout function. See the [Timeout Function](#) section for a description of this feature.

8.12 $\overline{\text{THERM}}$ Hysteresis Register

The $\overline{\text{THERM}}$ Hysteresis Register, shown in [Table 8-9](#), stores the hysteresis value for the $\overline{\text{THERM}}$ pin alarm function. This register must be programmed with a value that is less than the Local Temperature High Limit Register value, Remote Temperature High Limit Register value, Local $\overline{\text{THERM}}$ Limit Register value, or Remote $\overline{\text{THERM}}$ Limit Register value, otherwise the respective temperature comparator does not trip on the falling edges of the measured temperature. Permitted hysteresis values are listed in [Table 8-8](#). The default hysteresis value is 10°C, whether the device is operating in the standard or extended mode setting.

Table 8-8. Allowable $\overline{\text{THERM}}$ Hysteresis Values

TEMPERATURE (°C)	$\overline{\text{THERM}}$ HYSTERESIS VALUES	
	TH [11:1] (STANDARD BINARY)	(HEX)
0	0000 0000	00
1	0000 0001	01
5	0000 0101	05
10	0000 1010	0A
25	0001 1001	19
50	0011 0010	32
75	0100 1011	4B
100	0110 0100	64
125	0111 1101	7D
127	0111 1111	7F
150	1001 0110	96
175	1010 1111	AF
200	1100 1000	C8
225	1110 0001	E1
255	1111 1111	FF

Table 8-9. THERM Hysteresis Register Format

THERM HYSTERESIS REGISTER (READ = 21h, WRITE = 21h, POR = 0Ah)								
BIT NUMBER	D7	D6	D5	D4	D3	D2	D1	D0
BIT NAME	TH11	TH10	TH9	TH8	TH7	TH6	TH5	TH4
POR VALUE	0	0	0	0	1	0	1	0

8.13 Remote Temperature Offset Register

The offset register allows the TMP411E/TMP411DE to store any system offset compensation value that can result from precision calibration. The value in the register is stored in the same format as the temperature result, and is added to the remote temperature result after each conversion. Combined with the η -factor correction, the function allows for an accurate system calibration over the entire temperature range.

8.14 Identification Registers

The TMP411/TMP411D allows for the two-wire bus controller to query the device for manufacturer and device identification. This feature allows for software identification of the device at the particular two-wire bus address. The manufacturer identification is obtained by reading from pointer address FEh. The TMP411/TMP411D manufacturer code is 55h. The device identification depends on the specific model, as listed in [Table 8-1](#). These registers are read-only.

9 Application and Implementation

Note

Information in the following applications sections is not part of the TI component specification, and TI does not warrant its accuracy or completeness. TI's customers are responsible for determining suitability of components for their purposes, as well as validating and testing their design implementation to confirm system functionality.

9.1 Application Information

The TMP411/TMP411D only requires a transistor connected between the D+ and D– pins for remote temperature measurement. Tie the D+ pin to D– if the remote channel is not used and only the local temperature is measured. The SDA, $\overline{\text{ALERT}}$ and $\overline{\text{THERM}}$ pins (and SCL, if driven by an open-drain output) require pullup resistors as part of the communication bus. TI recommends using a 0.1 μF power-supply decoupling capacitor for local bypassing. Figure 9-1 illustrates the typical configurations for the TMP411/TMP411D. For $V_+ \geq 2.7\text{V}$ as shown in Figure 9-1, TMP411/TMP411D digital pins (4, 6, 7 and 8) can be connected to a separate I²C pullup and supply voltage due to fixed logic input voltages. However, for $V_+ < 2.7\text{V}$ as shown in Figure 9-2, TMP411D digital pins (SCL, SDA) must be connected to an equal I²C pullup and supply voltage due to ratiometric logic input voltages (30%/70% of V_+ pin).

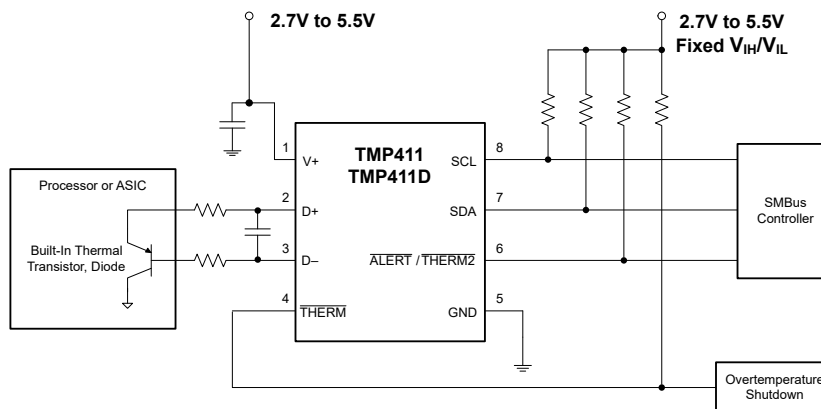


Figure 9-1. TMP411/TMP411D Simplified Block Diagram (Separate I²C Pullup and Supply Voltage Application while $V_+ \geq 2.7\text{V}$)

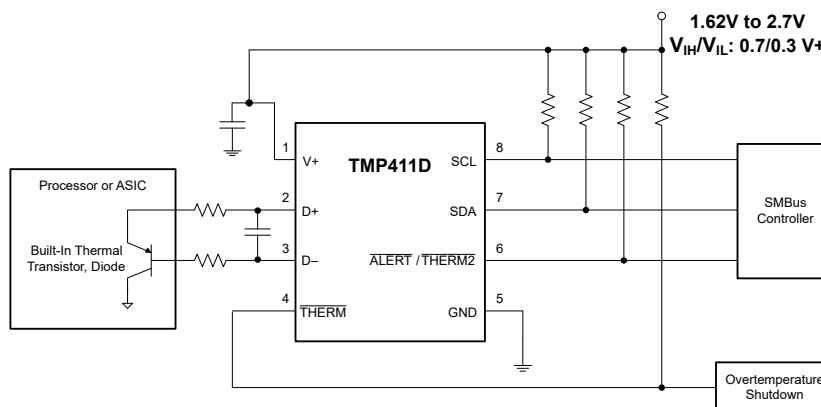


Figure 9-2. TMP411D Simplified Block Diagram (Equal I²C Pullup and Supply Voltage Application while $V_+ < 2.7\text{V}$)

9.2 Typical Application

9.2.1 Design Requirements

The TMP411/TMP411D is designed to be used with discrete transistors or substrate transistors built into processor chips and ASICs. NPN or PNP transistors can be used, as long as the base-emitter junction is the remote temperature sensor. A transistor or diode connection can be used, as shown in [Figure 7-1](#). The D+ pin waveform is shown in [Figure 9-3](#) while a transistor is connected between the D+ and D– pins. Due to 3 different source currents shown in [Functional Block Diagram](#), the D+ waveform has 3 levels of voltages during temperature conversion.

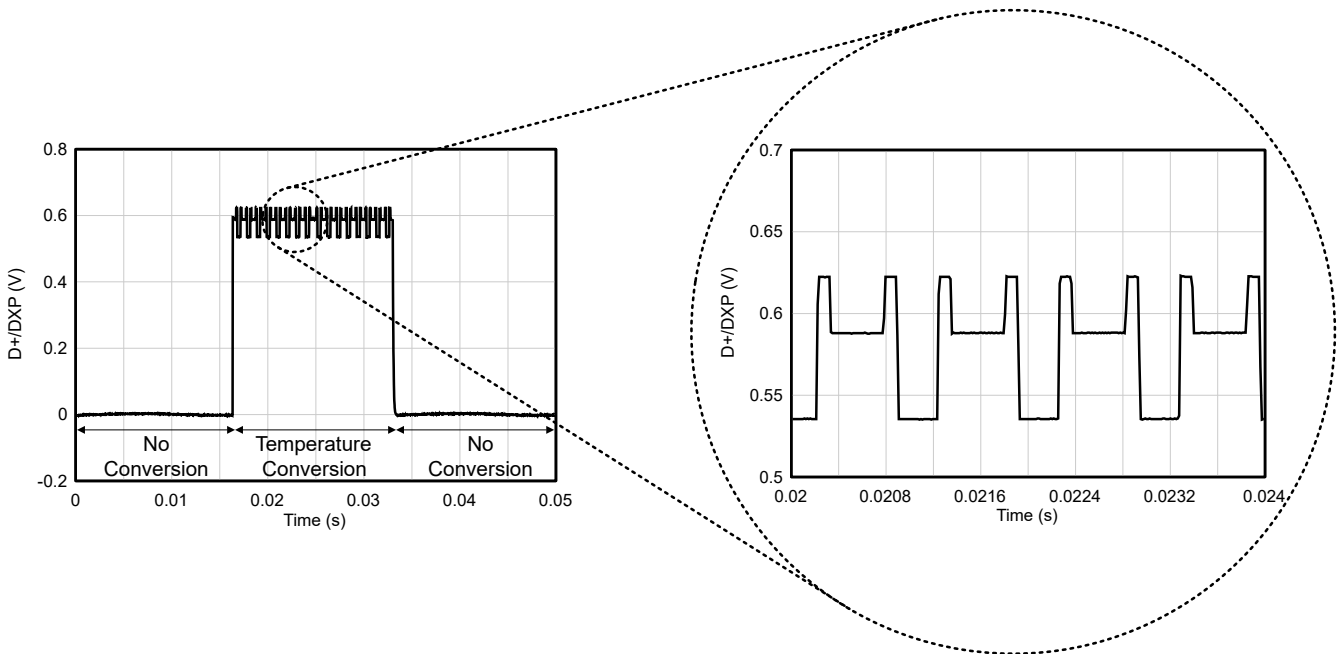


Figure 9-3. D+ Waveform

Errors in remote temperature sensor readings are the result of the ideality factor and current excitation from the TMP411/TMP411D versus the manufacturer-specified operating current for a given transistor. Some manufacturers specify a high-level and low-level current for the temperature-sensing substrate transistors. The TMP411/TMP411D has an I_{LOW} value of $6\mu A$, and an I_{HIGH} value of $120\mu A$. The TMP411/TMP411D allows for different n -factor values, as shown in [Table 8-6](#).

The ideality factor (n) is a measured characteristic of a remote temperature sensor diode compared to an ideal diode. The ideality factor reduces to a value of 1.008. For transistors with an ideality factor that does not match the TMP411/TMP411D, [Equation 4](#) calculates the temperature error. Note that the actual temperature ($^{\circ}C$) must be converted to Kelvin ($^{\circ}K$) for the equation to yield the correct results.

$$T_{ERR} = \left(\frac{n - 1.008}{1.008} \right) \times (273.15 + T(^{\circ}C)) \quad \text{or} \quad T_{ERR} = \left(\frac{n_{actual} - n_{expected}}{n_{expected}} \right) \times (273.15 + T_{actual}(C)) \quad (4)$$

where:

- n or n_{actual} = the ideality factor of the remote temperature sensor
- $T(^{\circ}C)$ or $T_{actual}(^{\circ}C)$ = actual temperature
- $T_{ERR} = T_{reported} - T_{actual}$ = device reading error due to n or $n_{actual} \neq 1.008$
- Degree delta is the same for $^{\circ}C$ and $^{\circ}K$
- $n_{expected} = 1.008$

For $n = 1.004$ and $T(^{\circ}\text{C}) = 100^{\circ}\text{C}$, use [Equation 5](#):

$$T_{\text{ERR}} = \left(\frac{1.004 - 1.008}{1.008} \right) \times (273.15 + 100^{\circ}\text{C})$$

$$T_{\text{ERR}} = -1.48^{\circ}\text{C} \tag{5}$$

If a discrete transistor is used as the remote temperature sensor, please select the transistor according to the following criteria results in the best accuracy.

1. Base-emitter voltage $> 0.25\text{V}$ at $6\mu\text{A}$, at the highest sensed temperature.
2. Base-emitter voltage $< 0.95\text{V}$ at $120\mu\text{A}$, at the lowest sensed temperature.
3. Base resistance $< 100\Omega$
4. Tight control of V_{BE} characteristics indicated by small variations in h_{FE} (that is, 50 to 150).

Based on these criteria, TI recommends using two small-signal transistors, such as the 2N3904 (NPN) or 2N3906 (PNP).

9.2.2 Detailed Design Procedure

The temperature measurement accuracy of the TMP411/TMP411D depends on the remote or local temperature sensor being at the same temperature as the monitored system point. If the temperature sensor is not in good thermal contact with the part of the system being monitored, then there is a delay in the response of the sensor to a temperature change in the system. For remote temperature sensing applications using a substrate transistor (or a small, SOT-23 transistor) placed close to the device, this delay is typically not a concern.

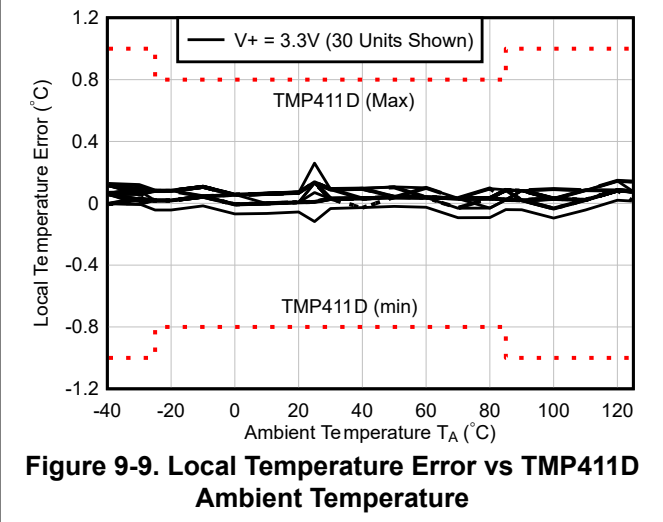
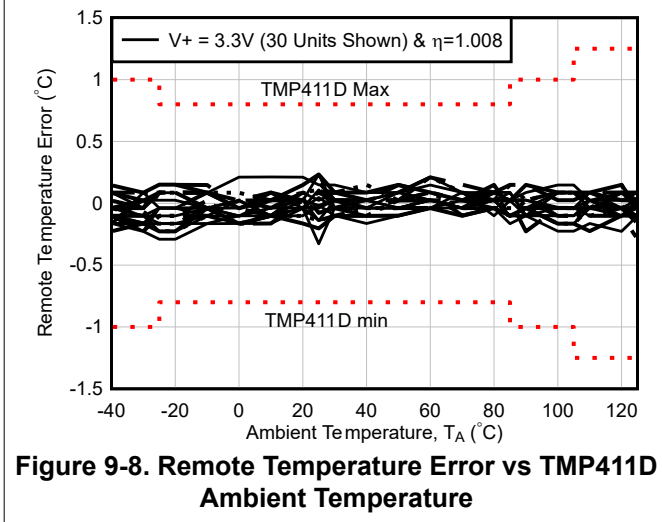
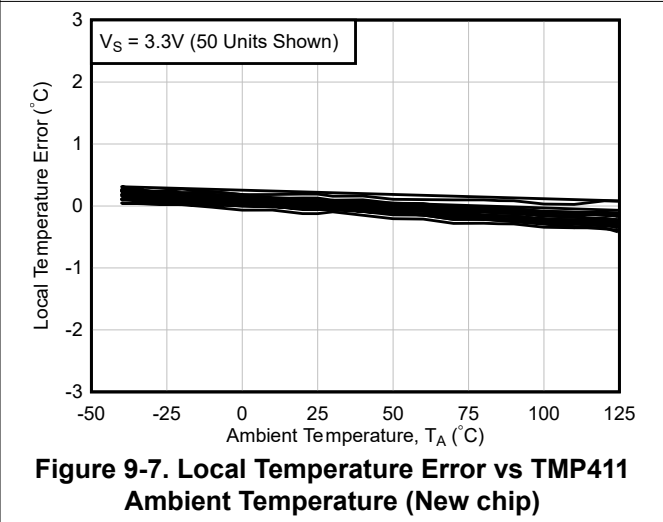
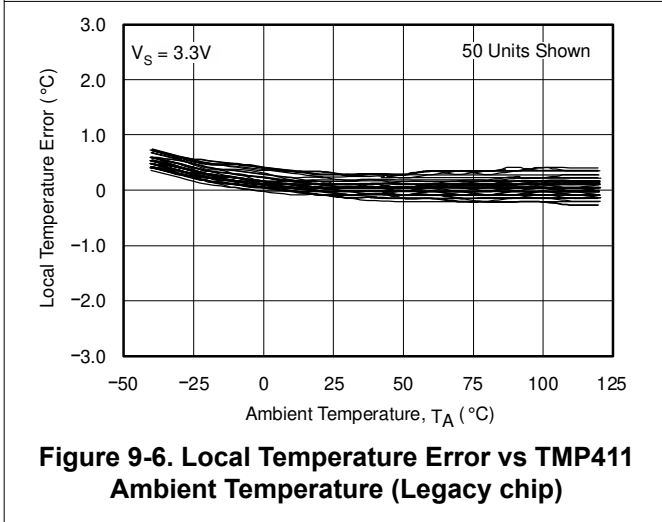
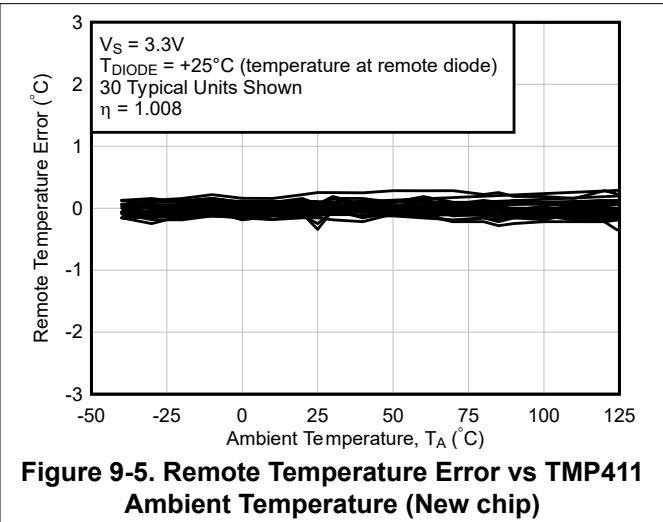
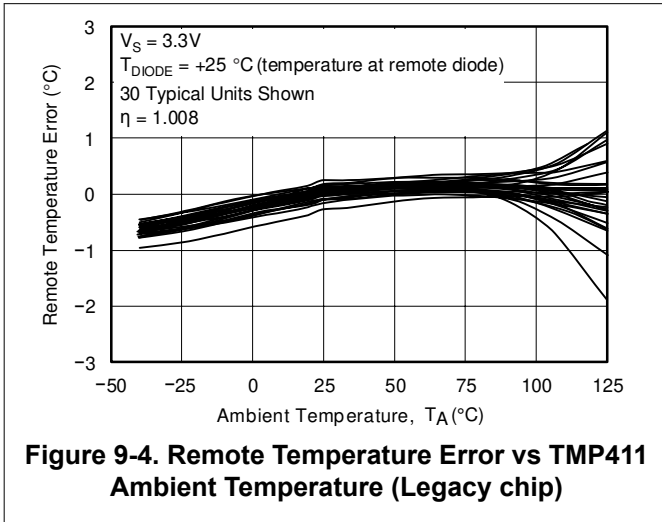
The local temperature sensor inside the TMP411/TMP411D monitors the ambient air around the device. The thermal time constant for the TMP411/TMP411D is approximately two seconds. This constant implies that if the ambient air changes quickly by 100°C , the TMP411/TMP411D takes approximately 10 seconds (that is, five thermal time constants) to settle within 1°C of the final value. In most applications, the TMP411/TMP411D package is in electrical (and thermal contact) with the printed circuit board (PCB), and subjected to forced airflow. The accuracy of the temperature measurement directly depends on how accurately the PCB and forced airflow temperatures represent the temperature measured by the device. Additionally, the internal power dissipation of the TMP411/TMP411D can cause the temperature to rise above the ambient or PCB temperature. The internal power dissipated as a result of exciting the remote temperature sensor is negligible because of the small currents used.

TMP411 (Legacy Chip): For a 3.3V supply and maximum conversion rate of eight conversions per second, the TMP411 dissipates 1.32mW (PD IQ = $3.3\text{V} \times 400\mu\text{A}$). If the $\overline{\text{ALERT}}/\overline{\text{THERM2}}$ and THERM pins are each sinking 1mA, an additional power of 0.8mW is dissipated (PD OUT = $1\text{mA} \times 0.4\text{V} + 1\text{mA} \times 0.4\text{V} = 0.8\text{mW}$). Total power dissipation equals 2.12mW (PD IQ + PD OUT) and (with a θ_{JA} value of $150^{\circ}\text{C}/\text{W}$) causes the junction temperature to rise approximately 0.318°C above the ambient.

TMP411 (New Chip): For a 3.3V supply and maximum conversion rate of eight conversions per second, the TMP411 dissipates 0.149mW (PD IQ = $3.3\text{V} \times 45\mu\text{A}$). If the $\overline{\text{ALERT}}/\overline{\text{THERM2}}$ and THERM pins are each sinking 1mA, an additional power of 0.8mW is dissipated (PD OUT = $1\text{mA} \times 0.4\text{V} + 1\text{mA} \times 0.4\text{V} = 0.8\text{mW}$). Total power dissipation equals 0.949mW (PD IQ + PD OUT) and (with a θ_{JA} value of $162^{\circ}\text{C}/\text{W}$) causes the junction temperature to rise approximately 0.154°C above the ambient.

TMP411D: For a 3.3V supply and maximum conversion rate of eight conversions per second, the TMP411D dissipates 0.149mW (PD IQ = $3.3\text{V} \times 45\mu\text{A}$). If the $\overline{\text{ALERT}}/\overline{\text{THERM2}}$ and THERM pins are each sinking 1mA, an additional power of 0.8mW is dissipated (PD OUT = $1\text{mA} \times 0.4\text{V} + 1\text{mA} \times 0.4\text{V} = 0.8\text{mW}$). Total power dissipation equals 0.949mW (PD IQ + PD OUT) and (with a θ_{JA} value of $182^{\circ}\text{C}/\text{W}$) causes the junction temperature to rise approximately 0.173°C above the ambient.

9.2.3 Application Curves



9.3 Power Supply Recommendations

The TMP411 operates with a power supply range of 2.7V to 5.5V while TMP411D power supply range is 1.62V to 5.5V. The device is optimized for operation at a 3.3V supply, but measures temperature accurately in the full supply range. TI recommends using a power supply bypass capacitor. Place the capacitor as close as possible to the supply and ground pins of the device. 0.1 μ F is a typical value for the supply bypass capacitor. Applications with noisy or high-impedance power supplies can require additional decoupling capacitors to reject power-supply noise.

9.4 Layout

9.4.1 Layout Guidelines

Remote temperature sensing on the TMP411/TMP411D measures small voltages using low currents, and therefore noise at the device inputs must be minimized. Most applications using the TMP411/TMP411D have high digital content with several clocks and logic-level transitions that create a noisy environment. The layout must adhere to the following guidelines:

- Place the TMP411/TMP411D as close to the remote junction sensor as possible.
- Route the D+ and D– traces next to each other and shield the traces from adjacent signals using ground guard traces, as shown in [Figure 9-10](#). If a multilayer PCB is used, bury these traces between ground or VDD planes to shield the planes from extrinsic noise sources. TI recommends using 5mm (0.127mm) PCB traces.
- Minimize additional thermocouple junctions caused by copper-to-solder connections. If these junctions are used, make the same number and approximate location of copper-to-solder connections in the D+ and D– connections to cancel any thermocouple effects.
- Use a 0.1 μ F local bypass capacitor directly between the V+ and GND pins of the TMP411/TMP411D, as shown in [Figure 9-11](#). Minimize filter capacitance between D+ and D– to 1000pF or less for optimum measurement performance. This capacitance includes any cable capacitance between the remote temperature sensor and the TMP411/TMP411D.
- If the connection between the remote temperature sensor and the TMP411/TMP411D is less than eight inches (20cm), use a twisted-wire pair connection. If the connection measures more than eight inches (20cm), use a twisted, shielded pair with the shield grounded as close to the TMP411/TMP411D as possible. Leave the remote sensor connection end of the shield wire open to avoid grounded loops and 60Hz pickup.

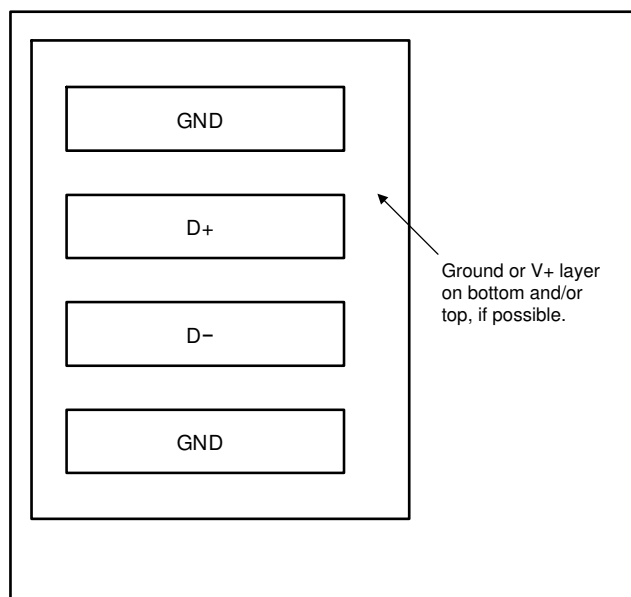


Figure 9-10. Example Signal Traces

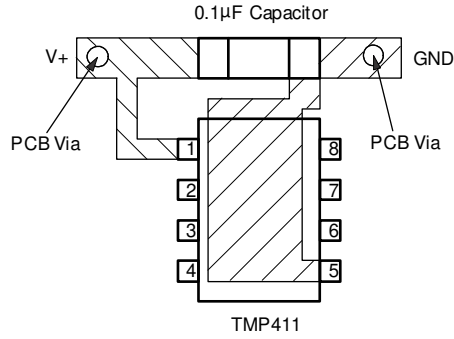


Figure 9-11. Suggested Bypass Capacitor Placement

9.4.2 Layout Example

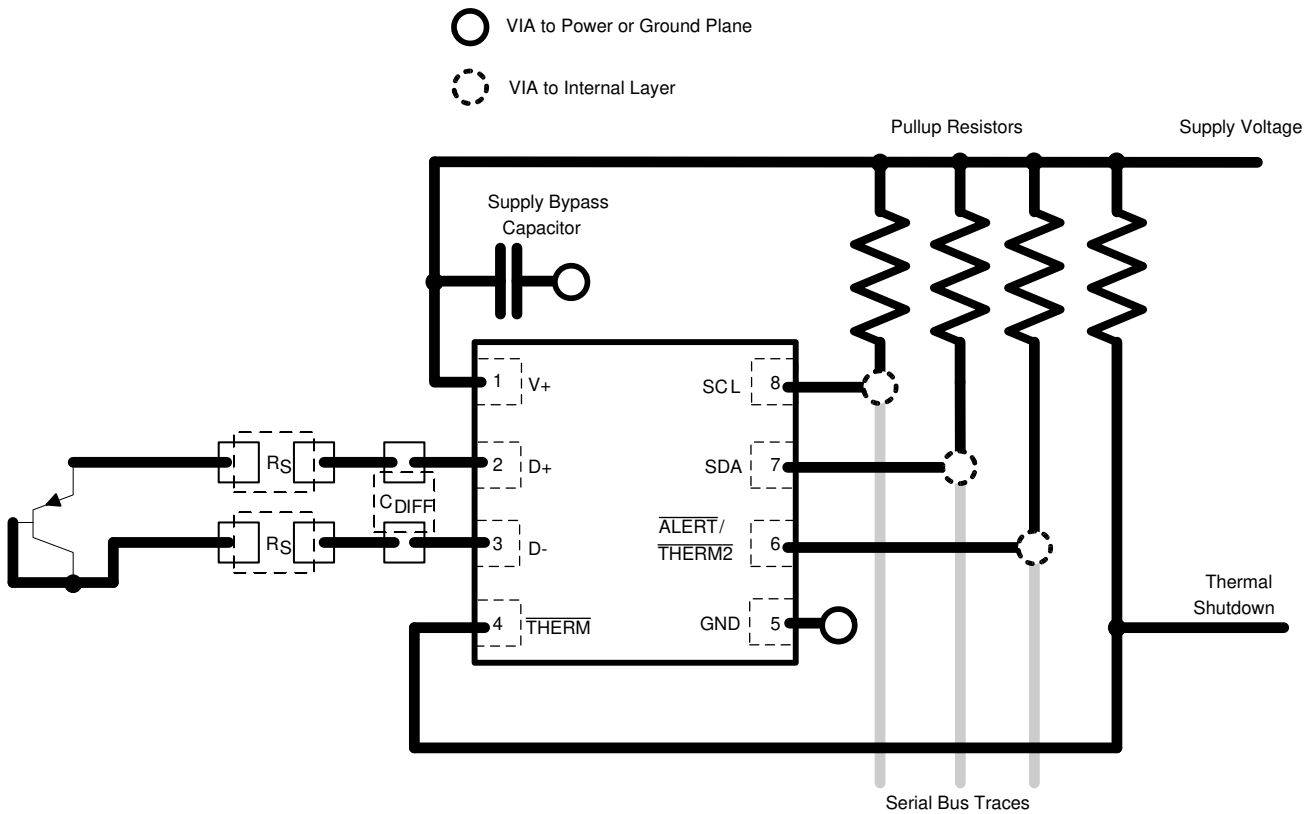


Figure 9-12. TMP411/TMP411D Device Layout (Equal I²C Pullup and Supply Voltage Application)

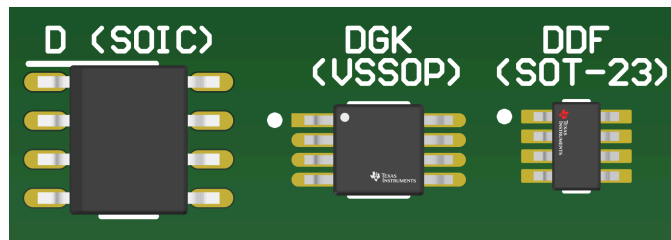


Figure 9-13. TMP411/TMP411D Different Package Sizes

10 Device and Documentation Support

10.1 Documentation Support

10.1.1 Related Documentation

- Texas Instruments, [Optimizing Remote Temperature Sensor Design](#), application note
- Texas Instruments, [TMP451 ±1°C Remote and Local Temperature Sensor With η-Factor and Offset Correction, Series-Resistance Cancellation, and Programmable Digital Filter](#), data sheet
- Texas Instruments, [TMP4718 High-Accuracy Remote and Local Temperature Sensor with Pin Programmable Alert Thresholds](#), data sheet
- Texas Instruments, [±1°C Remote and Local Temperature Sensor](#), data sheet
- Texas Instruments, [Remote Temperature Sensor Transistor Selection Guide](#), application note
- Texas Instruments, [TMP411 Evaluation Module](#), EVM

10.2 Receiving Notification of Documentation Updates

To receive notification of documentation updates, navigate to the device product folder on ti.com. Click on *Notifications* to register and receive a weekly digest of any product information that has changed. For change details, review the revision history included in any revised document.

10.3 Support Resources

[TI E2E™ support forums](#) are an engineer's go-to source for fast, verified answers and design help — straight from the experts. Search existing answers or ask your own question to get the quick design help you need.

Linked content is provided "AS IS" by the respective contributors. They do not constitute TI specifications and do not necessarily reflect TI's views; see TI's [Terms of Use](#).

10.4 Trademarks

TI E2E™ is a trademark of Texas Instruments.

All trademarks are the property of their respective owners.

10.5 Electrostatic Discharge Caution



This integrated circuit can be damaged by ESD. Texas Instruments recommends that all integrated circuits be handled with appropriate precautions. Failure to observe proper handling and installation procedures can cause damage.

ESD damage can range from subtle performance degradation to complete device failure. Precision integrated circuits may be more susceptible to damage because very small parametric changes could cause the device not to meet its published specifications.

10.6 Glossary

[TI Glossary](#) This glossary lists and explains terms, acronyms, and definitions.

11 Revision History

Changes from Revision D (August 2016) to Revision E (July 2025)

	Page
• Added TMP411D device throughout the document.....	1
• Updated the numbering format for tables, figures, and cross-references throughout the document.....	1
• Changed the terminology "Master" to "Controller" and "Slave" to "Target" throughout the document	1
• Updated the "Conversion time" throughout the document.....	1
• Changed the average and shutdown currents throughout the document.....	1
• Updated the maximum voltage ratings on D+/D- pins.....	6
• Updated the maximum voltage rating on pins 4, 6, 7, 8.....	6
• Updated the maximum voltage rating on V+ pin.....	6
• Added D and DGK packages "Thermal Information" for the New chip.....	6
• Added "Conversion time" for the New chip in Electrical Characteristics table.....	7
• Updated the typo for Hysteresis typical value from 500mV to 170mV.....	7
• Added "Logic input current" for the New chip in Electrical Characteristics table.....	7

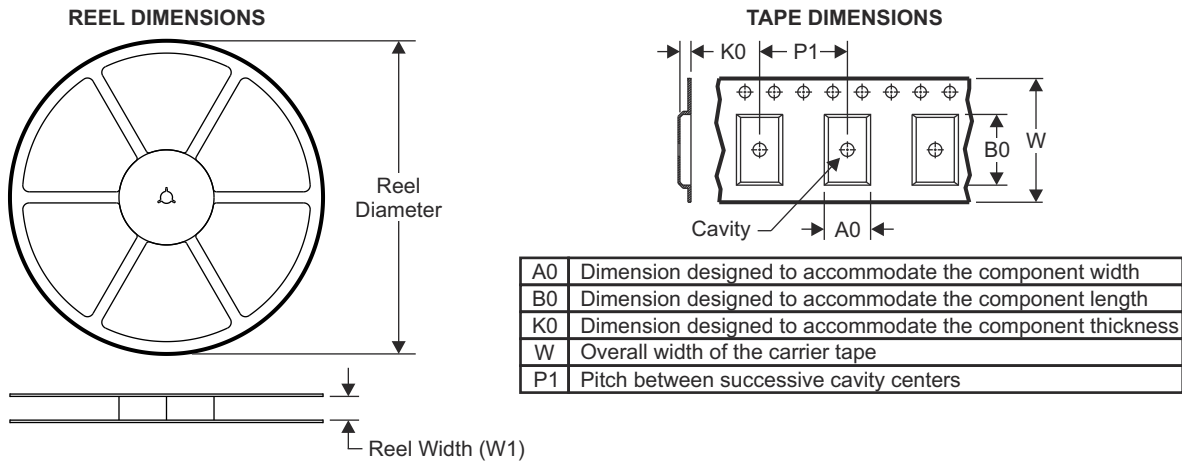
• Added "Output low voltage" for the New chip in Electrical Characteristics table.....	7
• Added "High-level output leakage current" for the New chip in Electrical Characteristics table.....	7
• Added "Quiescent current" for the New chip and all test conditions in the Electrical Characteristics table.....	7
• Updated the typo for $f_s=40\text{KHz}$ and changed to $f_s=400\text{KHz}$	7
• Removed limitation on Undervoltage lockout.....	7
• Added "Power-on-reset threshold" for the New chip in the Electrical Characteristics table.....	7
• Added Brownout detect value in the <i>Electrical Characteristics</i> table.....	7
• Changed t(SUDAT) in High-Speed Mode from 10ns to 20ns for the New chip.....	11
• Added "Typical Characteristics (TMP411)" graphs for the New chip.....	12
• Updated the <i>Basic Connections</i> figure in the <i>Overview</i> section.....	19
• Updated the <i>Functional Block Diagram</i> and <i>Simplified Block Diagrams</i>	20
• Updated the <i>Undervoltage Lockout</i> section due to Undervoltage lockout voltage removal by POR in the New chip.....	23
• Added clarification to <i>Shutdown Mode (SD)</i> section to match actual silicon behavior	24
• Updated the <i>Status Register</i> section due to Undervoltage lockout voltage removal by POR in the New chip.....	33
• Added D+ waveform in the Design Requirements section.....	41
• Updated <i>Detailed Design Procedure</i> section.....	42
• Added <i>Documentation Support</i> and <i>Related Documentation</i> sections.....	46

Changes from Revision C (May 2008) to Revision D (August 2016)	Page
• Added "Offset Registers for System Calibration" and "Pin and Registers Compatible With ADT7461 and ADM1032" to <i>Features</i> section	1
• Kept VSSOP as a package option in <i>Device Information</i> table to match POA and eMSG information.....	1
• Changed "MSOP-8" to "VSSOP-8" throughout document	1
• Added package designators to pinout images in <i>Pin Configurations and Functions</i> section	5
• Added <i>Functional Block Diagram</i>	20
• Added <i>Timing Diagrams</i> section	25
• Added <i>Power Supply Recommendations</i> information	44

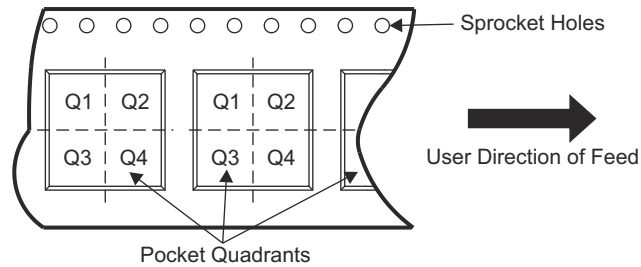
12 Mechanical, Packaging, and Orderable Information

The following pages include mechanical, packaging, and orderable information. This information is the most current data available for the designated devices. This data is subject to change without notice and revision of this document. For browser-based versions of this data sheet, refer to the left-hand navigation.

12.1 Tape and Reel Information

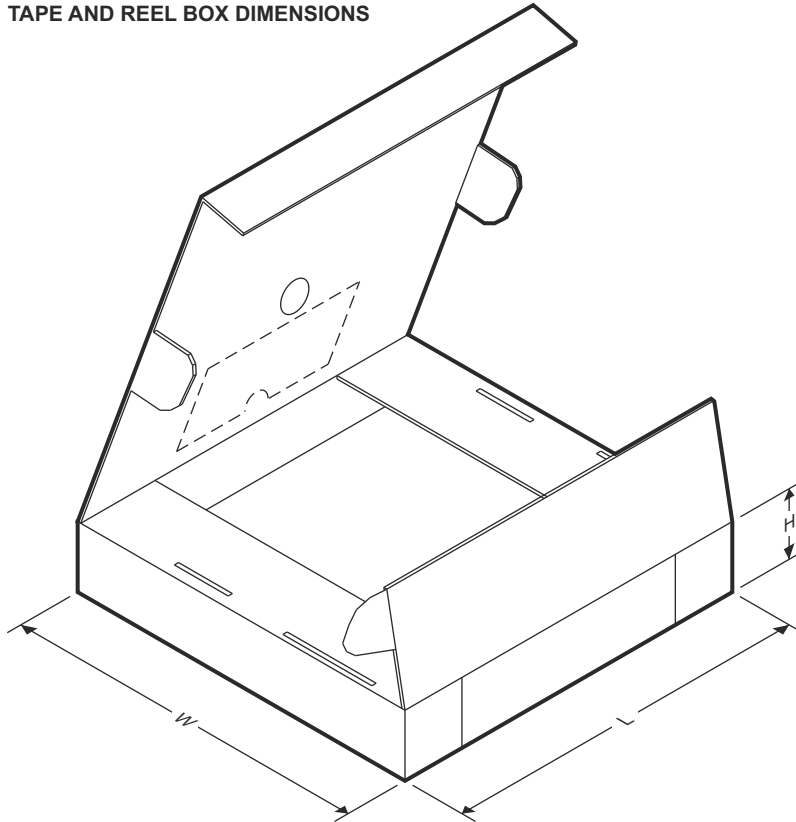


QUADRANT ASSIGNMENTS FOR PIN 1 ORIENTATION IN TAPE



Device	Package Type	Package Drawing	Pins	SPQ	Reel Diameter (mm)	Reel Width W1 (mm)	A0 (mm)	B0 (mm)	K0 (mm)	P1 (mm)	W (mm)	Pin1 Quadrant
TMP411ADGKR	VSSOP	DGK	8	2500	330	12.4	5.3	3.3	1.3	8	12	Q1
TMP411ADGKR	VSSOP	DGK	8	2500	330	12.4	5.3	3.4	1.4	8	12	Q1
TMP411ADR	SOIC	D	8	2500	330	12.4	6.4	5.2	2.1	8	12	Q1
TMP411BDGKR	VSSOP	DGK	8	2500	330	12.4	5.3	3.4	1.4	8	12	Q1
TMP411BDGKR	VSSOP	DGK	8	2500	330	12.4	5.3	3.3	1.3	8	12	Q1
TMP411BDR	SOIC	D	8	2500	330	12.4	6.4	5.2	2.1	8	12	Q1
TMP411CDGKR	VSSOP	DGK	8	2500	330	12.4	5.3	3.4	1.4	8	12	Q1
TMP411CDR	SOIC	D	8	2500	330	12.4	6.4	5.2	2.1	8	12	Q1
TMP411EDGKR	VSSOP	DGK	8	2500	330	12.4	5.3	3.4	1.4	8	12	Q1

TAPE AND REEL BOX DIMENSIONS



Device	Package Type	Package Drawing	Pins	SPQ	Length (mm)	Width (mm)	Height (mm)
TMP411ADGKR	VSSOP	DGK	8	2500	367	367	38
TMP411ADGKR	VSSOP	DGK	8	2500	366	364	50
TMP411ADR	SOIC	D	8	2500	356	356	35
TMP411BDGKR	VSSOP	DGK	8	2500	366	364	50
TMP411BDGKR	VSSOP	DGK	8	2500	367	367	38
TMP411BDR	SOIC	D	8	2500	356	356	35
TMP411CDGKR	VSSOP	DGK	8	2500	366	364	50
TMP411CDR	SOIC	D	8	2500	356	356	35
TMP411EDGKR	VSSOP	DGK	8	2500	366	364	50

PACKAGING INFORMATION

Orderable part number	Status (1)	Material type (2)	Package Pins	Package qty Carrier	RoHS (3)	Lead finish/ Ball material (4)	MSL rating/ Peak reflow (5)	Op temp (°C)	Part marking (6)
TMP411AD	Obsolete	Production	SOIC (D) 8	-	-	Call TI	Call TI	-40 to 125	T411A
TMP411ADGKR	Active	Production	VSSOP (DGK) 8	2500 LARGE T&R	Yes	NIPDAU NIPDAUAG	Level-2-260C-1 YEAR	-40 to 125	411A
TMP411ADGKR.A	Active	Production	VSSOP (DGK) 8	2500 LARGE T&R	Yes	NIPDAU	Level-2-260C-1 YEAR	-40 to 125	411A
TMP411ADGKR.B	Active	Production	VSSOP (DGK) 8	2500 LARGE T&R	Yes	NIPDAU	Level-2-260C-1 YEAR	-40 to 125	411A
TMP411ADR	Active	Production	SOIC (D) 8	2500 LARGE T&R	Yes	NIPDAU	Level-2-260C-1 YEAR	-40 to 125	T411A
TMP411ADR.A	Active	Production	SOIC (D) 8	2500 LARGE T&R	Yes	NIPDAU	Level-2-260C-1 YEAR	-40 to 125	T411A
TMP411BD	Obsolete	Production	SOIC (D) 8	-	-	Call TI	Call TI	-40 to 125	T411B
TMP411BDGKR	Active	Production	VSSOP (DGK) 8	2500 LARGE T&R	Yes	NIPDAU NIPDAUAG	Level-2-260C-1 YEAR	-40 to 125	411B
TMP411BDGKR.A	Active	Production	VSSOP (DGK) 8	2500 LARGE T&R	Yes	NIPDAU	Level-2-260C-1 YEAR	-40 to 125	411B
TMP411BDGKR.B	Active	Production	VSSOP (DGK) 8	2500 LARGE T&R	Yes	NIPDAU	Level-2-260C-1 YEAR	-40 to 125	411B
TMP411BDR	Active	Production	SOIC (D) 8	2500 LARGE T&R	Yes	NIPDAU	Level-2-260C-1 YEAR	-40 to 125	T411B
TMP411BDR.A	Active	Production	SOIC (D) 8	2500 LARGE T&R	Yes	NIPDAU	Level-2-260C-1 YEAR	-40 to 125	T411B
TMP411CD	Obsolete	Production	SOIC (D) 8	-	-	Call TI	Call TI	-40 to 125	T411C
TMP411CDGKR	Active	Production	VSSOP (DGK) 8	2500 LARGE T&R	Yes	NIPDAUAG	Level-2-260C-1 YEAR	-40 to 125	411C
TMP411CDGKR.A	Active	Production	VSSOP (DGK) 8	2500 LARGE T&R	Yes	NIPDAUAG	Level-2-260C-1 YEAR	-40 to 125	411C
TMP411CDGKR.B	Active	Production	VSSOP (DGK) 8	2500 LARGE T&R	Yes	NIPDAUAG	Level-2-260C-1 YEAR	-40 to 125	411C
TMP411CDGKT	Obsolete	Production	VSSOP (DGK) 8	-	-	Call TI	Call TI	-40 to 125	411C
TMP411CDR	Active	Production	SOIC (D) 8	2500 LARGE T&R	Yes	NIPDAU	Level-2-260C-1 YEAR	-40 to 125	T411C
TMP411CDR.A	Active	Production	SOIC (D) 8	2500 LARGE T&R	Yes	NIPDAU	Level-2-260C-1 YEAR	-40 to 125	T411C
TMP411CDR.B	Active	Production	SOIC (D) 8	2500 LARGE T&R	Yes	NIPDAU	Level-2-260C-1 YEAR	-40 to 125	T411C
TMP411DADDFR	Active	Production	SOT-23-THIN (DDF) 8	3000 LARGE T&R	Yes	NIPDAU	Level-1-260C-UNLIM	-40 to 125	3M7F
TMP411DBDDFR	Active	Production	SOT-23-THIN (DDF) 8	3000 LARGE T&R	Yes	NIPDAU	Level-1-260C-UNLIM	-40 to 125	3LJF
TMP411DCDDFR	Active	Production	SOT-23-THIN (DDF) 8	3000 LARGE T&R	Yes	NIPDAU	Level-1-260C-UNLIM	-40 to 125	3M8F
TMP411DEDDFR	Active	Production	SOT-23-THIN (DDF) 8	3000 LARGE T&R	Yes	NIPDAU	Level-1-260C-UNLIM	-40 to 125	3MAF
TMP411EDGKR	Active	Production	VSSOP (DGK) 8	2500 LARGE T&R	Yes	NIPDAU NIPDAUAG	Level-2-260C-1 YEAR	-40 to 125	411E
TMP411EDGKR.A	Active	Production	VSSOP (DGK) 8	2500 LARGE T&R	Yes	NIPDAU	Level-2-260C-1 YEAR	-40 to 125	411E
TMP411EDGKR.B	Active	Production	VSSOP (DGK) 8	2500 LARGE T&R	Yes	NIPDAU	Level-2-260C-1 YEAR	-40 to 125	411E
TMP411EDGKT	Obsolete	Production	VSSOP (DGK) 8	-	-	Call TI	Call TI	-40 to 125	411E

(1) **Status:** For more details on status, see our [product life cycle](#).

(2) **Material type:** When designated, preproduction parts are prototypes/experimental devices, and are not yet approved or released for full production. Testing and final process, including without limitation quality assurance, reliability performance testing, and/or process qualification, may not yet be complete, and this item is subject to further changes or possible discontinuation. If available for ordering, purchases will be subject to an additional waiver at checkout, and are intended for early internal evaluation purposes only. These items are sold without warranties of any kind.

(3) **RoHS values:** Yes, No, RoHS Exempt. See the [TI RoHS Statement](#) for additional information and value definition.

(4) **Lead finish/Ball material:** Parts may have multiple material finish options. Finish options are separated by a vertical ruled line. Lead finish/Ball material values may wrap to two lines if the finish value exceeds the maximum column width.

(5) **MSL rating/Peak reflow:** The moisture sensitivity level ratings and peak solder (reflow) temperatures. In the event that a part has multiple moisture sensitivity ratings, only the lowest level per JEDEC standards is shown. Refer to the shipping label for the actual reflow temperature that will be used to mount the part to the printed circuit board.

(6) **Part marking:** There may be an additional marking, which relates to the logo, the lot trace code information, or the environmental category of the part.

Multiple part markings will be inside parentheses. Only one part marking contained in parentheses and separated by a "-" will appear on a part. If a line is indented then it is a continuation of the previous line and the two combined represent the entire part marking for that device.

Important Information and Disclaimer: The information provided on this page represents TI's knowledge and belief as of the date that it is provided. TI bases its knowledge and belief on information provided by third parties, and makes no representation or warranty as to the accuracy of such information. Efforts are underway to better integrate information from third parties. TI has taken and continues to take reasonable steps to provide representative and accurate information but may not have conducted destructive testing or chemical analysis on incoming materials and chemicals. TI and TI suppliers consider certain information to be proprietary, and thus CAS numbers and other limited information may not be available for release.

In no event shall TI's liability arising out of such information exceed the total purchase price of the TI part(s) at issue in this document sold by TI to Customer on an annual basis.

OTHER QUALIFIED VERSIONS OF TMP411, TMP411D :

- Automotive : [TMP411-Q1](#), [TMP411D-Q1](#)

NOTE: Qualified Version Definitions:

- Automotive - Q100 devices qualified for high-reliability automotive applications targeting zero defects

DGK0008A



PACKAGE OUTLINE

VSSOP - 1.1 mm max height

SMALL OUTLINE PACKAGE



4214862/A 04/2023

NOTES:

PowerPAD is a trademark of Texas Instruments.

- 1. All linear dimensions are in millimeters. Any dimensions in parenthesis are for reference only. Dimensioning and tolerancing per ASME Y14.5M.
- 2. This drawing is subject to change without notice.
- 3. This dimension does not include mold flash, protrusions, or gate burrs. Mold flash, protrusions, or gate burrs shall not exceed 0.15 mm per side.
- 4. This dimension does not include interlead flash. Interlead flash shall not exceed 0.25 mm per side.
- 5. Reference JEDEC registration MO-187.

EXAMPLE BOARD LAYOUT

DGK0008A

™ VSSOP - 1.1 mm max height

SMALL OUTLINE PACKAGE



LAND PATTERN EXAMPLE
EXPOSED METAL SHOWN
SCALE: 15X



SOLDER MASK DETAILS

4214862/A 04/2023

NOTES: (continued)

6. Publication IPC-7351 may have alternate designs.
7. Solder mask tolerances between and around signal pads can vary based on board fabrication site.
8. Vias are optional depending on application, refer to device data sheet. If any vias are implemented, refer to their locations shown on this view. It is recommended that vias under paste be filled, plugged or tented.
9. Size of metal pad may vary due to creepage requirement.

EXAMPLE STENCIL DESIGN

DGK0008A

TM VSSOP - 1.1 mm max height

SMALL OUTLINE PACKAGE



SOLDER PASTE EXAMPLE
SCALE: 15X

4214862/A 04/2023

NOTES: (continued)

11. Laser cutting apertures with trapezoidal walls and rounded corners may offer better paste release. IPC-7525 may have alternate design recommendations.
12. Board assembly site may have different recommendations for stencil design.

DDF0008A



PACKAGE OUTLINE

SOT-23-THIN - 1.1 mm max height

PLASTIC SMALL OUTLINE



4222047/E 07/2024

NOTES:

1. All linear dimensions are in millimeters. Any dimensions in parenthesis are for reference only. Dimensioning and tolerancing per ASME Y14.5M.
2. This drawing is subject to change without notice.
3. This dimension does not include mold flash, protrusions, or gate burrs. Mold flash, protrusions, or gate burrs shall not exceed 0.15 mm per side.

EXAMPLE BOARD LAYOUT

DDF0008A

SOT-23-THIN - 1.1 mm max height

PLASTIC SMALL OUTLINE



LAND PATTERN EXAMPLE
EXPOSED METAL SHOWN
SCALE:15X



SOLDER MASK DETAILS

4222047/E 07/2024

NOTES: (continued)

- 4. Publication IPC-7351 may have alternate designs.
- 5. Solder mask tolerances between and around signal pads can vary based on board fabrication site.

EXAMPLE STENCIL DESIGN

DDF0008A

SOT-23-THIN - 1.1 mm max height

PLASTIC SMALL OUTLINE



SOLDER PASTE EXAMPLE
BASED ON 0.125 mm THICK STENCIL
SCALE:15X

4222047/E 07/2024

NOTES: (continued)

6. Laser cutting apertures with trapezoidal walls and rounded corners may offer better paste release. IPC-7525 may have alternate design recommendations.
7. Board assembly site may have different recommendations for stencil design.

EXAMPLE BOARD LAYOUT

D0008A

SOIC - 1.75 mm max height

SMALL OUTLINE INTEGRATED CIRCUIT



LAND PATTERN EXAMPLE
 EXPOSED METAL SHOWN
 SCALE:8X



SOLDER MASK DETAILS

4214825/C 02/2019

NOTES: (continued)

- 6. Publication IPC-7351 may have alternate designs.
- 7. Solder mask tolerances between and around signal pads can vary based on board fabrication site.

EXAMPLE STENCIL DESIGN

D0008A

SOIC - 1.75 mm max height

SMALL OUTLINE INTEGRATED CIRCUIT



SOLDER PASTE EXAMPLE
BASED ON .005 INCH [0.125 MM] THICK STENCIL
SCALE:8X

4214825/C 02/2019

NOTES: (continued)

8. Laser cutting apertures with trapezoidal walls and rounded corners may offer better paste release. IPC-7525 may have alternate design recommendations.
9. Board assembly site may have different recommendations for stencil design.

IMPORTANT NOTICE AND DISCLAIMER

TI PROVIDES TECHNICAL AND RELIABILITY DATA (INCLUDING DATASHEETS), DESIGN RESOURCES (INCLUDING REFERENCE DESIGNS), APPLICATION OR OTHER DESIGN ADVICE, WEB TOOLS, SAFETY INFORMATION, AND OTHER RESOURCES "AS IS" AND WITH ALL FAULTS, AND DISCLAIMS ALL WARRANTIES, EXPRESS AND IMPLIED, INCLUDING WITHOUT LIMITATION ANY IMPLIED WARRANTIES OF MERCHANTABILITY, FITNESS FOR A PARTICULAR PURPOSE OR NON-INFRINGEMENT OF THIRD PARTY INTELLECTUAL PROPERTY RIGHTS.

These resources are intended for skilled developers designing with TI products. You are solely responsible for (1) selecting the appropriate TI products for your application, (2) designing, validating and testing your application, and (3) ensuring your application meets applicable standards, and any other safety, security, regulatory or other requirements.

These resources are subject to change without notice. TI grants you permission to use these resources only for development of an application that uses the TI products described in the resource. Other reproduction and display of these resources is prohibited. No license is granted to any other TI intellectual property right or to any third party intellectual property right. TI disclaims responsibility for, and you fully indemnify TI and its representatives against any claims, damages, costs, losses, and liabilities arising out of your use of these resources.

TI's products are provided subject to [TI's Terms of Sale](#), [TI's General Quality Guidelines](#), or other applicable terms available either on ti.com or provided in conjunction with such TI products. TI's provision of these resources does not expand or otherwise alter TI's applicable warranties or warranty disclaimers for TI products. Unless TI explicitly designates a product as custom or customer-specified, TI products are standard, catalog, general purpose devices.

TI objects to and rejects any additional or different terms you may propose.

Copyright © 2026, Texas Instruments Incorporated

Last updated 10/2025