

TPS22976 5.7-V, 6-A, 14-mΩ On-Resistance Dual-Channel Load Switch

1 Features

- Integrated dual-channel load switch
- Input voltage range: 0.6 V to V_{BIAS}
- V_{BIAS} voltage range: 2.5 V to 5.7 V
- On-resistance
 - $R_{ON} = 14\text{ m}\Omega$ (typical) at $V_{IN} = 0.6\text{ V}$ to 5 V, $V_{BIAS} = 5\text{ V}$
 - $R_{ON} = 18\text{ m}\Omega$ (typical) at $V_{IN} = 0.6\text{ V}$ to 2.5 V, $V_{BIAS} = 2.5\text{ V}$
- 6-A maximum continuous switch current per channel
- Quiescent current for TPS22976, TPS22976N
 - 37 μA (typical, both channels) at $V_{IN} = V_{BIAS} = 5\text{ V}$
 - 35 μA (typical, single channel) at $V_{IN} = V_{BIAS} = 5\text{ V}$
- Quiescent current for TPS22976A
 - 85 μA (typical, both channels) at $V_{IN} = V_{BIAS} = 5\text{ V}$
 - 83 μA (typical, single channel) at $V_{IN} = V_{BIAS} = 5\text{ V}$
- Control input threshold enables use of 1.2-, 1.8-, 2.5-, and 3.3-V logic
- Configurable rise time
- Fast turn ON time (TPS22976A)
 - $t_{ON} = 17\mu\text{s}$ at $V_{IN} = 1.05\text{V}$
- Thermal shutdown
- Quick Output Discharge (QOD) (optional)
- SON 14-pin package with thermal pad
- ESD performance tested per JESD 22
 - 2-kV HBM and 1-kV CDM

2 Applications

- [PC and notebooks](#)
- [Set-top boxes and residential gateways](#)
- [Telecom systems](#)
- [Solid-state drives \(SSD\)](#)

3 Description

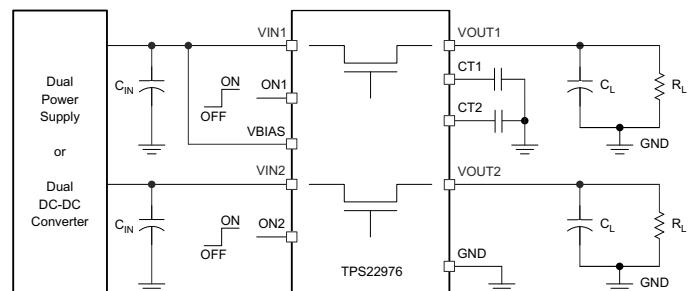
The TPS22976 product family consists of three devices: TPS22976, TPS22976A and TPS22976N. Each device is a dual-channel load switch with controlled turnon. The device contains two N-channel MOSFETs that can operate over an input voltage range of 0.6 V to 5.7 V, and can support a maximum continuous current of 6 A per channel. Each switch is independently controlled by an on and off input (ON1 and ON2), which can interface directly with low-voltage control signals. The TPS22976 is capable of thermal shutdown when the junction temperature is above the threshold, turning the switch off. The switch turns on again when the junction temperature stabilizes to a safe range. The TPS22976 also offers an optional integrated 230-Ω on-chip load resistor for quick output discharge when the switch is turned off.

The TPS22976 is available in a small, space-saving 3-mm × 2-mm 14-SON package (DPU) with integrated thermal pad allowing for high power dissipation. The device is characterized for operation over the free-air temperature range of -40°C to 105°C .

Device Information⁽¹⁾

PART NUMBER	PACKAGE	BODY SIZE (NOM)
TPS22976 TPS22976A TPS22976N	WSON (14)	3.00 mm × 2.00 mm

(1) For all available packages, see the orderable addendum at the end of the data sheet.



Copyright © 2016, Texas Instruments Incorporated

Application Circuit



Table of Contents

1 Features	1	8.1 Overview.....	21
2 Applications	1	8.2 Functional Block Diagram.....	22
3 Description	1	8.3 Feature Description.....	22
4 Device Comparison Table	3	8.4 Device Functional Modes.....	23
5 Pin Configuration and Functions	3	9 Application and Implementation	24
Pin Functions.....	3	9.1 Application Information.....	24
6 Specifications	4	9.2 Typical Application.....	26
6.1 Absolute Maximum Ratings.....	4	9.3 Power Supply Recommendations.....	29
6.2 ESD Ratings.....	4	9.4 Layout.....	29
6.3 Recommended Operating Conditions.....	4	10 Device and Documentation Support	30
6.4 Thermal Information.....	4	10.1 Device Support.....	30
6.5 Electrical Characteristics (VBIAS = 5V).....	5	10.2 Documentation Support.....	30
6.6 Electrical Characteristics (VBIAS = 2.5V).....	7	10.3 Receiving Notification of Documentation Updates..	30
6.7 Switching Characteristics (TPS22976).....	8	10.4 Support Resources.....	30
6.8 Switching Characteristics (TPS22976A)	10	10.5 Trademarks.....	30
6.9 Switching Characteristics (TPS22976N).....	10	10.6 Electrostatic Discharge Caution.....	30
6.10 Typical DC Characteristics.....	12	10.7 Glossary.....	30
6.11 Typical AC Characteristics.....	15	11 Revision History	30
7 Parameter Measurement Information	20	12 Mechanical, Packaging, and Orderable Information	31
8 Detailed Description	21		

4 Device Comparison Table

DEVICE	R _{ON} AT V _{IN} = V _{BIAS} = 5 V (TYPICAL)	QUICK OUTPUT DISCHARGE	MAXIMUM OUTPUT CURRENT	TURN ON TIME <65µs AT V _{IN} = 1.05V
TPS22976	16 mΩ	Yes	6 A	No
TPS22976A	14 mΩ	Yes	6 A	Yes
TPS22976N	14 mΩ	No	6 A	No

5 Pin Configuration and Functions

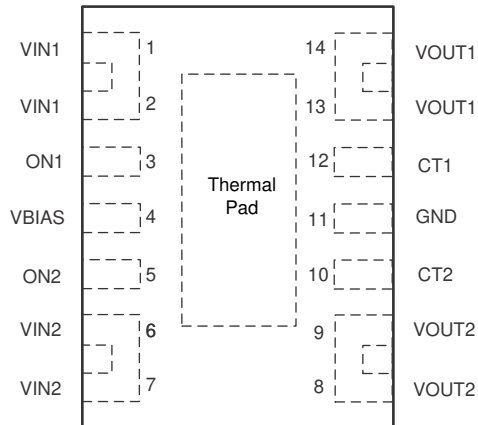


Figure 5-1. DPU Package 14-Pin WSON with Exposed Thermal Pad Top View

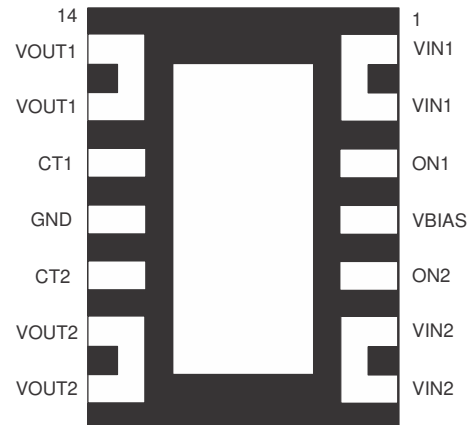


Figure 5-2. DPU Package 14-Pin WSON with Exposed Thermal Pad Bottom View

Pin Functions

PIN		I/O	DESCRIPTION
NO.	NAME		
1	VIN1	I	Switch 1 input. Recommended voltage range for these pins for optimal R _{ON} performance is 0.6 V to V _{BIAS} . Place an optional decoupling capacitor between these pins and GND to reduce V _{IN1} dip during turnon of the channel. See the Application Information section for more information.
2			
3	ON1	I	Active-high switch 1 control input. Do not leave floating.
4	VBIAS	I	Bias voltage. Power supply to the device. Recommended voltage range for this pin is 2.5 V to 5.7 V. See the Application Information section.
5	ON2	I	Active-high switch 2 control input. Do not leave floating.
6	VIN2	I	Switch 2 input. Recommended voltage range for these pins for optimal R _{ON} performance is 0.6 V to V _{BIAS} . Place an optional decoupling capacitor between these pins and GND to reduce V _{IN2} dip during turn-on of the channel. See the Application Information section for more information.
7			
8	VOUT2	O	Switch 2 output.
9			
10	CT2	O	Switch 2 slew rate control. Can be left floating. Capacitor used on this pin must be rated for a minimum of 25 V for desired rise time performance.
11	GND	—	Ground.
12	CT1	O	Switch 1 slew rate control. Can be left floating. Capacitor used on this pin must be rated for a minimum of 25 V for desired rise time performance.
13	VOUT1	O	Switch 1 output.
14			
—	Thermal pad	—	Thermal pad (exposed center pad) to alleviate thermal stress. Tie to GND. See the Layout section for layout guidelines.

6 Specifications

6.1 Absolute Maximum Ratings

over operating free-air temperature range (unless otherwise noted)⁽¹⁾

		MIN	MAX	UNIT
V _{IN1,2}	Input Voltage	-0.3	6	V
V _{OUT1,2}	Output Voltage	-0.3	6	V
V _{ON1,2}	ON Pin Voltage	-0.3	6	V
V _{BIAS}	Bias Voltage	-0.3	6	V
I _{MAX}	Maximum continuous current per channel		6	A
I _{MAX,PLS}	Maximum pulsed current switch per channel, pulse <300µs, 3% duty cycle		8	A
T _J	Junction temperature		125	°C
T _{stg}	Storage temperature	-65	150	°C

- (1) Stresses beyond those listed under *Absolute Maximum Rating* may cause permanent damage to the device. These are stress ratings only, which do not imply functional operation of the device at these or any other conditions beyond those indicated under *Recommended Operating Condition*. Exposure to absolute-maximum-rated conditions for extended periods may affect device reliability.

6.2 ESD Ratings

			VALUE	UNIT
V _(ESD)	Electrostatic discharge	Human body model (HBM), per ANSI/ESDA/ JEDEC JS-001, all pins ⁽¹⁾	±2000	V
		Charged device model (CDM), per JEDEC specification JESD22-C101, all pins ⁽²⁾	±1000	

- (1) JEDEC document JEP155 states that 500-V HBM allows safe manufacturing with a standard ESD control process.

- (2) JEDEC document JEP157 states that 250-V CDM allows safe manufacturing with a standard ESD control process.

6.3 Recommended Operating Conditions

over operating free-air temperature range (unless otherwise noted)

		MIN	NOM	MAX	UNIT
V _{IN1,2}	Input Voltage	0.6		V _{BIAS}	V
V _{BIAS}	Bias Voltage	2.5		5.7	V
V _{ON1,2}	ON Pin Voltage	0		5.7	V
V _{OUT1,2}	Output Voltage	0		V _{IN}	V
V _{IH}	High-Level Input Voltage, ON	1.2		5.7	V
V _{IL}	Low-Level Input Voltage, ON	0		0.5	V
T _A	Ambient Temperature	-40		105	°C

6.4 Thermal Information

	THERMAL METRIC ⁽¹⁾	TPS22976		UNIT
		DPU (WSON)		
		14 PINS		
R _{θJA}	Junction-to-ambient thermal resistance	50.8		°C/W
R _{θJC(top)}	Junction-to-case (top) thermal resistance	52.3		°C/W
R _{θJB}	Junction-to-board thermal resistance	18.4		°C/W
Ψ _{JT}	Junction-to-top characterization parameter	1.6		°C/W
Ψ _{JB}	Junction-to-board characterization parameter	18.6		°C/W

6.4 Thermal Information (continued)

THERMAL METRIC ⁽¹⁾		TPS22976	UNIT
		DPU (WSON)	
		14 PINS	
$R_{\theta JC(bot)}$	Junction-to-case (bottom) thermal resistance	6.5	°C/W

(1) For more information about traditional and new thermal metrics, see the [Semiconductor and IC Package Thermal Metrics](#) application report.

6.5 Electrical Characteristics (VBIAS = 5V)

over operating free-air temperature range (unless otherwise noted)

PARAMETER		TEST CONDITIONS	T_A	MIN	TYP	MAX	UNIT
Power Supplies and Currents							
$I_{Q,VBIAS}$	V_{BIAS} Quiescent Current (TPS22976, both channels)	$I_{OUT1} = I_{OUT2} = 0mA, V_{IN1,2} = V_{ON1,2} = 5V$	-40°C to 85°C	37	49		μA
			-40°C to 105°C		49		μA
	V_{BIAS} Quiescent Current (TPS22976, single-channel)	$I_{OUT1} = I_{OUT2} = 0mA, V_{ON2} = 0V, V_{IN1,2} = V_{IN1} = 5V$	-40°C to 85°C	35	43		μA
			-40°C to 105°C		44		μA
$I_{Q,VBIAS}$	V_{BIAS} Quiescent Current (TPS22976A, both channels)	$I_{OUT1} = I_{OUT2} = 0mA, V_{IN1,2} = V_{ON1,2} = 5V$	-40°C to 85°C	85	106		μA
			-40°C to 105°C		106		μA
	V_{BIAS} Quiescent Current (TPS22976A, single-channel)	$I_{OUT1} = I_{OUT2} = 0mA, V_{ON2} = 0V, V_{IN1,2} = V_{IN1} = 5V$	-40°C to 85°C	83	102		μA
			-40°C to 105°C		102		μA
$I_{Q,VBIAS}$	V_{BIAS} Quiescent Current (TPS22976N, both channels)	$I_{OUT1} = I_{OUT2} = 0mA, V_{IN1,2} = V_{ON1,2} = 5V$	-40°C to 85°C	37	48		μA
			-40°C to 105°C		49		μA
	V_{BIAS} Quiescent Current (TPS22976N, single-channel)	$I_{OUT1} = I_{OUT2} = 0mA, V_{ON2} = 0V, V_{IN1,2} = V_{IN1} = 5V$	-40°C to 85°C	35	43		μA
			-40°C to 105°C		44		μA
$I_{SD,VBIAS}$	V_{BIAS} Shutdown Current	$V_{ON1,2} = 0V, V_{OUT1,2} = 0V$	-40°C to 105°C	1.37	2.3		μA
$I_{SD,VIN}$	V_{IN} Shutdown Current (per channel)	$V_{ON} = 0V, V_{OUT} = 0V$	$V_{IN} = 5V$	-40°C to 85°C	0.005	5.5	μA
				-40°C to 105°C		11.3	μA
			$V_{IN} = 3.3V$	-40°C to 85°C	0.002	1.4	μA
				-40°C to 105°C		3.4	μA
			$V_{IN} = 1.8V$	-40°C to 85°C	0.002	0.5	μA
				-40°C to 105°C		1.4	μA
			$V_{IN} = 0.6V$	-40°C to 85°C	0.001	0.3	μA
				-40°C to 105°C		0.8	μA
I_{ON}	ON Pin Leakage Current	$V_{ON} = 5.5V$	-40°C to 105°C		0.1	μA	

6.5 Electrical Characteristics (VBIAS = 5V) (continued)

over operating free-air temperature range (unless otherwise noted)

PARAMETER		TEST CONDITIONS		T _A	MIN	TYP	MAX	UNIT
R _{ON}	On-Resistance (TPS22976)	I _{OUT} = -200mA	V _{IN} = 5V	25°C	16	18		mΩ
				-40°C to 85°C			22	mΩ
				-40°C to 105°C			23	mΩ
			V _{IN} = 3.3V	25°C	16	18		mΩ
				-40°C to 85°C			22	mΩ
				-40°C to 105°C			23	mΩ
			V _{IN} = 1.8V	25°C	16	18		mΩ
				-40°C to 85°C			22	mΩ
				-40°C to 105°C			23	mΩ
			V _{IN} = 1.2V	25°C	16	18		mΩ
				-40°C to 85°C			22	mΩ
				-40°C to 105°C			23	mΩ
			V _{IN} = 1.05V	25°C	16	18		mΩ
				-40°C to 85°C			22	mΩ
				-40°C to 105°C			23	mΩ
V _{IN} = 0.6V	25°C	14	18		mΩ			
	-40°C to 85°C			22	mΩ			
	-40°C to 105°C			23	mΩ			
Resistance Characteristics								
R _{ON}	On-Resistance (TPS22976A, TPS22976N)	I _{OUT} = -200mA	V _{IN} = 5V	25°C	14	18		mΩ
				-40°C to 85°C			22	mΩ
				-40°C to 105°C			23	mΩ
			V _{IN} = 3.3V	25°C	14	18		mΩ
				-40°C to 85°C			22	mΩ
				-40°C to 105°C			23	mΩ
			V _{IN} = 1.8V	25°C	14	18		mΩ
				-40°C to 85°C			22	mΩ
				-40°C to 105°C			23	mΩ
			V _{IN} = 1.2V	25°C	14	18		mΩ
				-40°C to 85°C			22	mΩ
				-40°C to 105°C			23	mΩ
			V _{IN} = 1.05V	25°C	14	18		mΩ
				-40°C to 85°C			22	mΩ
				-40°C to 105°C			23	mΩ
V _{IN} = 0.6V	25°C	14	18		mΩ			
	-40°C to 85°C			22	mΩ			
	-40°C to 105°C			23	mΩ			
V _{ON,HYS}	ON Pin Hysteresis	V _{IN} = 5V	25°C		90		mV	
R _{PD}	Output Pulldown Resistance	V _{IN} = V _{OUT} = 5V, V _{ON} = 0V	-40°C to 105°C		230	280	Ω	
T _{SD}	Thermal Shutdown	Junction Temperature Rising	-		160		°C	
T _{SD,HYS}	Thermal Shutdown Hysteresis	Junction Temperature Falling	-		20		°C	

6.6 Electrical Characteristics (VBIAS = 2.5V)

over operating free-air temperature range (unless otherwise noted)

PARAMETER		TEST CONDITIONS		T _A	MIN	TYP	MAX	UNIT			
Power Supplies and Currents											
I _{Q,VBIAS}	V _{BIAS} Quiescent Current (TPS22976, TPS22976N, both channels)	I _{OUT1} = I _{OUT2} = 0mA, V _{IN1,2} = V _{ON1,2} = 2.5V	-40°C to 85°C	15	20		μA				
			-40°C to 105°C			20	μA				
	V _{BIAS} Quiescent Current (TPS22976, TPS22976N, single-channel)	I _{OUT1} = I _{OUT2} = 0mA, V _{ON2} = 0V, V _{IN1,2} = V _{IN1} = 2.5V	-40°C to 85°C	14	19		μA				
			-40°C to 105°C			19	μA				
I _{Q,VBIAS}	V _{BIAS} Quiescent Current (TPS22976A, both channels)	I _{OUT1} = I _{OUT2} = 0mA, V _{IN1,2} = V _{ON1,2} = 2.5V	-40°C to 85°C	26	37		μA				
			-40°C to 105°C			37	μA				
	V _{BIAS} Quiescent Current (TPS22976A, single-channel)	I _{OUT1} = I _{OUT2} = 0mA, V _{ON2} = 0V, V _{IN1,2} = V _{IN1} = 2.5V	-40°C to 85°C	25	36		μA				
			-40°C to 105°C			36	μA				
I _{SD,VBIAS}	V _{BIAS} Shutdown Current	V _{ON1,2} = 0V, V _{OUT1,2} = 0V	-40°C to 105°C	0.58	1.1		μA				
I _{SD,VIN}	V _{IN} Shutdown Current (per channel)	V _{ON} = 0V, V _{OUT} = 0V	V _{IN} = 2.5V	-40°C to 85°C	0.005	0.8		μA			
				-40°C to 105°C			2.1	μA			
			V _{IN} = 1.8V	-40°C to 85°C	0.002	0.5		μA			
				-40°C to 105°C			1.4	μA			
			V _{IN} = 1.05V	-40°C to 85°C	0.002	0.3		μA			
				-40°C to 105°C			1	μA			
			V _{IN} = 0.6V	-40°C to 85°C	0.001	0.3		μA			
				-40°C to 105°C			0.8	μA			
I _{ON}	ON Pin Leakage Current	V _{ON} = 5.5V	-40°C to 105°C			0.1	μA				
R _{ON}	On-Resistance (TPS22976)	I _{OUT} = -200mA	V _{IN} = 2.5V	25°C	18	23		mΩ			
				-40°C to 85°C			28	mΩ			
				-40°C to 105°C			30	mΩ			
			V _{IN} = 1.8V	25°C	16	23		mΩ			
				-40°C to 85°C			28	mΩ			
				-40°C to 105°C			29	mΩ			
			V _{IN} = 1.5V	25°C	16	22		mΩ			
				-40°C to 85°C			27	mΩ			
				-40°C to 105°C			28	mΩ			
			V _{IN} = 1.2V	25°C	16	21		mΩ			
				-40°C to 85°C			26	mΩ			
				-40°C to 105°C			28	mΩ			
			V _{IN} = 1.05V	25°C	16	21		mΩ			
				-40°C to 85°C			25	mΩ			
				-40°C to 105°C			27	mΩ			
			V _{IN} = 0.6V	25°C	16	20		mΩ			
				-40°C to 85°C			25	mΩ			
				-40°C to 105°C			26	mΩ			
			Resistance Characteristics								

6.6 Electrical Characteristics (VBIAS = 2.5V) (continued)

over operating free-air temperature range (unless otherwise noted)

PARAMETER		TEST CONDITIONS	T _A	MIN	TYP	MAX	UNIT
R _{ON}	On-Resistance (TPS22976A, TPS22976N)	I _{OUT} = -200mA	V _{IN} = 2.5V	25°C	18	23	mΩ
				-40°C to 85°C		28	mΩ
				-40°C to 105°C		30	mΩ
			V _{IN} = 1.8V	25°C	16	23	mΩ
				-40°C to 85°C		28	mΩ
				-40°C to 105°C		29	mΩ
			V _{IN} = 1.5V	25°C	16	22	mΩ
				-40°C to 85°C		27	mΩ
				-40°C to 105°C		28	mΩ
			V _{IN} = 1.2V	25°C	16	21	mΩ
				-40°C to 85°C		26	mΩ
				-40°C to 105°C		28	mΩ
			V _{IN} = 1.05V	25°C	16	21	mΩ
				-40°C to 85°C		25	mΩ
				-40°C to 105°C		27	mΩ
V _{IN} = 0.6V	25°C	15	20	mΩ			
	-40°C to 85°C		25	mΩ			
	-40°C to 105°C		26	mΩ			
V _{ON,HYS}	ON Pin Hysteresis	V _{IN} = 2.5V	25°C	70		mV	
R _{PD}	Output Pulldown Resistance	V _{IN} = V _{OUT} = 2.5V, V _{ON} = 0V	-40°C to 105°C	250	330	Ω	
T _{SD}	Thermal Shutdown	Junction Temperature Rising	-	160		°C	
T _{SD,HYS}	Thermal Shutdown Hysteresis	Junction Temperature Falling	-	20		°C	

6.7 Switching Characteristics (TPS22976)

over operating free-air temperature range (unless otherwise noted)

PARAMETER		TEST CONDITIONS	MIN	TYP	MAX	UNIT
V_{IN} = V_{ON} = V_{BIAS} = 5V, T_A = 25°C						
t _{ON}	Turn ON Time	R _L = 10Ω, C _L = 0.1μF, C _T = 1000pF		2390		μs
t _{OFF}	Turn OFF Time	R _L = 10Ω, C _L = 0.1μF, C _T = 1000pF		3		μs
t _R	Rise Time	R _L = 10Ω, C _L = 0.1μF, C _T = 1000pF		1770		μs
t _F	Fall Time	R _L = 10Ω, C _L = 0.1μF, C _T = 1000pF		2		μs
t _D	Delay Time	R _L = 10Ω, C _L = 0.1μF, C _T = 1000pF		620		μs
V_{IN} = 0.6V, V_{ON} = V_{BIAS} = 5V, T_A = 25°C						
t _{ON}	Turn ON Time	R _L = 10Ω, C _L = 0.1μF, C _T = 1000pF		745		μs
t _{OFF}	Turn OFF Time	R _L = 10Ω, C _L = 0.1μF, C _T = 1000pF		3		μs
t _R	Rise Time	R _L = 10Ω, C _L = 0.1μF, C _T = 1000pF		285		μs
t _F	Fall Time	R _L = 10Ω, C _L = 0.1μF, C _T = 1000pF		2		μs
t _D	Delay Time	R _L = 10Ω, C _L = 0.1μF, C _T = 1000pF		460		μs
V_{IN} = 2.5V, V_{ON} = 5V, V_{BIAS} = 2.5V, T_A = 25°C						
t _{ON}	Turn ON Time	R _L = 10Ω, C _L = 0.1μF, C _T = 1000pF		3485		μs
t _{OFF}	Turn OFF Time	R _L = 10Ω, C _L = 0.1μF, C _T = 1000pF		2		μs
t _R	Rise Time	R _L = 10Ω, C _L = 0.1μF, C _T = 1000pF		2275		μs
t _F	Fall Time	R _L = 10Ω, C _L = 0.1μF, C _T = 1000pF		2		μs

6.7 Switching Characteristics (TPS22976) (continued)

over operating free-air temperature range (unless otherwise noted)

PARAMETER		TEST CONDITIONS	MIN	TYP	MAX	UNIT
t_D	Delay Time	$R_L = 10\Omega$, $C_L = 0.1\mu F$, $C_T = 1000pF$		1210		μs
VIN = 0.6V, VON = 5V, VBIAS = 2.5V, TA = 25°C						
t_{ON}	Turn ON Time	$R_L = 10\Omega$, $C_L = 0.1\mu F$, $C_T = 1000pF$		1730		μs
t_{OFF}	Turn OFF Time	$R_L = 10\Omega$, $C_L = 0.1\mu F$, $C_T = 1000pF$		2		μs
t_R	Rise Time	$R_L = 10\Omega$, $C_L = 0.1\mu F$, $C_T = 1000pF$		700		μs
t_F	Fall Time	$R_L = 10\Omega$, $C_L = 0.1\mu F$, $C_T = 1000pF$		2		μs
t_D	Delay Time	$R_L = 10\Omega$, $C_L = 0.1\mu F$, $C_T = 1000pF$		1030		μs
VIN = 1.05V, VON = VBIAS = 5V, TA = -40°C to 85°C						

6.8 Switching Characteristics (TPS22976A)

over operating free-air temperature range (unless otherwise noted)

PARAMETER		TEST CONDITIONS	MIN	TYP	MAX	UNIT
VIN = VON = VBIAS = 5V, TA = 25°C						
t _{ON}	Turn ON Time	R _L = 10Ω, C _L = 0.1μF, CT = 1000pF		350		μs
t _{OFF}	Turn OFF Time	R _L = 10Ω, C _L = 0.1μF, CT = 1000pF		2		μs
t _R	Rise Time	R _L = 10Ω, C _L = 0.1μF, CT = 1000pF		263		μs
t _F	Fall Time	R _L = 10Ω, C _L = 0.1μF, CT = 1000pF		2		μs
t _D	Delay Time	R _L = 10Ω, C _L = 0.1μF, CT = 1000pF		86		μs
VIN = 0.6V, VON = VBIAS = 5V, TA = 25°C						
t _{ON}	Turn ON Time	R _L = 10Ω, C _L = 0.1μF, CT = 1000pF		100		μs
t _{OFF}	Turn OFF Time	R _L = 10Ω, C _L = 0.1μF, CT = 1000pF		2		μs
t _R	Rise Time	R _L = 10Ω, C _L = 0.1μF, CT = 1000pF		41		μs
t _F	Fall Time	R _L = 10Ω, C _L = 0.1μF, CT = 1000pF		2		μs
t _D	Delay Time	R _L = 10Ω, C _L = 0.1μF, CT = 1000pF		58		μs
VIN = 2.5V, VON = 5V, VBIAS = 2.5V, TA = 25°C						
t _{ON}	Turn ON Time	R _L = 10Ω, C _L = 0.1μF, CT = 1000pF		612		μs
t _{OFF}	Turn OFF Time	R _L = 10Ω, C _L = 0.1μF, CT = 1000pF		3		μs
t _R	Rise Time	R _L = 10Ω, C _L = 0.1μF, CT = 1000pF		392		μs
t _F	Fall Time	R _L = 10Ω, C _L = 0.1μF, CT = 1000pF		2		μs
t _D	Delay Time	R _L = 10Ω, C _L = 0.1μF, CT = 1000pF		221		μs
VIN = 0.6V, VON = 5V, VBIAS = 2.5V, TA = 25°C						
t _{ON}	Turn ON Time	R _L = 10Ω, C _L = 0.1μF, CT = 1000pF		301		μs
t _{OFF}	Turn OFF Time	R _L = 10Ω, C _L = 0.1μF, CT = 1000pF		3		μs
t _R	Rise Time	R _L = 10Ω, C _L = 0.1μF, CT = 1000pF		119		μs
t _F	Fall Time	R _L = 10Ω, C _L = 0.1μF, CT = 1000pF		2		μs
t _D	Delay Time	R _L = 10Ω, C _L = 0.1μF, CT = 1000pF		182		μs
VIN = 1.05V, VON = VBIAS = 5V, TA = -40°C to 85°C						
t _{ON}	Turn ON Time	R _L = 10Ω, C _L = 0.1μF, CT = 0pF		17	42	μs
t _{OFF}	Turn OFF Time	R _L = 10Ω, C _L = 0.1μF, CT = 0pF		2		μs
t _R	Rise Time	R _L = 10Ω, C _L = 0.1μF, CT = 0pF		6	25	μs
t _F	Fall Time	R _L = 10Ω, C _L = 0.1μF, CT = 0pF		2		μs
t _D	Delay Time	R _L = 10Ω, C _L = 0.1μF, CT = 0pF		11	25	μs

6.9 Switching Characteristics (TPS22976N)

over operating free-air temperature range (unless otherwise noted)

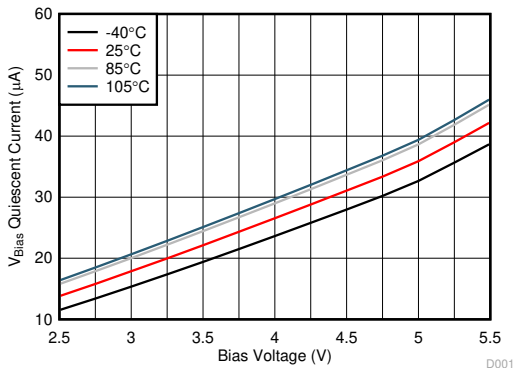
PARAMETER		TEST CONDITIONS	MIN	TYP	MAX	UNIT
VIN = VON = VBIAS = 5V, TA = 25°C						
t _{ON}	Turn ON Time	R _L = 10Ω, C _L = 0.1μF, CT = 1000pF		2390		μs
t _{OFF}	Turn OFF Time	R _L = 10Ω, C _L = 0.1μF, CT = 1000pF		3		μs
t _R	Rise Time	R _L = 10Ω, C _L = 0.1μF, CT = 1000pF		1770		μs
t _F	Fall Time	R _L = 10Ω, C _L = 0.1μF, CT = 1000pF		2		μs
t _D	Delay Time	R _L = 10Ω, C _L = 0.1μF, CT = 1000pF		620		μs
VIN = 0.6V, VON = VBIAS = 5V, TA = 25°C						
t _{ON}	Turn ON Time	R _L = 10Ω, C _L = 0.1μF, CT = 1000pF		745		μs
t _{OFF}	Turn OFF Time	R _L = 10Ω, C _L = 0.1μF, CT = 1000pF		3		μs
t _R	Rise Time	R _L = 10Ω, C _L = 0.1μF, CT = 1000pF		285		μs

6.9 Switching Characteristics (TPS22976N) (continued)

over operating free-air temperature range (unless otherwise noted)

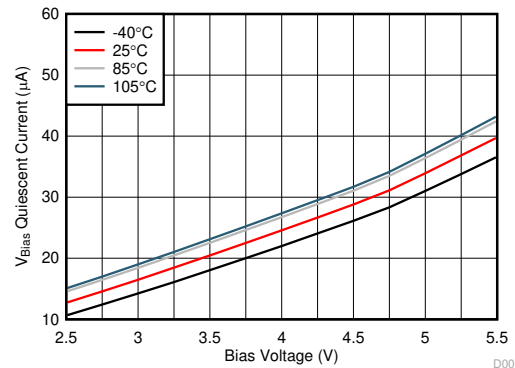
PARAMETER		TEST CONDITIONS	MIN	TYP	MAX	UNIT
t_F	Fall Time	$R_L = 10\Omega$, $C_L = 0.1\mu F$, $CT = 1000pF$		2		μs
t_D	Delay Time	$R_L = 10\Omega$, $C_L = 0.1\mu F$, $CT = 1000pF$		460		μs
VIN = 2.5V, VON = 5V, VBIAS = 2.5V, TA = 25°C						
t_{ON}	Turn ON Time	$R_L = 10\Omega$, $C_L = 0.1\mu F$, $CT = 1000pF$		3485		μs
t_{OFF}	Turn OFF Time	$R_L = 10\Omega$, $C_L = 0.1\mu F$, $CT = 1000pF$		4		μs
t_R	Rise Time	$R_L = 10\Omega$, $C_L = 0.1\mu F$, $CT = 1000pF$		2275		μs
t_F	Fall Time	$R_L = 10\Omega$, $C_L = 0.1\mu F$, $CT = 1000pF$		2		μs
t_D	Delay Time	$R_L = 10\Omega$, $C_L = 0.1\mu F$, $CT = 1000pF$		1210		μs
VIN = 0.6V, VON = 5V, VBIAS = 2.5V, TA = 25°C						
t_{ON}	Turn ON Time	$R_L = 10\Omega$, $C_L = 0.1\mu F$, $CT = 1000pF$		1730		μs
t_{OFF}	Turn OFF Time	$R_L = 10\Omega$, $C_L = 0.1\mu F$, $CT = 1000pF$		5		μs
t_R	Rise Time	$R_L = 10\Omega$, $C_L = 0.1\mu F$, $CT = 1000pF$		700		μs
t_F	Fall Time	$R_L = 10\Omega$, $C_L = 0.1\mu F$, $CT = 1000pF$		2		μs
t_D	Delay Time	$R_L = 10\Omega$, $C_L = 0.1\mu F$, $CT = 1000pF$		1030		μs
VIN = 1.05V, VON = VBIAS = 5V, TA = -40°C to 85°C						

6.10 Typical DC Characteristics



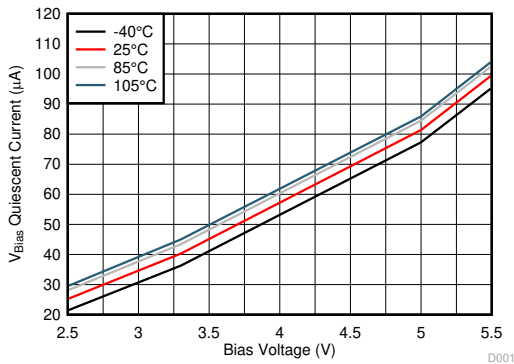
$V_{IN1} = V_{IN2} = V_{BIAS}$ $V_{ON1} = V_{ON2} = 5\text{ V}$ $V_{OUT} = \text{Open}$

Figure 6-1. V_{BIAS} Quiescent Current vs Bias Voltage Both Channels (TPS22976, TPS22976N)



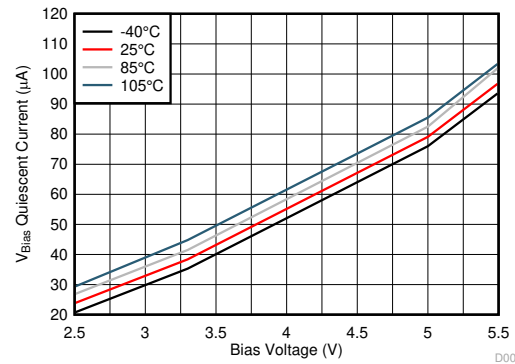
$V_{IN1} = V_{BIAS}$ $V_{ON1} = 5\text{ V}$ $V_{OUT} = \text{Open}$

Figure 6-2. V_{BIAS} Quiescent Current vs Bias Voltage Single Channel (TPS22976, TPS22976N)



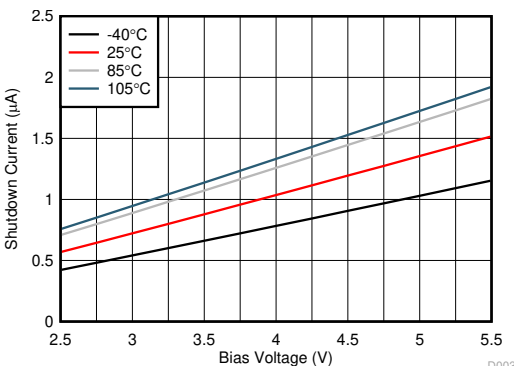
$V_{IN1} = V_{IN2} = V_{BIAS}$ $V_{ON1} = V_{ON2} = 5\text{ V}$ $V_{OUT} = \text{Open}$

Figure 6-3. V_{BIAS} Quiescent Current vs Bias Voltage Both Channels (TPS22976A)



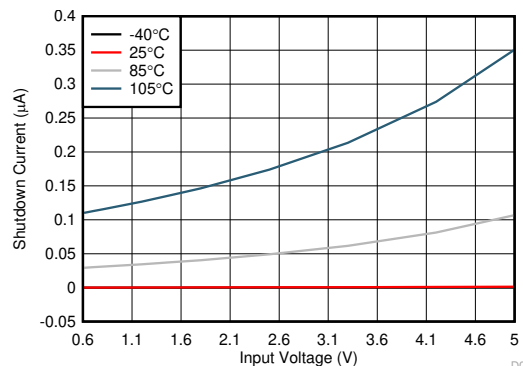
$V_{IN1} = V_{BIAS}$ $V_{ON1} = 5\text{ V}$ $V_{OUT} = \text{Open}$

Figure 6-4. V_{BIAS} Quiescent Current vs Bias Voltage Single Channel (TPS22976A)



$V_{IN1} = V_{IN2} = V_{BIAS}$ $V_{ON1} = V_{ON2} = 0\text{ V}$ $V_{OUT} = 0\text{ V}$

Figure 6-5. V_{BIAS} Shutdown Current vs Bias Voltage Both Channels



$V_{BIAS} = 5\text{ V}$ $V_{ON} = 0\text{ V}$ $V_{OUT} = 0\text{ V}$

Note: -40°C and 25°C curves have similar values, therefore only one line is visible.

Figure 6-6. Off-State V_{IN} Current vs Input Voltage Single Channel

6.10 Typical DC Characteristics (continued)

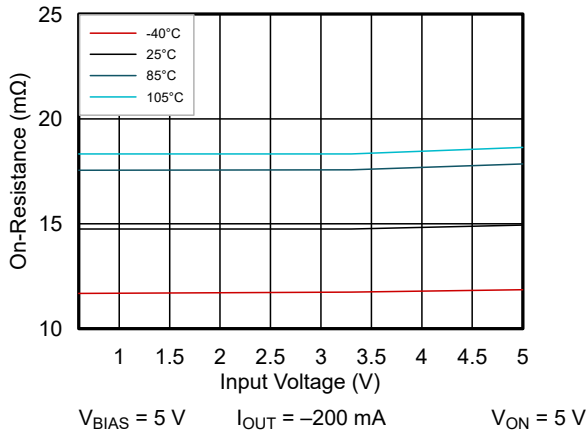


Figure 6-7. On-Resistance vs Input Voltage Single Channel - Across Ambient Temperatures (TPS22976)

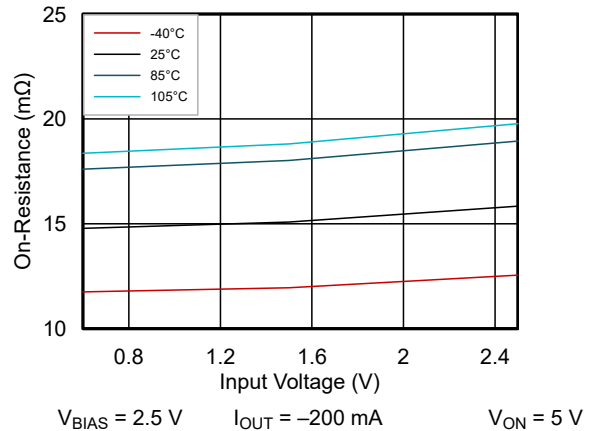


Figure 6-8. On-Resistance vs Input Voltage Single Channel - Across Ambient Temperatures (TPS22976)

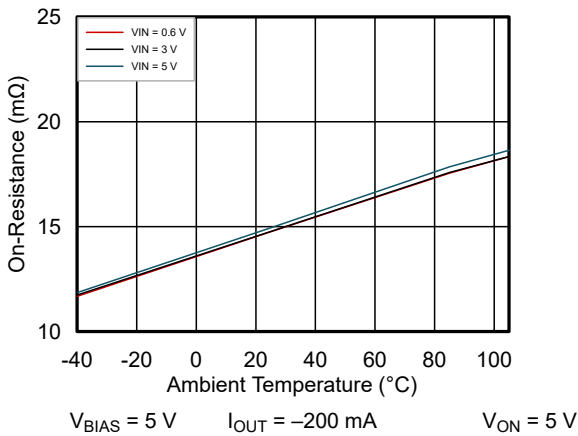


Figure 6-9. On-Resistance vs Ambient Temperature Single Channel (TPS22976)

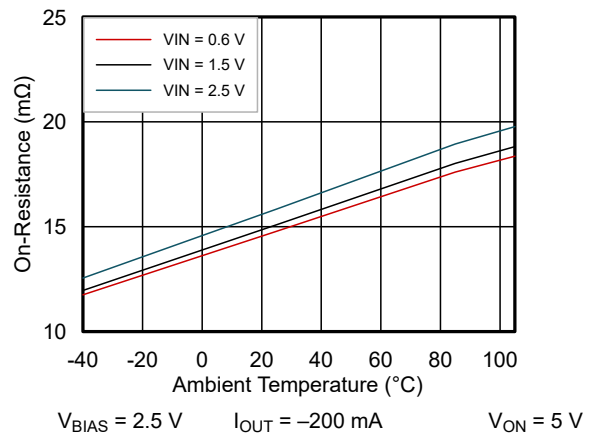


Figure 6-10. On-Resistance vs Ambient Temperature Single Channel (TPS22976)

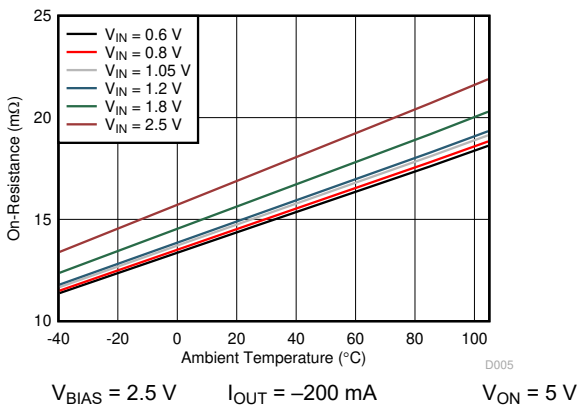


Figure 6-11. On-Resistance vs Ambient Temperature Single Channel (TPS22976A, TPS22976N)

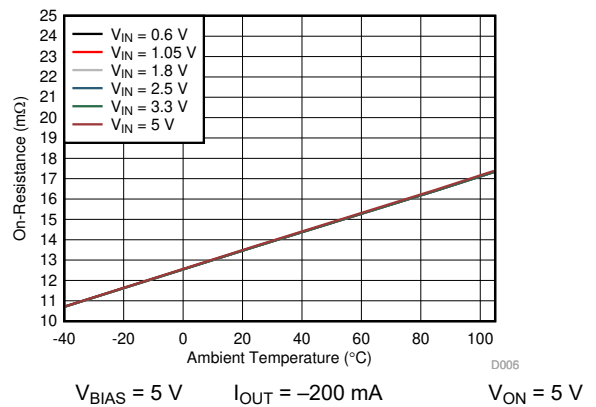


Figure 6-12. On-Resistance vs Ambient Temperature Single Channel (TPS22976A, TPS22976N)

6.10 Typical DC Characteristics (continued)

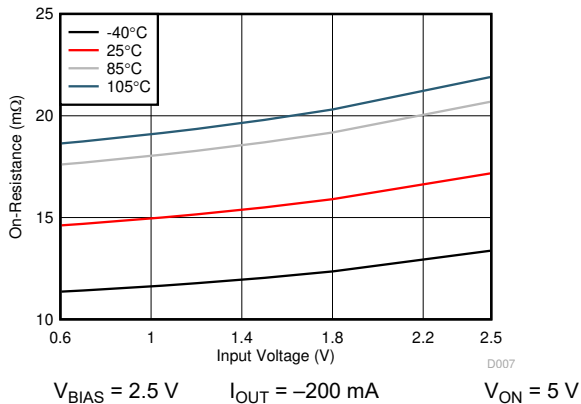


Figure 6-13. On-Resistance vs Input Voltage Single Channel - Across Ambient Temperatures (TPS22976A, TPS22976N)

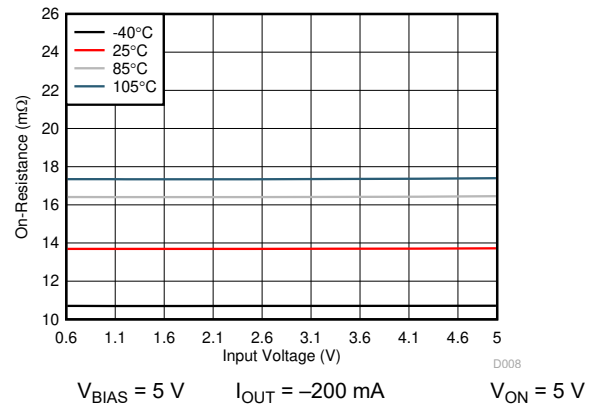


Figure 6-14. On-Resistance vs Input Voltage Single Channel - Across Ambient Temperatures (TPS22976A, TPS22976N)

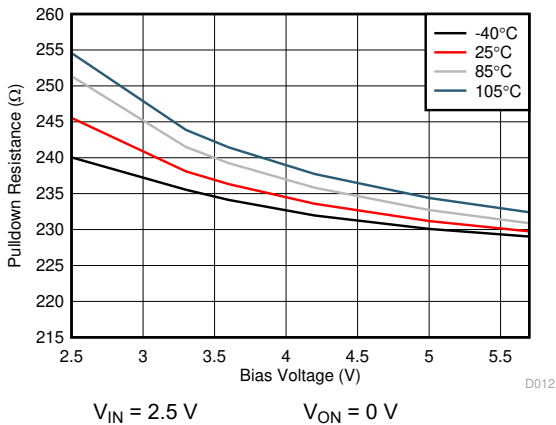


Figure 6-15. Pulldown Resistance vs Bias Voltage Single Channel

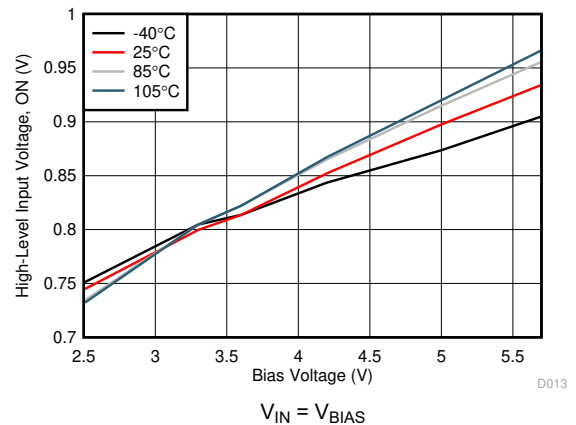


Figure 6-16. High-Level Input Voltage vs Bias Voltage

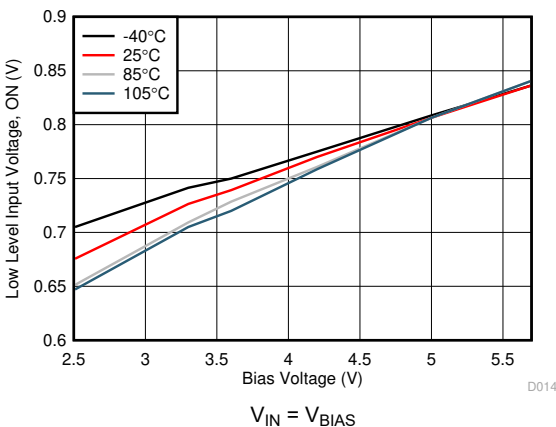


Figure 6-17. Low-Level Input Voltage vs Bias Voltage

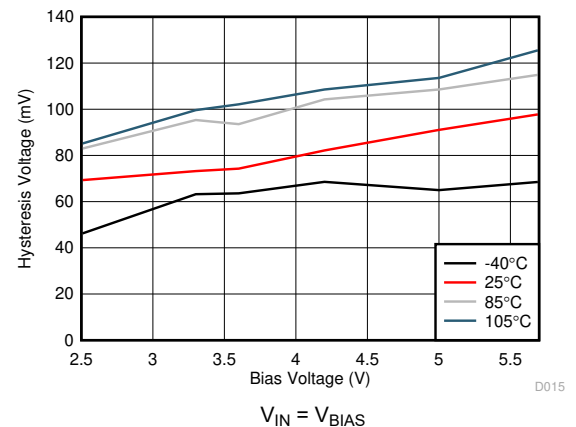


Figure 6-18. Voltage Input Hysteresis vs Bias Voltage

6.11 Typical AC Characteristics

AC Characteristics (TPS22976, TPS22976N)

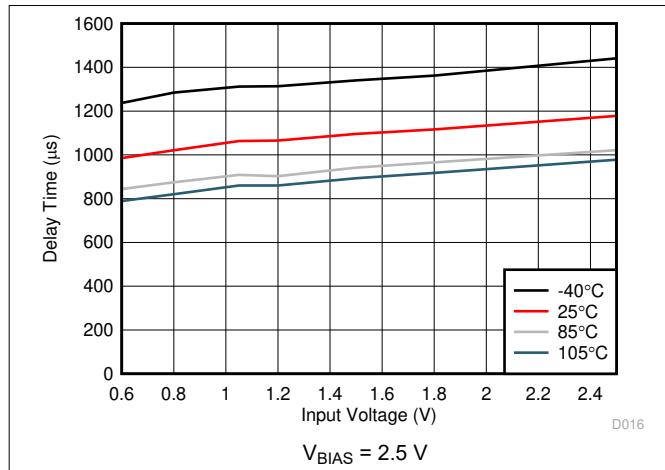


Figure 6-19. Delay Time vs Input Voltage

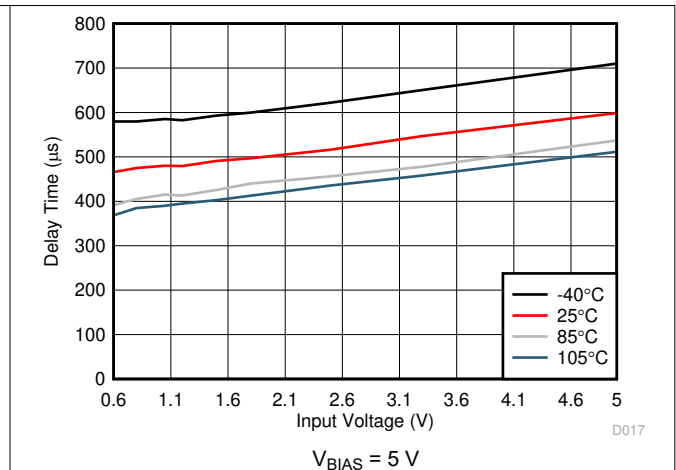


Figure 6-20. Delay Time vs Input Voltage

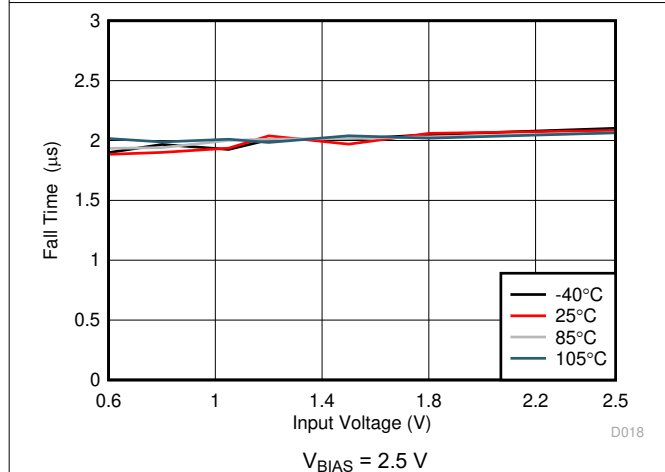


Figure 6-21. Fall Time vs Input Voltage

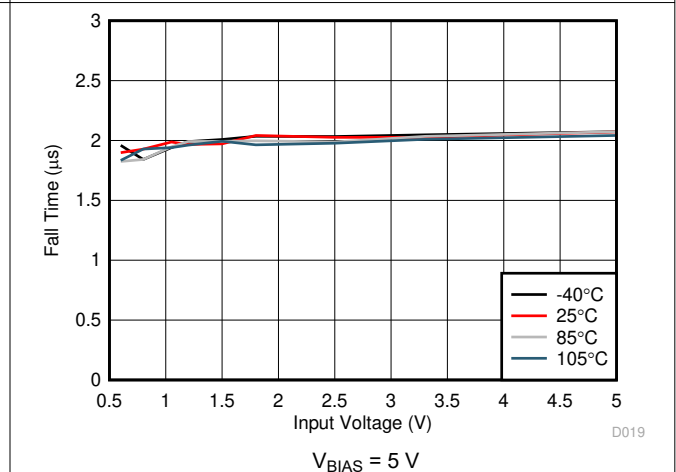


Figure 6-22. Fall Time vs Input Voltage

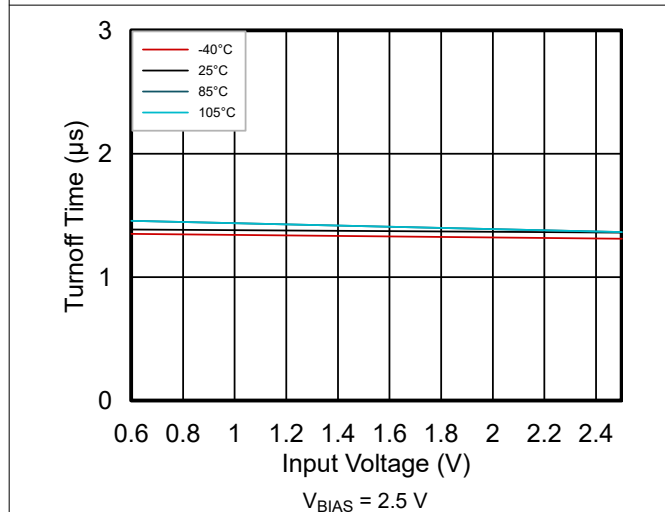


Figure 6-23. Turnoff Time vs Input Voltage (TPS22976)

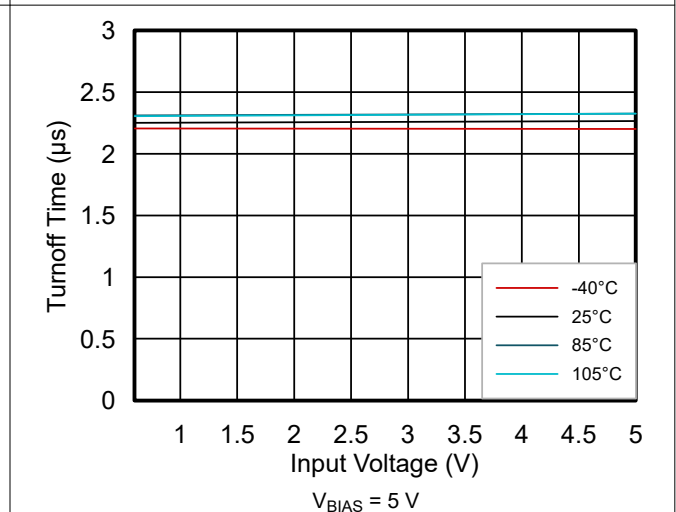


Figure 6-24. Turnoff Time vs Input Voltage (TPS22976)

6.11 Typical AC Characteristics (continued)

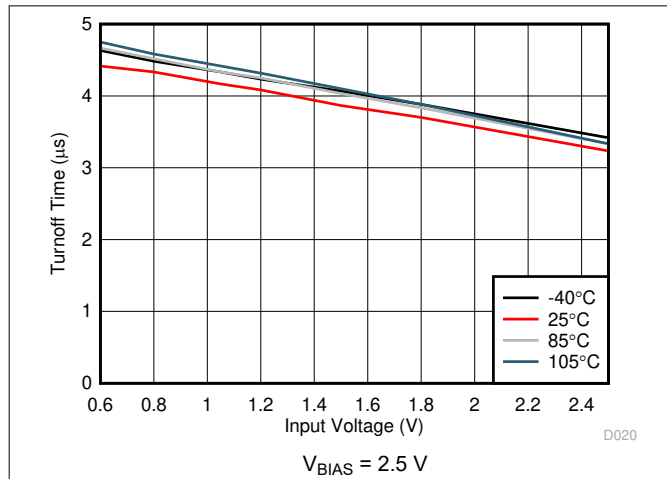


Figure 6-25. Turnoff Time vs Input Voltage (TPS22976N)

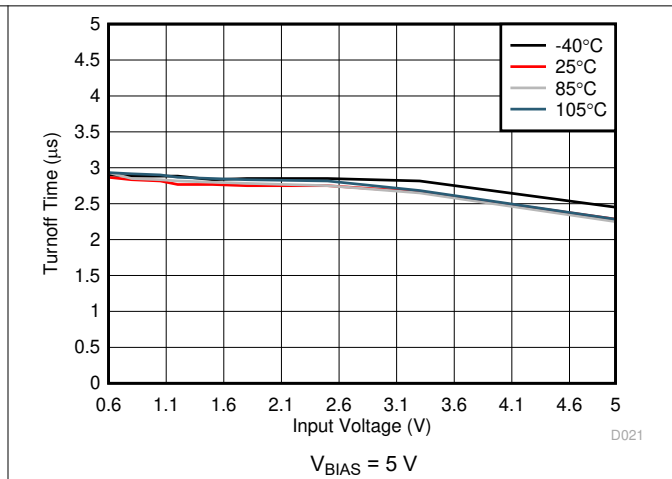


Figure 6-26. Turnoff Time vs Input Voltage (TPS22976N)

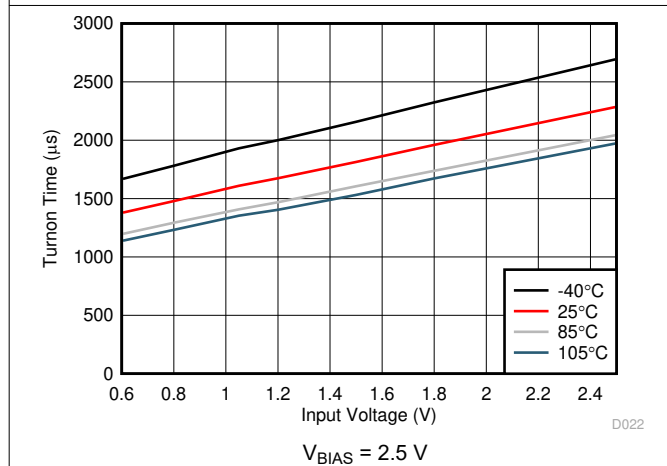


Figure 6-27. Turnon Time vs Input Voltage

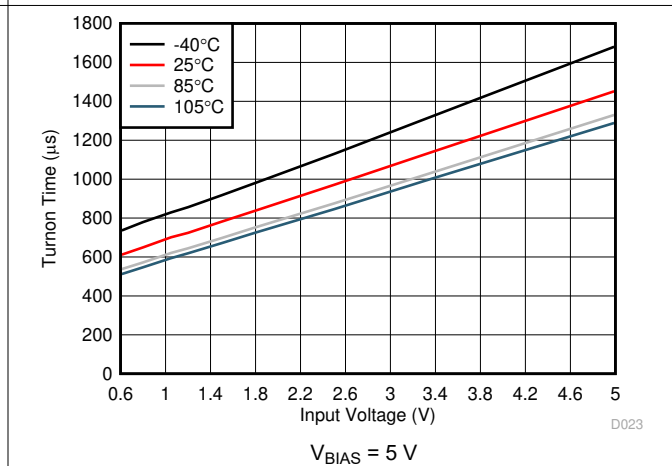


Figure 6-28. Turnon Time vs Input Voltage

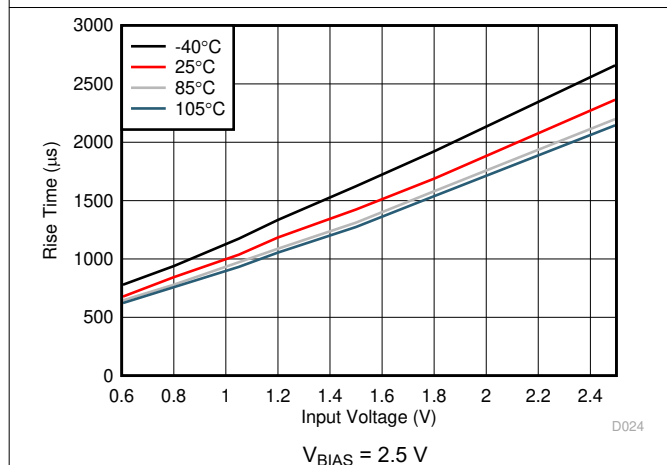


Figure 6-29. Rise Time vs Input Voltage

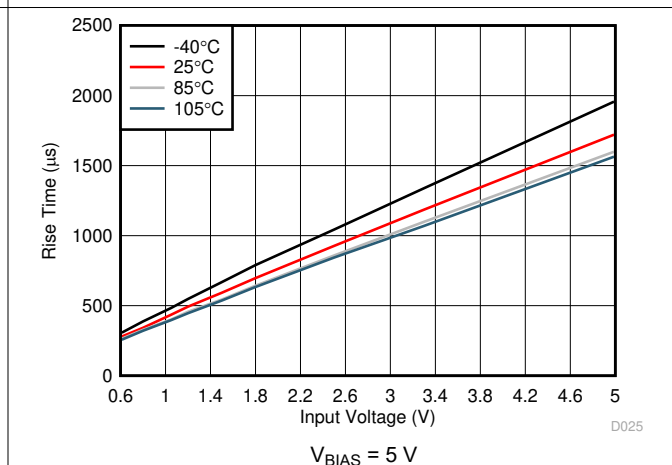


Figure 6-30. Rise Time vs Input Voltage

6.11 Typical AC Characteristics (continued)

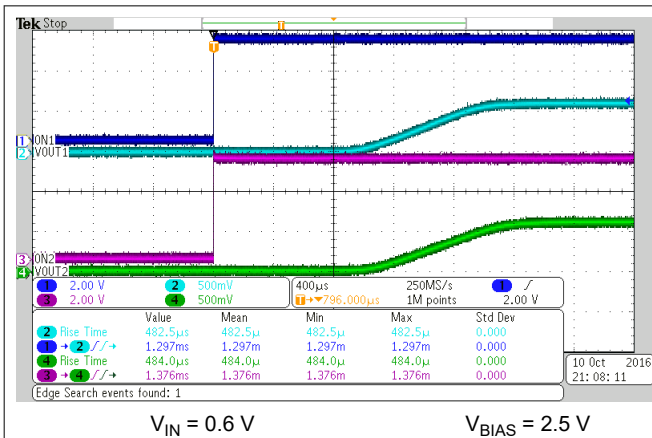


Figure 6-31. Turnon Response Time

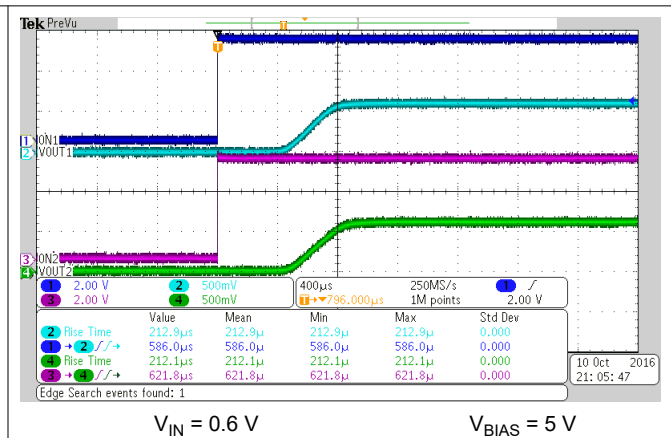


Figure 6-32. Turnon Response Time

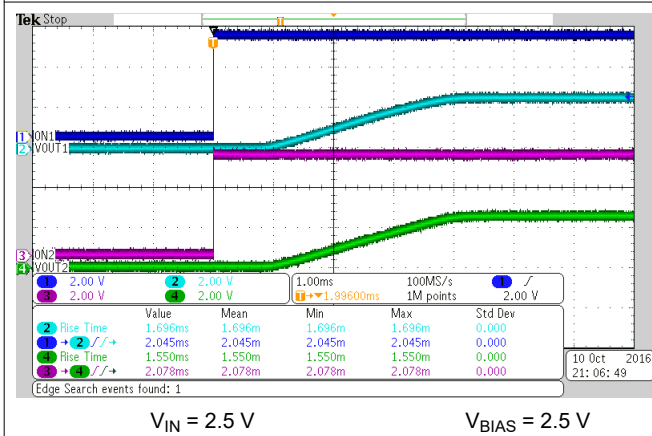


Figure 6-33. Turnon Response Time

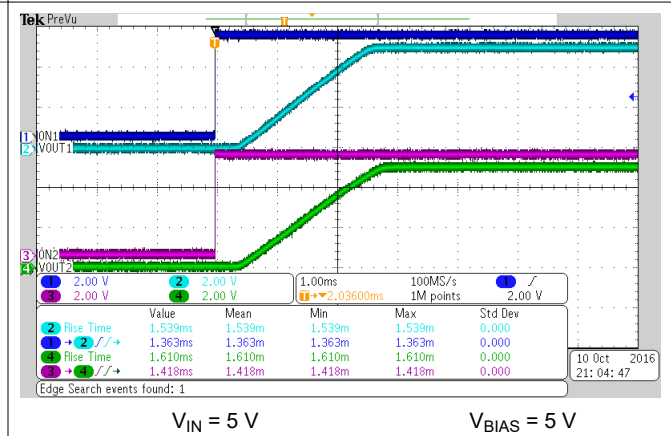


Figure 6-34. Turnon Response Time

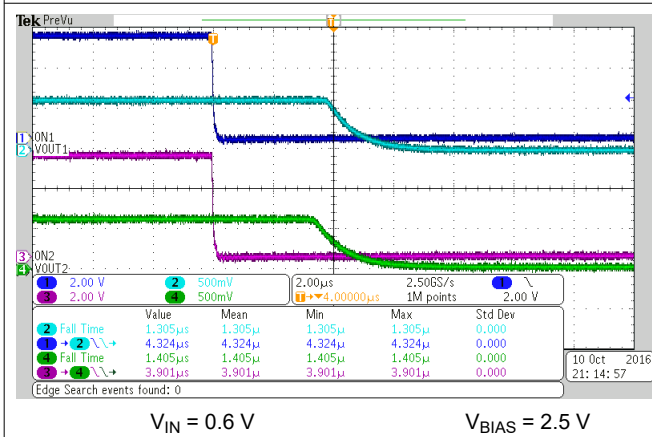


Figure 6-35. Turnoff Response Time

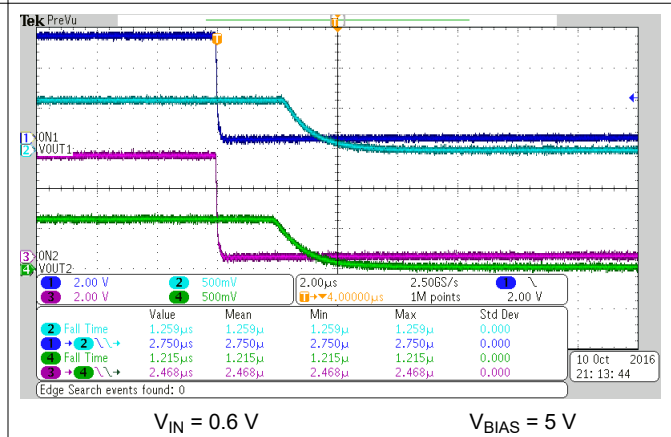


Figure 6-36. Turnoff Response Time

6.11 Typical AC Characteristics

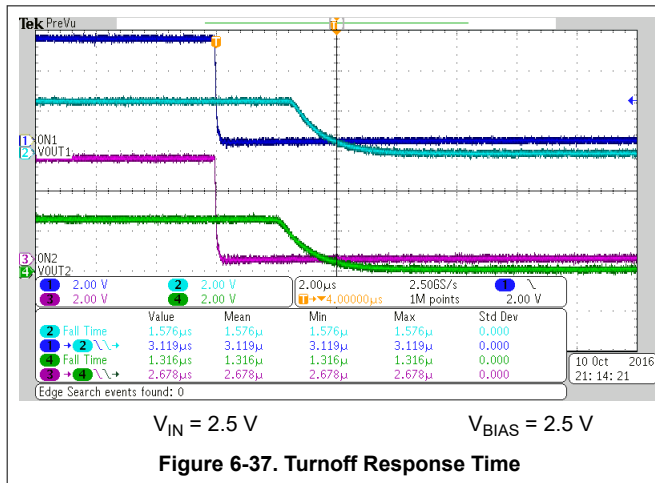


Figure 6-37. Turnoff Response Time

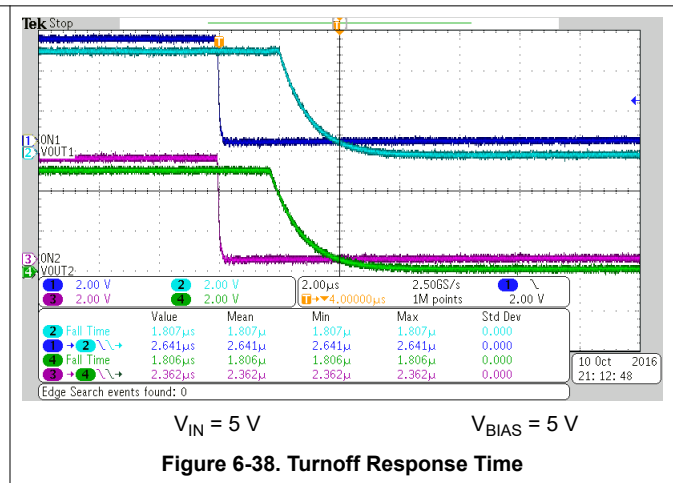


Figure 6-38. Turnoff Response Time

AC Characteristics (TPS22976A)

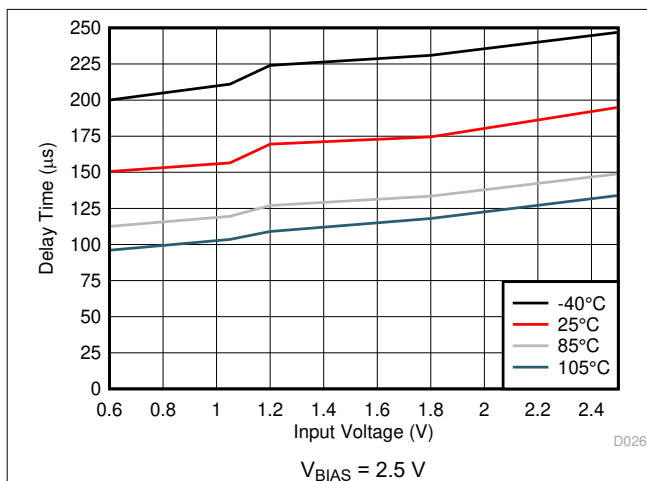


Figure 6-39. Delay Time vs Input Voltage

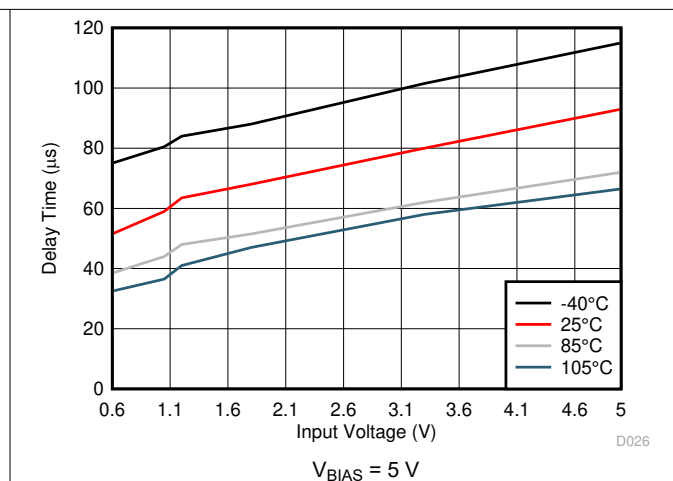


Figure 6-40. Delay Time vs Input Voltage

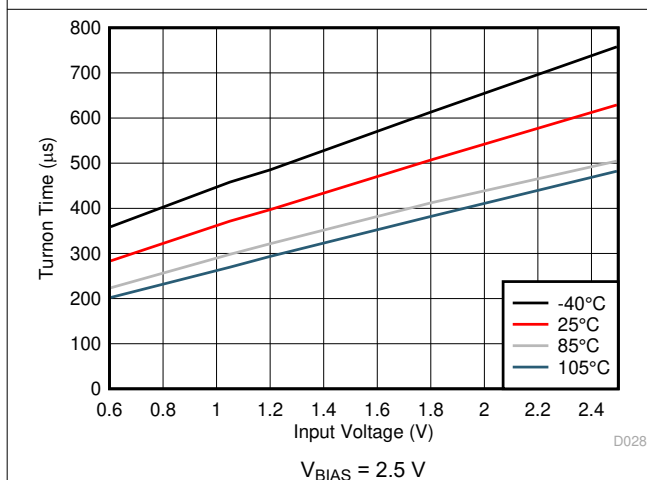


Figure 6-41. Turnon Time vs Input Voltage

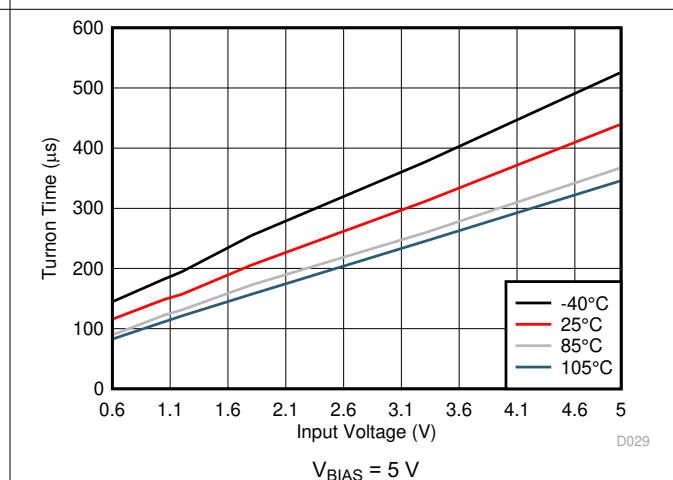


Figure 6-42. Turnon Time vs Input Voltage

6.11 Typical AC Characteristics (continued)

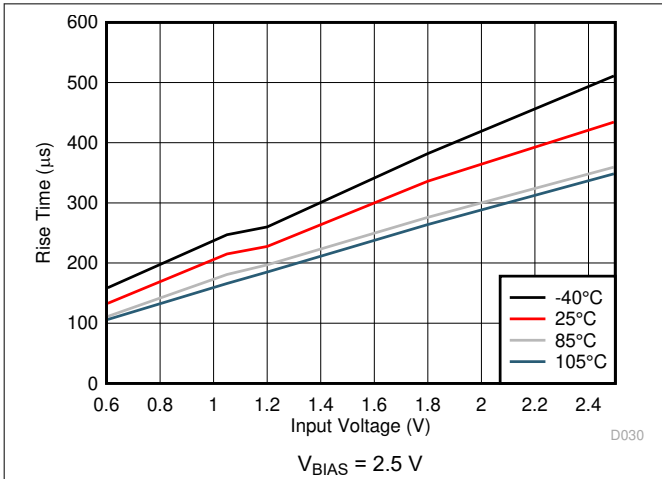


Figure 6-43. Rise Time vs Input Voltage

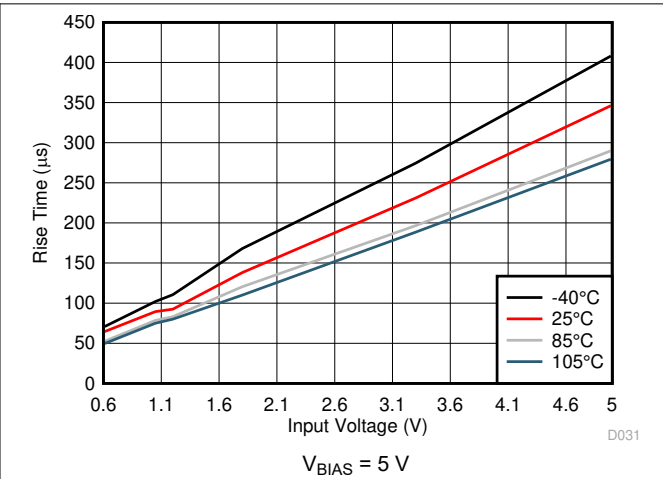


Figure 6-44. Rise Time vs Input Voltage

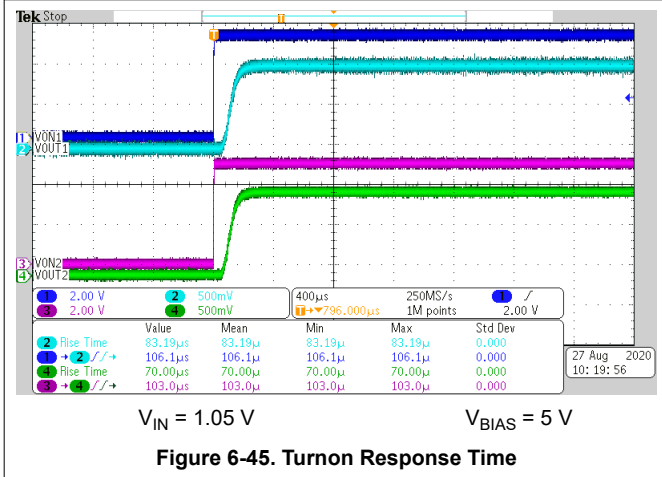


Figure 6-45. Turnon Response Time

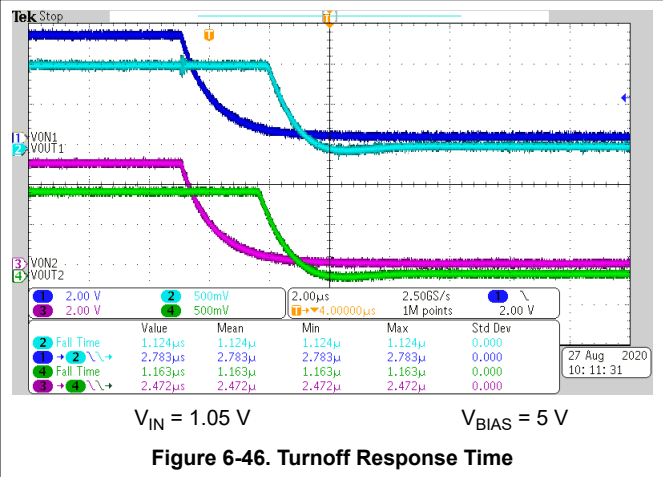


Figure 6-46. Turnoff Response Time

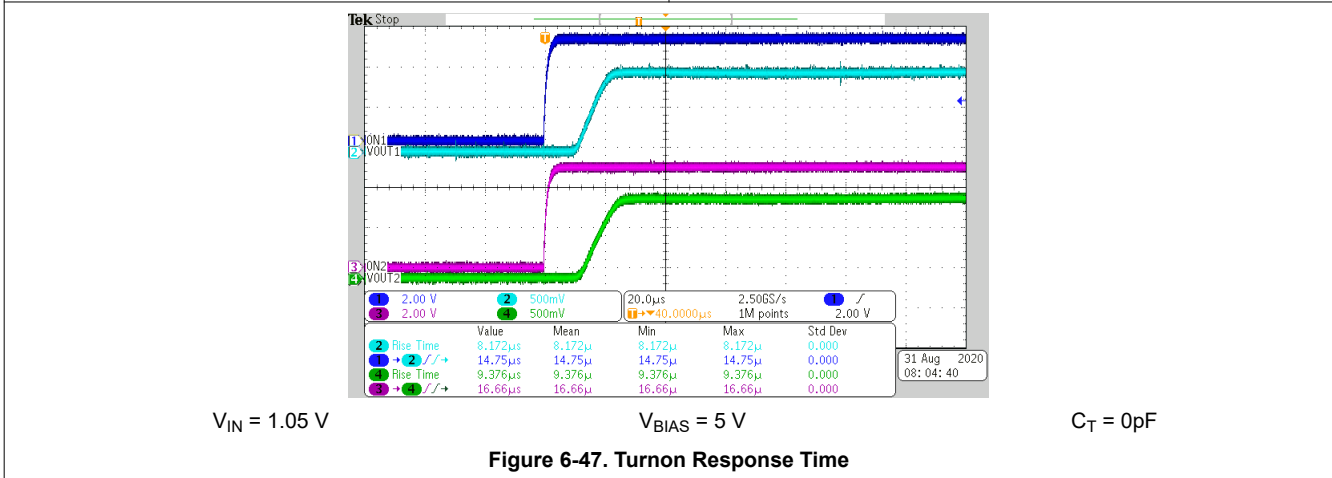


Figure 6-47. Turnon Response Time

7 Parameter Measurement Information

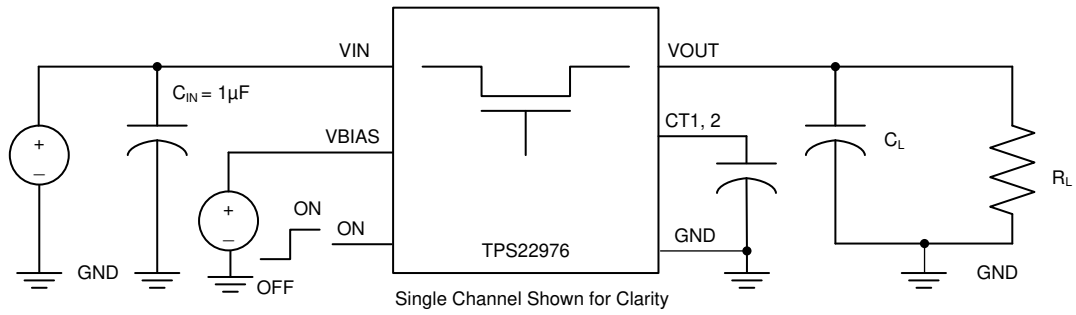


Figure 7-1. Test Circuit

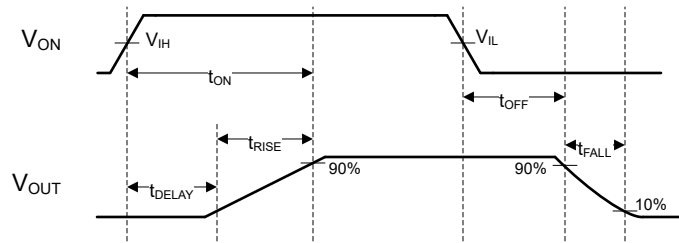


Figure 7-2. t_{ON} and t_{OFF} Waveforms

8 Detailed Description

8.1 Overview

The TPS22976 is a 5.7-V, dual-channel, 14-m Ω (typical) R_{ON} load switch in a 14-pin WSON package. Each channel can support a maximum continuous current of 6 A and is controlled by an on and off GPIO-compatible input. To reduce the voltage drop in high current rails, the device implements N-channel MOSFETs. Note that the ON pins must be connected and cannot be left floating. The device has a configurable slew rate for applications that require specific rise-time, which controls the inrush current. By controlling the inrush current, power supply sag can be reduced during turnon. Furthermore, the slew rate is proportional to the capacitor on the CT pin. See the [Adjustable Rise Time](#) section to determine the correct CT value for a desired rise time.

The internal circuitry is powered by the V_{BIAS} pin, which supports voltages from 2.5 V to 5.7 V. This circuitry includes the charge pump, QOD (optional), and control logic. When a voltage is applied to V_{BIAS} , and the $ON_{1,2}$ pins transition to a low state, the QOD functionality is activated. This connects V_{OUT1} and V_{OUT2} to ground through the on-chip resistor. The typical pulldown resistance (R_{PD}) is 230 Ω .

During the off state, the device prevents downstream circuits from pulling high standby current from the supply. The integrated control logic, driver, power supply, and output discharge FET eliminates the need for any external components, reducing solution size and bill of materials (BOM) count.

8.2 Functional Block Diagram

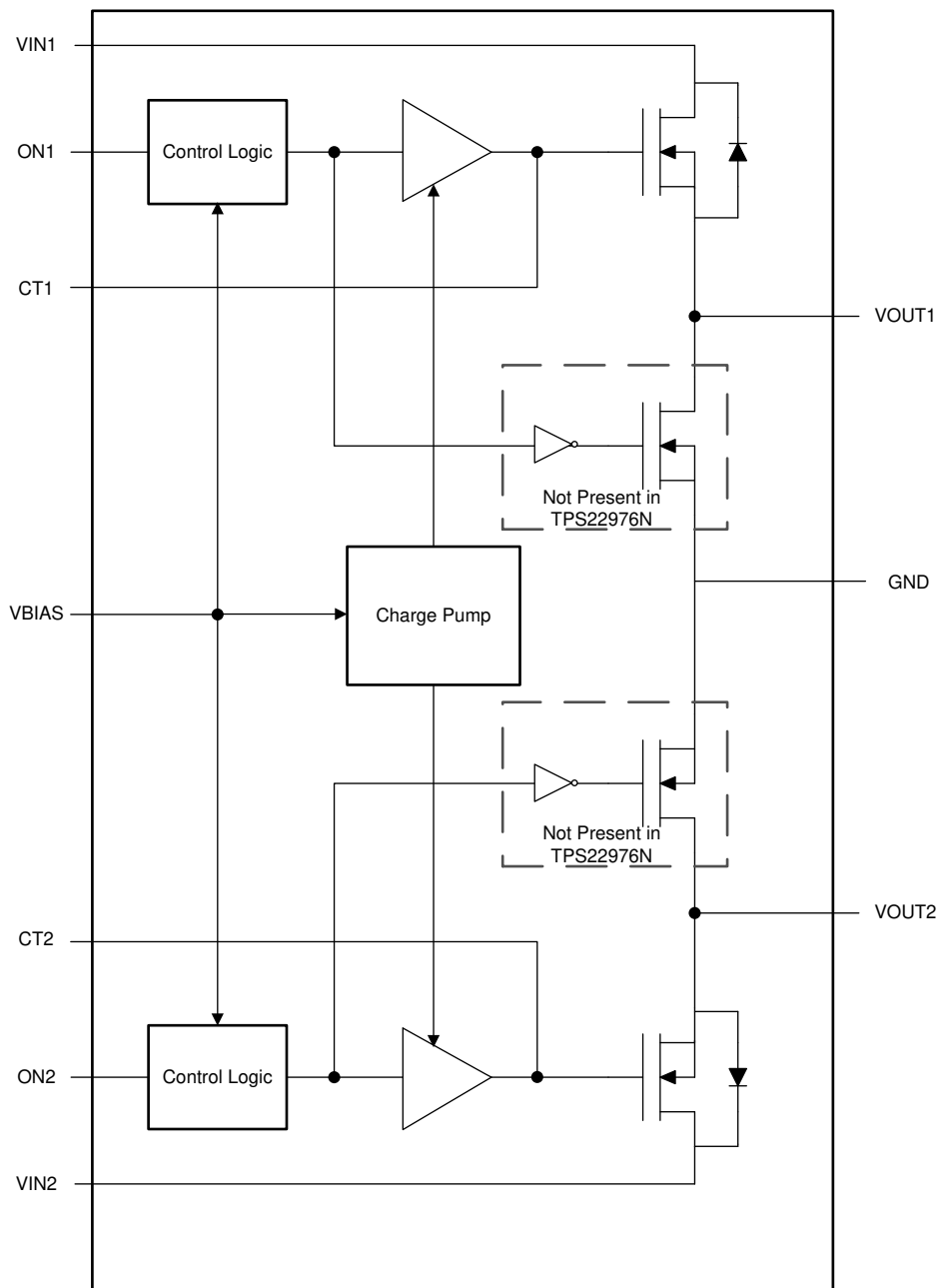


Figure 8-1. TPS22976 Functional Block Diagram

8.3 Feature Description

8.3.1 ON and OFF Control

The ON pins control the state of the switch. Asserting ON high enables the switch. ON is active high with a low threshold, making it capable of interfacing with low-voltage signals. The ON pin is compatible with standard GPIO logic threshold. It can be used with any microcontroller with 1.2 V or higher GPIO voltage. This pin cannot be left floating and must be tied either high or low for proper functionality.

8.3.2 Input Capacitor (Optional)

To limit the voltage drop on the input supply caused by transient inrush currents when the switch turns on into a discharged load capacitor, a capacitor needs to be placed between VIN and GND. A 1-μF ceramic capacitor, CIN, placed close to the pins is usually sufficient. Higher values of CIN can be used to further reduce the voltage drop during high-current application. When switching heavy loads, it is recommended to have an input capacitor about 10 times higher than the output capacitor to avoid excessive voltage drop.

8.3.3 Output Capacitor (Optional)

Due to the integrated body diode in the NMOS switch, a CIN greater than CL is highly recommended. A CL greater than CIN can cause VOUT to exceed VIN when the system supply is removed. This could result in current flow through the body diode from VOUT to VIN. A CIN to CL ratio of 10 to 1 is recommended for minimizing VIN dip caused by inrush currents during startup, however a 10 to 1 ratio for capacitance is not required for proper functionality of the device. A ratio smaller than 10 to 1 (such as 1 to 1) could cause slightly more VIN dip upon turnon due to inrush currents. This can be mitigated by increasing the capacitance on the CT pin for a longer rise time (see the [Adjustable Rise Time](#) section).

8.3.4 Quick Output Discharge (QOD) (Not Present in TPS22976N)

The TPS22976 and TPS22976A include a QOD feature. When the switch is disabled, an internal discharge resistance is connected between VOUT and GND to remove the remaining charge from the output. This resistance prevents the output from floating while the switch is disabled. For best results, it is recommended that the device gets disabled before VBIAS falls below the minimum recommended voltage.

8.3.5 Thermal Shutdown

Thermal Shutdown protects the part from internally or externally generated excessive temperatures. When the device temperature exceeds TSD (typical 160°C), the switch is turned off. The switch automatically turns on again if the temperature of the die drops 20 degrees below the TSD threshold.

8.4 Device Functional Modes

[Table 8-1](#) lists the TPS22976 and TPS22976A functions.

Table 8-1. TPS22976 and TPS22976A Functions Table

ON	VIN to VOUT	VOUT
L	Off	GND
H	On	VIN

[Table 8-2](#) lists the TPS22976N functions.

Table 8-2. TPS22976N Functions Table

ON	VIN to VOUT	VOUT
L	Off	Floating
H	On	VIN

9 Application and Implementation

Note

Information in the following applications sections is not part of the TI component specification, and TI does not warrant its accuracy or completeness. TI's customers are responsible for determining suitability of components for their purposes, as well as validating and testing their design implementation to confirm system functionality.

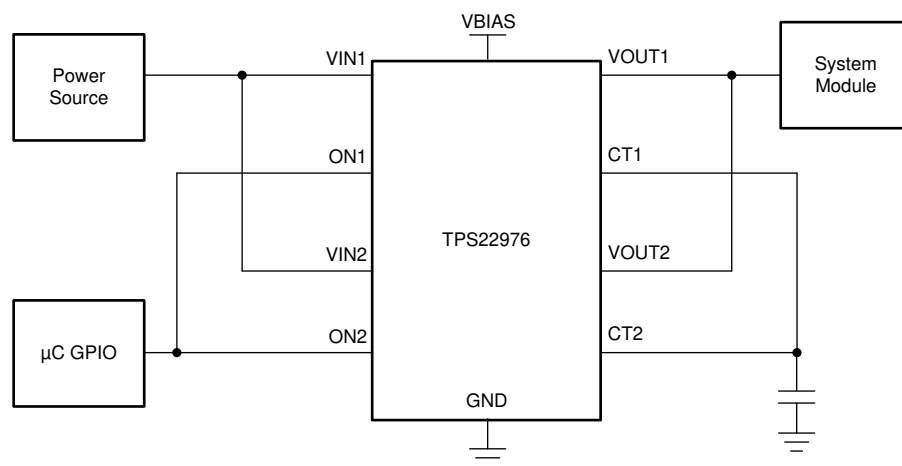
9.1 Application Information

This section highlights some of the design considerations for implementing the device in various applications. A PSPICE model for this device is also available on the product page for additional information.

9.1.1 Parallel Configuration

To increase current capabilities and to lower R_{ON} , both channels can be placed in parallel as seen in [Figure 9-1](#). With this configuration, the CT1 and CT2 pins can be tied together to use one capacitor, CT.

See the [TPS22966 Dual-Channel Load Switch in Parallel Configuration](#) application report and [Parallel Load Switches for Higher Output Current & Reduced ON-Resistance Design Guide](#) for more information.



Copyright © 2016, Texas Instruments Incorporated

Figure 9-1. Parallel Configuration

9.1.2 Standby Power Reduction

Battery powered end equipments often have strict power budgets, in which there is a need to reduce current consumption. The TPS22976 significantly reduces system current consumption by disabling the supply voltage to subsystems in standby states. Alternatively, the TPS22976 reduces the leakage current overhead of the modules in standby mode as achieved in [Figure 9-2](#). Note that standby power reduction can be achieved on either channel, as well as dual-channel operation.

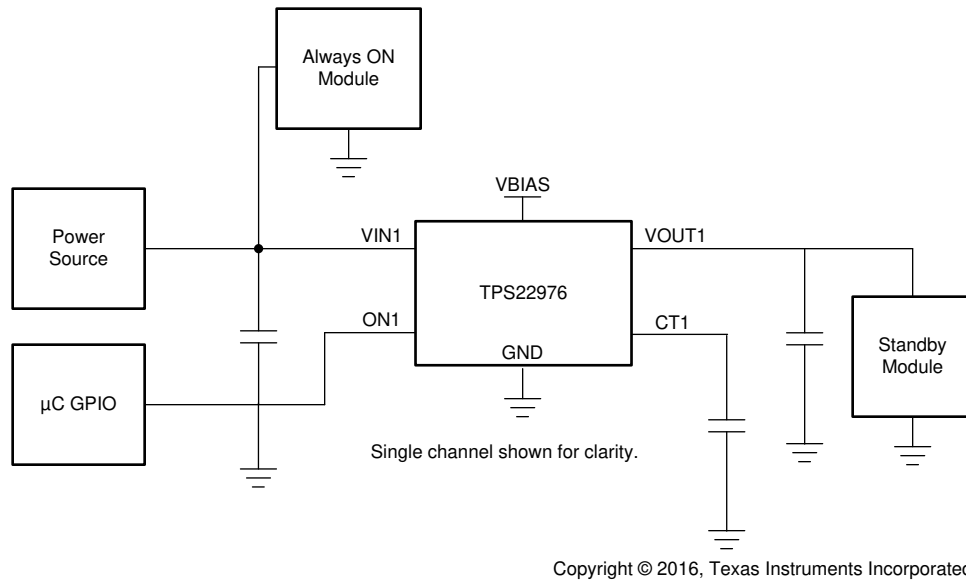


Figure 9-2. Standby Power Reduction

9.1.3 Power Supply Sequencing without GPIO Input

Sequential startup of several subsystems is often burdensome and adds complexity for several end equipments. The TPS22976 provides a power sequencing solution that reduces the overall system complexity, as seen in [Figure 9-3](#).

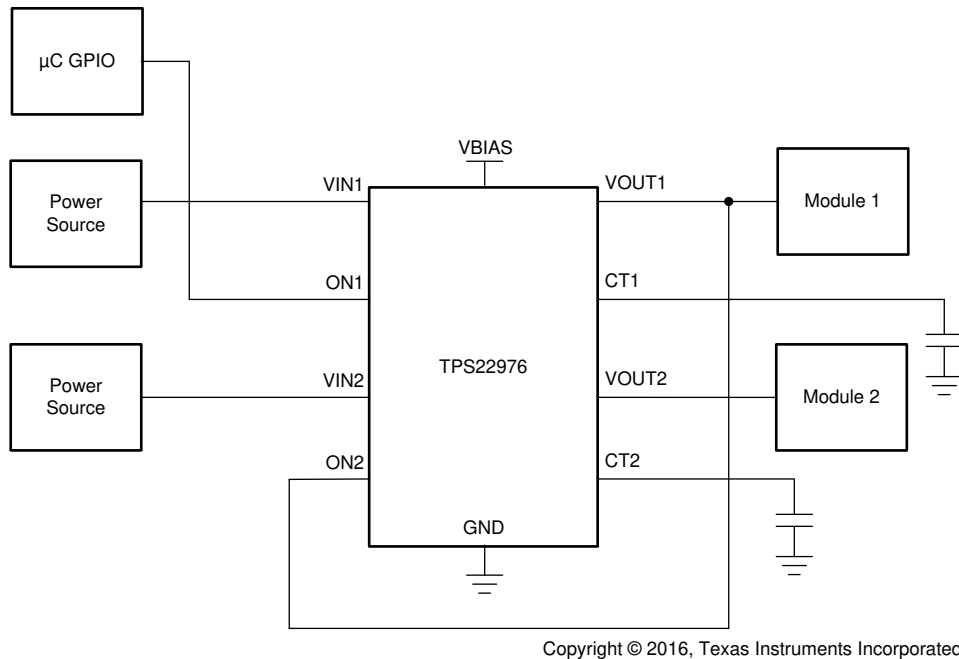
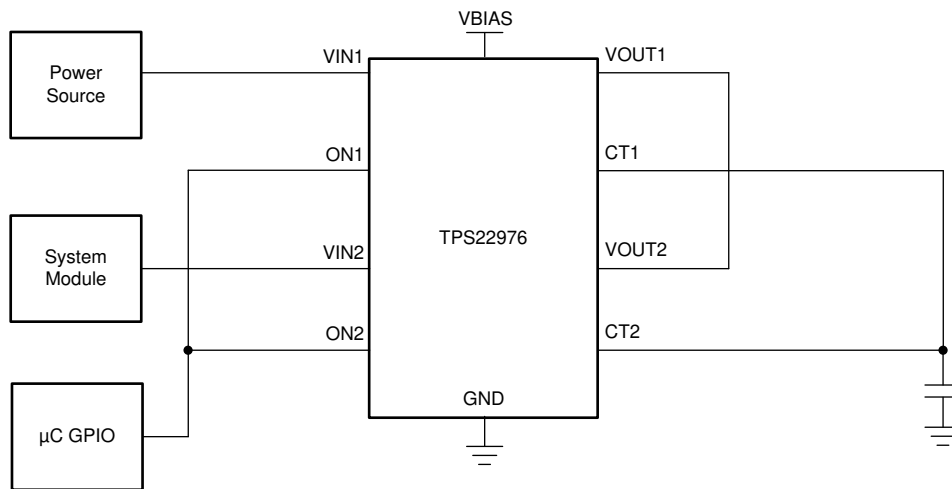


Figure 9-3. Power Sequencing without a GPIO Input

9.1.4 Reverse Current Blocking

Reverse current blocking is often desired in specific applications, as it prevents current from flowing from the output to the input of the load switch when the device is disabled. With the configuration illustrated in [Figure 9-4](#),

the TPS22976 can be converted into a single-channel switch with reverse current blocking. VIN1 or VIN2 can be used as the input and VIN2 or VIN1 as the output.

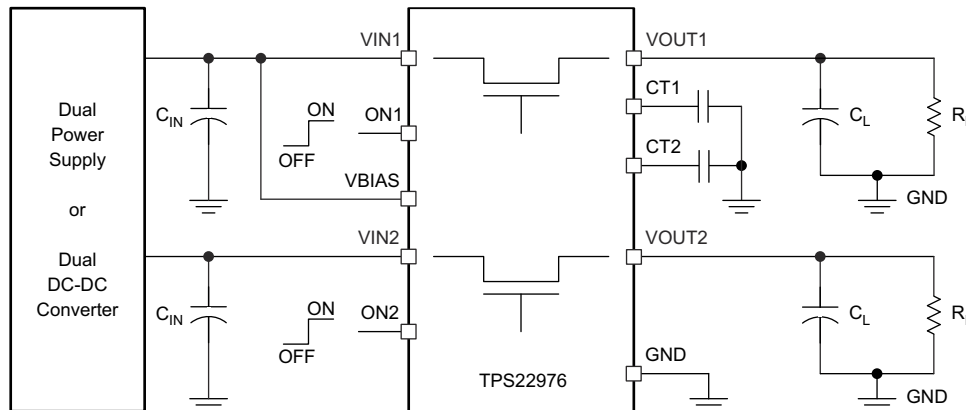


Copyright © 2016, Texas Instruments Incorporated

Figure 9-4. Reverse Current Blocking

9.2 Typical Application

This application demonstrates how the TPS22976 can be used to limit the inrush current when powering on downstream modules.



Copyright © 2016, Texas Instruments Incorporated

Figure 9-5. Typical Application Circuit

9.2.1 Design Requirements

Table 9-1 shows the TPS22976 design parameters.

Table 9-1. Design Parameters

DESIGN PARAMETER	VALUE
Input voltage	3.3 V
Bias voltage	5 V
Load capacitance (C _L)	22 μF
Maximum acceptable inrush current	400 mA

9.2.2 Detailed Design Procedure

9.2.2.1 Inrush Current

When the switch is enabled, the output capacitors must be charged up from 0 V to the set value (3.3 V in this example). This charge arrives in the form of inrush current. Inrush current can be calculated using Equation 1.

$$\text{Inrush Current} = C \times dV/dt \quad (1)$$

where

- C is the output capacitance
- dV is the output voltage
- dt is the rise time

The TPS22976 offers adjustable rise time for V_{OUT}. This feature allows the user to control the inrush current during turnon. The appropriate rise time can be calculated using Table 9-1 and the inrush current equation. See Equation 2 and Equation 3.

$$400 \text{ mA} = 22 \text{ } \mu\text{F} \times 3.3 \text{ V}/dt \quad (2)$$

$$dt = 181.5 \text{ } \mu\text{s} \quad (3)$$

To ensure an inrush current of less than 400 mA, choose a CT value that yields a rise time of more than 181.5 μs. See the oscilloscope captures in the [Application Curves](#) section for an example of how the CT capacitor can be used to reduce inrush current.

9.2.2.2 Adjustable Rise Time

A capacitor to GND on the CT pins sets the slew rate for each channel. To ensure desired performance, a capacitor with a minimum voltage rating of 25 V must be used on either CT pins. An approximate formula for the relationship between CT and slew rate is shown in Equation 4, and this is valid for TPS22976 and TPS22976N. The TPS22976A has a faster rise time and is represented by Equation 5.

Equation 4 and Equation 5 account for 10% to 90% measurement on V_{OUT} and do not apply for $CT < 100$ pF. Use Table 9-2 to determine rise times for when $CT = 0$ pF.

TPS22976, TPS22976N:

$$SR = 0.42 \times CT + 66 \quad (4)$$

TPS22976A:

$$SR = 0.0606 \times CT + 22 \quad (5)$$

where

- SR is the slew rate (in $\mu\text{s}/\text{V}$)
- CT is the capacitance value on the CT pin (in pF)
- The units for the constants 66 and 22 are in $\mu\text{s}/\text{V}$.

Rise time can be calculated by multiplying the input voltage by the slew rate. Table 10-2 shows rise time values measured on a typical device. Rise times shown below are only valid for the power-up sequence where V_{IN} and V_{BIAS} are already in steady state condition, and the ON pin is asserted high.

Table 9-2. Rise Time Values (TPS22976, TPS22976N)

CT (pF)	RISE TIME (μs) 10% - 90%, $C_L = 0.1 \mu\text{F}$, $C_{IN} = 1 \mu\text{F}$, $R_L = 10 \Omega$ ⁽¹⁾						
	5 V	3.3 V	1.8 V	1.5 V	1.2 V	1.05 V	0.6 V
0	149	112	77	70	60	56	42
220	548	388	236	206	173	154	103
470	968	673	401	342	289	256	169
1000	1768	1220	711	608	505	445	286
2200	3916	2678	1554	1332	1097	949	627
4700	8040	5477	3179	2691	2240	1964	1249
10000	16520	11150	6410	5401	4430	3933	2526

(1) TYPICAL VALUES at 25°C, $V_{BIAS} = 5$ V, 25 V X7R 10% CERAMIC CAP

9.2.3 Application Curves

$V_{BIAS} = 5$ V ; $V_{IN} = 3.3$ V ; $C_L = 22$ μF

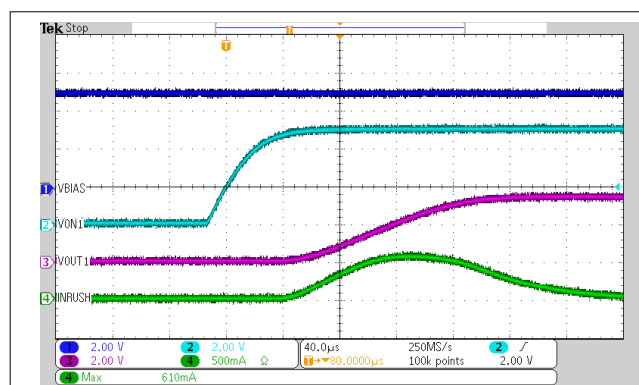


Figure 9-6. Inrush Current With CT = 0 pF

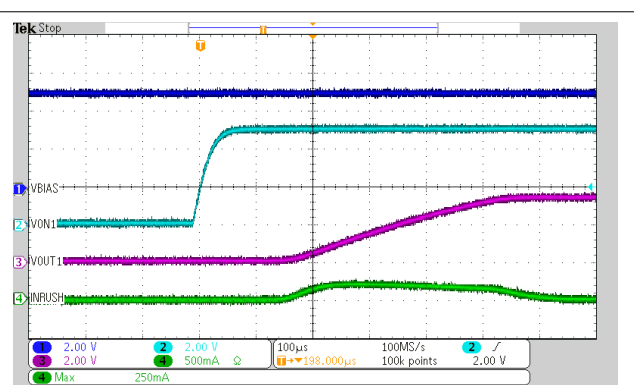


Figure 9-7. Inrush Current With CT = 220 pF

9.3 Power Supply Recommendations

The device is designed to operate from a V_{BIAS} range of 2.5 V to 5.7 V and a V_{IN} range of 0.6 V to V_{BIAS} .

9.4 Layout

9.4.1 Layout Guidelines

For best performance, all traces must be as short as possible. To be most effective, the input and output capacitors must be placed close to the device to minimize the effects that parasitic trace inductances may have on normal operation. Using wide traces for V_{IN} , V_{OUT} , and GND helps minimize the parasitic electrical effects along with minimizing the case to ambient thermal impedance.

9.4.2 Layout Example

Notice the thermal vias located under the exposed thermal pad of the device. This allows for thermal diffusion away from the device.

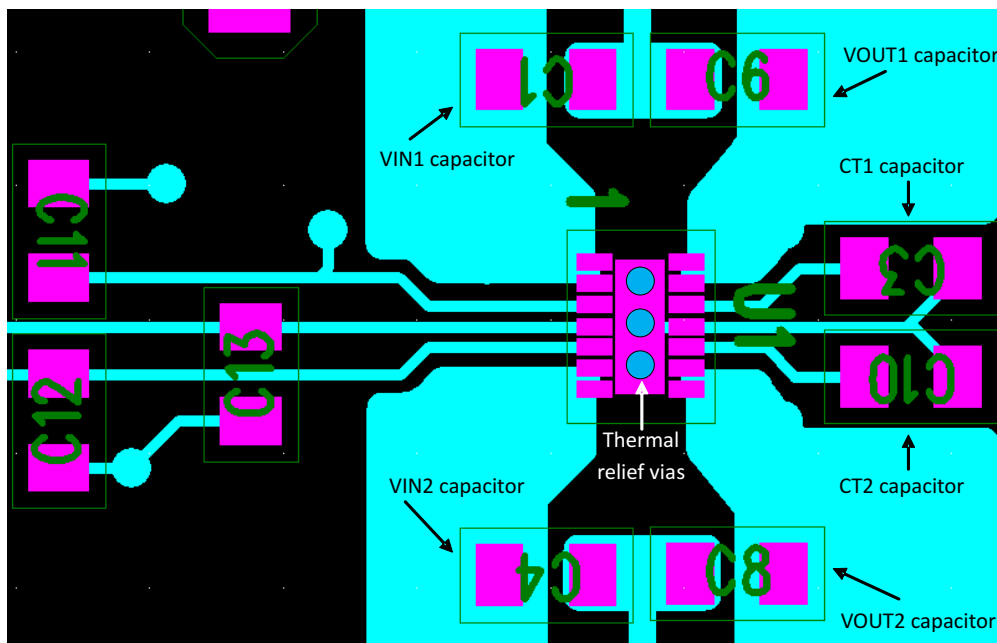


Figure 9-8. PCB Layout Example

9.4.3 Power Dissipation

The maximum IC junction temperature must be restricted to 125°C under normal operating conditions. To calculate the maximum allowable power dissipation, $P_{D(max)}$ for a given output current and ambient temperature, use Equation 6.

$$P_{D(max)} = \frac{T_{J(max)} - T_A}{\theta_{JA}} \quad (6)$$

where

- $P_{D(max)}$ is the maximum allowable power dissipation.
- $T_{J(max)}$ is the maximum allowable junction temperature (125°C for the TPS22976).
- T_A is the ambient temperature of the device.
- θ_{JA} is the junction to air thermal impedance. See the *Thermal Information* section. This parameter is highly dependent upon board layout.

10 Device and Documentation Support

10.1 Device Support

10.1.1 Developmental Support

For the TPS22976N PSpice Transient Model, see [SLVMBV5](#).

For the TPS22976 PSpice Transient Model, see [SLVMBV6](#).

10.2 Documentation Support

10.2.1 Related Documentation

For related documentation see the following:

[TPS22976 Evaluation Module User's Guide](#)

10.3 Receiving Notification of Documentation Updates

To receive notification of documentation updates, navigate to the device product folder on [ti.com](#). Click on *Notifications* to register and receive a weekly digest of any product information that has changed. For change details, review the revision history included in any revised document.

10.4 Support Resources

[TI E2E™ support forums](#) are an engineer's go-to source for fast, verified answers and design help — straight from the experts. Search existing answers or ask your own question to get the quick design help you need.

Linked content is provided "AS IS" by the respective contributors. They do not constitute TI specifications and do not necessarily reflect TI's views; see TI's [Terms of Use](#).

10.5 Trademarks

TI E2E™ is a trademark of Texas Instruments.

All trademarks are the property of their respective owners.

10.6 Electrostatic Discharge Caution



This integrated circuit can be damaged by ESD. Texas Instruments recommends that all integrated circuits be handled with appropriate precautions. Failure to observe proper handling and installation procedures can cause damage.

ESD damage can range from subtle performance degradation to complete device failure. Precision integrated circuits may be more susceptible to damage because very small parametric changes could cause the device not to meet its published specifications.

10.7 Glossary

[TI Glossary](#) This glossary lists and explains terms, acronyms, and definitions.

11 Revision History

NOTE: Page numbers for previous revisions may differ from page numbers in the current version.

Changes from Revision C (September 2020) to Revision D (December 2023)	Page
• Updated R_{ON} for TPS22976 in the <i>Device Comparison Table</i>	3
• Updated $I_{Q,VBIAS}$ for TPS22976 in the <i>Electrical Characteristics (VBIAS = 5V)</i>	4
• Updated R_{ON} for TPS22976 in the <i>Electrical Characteristics (VBIAS = 5V)</i>	4
• Updated R_{ON} for TPS22976 in the <i>Electrical Characteristics (VBIAS = 2.5V)</i>	4
• Updated t_{OFF} for TPS22976 in the <i>Switching Characteristics (TPS22976)</i>	4
• Updated four On-resistance plots for TPS22976 in the <i>Typical DC Characteristics</i>	12
• Updated two turnoff time plots for TPS22976 in the <i>Typical AC Characteristics</i>	15

Changes from Revision B (September 2017) to Revision C (September 2020)	Page
• Added quiescent current and rise time for TPS22976A in the <i>Features</i> list.....	1
• Added TPS22976A to the <i>Device Information</i> table	1

• Added Switching Characteristics (TPS22976A) table.....	4
• Added a line for quiescent current for TPS22976A in all of the Specifications tables.....	4
• Added two quiescent current graphs in Typical DC Characteristics for the TPS22976A.....	12
• Added section for the TPS22976A in Typical AC Characteristics	15
• Added CT pin equation for the TPS22976A in Adjustable Rise Time section.....	28

12 Mechanical, Packaging, and Orderable Information

The following pages include mechanical, packaging, and orderable information. This information is the most-current data available for the designated devices. This data is subject to change without notice and without revision of this document. For browser-based versions of this data sheet, see the left-hand navigation pane.

PACKAGING INFORMATION

Orderable Device	Status (1)	Package Type	Package Drawing	Pins	Package Qty	Eco Plan (2)	Lead finish/ Ball material (6)	MSL Peak Temp (3)	Op Temp (°C)	Device Marking (4/5)	Samples
TPS22976ADPUR	ACTIVE	WSON	DPU	14	3000	RoHS & Green	NIPDAU	Level-2-260C-1 YEAR	-40 to 105	22976A	Samples
TPS22976DPUR	ACTIVE	WSON	DPU	14	3000	RoHS & Green	NIPDAU	Level-1-260C-UNLIM	-40 to 105	22976	Samples
TPS22976DPUT	ACTIVE	WSON	DPU	14	250	RoHS & Green	NIPDAU	Level-1-260C-UNLIM	-40 to 105	22976	Samples
TPS22976NDPUR	ACTIVE	WSON	DPU	14	3000	RoHS & Green	NIPDAU	Level-1-260C-UNLIM	-40 to 105	22976N	Samples
TPS22976NDPUT	ACTIVE	WSON	DPU	14	250	RoHS & Green	NIPDAU	Level-1-260C-UNLIM	-40 to 105	22976N	Samples

(1) The marketing status values are defined as follows:

ACTIVE: Product device recommended for new designs.

LIFEBUY: TI has announced that the device will be discontinued, and a lifetime-buy period is in effect.

NRND: Not recommended for new designs. Device is in production to support existing customers, but TI does not recommend using this part in a new design.

PREVIEW: Device has been announced but is not in production. Samples may or may not be available.

OBSELETE: TI has discontinued the production of the device.

(2) **RoHS:** TI defines "RoHS" to mean semiconductor products that are compliant with the current EU RoHS requirements for all 10 RoHS substances, including the requirement that RoHS substance do not exceed 0.1% by weight in homogeneous materials. Where designed to be soldered at high temperatures, "RoHS" products are suitable for use in specified lead-free processes. TI may reference these types of products as "Pb-Free".

RoHS Exempt: TI defines "RoHS Exempt" to mean products that contain lead but are compliant with EU RoHS pursuant to a specific EU RoHS exemption.

Green: TI defines "Green" to mean the content of Chlorine (Cl) and Bromine (Br) based flame retardants meet JS709B low halogen requirements of <=1000ppm threshold. Antimony trioxide based flame retardants must also meet the <=1000ppm threshold requirement.

(3) MSL, Peak Temp. - The Moisture Sensitivity Level rating according to the JEDEC industry standard classifications, and peak solder temperature.

(4) There may be additional marking, which relates to the logo, the lot trace code information, or the environmental category on the device.

(5) Multiple Device Markings will be inside parentheses. Only one Device Marking contained in parentheses and separated by a "~" will appear on a device. If a line is indented then it is a continuation of the previous line and the two combined represent the entire Device Marking for that device.

(6) Lead finish/Ball material - Orderable Devices may have multiple material finish options. Finish options are separated by a vertical ruled line. Lead finish/Ball material values may wrap to two lines if the finish value exceeds the maximum column width.

Important Information and Disclaimer: The information provided on this page represents TI's knowledge and belief as of the date that it is provided. TI bases its knowledge and belief on information provided by third parties, and makes no representation or warranty as to the accuracy of such information. Efforts are underway to better integrate information from third parties. TI has taken and continues to take reasonable steps to provide representative and accurate information but may not have conducted destructive testing or chemical analysis on incoming materials and chemicals. TI and TI suppliers consider certain information to be proprietary, and thus CAS numbers and other limited information may not be available for release.

In no event shall TI's liability arising out of such information exceed the total purchase price of the TI part(s) at issue in this document sold by TI to Customer on an annual basis.

TAPE AND REEL INFORMATION

QUADRANT ASSIGNMENTS FOR PIN 1 ORIENTATION IN TAPE


*All dimensions are nominal

Device	Package Type	Package Drawing	Pins	SPQ	Reel Diameter (mm)	Reel Width W1 (mm)	A0 (mm)	B0 (mm)	K0 (mm)	P1 (mm)	W (mm)	Pin1 Quadrant
TPS22976ADPUR	WSON	DPU	14	3000	180.0	8.4	2.25	3.25	1.05	4.0	8.0	Q1
TPS22976DPUR	WSON	DPU	14	3000	180.0	8.4	2.25	3.25	1.05	4.0	8.0	Q1
TPS22976DPUT	WSON	DPU	14	250	180.0	8.4	2.25	3.25	1.05	4.0	8.0	Q1
TPS22976NDPUR	WSON	DPU	14	3000	180.0	8.4	2.25	3.25	1.05	4.0	8.0	Q1
TPS22976NDPUT	WSON	DPU	14	250	180.0	8.4	2.25	3.25	1.05	4.0	8.0	Q1

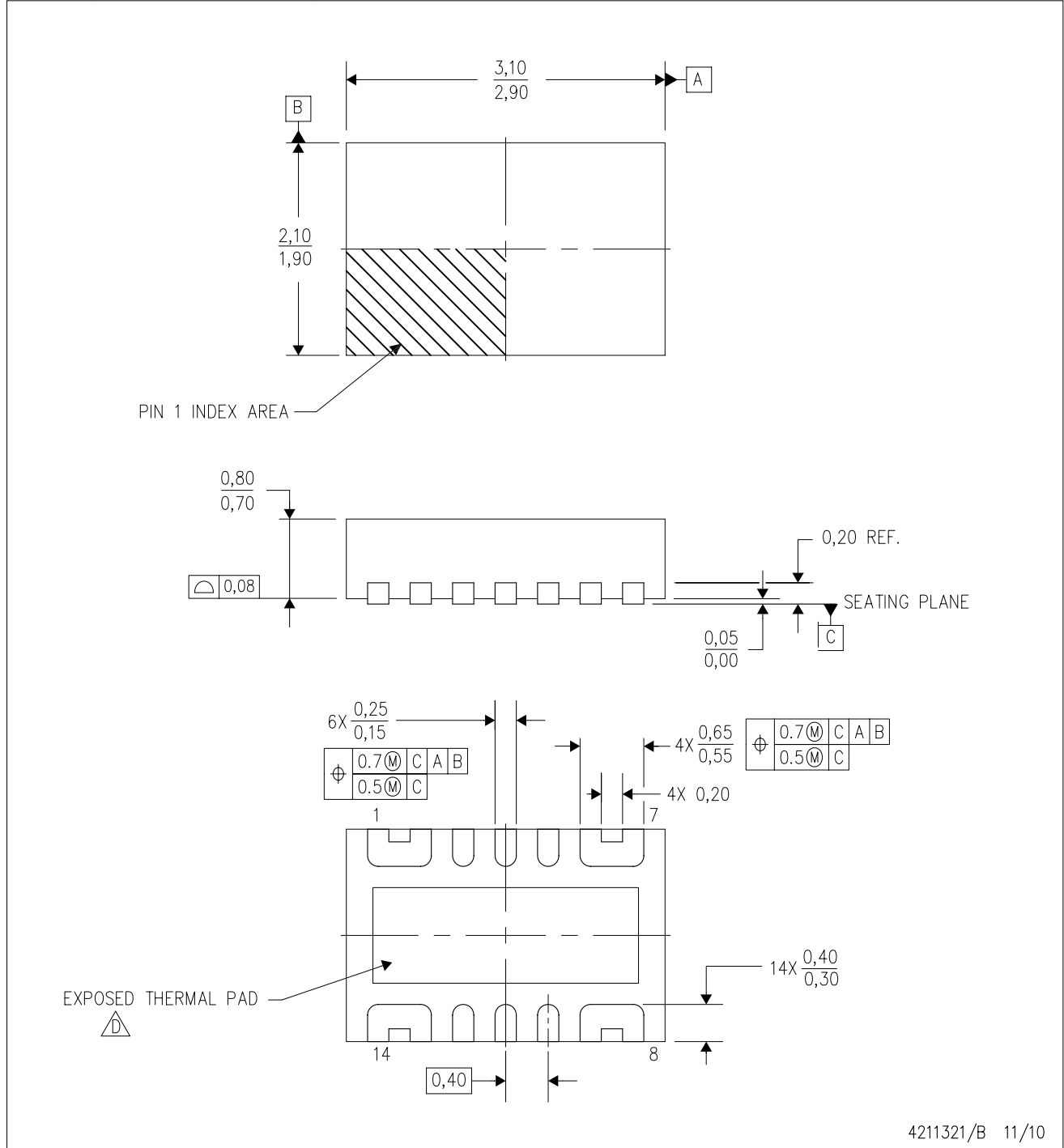
TAPE AND REEL BOX DIMENSIONS


*All dimensions are nominal


Device	Package Type	Package Drawing	Pins	SPQ	Length (mm)	Width (mm)	Height (mm)
TPS22976ADPUR	WSON	DPU	14	3000	210.0	185.0	35.0
TPS22976DPUR	WSON	DPU	14	3000	182.0	182.0	20.0
TPS22976DPUT	WSON	DPU	14	250	182.0	182.0	20.0
TPS22976NDPUR	WSON	DPU	14	3000	182.0	182.0	20.0
TPS22976NDPUT	WSON	DPU	14	250	182.0	182.0	20.0

DPU (R-PWSON-N14)

PLASTIC SMALL OUTLINE NO-LEAD



4211321/B 11/10

- NOTES:
- All linear dimensions are in millimeters. Dimensioning and tolerancing per ASME Y14.5M-1994.
 - This drawing is subject to change without notice.
 - Small Outline No-Lead (SON) package configuration.
 -  The package thermal pad must be soldered to the board for thermal and mechanical performance. See the Product Data Sheet for details regarding the exposed thermal pad dimensions.
 - This package is Pb-free.

THERMAL PAD MECHANICAL DATA

DPU (R-PWSON-N14)

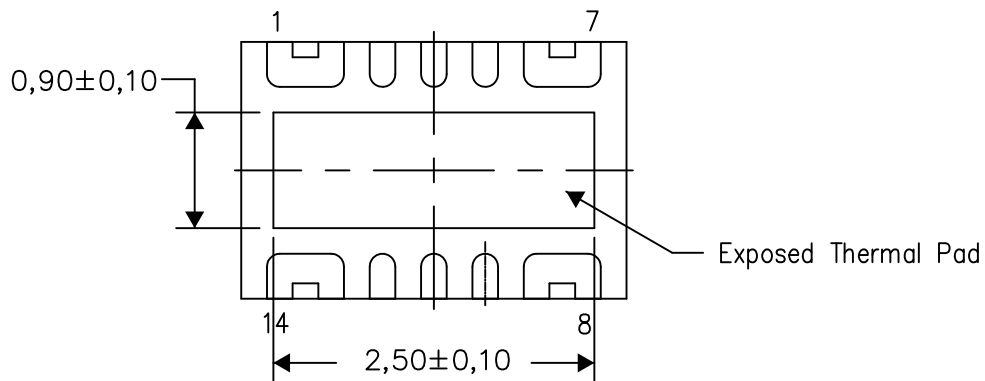
PLASTIC SMALL OUTLINE NO-LEAD

THERMAL INFORMATION

This package incorporates an exposed thermal pad that is designed to be attached directly to an external heatsink. The thermal pad must be soldered directly to the printed circuit board (PCB). After soldering, the PCB can be used as a heatsink. In addition, through the use of thermal vias, the thermal pad can be attached directly to the appropriate copper plane shown in the electrical schematic for the device, or alternatively, can be attached to a special heatsink structure designed into the PCB. This design optimizes the heat transfer from the integrated circuit (IC).

For information on the Quad Flatpack No-Lead (QFN) package and its advantages, refer to Application Report, QFN/SON PCB Attachment, Texas Instruments Literature No. SLUA271. This document is available at www.ti.com.

The exposed thermal pad dimensions for this package are shown in the following illustration.



Bottom View

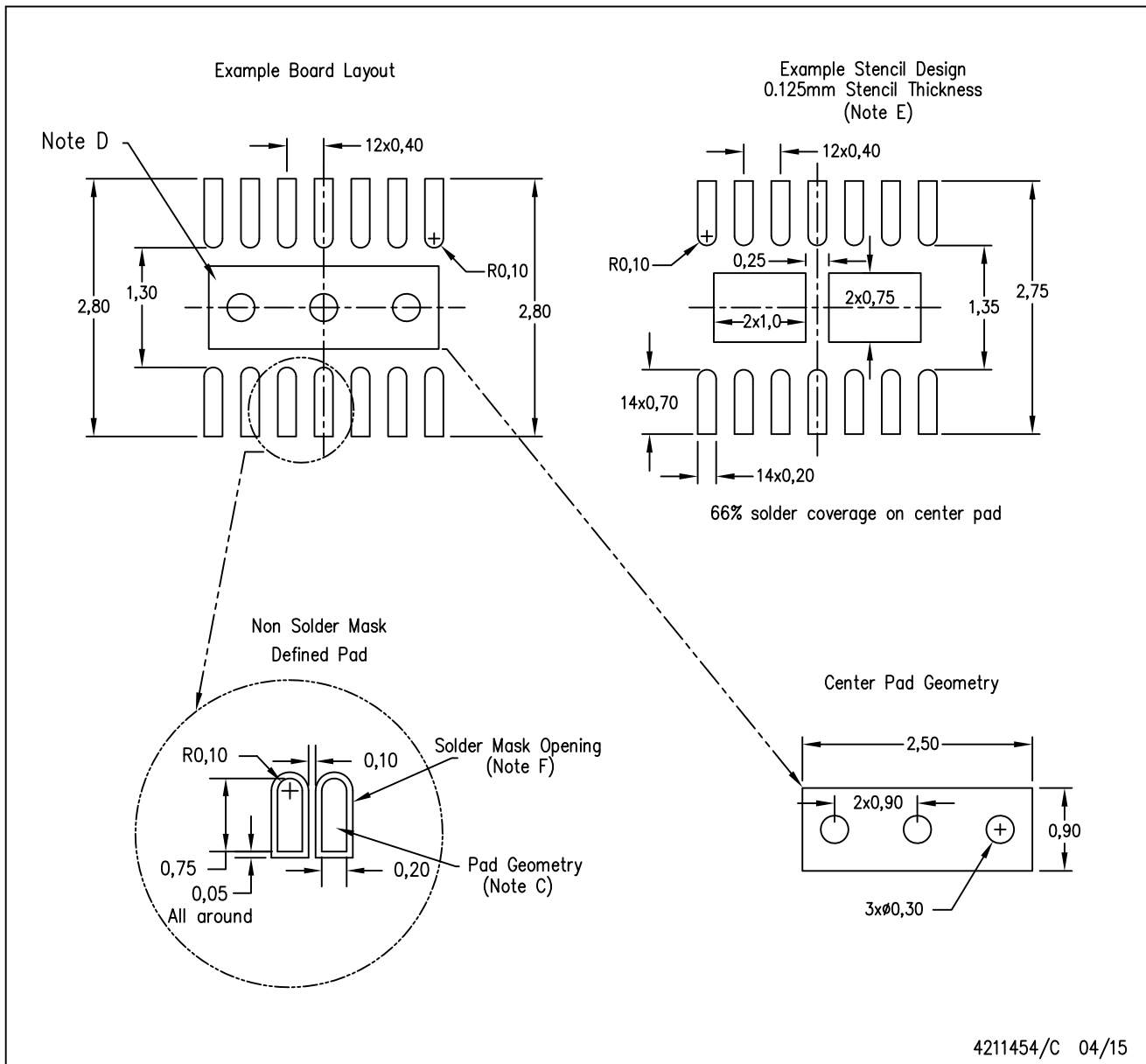
Exposed Thermal Pad Dimensions

4211395/C 04/15

NOTE: All linear dimensions are in millimeters

DPU (R-PWSON-N14)

PLASTIC SMALL OUTLINE NO-LEAD



4211454/C 04/15

- NOTES:
- All linear dimensions are in millimeters.
 - This drawing is subject to change without notice.
 - Publication IPC-7351 is recommended for alternate designs.
 - This package is designed to be soldered to a thermal pad on the board. Refer to Application Note, QFN/SON PCB Attachment, Texas Instruments Literature No. SLUA271, and also the Product Data Sheets for specific thermal information, via requirements, and recommended board layout. These documents are available at www.ti.com <<http://www.ti.com>>.
 - Laser cutting apertures with trapezoidal walls and also rounding corners will offer better paste release. Customers should contact their board assembly site for stencil design recommendations. Refer to IPC 7525 for stencil design considerations.
 - Customers should contact their board fabrication site for minimum solder mask web tolerances between signal pads.

IMPORTANT NOTICE AND DISCLAIMER

TI PROVIDES TECHNICAL AND RELIABILITY DATA (INCLUDING DATA SHEETS), DESIGN RESOURCES (INCLUDING REFERENCE DESIGNS), APPLICATION OR OTHER DESIGN ADVICE, WEB TOOLS, SAFETY INFORMATION, AND OTHER RESOURCES "AS IS" AND WITH ALL FAULTS, AND DISCLAIMS ALL WARRANTIES, EXPRESS AND IMPLIED, INCLUDING WITHOUT LIMITATION ANY IMPLIED WARRANTIES OF MERCHANTABILITY, FITNESS FOR A PARTICULAR PURPOSE OR NON-INFRINGEMENT OF THIRD PARTY INTELLECTUAL PROPERTY RIGHTS.

These resources are intended for skilled developers designing with TI products. You are solely responsible for (1) selecting the appropriate TI products for your application, (2) designing, validating and testing your application, and (3) ensuring your application meets applicable standards, and any other safety, security, regulatory or other requirements.

These resources are subject to change without notice. TI grants you permission to use these resources only for development of an application that uses the TI products described in the resource. Other reproduction and display of these resources is prohibited. No license is granted to any other TI intellectual property right or to any third party intellectual property right. TI disclaims responsibility for, and you will fully indemnify TI and its representatives against, any claims, damages, costs, losses, and liabilities arising out of your use of these resources.

TI's products are provided subject to [TI's Terms of Sale](#) or other applicable terms available either on [ti.com](https://www.ti.com) or provided in conjunction with such TI products. TI's provision of these resources does not expand or otherwise alter TI's applicable warranties or warranty disclaimers for TI products.

TI objects to and rejects any additional or different terms you may have proposed.

Mailing Address: Texas Instruments, Post Office Box 655303, Dallas, Texas 75265
Copyright © 2024, Texas Instruments Incorporated