

# DP83TC813x-Q1 TC-10 Compliant Small Form Factor 100BASE-T1 Automotive Ethernet PHY

## 1 Features

- Open Alliance and IEEE 802.3bw 100BASE-T1 compliant
  - Passes Level IV emissions with Integrated LPF
  - TC-10 compliant with < 20µA sleep current
- Small Form Factor: 28 pin VQFN (5mm × 4mm)
- SAE J2962-3 EMC compliant
- Configurable I/O voltages: 3.3V, 2.5V, and 1.8V
- MAC interfaces: MII, RMII, RGMII and SGMII
- Optional separate voltage rail for MAC interface pins (3.3V, 2.5V, 1.8V)
- AEC-Q100 qualified for automotive applications:
  - Temperature grade 1: –40°C to +125°C ambient operating temperature
  - ±8kV HBM ESD for pins 19 and 20
  - IEC61000-4-2 ESD classification level 4 for pins 19 and 20: ±8kV contact discharge
- IEEE 1588 SFD support
- TSN compliant with 802.3br frame pre-emption support
- Low active power operation: < 230mW
- Diagnostic toolkit
  - Signal quality indication (SQI)
  - Time domain reflectometry (TDR)
  - Electrostatic discharge sensor
  - Voltage sensor
  - PRBS Built-in Self-Test
  - Loopbacks
- VQFN, wettable flank packaging
- [Functional Safety-Capable](#)
  - [Documentation available to aid in functional safety system design](#)

## 2 Applications

- [ADAS](#)
- [Gateway and body control](#)
- [Telematics](#)

## 3 Description

The DP83TC813-Q1 device is an IEEE 802.3bw-compliant automotive PHYTER™ ethernet physical layer transceiver which work with the unshielded twisted pair cable. The PHY supports TC10 sleep and wake features. The PHY provides all physical layer functions needed to transmit and receive data over unshielded single twisted-pair cables. The device provides xMII flexibility with support for standard MII, RMII, RGMII, and SGMII MAC interfaces. The PHY also integrates a low-pass filter on the MDI side to reduce emissions.

This device includes the Diagnostic Tool Kit, providing an extensive list of real-time monitoring tools, debug tools, and test modes. Within the toolkit is the first integrated electrostatic discharge (ESD) monitoring tool. The device can count ESD events on MDI as well as providing real-time monitoring through the use of a programmable interrupt. Additionally, the DP83TC813-Q1 includes a pseudo-random binary sequence (PRBS) frame generation tool, which is fully compatible with internal loopbacks, to transmit and receive data without the use of a MAC. The device is housed in a 5.00mm × 4.00mm, 28 pin VQFN wettable flank package.

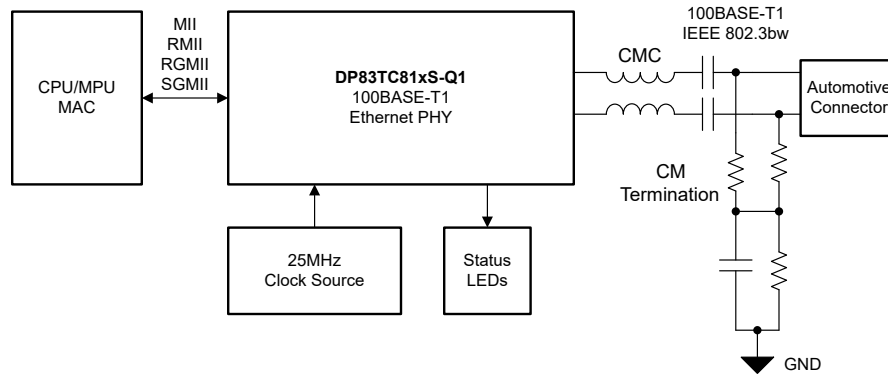
### Package Information

PART NUMBER	PACKAGE <sup>(1)</sup>	PACKAGE SIZE <sup>(2)</sup>
DP83TC813S-Q1	RHF (VQFN, 28)	5.00mm × 4.00mm
DP83TC813R-Q1	RHF (VQFN, 28)	5.00mm × 4.00mm

(1) For more information, see [Section 12](#).

(2) The package size (length × width) is a nominal value and includes pins, where applicable.





**Simplified Schematic**

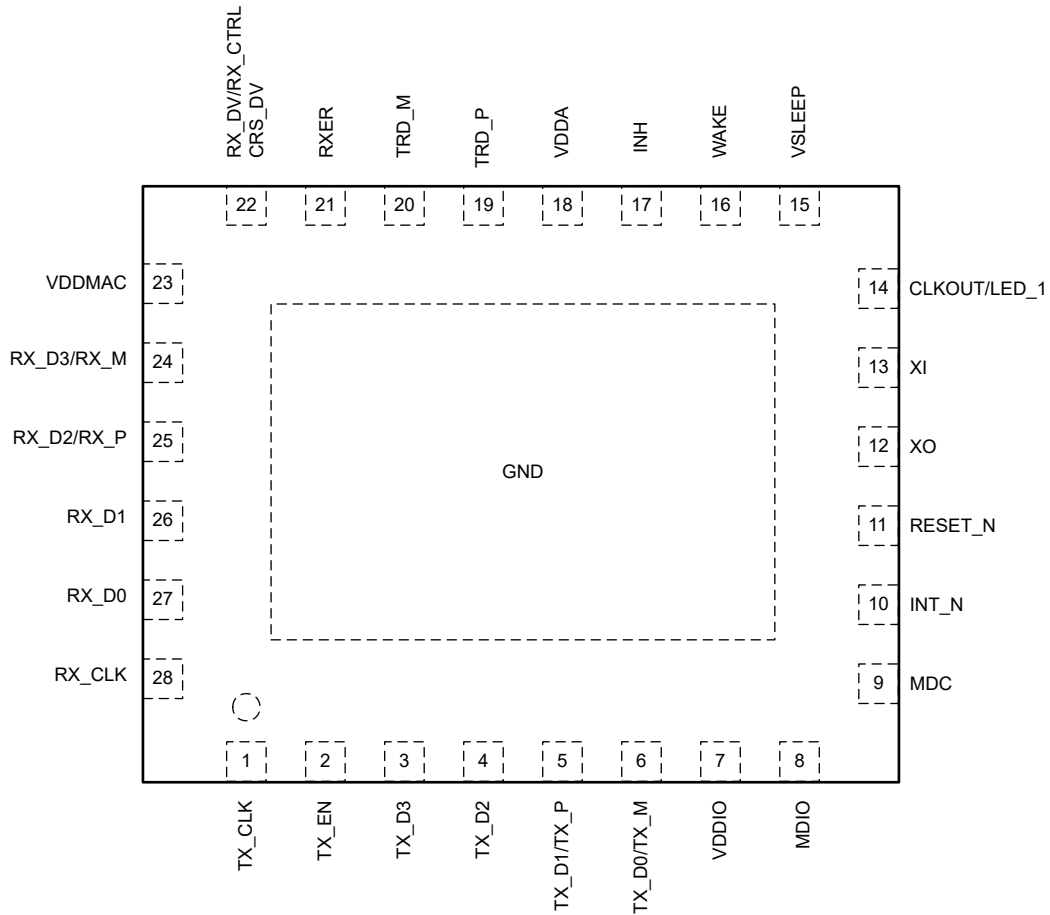
## Table of Contents

<b>1 Features</b> .....	<b>1</b>	7.5 Programming.....	<b>55</b>
<b>2 Applications</b> .....	<b>1</b>	<b>8 Register Maps</b> .....	<b>59</b>
<b>3 Description</b> .....	<b>1</b>	8.1 Register Access Summary.....	<b>59</b>
<b>4 Device Comparison Table</b> .....	<b>4</b>	8.2 DP83TC813 Registers.....	<b>60</b>
<b>5 Pin Configuration and Functions</b> .....	<b>5</b>	<b>9 Application and Implementation</b> .....	<b>159</b>
<b>6 Specifications</b> .....	<b>15</b>	9.1 Application Information.....	<b>159</b>
6.1 Absolute Maximum Ratings.....	<b>15</b>	9.2 Typical Applications.....	<b>159</b>
6.2 ESD Ratings.....	<b>15</b>	9.3 Power Supply Recommendations.....	<b>164</b>
6.3 Recommended Operating Conditions.....	<b>15</b>	9.4 Layout.....	<b>165</b>
6.4 Thermal Information.....	<b>16</b>	<b>10 Device and Documentation Support</b> .....	<b>168</b>
6.5 Electrical Characteristics.....	<b>16</b>	10.1 Receiving Notification of Documentation Updates.....	<b>168</b>
6.6 Timing Requirements.....	<b>21</b>	10.2 Support Resources.....	<b>168</b>
6.7 Timing Diagrams.....	<b>24</b>	10.3 Community Resources.....	<b>168</b>
6.8 Typical Characteristics.....	<b>30</b>	10.4 Trademarks.....	<b>168</b>
<b>7 Detailed Description</b> .....	<b>31</b>	10.5 Electrostatic Discharge Caution.....	<b>168</b>
7.1 Overview.....	<b>31</b>	10.6 Glossary.....	<b>168</b>
7.2 Functional Block Diagram.....	<b>32</b>	<b>11 Revision History</b> .....	<b>168</b>
7.3 Feature Description.....	<b>33</b>	<b>12 Mechanical, Packaging, and Orderable Information</b> .....	<b>169</b>
7.4 Device Functional Modes.....	<b>43</b>		

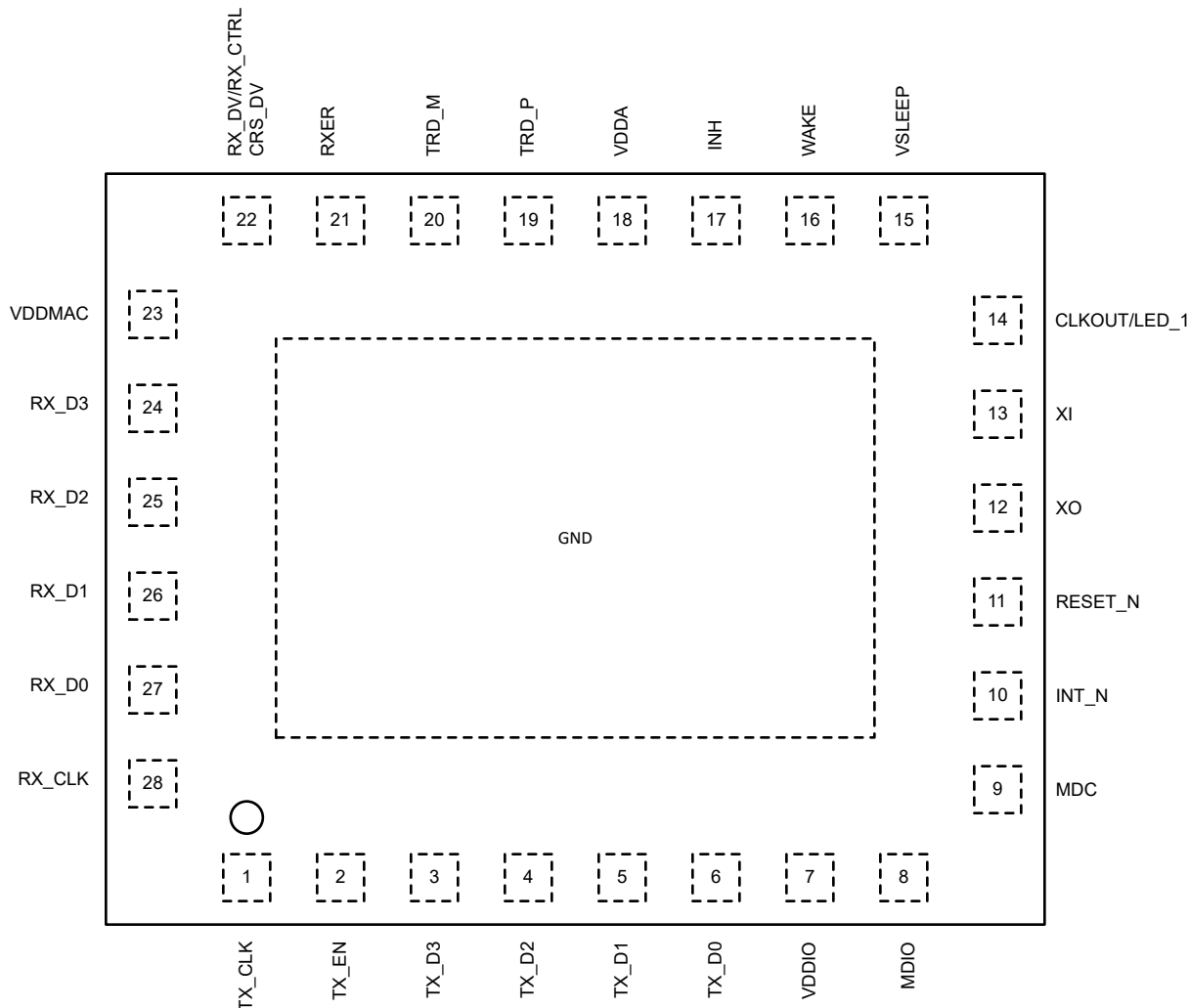
## 4 Device Comparison Table

PART NUMBER	SGMII SUPPORT	OPERATING TEMPERATURE
DP83TC813R-Q1	No	-40°C to 125°C
DP83TC813S-Q1	Yes	-40°C to 125°C

## 5 Pin Configuration and Functions



**Figure 5-1. DP83TC813S-Q1 RHF Package  
 28-Pin VQFN  
 Top View**



**Figure 5-2. DP83TC813R-Q1 RHF Package  
28-Pin VQFN  
Top View**

**Table 5-1. Pin Functions**

PIN		TYPE <sup>(1)</sup>	DESCRIPTION
NAME <sup>(2)</sup>	NO.		
<b>MAC INTERFACE</b>			
RX_D3 RX_M	24	S, PD, O	<b>Receive Data:</b> Symbols received on the cable are decoded and transmitted out of these pins synchronous to the rising edge of RX_CLK. The pin contains valid data when RX_DV is asserted. A data nibble, RX_D[3:0], is transmitted in MII and RGMII modes. 2 bits; RX_D[1:0], are transmitted in RMII mode. RX_D[3:2] are not used when in RMII Follower mode.  If the PHY is bootstrapped to RMII Leader mode, a 50MHz clock reference is automatically outputted on RX_D3. This clock must be fed to the MAC.  <b>RX_M / RX_P:</b> Differential SGMII Data Output. These pins transmit data from the PHY to the MAC.
RX_D2 RX_P	25		
RX_D1	26		
RX_D0	27		
RX_CLK	28	S, PD, O	<b>Receive Clock:</b> In MII and RGMII modes, the receive clock provides a 25MHz reference clock. <b>Unused in RMII and SGMII modes</b>

**Table 5-1. Pin Functions (continued)**

PIN		TYPE <sup>(1)</sup>	DESCRIPTION
NAME <sup>(2)</sup>	NO.		
RX_ER	21	S, PD, O	<p><b>Receive Error:</b> In MII and RMII modes, this pin indicates a receive error symbol has been detected within a received packet. In MII mode, RX_ER is asserted high synchronously to the rising edge of RX_CLK. In RMII mode, RX_ER is asserted high synchronously to the rising edge of the reference clock. This pin is not required to be used by the MAC in MII or RMII because the PHY automatically corrupts data on a receive error.</p> <p><b>Unused in RGMII and SGMII modes</b></p>
RX_DV CRS_DV RX_CTRL	22	S, PD, O	<p><b>Receive Data Valid:</b> This pin indicates when valid data is presented on RX_D[3:0] for MII mode.</p> <p><b>Carrier Sense Data Valid:</b> This pin combines carrier sense and data valid into an asynchronous signal. When CRS_DV is asserted, data is presented on RX_D[1:0] in RMII mode.</p> <p><b>RGMII Receive Control:</b> Receive control combines receive data valid indication and receive error indication into a signal. RX_DV is presented on the rising edge of RX_CLK and RX_ER is presented on the falling edge of RX_CLK.</p> <p>Set register 0x0551 = 0x0000 to configure this pin as RX_DV, set register 0x0551 = 0x0010 (Default) to program this pin as CRS_DV.</p> <p><b>Unused in SGMII mode</b></p>
TX_CLK	1	PD, I, O	<p><b>Transmit Clock:</b> In MII mode, the transmit clock is a 25MHz output (50Ω Driver) and has constant phase referenced to the reference clock. In RGMII mode, this clock is sourced from the MAC layer to the PHY. A 25MHz clock must be provided (not required to have constant phase to the reference clock unless synchronous RGMII is enabled).</p> <p><b>Unused in RMII and SGMII modes</b></p>
TX_EN TX_CTRL	2	PD, I	<p><b>Transmit Enable:</b> In MII mode, transmit enable is presented before the rising edge of the transmit clock. TX_EN indicates the presence of valid data inputs on TX_D[3:0]. In RMII mode, transmit enable is presented before the rising edge of the reference clock. TX_EN indicates the presence of valid data inputs on TX_D[1:0].</p> <p><b>RGMII Transmit Control:</b> Transmit control combines transmit enable and transmit error indication into a signal. TX_EN is presented before the rising edge of TX_CLK; TX_ER is presented before the falling edge of TX_CLK.</p> <p><b>Unused in SGMII mode</b></p>
TX_D3	3	PD, I	<p><b>Transmit Data:</b> In MII and RGMII modes, the transmit data nibble, TX_D[3:0], is received from the MAC before the rising edge of TX_CLK. In RMII mode, TX_D[1:0] is received from the MAC before the rising edge of the reference clock. TX_D[3:2] are not used in RMII mode.</p> <p><b>TX_M / TX_P:</b> Differential SGMII Data Input. These pins receive data that is transmitted from the MAC to the PHY.</p>
TX_D2	4		
TX_D1 TX_P	5		
TX_D0 TX_M	6		
<b>SERIAL MANAGEMENT INTERFACE</b>			
MDC	9	I	<p><b>Management Data Clock:</b> Synchronous clock to the MDIO serial management input and output data. This clock can be asynchronous to the MAC transmit and receive clocks.</p>
MDIO	8	OD, IO	<p><b>Management Data Input/Output:</b> Bidirectional management data signal that can be sourced by the management station or the PHY. This pin requires a pullup resistor. In systems with multiple PHYs using same MDIO-MDC bus, a pull-up resistor to VDDIO must be used on MDIO line. Recommended to use a resistor from 2.2kΩ to 9kΩ.</p> <p>MDIO/MDC Access is required to pass Open Alliance Compliance. See <a href="#">Section 7.3.2</a></p>
<b>CONTROL INTERFACE</b>			

**Table 5-1. Pin Functions (continued)**

PIN		TYPE <sup>(1)</sup>	DESCRIPTION
NAME <sup>(2)</sup>	NO.		
INT	10	PU, OD, IO	<b>Interrupt:</b> Active-LOW output, which is asserted LOW when an interrupt condition occurs. This pin has a weak internal pullup. Register access is necessary to enable various interrupt triggers. Once an interrupt event flag is set, register access is required to clear the interrupt event. This pin can be configured as an Active-HIGH output using register <i>0x0011</i> . Interrupt status from Reg 12-13 is recommended to be read only when INT_N is LOW. This pin can also operate as Power-Down control where asserting this pin low puts the PHY in power down mode and asserting high puts the PHY in normal mode. This feature can also be enabled with register <i>0x0011</i> .
RESET	11	PU, I	<b>Reset:</b> Active-LOW input, which initializes or reinitializes the PHY. Asserting this pin LOW for at least 1μs forces a reset process to occur. All internal registers reinitializes to the default states as specified for each bit in the Register Maps section. All bootstrap pins are resampled upon deassertion of reset.
WAKE	16	PD, I/O	<b>WAKE:</b> Active-HIGH input, which wakes the PHY from TC-10 SLEEP. Asserting this pin HIGH at power-up prevents the PHY from going to SLEEP. External 10kΩ pull down resistor can be used when implementing TC-10 circuit to prevent accidental wake-up. This pin can be directly tied to VSLEEP to wake the device.
INH	17	O, OD	<b>INH:</b> Active-HIGH output. This pin is Hi-Z when the PHY is in TC-10 SLEEP. This pin is HIGH for all other PHY states. External 2kΩ - 10kΩ pull down resistor must be used when implementing TC-10 circuit. If multiple devices are sharing INH pin, then a pull down resistor must be used.
<b>CLOCK INTERFACE</b>			
XI	13	I	<b>Reference Clock Input (RMII):</b> Reference clock 50MHz CMOS-level oscillator in RMII Follower mode. Reference clock 25MHz crystal or oscillator in RMII Leader mode. <b>Reference Clock Input (Other MAC Interfaces):</b> Reference clock 25MHz crystal or oscillator input. The device supports either an external crystal resonator connected across pins XI and XO, or an external CMOS-level oscillator connected to pin XI only and XO left floating. If using a crystal, connect a 100Ω resistor in series with the XI pin
XO	12	O	<b>Reference Clock Output:</b> XO pin is used for crystal only. This pin must be left floating when a CMOS-level oscillator is connected to XI.
<b>LED/GPIO INTERFACE</b>			
CLKOUT / LED_1	14	IO	<b>Clock Output:</b> 25MHz reference clock in all modes except RMII Follower, which is 50MHz instead. This pin can be used as LED or GPIO with register configuration. Program register<0x045F>=0x000F and register<0x0453>=0x0003 to disable switching on clkout pin.
<b>MEDIUM DEPENDENT INTERFACE</b>			
TRD_M	20	IO	<b>Differential Transmit and Receive:</b> Bidirectional differential signaling configured for 100BASE-T1 operation, IEEE 802.3bw compliant.
TRD_P	19		
<b>POWER CONNECTIONS</b>			
VDDA	18	SUPPLY	<b>Core Supply:</b> 3.3V Recommend using 0.47μF and 0.01μF ceramic decoupling capacitors; optional ferrite bead can also be used.
VDDIO	7	SUPPLY	<b>IO Supply:</b> 1.8V, 2.5V, or 3.3V Recommend using ferrite bead 0.47μF, and 0.01μF ceramic decoupling capacitors.
VDDMAC	23	SUPPLY	<b>Optional MAC Interface Supply:</b> 1.8V, 2.5V, or 3.3V Optional separate supply for MAC interface pins. This pin supplies power to the MAC interface pins and can be kept at a different voltage level as compared to other IO pins. Recommend using 0.47μF, and 0.01μF ceramic decoupling capacitors; optional ferrite bead. When separate VDDMAC is not required in the system then the pin must be connected to VDDIO. When connecting to VDDIO, 0.47μF can be removed.

**Table 5-1. Pin Functions (continued)**

PIN		TYPE <sup>(1)</sup>	DESCRIPTION
NAME <sup>(2)</sup>	NO.		
VSLEEP	15	SUPPLY	<b>VSLEEP Supply:</b> 3.3V Recommend using 0.1µF ceramic decoupling capacitors.
GROUND	DAP	GROUND	<b>Ground:</b> This must always be connected to power ground.

- (1) Pin Type:  
 I = Input  
 O = Output  
 IO = Input/Output  
 OD = Open Drain  
 PD = Internal pulldown  
 PU = Internal pullup  
 S = Bootstrap configuration pin (all configuration pins have weak internal pullups or pulldowns)
- (2) When pins are unused, follow the recommended connection requirements provided in the table above. If pins do not have required termination, the pins can be left floating.

**Table 5-2. Pin Domain**

Input pins with external pull-up resistors should pull to the domain indicated in Table

PIN NO	PIN NAME	VOLTAGE DOMAIN
9	MDC	VDDIO
10	INT_N	VDDIO
11	RESET_N	VDDIO
12	XO	VDDIO
13	XI	VDDIO
14	LED_1/GPIO_1	VDDIO
16	WAKE	VSLEEP
17	INH	VSLEEP
19	TRD_P	VDDA
20	TRD_M	VDDA
21	RX_ER	VDDMAC
22	RX_DV/CRS_DV/RX_CTRL	VDDMAC
24	RX_D3/RX_M	VDDMAC
25	RX_D2/RX_P	VDDMAC
26	RX_D1	VDDMAC
27	RX_D0	VDDMAC
28	RX_CLK	VDDMAC
1	TX_CLK	VDDMAC
2	TX_EN/TX_CTRL	VDDMAC
3	TX_D3	VDDMAC
4	TX_D2	VDDMAC
5	TX_D1/TX_P	VDDMAC
6	TX_D0/TX_M	VDDMAC
8	MDIO	VDDIO

**Table 5-3. Pin States - POWER-UP / RESET**

PIN		POWER-UP / RESET		
NO.	NAME	TYPE <sup>(1)</sup>	PULL TYPE	PULL VALUE (kΩ)
9	MDC	I	none	none
10	INT	I	PU	9

**Table 5-3. Pin States - POWER-UP / RESET (continued)**

PIN		POWER-UP / RESET		
NO.	NAME	TYPE <sup>(1)</sup>	PULL TYPE	PULL VALUE (kΩ)
11	RESET	I	PU	9
12	XO	O	none	none
13	XI	I	none	none
15	VSLEEP	SUPPLY	none	none
16	WAKE	I/O	PD	455
17	INH	OD, O	none	none
18	VDDA	SUPPLY	none	none
19	TRD_P	IO	none	none
20	TRD_M	IO	none	none
21	RX_ER	I	PD	6
22	RX_DV	I	PD	6
23	VDDMAC	SUPPLY	none	none
24	RX_D3	I	PD	9
25	RX_D2	I	PD	9
26	RX_D1	I	PD	9
27	RX_D0	I	PD	9
28	RX_CLK	I	PD	9
1	TX_CLK	I	none	none
2	TX_EN	I	none	none
3	TX_D3	I	none	none
4	TX_D2	I	none	none
5	TX_D1	I	none	none
6	TX_D0	I	none	none
7	VDDIO	SUPPLY	none	none
8	MDIO	OD, IO	none	none

**Table 5-4. Pin States - TC10 SLEEP**

PIN		TC10 SLEEP (All Supplies On)		
NO.	NAME	TYPE <sup>(1)</sup>	PULL TYPE	PULL VALUE (kΩ)
9	MDC	I	none	none
10	INT	I	PU	9
11	RESET	I	PU	9
12	XO	O	none	none
13	XI	I	none	none
15	VSLEEP	SUPPLY	none	none
16	WAKE	I/O	PD	455
17	INH	OD, O	none	none
18	VDDA	SUPPLY	none	none
19	TRD_P	IO	none	none
20	TRD_M	IO	none	none
21	RX_ER	I	PD	6
22	RX_DV	I	PD	6
23	VDDMAC	SUPPLY	none	none

**Table 5-4. Pin States - TC10 SLEEP (continued)**

PIN		TC10 SLEEP (All Supplies On)		
NO.	NAME	TYPE <sup>(1)</sup>	PULL TYPE	PULL VALUE (kΩ)
24	RX_D3	I	PD	9
25	RX_D2	I	PD	9
26	RX_D1	I	PD	9
27	RX_D0	I	PD	9
28	RX_CLK	I	PD	9
1	TX_CLK	I	none	none
2	TX_EN	I	none	none
3	TX_D3	I	none	none
4	TX_D2	I	none	none
5	TX_D1	I	none	none
6	TX_D0	I	none	none
7	VDDIO	SUPPLY	none	none
8	MDIO	OD, IO	none	none

**Table 5-5. Pin States - MAC ISOLATE and IEEE PWDN**

PIN		MAC ISOLATE			IEEE PWDN		
NO.	NAME	TYPE <sup>(1)</sup>	PULL TYPE	PULL VALUE (kΩ)	TYPE <sup>(1)</sup>	PULL TYPE	PULL VALUE (kΩ)
9	MDC	I	none	none	I	none	none
10	$\overline{\text{INT}}$	OD, O	PU	9	OD, O	PU	9
11	$\overline{\text{RESET}}$	I	PU	9	I	PU	9
12	XO	O	none	none	O	none	none
13	XI	I	none	none	I	none	none
15	VSLEEP	SUPPLY	none	none	SUPPLY	none	none
16	WAKE	IO	PD	455	IO	PD	455
17	INH	OD, O	none	none	OD, O	none	none
18	VDDA	SUPPLY	none	none	SUPPLY	none	none
19	TRD_P	IO	none	none	IO	none	none
20	TRD_M	IO	none	none	IO	none	none
21	RX_ER	I	PD	6	I	PD	6
22	RX_DV	I	PD	6	O	none	none
23	VDDMAC	SUPPLY	none	none	SUPPLY	none	none
24	RX_D3	I	PD	9	O	none	none
25	RX_D2	I	PD	9	O	none	none
26	RX_D1	I	PD	9	O	none	none
27	RX_D0	I	PD	9	O	none	none
28	RX_CLK	I	PD	9	O	none	none
1	TX_CLK	I	PD	9	I	none	none
2	TX_EN	I	PD	9	I	none	none
3	TX_D3	I	PD	9	I	none	none
4	TX_D2	I	PD	9	I	none	none
5	TX_D1	I	PD	9	I	none	none
6	TX_D0	I	PD	9	I	none	none
7	VDDIO	SUPPLY	none	none	SUPPLY	none	none

**Table 5-5. Pin States - MAC ISOLATE and IEEE PWDN (continued)**

PIN		MAC ISOLATE			IEEE PWDN		
NO.	NAME	TYPE <sup>(1)</sup>	PULL TYPE	PULL VALUE (kΩ)	TYPE <sup>(1)</sup>	PULL TYPE	PULL VALUE (kΩ)
8	MDIO	OD, IO	none	none	OD, IO	none	none

**Table 5-6. Pin States - MII and RGMII**

PIN		MII			RGMII		
NO.	NAME	TYPE <sup>(1)</sup>	PULL TYPE	PULL VALUE (kΩ)	TYPE <sup>(1)</sup>	PULL TYPE	PULL VALUE (kΩ)
9	MDC	I	none	none	I	none	none
10	INT	OD, O	PU	9	OD, O	PU	9
11	RESET	I	PU	9	I	PU	9
12	XO	O	none	none	O	none	none
13	XI	I	none	none	I	none	none
15	VSLEEP	SUPPLY	none	none	SUPPLY	none	none
16	WAKE	IO	PD	455	IO	PD	455
17	INH	OD, O	none	none	OD, O	none	none
18	VDDA	SUPPLY	none	none	SUPPLY	none	none
19	TRD_P	IO	none	none	IO	none	none
20	TRD_M	IO	none	none	IO	none	none
21	RX_ER	O	none	none	I	PD	6
22	RX_DV	O	none	none	O	none	none
23	VDDMAC	SUPPLY	none	none	SUPPLY	none	none
24	RX_D3	O	none	none	O	none	none
25	RX_D2	O	none	none	O	none	none
26	RX_D1	O	none	none	O	none	none
27	RX_D0	O	none	none	O	none	none
28	RX_CLK	O	none	none	O	none	none
1	TX_CLK	O	none	none	I	none	none
2	TX_EN	I	none	none	I	none	none
3	TX_D3	I	none	none	I	none	none
4	TX_D2	I	none	none	I	none	none
5	TX_D1	I	none	none	I	none	none
6	TX_D0	I	none	none	I	none	none
7	VDDIO	SUPPLY	none	none	SUPPLY	none	none
8	MDIO	OD, IO	none	none	OD, IO	none	none

**Table 5-7. Pin States - RMII LEADER and RMII FOLLOWER**

PIN		RMII LEADER			RMII FOLLOWER		
NO	NAME	TYPE <sup>(1)</sup>	PULL TYPE	PULL VALUE (kΩ)	TYPE <sup>(1)</sup>	PULL TYPE	PULL VALUE (kΩ)
9	MDC	I	none	none	I	none	none
10	INT	OD, O	PU	9	OD, O	PU	9
11	RESET	I	PU	9	I	PU	9
12	XO	O	none	none	O	none	none
13	XI	I	none	none	I	none	none
15	VSLEEP	SUPPLY	none	none	SUPPLY	none	none
16	WAKE	IO	PD	455	IO	PD	455

**Table 5-7. Pin States - RMII LEADER and RMII FOLLOWER (continued)**

PIN		RMII LEADER			RMII FOLLOWER		
NO	NAME	TYPE <sup>(1)</sup>	PULL TYPE	PULL VALUE (kΩ)	TYPE <sup>(1)</sup>	PULL TYPE	PULL VALUE (kΩ)
17	INH	OD, O	none	none	OD, O	none	none
18	VDDA	SUPPLY	none	none	SUPPLY	none	none
19	TRD_P	IO	none	none	IO	none	none
20	TRD_M	IO	none	none	IO	none	none
21	RX_ER	O	none	none	O	none	none
22	RX_DV	O	none	none	O	none	none
23	VDDMAC	SUPPLY	none	none	SUPPLY	none	none
24	RX_D3	O, 50MHz	none	none	I	PD	9
25	RX_D2	I	PD	9	I	PD	9
26	RX_D1	O	none	none	O	none	none
27	RX_D0	O	none	none	O	none	none
28	RX_CLK	I	PD	9	I	PD	9
1	TX_CLK	I	none	none	I	none	none
2	TX_EN	I	none	none	I	none	none
3	TX_D3	I	none	none	I	none	none
4	TX_D2	I	none	none	I	none	none
5	TX_D1	I	none	none	I	none	none
6	TX_D0	I	none	none	I	none	none
7	VDDIO	SUPPLY	none	none	SUPPLY	none	none
8	MDIO	OD, IO	none	none	OD, IO	none	none

**Table 5-8. Pin States - SGMII**

PIN		SGMII		
NO	NAME	TYPE <sup>(1)</sup>	PULL TYPE	PULL VALUE (kΩ)
9	MDC	I	none	none
10	INT	OD, O	PU	9
11	RESET	I	PU	9
12	XO	O	none	none
13	XI	I	none	none
15	VSLEEP	SUPPLY	none	none
16	WAKE	IO	PD	455
17	INH	OD, O	none	none
18	VDDA	SUPPLY	none	none
19	TRD_P	IO	none	none
20	TRD_M	IO	none	none
21	RX_ER	I	PD	6
22	RX_DV	I	PD	6
23	VDDMAC	SUPPLY	none	none
24	RX_D3	O	none	none
25	RX_D2	O	none	none
26	RX_D1	I	PD	9
27	RX_D0	I	PD	9
28	RX_CLK	I	PD	9

**Table 5-8. Pin States - SGMII (continued)**

PIN		SGMII		
NO	NAME	TYPE <sup>(1)</sup>	PULL TYPE	PULL VALUE (kΩ)
1	TX_CLK	I	none	none
2	TX_EN	I	none	none
3	TX_D3	I	none	none
4	TX_D2	I	none	none
5	TX_D1	I	none	none
6	TX_D0	I	none	none
7	VDDIO	SUPPLY	none	none
8	MDIO	OD, IO	none	none

- (1) Type: I = Input  
 O = Output  
 IO = Input/Output  
 OD = Open Drain  
 PD = Internal pulldown  
 PU = Internal pullup

## 6 Specifications

### 6.1 Absolute Maximum Ratings

over operating free-air temperature range (unless otherwise noted) <sup>(1)</sup>

		MIN	TYP	MAX	UNIT
Input Voltage	VDDA	-0.3		4	V
Input Voltage	VDDIO/VDDMAC (3.3V)	-0.3		4	V
Input Voltage	VDDIO/VDDMAC (2.5V)	-0.3		4	V
Input Voltage	VDDIO/VDDMAC (1.8V)	-0.3		4	V
Input Voltage	VSLEEP	-0.3		4	V
Pins	MDI	-0.3		4	V
Pins	MAC interface	-0.3	VDDMAC +	0.3	V
Pins	MDIO, MDC, GPIO, XI, XO, INT, RESET, CLKOUT	-0.3	VDDIO +	0.3	V
Pins	WAKE, INH	-0.3	VSLEEP +	0.3	V
DC Output Voltage	All Pins	-0.3		4	V
T <sub>J</sub>	Junction Temperature			150	°C
T <sub>stg</sub>	Storage temperature	-65		150	°C

- (1) Operation outside the Absolute Maximum Ratings may cause permanent device damage. Absolute Maximum Ratings do not imply functional operation of the device at these or any other conditions beyond those listed under Recommended Operating Conditions. If used outside the Recommended Operating Conditions but within the Absolute Maximum Ratings, the device may not be fully functional, and this may affect device reliability, functionality, performance, and shorten the device lifetime.

### 6.2 ESD Ratings

			VALUE	UNIT	
V <sub>(ESD)</sub>	Electrostatic discharge	Human body model (HBM), per AEC Q100-002 <sup>(1)</sup>	All pins	±2000	V
			TRD_N, TRD_P pins	±8000	
		Charged device model (CDM), per AEC Q100-011	Corner pins	±750	
			Other pins	±750	
		IEC 61000-4-2 contact discharge	TRD_N, TRD_P pins	±8000	

- (1) AEC Q100-002 indicates that HBM stressing shall be in accordance with the ANSI/ESDA/JEDEC JS-001 specification.

### 6.3 Recommended Operating Conditions

over operating free-air temperature range (unless otherwise noted)

		MIN	NOM	MAX	UNIT
VDDIO / VDDMAC	IO Supply Voltage, 1.8V operation	1.62	1.8	1.98	V
	IO Supply Voltage, 2.5V operation	2.25	2.5	2.75	
	IO Supply Voltage, 3.3V operation	2.97	3.3	3.63	
VDDA	Core Supply Voltage, 3.3V	2.97	3.3	3.63	V
VSLEEP	Sleep Supply Voltage, 3.3V	2.97	3.3	3.63	V
T <sub>A</sub>	Ambient temperature	-40		125	°C

## 6.4 Thermal Information

THERMAL METRIC <sup>(1)</sup>		DP83TC813	UNIT
		RHF (VQFN)	
		28 PINS	
R <sub>θJA</sub>	Junction-to-ambient thermal resistance	39.0	°C/W
R <sub>θJC(top)</sub>	Junction-to-case (top) thermal resistance	29.6	°C/W
R <sub>θJB</sub>	Junction-to-board thermal resistance	17.4	°C/W
Ψ <sub>JT</sub>	Junction-to-top characterization parameter	0.7	°C/W
Ψ <sub>JB</sub>	Junction-to-board characterization parameter	17.4	°C/W
R <sub>θJC(bot)</sub>	Junction-to-case (bottom) thermal resistance	5.8	°C/W

(1) For more information about traditional and new thermal metrics, see the [Semiconductor and IC Package Thermal Metrics](#) application note.

## 6.5 Electrical Characteristics

over operating free-air temperature range (unless otherwise noted)

PARAMETER		TEST CONDITIONS	MIN	TYP	MAX	UNIT
<b>100BASE-T1 PMA CONFORMANCE</b>						
V <sub>OD-MDI</sub>	Output Differential Voltage	R <sub>L(diff)</sub> = 100Ω			2.2	V
R <sub>MDI-Diff</sub>	Integrated Differential Output Termination	TRD_P and TRD_M		100		Ω
<b>BOOTSTRAP DC CHARACTERISTICS (2 Level)</b>						
V <sub>MODE1</sub>	Mode 1 Strap Voltage Range	VDDIO = 3.3V ±10%, 2-level strap	0		0.8	V
V <sub>MODE2</sub>	Mode 2 Strap Voltage Range	VDDIO = 3.3V ±10%, 2-level strap	2		VDDIO	V
V <sub>MODE1</sub>	Mode 1 Strap Voltage Range	VDDIO = 2.5V ±10%, 2-level strap	0		0.7	V
V <sub>MODE2</sub>	Mode 2 Strap Voltage Range	VDDIO = 2.5V ±10%, 2-level strap	1.5		VDDIO	V
V <sub>MODE1</sub>	Mode 1 Strap Voltage Range	VDDIO = 1.8V ±10%, 2-level strap	0		0.35 × VDDIO	V
V <sub>MODE2</sub>	Mode 2 Strap Voltage Range	VDDIO = 1.8V ±10%, 2-level strap	0.65 × VDDIO		VDDIO	V
<b>BOOTSTRAP DC CHARACTERISTICS (3 Level)</b>						
V <sub>MODE1</sub>	Mode 1 Strap Voltage Range	VDDIO = 3.3V ±10%, 3-level strap	0		0.18 × VDDIO	V
V <sub>MODE2</sub>	Mode 2 Strap Voltage Range	VDDIO = 3.3V ±10%, 3-level strap	0.22 × VDDIO		0.42 × VDDIO	V
V <sub>MODE3</sub>	Mode 3 Strap Voltage Range	VDDIO = 3.3V ±10%, 3-level strap	0.46 × VDDIO		VDDIO	V
V <sub>MODE1</sub>	Mode 1 Strap Voltage Range	VDDIO = 2.5V ±10%, 3-level strap	0		0.19 × VDDIO	V
V <sub>MODE2</sub>	Mode 2 Strap Voltage Range	VDDIO = 2.5V ±10%, 3-level strap	0.27 × VDDIO		0.41 × VDDIO	V
V <sub>MODE3</sub>	Mode 3 Strap Voltage Range	VDDIO = 2.5V ±10%, 3-level strap	0.58 × VDDIO		VDDIO	V
V <sub>MODE1</sub>	Mode 1 Strap Voltage Range	VDDIO = 1.8V ±10%, 3-level strap	0		0.35 × VDDIO	V
V <sub>MODE2</sub>	Mode 2 Strap Voltage Range	VDDIO = 1.8V ±10%, 3-level strap	0.40 × VDDIO		0.75 × VDDIO	V

## 6.5 Electrical Characteristics (continued)

over operating free-air temperature range (unless otherwise noted)

PARAMETER		TEST CONDITIONS	MIN	TYP	MAX	UNIT
V <sub>MODE3</sub>	Mode 3 Strap Voltage Range	VDDIO = 1.8V ±10%, 3-level strap	0.84 × VDDIO		VDDIO	V
<b>IO CHARACTERISTICS</b>						
V <sub>IH</sub>	High Level Input Voltage	VDDIO = 3.3V ±10%	2			V
V <sub>IL</sub>	Low Level Input Voltage	VDDIO = 3.3V ±10%			0.8	V
V <sub>OH</sub>	High Level Output Voltage	I <sub>OH</sub> = -2mA, VDDIO = 3.3V ±10%	2.4			V
V <sub>OL</sub>	Low Level Output Voltage	I <sub>OL</sub> = 2mA, VDDIO = 3.3V ±10%			0.4	V
V <sub>IH</sub>	High Level Input Voltage	VDDIO = 2.5V ±10%	1.7			V
V <sub>IL</sub>	Low Level Input Voltage	VDDIO = 2.5V ±10%			0.7	V
V <sub>OH</sub>	High Level Output Voltage	I <sub>OH</sub> = -2mA, VDDIO = 2.5V ±10%	2			V
V <sub>OL</sub>	Low Level Output Voltage	I <sub>OL</sub> = 2mA, VDDIO = 2.5V ±10%			0.4	V
V <sub>IH</sub>	High Level Input Voltage	VDDIO = 1.8V ±10%	0.65 × VDDIO			V
V <sub>IL</sub>	Low Level Input Voltage	VDDIO = 1.8V ±10%			0.35 × VDDIO	V
V <sub>OH</sub>	High Level Output Voltage	I <sub>OH</sub> = -2mA, VDDIO = 1.8V ±10%	VDDIO-0.45			V
V <sub>OL</sub>	Low Level Output Voltage	I <sub>OL</sub> = 2mA, VDDIO = 1.8V ±10%			0.45	V
I <sub>IH</sub>	Input High Current <sup>(1)</sup>	T <sub>A</sub> = -40°C to 125°C, V <sub>IN</sub> =VDDIO, All pins except XI and WAKE	-10		10	μA
I <sub>IH-XI</sub>	Input High Current <sup>(1)</sup>	T <sub>A</sub> = -40°C to 125°C, V <sub>IN</sub> =VDDIO, XI pin	-15		15	μA
I <sub>IL-XI</sub>	Input Low Current <sup>(1)</sup>	T <sub>A</sub> = -40°C to 125°C, V <sub>IN</sub> =GND, XI pin	-15		15	μA
I <sub>IL</sub>	Input Low Current <sup>(1)</sup>	T <sub>A</sub> = -40°C to 125°C, V <sub>IN</sub> =GND, All pins except XI pin	-10		10	μA
I <sub>ozh</sub>	Tri-state Output High Current	T <sub>A</sub> = -40°C to 125°C, V <sub>IN</sub> =VDDIO, All pins except RX_CTRL and RX_ER	-10		10	μA
I <sub>ozh</sub>	Tri-state Output High Current	T <sub>A</sub> = -40°C to 125°C, V <sub>IN</sub> =VDDIO, RX_CTRL and RX_ER	-52		52	μA
I <sub>ozl</sub>	Tri-state Output Low Current <sup>(2)</sup>	T <sub>A</sub> = -40°C to 125°C, V <sub>OUT</sub> =GND	-10		10	μA
R <sub>pulldn</sub>	Internal Pull Down Resistor	RX_D[3:0], RX_CLK, LED_1	6.2	8.4	10.7	kΩ
R <sub>pulldn</sub>	Internal Pull Down Resistor	RX_CTRL, RX_ER	4.725	5.8	7.2	kΩ
R <sub>pulldn</sub>	Internal Pull Down Resistor	WAKE		455		kΩ
R <sub>pullup</sub>	Internal Pull Up Resistor	INT, RESET	6.3	9	11.2	kΩ
XI V <sub>IH</sub>	High Level Input Voltage		1.3		VDDIO	V
XI V <sub>IL</sub>	Low Level Input Voltage				0.5	V

## 6.5 Electrical Characteristics (continued)

over operating free-air temperature range (unless otherwise noted)

PARAMETER		TEST CONDITIONS	MIN	TYP	MAX	UNIT
C <sub>IN</sub>	Input Capacitance XI			1		pF
C <sub>IN</sub>	Input Capacitance INPUT PINS			5		pF
C <sub>OUT</sub>	Output Capacitance XO			1		pF
C <sub>OUT</sub>	Output Capacitance OUTPUT PINS			5		pF
R <sub>series</sub>	Integrated MAC Series Termination Resistor	RX_D[3:0], RX_ER, RX_DV, RX_CLK	35	50	65	Ω
<b>POWER CONSUMPTION</b>						
I(3V3)	MII	-40°C to 125°C		57	63	mA
I(3V3)	RMII	-40°C to 125°C		57	63	mA
I(3V3)	RGMII	-40°C to 125°C		57	63	mA
I(3V3)	SGMII	-40°C to 125°C		81	95	mA
I(VDDIO=3.3V)	MII	-40°C to 125°C, VDDIO = VDDMAC		19	24	mA
I(VDDIO=3.3V)	RMII	-40°C to 125°C, VDDIO = VDDMAC		18	23	mA
I(VDDIO=3.3V)	RGMII	-40°C to 125°C, VDDIO = VDDMAC		13	21	mA
I(VDDIO=3.3V)	SGMII	-40°C to 125°C, VDDIO = VDDMAC		7	12	mA
I(VDDIO=2.5V)	MII	-40°C to 125°C, VDDIO = VDDMAC		12	18	mA
I(VDDIO=2.5V)	RMII	-40°C to 125°C, VDDIO = VDDMAC		12	17	mA
I(VDDIO=2.5V)	RGMII	-40°C to 125°C, VDDIO = VDDMAC		12	16	mA
I(VDDIO=2.5V)	SGMII	-40°C to 125°C, VDDIO = VDDMAC		6	9	mA
I(VDDIO=1.8V)	MII	-40°C to 125°C, VDDIO = VDDMAC		9	13	mA
I(VDDIO=1.8V)	RMII	-40°C to 125°C, VDDIO = VDDMAC		9	13	mA
I(VDDIO=1.8V)	RGMII	-40°C to 125°C, VDDIO = VDDMAC		9	12	mA
I(VDDIO=1.8V)	SGMII	-40°C to 125°C, VDDIO = VDDMAC		4	6	mA
<b>POWER CONSUMPTION (LOW POWER MODE)</b>						
I(VDDA3V3)	IEEE Power Down	-40°C to 125°C, All interfaces		8	22	mA
I(VDDA3V3)	TC-10 Sleep	-40°C to 125°C, All interfaces		30	50	mA
I(VDDA3V3)	RESET	-40°C to 125°C, All interfaces		9	23	mA
I(VDDA3V3)	Standby	-40°C to 125°C, MII		15	33	mA
I(VDDA3V3)	Standby	-40°C to 125°C, RMII		15	30	mA
I(VDDA3V3)	Standby	-40°C to 125°C, RGMII		15	30	mA
I(VDDA3V3)	Standby	-40°C to 125°C, SGMII		15	30	mA
I(VDDIO=3.3V)	IEEE Power Down	-40°C to 125°C, All interfaces, VDDIO=VDDMAC		15	23	mA
I(VDDIO=3.3V)	TC-10 Sleep	-40°C to 125°C, All interfaces, VDDIO=VDDMAC		15	23	mA
I(VDDIO=3.3V)	RESET	-40°C to 125°C, All interfaces, VDDIO=VDDMAC		15	23	mA
I(VDDIO=3.3V)	Standby	-40°C to 125°C, MII, VDDIO=VDDMAC		19	25	mA
I(VDDIO=3.3V)	Standby	-40°C to 125°C, RMII, VDDIO=VDDMAC		16	20	mA
I(VDDIO=3.3V)	Standby	-40°C to 125°C, RGMII, VDDIO=VDDMAC		14	20	mA
I(VDDIO=3.3V)	Standby	-40°C to 125°C, SGMII, VDDIO=VDDMAC		14	16	mA
I(VDDIO=2.5V)	IEEE Power Down	-40°C to 125°C, All interfaces, VDDIO=VDDMAC		10	16	mA

## 6.5 Electrical Characteristics (continued)

over operating free-air temperature range (unless otherwise noted)

PARAMETER		TEST CONDITIONS	MIN	TYP	MAX	UNIT
I(VDDIO=2.5V)	TC-10 Sleep	-40°C to 125°C, All interfaces, VDDIO=VDDMAC		10	16	mA
I(VDDIO=2.5V)	RESET	-40°C to 125°C, All interfaces, VDDIO=VDDMAC		10	16	mA
I(VDDIO=2.5V)	Standby	-40°C to 125°C, MII, VDDIO=VDDMAC		14	18	mA
I(VDDIO=2.5V)	Standby	-40°C to 125°C, RMII, VDDIO=VDDMAC		11	14	mA
I(VDDIO=2.5V)	Standby	-40°C to 125°C, RGMII, VDDIO=VDDMAC		9	14	mA
I(VDDIO=2.5V)	Standby	-40°C to 125°C, SGMII, VDDIO=VDDMAC		9	14	mA
I(VDDIO=1.8V)	IEEE Power Down	-40°C to 125°C, All interfaces, VDDIO=VDDMAC		7	11	mA
I(VDDIO=1.8V)	TC-10 Sleep	-40°C to 125°C, All interfaces, VDDIO=VDDMAC		7	11	mA
I(VDDIO=1.8V)	RESET	-40°C to 125°C, All interfaces, VDDIO=VDDMAC		7	11	mA
I(VDDIO=1.8V)	Standby	-40°C to 125°C, MII, VDDIO=VDDMAC		10	12	mA
I(VDDIO=1.8V)	Standby	-40°C to 125°C, RMII, VDDIO=VDDMAC		7	11	mA
I(VDDIO=1.8V)	Standby	-40°C to 125°C, RGMII, VDDIO=VDDMAC		6	11	mA
I(VDDIO=1.8V)	Standby	-40°C to 125°C, SGMII, VDDIO=VDDMAC		6	11	mA
I(VSLEEP)	TC-10 Sleep	-40°C to 125°C, All interfaces, All other supplies are off		7	18	µA
<b>SGMII Input</b>						
V <sub>IDTH</sub>	Input differential voltage threshold	SI_P and SI_N, AC coupled	0.1			V
R <sub>IN-DIFF</sub>	Receiver differential input impedance (DC)		80		120	Ω
<b>SGMII Output</b>						
	Clock signal duty cycle	SO_P and SO_N, AC coupled, 0101010101 pattern	48		52	%
	Output Differential Voltage	SO_P and SO_N, AC coupled	150		400	mV
<b>Voltage Sensor</b>						
VDDA	VDDA Sensor Range	-40°C to +125°C	2.7	3.3	4	V
	VDDA Sensor Resolution (LSB)	-40°C to +125°C		8.8		mV
	VDDA Sensor Accuracy (voltage and temperature variation on single part)	-40°C to +125°C	-120		120	mV
	VDDA Sensor Accuracy (part-part variation)	-40°C to +125°C	-50		50	mV

## 6.5 Electrical Characteristics (continued)

over operating free-air temperature range (unless otherwise noted)

PARAMETER		TEST CONDITIONS	MIN	TYP	MAX	UNIT
VDDIO / VDDMAC	VDDIO / VDDMAC Sensor Range	-40°C to +125°C	1.44		3.9	V
	VDDIO / VDDMAC Sensor Resolution (LSB)	-40°C to +125°C		16		mV
	VDDIO / VDDMAC Sensor Accuracy (voltage and temperature variation on single part)	-40°C to +125°C	-144		144	mV
	VDDIO / VDDMAC Sensor Accuracy (part-part variation)	-40°C to +125°C	-85		85	mV
VSLEEP	VSLEEP Sensor Range	-40°C to +125°C	2.7	3.3	4	V
	VSLEEP Sensor Resolution (LSB)	-40°C to +125°C		8.8		mV
	VSLEEP Sensor Accuracy (voltage and temperature variation on single part)	-40°C to +125°C	-120		120	mV
	VSLEEP Sensor Accuracy (part-part variation)	-40°C to +125°C	-50		50	mV

- (1) For pins: MDC, TX\_CLK, TX\_CTRL, TX\_D[3:0], and RESET\_N  
 (2) For pins: RX\_D[3:0], RX\_CLK, RX\_CTRL, MDIO, INT\_N, and XO.

## 6.6 Timing Requirements

PARAMETER		TEST CONDITIONS	MIN	NOM	MAX	UNIT
<b>MII TIMING</b>						
T1.1	TX_CLK High / Low Time		16	20	24	ns
T1.2	TX_D[3:0], TX_ER, TX_EN Setup to TX_CLK		10			ns
T1.3	TX_D[3:0], TX_ER, TX_EN Hold from TX_CLK		0			ns
T2.1	RX_CLK High / Low Time		16	20	24	ns
T2.2	RX_D[3:0], RX_ER, RX_DV Delay from RX_CLK rising		10		30	ns
<b>RMII LEADER TIMING</b>						
T3.1	RMII Leader Clock Period			20		ns
	RMII Leader Clock Duty Cycle		35		65	%
T3.2	TX_D[1:0], TX_ER, TX_EN Setup to RMII Leader Clock		4			ns
T3.3	TX_D[1:0], TX_ER, TX_EN Hold from RMII Leader Clock		2			ns
T3.4	RX_D[1:0], RX_ER, CRS_DV Delay from RMII Leader Clock rising edge		4	10	14	ns
<b>RMII FOLLOWER TIMING</b>						
T3.1	Input Reference Clock Period			20		ns
	Reference Clock Duty Cycle		35		65	%
T3.2	TX_D[1:0], TX_ER, TX_EN Setup to XI Clock rising		4			ns
T3.3	TX_D[1:0], TX_ER, TX_EN Hold from XI Clock rising		2			ns
T3.4	RX_D[1:0], RX_ER, CRS_DV Delay from XI Clock rising		4		14	ns
<b>RGMII INPUT TIMING</b>						
T <sub>cyc</sub>	Clock Cycle Duration	TX_CLK	36	40	44	ns
T <sub>setup(align)</sub>	TX_D[3:0], TX_CTRL Setup to TX_CLK (Align Mode)		1	2		ns
T <sub>hold(align)</sub>	TX_D[3:0], TX_CTRL Hold from TX_CLK (Align Mode)		1	2		ns
<b>RGMII OUTPUT TIMING</b>						
T <sub>skew(align)</sub>	RX_D[3:0], RX_CTRL Delay from RX_CLK (Align Mode Enabled)	On PHY Pins	-750		750	ps
T <sub>setup(shift)</sub>	RX_D[3:0], RX_CTRL Delay from RX_CLK (Shift Mode Enabled, default)	On PHY Pins	2			ns
T <sub>cyc</sub>	Clock Cycle Duration	RX_CLK	36	40	44	ns
Duty_G	Duty Cycle	RX_CLK	45	50	55	%
Tr/Tf	Rise / Fall Time ( 20% to 80%)	C <sub>LOAD</sub> = 5pF			1.2	ns
<b>SMI TIMING</b>						
T4.1	MDC to MDIO (Output) Delay Time	25pF load capacitance	0		40	ns
T4.2	MDIO (Input) to MDC Setup Time		10			ns
T4.3	MDIO (Input) to MDC Hold Time		10			ns
	MDC Frequency			2.5	20	MHz
<b>POWER-UP TIMING</b>						
T5.1	Supply ramp time: For all supplies except VSLEEP <sup>(1)</sup>		0.2		8	ms
T5.1	Supply ramp time: For VSLEEP <sup>(1)</sup>		0.4		8	ms
T5.3	XTAL Startup / Settling: Powerup to XI good/stabilized			0.35		ms
T5.4	Oscillator stabilization time from power up				10	ms
T5.5	Post power-up to SMI ready: Post Power-up wait time required before MDC preamble can be sent for register access		10			ms

## 6.6 Timing Requirements (continued)

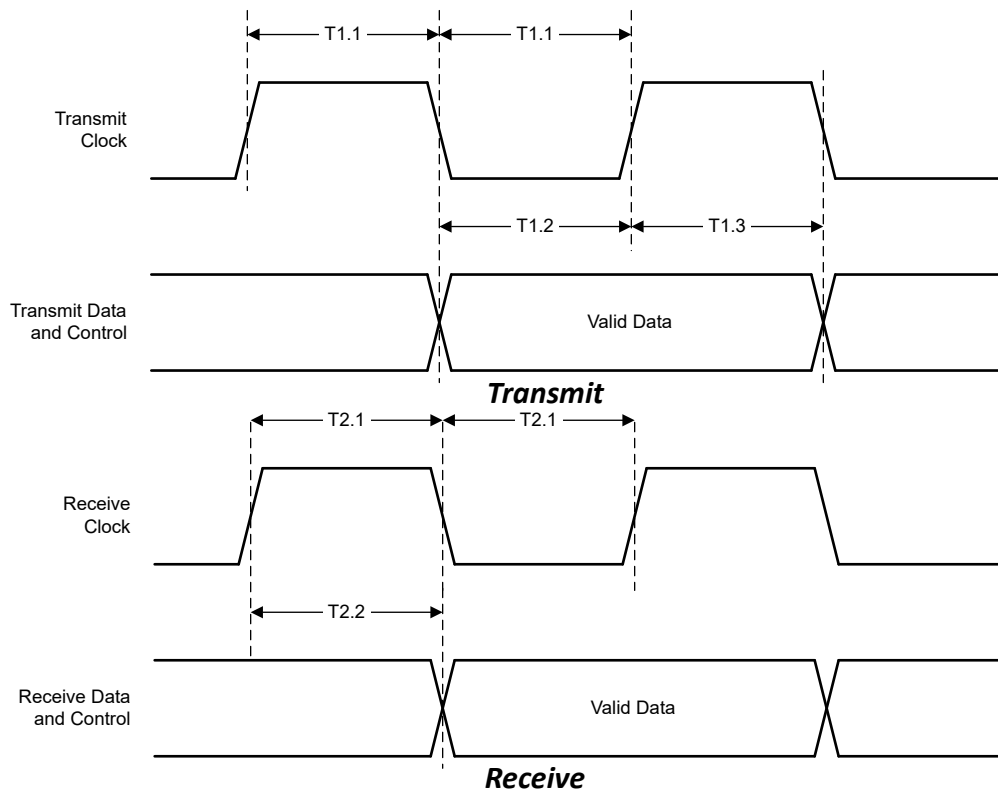
PARAMETER		TEST CONDITIONS	MIN	NOM	MAX	UNIT
T5.6	Power-up to Strap latch-in				10	ms
T5.7	CLKOUT Startup/Settling: Powerup to CLKOUT good/stabilized				10	ms
T5.8	Power-up to idle stream				10	ms
<b>RESET TIMING (RESET_N)</b>						
T6.1	Reset Pulse Width: Minimum Reset pulse width to be able to reset		720			ns
T6.2	Reset to SMI ready: Post reset wait time required before MDC preamble can be sent for register access		1			ms
T6.3	Reset to Strap latch-in: Hardware configuration pins transition to output drivers			40		µs
T6.4	Reset to idle stream				1800	µs
<b>WAKE REQUEST AND WAKE PULSE TIMING</b>						
T7.1	Local Wake-Up Pulse Duration		40			µs
T7.2	Local Wake-Up to INH Transition				40	µs
T7.3	Energy-detect-based Wake-Up Pulse Duration				0.7	ms
T7.4	Energy-detect-based Wake-Up to INH Transition				0.7	ms
T7.5	Energy-detect-based Wake-Up to WAKE forwarding pulse				1.4	ms
<b>TRANSMIT LATENCY TIMING</b>						
	MII Rising edge TX_CLK with assertion TX_EN to SSD symbol on MD		205		233	ns
	Follower RMII Rising edge XI clock with assertion TX_EN to SSD symbol on MDI		374		409	ns
	Leader RMII Rising edge clock with assertion TX_EN to SSD symbol on MDI		382		408	ns
	RGMII Rising edge TX_CLK with assertion TX_CTRL to SSD symbol on MDI		370		390	ns
	First symbol of SGMII to SSD symbol on MDI		420		456	ns
<b>RECEIVE LATENCY TIMING</b>						
	SSD symbol on MDI to MII Rising edge of RX_CLK with assertion of RX_DV		467		491	ns
	SSD symbol on MDI to Follower RMII Rising edge of XI clock with assertion of CRS_DV		527		574	ns
	SSD symbol on MDI to Leader RMII Rising edge of Leader clock with assertion of CRS_DV		521		557	ns
	SSD symbol on MDI to Rising edge of RGMII RX_CLK with assertion of RX_CTRL		484		511	ns
	SSD symbol on MDI to first symbol of SGMII		708		788	ns
<b>25MHz OSCILLATOR REQUIREMENTS</b>						
	Frequency Tolerance		-100		+100	ppm
	Rise / Fall Time (10%-90%)				8	ns
	Jitter Tolerance (RMS)				25	ps
	XI Duty Cycle in external clock mode		40		60	%
<b>50MHz OSCILLATOR REQUIREMENTS</b>						
	Frequency			50		MHz
	Frequency Tolerance and Stability Over temperature and aging		-100		100	ppm
	Rise / Fall Time (10% - 90%)				4	ns
	Duty Cycle		35		65	%

## 6.6 Timing Requirements (continued)

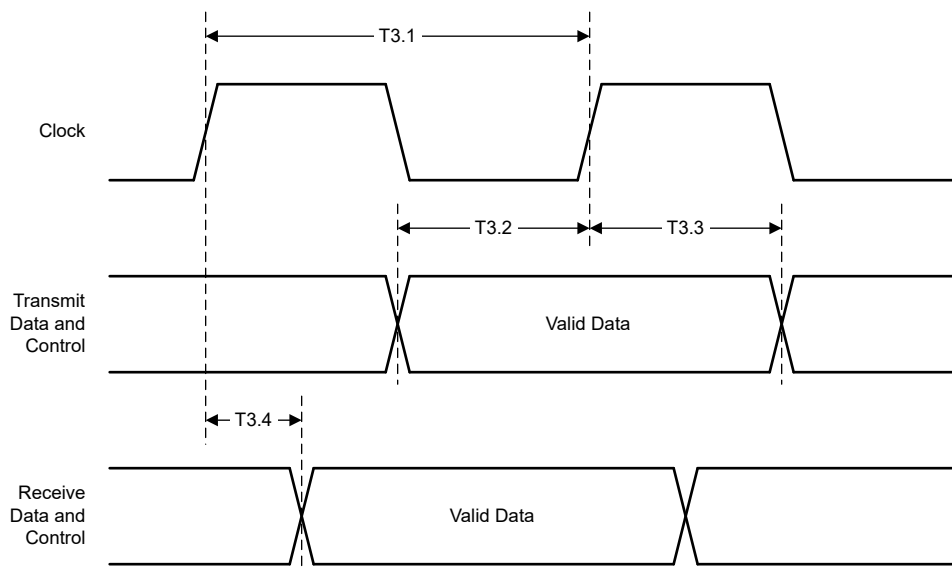
PARAMETER		TEST CONDITIONS	MIN	NOM	MAX	UNIT
<b>25MHz CRYSTAL REQUIREMENTS</b>						
	Frequency			25		MHz
	Frequency Tolerance and Stability Over temperature and aging		-100		100	ppm
	Equivalent Series Resistance				100	Ω
<b>OUTPUT CLOCK TIMING (25 MHz)</b>						
	Frequency (PPM)		-100		100	-
	Duty Cycle		40		60	%
	Rise Time				5000	ps
	Fall Time				5000	ps
	Jitter (Short Term)				1000	ps
	Frequency			25		MHz

(1) For supplies with ramp rate longer than 8ms, a RESET pulse is required after the last supply becomes stable.

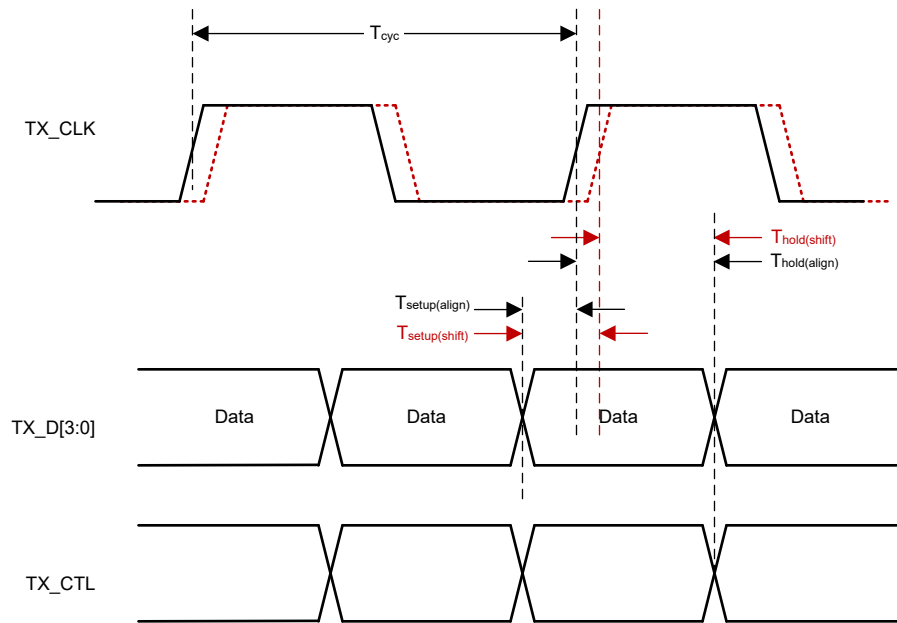
## 6.7 Timing Diagrams



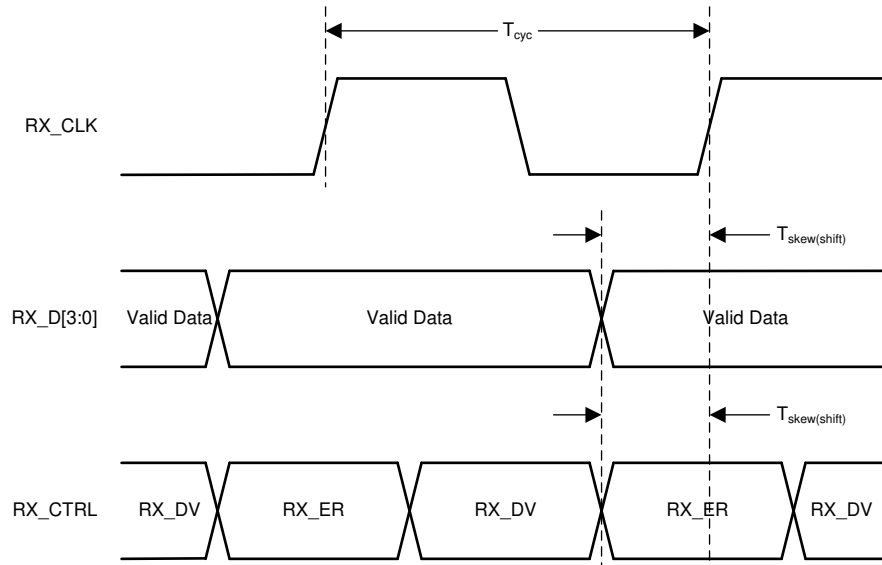
**Figure 6-1. MII Timing**



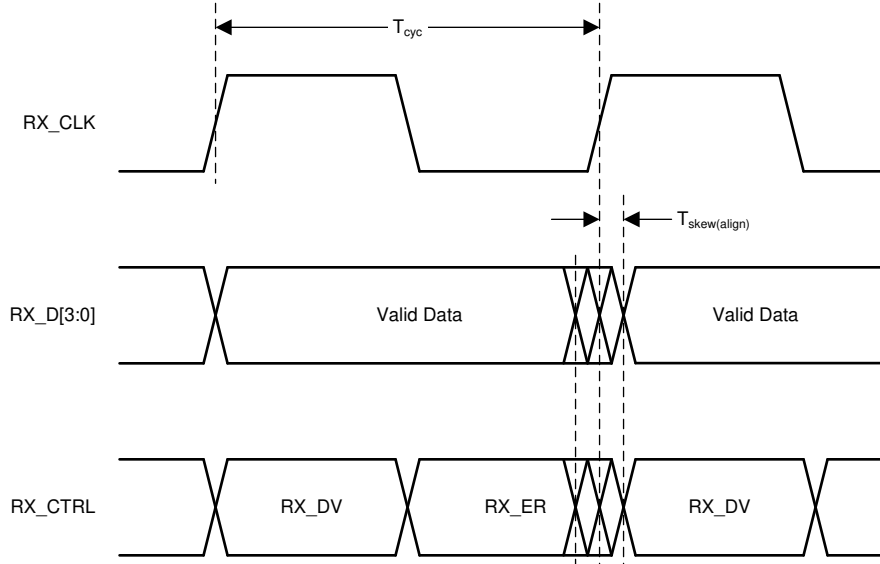
**Figure 6-2. RMII Transmit and Receive Timing**



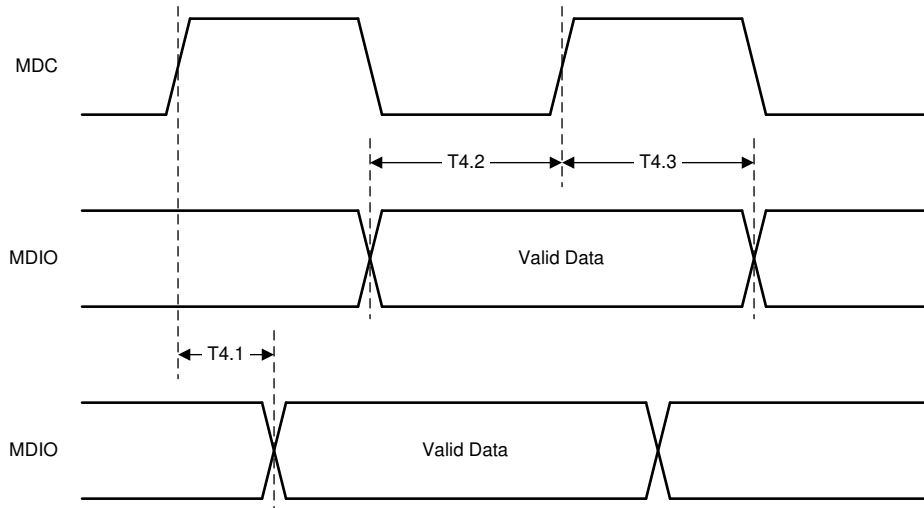
**Figure 6-3. RGMII Transmit Timing**



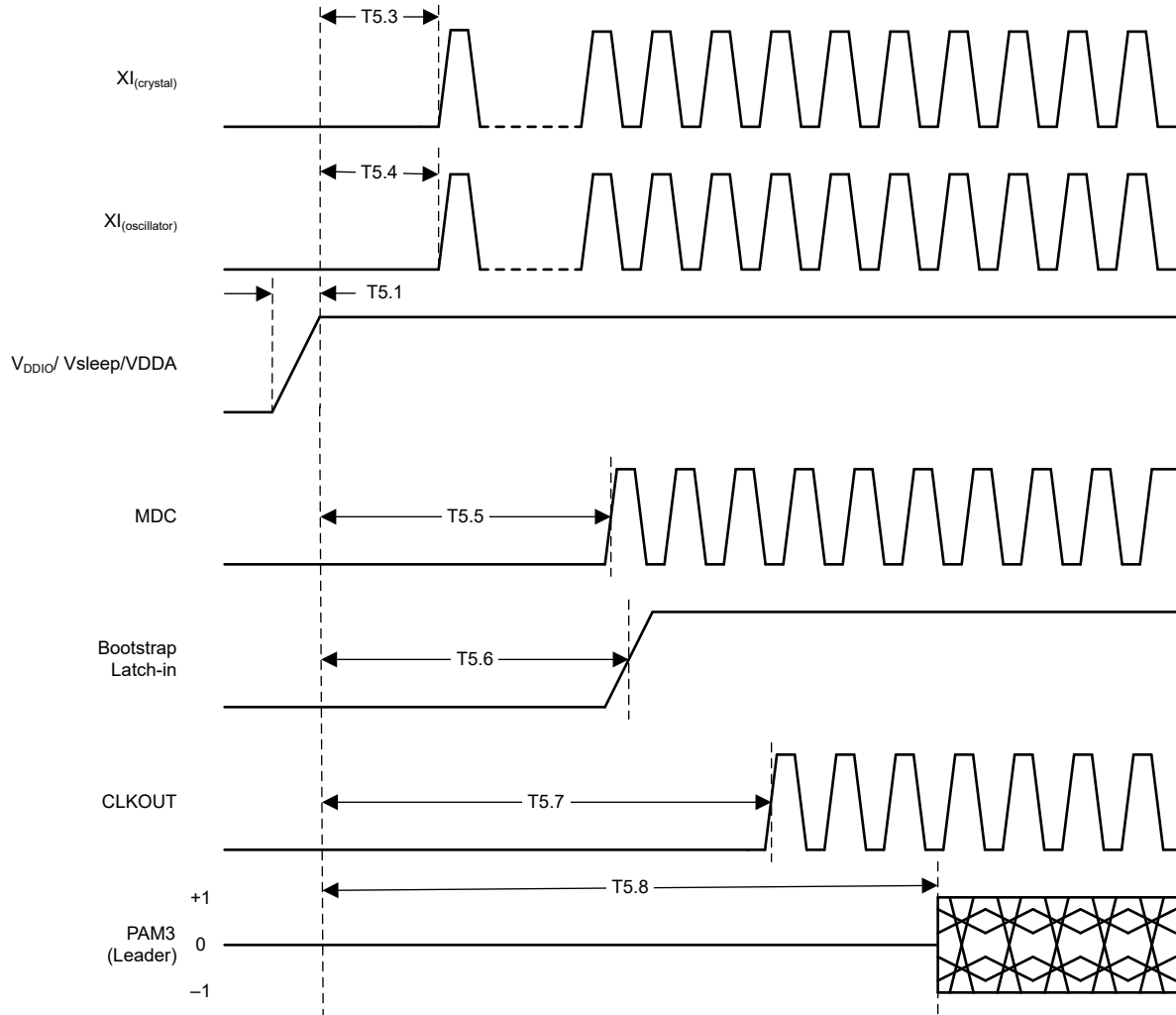
**Figure 6-4. RGMII Receive Timing (Internal Delay Enabled)**



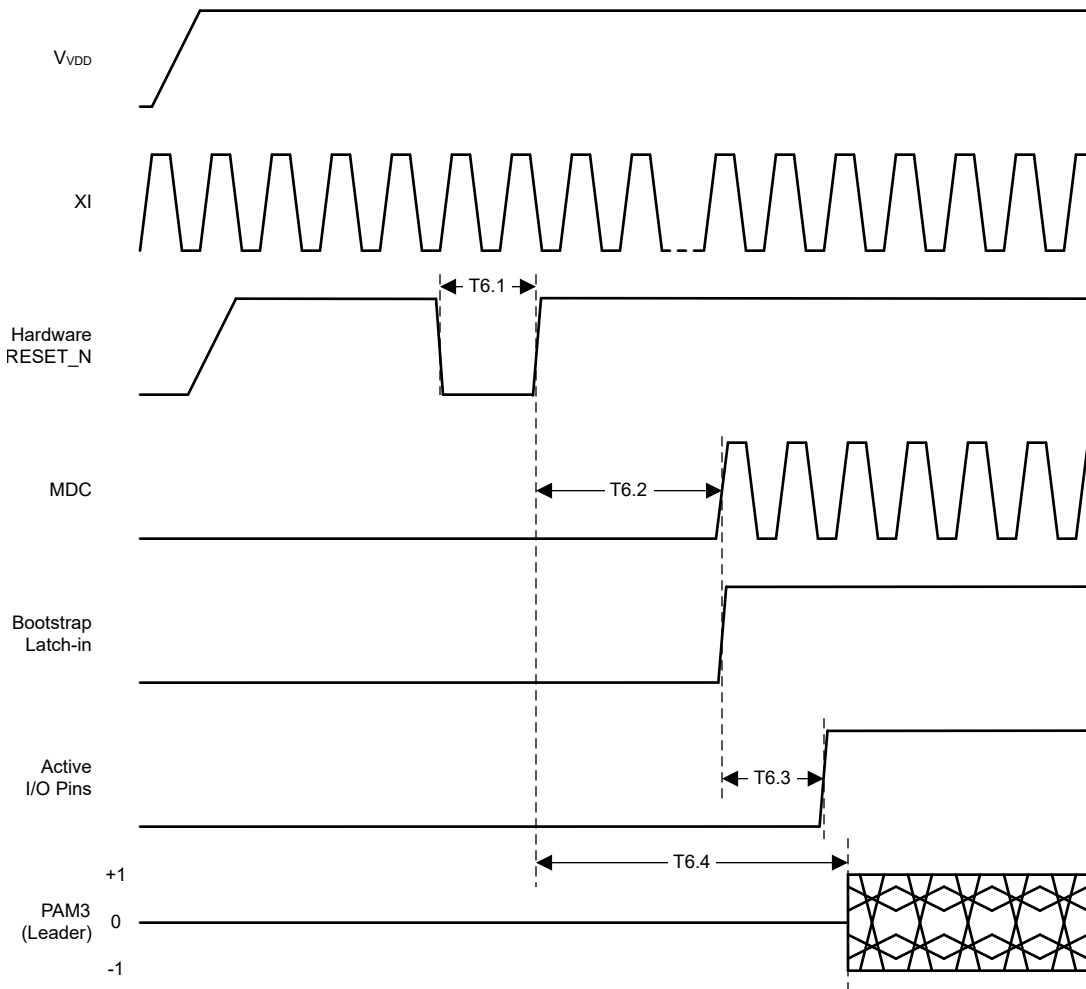
**Figure 6-5. RGMII Receive Timing (Internal Delay Disabled)**



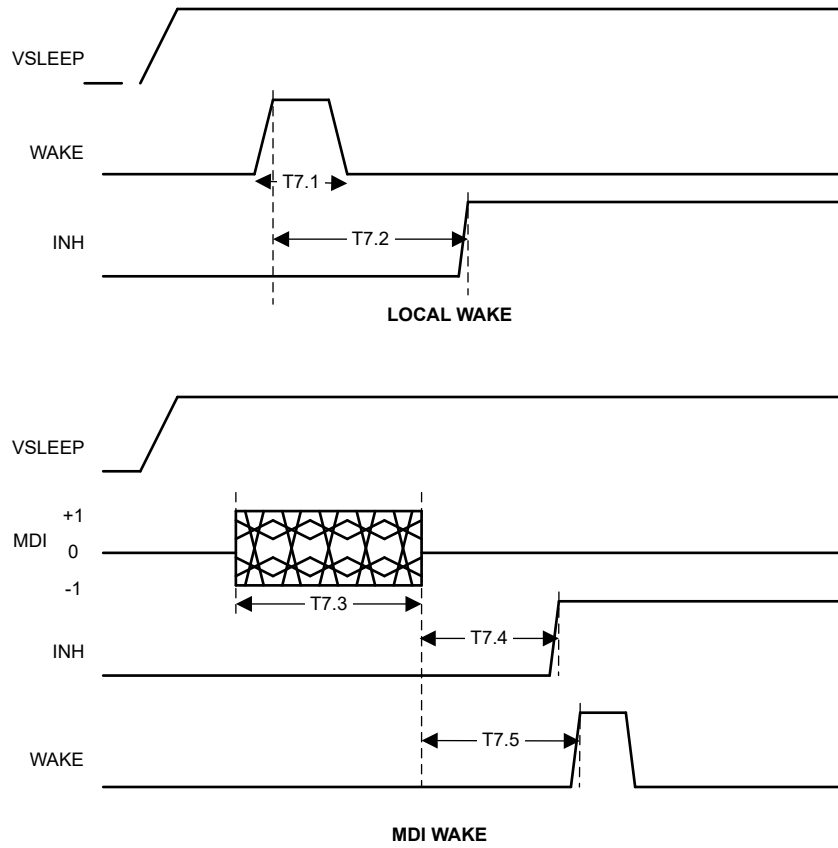
**Figure 6-6. Serial Management Timing**



**Figure 6-7. Power-Up Timing**

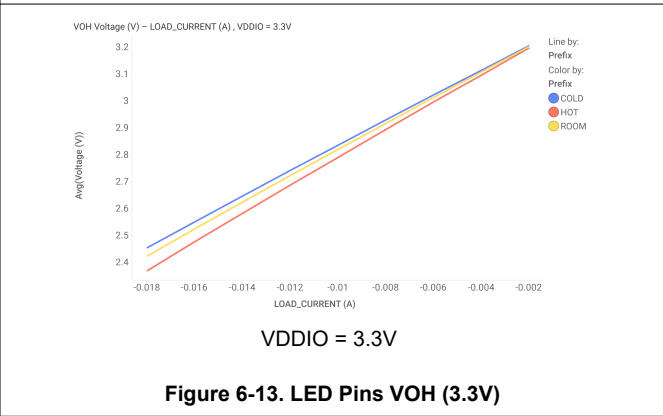
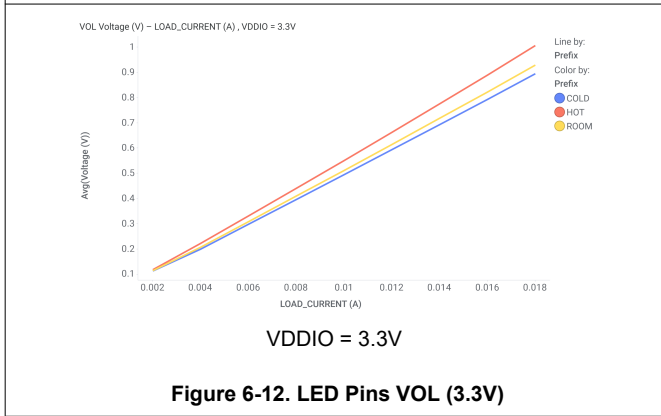
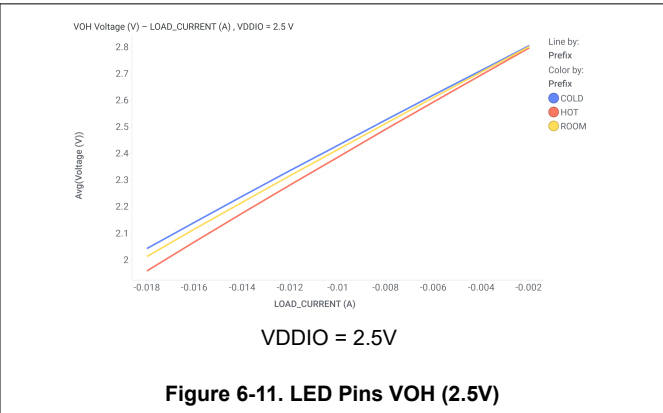
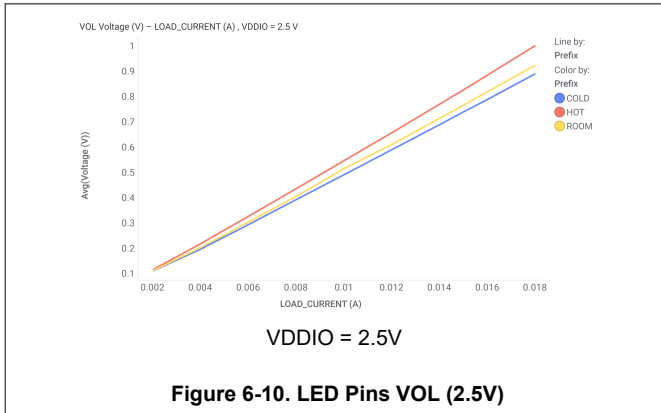


**Figure 6-8. Reset Timing**



**Figure 6-9. WAKE Timing**

## 6.8 Typical Characteristics



## 7 Detailed Description

### 7.1 Overview

The DP83TC813S-Q1 is a 100BASE-T1 automotive Ethernet Physical Layer transceiver. The device is IEEE 802.3bw compliant and AEC-Q100 qualified for automotive applications. The DP83TC813S-Q1 is interoperable with both BroadR-Reach PHYs and 100BASE-T1 PHYs.

The DP83TC813S-Q1 also supports Open Alliance TC-10 low-power mode for additional power savings. The PHY supports WAKE and INH pins for implementing TC-10 functionality in the system.

This device is specifically designed to operate at 100Mbps speed while meeting stringent automotive EMC limits. The DP83TC813S-Q1 transmits PAM3 ternary symbols at 66.667MHz over unshielded single twisted-pair cable. The device is application flexible; supporting MII, RMII, RGMII, and SGMII in a 28-pin VQFN wettable flank package.

There is an extensive Diagnostic Tool Kit within the DP83TC813S-Q1 for both in-system use as well as debug, compliance and system prototyping for bring-up. The DP83TC813S-Q1 can meet IEC61000-4-2 Level 4 electrostatic discharge limits and the device also includes an on-chip ESD sensor for detecting ESD events in real time.

## 7.2 Functional Block Diagram

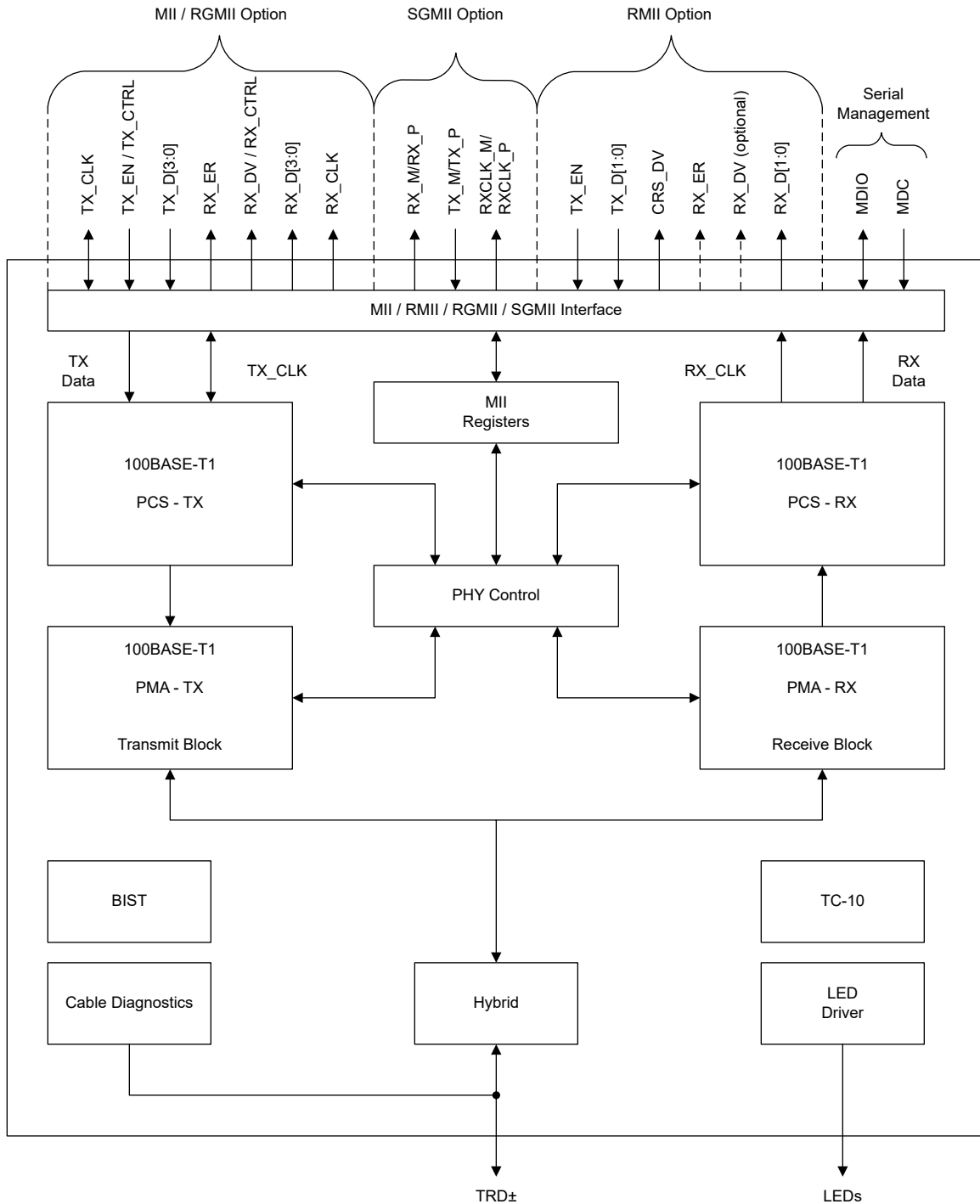


Figure 7-1. DP83TC813S-Q1

## 7.3 Feature Description

### Note

See also the [DP83TC812, DP83TC813, and DP83TC814: Configuring for Open Alliance Specification Compliance](#) application note for more information about the register settings used for compliance testing. Use these register settings to achieve the same performance as observed during compliance testing.

### 7.3.1 Diagnostic Tool Kit

The DP83TC813 diagnostic tool kit provides mechanisms for monitoring normal operation, device-level debugging, system-level debugging, fault detection, and compliance testing. This tool kit includes a built-in self-test with PRBS data, various loopback modes, Signal Quality Indicator (SQI), Time Domain Reflectometry (TDR), undervoltage monitor, electrostatic discharge monitor, and IEEE 802.3bw test modes.

#### 7.3.1.1 Signal Quality Indicator

When the DP83TC813S-Q1 is active, use the Signal Quality Indicator to determine the quality of link based on the devices SNR readings. SQI is presented as a 8-level indication. Signal quality indication is accessible through register 0x871. The PHY continuously monitors the SQI PHY to allow for real-time link signal quality status.

Bits[3:1] in register 0x871 provide SQI value while bits [7:5] provide the worst SQI value since the last read. The SQI value reported in register 0x871[3:1] map directly to the SQI levels required by Open Alliance.

To get the most accurate SQI reporting, use the initialization routine explained in the TI [DP83TC812, DP83TC813, and DP83TC814: Configuring for Open Alliance Specification Compliance](#) application note.

**Table 7-1. Signal Quality Indicator**

REG 0x871[3:1]	OPEN ALLIANCE SQI LEVEL	LINK QUALITY
0x0	0 (Worst)	Poor/ No Link
0x1	1	
0x2	2	
0x3	3	
0x4	4	Good / Excellent Link
0x5	5	
0x6	6	
0x7	7 (Best)	

#### 7.3.1.2 Electrostatic Discharge Sensing

Electrostatic discharge is a serious issue for electronic circuits and if not properly mitigated can create short-term issues (signal integrity, link drops, packet loss) as well as long-term reliability faults. The DP83TC813 has robust integrated ESD circuitry and offers an ESD sensing architecture. Independently detect ESD events on MDI pins for further analysis and debug.

Additionally, the DP83TC813 provides an interrupt status flag; *Register 0x12[11]* is set when an ESD event is logged. Route this interrupt to the INT\_N pin using bit[3] of the same register. *Register 0x442[14:9]* store the number of ESD events that have occurred since power-up. The ESDS register ignores hardware and software resets to prevent unwarranted clearing.

#### 7.3.1.3 Time Domain Reflectometry

Time domain reflectometry helps determine the quality of the cable, connectors and terminations in addition to estimating OPEN and SHORT faults along a cable. The DP83TC813-Q1 transmits a test pulse down the attached twisted-pair cable. Transmitted pulses continue down the cable and reflect from each imperfection and fault, allowing the device to measure the time to return and strength (amplitude) of all reflections. This technique enables the DP83TC813-Q1 to identify cable OPENs and SHORTs.

Setting bit[15] in register 0x1E activates TDR. The procedure is as follows.

- Configure the DP83TC813-Q1 as per the initialization settings from the TI [DP83TC812, DP83TC813, and DP83TC814: Configuring for Open Alliance Specification Compliance](#) application note
- Verify that the Link Partner connected to the PHY is silent. Link is down during TDR execution.
- Run the Pre-TDR configuration settings as listed in the TI [DP83TC812, DP83TC813, and DP83TC814: Configuring for Open Alliance Specification Compliance](#) application note.
- Start TDR by setting register 0x1E[15] to '1'.
- Wait 100ms, read register 0x1E[1:0]
  - If the register reads 0b10 then TDR has executed successfully.
- If TDR executed successfully then read register 0x310 to get TDR results.
  - 0x310[7]: 0 = Cable fault not detected or 1 = Cable fault detected
  - 0x310[6]: 0 = Cable fault is SHORT or 1 = Cable fault is OPEN
  - If valid cable fault is detected then 0x310[5:0] stores the location value in meters.

### 7.3.1.4 Voltage Sensing

The DP83TC813 offers sensors for monitoring voltage at the supply pins. Undervoltage monitoring are always active in the DP83TC813 by default. If an undervoltage condition is detected, interrupt status flag is set in register 0x0013. These interrupts can also be optionally routed to the INT pin using the same register.

Use the following steps to read each sensor.

1. Program register 0x0467 = 0x6004; Initial configuration of monitors
2. Program register 0x046A = 0x00A3; Enable Monitors
3. Configure register 0x0468 with the corresponding setting to select the required sensor.
  - VDDA Sensor: Use 0x0468 = 0x0920
  - VSLEEP Sensor: Use 0x0468 = 0x1920
  - VDDMAC Sensor: Use 0x0468 = 0x2920
  - VDDIO Sensor: Use 0x0468 = 0x3920
4. Read register 0x047B[14:7] and convert this output code to decimal.
5. Use the output code in the following equations to get the absolute value of the sensor. See the [Table 7-2](#) table for constant values for corresponding sensors.
  - $vdda\_value = 3.3 + (vdda\_output\_code - vdda\_output\_mean\_code) \times slope\_vdda\_sensor$
  - $vsleep\_value = 3.3 + (vsleep\_output\_code - vsleep\_output\_mean\_code) \times slope\_vsleep\_sensor$
  - $vddmac\_value = 3.3 + (vddmac\_output\_code - vddmac\_output\_mean\_code) \times slope\_vddmac\_sensor$
  - $vddio\_value = 3.3 + (vddio\_output\_code - vddio\_output\_mean\_code) \times slope\_vddio\_sensor$

**Table 7-2. Sensors Constant Values**

SENSOR	CONSTANT	VALUE
VDDA	vdda_output_mean_code	126
	slope_vdda_sensor	0.0088
VSLEEP	vsleep_output_mean_code	134
	slope_vsleep_sensor	0.0088
VDDMAC	vddmac_output_mean_code	205
	slope_vddmac_sensor	0.016
VDDIO	vddio_output_mean_code	205
	slope_vddio_sensor	0.016

### 7.3.1.5 BIST and Loopback Modes

DP83TC813 incorporates a data path Built-In-Self-Test (BIST) to check the PHY level and system-level data-paths. BIST has following integrated features which make the system-level data transfer tests (throughput, and so forth) and diagnostics possible without relying on MAC or external data generator hardware/software.

For easy evaluation, use the following features are available in the DP83TC813:

1. Loopback modes
2. Data generator
  - a. Customizable MAC packets generator
  - b. Transmitted packet counter
  - c. PRBS stream generator
3. Data checker
  - a. Received MAC packets error checker
  - b. Received packet counter: counts total packets received and packets received with errors
  - c. PRBS lock and PRBS error checker

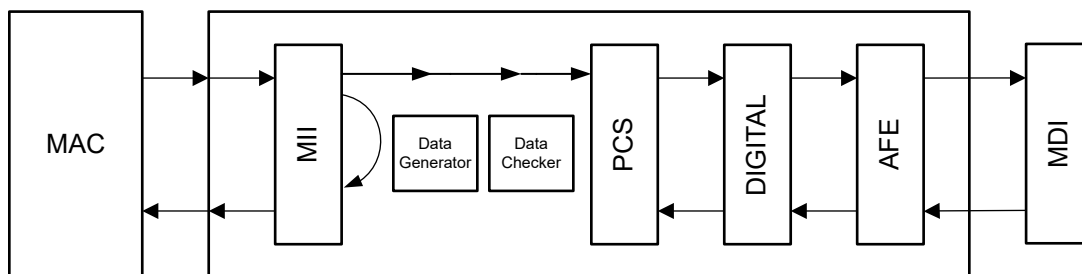
### 7.3.1.5.1 Data Generator and Checker

DP83TC813 supports inbuilt pseudo-random data generator and checker which are useable in conjunction with Loopback modes to check the data path. Program the data generator to generate either user defined MAC packets or PRBS stream.

Following parameters of generated MAC packets are configurable (see the registers<0x061B>,register<0x061A> and register<0x0624> for required configuration):

- Packet length
- Inter-packet gap
- Defined number of packets to be sent or continuous transmission
- Packet data-type: incremental/fixed/PRBS
- Number of valid bytes per packet

### 7.3.1.5.2 xMII Loopback



**Figure 7-2. xMII Loopback Without Data Generator**

xMII Loopback is the shallowest loop through the PHY. xMII Loopback is a useful test mode to validate communications between the MAC and the PHY. When in xMII Loopback, data transmitted from a connected MAC on the TX path is internally looped back in the DP83TC813 to the RX pins where the device can be checked by the MAC. There is no link indication when in xMII loopback.

### Enable Loopback

Write register 0x0000 = 0x6100

### Enable Data Generator/checker for MAC Side

Data is generated externally on the MAC TX pins.

Use the following register settings to enable checker depending on the MAC interface mode.

- For RGMII, write register 0x0619 = 0x1004
- For SGMII, write register 0x0619 = 0x1114
- For RMII, write register 0x0619 = 0x1224
- For MII, write register 0x0619 = 0x1334

### Check Incoming Data From MAC Side

Data can be verified at MAC interface RX pins.

Data can also be checked internally by reading registers 0x063C, 0x063D, 0x063E. The registers must be read together and in this order.

### Enable Data Generator/checker for Cable Side

Not applicable as data is generated externally on the MAC interface TX pins.

### Check Data for Cable Side

Not applicable as PRBS stream checker works with only internal PRBS generator.

### Other System Requirements

Generated data is going to cable side.

#### 7.3.1.5.3 PCS Loopback

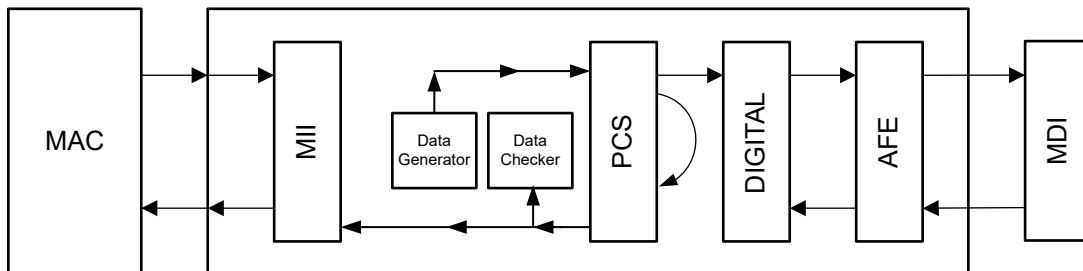


Figure 7-3. PCS Loopback With Data Generator

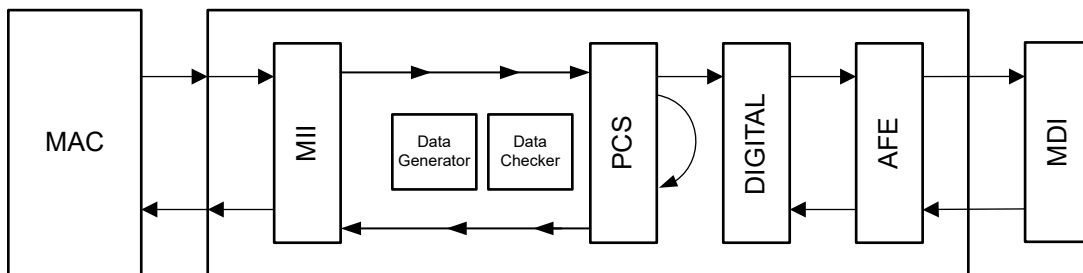


Figure 7-4. PCS Loopback Without Data Generator

PCS Loopback loops back data before exiting the PCS and entering the PMA. Data received from the MAC on the transmit path is brought through the digital block within the PHY where the data is then routed back to the MAC through the receive path. The DP83TC813 receive PMA circuitry is configured for isolation to prevent contention.

### Enable Loopback

Write register 0x0016 = 0x0102

### Enable Data Generator/Checker For MAC Side

Write register 0x0624 = 0x55BF

Write register 0x0619 = 0x1555

### Check Incoming Data From MAC Side

Internally check the data by reading registers 0x063C, 0x063D, 0x063E. The registers must be read together and in this order.

### Enable Data Generator/Checker For Cable Side

Write register 0x0624 = 0x55BF

Write register 0x0619 = 0x0557

### Check Data For Cable Side

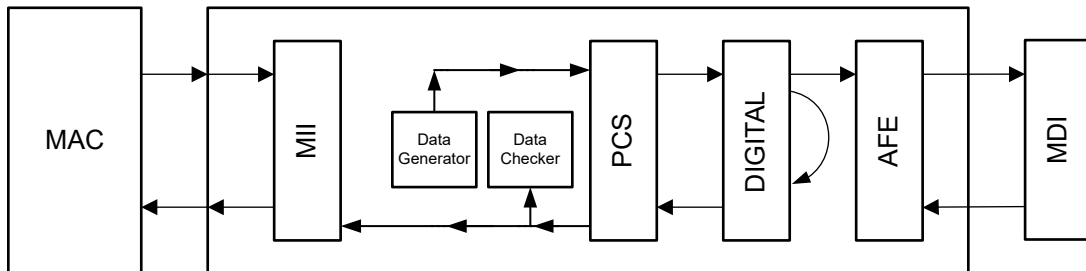
1. Write register 0x0620[1] = 1'b1
2. Read register 0x620
  - a. Bit [7:0] = Number of errors bytes received
  - b. Bit [8] = PRBS checker lock status on incoming data (1'b1 indicates lock)

Repeat steps 1 and 2 to continuously check error status of incoming data stream.

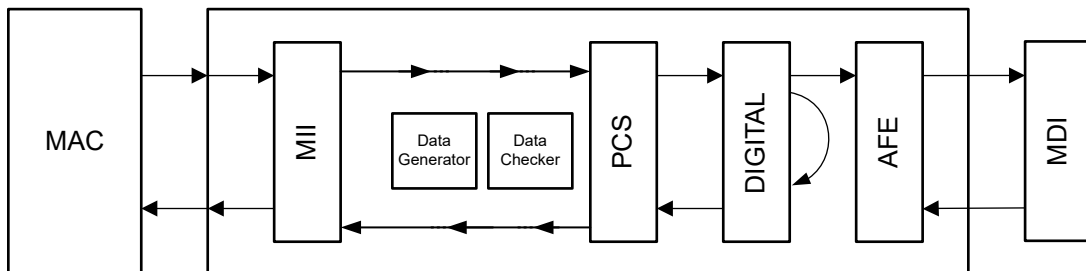
### Other System Requirements

Data generate by the internal PRBS is transmitted over the MDI and the MAC interface.

#### 7.3.1.5.4 Digital Loopback



**Figure 7-5. Digital Loopback With Data Generator**



**Figure 7-6. Digital Loopback Without Data Generator**

Digital Loopback loops back data before exiting the Digital and entering the AFE. Data received from the MAC on the transmit path is brought through the digital block within the PHY where data is then routed back to the MAC through the receive path. The DP83TC813 receive Analog circuitry is configured for isolation to prevent contention.

### Enable Loopback

Write register 0x0016 = 0x0104

### Enable Data Generator/Checker for MAC Side

Write register 0x0624 = 0x55BF

Write register 0x0619 = 0x1555

### Check Incoming Data From MAC Side

Data can also be checked internally by reading registers 0x063C, 0x063D, 0x063E. The registers must be read together and in this order.

### Enable Data Generator/Checker for Cable Side

Write register 0x0624 = 0x55BF

Write register 0x0619 = 0x0557

### Check Data for Cable Side

1. Write register 0x0620[1] = 1'b1
2. Read register 0x620
  - a. Bit [7:0] = Number of errors bytes received
  - b. Bit [8] = PRBS checker lock status on incoming data (1'b1 indicates lock)

Repeat steps 1 and 2 to continuously check error status of incoming data stream.

### Other System Requirements

Data generated by the internal PRBS is transmitted over the MDI and the MAC interface.

#### 7.3.1.5.5 Analog Loopback

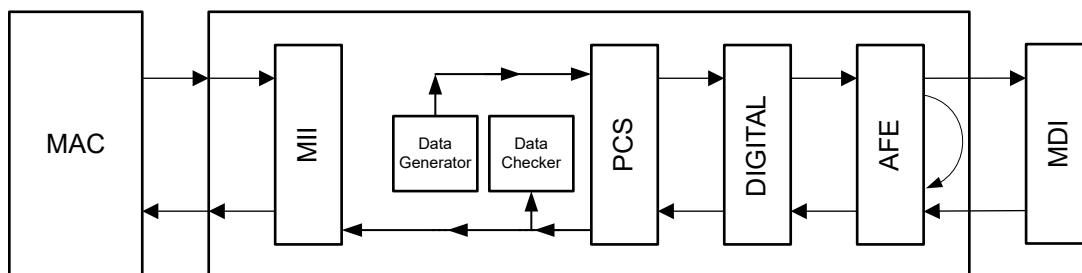
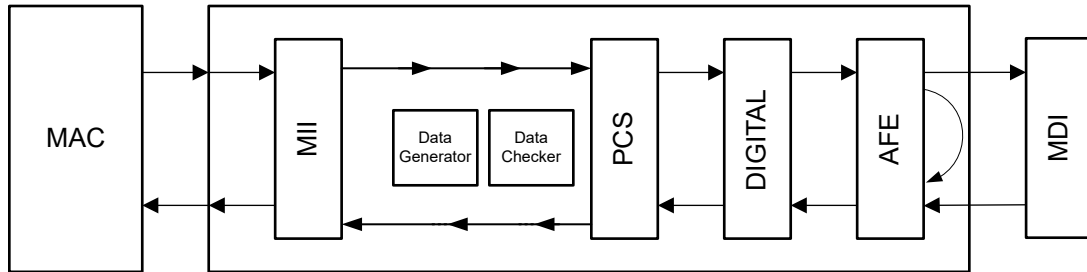


Figure 7-7. Analog Loopback With Data Generator



**Figure 7-8. Analog Loopback Without Data Generator**

Analog Loopback uses the echoed signals from the unterminated MDI and decodes these signals in the Hybrid to return the data to the MAC.

### Enable Loopback

Write register 0x0016 = 0x0108

### Enable Data Generator/checker For MAC Side

Write register 0x0624 = 0x55BF

Write register 0x0619 = 0x1555

### Check Incoming Data From MAC Side

Data can also be checked internally by reading registers 0x063C, 0x063D, 0x063E. The registers must be read together and in this order.

### Enable Data Generator/checker For Cable Side

Write register 0x0624 = 0x55BF

Write register 0x0619 = 0x0557

### Check Data For Cable Side

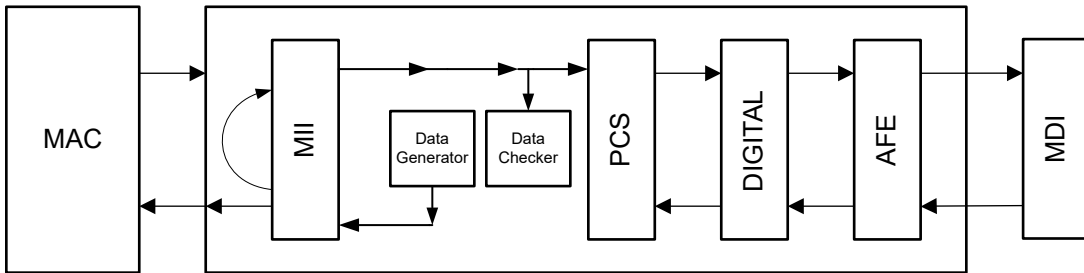
1. Write register 0x0620[1] = 1'b1
2. Read register 0x620
  - a. Bit [7:0] = Number of errors bytes received
  - b. Bit [8] = PRBS checker lock status on incoming data (1'b1 indicates lock)

Repeat steps 1 and 2 to continuously check error status of incoming data stream.

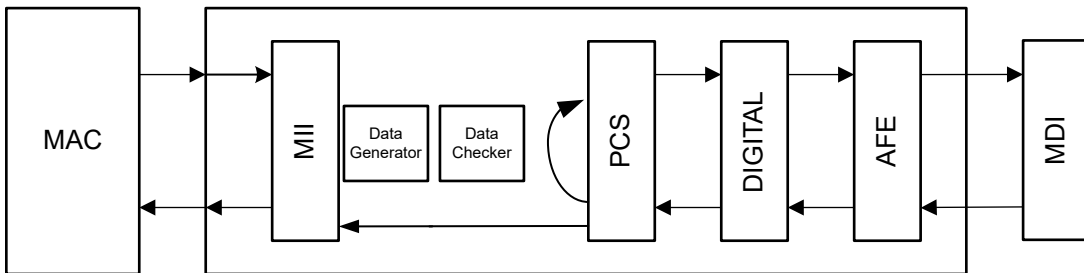
### Other System Requirements

Data generate by the internal PRBS is transmitted over the MDI and the MAC interface.

### 7.3.1.5.6 Reverse Loopback



**Figure 7-9. Reverse Loopback With Data Generator**



**Figure 7-10. Reverse Loopback Without Data Generator**

Reverse Loopback receives data on the MDI and passes data through the entire receive block where the data is then looped back within the PCS layer to the transmit block. The data is transmitted back out on the MDI to the attached Link Partner. To avoid contention, MAC transmit path is isolated.

#### Enable Loopback

Write register 0x0016 = 0x0110

#### Enable Data Generator/Checker For MAC Side

Write register 0x0624 = 0x55BF

Use the following register settings to enable checker depending on the MAC interface mode.

- For RGMII, write register 0x0619 = 0x1004
- For SGMII, write register 0x0619 = 0x1114
- For RMII, write register 0x0619 = 0x1224
- For MII, write register 0x0619 = 0x1334

#### Check Incoming Data From MAC Side

Data can also be checked internally by reading registers 0x063C, 0x063D, 0x063E. The registers must be read together and in this order.

### Enable Data Generator/Checker For Cable Side

Write register 0x0624 = 0x55BF

Write register 0x0619 = 0x0557

### Check Data For Cable Side

1. Write register 0x0620[1] = 1'b1
2. Read register 0x620
  - a. Bit [7:0] = Number of errors bytes received
  - b. Bit [8] = PRBS checker lock status on incoming data (1'b1 indicates lock)

Repeat steps 1 and 2 to continuously check error status of incoming data stream.

### Other System Requirements

Data generate by the internal PRBS is transmitted over the MDI and the MAC interface.

#### 7.3.2 Compliance Test Modes

---

##### Note

See also the [DP83TC812](#), [DP83TC813](#), and [DP83TC814: Configuring for Open Alliance Specification Compliance](#) application note for more information about the register settings used for compliance testing. Use these register settings to achieve the same performance as observed during compliance testing.

---

the DP83TC813-Q1 supports all four PMA compliance test modes required in IEEE 802.3bw, sub-clause 96.5.2. These compliance test modes include:

- Transmitter waveform power spectral density (PSD) mask
- Amplitude
- Distortion
- 100BASE-T1 Leader jitter
- 100BASE-T1 Follower jitter
- Droop
- Transmitter frequency
- Frequency tolerance
- Return loss
- Mode conversion

TX\_TCLK can be routed to CLKOUT/LED\_1 pin for 100BASE-T1 Follower Jitter measurement. This can be enabled via register 0x45F. The device must be configured in Follower mode.

##### 7.3.2.1 Test Mode 1

Test mode 1 evaluates transmitter droop. In test mode 1, the DP83TC813-Q1 transmits '+1' symbols for a minimum of 600ns followed by '-1' symbols for a minimum of 600ns. This pattern is repeated continuously until the test mode is disabled.

Test mode 1 is enabled by setting bits[15:13] = 0b001 in the MMD1\_PMA\_TEST\_MODE\_CTRL Register (0x1836).

##### 7.3.2.2 Test Mode 2

Test mode 2 evaluates the transmitter 100BASE-T1 Leader mode jitter. In test mode 2, the DP83TC813-Q1 transmits a {+1,-1} data symbol sequence. The transmitter synchronizes the transmitted symbols from the local reference clock.

Test mode 2 is enabled by setting bits[15:13] = 0b010 in MMD1\_PMA\_TEST\_MODE\_CTRL Register (0x1836).

### 7.3.2.3 Test Mode 4

Test mode 4 evaluates the transmitter distortion. In test mode 4, the DP83TC813-Q1 transmits the sequence of symbols generated by [Equation 1](#):

$$g(x) = 1 + x^9 + x^{11} \tag{1}$$

The bit sequences,  $x0_n$  and  $x1_n$ , are generated from combinations of the scrambler in accordance to [Equation 2](#) and [Equation 3](#):

$$x0_n = \text{Scr}_n[0] \tag{2}$$

$$x1_n = \text{Scr}_n[1]^{\text{Scr}_n[4]} \tag{3}$$

[Table 7-3](#) shows example streams of the 3-bit nibbles.

**Table 7-3. Transmitter Test Mode 4 Symbol Mapping**

x1n	x0n	PAM3 SYMBOL
0	0	0
0	1	+1
1	0	0
1	1	-1

Test mode 4 is enabled by setting bits[15:13] = 0b100 in MMD1\_PMA\_TEST\_MODE\_CTRL Register (0x1836).

### 7.3.2.4 Test Mode 5

Test mode 5 evaluates the transmitter PSD mask. In test mode 5, the DP83TC813-Q1 transmits a pseudo-random sequence of PAM3 symbols.

Test mode 5 is enabled by setting bits[15:13] = 0b101 in MMD1\_PMA\_TEST\_MODE\_CTRL Register (0x1836).

## 7.4 Device Functional Modes

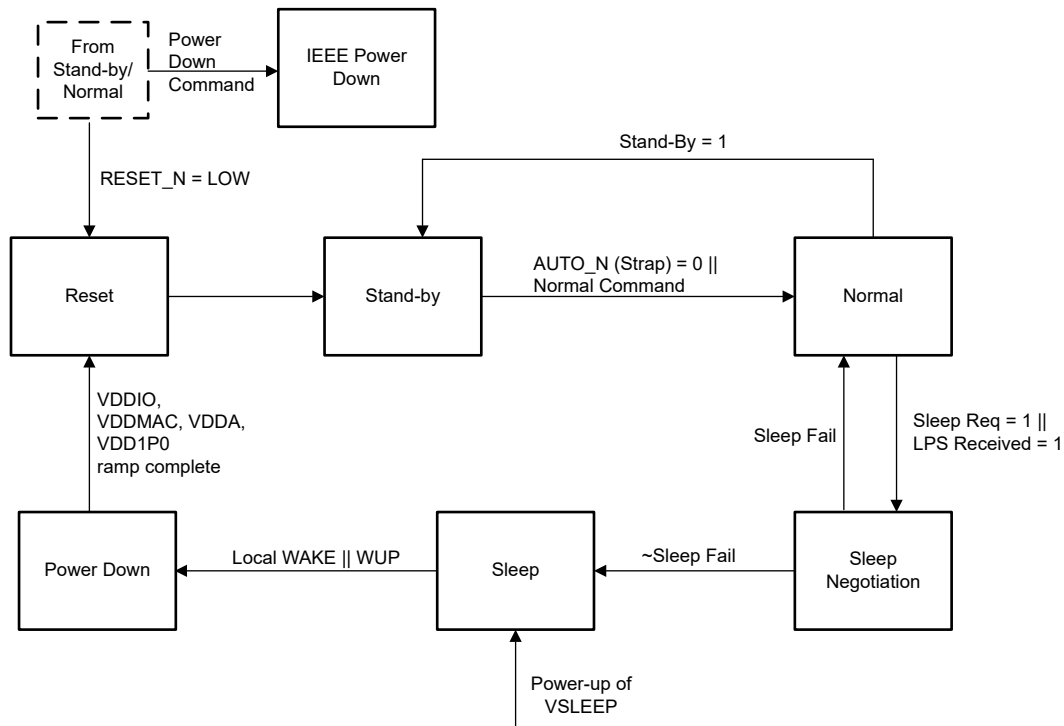


Figure 7-11. Power State Diagram

### 7.4.1 Power Down

When any of the supply rails are below the POR threshold ( $\approx 0.6V$ ), the PHY is in a power-down state. All digital IOs remains in high impedance states and analog blocks are disabled. PMA termination is not present when powered down.

### 7.4.2 Reset

Reset is activated upon power-up, when  $\overline{RESET}$  is pulled LOW (for the minimum reset pulse time) or if hardware reset is initiated by setting bit[15] in register 0x1F. All digital circuitry is cleared along with register settings during reset. Once reset completes, device bootstraps are re-sampled and associated bootstrap registers are set accordingly. PMA termination is not present in reset.

### 7.4.3 Standby

The device (100BASE-T1 Leader mode only) automatically enters into standby post power-up and reset so long that all supplies including VSLEEP are available and the device is bootstrapped for managed operation.

In standby, all PHY functions are operational except for PCS and PMA blocks. The PMA termination is also not present. Link establishment is not possible in standby and data cannot be transmitted or received. SMI functions are operational and register configurations are maintained.

If the device is configured for autonomous operation through bootstrap setting, the PHY automatically switches to normal operation once POR is complete.

### 7.4.4 Normal

Enter normal mode from either autonomous or managed operation. When in autonomous operation, the PHY automatically tries to establish a link with a valid Link Partner once POR is complete.

In managed operation, SMI access is required to allow the device to exit standby (100BASE-T1 Leader mode only); commands issued through the SMI allow the device to exit standby and enables both the PCS and PMA blocks. All device features are operational in normal mode.

Enable autonomous operation through SMI access by setting register 0x18B[6] = '1'. Note that this bit is auto-cleared after link up.

#### **7.4.5 Sleep Ack**

When the PHY receives low power sleep requests from the link partner, the PHY enters Sleep Ack mode. In this mode, the PHY allows 8ms for the MAC to decide if TC-10 sleep mode must be enabled or not. If the MAC decides to allow TC-10, the PHY proceeds to the next step in TC-10 state machine. However, the MAC can decide to abort TC-10 and the PHY returns to Normal mode. TC10 can be aborted using the register setting by disabling TC10 or using GPIO. If TC10 is aborted by disabling TC10 feature, then re-enable TC10 feature once the sleep request has been aborted.

#### **7.4.6 Sleep Request**

Sleep request is entered when switching from normal mode to sleep mode. This is an intermediate state and is used to for a smooth transition into sleep mode. In sleep request mode, the PHY transmits LPS code-groups, informing the Link Partner that sleep is requested.

PHY sleep\_rqst\_timer (default = 16ms) begins once the PHY enters into sleep request mode. LPS decoding at the Link Partner triggers the LPS RECEIVED interrupt. In sleep request state device waits for Link Partner to send LPS symbols. Once LPS symbols are received by the device, the device transitions to the SLEEP\_SILENT state. If the sleep\_rqst\_timer expires before device receives LPS codes, the device enters SLEEP FAIL state. .

#### **7.4.7 Sleep Fail**

The PHY enters sleep fail mode if the Sleep\_rqst\_timer expires when in sleep\_request state or sleep\_silent state.. This indicates that the link partner has not entered sleep mode. After entering sleep fail mode, the PHY transitions to Normal mode.

#### **7.4.8 Sleep**

If sleep enable is set, the PHY transitions to sleep mode after the MDI line goes silent when in sleep\_silent state; however, if sleep enable is not set, the device transitions to standby after the MDI line goes silent. By default, sleep enable is set. Once in sleep mode, all PHY blocks are disabled except for energy detection on the MDI. All register configurations are lost in sleep mode. No link can be established, data cannot be transmitted or received and SMI access is not available when in sleep mode.

---

#### **Note**

When the PHY is in Sleep mode, the MAC interface must not be driven by the Ethernet MAC.

---

#### **7.4.9 Wake-Up**

The user can wake up the DP83TC813S-Q1 remotely through energy detection on the MDI or locally using the WAKE pin. For local wake, the WAKE pin must be pulled HIGH. If the WAKE pin is tied LOW, the PHY only exits sleep if energy is detected on the MDI.

#### **7.4.10 TC10 System Example**

The following block diagrams explains how TC10 sleep and wake function works in a system.

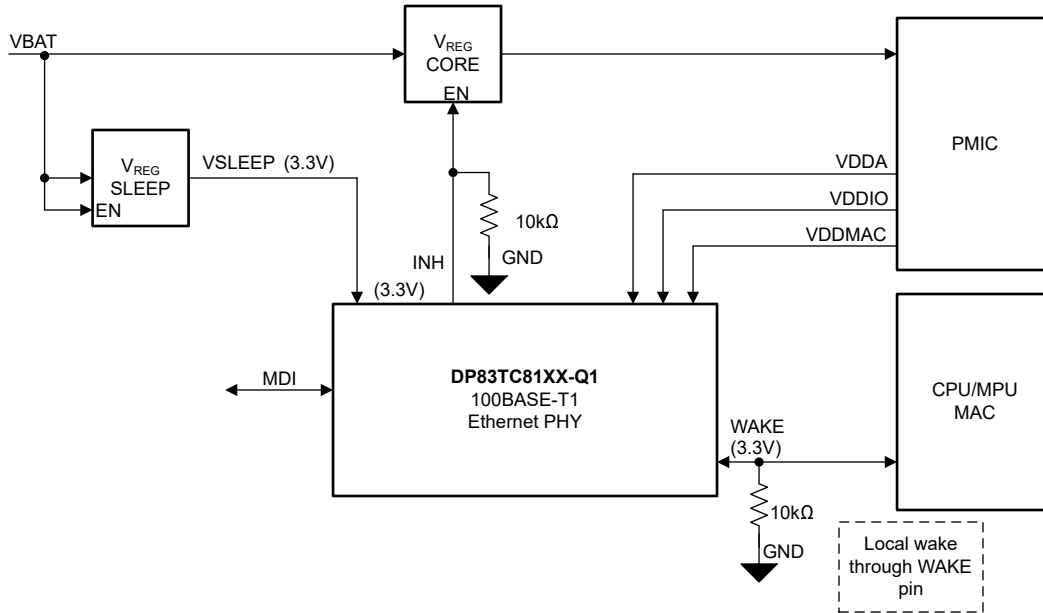


Figure 7-12. TC10 System Example - Remote Wake

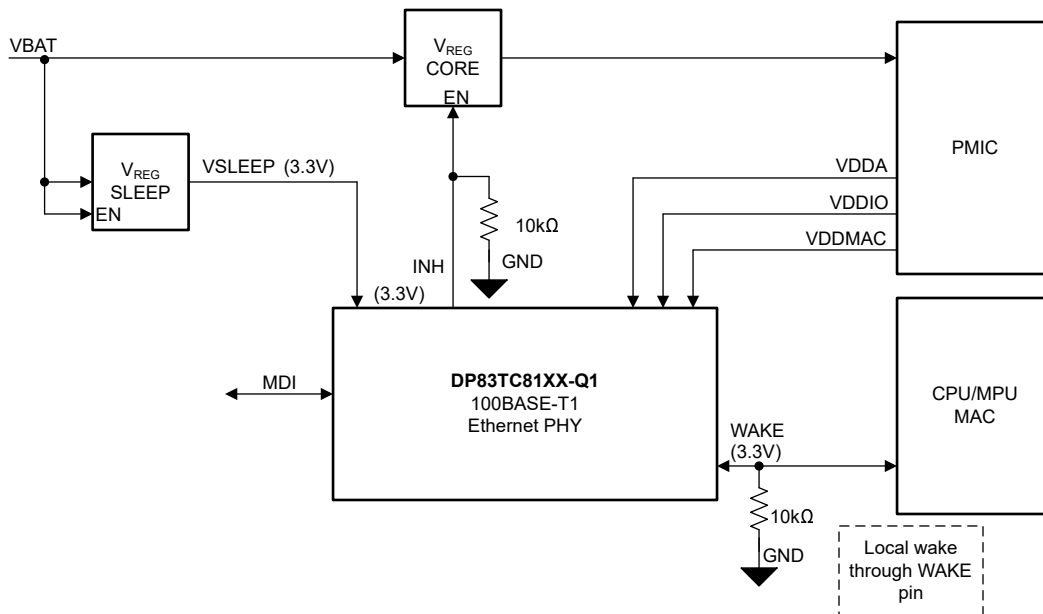


Figure 7-13. TC10 System Example - Local Wake

### Remote Wake Up

For remote wake up, the initial state of the system is TC10 sleep. Core voltages to the PHY and MAC are turned off but the VSLEEP of the PHY is present. At some time, wake-up pulses (WUP) are received on the MDI lines. The PHY receives the message and if the sequence is valid then the PHY wakes up and drives INH pin HIGH. INH pin is used as enable input to voltage regulator (meaning, the LDO). Voltage regulators turns on and supplies power to a power management device. The power management device then supplies power to the PHY, MAC, and any other devices on the system. The whole system powers up and becomes operational.

### Wake Forwarding

DP83TC813-Q1

support wake forwarding feature. When the device received Wake-Up Requests (WUR) or Wake-Up Pulses (MDI) on the MDI then the PHY transmits an 40µs high pulse on the WAKE pin. This can be used to wake-up any other PHYs on the system that are in TC-10 sleep.

### Local Wake Up

For local wake, some portion of the system is assumed to already be active and the PHY is in TC10 sleep. As an example, the system can have micro-controller in active mode to control the WAKE pin of the PHY. When the MCU wants to wake up the PHY from TC10 sleep, the MCU raises the WAKE pin to 3.3V to send a wake pulse (min. 40µs). The PHY wakes up and drives INH pin HIGH. INH pin is used as enable input to voltage regulator (meaning, the LDO). Voltage regulator turns on and supplies power to a power management device. The power management device then supplies power to the PHY. Any other device on the system that depends on the PHY wake up can now be powered up and the system becomes operational.

### Local Sleep

When the PHY is in normal operational mode and the MAC needs to put PHY in TC10 sleep, the MAC initiates the TC10 sleep process using SMI on the PHY. DP83TC813-Q1 then sends LPS signals on MDI to the link partner. If the link partner also agrees to enter TC10 sleep, the host PHY enters TC10 sleep. The link partner then releases the INH pin and the link partner gets pulled low through the external pulldown resistor. Voltage regulator that uses INH pin as enable input is turned off. PHY, MAC, and any other devices that are dependent on the voltage regulator is turned off. The PHY still has VSLEEP voltage present and continue to stay in TC10 sleep.

#### 7.4.11 Media Dependent Interface

##### 7.4.11.1 100BASE-T1 Leader and 100BASE-T1 Follower Configuration

100BASE-T1 Leader and 100BASE-T1 Follower are configured using either hardware bootstraps or through register access.

RX\_D3 controls the 100BASE-T1 Leader and 100BASE-T1 Follower bootstrap configuration. By default, 100BASE-T1 Follower mode is configured because there is an internal pulldown resistor on the RX\_D3 pin. If 100BASE-T1 Leader mode configuration through hardware bootstrap is preferred, an external pullup resistor is required.

Additionally, bit[14] in the **MMD1\_PMA\_CTRL\_2 Register (Address 0x1834)** controls the 100BASE-T1 Leader and 100BASE-T1 Follower configuration. When this bit is set, 100BASE-T1 Leader mode is enabled.

##### 7.4.11.2 Auto-Polarity Detection and Correction

During the link training process, the DP83TC813-Q1 100BASE-T1 Follower device can detect polarity reversal and automatically corrects the error. If polarity reversal is detected, the 100BASE-T1 Follower self-inverts transmitted signals to account for the error and verifies compatibility with the 100BASE-T1 Leader. Polarity at the 100BASE-T1 Leader is always observed as correct because polarity detection and correction is handled entirely by the 100BASE-T1 Follower.

Disable the auto-polarity correction in cases where the correction is not required. Disabling of auto-polarity correction is achieved using register 0x0553.

##### 7.4.11.3 Jabber Detection

The jabber function prevents the PCS Receive state machine from locking up into a DATA state if the End-of-Stream Delimiters, ESD1 and ESD2, are never detected or received within the rcv\_max\_timer. When the maximum receive DATA state timer expires, the PCS Receive state machine is reset and transitions into IDLE state. IEEE 802.3bw specifies that jabber timeout be set to 1.08ms ± 54µs. By default, jabber timeout in the DP83TC813 is set to 1.1ms. This timer is configurable in *Register 0x496[10:0]*.

#### 7.4.11.4 Interleave Detection

The interleave function allows for the DP83TC813-Q1 to detect and de-interleave the serial stream from a connected link partner. The two possible interleave sequences of ternary symbols include: (TA<sub>n</sub>, TB<sub>n</sub>) or (TB<sub>n</sub>, TA<sub>n</sub>).

#### 7.4.12 MAC Interfaces

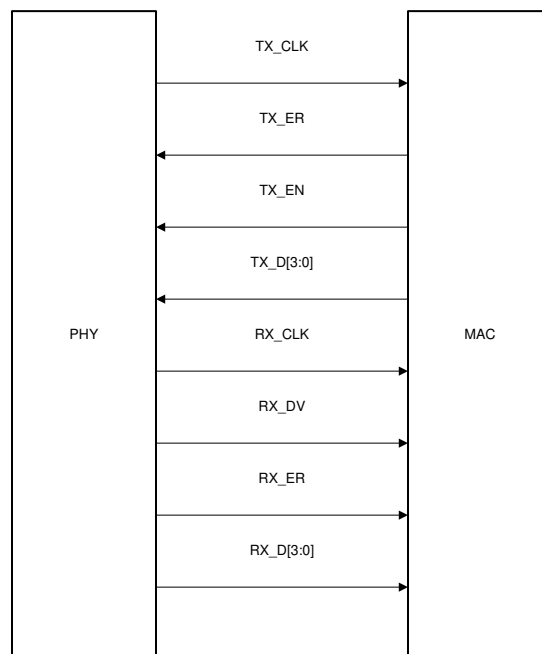
##### 7.4.12.1 Media Independent Interface

The Media Independent Interface (MII) is a synchronous 4-bit wide nibble data interface that connects the PHY to the MAC. The MII is fully compliant with IEEE 802.3-2015 clause 22. The PHY has internal series termination resistors on MII output pins including TX\_CLK output when the PHY is operating in MII mode. In this mode, do not leave the MII-TX pins floating or High-Z.

Table 7-4 summarizes the MII signals.

**Table 7-4. MII Signals**

FUNCTION	PINS
Data Signals	TX_D[3:0]
	RX_D[3:0]
Control Signals	TX_EN, TX_ER
	RX_DV, RX_ER
Clock Signals	TX_CLK
	RX_CLK



**Figure 7-14. MII Signaling**

**Table 7-5. MII Transmit Encoding**

TX_EN	TX_ER	TX_D[3:0]	DESCRIPTION
0	0	0000 through 1111	Normal Inter-Frame
0	1	0000 through 1111	Reserved
1	0	0000 through 1111	Normal Data Transmission
1	1	0000 through 1111	Transmit Error Propagation

**Table 7-6. MII Receive Encoding**

RX_DV	RX_ER	RX_D[3:0]	DESCRIPTION
0	0	0000 through 1111	Normal Inter-Frame
0	1	0000	Normal Inter-Frame
0	1	0001 through 1101	Reserved
0	1	1110	False Carrier Indication
0	1	1111	Reserved
1	0	0000 through 1111	Normal Data Reception
1	1	0000 through 1111	Data Reception with Errors

#### 7.4.12.2 Reduced Media Independent Interface

The DP83TC813-Q1 incorporates the Reduced Media Independent Interface (RMII) as defined in the RMII Revision 1.2 and 1.0 from the RMII consortium. The purpose of this interface is to provide a reduced pin count alternative to the IEEE 802.3u MII as specified in Clause 22. Architecturally, the RMII specification provides an additional reconciliation layer on either side of the MII, but can be implemented in the absence of an MII.

The DP83TC813-Q1 offers two types of RMII operations: RMII Follower and RMII Leader. In RMII Follower Mode, the DP83TC813-Q1 operates off a 50MHz CMOS-level oscillator, which is either provided by the MAC or synchronous to the MAC reference clock. In RMII Leader operation, the DP83TC813-Q1 operates off of either a 25MHz CMOS-level oscillator connected to XI pin or a 25MHz crystal connected across XI and XO pins. When bootstrapping to RMII Leader Mode, a 50MHz output clock automatically is enabled on RX\_D3. Route this 50MHz output clock to the MAC.

The RMII specification has the following characteristics:

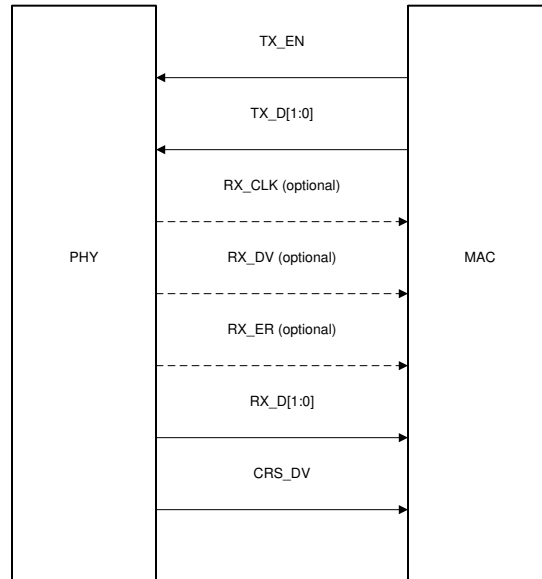
- Single clock reference shared between MAC and PHY
- Provides independent 2-bit wide transmit and receive data paths

In this mode, data transfers are two bits for every clock cycle using the 50MHz reference clock for both transmit and receive paths.

The RMII signals are summarized in [Table 7-7](#):

**Table 7-7. RMII Signals**

FUNCTION	PINS
Data Signals	TX_D[1:0]
	RX_D[1:0]
Control Signals	TX_EN
	CRS_DV



**Figure 7-15. RMII Signaling**

**Table 7-8. RMII Transmit Encoding**

TX_EN	TX_D[1:0]	DESCRIPTION
0	00 through 11	Normal Inter-Frame
1	00 through 11	Normal Data Transmission

**Table 7-9. RMII Receive Encoding**

CRS_DV	RX_ER	RX_D[1:0]	DESCRIPTION
0	0	00 through 11	Normal Inter-Frame
0	1	00	Normal Inter-Frame
0	1	01 through 11	Reserved
1	0	00 through 11	Normal Data Reception
1	1	00 through 11	Data Reception with Errors

**RMII Follower:** Data on TX\_D[1:0] are latched at the PHY with reference to the rising edge of the reference clock at the XI pin. Data is presented on RX\_D[1:0] with reference to the same rising clock edges at the XI pin.

**RMII Leader:** Data on TX\_D[1:0] are latched at the PHY with reference to the rising edge of the reference clock at the RX\_D3 pin. Data is presented on RX\_D[1:0] with reference to the same rising clock edges at the RX\_D3 pin.

The DP83TC813-Q1 RMII supplies an RX\_DV signal, which provides a simpler method to recover receive data without the need to separate RX\_DV from the CRS\_DV indication. RX\_ER is also supported even though the RMII specification does not require RX\_ER.

RMII includes a programmable FIFO to adjust for the frequency differences between the reference clock and the recovered clock. The programmable FIFO, located in the register 0x0011[9:8] and register 0x0648[9:7], minimizes internal propagation delay based on expected maximum packet size and clock accuracy.

**Table 7-10. XI Clock PPM = ± 100ppm**

Reg 0x0011 <9:8>	Reg 0x0648 <9:7>	INCREMENT PHY LATENCY	MAX PACKET LENGTH WITHOUT ERRORS
01	010	Default	2250
10	100	80ns	7250

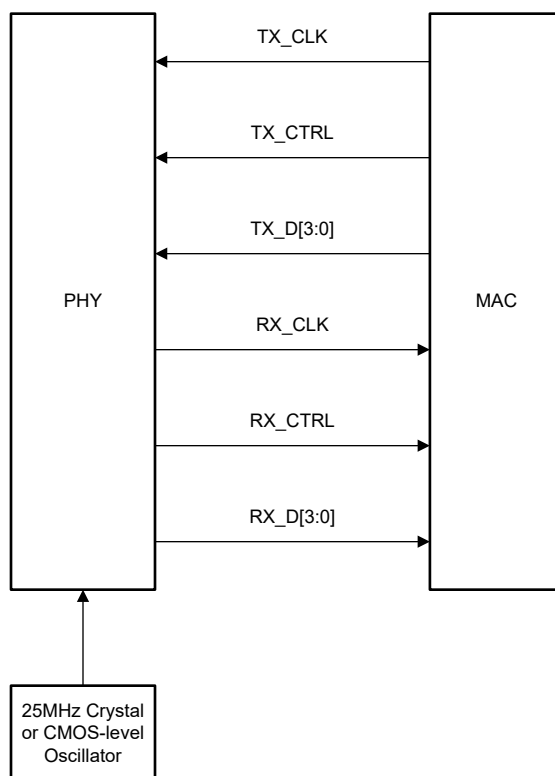
### 7.4.12.3 Reduced Gigabit Media Independent Interface

The DP83TC813-Q1 also supports Reduced Gigabit Media Independent Interface (RGMII) as specified by RGMII version 2.0 with LVCMOS. RGMII is designed to reduce the number of pins required to connect MAC and PHY. To accomplish this goal, the control signals are multiplexed. Both rising and falling edges of the clock are used to sample the control signal pin on transmit and receive paths. Data is samples on just the rising edge of the clock. For 100Mbps operation, RX\_CLK and TX\_CLK operate at 25MHz.

The RGMII signals are summarized in [Table 7-11](#):

**Table 7-11. RGMII Signals**

FUNCTION	PINS
Data Signals	TX_D[3:0]
	RX_D[3:0]
Control Signals	TX_CTRL
	RX_CTRL
Clock Signals	TX_CLK
	RX_CLK



**Figure 7-16. RGMII Connections**

**Table 7-12. RGMII Transmit Encoding**

TX_CTRL (POSITIVE EDGE)	TX_CTRL (NEGATIVE EDGE)	TX_D[3:0]	DESCRIPTION
0	0	0000 through 1111	Normal Inter-Frame
0	1	0000 through 1111	Reserved
1	0	0000 through 1111	Transmit Error Propagation
1	1	0000 through 1111	Normal Data Transmission

**Table 7-13. RGMII Receive Encoding**

RX_CTRL (POSITIVE EDGE)	RX_CTRL (NEGATIVE EDGE)	RX_D[3:0]	DESCRIPTION
0	0	0000 through 1111	Normal Inter-Frame
0	1	0000 through 1101	Reserved
0	1	1110	False Carrier Indication
0	1	1111	Reserved
1	0	0000 through 1111	Data Reception with Errors
1	1	0000 through 1111	Normal Data Reception

During packet reception, RX\_CLK can stretch on either the positive or negative pulse to accommodate the transition from the internal free running clock to a recovered clock (data synchronous). Data can duplicate on the falling edge of the clock because double data rate (DDR) is only required for 1Gbps operation, which is not supported by the DP83TC813-Q1.

The DP83TC813-Q1 supports in-band status indication to help simplify link status detection. Inter-frame signals on RX\_D[3:0] pins as specified in [Table 7-14](#).

**Table 7-14. RGMII In-Band Status**

RX_CTRL	RX_D3	RX_D[2:1]	RX_D0
00 <b>Note:</b> In-band status is only valid when RX_CTRL is low	<b>Duplex Status:</b> 0 = Half-Duplex 1 = Full-Duplex	<b>RX_CLK Clock Speed:</b> 00 = 2.5MHz 01 = 25MHz 10 = 125MHz 11 = Reserved	<b>Link Status:</b> 0 = Link not established 1 = Valid link established

#### 7.4.12.4 Serial Gigabit Media Independent Interface

The Serial Gigabit Media Independent Interface (SGMII) provides a means for data transfer between MAC and PHY with significantly less signal pins (4 pins) compared to MII (14 pins), RMII (7 pins) or RGMII (12 pins). SGMII uses low-voltage differential signaling (LVDS) to reduce emissions and improve signal quality.

The DP83TC813 SGMII can operate in 4-wire. SGMII is configurable through hardware bootstraps. In 4-wire operation, two differential pairs are used to transmit and receive data. Clock and data recovery are performed in the MAC and in the PHY.

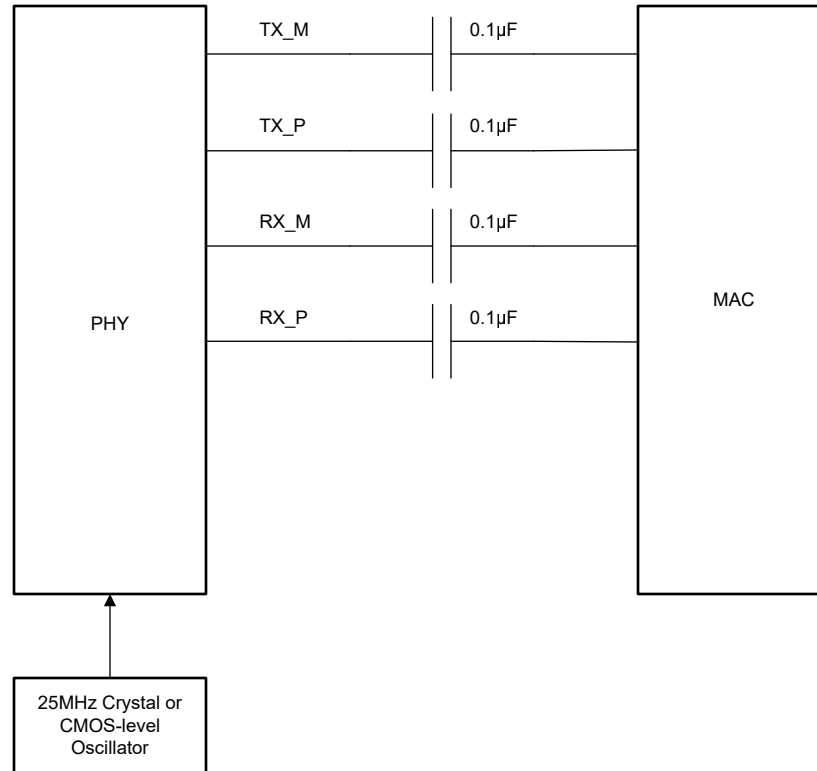
Because the DP83TC813 operates at 100Mbps, the 1.25Gbps rate of the SGMII is excessive. The SGMII specification allows for 100Mbps operation by replicating each byte within a frame 10 times. Frame elongation occurs above the IEEE 802.3 PCS layer, which prevents the start-of-frame delimiter from appearing more than once.

Because the DP83TC813 only supports 100Mbps speed, SGMII Auto-Negotiation is disabled by setting bit[0] = 0b0 in the *Register 0x608*.

The SGMII signals are summarized in [Table 7-15](#).

**Table 7-15. SGMII Signals**

FUNCTION	PINS
Data Signals	TX_M, TX_P
	RX_M, RX_P



**Figure 7-17. SGMII Connections**

#### 7.4.13 Serial Management Interface

The Serial Management Interface (SMI) provides access to the DP83TC813S-Q1 internal register space for status information and configuration. The SMI frames and base registers are compatible with IEEE 802.3 clause 22. The implemented register set consists of the registers required by the IEEE 802.3 plus several others to provide additional visibility and controllability of the DP83TC813S-Q1. Additionally, the DP83TC813S-Q1 includes control and status registers added to clause 45 as defined by IEEE 802.3bw. Access to clause 45 register field is achieved using clause 22 access.

The SMI includes the management clock (MDC) and the management input and output data pin (MDIO). The external management entity, also called Station (STA), sources the MDC and can run at a maximum clock rate of 24MHz. MDC is not expected to be continuous, and the external management entity can turn off the MDC when the bus is idle.

The external management entity and by the PHY source the MDIO. The data on the MDIO pin is latched on the rising edge of the MDC. MDIO pin requires a pullup resistor (2.2KΩ) to VDDIO, which pulls MDIO high during IDLE and turnaround.

Up to 9 DP83TC813S-Q1 PHYs can share a common SMI bus. To distinguish between the PHYs, a 4-bit address is used. During power-up-reset, the DP83TC813S-Q1 latches the PHYAD[3:0] configuration pins to determine the address.

The management entity must not start an SMI transaction in the first cycle after power-up-reset. To maintain valid operation, the SMI bus must remain inactive at least one MDC cycle after hard reset is deasserted. In normal MDIO transactions, the register address is taken directly from the management-frame reg\_addr field, thus allowing direct access to 32 16-bit registers (including those defined in IEEE 802.3 and vendor specific). The data field is used for both reading and writing. The Start code is indicated by a <01> pattern. This pattern makes sure that the MDIO line transitions from the default idle line state. The definition of turnaround is as an idle bit time inserted between the Register Address field and the Data field. To avoid contention during a read transaction, no device can actively drive the MDIO signal during the first bit of turnaround. The addressed

DP83TC813S-Q1 drives the MDIO with a zero for the second bit of turnaround and follows this with the required data.

For write transactions, the station-management entity writes data to the addressed DP83TC813S-Q1, thus eliminating the requirement for MDIO Turnaround. The turnaround time is filled by the management entity by inserting <10>.

**Table 7-16. SMI Protocol Structure**

SMI PROTOCOL	<idle> <start> <op code> <device address> <reg address> <turnaround> <data> <idle>
Read Operation	<idle><01><10><AAAA><RRRRR><Z0><XXXX XXXX XXXX XXXX><idle>
Write Operation	<idle><01><01><AAAA><RRRRR><10><XXXX XXXX XXXX XXXX><idle>

#### 7.4.13.1 Direct Register Access

Direct register access can be used for the first 31 registers (0x0 through 0x1F).

#### 7.4.13.2 Extended Register Space Access

The DP83TC813S-Q1's SMI function supports read or write access to the extended register set using registers REGCR (0x0D) and ADDAR (0x0E) and the MDIO Manageable Device (MMD) indirect method defined in IEEE 802.3ah Draft for Clause 22 for accessing the Clause 45 extended register set.

#### Note

Registers with addresses above 0x001F require indirect access. For indirect access, a sequence of register writes must be followed. The MMD value defines the Device Address (DEVAD) of the register set. The DEVAD must be configured in the register 0x000D (REGCR) bits [4:0] for indirect access

The DP83TC813S-Q1 supports 3 MMD device addresses:

1. MMD1F (Vendor specific registers): DEVAD [4:0] = '11111'
2. MMD1 (IEEE 802.3az defined registers): DEVAD [4:0] = '00001'
3. MMD3 (IEEE 802.3az defined registers): DEVAD [4:0] = '00011'

**Table 7-17. MMD Register Space Division**

MMD Register Space	Register Address Range
MMD1F	0x0000 - 0x0FFF
MMD1	0x1000 - 0x1FFF
MMD3	0x3000 - 0x3FFF

The following sections describe how to perform operations on the extended register set using register REGCR and ADDAR. The descriptions use the device address for MMD1F register accesses (DEVAD[4:0] = 11111).

#### 7.4.13.3 Write Operation (No Post Increment)

To write a register in the extended register set:

Instruction	Example: Set reg 0x0170 = 0C50
1. Write the value 0x001F (address function field = 00, DEVAD = 31) to register REGCR (0x0D).	Write register 0x0D to value 0x001F
2. Write the desired register address to register ADDAR (0x0E).	Write register 0x0E to value 0x0170
3. Write the value 0x401F (data, no post increment function field = 01, DEVAD = 31) to register REGCR.	Write register 0x0D to value 0x401F
4. Write the content of the desired extended register set register to register ADDAR.	Write register 0x0E to value 0x0C50

Subsequent writes to register ADDAR (step 4) continue to rewrite the register selected by the value in the address register.

**Note**

Steps (1) and (2) can be skipped if the address register is previously configured.

**7.4.13.4 Read Operation (No Post Increment)**

To read a register in the extended register set:

Instruction	Example: Read 0x0170
1. Write the value 0x001F (address function field = 00, DEVAD = 31) to register REGCR.	Write register 0x0D to value 0x001F
2. Write the desired register address to register ADDAR.	Write register 0x0E to value 0x0170
3. Write the value 0x401F (data, no post increment function field = 01, DEVAD = 31) to register REGCR.	Write register 0x0D to value 0x401F
4. Read the content of the desired extended register set register to register ADDAR.	Read register 0x0E

Subsequent reads from register ADDAR (step 4) continue reading the register selected by the value in the address register.

**Note**

Steps (1) and (2) can be skipped if the address register is previously configured.

**7.4.13.5 Write Operation (Post Increment)**

To write a register in the extended register set and automatically increment the address register to the next higher value following the write operation:

Instruction	Example: Set reg 0x0170 = 0C50 & reg 0x0171 = 0x0011
1. Write the value 0x001F (address function field = 00, DEVAD = 31) to register REGCR.	Write register 0x0D to value 0x001F
2. Write the register address from register ADDAR.	Write register 0x0E to value 0x0170
3. Write the value 0x801F (data, post increment on reads and writes function field = 10, DEVAD = 31) or the value 0xC01F (data, post increment on writes function field = 11. DEVAD = 31) to register REGCR.	Write register 0x0D to value 0x801F
4. Write the content of the desired extended register set register to register ADDAR.	Write register 0x0E to value 0x0C50
5. Subsequent writes to register ADDAR (step 4) writes the next higher addressed data register selected by the value of the address register; the address register is incremented after each access.	Write register 0x0E to value 0x0011

Step 4 Writes register 0x0170 to 0x0C50 and because post increment is enabled, Step 5 writes register 0x0171 to 0x0011.

**7.4.13.6 Read Operation (Post Increment)**

To read a register in the extended register set and automatically increment the address register to the next higher value following the read operation:

Instruction	Example: Read register 0x0170 & 0x0171
1. Write the value 0x001F (address function field = 00, DEVAD = 31) to register REGCR.	Write register 0x0D to value 0x001F

Instruction	Example: Read register 0x0170 & 0x0171
2. Write the desired register address to register ADDAR.	Write register 0x0E to value 0x0170
3. Write the value 0x801F (data, post increment on reads and writes function field = 10, DEVAD = 31) to register REGCR.	Write register 0x0D to value 0x801F
4. Read the content of the desired extended register set register to register ADDAR.	Read register 0x0E
5. Subsequent reads to register ADDAR (step 4) reads the next higher addressed data register selected by the value of the address register; the address register is incremented after each access.	Read register 0x0E

Step 4 Reads register 0x0170 and because post increment is enabled, Step 5 reads register 0x0171.

## 7.5 Programming

### 7.5.1 Strap Configuration

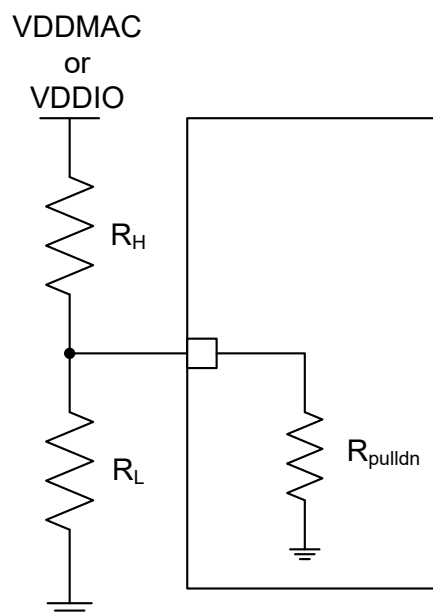
The DP83TC813S-Q1 uses functional pins as strap options to place the device into specific modes of operation. The values of these pins are sampled at power up and hardware reset (through either the  $\overline{\text{RESET}}$  pin or register access). Some strap pins support 3 levels and some strap pins support 2 levels, which are described in greater detail below. PHY address straps, RX\_DV/RX\_CTRL and RX\_ER, are 3-level straps while all other straps are two levels. Configuration of the device can be done through strapping or through serial management interface.

#### Note

Because strap pins are functional pins after reset is deasserted, strap pins must not be connected directly to VDDIO or VDDMAC or GND. Either pullup resistors, pulldown resistors, or both are required for proper operation.

#### Note

When using VDDMAC and VDDIO separately, connect strap resistors to the correct voltage rail. The voltage domain of each pin is listed in .



**Figure 7-18. Strap Circuit**

$R_{\text{pullup}}$  value is included in the Electrical Characteristics table of the datasheet.

**Table 7-18. Recommended 3-Level Strap Resistor Ratios for PHY Address**

MODE <sup>3</sup>	IDEAL RH (kΩ) (VDDIO = 3.3V) <sup>(1)</sup>	IDEAL RH (kΩ) (VDDIO = 2.5V) <sup>(2)</sup>	IDEAL RH (kΩ) (VDDIO = 1.8V) <sup>(1)</sup>
1	OPEN	OPEN	OPEN
2	13	12	4
3	4.5	2	0.8

- (1) Strap resistors with 10% tolerance.  
 (2) Strap resistors with 1% tolerance.

**Table 7-19. Recommended 2-Level Strap Resistors**

MODE	IDEAL RH (kΩ) <sup>(1)</sup>
1	OPEN
2	2.49

- (1) Strap resistors with up to 10% tolerance can be used.

The following table describes the PHY configuration bootstraps:

**Table 7-20. Bootstraps**

PIN NAME	PIN NO.	DOMAIN	DEFAULT MODE	STRAP FUNCTION			DESCRIPTION
				MODE	PHY_AD[0]	PHY_AD[2]	
RX_DV/ RX_CTRL	22	VDDMAC	1	MODE	PHY_AD[0]	PHY_AD[2]	PHY_AD: PHY Address ID
				1	0	0	
				2	0	1	
RX_ER	21	VDDMAC	1	MODE	PHY_AD[1]	PHY_AD[3]	PHY_AD: PHY Address ID
				1	0	0	
				2	0	1	
RX_CLK	28	VDDMAC	1	MODE	AUTO		AUTO: Autonomous Disable.
				1	0		
				2	1		
RX_D0	27	VDDMAC	1	MODE	MAC[0]		MAC: MAC Interface Selection
				1	0		
RX_D1	26	VDDMAC	1	MODE	MAC[1]		MAC: MAC Interface Selection
				1	0		
RX_D2	25	VDDMAC	1	MODE	MAC[2]		MAC: MAC Interface Selection
				1	0		
RX_D3	24	VDDMAC	1	MODE	MS		MS: 100BASE-T1 Leader and 100BASE-T1 Follower Selection
				1	0		
				2	1		

**Note**

Refer to the [DP83TC812, DP83TC813, and DP83TC814: Configuring for Open Alliance Specification Compliance](#) application note for more information about the register settings used for compliance testing. Use these register settings to achieve the same performance as observed during compliance testing. Managed mode strap option is recommended to prevent the link up process from initiating while the software configuration from the aforementioned application note being executed. Once the software configuration is complete, remove the PHY from Managed mode by setting bit 0x018B[6] to '1'. This bit is auto-cleared after link up

**Table 7-21. 100BASE-T1 Leader and 100BASE-T1 Follower Selection Bootstrap**

MS	DESCRIPTION
0	100BASE-T1 Follower Configuration
1	100BASE-T1 Leader Configuration

**Table 7-22. Autonomous Mode Bootstrap**

AUTO	DESCRIPTION
0	Autonomous Mode, PHY able to establish link after power-up
1	Managed Mode, PHY must be allowed to establish link after power-up based on register write

**Table 7-23. MAC Interface Selection Bootstraps**

MAC[2]	MAC[1]	MAC[0]	DESCRIPTION
0	0	0	SGMII (4-wire) <sup>(1)</sup>
0	0	1	MII
0	1	0	RMII Follower
0	1	1	RMII Leader
1	0	0	RGMII (Align Mode)
1	0	1	RGMII (TX Internal Delay Mode)
1	1	0	RGMII (TX and RX Internal Delay Mode)
1	1	1	RGMII (RX Internal Delay Mode)

(1) SGMII strap mode is only available on 'S' type device variant. For 'R' type device variant, this strap mode is RESERVED

**Table 7-24. PHY Address Bootstraps**

PHY_AD[3:0]	RX_CTRL STRAP MODE	RX_ER STRAP MODE	DESCRIPTION <a href="#">Section 7.5.1</a>
0000	1	1	PHY Address: 0b00000 (0x0)
0001	-	-	NA
0010	-	-	NA
0011	-	-	NA
0100	2	1	PHY Address: 0b00100 (0x4)
0101	3	1	PHY Address: 0b00101 (0x5)
0110	-	-	NA
0111	-	-	NA
1000	1	2	PHY Address: 0b01000 (0x8)
1001	-	-	NA
1010	1	3	PHY Address: 0b01010 (0xA)
1011	-	-	NA
1100	2	2	PHY Address: 0b01100 (0xC)
1101	3	2	PHY Address: 0b01101 (0xD)
1110	2	3	PHY Address: 0b01110 (0xE)

**Table 7-24. PHY Address Bootstraps (continued)**

PHY_AD[3:0]	RX_CTRL STRAP MODE	RX_ER STRAP MODE	DESCRIPTION <a href="#">Section 7.5.1</a>
1111	3	3	PHY Address: 0b01111 (0xF)

### 7.5.2 LED Configuration

The DP83TC813S-Q1 supports 1 configurable LED pin (LED\_1) which also doubles up as a clock output pin (CLKOUT). Several functions can be multiplexed onto the LEDs for different modes of operation. LED operations are selected using register 0x0450. By default, Pin 14 of the DP83TC813 outputs the CLKOUT signal. To instead have the LED1 signal on Pin 14, write the following registers:

Write register 0x045F = 0x000F

Write register 0x0452 = 0x0000

Write register 0x0451 = 0x0009

### 7.5.3 PHY Address Configuration

The DP83TC813S-Q1 can be set to respond to any of nine possible PHY addresses through bootstrap pins. The PHY address latches into the device upon power-up or hardware reset. Each PHY on the serial management bus in the system must have a unique PHY address.

By default, DP83TC813S-Q1 latches to a PHY address of 0 (<0b00000>). Change this address by adding pullup resistors to bootstrap pins found in [Section 7.5.3](#).

## 8 Register Maps

### 8.1 Register Access Summary

There are two different methods for accessing registers within the field. Direct register access method is only allowed for the first 31 registers (0x0 through 0x1F). Registers beyond 0x1F must be accessed by use of the Indirect Method (Extended Register Space) described in [Section 7.4.13.2](#).

**Table 8-1. MMD Register Space Division**

MMD REGISTER SPACE	REGISTER ADDRESS RANGE
MMD1F	0x0000 - 0x0FFF
MMD1	0x1000 - 0x1FFF
MMD3	0x3000 - 0x3FFF

**Note**

For MMD1 and MMD3, the most significant nibble of the register address is used to denote the respective MMD space. This nibble must be ignored during actual register access operation. For example, to access register 0x1836, use 0x1 as the MMD indicator and 0x0836 as the register address.

**Table 8-2. Register Access Summary**

REGISTER FIELD	REGISTER ACCESS METHODS
0x0 through 0x1F	Direct Access
	Indirect Access, MMD1F = '11111' <b>Example:</b> to read register 0x17 in MMD1F field with no post increment Step 1) write 0x1F to register 0xD Step 2) write 0x17 to register 0xE Step 3) write 0x401F to register 0xD Step 4) read register 0xE
MMD1F Field 0x20 - 0xFFFF	Indirect Access, MMD1F = '11111' <b>Example:</b> to read register 0x462 in MMD1F field with no post increment Step 1) write 0x1F to register 0xD Step 2) write 0x462 to register 0xE Step 3) write 0x401F to register 0xD Step 4) read register 0xE
MMD1 Field 0x0 - 0xFFFF	Indirect Access, MMD1 = '00001' <b>Example:</b> to read register 0x7 in MMD1 field (register 0x1007) with no post increment Step 1) write 0x1 to register 0xD Step 2) write 0x7 to register 0xE Step 3) write 0x4001 to register 0xD Step 4) read register 0xE

## 8.2 DP83TC813 Registers

Table 8-3 lists the memory-mapped registers for the DP83TC813 registers. All register offset addresses not listed in Table 8-3 should be considered as reserved locations and the register contents should not be modified.

**Table 8-3. DP83TC813 Registers**

Offset	Acronym	Register Name	Section
0h	BMCR	IEEE Control Register	<a href="#">Section 8.2.1</a>
1h	BMSR	IEEE Status Register	<a href="#">Section 8.2.2</a>
2h	PHYIDR1	PHY Identification Register - 1	<a href="#">Section 8.2.3</a>
3h	PHYIDR2	PHY Identification Register - 2	<a href="#">Section 8.2.4</a>
10h	PHYSTS	PHY Status Register	<a href="#">Section 8.2.5</a>
11h	PHYSCR	Software Control Register	<a href="#">Section 8.2.6</a>
12h	MISR1	Interrupt Register -1	<a href="#">Section 8.2.7</a>
13h	MISR2	Interrupt Register -2	<a href="#">Section 8.2.8</a>
15h	RECR	RX Error Count Register	<a href="#">Section 8.2.9</a>
16h	BISCR	BIST Control Register	<a href="#">Section 8.2.10</a>
18h	MISR3	Interrupt Register -3	<a href="#">Section 8.2.11</a>
19h	REG_19	PHY Address Status Register	<a href="#">Section 8.2.12</a>
1Bh	TC10_ABORT_REG	TC10 Abort Register	<a href="#">Section 8.2.13</a>
1Eh	CDCR	TDR Run Status Register	<a href="#">Section 8.2.14</a>
1Fh	PHYRCR	Reset Control Register	<a href="#">Section 8.2.15</a>
133h	Register_133	CnS Status Register	<a href="#">Section 8.2.16</a>
17Fh	Register_17F	WUR WUP Configuration Register	<a href="#">Section 8.2.17</a>
180h	Register_180	Sleep REQ and ACK Timer Register	<a href="#">Section 8.2.18</a>
181h	Register_181	LPS Received Count Register	<a href="#">Section 8.2.19</a>
182h	Register_182	WUR Received Count Register	<a href="#">Section 8.2.20</a>
183h	LPS_CFG4	Low Power Configuration Register - 4	<a href="#">Section 8.2.21</a>
184h	LPS_CFG	Low Power Configuration Register - 0	<a href="#">Section 8.2.22</a>
185h	LPS_CFG5	Low Power Configuration Register - 5	<a href="#">Section 8.2.23</a>
187h	LPS_CFG7	Low Power Configuration Register - 7	<a href="#">Section 8.2.24</a>
188h	LPS_CFG8	Low Power Configuration Register - 8	<a href="#">Section 8.2.25</a>
189h	LPS_CFG9	Low Power Configuration Register - 9	<a href="#">Section 8.2.26</a>
18Ah	LPS_CFG10	Low Power Configuration Register - 10	<a href="#">Section 8.2.27</a>
18Bh	LPS_CFG2	Low Power Configuration Register - 2	<a href="#">Section 8.2.28</a>
18Ch	LPS_CFG3	Low Power Configuration Register - 3	<a href="#">Section 8.2.29</a>
18Eh	LPS_STATUS	Low Power Status Register	<a href="#">Section 8.2.30</a>
300h	TDR_TX_CFG	TDR TX Configuration Register	<a href="#">Section 8.2.31</a>
301h	TAP_PROCESS_CFG	Tap Process Configuration Register	<a href="#">Section 8.2.32</a>
302h	TDR_CFG1	TDR Configuration Register - 1	<a href="#">Section 8.2.33</a>
303h	TDR_CFG2	TDR Configuration Register - 2	<a href="#">Section 8.2.34</a>
304h	TDR_CFG3	TDR Configuration Register - 3	<a href="#">Section 8.2.35</a>
305h	TDR_CFG4	TDR Configuration Register - 4	<a href="#">Section 8.2.36</a>
306h	TDR_CFG5	TDR Configuration Register - 5	<a href="#">Section 8.2.37</a>
310h	TDR_TC1	TDR Status Register	<a href="#">Section 8.2.38</a>
430h	A2D_REG_48	RGMIID ID Control Register	<a href="#">Section 8.2.39</a>
442h	A2D_REG_66	ESD Event Count Register - 1	<a href="#">Section 8.2.40</a>
450h	LEDS_CFG_1	LED Configuration Register - 1	<a href="#">Section 8.2.41</a>

**Table 8-3. DP83TC813 Registers (continued)**

Offset	Acronym	Register Name	Section
451h	LEDS_CFG_2	LED Configuration Register - 2	<a href="#">Section 8.2.42</a>
452h	IO_MUX_CFG_1	IO Multiplexing Register - 1	<a href="#">Section 8.2.43</a>
453h	IO_MUX_CFG_2	IO Multiplexing Register - 2	<a href="#">Section 8.2.44</a>
456h	IO_MUX_CFG	xMII Impedance Control Register	<a href="#">Section 8.2.45</a>
45Dh	CHIP_SOR_1	Strap Status Register	<a href="#">Section 8.2.46</a>
45Fh	LED1_CLKOUT_ANA_CTRL	CLKOUT and LED_1 Control Register	<a href="#">Section 8.2.47</a>
489h	TX_INTER_CFG	Interleave Configuration Register	<a href="#">Section 8.2.48</a>
496h	JABBER_CFG	Jabber Configuration Register	<a href="#">Section 8.2.49</a>
553h	PG_REG_4	Auto-Polarity Correction Control Register	<a href="#">Section 8.2.50</a>
560h	TC1_CFG_RW	TC1 Configuration Register	<a href="#">Section 8.2.51</a>
561h	TC1_LINK_FAIL_LOSS	TC1 Link Fail Count Register	<a href="#">Section 8.2.52</a>
562h	TC1_LINK_TRAINING_TIME	TC1 Link Training Time Register	<a href="#">Section 8.2.53</a>
563h	NO_LINK_TH		<a href="#">Section 8.2.54</a>
600h	RGMII_CTRL	RGMII Control Register	<a href="#">Section 8.2.55</a>
601h	RGMII_FIFO_STATUS	RGMII FIFO Status Register	<a href="#">Section 8.2.56</a>
602h	RGMII_CLK_SHIFT_CTRL	RGMII Shift Control Register	<a href="#">Section 8.2.57</a>
608h	SGMII_CTRL_1	SGMII Control Register - 1	<a href="#">Section 8.2.58</a>
60Ah	SGMII_STATUS	SGMII Status Register	<a href="#">Section 8.2.59</a>
60Ch	SGMII_CTRL_2	SGMII Control Register - 2	<a href="#">Section 8.2.60</a>
60Dh	SGMII_FIFO_STATUS	SGMII FIFO Status Register	<a href="#">Section 8.2.61</a>
618h	PRBS_STATUS_1	PRBS Status Register - 1	<a href="#">Section 8.2.62</a>
619h	PRBS_CTRL_1	PRBS Control Register - 1	<a href="#">Section 8.2.63</a>
61Ah	PRBS_CTRL_2	PRBS Control Register - 2	<a href="#">Section 8.2.64</a>
61Bh	PRBS_CTRL_3	PRBS Control Register - 3	<a href="#">Section 8.2.65</a>
61Ch	PRBS_STATUS_2	PRBS Status Register - 2	<a href="#">Section 8.2.66</a>
61Dh	PRBS_STATUS_3	PRBS Status Register - 3	<a href="#">Section 8.2.67</a>
61Eh	PRBS_STATUS_4	PRBS Status Register - 4	<a href="#">Section 8.2.68</a>
620h	PRBS_STATUS_5	PRBS Status Register - 5	<a href="#">Section 8.2.69</a>
622h	PRBS_STATUS_6	PRBS Status Register - 6	<a href="#">Section 8.2.70</a>
623h	PRBS_STATUS_7	PRBS Status Register - 7	<a href="#">Section 8.2.71</a>
624h	PRBS_CTRL_4	PRBS Control Register - 4	<a href="#">Section 8.2.72</a>
625h	PATTERN_CTRL_1	BIST Pattern Control Register - 1	<a href="#">Section 8.2.73</a>
626h	PATTERN_CTRL_2	BIST Pattern Control Register - 2	<a href="#">Section 8.2.74</a>
627h	PATTERN_CTRL_3	BIST Pattern Control Register - 3	<a href="#">Section 8.2.75</a>
628h	PMATCH_CTRL_1	BIST Match Control Register - 1	<a href="#">Section 8.2.76</a>
629h	PMATCH_CTRL_2	BIST Match Control Register - 2	<a href="#">Section 8.2.77</a>
62Ah	PMATCH_CTRL_3	BIST Match Control Register - 3	<a href="#">Section 8.2.78</a>
639h	TX_PKT_CNT_1	xMII TX Packet Count Register - 1	<a href="#">Section 8.2.79</a>
63Ah	TX_PKT_CNT_2	xMII TX Packet Count Register - 2	<a href="#">Section 8.2.80</a>
63Bh	TX_PKT_CNT_3	xMII TX Packet Count Register - 3	<a href="#">Section 8.2.81</a>
63Ch	RX_PKT_CNT_1	xMII RX Packet Count Register - 2	<a href="#">Section 8.2.82</a>
63Dh	RX_PKT_CNT_2	xMII RX Packet Count Register - 2	<a href="#">Section 8.2.83</a>
63Eh	RX_PKT_CNT_3	xMII RX Packet Count Register - 3	<a href="#">Section 8.2.84</a>
648h	RMII_CTRL_1	RMII Control Register	<a href="#">Section 8.2.85</a>
649h	RMII_STATUS_1	RMII FIFO Status Register	<a href="#">Section 8.2.86</a>

**Table 8-3. DP83TC813 Registers (continued)**

Offset	Acronym	Register Name	Section
871h	dsp_reg_71	SQL Register	<a href="#">Section 8.2.87</a>
1000h	MMD1_PMA_CTRL_1		<a href="#">Section 8.2.88</a>
1001h	MMD1_PMA_STATUS_1		<a href="#">Section 8.2.89</a>
1007h	MMD1_PMA_STATUS_2		<a href="#">Section 8.2.90</a>
100Bh	MMD1_PMA_EXT_ABILITY_1		<a href="#">Section 8.2.91</a>
1012h	MMD1_PMA_EXT_ABILITY_2		<a href="#">Section 8.2.92</a>
1834h	MMD1_PMA_CTRL_2		<a href="#">Section 8.2.93</a>
1836h	MMD1_PMA_TEST_MODE_CTRL		<a href="#">Section 8.2.94</a>
3000h	MMD3_PCS_CTRL_1		<a href="#">Section 8.2.95</a>
3001h	MMD3_PCS_Status_1		<a href="#">Section 8.2.96</a>

Complex bit access types are encoded to fit into small table cells. [Table 8-4](#) shows the codes that are used for access types in this section.

**Table 8-4. DP83TC813 Access Type Codes**

Access Type	Code	Description
Read Type		
H	H	Set or cleared by hardware
R	R	Read
RC	R C	Read to Clear
RH	R H	Read Set or cleared by hardware
Write Type		
W	W	Write
W0S	W 0S	Write 0 to set
W1S	W 1S	Write 1 to set
WSC	W	Write
Reset or Default Value		
-n		Value after reset or the default value

### 8.2.1 BMCR Register (Offset = 0h) [Reset = 2100h]

BMCR is shown in [Table 8-5](#).

Return to the [Summary Table](#).

**Table 8-5. BMCR Register Field Descriptions**

Bit	Field	Type	Reset	Description
15	MII Reset	RH/W1S	0h	1b = Digital in reset and all MII regs (0x0 - 0xF) reset to default 0b = No reset This bit is auto-cleared
14	xMII Loopback	R/W	0h	1b = Enable MII loopback 0b = Disable MII loopback When xMII loopback mode is activated, the transmitted data presented on xMII TXD is looped back to xMII RXD internally. There is no LINK indication generated when xMII loopback is enabled.
13	Speed Select	R	1h	Speed Selection: Always 100-Mbps Speed
12	Auto-Negotiation Enable	R	0h	Auto-Negotiation: Not supported on this device
11	IEEE Power Down Enable	R/W	0h	This bit can be programmed to enter and exit IEEE power down mode This bit provide status when using INT_N as power down pin 0h = Normal mode 1h = Power down mode
10	Isolate	R/W	0h	Isolates the port from the xMII with the exception of the serial management interface 0h = Normal Mode 1h = Enable Isolate Mode
9	RESERVED	R	0h	Reserved
8	Duplex Mode	R	1h	0h = Half duplex 1h = Full duplex
7	RESERVED	R/W	0h	Reserved
6-0	RESERVED	R	0h	Reserved

## 8.2.2 BMSR Register (Offset = 1h) [Reset = 0061h]

BMSR is shown in [Table 8-6](#).

Return to the [Summary Table](#).

**Table 8-6. BMSR Register Field Descriptions**

Bit	Field	Type	Reset	Description
15	100Base-T4	R	0h	0b = PHY doesn't support 100BASE-T4
14	100Base-X Full Duplex	R	0h	0h = PHY not able to perform full duplex 100Base-X 1h = PHY able to perform full duplex 100Base-X
13	100Base-X Half Duplex	R	0h	0h = PHY not able to perform half duplex 100Base-X 1h = PHY able to perform half duplex 100Base-X
12	10 Mbps Full Duplex	R	0h	0h = PHY not able to operate at 10Mbps in full duplex 1h = PHY able to operate at 10Mbps in full duplex
11	10 Mbps Half Duplex	R	0h	0h = PHY not able to operate at 10Mbps in half duplex 1h = PHY able to operate at 10Mbps in half duplex
10-7	RESERVED	R	0h	Reserved
6	MF Preamble Suppression	R	1h	0h = PHY does not accept management frames with preamble suppressed 1h = PHY accepts management frames with preamble suppressed
5	RESERVED	R	0h	Reserved
4	RESERVED	H	0h	Reserved
3	Auto-Negotiation Ability	R	0h	0h = PHY is not able to perform Auto-Negotiation 1h = PHY is able to perform Auto-Negotiation
2	Link status	R	0h	0h = Link is down 1h = Link is up
1	Jabber detect	H	0h	0h = No jabber condition detected 1h = Jabber condition detected
0	Extended Capability	R	1h	0h = Basic register set capabilities only 1h = Extended register capabilities

### 8.2.3 PHYIDR1 Register (Offset = 2h) [Reset = 2000h]

PHYIDR1 is shown in [Table 8-7](#).

Return to the [Summary Table](#).

**Table 8-7. PHYIDR1 Register Field Descriptions**

Bit	Field	Type	Reset	Description
15-0	Organizationally Unique Identifier 1	R	2000h	Unique Identifier for the part

### 8.2.4 PHYIDR2 Register (Offset = 3h) [Reset = A271h]

PHYIDR2 is shown in [Table 8-8](#).

Return to the [Summary Table](#).

**Table 8-8. PHYIDR2 Register Field Descriptions**

Bit	Field	Type	Reset	Description
15-10	Unique Identifier 2	R	28h	Unique Identifier for the part
9-4	Model Number	R	27h	Unique Identifier for the part
3-0	Revision Number	R	1h	Unique Identifier for the part

### 8.2.5 PHYSTS Register (Offset = 10h) [Reset = 0004h]

PHYSTS is shown in [Table 8-9](#).

Return to the [Summary Table](#).

**Table 8-9. PHYSTS Register Field Descriptions**

Bit	Field	Type	Reset	Description
15	RESERVED	R	0h	Reserved
14	RESERVED	R	0h	Reserved
13	RESERVED	H	0h	Reserved
12	RESERVED	H	0h	Reserved
11	RESERVED	H	0h	Reserved
10	RESERVED	R/W0S	0h	Reserved
9	Descrambler Lock Status (Latch Low)	R/W0S	0h	0h = Descrambler is unlocked at least once 1h = Descrambler is locked
8	RESERVED	R	0h	Reserved
7	Interrupt Pin Status	H	0h	Interrupts pin status, cleared on reading 0x12 0h = Interrupt pin set 1h = Interrupt pin not set
6	RESERVED	R	0h	Reserved
5	RESERVED	R	0h	Reserved
4	RESERVED	H	0h	Reserved
3	MII Loopback Status	R	0h	0h = No MII loopback 1h = MII loopback
2	Duplex Mode Status	R	1h	0h = Half duplex 1h = Full duplex
1	RESERVED	R	0h	Reserved
0	Link Status (Latch Low) Non-Clear on Read	R	0h	Non-Clear on Read Latch Low link status Status is cleared on reading reg0x1 0h = Link is down atleast once 1h = Link is up

### 8.2.6 PHYSCR Register (Offset = 11h) [Reset = 010Bh]

PHYSCR is shown in [Table 8-10](#).

Return to the [Summary Table](#).

**Table 8-10. PHYSCR Register Field Descriptions**

Bit	Field	Type	Reset	Description
15	RESERVED	R/W	0h	Reserved
14	RESERVED	R/W	0h	Reserved
13-12	RESERVED	R/W	0h	Reserved
11	SGMII Soft Reset	R/WSC	0h	SGMII Digital Reset This bit is auto-cleared
10	MAC Isolate for PHY_ADDR 0x00	R/W	0h	MAC Isolate is enabled only if PHY address is 0x00 Reg0x0[10] works for all PHY addresses including 0x00 0h = Normal mode 1h = Isolate mode (No output from PHY to MAC)
9-8	RMII TX FIFO Depth	R/W	1h	0h = 4 nibbles 1h = 5 nibbles 2h = 6 nibbles
7	RESERVED	R/W	0h	Reserved
6-4	RESERVED	R	0h	Reserved
3	Interrupt Polarity	R/W	1h	0h = Active high 1h = Active low
2	Force Interrupt	R/W	0h	1h = Force interrupt pin
1	Interrupts Enable	R/W	1h	0h = Disable interrupts 1h = Enable interrupts
0	Interrupt Pin Configuration	R/W	1h	0h = Configure INT_N pin as power down input pin 1h = Configure INT_N pin is as interrupt output pin

### 8.2.7 MISR1 Register (Offset = 12h) [Reset = 0000h]

MISR1 is shown in [Table 8-11](#).

Return to the [Summary Table](#).

**Table 8-11. MISR1 Register Field Descriptions**

Bit	Field	Type	Reset	Description
15	RESERVED	H	0h	Reserved
14	Energy Detect Change Status	H	0h	Status is changed to 1 when there is a change of MDI Energy detection output Status is cleared on read of this register
13	Link Status Change Status	H	0h	Status is changed to 1 when there is a change of link status Status is cleared on read of this register
12	Wake on LAN Status	H	0h	Status is changed to 1 when WOL is received Status is cleared on read of this register
11	ESD Fault Detected Status	H	0h	Status is changed to 1 when ESD fault is detected Status is cleared on read of this register
10	Training Done Status	H	0h	Status is changed to 1 when training is done Status is cleared on read of this register
9	RESERVED	H	0h	Reserved
8	RX Error Counter Half Full Status	H	0h	Status is changed to 1 when RX Error Counter in 0x15 is half full Status is cleared on read of this register
7	RESERVED	R/W	0h	Reserved
6	Energy Detect Change Indication	R/W	0h	0h = Indication is disabled 1h = Enable indication on INT_N pin if corresponding Interrupt Status is set
5	Link Status Change Indication	R/W	0h	0h = Indication is disabled 1h = Enable indication on INT_N pin if corresponding Interrupt Status is set
4	Wake on LAN Indication	R/W	0h	0h = Indication is disabled 1h = Enable indication on INT_N pin if corresponding Interrupt Status is set
3	ESD Fault Detected Indication	R/W	0h	0h = Indication is disabled 1h = Enable indication on INT_N pin if corresponding Interrupt Status is set
2	Link Training Completed Indication	R/W	0h	0h = Indication is disabled 1h = Enable indication on INT_N pin if corresponding Interrupt Status is set
1	RESERVED	R/W	0h	Reserved
0	RX Error Counter Half Full Indication	R/W	0h	0h = Indication is disabled 1h = Enable indication on INT_N pin if corresponding Interrupt Status is set

### 8.2.8 MISR2 Register (Offset = 13h) [Reset = 0000h]

MISR2 is shown in [Table 8-12](#).

Return to the [Summary Table](#).

**Table 8-12. MISR2 Register Field Descriptions**

Bit	Field	Type	Reset	Description
15	Under Voltage Status	H	0h	Status is changed to 1 when Under Voltage is detected Status is cleared on read of this register
14	Over Voltage Status	H	0h	Status is changed to 1 when Over Voltage is detected Status is cleared on read of this register
13	RESERVED	H	0h	Reserved
12	RESERVED	H	0h	Reserved
11	RESERVED	H	0h	Reserved
10	Sleep Mode Status	H	0h	Status is changed to 1 when sleep mode has changed Status is cleared on read of this register
9	Data Polarity Change Status	H	0h	Status is changed to 1 when MDI lines polarity change is detected Status is cleared on read of this register
8	Jabber Detect Status	H	0h	Status is changed to 1 when jabber is detected Status is cleared on read of this register
7	Under Voltage Indication	R/W	0h	
6	Over Voltage Indication	R/W	0h	1b = Enable indication on INT_N pin if corresponding Interrupt Status is set 0b = Indication is disabled
5	RESERVED	R/W	0h	Reserved
4	RESERVED	R/W	0h	Reserved
3	RESERVED	R/W	0h	Reserved
2	RESERVED	R/W	0h	Reserved
1	Data Polarity Change Indication	R/W	0h	0h = Indication is disabled 1h = Enable indication on INT_N pin if corresponding Interrupt Status is set
0	Jabber Detect Indication	R/W	0h	0h = Indication is disabled 1h = Enable indication on INT_N pin if corresponding Interrupt Status is set

### 8.2.9 RECR Register (Offset = 15h) [Reset = 0000h]

RECR is shown in [Table 8-13](#).

Return to the [Summary Table](#).

**Table 8-13. RECR Register Field Descriptions**

Bit	Field	Type	Reset	Description
15-0	RX Error Count	RC	0h	RX_ER Counter: When a valid carrier is presented (only while RX_DV is set), and there is at least one occurrence of an invalid data symbol, this 16-bit counter increments for each receive error detected. The RX_ER counter does not count in xMII loopback mode. The counter stops when at the maximum count (0xFFFF). When the counter exceeds half-full (0x7FFF), an interrupt is generated. This register is cleared on read.

### 8.2.10 BISCR Register (Offset = 16h) [Reset = 0100h]

BISCR is shown in [Table 8-14](#).

Return to the [Summary Table](#).

**Table 8-14. BISCR Register Field Descriptions**

Bit	Field	Type	Reset	Description
15-11	RESERVED	R	0h	Reserved
10	PRBS Lock Lost Latch Status	H	0h	0h = PRBS lock never lost 1h = PRBS lock lost at least once
9	RESERVED	R	0h	Reserved
8	Core Power Mode	R	1h	0h = Core is in power down or sleep mode 1h = Core is in normal power mode
7	RESERVED	R	0h	Reserved
6	Data Transmission to MDI in xMII Loopback	R/W	0h	0h = Transmit data on MDI during xMII loopback
5-2	Loopback Mode	R/W	0h	Enable Loopbacks other than PCS loopback. 0x16[1] must be 0 1h = Digital Loopback 2h = Analog Loopback 4h = Reverse Loopback 8h = External Loopback
1	PCS Loopback Enable	R/W	0h	0h = Disable PCS Loopback 1h = Enable PCS Loopback
0	RESERVED	R/W	0h	Reserved

### 8.2.11 MISR3 Register (Offset = 18h) [Reset = 00X5h]

MISR3 is shown in [Table 8-15](#).

Return to the [Summary Table](#).

**Table 8-15. MISR3 Register Field Descriptions**

Bit	Field	Type	Reset	Description
15	RESERVED	H	0h	Reserved
14	No Link Status	H	0h	Status is changed to 1 when Link has not been observed within time programmed in 0x563 after training starts Status is cleared on read of this register
13	RESERVED	H	0h	Reserved
12	Power-On Reset Done Status	H	0h	Status is changed to 1 Power-On Reset is done after the the supplies are up Status is cleared on read of this register
11	No Frame Status	H	0h	Status is changed to 1 when No frame is detected until Status is cleared on read of this register
10	RESERVED	H	0h	Reserved
9	RESERVED	H	0h	Reserved
8	RESERVED	H	0h	Reserved
7	RESERVED	R/W	0h	Reserved
6	No Link Indication	R/W	0h	0h = Indication is disabled 1h = Enable indication on INT_N pin if corresponding Interrupt Status is set
5	RESERVED	R/W	0h	Reserved
4	Power-On Reset Done Indication	R/W	0h	0h = Indication is disabled 1h = Enable indication on INT_N pin if corresponding Interrupt Status is set
3	No Frame Indication	R/W	0h	0h = Indication is disabled 1h = Enable indication on INT_N pin if corresponding Interrupt Status is set
2	RESERVED	R/W	0h	Reserved
1	RESERVED	R/W	0h	Reserved
0	RESERVED	R/W	0h	Reserved

### 8.2.12 REG\_19 Register (Offset = 19h) [Reset = 0800h]

REG\_19 is shown in [Table 8-16](#).

Return to the [Summary Table](#).

**Table 8-16. REG\_19 Register Field Descriptions**

Bit	Field	Type	Reset	Description
15-14	RESERVED	R	0h	Reserved
13	RESERVED	R	0h	Reserved
12	RESERVED	R	0h	Reserved
11	RESERVED	R	0h	Reserved
10	RESERVED	R	0h	Reserved
9-5	RESERVED	R	0h	Reserved
4-0	PHY Address	R	0h	PHY Address latched from straps

### 8.2.13 TC10\_ABORT\_REG Register (Offset = 1Bh) [Reset = 0000h]

TC10\_ABORT\_REG is shown in [Table 8-17](#).

Return to the [Summary Table](#).

**Table 8-17. TC10\_ABORT\_REG Register Field Descriptions**

Bit	Field	Type	Reset	Description
15-2	RESERVED	R	0h	Reserved
1	Sleep Abort through GPIO	R/W	0h	Enables aborting TC10 using GPIO. One of CLKOUT/LED_1 pins which is being used as an LED can be used to abort 0h = Disable TC10 abort using GPIO 1h = Enable TC10 abort using GPIO
0	Sleep Abort	R/W	0h	loc_sleep_abprt as defined by TC10 standard. Aborts sleep negotiation while in SLEEP_ACK state 0h = Allow TC10 sleep negotiation 1h = Abort TC10 sleep negotiation

### 8.2.14 CDCR Register (Offset = 1Eh) [Reset = 0000h]

CDCR is shown in [Table 8-18](#).

Return to the [Summary Table](#).

**Table 8-18. CDCR Register Field Descriptions**

Bit	Field	Type	Reset	Description
15	TDR Start	RH/W1S	0h	Bit is cleared after TDR run is complete 1h = Start TDR
14	TDR Auto-Run Enable	R/W	0h	0h = Start TDR manually using 0x1E[15] 1h = Start TDR automatically on link down
13-2	RESERVED	R	0h	Reserved
1	TDR Done Status	R	0h	0h = TDR on-going or not initiated 1h = TDR done
0	TDR Fail Status	R	0h	When TDR Done Status is 1, this bit indicates if TDR ran successfully 0h = TDR ran successfully 1h = TDR run failed

### 8.2.15 PHYRCR Register (Offset = 1Fh) [Reset = 0000h]

PHYRCR is shown in [Table 8-19](#).

Return to the [Summary Table](#).

**Table 8-19. PHYRCR Register Field Descriptions**

Bit	Field	Type	Reset	Description
15	Hard Reset	RH/W1S	0h	Hardware Reset (Reset digital + register file) This bet is self clearing 0h = Normal Operation 1h = Resets PHY and clears registers. Does not resample the straps.
14	Soft Reset	RH/W1S	0h	0h = Normal Operation 1h = Restart PHY. Resets PHY but does not clear registers. Does not resample the straps. This bit is self cleared.
13	RESERVED	R/W	0h	Reserved
12-8	RESERVED	R/W	0h	Reserved
7	Standby Mode	R/W	0h	0h = Normal operation 1h = Standby mode enabled
6	RESERVED	R/W	0h	Reserved
5	RESERVED	R	0h	Reserved
4-0	RESERVED	R/W	0h	Reserved

### 8.2.16 Register\_133 (Offset = 133h) [Reset = 0000h]

Register\_133 is shown in [Table 8-20](#).

Return to the [Summary Table](#).

**Table 8-20. Register\_133 Field Descriptions**

Bit	Field	Type	Reset	Description
15	RESERVED	R	0h	Reserved
14	Link Up Status	R	0h	Link Up status as defined by CnS
13	PHY Control In Send Data Mode	R	0h	PHY Control In Send Data Status
12	Link Status	R	0h	Link status set by link monitor
11-8	RESERVED	R	0h	Reserved
7	RESERVED	R	0h	Reserved
6	RESERVED	R	0h	Reserved
5	RESERVED	R	0h	Reserved
4	RESERVED	R	0h	Reserved
3	RESERVED	R	0h	Reserved
2	Descrambler Lock Status	R	0h	0h = Scrambler Not Locked 1h = Scrambler Locked
1	Local Receiver Status	R	0h	0h = Local PHY received link invalid 1h = Local PHY received link valid
0	Remote Receiver Status	R	0h	0h = Remote PHY received link invalid 1h = Remote PHY received link valid

### 8.2.17 Register\_17F (Offset = 17Fh) [Reset = 4028h]

Register\_17F is shown in [Table 8-21](#).

Return to the [Summary Table](#).

**Table 8-21. Register\_17F Field Descriptions**

Bit	Field	Type	Reset	Description
15	WUR from WAKE pin	R/W	0h	Enable WUR transmission when a pulse is transmitted on WAKE pin 1b = Enable sending WUR Threshold of WAKE pulse width can be configured through 0x17F[7:0]
14	WUP Enable	R/W	1h	Enable WUP transmission after local wake 1b = WUP transmission is enabled 0b = WUP transmission is disabled This option can be effectively used when PHY powers-up in Standby mode through strap
13-8	RESERVED	R	0h	Reserved
7-0	Wake Pulse Threshold	R/W	28h	Width of WAKE pulse in microseconds required to initiate WUR during an active link

**8.2.18 Register\_180 (Offset = 180h) [Reset = 0000h]**

Register\_180 is shown in [Table 8-22](#).

Return to the [Summary Table](#).

**Table 8-22. Register\_180 Field Descriptions**

Bit	Field	Type	Reset	Description
15-5	RESERVED	R	0h	Reserved
4-3	Sleep Request Timer Configuration	R/W	0h	0h = 16ms 1h = 4ms 2h = 32ms 3h = 40ms
2	RESERVED	R	0h	Reserved
1-0	Sleep Acknowledge Timer Configuration	R/W	0h	0h = 8ms 1h = 6ms 2h = 24ms 3h = 32ms

### 8.2.19 Register\_181 (Offset = 181h) [Reset = 0000h]

Register\_181 is shown in [Table 8-23](#).

Return to the [Summary Table](#).

**Table 8-23. Register\_181 Field Descriptions**

Bit	Field	Type	Reset	Description
15-10	RESERVED	R	0h	Reserved
9-0	RX LPS Count	R	0h	Indicates number of LPS codes received

### 8.2.20 Register\_182 (Offset = 182h) [Reset = 0000h]

Register\_182 is shown in [Table 8-24](#).

Return to the [Summary Table](#).

**Table 8-24. Register\_182 Field Descriptions**

Bit	Field	Type	Reset	Description
15-10	RESERVED	R	0h	Reserved
9-0	RX WUR Count	R	0h	Indicates number of WUR codes received

### 8.2.21 LPS\_CFG4 Register (Offset = 183h) [Reset = 0000h]

LPS\_CFG4 is shown in [Table 8-25](#).

Return to the [Summary Table](#).

**Table 8-25. LPS\_CFG4 Register Field Descriptions**

Bit	Field	Type	Reset	Description
15	Send WUP in Disable Transmit State	R/W	0h	Write 1 to this bit to send WUP when PHY control is in DISABLE_TRANSMIT state
14	Force LPS Sleep Enable	R/W	0h	Force control enable for sleep from LPS SM to PHY control SM
13	Force LPS Sleep	R/W	0h	Force value for sleep from LPS SM to PHY control SM
12	Force Enable for TX LPS	R/W	0h	Force enable for TX_LPS
11	Force TX LPS	R/W	0h	Force value for TX_LPS
10	Force LPS Link Control Enable	R/W	0h	Force link control enable to LPS state machine
9	Force LPS Link Control	R/W	0h	Force link control value from LPS state machine
8	Force LPS State Machine Enable	R/W	0h	Force enable for LPS state machine
7	RESERVED	R	0h	Reserved
6-0	Force LPS State Machine Value	R/W	0h	Force value of LPS state machine

### 8.2.22 LPS\_CFG Register (Offset = 184h) [Reset = 0223h]

LPS\_CFG is shown in [Table 8-26](#).

Return to the [Summary Table](#).

**Table 8-26. LPS\_CFG Register Field Descriptions**

Bit	Field	Type	Reset	Description
15	cfg_reset_wur_cnt_rx_data	R/W	0h	When set, resets the WUR received symbol counter upon receiving data
14-13	RESERVED	R	0h	Reserved
12	cfg_reset_lps_cnt_rx_data	R/W	0h	When set, resets the LPS received symbol counter upon receiving data
11-10	RESERVED	R	0h	Reserved
9	cfg_reset_wur_cnt_tx_data	R/W	1h	When set, resets the transmitted WUR symbols count when sending data
8-7	RESERVED	R	0h	Reserved
6	cfg_reset_lps_cnt_tx_data	R/W	0h	When set, resets the transmitted LPS symbols count when sending data
5	cfg_wake_fwd_en_wup_psv_link	R/W	1h	Control to enable/disable Wake forwarding on WAKE pin when WUP is received when in PASSIVE_LINK mode 0h = Disables wake forwarding 1h = Enables wake forwarding
4	Wake Forward Force	R/W	0h	1b = Force pulse on WAKE pin Pulse Width is configurable by bits [3:2] The bit is self-cleared
3-2	Wake Forward Pulse Width	R/W	0h	Configures the pulse width on WAKE pin for wake-forwarding 00b: 50µs 01b: 500µs 10b: 2ms 11b: 20ms
1	Wake Forward Enable	R/W	1h	Enable Wake Forwarding on WAKE pin on reception of WUR Command 0h = Enable Wake forwarding 1h = Disable Wake forwarding
0	cfg_wake_fwd_en_wup	R/W	1h	If set, enables doing wake forwarding when WUP symbols are received 0h = Do not do wake forwarding on WAKE pin 1h = Do wake forwarding on WAKE pin

### 8.2.23 LPS\_CFG5 Register (Offset = 185h) [Reset = 0000h]

LPS\_CFG5 is shown in [Table 8-27](#).

Return to the [Summary Table](#).

**Table 8-27. LPS\_CFG5 Register Field Descriptions**

Bit	Field	Type	Reset	Description
15-13	WUP Timer	R/W	0h	Time for which PHY control SM stays in WAKE_TRANSMIT 0h = 1ms 1h = 0.7ms 2h = 1.3ms 3h = 0.85ms 4h = 1.5ms 5h = 2ms 6h = 2.5ms 7h = 3ms
12-4	RESERVED	R	0h	Reserved
3-2	WUR Symbol Gap	R/W	0h	Max gap allowed between two WUR symbols for acknowledgement of WUR
1-0	LPS Symbol Gap	R/W	0h	Max gap allowed between two LPS symbols for acknowledgement of LPS

### 8.2.24 LPS\_CFG7 Register (Offset = 187h) [Reset = 0000h]

LPS\_CFG7 is shown in [Table 8-28](#).

Return to the [Summary Table](#).

**Table 8-28. LPS\_CFG7 Register Field Descriptions**

Bit	Field	Type	Reset	Description
15	LPS Stop at Limit	R/W	0h	Configures the device to stop sending LPS codes once done sending the number of codes configured in 0x1879:0 0h = Continues even after reaching limit 1h = Stops after reaching limit
14-8	RESERVED	R	0h	Reserved
9-0	LPS Limit Select	R/W	0h	Indicates number of LPS symbols to be transmitted before tx_lps_done becomes true

### 8.2.25 LPS\_CFG8 Register (Offset = 188h) [Reset = 0080h]

LPS\_CFG8 is shown in [Table 8-29](#).

Return to the [Summary Table](#).

**Table 8-29. LPS\_CFG8 Register Field Descriptions**

Bit	Field	Type	Reset	Description
15-10	RESERVED	R	0h	Reserved
9-0	WUR Symbol Number	R/W	80h	Indicates number of WUR symbols to be transmitted

### 8.2.26 LPS\_CFG9 Register (Offset = 189h) [Reset = 0040h]

LPS\_CFG9 is shown in [Table 8-30](#).

Return to the [Summary Table](#).

**Table 8-30. LPS\_CFG9 Register Field Descriptions**

Bit	Field	Type	Reset	Description
15-10	RESERVED	R	0h	Reserved
9-0	LPS	R/W	40h	Indicates number of LPS symbols to be received to set lps_recv

### 8.2.27 LPS\_CFG10 Register (Offset = 18Ah) [Reset = 0040h]

LPS\_CFG10 is shown in [Table 8-31](#).

Return to the [Summary Table](#).

**Table 8-31. LPS\_CFG10 Register Field Descriptions**

Bit	Field	Type	Reset	Description
15-10	RESERVED	R	0h	Reserved
9-0	WUR Symbol Number	R/W	40h	Indicates number of WUR symbols to be received to acknowledge WUR and do wake forwarding

### 8.2.28 LPS\_CFG2 Register (Offset = 18Bh) [Reset = 1C4Bh]

LPS\_CFG2 is shown in [Table 8-32](#).

Return to the [Summary Table](#).

**Table 8-32. LPS\_CFG2 Register Field Descriptions**

Bit	Field	Type	Reset	Description
15-13	RESERVED	R	0h	Reserved
12	Stop Sleep Negotiation on Link Down	R/W	1h	1b = Stop Sleep Negotiation if link goes down during negotiation
11	Stop Sleep Negotiation on Activity	R/W	1h	1b = Stop Sleep Negotiation when activity from MAC is observed in SLEEP_ACK state
10	RESERVED	R/W	0h	Reserved
9	RESERVED	R/W	0h	Reserved
8	RESERVED	R/W	0h	Reserved
7	RESERVED	R	0h	Ignore on read
6	Autonomous Mode	R/W	1h	1b = PHY entered normal mode on power up 0b = PHY entered standby mode on power up Default value is decided by LED_1 strap This bit is cleared post link up.
5	Transition To Standby	R/W	0h	1b = Enable normal to standby transition on over temperature/over voltage/under voltage 0b = Disable normal to standby transition on over temperature/over voltage/under voltage
4	RESERVED	R/W	0h	Reserved
3	RESERVED	R/W	0h	Reserved
2	RESERVED	R/W	0h	Reserved
1	LPS Sleep Enable	R/W	1h	Enable transition to Standby mode instead of Sleep mode after successful sleep negotiation (referred to as TC10_SBY) 0h = Enter standby after negotiated LPS 1h = Enter sleep after negotiated LPS
0	RESERVED	R/W	0h	Reserved

### 8.2.29 LPS\_CFG3 Register (Offset = 18Ch) [Reset = 0000h]

LPS\_CFG3 is shown in [Table 8-33](#).

Return to the [Summary Table](#).

**Table 8-33. LPS\_CFG3 Register Field Descriptions**

Bit	Field	Type	Reset	Description
15-9	RESERVED	R	0h	Reserved
8-0	Power State Entry	RH/W1S	0h	1h = Normal command 10h = Standby command

### 8.2.30 LPS\_STATUS Register (Offset = 18Eh) [Reset = 0000h]

LPS\_STATUS is shown in [Table 8-34](#).

Return to the [Summary Table](#).

**Table 8-34. LPS\_STATUS Register Field Descriptions**

Bit	Field	Type	Reset	Description
15-7	RESERVED	R	0h	Reserved
6-0	Power State Status	R	0h	1h = Sleep 2h = Standby 4h = Normal

### 8.2.31 TDR\_TX\_CFG Register (Offset = 300h) [Reset = 2710h]

TDR\_TX\_CFG is shown in [Table 8-35](#).

Return to the [Summary Table](#).

**Table 8-35. TDR\_TX\_CFG Register Field Descriptions**

Bit	Field	Type	Reset	Description
15-0	TDR Transmit Duration	R/W	2710h	TDR transmit duration in $\mu\text{s}$ Default : 10000 $\mu\text{s}$

### 8.2.32 TAP\_PROCESS\_CFG Register (Offset = 301h) [Reset = 1703h]

TAP\_PROCESS\_CFG is shown in [Table 8-36](#).

Return to the [Summary Table](#).

**Table 8-36. TAP\_PROCESS\_CFG Register Field Descriptions**

Bit	Field	Type	Reset	Description
15-13	RESERVED	R	0h	Reserved
12-8	End Tap Index	R/W	17h	End echo coefficient index for peak detect sweep during TDR
7-5	RESERVED	R	0h	Reserved
4-0	Start Tap Index	R/W	3h	Starting echo coefficient index for peak detect sweep during TDR

### 8.2.33 TDR\_CFG1 Register (Offset = 302h) [Reset = 0045h]

TDR\_CFG1 is shown in [Table 8-37](#).

Return to the [Summary Table](#).

**Table 8-37. TDR\_CFG1 Register Field Descriptions**

Bit	Field	Type	Reset	Description
15-8	RESERVED	R	0h	Reserved
7-4	Neighboring Taps Number	R/W	4h	Number of neighboring echo coefficient taps to be considered for calculating local maximum
3-2	Post-Silence State Timer	R/W	1h	0h = 0ms 1h = 10ms 2h = 100ms 3h = 1000ms
1-0	Pre-Silence State Timer	R/W	1h	0h = 0ms 1h = 10ms 2h = 100ms 3h = 1000ms

### 8.2.34 TDR\_CFG2 Register (Offset = 303h) [Reset = 0419h]

TDR\_CFG2 is shown in [Table 8-38](#).

Return to the [Summary Table](#).

**Table 8-38. TDR\_CFG2 Register Field Descriptions**

Bit	Field	Type	Reset	Description
15-13	RESERVED	R	0h	Reserved
12-8	Tap Index Offset	R/W	4h	Tap index offset of dynamic peak equation, Start Tap Index + 1'b1
7-0	cfg_tdr_filt_init	R/W	19h	Value of peak_th at x=start_tap_index of dynamic peak threshold equation

### 8.2.35 TDR\_CFG3 Register (Offset = 304h) [Reset = 0030h]

TDR\_CFG3 is shown in [Table 8-39](#).

Return to the [Summary Table](#).

**Table 8-39. TDR\_CFG3 Register Field Descriptions**

Bit	Field	Type	Reset	Description
15-8	RESERVED	R	0h	Reserved
7-0	cfg_tdr_filt_slope	R/W	30h	Slope of dynamic peak threshold equation (0.4)

### 8.2.36 TDR\_CFG4 Register (Offset = 305h) [Reset = 0004h]

TDR\_CFG4 is shown in [Table 8-40](#).

Return to the [Summary Table](#).

**Table 8-40. TDR\_CFG4 Register Field Descriptions**

Bit	Field	Type	Reset	Description
15-10	RESERVED	R	0h	Reserved
9	RESERVED	R/W	0h	Reserved
8-7	RESERVED	R/W	0h	Reserved
6	RESERVED	R/W	0h	Reserved
5-4	hpf_gain_tdr	R/W	0h	HPF gain code during TDR
3-0	pga_gain_tdr	R/W	4h	PGA gain code during TDR

### 8.2.37 TDR\_CFG5 Register (Offset = 306h) [Reset = 000Ah]

TDR\_CFG5 is shown in [Table 8-41](#).

Return to the [Summary Table](#).

**Table 8-41. TDR\_CFG5 Register Field Descriptions**

Bit	Field	Type	Reset	Description
15-5	RESERVED	R	0h	Reserved
4	RESERVED	R/W	0h	Reserved
3-0	cfg_cable_delay_num	R/W	Ah	Configure the propagation delay per meter of the cable in nanoseconds. This is used for the fault location estimation Valid values : 4 'd0 to 4 'd11 - [4.5:0.1:5.6]ns Default : 4 'd10 (5.5 ns)

### 8.2.38 TDR\_TC1 Register (Offset = 310h) [Reset = 0000h]

TDR\_TC1 is shown in [Table 8-42](#).

Return to the [Summary Table](#).

**Table 8-42. TDR\_TC1 Register Field Descriptions**

Bit	Field	Type	Reset	Description
15-9	RESERVED	R	0h	Reserved
8	RESERVED	R	0h	Reserved
7	Fault Detect Status	R	0h	0h = No Fault detected in cable 1h = Fault detected in cable
6	Fault Type	R	0h	0h = Short to GND, supply, or between MDI pins 1h = Open. Applicable to both 1-wire and 2-wire open faults
5-0	TDR Fault Location	R	0h	Fault location in meters (Valid only if Fault Detect Status = 1)

### 8.2.39 A2D\_REG\_48 Register (Offset = 430h) [Reset = 0770h]

A2D\_REG\_48 is shown in [Table 8-43](#).

Return to the [Summary Table](#).

**Table 8-43. A2D\_REG\_48 Register Field Descriptions**

Bit	Field	Type	Reset	Description
15-13	RESERVED	R	0h	Reserved
12	RESERVED	R/W	0h	Reserved
11-8	RGMIITX Shift Delay	R/W	7h	Controls Internal Delay in RGMII mode in Steps of 312.5ps Delay = ((Bit[11:8] in decimal) + 1) × 312.5 ps
7-4	RGMII RX Shift Delay	R/W	7h	Controls Internal Delay in RGMII mode in Steps of 312.5ps Delay = ((Bit[7:4] in decimal) + 1) × 312.5 ps
3-0	RESERVED	R/W	0h	Reserved

### 8.2.40 A2D\_REG\_66 Register (Offset = 442h) [Reset = 0000h]

A2D\_REG\_66 is shown in [Table 8-44](#).

Return to the [Summary Table](#).

**Table 8-44. A2D\_REG\_66 Register Field Descriptions**

Bit	Field	Type	Reset	Description
15	RESERVED	R/W	0h	Reserved
14-9	ESD Event Count	R	0h	Field gives the number of ESD events on the copper channel
8	RESERVED	R/W	0h	Reserved
7-5	RESERVED	R/W	0h	Reserved
4	RESERVED	R/W	0h	Reserved
3-0	RESERVED	R/W	0h	Reserved

### 8.2.41 LEDS\_CFG\_1 Register (Offset = 450h) [Reset = 2610h]

LEDS\_CFG\_1 is shown in [Table 8-45](#).

Return to the [Summary Table](#).

**Table 8-45. LEDS\_CFG\_1 Register Field Descriptions**

Bit	Field	Type	Reset	Description
15	RESERVED	R	0h	Reserved
14	Disable LED Stretching	R/W	0h	0h = LED pulses are stretched according to the blink rate in 'LED Blink Rate' field 1h = LED pulses are directly connected to RX_DV(for RX activity) and TX_CTRL(for TX Activity)
13-12	LED Blink Rate	R/W	2h	Blink Rate of the LED when configured for activity 0h = 20Hz (50 ms) 1h = 10Hz (100 ms) 2h = 5Hz (200 ms) 3h = 2Hz (500 ms)
11-8	RESERVED	R/W	0h	Reserved
7-4	LED_1 Options	R/W	1h	0h = Link OK 1h = Link OK + blink on TX/RX activity 2h = Link OK + blink on TX activity 3h = Link OK + blink on RX activity 4h = Link OK + 100Base-T1 Leader 5h = Link OK + 100Base-T1 Follower 6h = TX/RX activity with stretch option 7h = Reserved 8h = Reserved 9h = Link lost (remains on until register 0x1 is read) Ah = PRBS error (toggles on error) Bh = XMII TX/RX Error with stretch option
3-0	RESERVED	R/W	0h	Reserved

### 8.2.42 LEDS\_CFG\_2 Register (Offset = 451h) [Reset = 0049h]

LEDS\_CFG\_2 is shown in [Table 8-46](#).

Return to the [Summary Table](#).

**Table 8-46. LEDS\_CFG\_2 Register Field Descriptions**

Bit	Field	Type	Reset	Description
15	clk_o_gpio_ctrl_3	R/W	0h	MSB of CLKOUT gpio control. This bit provides additional options for configuring CLKOUT If set to 1, the bit changes the effect of clk_o_gpio_ctrl bits of 0x453 Reg 0x453[2:0] controls CLKOUT as follows 0h = pwr_seq_done 1h = loc_wake_req from analog 2h = loc_wake_req to PHY control 3h = tx_lps_done 4h = tx_lps_done_64 5h = tx_lps 6h = pcs rx sm - receiving 7h = pcs tx sm - tx_enable
14	led_1_gpio_ctrl_3	R/W	0h	MSB of LED_1 gpio control. This bit provides additional options for configuring LED_1 If set to 1, the bit changes the effect of led_1_gpio_ctrl bits of 0x452 Reg 0x452[10:8] controls LED_1 as follows 0h = pwr_seq_done 1h = loc_wake_req from analog 2h = loc_wake_req to PHY control 3h = tx_lps_done 4h = tx_lps_done_64 5h = tx_lps 6h = pcs rx sm - receiving 7h = pcs tx sm - tx_enable
13	RESERVED	R/W	0h	Reserved
12-9	RESERVED	R	0h	Reserved
8	RESERVED	R/W	0h	Reserved
7	RESERVED	R/W	0h	Reserved
6	RESERVED	R/W	0h	Reserved
5	LED_1 Force Enable	R/W	0h	1h = Force 'LED_1 Force Value' on LED_1 pin
4	LED_1 Force Value	R/W	0h	When LED_1 Force Enable is set, this bit decides the output of LED_1 0h = Low 1h = High
3	LED_1 Polarity	R/W	1h	Polarity of LED_1: 0h = Active Low polarity 1h = Active High polarity Default value is decided by the strap on LED_1. If the strap is placed to supply, LED_1 polarity is 0, else LED_1 polarity is 1.
2	RESERVED	R/W	0h	Reserved
1	RESERVED	R/W	0h	Reserved
0	RESERVED	R/W	0h	Reserved

### 8.2.43 IO\_MUX\_CFG\_1 Register (Offset = 452h) [Reset = 0000h]

IO\_MUX\_CFG\_1 is shown in [Table 8-47](#).

Return to the [Summary Table](#).

**Table 8-47. IO\_MUX\_CFG\_1 Register Field Descriptions**

Bit	Field	Type	Reset	Description
15	RESERVED	R/W	0h	Reserved
14-12	led_1_clk_source	R/W	0h	In case clk_out is MUXed to LED_1 IO, this field controls clk_out source: 000b - XI clock 001b - 200M pll clock 010b - 67 MHz ADC clock (recovered) 011b - Free 200MHz clock 100b - 25M MII clock derived from 200M LD clock 101b - 25MHz clock to PLL (XI or XI/2) or POR clock 110b - Core 100 MHz clock 111b - 67 MHz DSP clock (recovered, 1/3 duty cycle)
11	led_1_clk_inv_en	R/W	0h	If led_1_gpio is configured to led_1_clk_source, Selects inversion of clock at led_1_clk_source
10-8	LED_1 Configuration	R/W	0h	Controls the output of LED_1 IO: 2h = WoL 3h = Under-Voltage indication 6h = ESD 7h = Interrupt
7	RESERVED	R/W	0h	Reserved
6-4	RESERVED	R/W	0h	Reserved
3	RESERVED	R/W	0h	Reserved
2-0	RESERVED	R/W	0h	Reserved

### 8.2.44 IO\_MUX\_CFG\_2 Register (Offset = 453h) [Reset = 0001h]

IO\_MUX\_CFG\_2 is shown in [Table 8-48](#).

Return to the [Summary Table](#).

**Table 8-48. IO\_MUX\_CFG\_2 Register Field Descriptions**

Bit	Field	Type	Reset	Description
15	Enable TX_ER on LED_1	R/W	0h	Configures LED_1 pin to TX_ER
14-9	RESERVED	R	0h	Reserved
8	RESERVED	R/W	0h	Reserved
7-4	RESERVED	R/W	0h	Reserved
3	RESERVED	R/W	0h	Reserved
2-0	CLKOUT Configuration	R/W	1h	2h = WoL 3h = Under-Voltage indication 6h = ESD 7h = Interrupt

### 8.2.45 IO\_MUX\_CFG Register (Offset = 456h) [Reset = 0000h]

IO\_MUX\_CFG is shown in [Table 8-49](#).

Return to the [Summary Table](#).

**Table 8-49. IO\_MUX\_CFG Register Field Descriptions**

Bit	Field	Type	Reset	Description
15-14	RX PUPD Value	R/W	0h	When RX pins PUPD force control is enabled, PUPD is controlled by this register 0h = No pull 1h = Pull up 2h = Pull down 3h = Reserved
13	RX PUPD Force Control	R/W	0h	Enables PUPD force control on RX MAC pins 0h = No force control 1h = enables force control
12-11	TX PUPD Value	R/W	0h	When TX pins PUPD force control is enabled, PUPD is controlled by this register 0h = No pull 1h = Pull up 2h = Pull down 3h = Reserved
10	TX PUPD Force Control	R/W	0h	Enables PUPD force control on TX MAC pins 0h = No force control 1h = Enables force control
9-6	RESERVED	R/W	0h	Reserved
5	Impedance Control - RX Pins	R/W	0h	This bit control the IO slew rate of the RX MAC interface pads in MII, RGMII, and RMII mode. Note: Impedance of driver is same regardless of value, RMII is not suitable for slow mode due to timing constraints 0h = Fast Mode (Default) 1h = Slow Mode
4-1	RESERVED	R	0h	Reserved
0	Impedance Control - TX_CLK	R/W	0h	This bit adjusts the slew rate of TX_CLK in MII mode. 0h = Fast Mode (Default) 1h = Slow Mode

### 8.2.46 CHIP\_SOR\_1 Register (Offset = 45Dh) [Reset = 0000h]

CHIP\_SOR\_1 is shown in [Table 8-50](#).

Return to the [Summary Table](#).

**Table 8-50. CHIP\_SOR\_1 Register Field Descriptions**

Bit	Field	Type	Reset	Description
15	RESERVED	R	0h	Reserved
14	RESERVED	R	0h	Reserved
13	LED_1 Strap	R	0h	LED_1 strap sampled at power up
12	RX_D3 Strap	R	0h	RX_D3 strap sampled at power up
11	RESERVED	R	0h	Reserved
10	RESERVED	R	0h	Reserved
9	RESERVED	R	0h	Reserved
8	RXD3 Strap	R	0h	RX_D3 strap sampled at reset
7	RXD2 Strap	R	0h	RX_D2 strap sampled at power up or reset
6	RXD1 Strap	R	0h	RX_D1 strap sampled at power up or reset
5	RXD0 Strap	R	0h	RX_D0 strap sampled at power up or reset
4	RXCLK Strap	R	0h	RX_CLK strap sampled at power up or reset
3-2	RXER Strap	R	0h	RX_ER strap sampled at power up or reset
1-0	RXDV Strap	R	0h	RX_DV strap sampled at power up or reset

### 8.2.47 LED1\_CLKOUT\_ANA\_CTRL Register (Offset = 45Fh) [Reset = 000Ch]

LED1\_CLKOUT\_ANA\_CTRL is shown in [Table 8-51](#).

Return to the [Summary Table](#).

**Table 8-51. LED1\_CLKOUT\_ANA\_CTRL Register Field Descriptions**

Bit	Field	Type	Reset	Description
15	RESERVED	R/W	0h	Reserved
14	RESERVED	R/W	0h	Reserved
13-5	RESERVED	R	0h	Reserved
4	RESERVED	R/W	0h	Reserved
3-2	LED_1 Mux Control	R/W	3h	0h = 25MHz XI Clock for daisy chaining 1h = TX_TCLK for test modes 3h = Signal Selected by 'CLKOUT Configuration'
1-0	CLKOUT Mux Control	R/W	0h	0h = 25MHz XI Clock for daisy chaining 1h = TX_TCLK for test modes 3h = Signal Selected by 'CLKOUT Configuration'

### 8.2.48 TX\_INTER\_CFG Register (Offset = 489h) [Reset = 0001h]

TX\_INTER\_CFG is shown in [Table 8-52](#).

Return to the [Summary Table](#).

**Table 8-52. TX\_INTER\_CFG Register Field Descriptions**

Bit	Field	Type	Reset	Description
15-3	RESERVED	R	0h	Reserved
2	Force Interleave	R/W	0h	Force interleave on TX
1	TX Interleave Enable	R/W	0h	Enable interleave on TX, if interleave detected on the RX 0h = Interleave on Tx disabled 1h = Interleave on Tx enabled if interleave detected on Rx
0	Interleave Detection Enable	R/W	1h	0h = Disable Interleave Detection 1h = Enable Interleave Detection

### 8.2.49 JABBER\_CFG Register (Offset = 496h) [Reset = 044Ch]

JABBER\_CFG is shown in [Table 8-53](#).

Return to the [Summary Table](#).

**Table 8-53. JABBER\_CFG Register Field Descriptions**

Bit	Field	Type	Reset	Description
15-11	RESERVED	R	0h	Reserved
10-0	Jabber Timeout Count	R/W	44Ch	Jabber timeout count in $\mu$ s

### 8.2.50 PG\_REG\_4 Register (Offset = 553h) [Reset = 0000h]

PG\_REG\_4 is shown in [Table 8-54](#).

Return to the [Summary Table](#).

**Table 8-54. PG\_REG\_4 Register Field Descriptions**

Bit	Field	Type	Reset	Description
15-14	RESERVED	R/W	0h	Reserved
13	Force Receive Polarity Force Enable	R/W	0h	Enable force on polarity 0h = Auto-polarity on MDI 1h = Force polarity on MDI
12	Receive Polarity Force Value	R/W	0h	Polarity force value. Only valid if bit [13] is 1. 0h = Forced Normal polarity 1h = Forced Inverted polarity
11-0	RESERVED	R/W	0h	Reserved

### 8.2.51 TC1\_CFG\_RW Register (Offset = 560h) [Reset = 07E4h]

TC1\_CFG\_RW is shown in [Table 8-55](#).

Return to the [Summary Table](#).

**Table 8-55. TC1\_CFG\_RW Register Field Descriptions**

Bit	Field	Type	Reset	Description
15-14	RESERVED	R	0h	Reserved
13	RESERVED	R/W	0h	Reserved
12-11	Link Status Metric	R/W	0h	Selects following link up signals as defined by C&S 0h = link_up_c_and_s 1h = link_monitor_status 2h = (phy_control = SEND_DATA) 3h = comm_ready from TC1 spec
10-5	Link Failure Scenario	R/W	3Fh	Each bit enables logging of link failure in the given scenario: Bit[5] - SQI greater than the value configured in the SQI Threshold register Bit[6] - RCV_JABBER_DET5 - BAD_SSD Bit[7] - LINK_FAILED Bit[8] - RX_ERROR Bit[9] - BAD_END Bit[10] - RESERVED
4-3	Comm Timer Value	R/W	0h	Selects the hysteresis timer value for TC1 comm ready 0h = 2ms 1h = 500µs 2h = 1ms 3h = 4ms
2-0	SQI Threshold	R/W	4h	SQI threshold used to increment Link Failure Count defined by TC1. Whenever SQI becomes worse than the threshold, link failure count (Register 0x0561 bit[9:0]) as defined by TC1 is incremented

### 8.2.52 TC1\_LINK\_FAIL\_LOSS Register (Offset = 561h) [Reset = 0000h]

TC1\_LINK\_FAIL\_LOSS is shown in [Table 8-56](#).

Return to the [Summary Table](#).

**Table 8-56. TC1\_LINK\_FAIL\_LOSS Register Field Descriptions**

Bit	Field	Type	Reset	Description
15-10	Link Losses	R	0h	Number of Link Losses as defined in TC1 since last power cycle
9-0	Link Failures	R	0h	Link Failures as defined in TC1 Number of Link Failures (including RX errors, Bad SSD, Bad ESD, Bad SQI) not causing a link down

### 8.2.53 TC1\_LINK\_TRAINING\_TIME Register (Offset = 562h) [Reset = 0000h]

TC1\_LINK\_TRAINING\_TIME is shown in [Table 8-57](#).

Return to the [Summary Table](#).

**Table 8-57. TC1\_LINK\_TRAINING\_TIME Register Field Descriptions**

Bit	Field	Type	Reset	Description
15	Communication Ready	R	0h	Communication ready as defined in TC1 1h = PHY is ready for communication
14-8	RESERVED	R	0h	Reserved
7-0	Link Training Time	R	0h	Link Training Time measured in milliseconds measured from soft reset

### 8.2.54 NO\_LINK\_TH Register (Offset = 563h) [Reset = 0096h]

NO\_LINK\_TH is shown in [Table 8-58](#).

Return to the [Summary Table](#).

**Table 8-58. NO\_LINK\_TH Register Field Descriptions**

Bit	Field	Type	Reset	Description
15-8	RESERVED	R	0h	Reserved
7-0	cfg_no_link_timer_th	R/W	96h	If link is not obtained within this amount of time(in milliseconds), interrupt is provided if enabled

### 8.2.55 RGMII\_CTRL Register (Offset = 600h) [Reset = 0030h]

RGMII\_CTRL is shown in [Table 8-59](#).

Return to the [Summary Table](#).

**Table 8-59. RGMII\_CTRL Register Field Descriptions**

Bit	Field	Type	Reset	Description
15-7	RESERVED	R	0h	Reserved
6-4	RGMII TX FIFO Half Full Threshold	R/W	3h	RGMII TX sync FIFO half full threshold
3	RGMII Enable	R/W	0h	0h = RGMII disable Default value is latched from straps 1h = RGMII enable
2	Invert RGMII TX Data Lines	R/W	0h	1h = Invert RGMII TXD[3:0] TX_D3 to TX_D0 TX_D2 to TX_D1 TX_D1 to TX_D2 TX_D0 to TX_D3
1	Invert RGMII RX Data Lines	R/W	0h	1h = Invert RGMII RXD[3:0] RX_D3 to RX_D0 RX_D2 to RX_D1 RX_D1 to RX_D2 RX_D0 to RX_D3
0	RESERVED	R/W	0h	Reserved

### 8.2.56 RGMII\_FIFO\_STATUS Register (Offset = 601h) [Reset = 0000h]

RGMII\_FIFO\_STATUS is shown in [Table 8-60](#).

Return to the [Summary Table](#).

**Table 8-60. RGMII\_FIFO\_STATUS Register Field Descriptions**

Bit	Field	Type	Reset	Description
15-2	RESERVED	R	0h	Reserved
1	RGMII TX FIFO Full Error	R	0h	0h = No empty fifo error This bit is only cleared on device reset 1h = RGMII TX full error has been indicated
0	RGMII TX FIFO Empty Error	R	0h	0h = No empty fifo error This bit is only cleared on device reset 1h = RGMII TX empty error has been indicated

### 8.2.57 RGMII\_CLK\_SHIFT\_CTRL Register (Offset = 602h) [Reset = 0000h]

RGMII\_CLK\_SHIFT\_CTRL is shown in [Table 8-61](#).

Return to the [Summary Table](#).

**Table 8-61. RGMII\_CLK\_SHIFT\_CTRL Register Field Descriptions**

Bit	Field	Type	Reset	Description
15-2	RESERVED	R	0h	Reserved
1	RGMII RX Shift	R/W	0h	0h = Clock and data are aligned 1h = Clock is internally delayed by value programmed in DLL RX Shift Delay in register 0x430
0	RGMII TX Shift	R/W	0h	0h = Clock and data are aligned 1h = Clock is internally delayed by value programmed in DLL TX Shift Delay in register 0x430

### 8.2.58 SGMII\_CTRL\_1 Register (Offset = 608h) [Reset = 007Bh]

SGMII\_CTRL\_1 is shown in [Table 8-62](#).

Return to the [Summary Table](#).

**Table 8-62. SGMII\_CTRL\_1 Register Field Descriptions**

Bit	Field	Type	Reset	Description
15	SGMII TX Error Disable	R/W	0h	0h = Enable SGMII TX Error indication 1h = Disable SGMII TX Error indication
14	RESERVED	R/W	0h	Reserved
13-10	RESERVED	R/W	0h	Reserved
9	SGMII Enable	R/W	0h	1b = SGMII enable 0b = SGMII disable Default value is latched from straps If both SGMII and RGMII are enabled, SGMII take precedence
8	SGMII TX Polarity Invert	R/W	0h	1b = Invert SGMII RX_D[3:2] polarity
7	SGMII TX Polarity Invert	R/W	0h	1b = Invert SGMII TX_D[1:0] polarity
6-5	RESERVED	R/W	0h	Reserved
4	RESERVED	R/W	0h	Reserved
3	RESERVED	R/W	0h	Reserved
2-1	SGMII Auto Negotiation Timer	R/W	1h	Selects duration of SGMII Auto-Negotiation timer 0h = 1.6ms 1h = 2μs 2h = 800μs 3h = 11ms
0	SGMII Auto Negotiation Enable	R/W	1h	0h = Disable SGMII Auto-Negotiation 1h = Enable SGMII Auto-Negotiation

### 8.2.59 SGMII\_STATUS Register (Offset = 60Ah) [Reset = 0000h]

SGMII\_STATUS is shown in [Table 8-63](#).

Return to the [Summary Table](#).

**Table 8-63. SGMII\_STATUS Register Field Descriptions**

Bit	Field	Type	Reset	Description
15-13	RESERVED	R	0h	Reserved
12	SGMII Page Received	R	0h	0h = No new auto neg page received 1h = A new auto neg page received
11	SGMII Link Status	R	0h	0h = SGMII link is down 1h = SGMII link is up
10	SGMII Auto Negotiation Status	R	0h	1h = SGMII autoneg completed
9	Word Boundary Align Indication	R	0h	1h = Aligned
8	Word Boundary Sync Status	R	0h	0h = sync not achieved 1h = sync achieved
7-4	Word Boundary Index	R	0h	Word boundary index selection
3-0	RESERVED	R	0h	Reserved

### 8.2.60 SGMII\_CTRL\_2 Register (Offset = 60Ch) [Reset = 0024h]

SGMII\_CTRL\_2 is shown in [Table 8-64](#).

Return to the [Summary Table](#).

**Table 8-64. SGMII\_CTRL\_2 Register Field Descriptions**

Bit	Field	Type	Reset	Description
15-9	RESERVED	R	0h	Reserved
8	SGMII CDR Lock Value	R/W	0h	SGMII CDR lock force value
7	SGMII CDR Lock Force Enable	R/W	0h	SGMII CDR lock force enable
6	SGMII Auto Negotiation Restart	RH/W1S	0h	Restart SGMII autonegotiation
5-3	SGMII TX FIFO Half Full Threshold	R/W	4h	SGMII TX sync FIFO half full threshold
2-0	SGMII RX FIFO Half Full Threshold	R/W	4h	SGMII RX sync FIFO half full threshold

### 8.2.61 SGMII\_FIFO\_STATUS Register (Offset = 60Dh) [Reset = 0000h]

SGMII\_FIFO\_STATUS is shown in [Table 8-65](#).

Return to the [Summary Table](#).

**Table 8-65. SGMII\_FIFO\_STATUS Register Field Descriptions**

Bit	Field	Type	Reset	Description
15-4	RESERVED	R	0h	Reserved
3	SGMII RX FIFO Full Error	H	0h	0h = No error indication 1h = SGMII RX fifo full error has been indicated
2	SGMII RX FIFO Empty Error	H	0h	0h = No error indication 1h = SGMII RX fifo empty error has been indicated
1	SGMII TX FIFO Full Error	H	0h	0h = No error indication 1h = SGMII TX fifo full error has been indicated
0	SGMII TX FIFO Empty Error	H	0h	0h = No error indication 1h = SGMII TX fifo empty error has been indicated

### 8.2.62 PRBS\_STATUS\_1 Register (Offset = 618h) [Reset = 0000h]

PRBS\_STATUS\_1 is shown in [Table 8-66](#).

Return to the [Summary Table](#).

**Table 8-66. PRBS\_STATUS\_1 Register Field Descriptions**

Bit	Field	Type	Reset	Description
15-8	RESERVED	R	0h	Reserved
7-0	PRBS Error Overflow Counter	R	0h	Holds number of error counter overflow that received by the PRBS checker. Value in this register is locked when write is done to register prbs_status_6 bit[0] or bit[1]. Counter stops on 0xFF. Note: when PRBS counters work in single mode, overflow counter is not active

### 8.2.63 PRBS\_CTRL\_1 Register (Offset = 619h) [Reset = 0574h]

PRBS\_CTRL\_1 is shown in [Table 8-67](#).

Return to the [Summary Table](#).

**Table 8-67. PRBS\_CTRL\_1 Register Field Descriptions**

Bit	Field	Type	Reset	Description
15-14	RESERVED	R	0h	Reserved
13	Packet Generation Configuration	R/W	0h	0h = Transmit 1518 byte packets in packet generation mode 1h = Transmit 64 byte packets in packet generation mode
12	Send Packet	RH/W1S	0h	Enables generating MAC packet with fix/incremental data with CRC (pkt_gen_en has to be set and cfg_pkt_gen_prbs has to be clear) Cleared automatically when pkt_done is set
11	RESERVED	R	0h	Reserved
10-8	PRBS Check Select	R/W	5h	000b : Checker receives from RGMII TX 001b : Checker receives from SGMII TX 010b : Checker receives from RMII RX 011b : Checker receives from MII 101b : Checker receives from Cu RX 110b : Reserved 111b : Reserved
7	RESERVED	R	0h	Reserved
6-4	PRBS Transmit Select	R/W	7h	000b : PRBS transmits to RGMII RX 001b : PRBS transmits to SGMII RX 010b : PRBS transmits to RMII RX 011b : PRBS transmits to MII RX 101b : PRBS transmits to Cu TX 110b : Reserved 111b : Reserved
3	PRBS Count Mode	R/W	0h	0h = Single mode, When one of the PRBS counters reaches max value, PRBS checker stops counting. 1h = Continuous mode, when one of the PRBS counters reaches max value, pulse is generated and counter starts counting from zero again
2	PRBS Checker Enable	R/W	1h	Enable PRBS checker (to receive data) To be enabled for counters in 0x63C, 0x63D, 0x63E to work 1h = Enable PRBS checker
1	PRBS Generation Enable	R/W	0h	If 0x619[0] is set, 0h = Transmits non-PRBS packet (PRBS checker is also disabled in this case) 1h = Transmits PRBS packet
0	PRBS or Packet Generation Enable	R/W	0h	0h = Disable packet/PRBS generator 1h = Enable packet/PRBS generator

### 8.2.64 PRBS\_CTRL\_2 Register (Offset = 61Ah) [Reset = 05DCh]

PRBS\_CTRL\_2 is shown in [Table 8-68](#).

Return to the [Summary Table](#).

**Table 8-68. PRBS\_CTRL\_2 Register Field Descriptions**

Bit	Field	Type	Reset	Description
15-0	Packet Length	R/W	5DCh	Sets packet length (in bytes) between the PRBS packets or nonPRBS packets generated

### 8.2.65 PRBS\_CTRL\_3 Register (Offset = 61Bh) [Reset = 007Dh]

PRBS\_CTRL\_3 is shown in [Table 8-69](#).

Return to the [Summary Table](#).

**Table 8-69. PRBS\_CTRL\_3 Register Field Descriptions**

Bit	Field	Type	Reset	Description
15-8	RESERVED	R	0h	Reserved
7-0	PRBS IPG	R/W	7Dh	Sets IPG (in bytes) between the PRBS packets or non-PRBS packets generated

### 8.2.66 PRBS\_STATUS\_2 Register (Offset = 61Ch) [Reset = 0000h]

PRBS\_STATUS\_2 is shown in [Table 8-70](#).

Return to the [Summary Table](#).

**Table 8-70. PRBS\_STATUS\_2 Register Field Descriptions**

Bit	Field	Type	Reset	Description
15-0	PRBS Checker Byte Count	R	0h	Holds number of total bytes that received by the PRBS checker. Value in register is locked when 0x620[0] or 0x620[1] are written. When PRBS Count Mode set to zero, count stops on 0xFFFF. This counter is cleared if this counter is read after programming 0x620[1]=1.

**8.2.67 PRBS\_STATUS\_3 Register (Offset = 61Dh) [Reset = 0000h]**

PRBS\_STATUS\_3 is shown in [Table 8-71](#).

Return to the [Summary Table](#).

**Table 8-71. PRBS\_STATUS\_3 Register Field Descriptions**

Bit	Field	Type	Reset	Description
15-0	PRBS Checker Packet Count-1	R	0h	Holds Bits [15:0] of number of total packets received by the PRBS checker Value in register is locked when 0x620[0] or 0x620[1] are written When PRBS Count Mode set to zero, count stops on 0xFFFFFFFF This counter is cleared if 0x61D,0x61E are read in the same order after programming 0x620[1]=1

### 8.2.68 PRBS\_STATUS\_4 Register (Offset = 61Eh) [Reset = 0000h]

PRBS\_STATUS\_4 is shown in [Table 8-72](#).

Return to the [Summary Table](#).

**Table 8-72. PRBS\_STATUS\_4 Register Field Descriptions**

Bit	Field	Type	Reset	Description
15-0	PRBS Checker Packet Count-2	R	0h	Holds Bits [31:16] of number of total packets received by the PRBS checker Value in register is locked when 0x620[0] or 0x620[1] are written When PRBS Count Mode set to zero, count stops on 0xFFFFFFFF This counter is cleared if 0x61D,0x61E are read in the same order after programming 0x620[1]=1

### 8.2.69 PRBS\_STATUS\_5 Register (Offset = 620h) [Reset = 0000h]

PRBS\_STATUS\_5 is shown in [Table 8-73](#).

Return to the [Summary Table](#).

**Table 8-73. PRBS\_STATUS\_5 Register Field Descriptions**

Bit	Field	Type	Reset	Description
15-13	RESERVED	R	0h	Reserved
12	MAC Packet Gen Done	R	0h	Set when all MAC packets with CRC are transmitted 0h = MAC packet transmission in progress 1h = MAC packets transmission completed
11	MAC Packet Gen Busy	R	0h	0h = Packet generator is not in process 1h = Packet generator is in process
10	PRBS Checker Packet Count Overflow Status	R	0h	If PRBS Checker Packet Count overflows, this status bit is set to 1 This overflow status is cleared after clearing PRBS byte counter using 0x620[1]
9	PRBS Checker Byte Count Overflow Status	R	0h	If PRBS Checker Byte Count overflows, this status bit is set to 1 This overflow status is cleared after clearing PRBS byte counter using 0x620[1]
8	PRBS Lock	R	0h	1h = PRBS checker is locked and synced with the received stream
7-0	PRBS Error Count	R	0h	Writing 1 to bit 0 locks all PRBS counters Writing 1 to bit1 locks all PRBS counters and clears the counters on read of those specific registers Bits [1:0] are self-cleared after write Reading Bits[7:0] after writing bit0/bit1, gives the number of error bits received by PRBS checker When PRBS Count Mode set to zero, count stops on 0xFF

### 8.2.70 PRBS\_STATUS\_6 Register (Offset = 622h) [Reset = 0000h]

PRBS\_STATUS\_6 is shown in [Table 8-74](#).

Return to the [Summary Table](#).

**Table 8-74. PRBS\_STATUS\_6 Register Field Descriptions**

Bit	Field	Type	Reset	Description
15-0	PRBS Packer Error Count-1	R	0h	Holds Bits [15:0] of number of total packets received with error by the PRBS checker Value in register is locked when 0x620[0] or 0x620[1] are written When PRBS Count Mode set to zero, count stops on 0xFFFFFFFF This counter is cleared if 0x622,0x623 are read in the same order after programming 0x620[1]=1

### 8.2.71 PRBS\_STATUS\_7 Register (Offset = 623h) [Reset = 0000h]

PRBS\_STATUS\_7 is shown in [Table 8-75](#).

Return to the [Summary Table](#).

**Table 8-75. PRBS\_STATUS\_7 Register Field Descriptions**

Bit	Field	Type	Reset	Description
15-0	PRBS Packer Error Count-2	R	0h	Holds Bits [31:16] of number of total packets received with error by the PRBS checker Value in register is locked when 0x620[0] or 0x620[1] are written When PRBS Count Mode set to zero, count stops on 0xFFFFFFFF This counter is cleared if 0x622,0x623 are read in the same order after programming 0x620[1]=1

### 8.2.72 PRBS\_CTRL\_4 Register (Offset = 624h) [Reset = 5511h]

PRBS\_CTRL\_4 is shown in [Table 8-76](#).

Return to the [Summary Table](#).

**Table 8-76. PRBS\_CTRL\_4 Register Field Descriptions**

Bit	Field	Type	Reset	Description
15-8	MAC Packet Data	R/W	55h	Fixed data to be sent when MAC Packet Mode is set to Fixed mode
7-6	MAC Packet Mode	R/W	0h	0h = Incremental 1h = Fixed 2h = PRBS 3h = PRBS
5-3	Pattern Length in MAC Packets	R/W	2h	Number of bytes of valid pattern in packet (Max - 6)
2-0	Packet Count for MAC Packets Mode	R/W	1h	0h = 1 packet 1h = 10 packets 2h = 100 packets 3h = 1000 packets 4h = 10000 packets 5h = 100000 packets 6h = 1000000 packets 7h = Continuous packets

### 8.2.73 PATTERN\_CTRL\_1 Register (Offset = 625h) [Reset = 0000h]

PATTERN\_CTRL\_1 is shown in [Table 8-77](#).

Return to the [Summary Table](#).

**Table 8-77. PATTERN\_CTRL\_1 Register Field Descriptions**

Bit	Field	Type	Reset	Description
15-0	Pattern in MAC Packets [15:0]	R/W	0h	Bytes 0,1 of programmable pattern in MAC packets

### 8.2.74 PATTERN\_CTRL\_2 Register (Offset = 626h) [Reset = 0000h]

PATTERN\_CTRL\_2 is shown in [Table 8-78](#).

Return to the [Summary Table](#).

**Table 8-78. PATTERN\_CTRL\_2 Register Field Descriptions**

Bit	Field	Type	Reset	Description
15-0	Pattern in MAC Packets [31:16]	R/W	0h	Bytes 2,3 of programmable pattern in MAC packets

### 8.2.75 PATTERN\_CTRL\_3 Register (Offset = 627h) [Reset = 0000h]

PATTERN\_CTRL\_3 is shown in [Table 8-79](#).

Return to the [Summary Table](#).

**Table 8-79. PATTERN\_CTRL\_3 Register Field Descriptions**

Bit	Field	Type	Reset	Description
15-0	Pattern in MAC Packets [47:32]	R/W	0h	Bytes 4,5 of programmable pattern in MAC packets

### 8.2.76 PMATCH\_CTRL\_1 Register (Offset = 628h) [Reset = 0000h]

PMATCH\_CTRL\_1 is shown in [Table 8-80](#).

Return to the [Summary Table](#).

**Table 8-80. PMATCH\_CTRL\_1 Register Field Descriptions**

Bit	Field	Type	Reset	Description
15-0	Destination Address in MAC Packets [15:0]	R/W	0h	Destination Address field in the generated MAC packets

**8.2.77 PMATCH\_CTRL\_2 Register (Offset = 629h) [Reset = 0000h]**

PMATCH\_CTRL\_2 is shown in [Table 8-81](#).

Return to the [Summary Table](#).

**Table 8-81. PMATCH\_CTRL\_2 Register Field Descriptions**

Bit	Field	Type	Reset	Description
15-0	Destination Address in MAC Packets [31:16]	R/W	0h	Destination Address field in the generated MAC packets

### 8.2.78 PMATCH\_CTRL\_3 Register (Offset = 62Ah) [Reset = 0000h]

PMATCH\_CTRL\_3 is shown in [Table 8-82](#).

Return to the [Summary Table](#).

**Table 8-82. PMATCH\_CTRL\_3 Register Field Descriptions**

Bit	Field	Type	Reset	Description
15-0	Destination Address in MAC Packets [47:32]	R/W	0h	Destination Address field in the generated MAC packets

### 8.2.79 TX\_PKT\_CNT\_1 Register (Offset = 639h) [Reset = 0000h]

TX\_PKT\_CNT\_1 is shown in [Table 8-83](#).

Return to the [Summary Table](#).

**Table 8-83. TX\_PKT\_CNT\_1 Register Field Descriptions**

Bit	Field	Type	Reset	Description
15-0	TX Packet Count [15:0]	RC	0h	Lower 16 bits of TX packets from MAC counter Note : Register is cleared when 0x639, 0x63A, 0x63B are read in sequence

### 8.2.80 TX\_PKT\_CNT\_2 Register (Offset = 63Ah) [Reset = 0000h]

TX\_PKT\_CNT\_2 is shown in [Table 8-84](#).

Return to the [Summary Table](#).

**Table 8-84. TX\_PKT\_CNT\_2 Register Field Descriptions**

Bit	Field	Type	Reset	Description
15-0	TX Packet Count [31:16]	RC	0h	Upper 16 bits of TX packets from MAC counter Note : Register is cleared when 0x639, 0x63A, 0x63B are read in sequence

### 8.2.81 TX\_PKT\_CNT\_3 Register (Offset = 63Bh) [Reset = 0000h]

TX\_PKT\_CNT\_3 is shown in [Table 8-85](#).

Return to the [Summary Table](#).

**Table 8-85. TX\_PKT\_CNT\_3 Register Field Descriptions**

Bit	Field	Type	Reset	Description
15-0	TX Error Packet Count	RC	0h	TX packets from MAC with CRC error counter Note : Register is cleared when 0x639, 0x63A, 0x63B are read in sequence

### 8.2.82 RX\_PKT\_CNT\_1 Register (Offset = 63Ch) [Reset = 0000h]

RX\_PKT\_CNT\_1 is shown in [Table 8-86](#).

Return to the [Summary Table](#).

**Table 8-86. RX\_PKT\_CNT\_1 Register Field Descriptions**

Bit	Field	Type	Reset	Description
15-0	RX Packet Count [15:0]	RC	0h	Lower 16 bits of RX packets received from MDI Note : Register is cleared when 0x63C, 0x63D, 0x63E are read in sequence

**8.2.83 RX\_PKT\_CNT\_2 Register (Offset = 63Dh) [Reset = 0000h]**

RX\_PKT\_CNT\_2 is shown in [Table 8-87](#).

Return to the [Summary Table](#).

**Table 8-87. RX\_PKT\_CNT\_2 Register Field Descriptions**

Bit	Field	Type	Reset	Description
15-0	RX Packet Count [31:16]	RC	0h	Upper 16 bits of RX packets received from MDI Note : Register is cleared when 0x63C, 0x63D, 0x63E are read in sequence

### 8.2.84 RX\_PKT\_CNT\_3 Register (Offset = 63Eh) [Reset = 0000h]

RX\_PKT\_CNT\_3 is shown in [Table 8-88](#).

Return to the [Summary Table](#).

**Table 8-88. RX\_PKT\_CNT\_3 Register Field Descriptions**

Bit	Field	Type	Reset	Description
15-0	RX Error Packet Count	RC	0h	Rx packet with error (CRC error) counter Note : Register is cleared when 0x63C, 0x63D, 0x63E are read in sequence

### 8.2.85 RMII\_CTRL\_1 Register (Offset = 648h) [Reset = 0120h]

RMII\_CTRL\_1 is shown in [Table 8-89](#).

Return to the [Summary Table](#).

**Table 8-89. RMII\_CTRL\_1 Register Field Descriptions**

Bit	Field	Type	Reset	Description
15-11	RESERVED	R	0h	Reserved
10	RMII TXD Delay Disable	R/W	0h	If set, disables delay of TXD in RMII mode
9-7	RMII Half Full Threshold	R/W	2h	FIFO Half Full Threshold in nibbles for the RMII Rx FIFO
6	RMII Enable	R/W	0h	1h = RMII Enable
5	RESERVED	R/W	0h	Reserved
4	RMII Follower Enable	R/W	0h	Not recommended to configure this bit. Can be used as a status bit 1h = RMII Follower mode is enabled
3	RESERVED	R/W	0h	Reserved
2	RESERVED	R/W	0h	Reserved
1	RMII Rev1.0 Enable	R/W	0h	1h = Enable RMII rev1.0
0	RMII Enhanced Mode Enable	R/W	0h	1h = Enable RMII Enhanced mode

### 8.2.86 RMII\_STATUS\_1 Register (Offset = 649h) [Reset = 0000h]

RMII\_STATUS\_1 is shown in [Table 8-90](#).

Return to the [Summary Table](#).

**Table 8-90. RMII\_STATUS\_1 Register Field Descriptions**

Bit	Field	Type	Reset	Description
15-2	RESERVED	R	0h	Reserved
1	RMII FIFO Empty Error	R	0h	Clear on read bit RMII FIFO underflow error status
0	RMII FIFO Full Error	R	0h	Clear on Read bit RMII FIFO overflow status

### 8.2.87 dsp\_reg\_71 Register (Offset = 871h) [Reset = 0000h]

dsp\_reg\_71 is shown in [Table 8-91](#).

Return to the [Summary Table](#).

**Table 8-91. dsp\_reg\_71 Register Field Descriptions**

Bit	Field	Type	Reset	Description
15-8	RESERVED	R	0h	Reserved
7-5	Worst SQI	RC	0h	Worst SQI value since last read
4	RESERVED	R	0h	Reserved
3-1	SQI Value	R	0h	SQI value
0	RESERVED	R	0h	Reserved

### 8.2.88 MMD1\_PMA\_CTRL\_1 Register (Offset = 1000h) [Reset = 0000h]

MMD1\_PMA\_CTRL\_1 is shown in [Table 8-92](#).

Return to the [Summary Table](#).

**Table 8-92. MMD1\_PMA\_CTRL\_1 Register Field Descriptions**

Bit	Field	Type	Reset	Description
15	PMA Reset	R/W	0h	1h = PMA reset
14-1	RESERVED	R	0h	Reserved
0	PMA Loopback	R/W	0h	1h = PMA loopback set

### 8.2.89 MMD1\_PMA\_STATUS\_1 Register (Offset = 1001h) [Reset = 0000h]

MMD1\_PMA\_STATUS\_1 is shown in [Table 8-93](#).

Return to the [Summary Table](#).

**Table 8-93. MMD1\_PMA\_STATUS\_1 Register Field Descriptions**

Bit	Field	Type	Reset	Description
15-3	RESERVED	R	0h	Reserved
2	Link Status	R	0h	1h = Link is up
1-0	RESERVED	R	0h	Reserved

### 8.2.90 MMD1\_PMA\_STATUS\_2 Register (Offset = 1007h) [Reset = 003Dh]

MMD1\_PMA\_STATUS\_2 is shown in [Table 8-94](#).

Return to the [Summary Table](#).

**Table 8-94. MMD1\_PMA\_STATUS\_2 Register Field Descriptions**

Bit	Field	Type	Reset	Description
15-6	RESERVED	R	0h	Reserved
5-0	PMA PMD Type Selection	R	3Dh	PMA or PMD type selection field 111101b = 100BASE-T1 PMA or PMD

### 8.2.91 MMD1\_PMA\_EXT\_ABILITY\_1 Register (Offset = 100Bh) [Reset = 0800h]

MMD1\_PMA\_EXT\_ABILITY\_1 is shown in [Table 8-95](#).

Return to the [Summary Table](#).

**Table 8-95. MMD1\_PMA\_EXT\_ABILITY\_1 Register Field Descriptions**

Bit	Field	Type	Reset	Description
15-12	RESERVED	R	0h	Reserved
11	Extended Abilities	R	1h	0h = PMA/PMD does not have extended abilities 1h = PMA/PMD has BASE-T1 extended abilities
10-0	RESERVED	R	0h	Reserved

### 8.2.92 MMD1\_PMA\_EXT\_ABILITY\_2 Register (Offset = 1012h) [Reset = 0001h]

MMD1\_PMA\_EXT\_ABILITY\_2 is shown in [Table 8-96](#).

Return to the [Summary Table](#).

**Table 8-96. MMD1\_PMA\_EXT\_ABILITY\_2 Register Field Descriptions**

Bit	Field	Type	Reset	Description
15-1	RESERVED	R	0h	Reserved
0	100BASE-T1 Ability	R	1h	0h = PMA/PMD does not support 100BASE-T1 1h = PMA/PMD supports 100BASE-T1

**8.2.93 MMD1\_PMA\_CTRL\_2 Register (Offset = 1834h) [Reset = 8000h]**

MMD1\_PMA\_CTRL\_2 is shown in [Table 8-97](#).

Return to the [Summary Table](#).

**Table 8-97. MMD1\_PMA\_CTRL\_2 Register Field Descriptions**

Bit	Field	Type	Reset	Description
15	RESERVED	R	0h	Reserved
14	Leader Follower Configuration	R/W	0h	0h = Configure PHY as follower 1h = Configure PHY as leader
13-4	RESERVED	R	0h	Reserved
3-0	Type Selection	R	0h	Type selection field 0h = 100BASE-T1

### 8.2.94 MMD1\_PMA\_TEST\_MODE\_CTRL Register (Offset = 1836h) [Reset = 0000h]

MMD1\_PMA\_TEST\_MODE\_CTRL is shown in [Table 8-98](#).

Return to the [Summary Table](#).

**Table 8-98. MMD1\_PMA\_TEST\_MODE\_CTRL Register Field Descriptions**

Bit	Field	Type	Reset	Description
15-13	Compliance Test Mode	R/W	0h	100BASE-T1 test mode control 000b = Normal mode operation 001b = Test mode 1 010b = Test mode 2 011b = Reserved 100b = Test mode 4 101b = Test mode 5 110b = Reserved 111b = Reserved
12-0	RESERVED	R/W	0h	Reserved

### 8.2.95 MMD3\_PCS\_CTRL\_1 Register (Offset = 3000h) [Reset = 0000h]

MMD3\_PCS\_CTRL\_1 is shown in [Table 8-99](#).

Return to the [Summary Table](#).

**Table 8-99. MMD3\_PCS\_CTRL\_1 Register Field Descriptions**

Bit	Field	Type	Reset	Description
15	PCS Reset	R/W	0h	Reset bit, Self Clear. When write to this bit 1: 1. Reset the registers (not vendor specific) at MMD3/MMD7. 2. Reset brk_top Please note: This register is WSC (write-self-clear) and not read-only
14	PCS Loopback	R/W	0h	This bit is cleared by PCS Reset
13-11	RESERVED	R	0h	Reserved
10	RX Clock Stoppable	R/W	0h	RW, reset value = 1. 1= PHY can stop receiving clock during LPI 0= Clock not stoppable Note: This flop implemented at glue logic
9-0	RESERVED	R	0h	Reserved

### 8.2.96 MMD3\_PCS\_Status\_1 Register (Offset = 3001h) [Reset = 0000h]

MMD3\_PCS\_Status\_1 is shown in [Table 8-100](#).

Return to the [Summary Table](#).

**Table 8-100. MMD3\_PCS\_Status\_1 Register Field Descriptions**

Bit	Field	Type	Reset	Description
15-12	RESERVED	R	0h	Reserved
11	TX LPI Received	R	0h	0h = LPI not received 1h = Tx PCS has received LPI
10	RX LPI Received	R	0h	0h = LPI not received 1h = Rx PCS has received LPI
9	TX LPI Indication	R	0h	0h = PCS is not currently receiving LPI 1h = TX PCS is currently receiving LPI
8	RX LPI Indication	R	0h	0h = PCS is not currently receiving LPI 1h = RX PCS is currently receiving LPI
7	RESERVED	R	0h	Reserved
6	TX Clock Stoppable	R	0h	0h = Clock not stoppable 1h = The MAC can stop the clock during LPI
5-0	RESERVED	R	0h	Reserved

## 9 Application and Implementation

### Note

Information in the following applications sections is not part of the TI component specification, and TI does not warrant its accuracy or completeness. TI's customers are responsible for determining suitability of components for their purposes, as well as validating and testing their design implementation to confirm system functionality.

### 9.1 Application Information

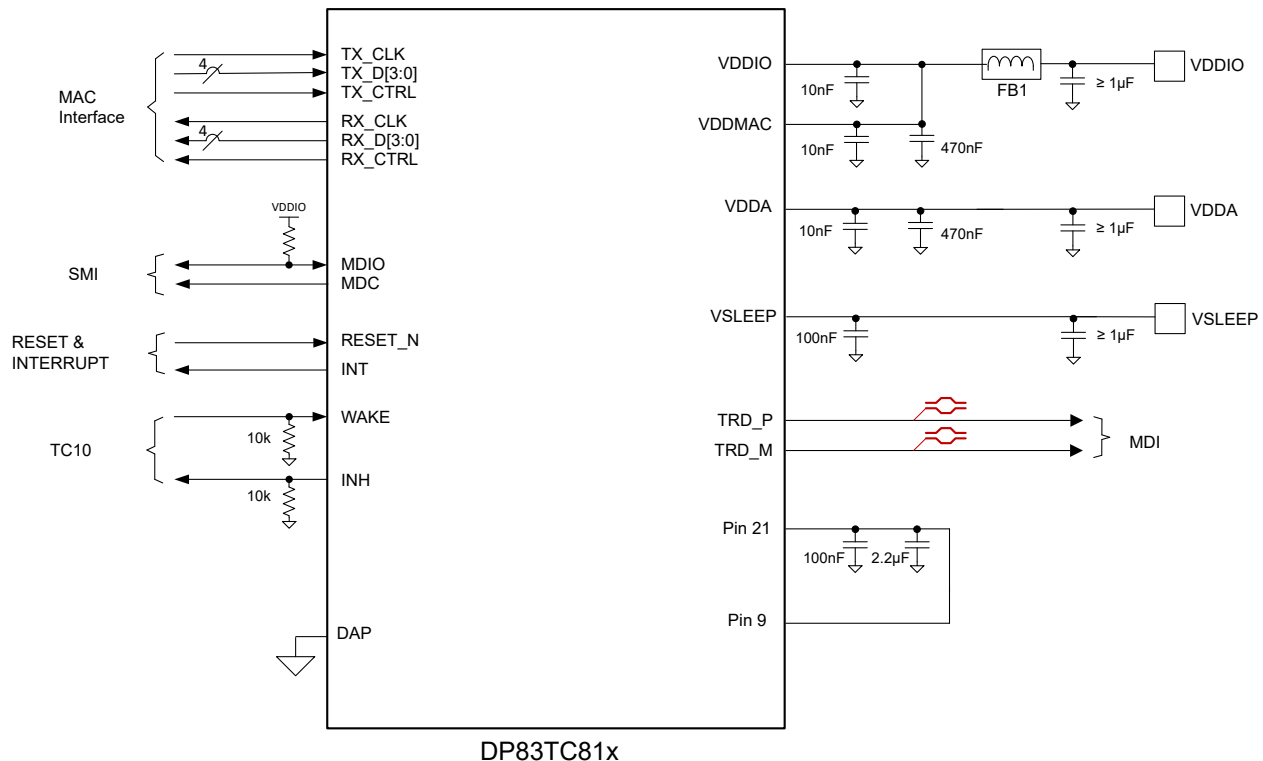
The DP83TC813 is a single-port 100Mbps Automotive Ethernet PHY. It supports IEEE 802.3bw and allows for connections to an Ethernet MAC through MII, RMII, RGMII, or SGMII. When using the device for Ethernet applications, it is necessary to meet certain requirements for normal operation. The following subsections are intended to assist in appropriate component selection and required connections.

### Note

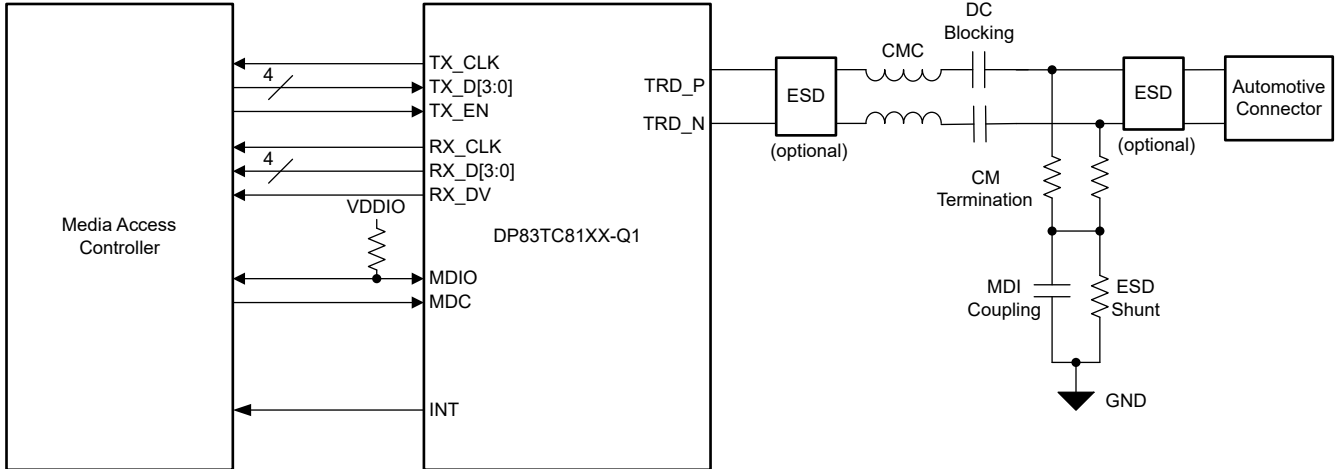
Refer to SNLA389 Application Note for more information about the register settings used for compliance testing. It is necessary to use these register settings to achieve the same performance as observed during compliance testing.

### 9.2 Typical Applications

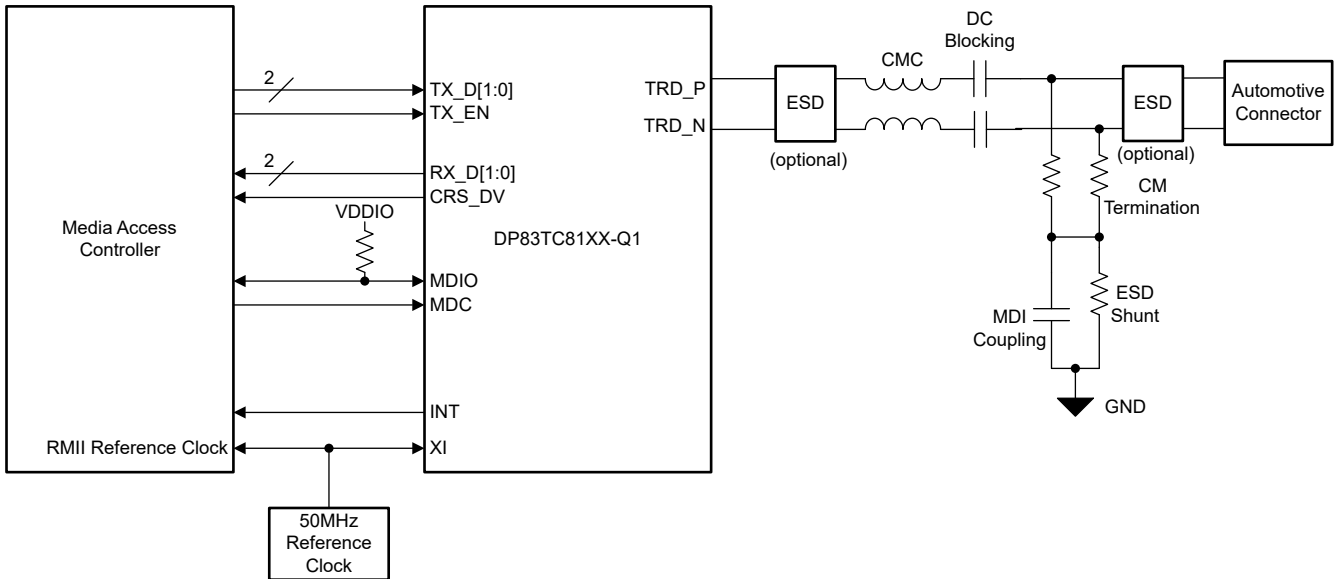
Figure 9-2 through show some the typical applications for the DP83TC813x-Q1.



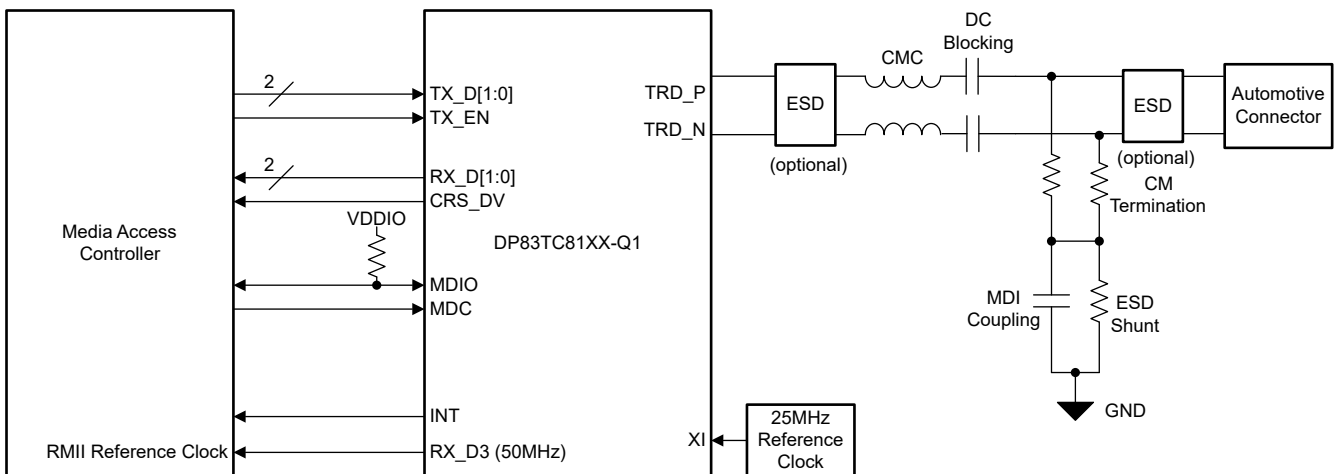
**Figure 9-1. Typical Application (General)**



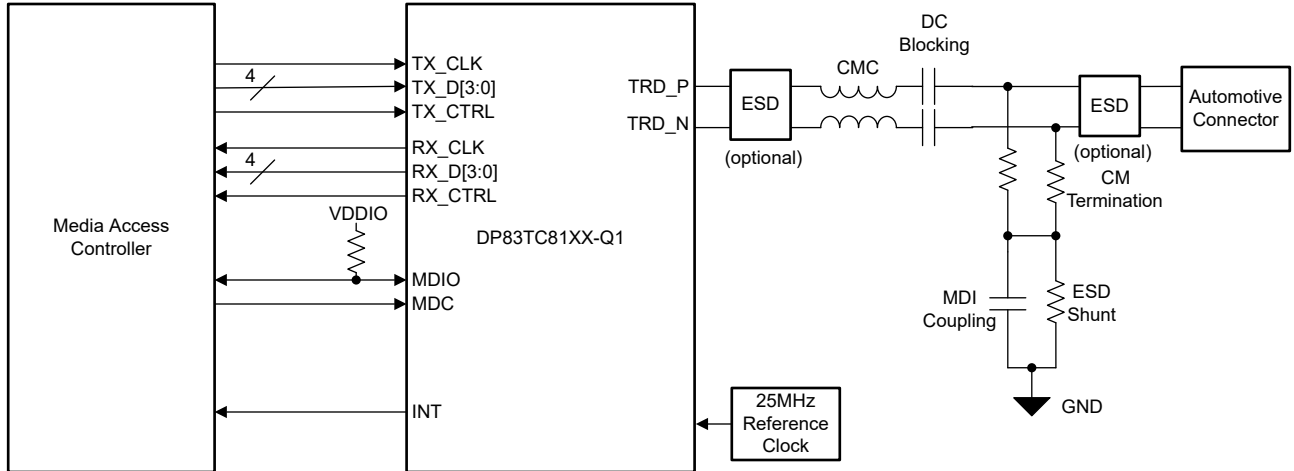
**Figure 9-2. Typical Application (MII)**



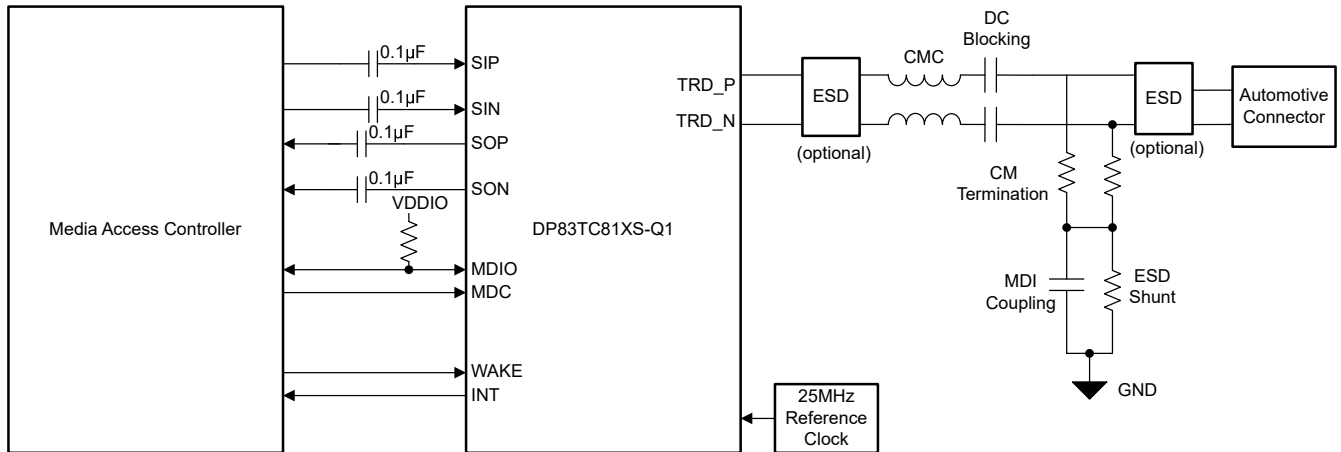
**Figure 9-3. Typical Application (RMII Follower)**



**Figure 9-4. Typical Application (RMII Leader)**



**Figure 9-5. Typical Application (RGMII)**



**Figure 9-6. Typical Application (SGMII)**

### 9.2.1 Design Requirements

For these typical applications, use the following as design parameters from the table below. Refer to [Section 9.3](#) for detailed connection diagram.

**Table 9-1. Design Parameters**

DESIGN PARAMETER	EXAMPLE VALUE
$V_{DDIO}$	1.8V, 2.5V, or 3.3V
$V_{DDMAC}$	1.8V, 2.5V, or 3.3V
$V_{DDA}$	3.3V
$V_{SLEEP}$	3.3V
Decoupling capacitors $V_{DDIO}$ <sup>(1)</sup> <sup>(2)</sup>	0.01 $\mu$ F
<b>(Optional)</b> ferrite bead for $V_{DDIO}$ <sup>(2)</sup>	1k $\Omega$ at 100MHz (BLM18KG601SH1D)
Decoupling capacitors $V_{DDMAC}$ <sup>(1)</sup>	0.01 $\mu$ F, 0.47 $\mu$ F
Ferrite bead for $V_{DDMAC}$	1k $\Omega$ at 100MHz (BLM18KG601SH1D)
Decoupling capacitors $V_{DDA}$ <sup>(1)</sup>	0.01 $\mu$ F, 0.47 $\mu$ F
<b>(Optional)</b> ferrite bead for $V_{DDA}$	1k $\Omega$ at 100MHz (BLM18KG601SH1D)
Decoupling capacitors $V_{SLEEP}$	0.1 $\mu$ F
DC Blocking Capacitors <sup>(1)</sup>	0.1 $\mu$ F
Common-Mode Choke	200 $\mu$ H
Common Mode Termination Resistors <sup>(3)</sup>	1k $\Omega$
MDI Coupling Capacitor <sup>(1)</sup>	4.7nF
ESD Shunt <sup>(1)</sup>	100k $\Omega$
Reference Clock	25MHz

- (1) 10% tolerance components are recommended.  
 (2) If VDDIO is separate from VDDMAC then additional ferrite bead and 0.47 $\mu$ F capacitor is required on VDDIO.  
 (3) 1% tolerance components are recommended.

#### 9.2.1.1 Physical Medium Attachment

There must be no metal running beneath the common-mode choke. CMCs can inject noise into metal beneath them, which can affect the emissions and immunity performance of the system. Because the is a voltage mode line driver, no external termination resistors are required. The ESD shunt and MDI coupling capacitor must be connected to ground. Verify that the common mode termination resistors are 1% tolerance or better to improve differential coupling.

##### 9.2.1.1.1 Common-Mode Choke Recommendations

The following CMCs are recommended for use with the DP83TC813S-Q1 :

**Table 9-2. Recommended CMCs**

MANUFACTURER	PART NUMBER
Pulse Electronics	AE2002
Murata	DLW43MH201XK2L
Murata	DLW32MH201XK2
TDK	ACT1210L-201

**Table 9-3. CMC Electrical Specifications**

PARAMETER	TYP	UNITS	CONDITIONS
Insertion Loss	-0.5	dB	1 – 30MHz
	-1.0	dB	30 – 60MHz

**Table 9-3. CMC Electrical Specifications (continued)**

PARAMETER	TYP	UNITS	CONDITIONS
Return Loss	-26	dB	1 – 30MHz
	-20	dB	30 – 60MHz
Common-Mode Rejection	-24	dB	1MHz
	-42	dB	10 – 100MHz
	-25	dB	400MHz
Differential Common-Mode Rejection	-70	dB	1 – 10MHz
	-50	dB	100MHz
	-24	dB	1000MHz

### 9.2.2 Detailed Design Procedure

When creating a new system design with an Ethernet PHY, follow this schematic capture procedure:

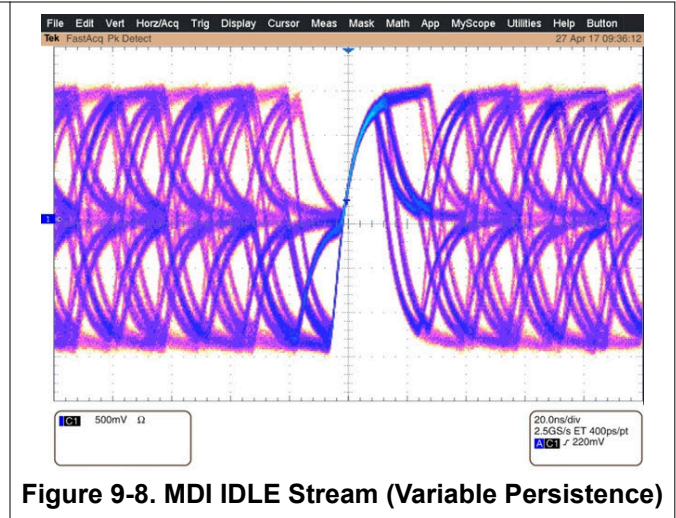
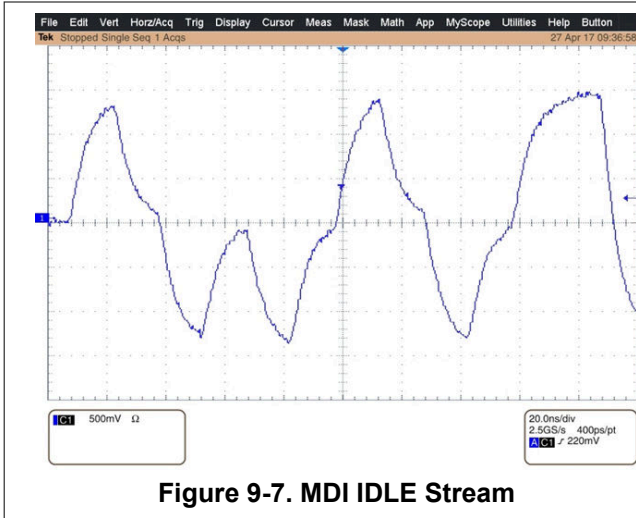
1. Use the 'Strap Tool' tab from the [Schematic Checklist](#) to select the correct external bootstrap resistors.
2. Select desired PHY hardware configurations described in [Section 7.5.1](#).
3. Go through and use the 'Pinwise Checklist' tab [Schematic Checklist](#) as a guide for your schematic design.
4. Use [DP83TC812](#), [DP83TC813](#), and [DP83TC814: Configuring for Open Alliance Specification Compliance](#) as a guide for selecting components for the MDI circuit connected to the TRD\_M and TRD\_P pins.

The following layout procedure must be followed:

1. Locate the PHY near the edge of the board so that short MDI traces can be routed to the desired connector.
2. Place the MDI external components: CMC, DC-blocking capacitors, CM termination, MDI-coupling capacitor, and ESD shunt.
3. Create metal pour keepout under the CMC on the top layer and at least one layer beneath the top later.
4. The MDI TRD\_M and TRD\_P traces are routed with 100Ω differential.
5. Place the clock source near the XI and XO pins.
6. In MII, RMII, or RGMII mode, the xMII pins are routed 50Ω and are single-ended with reference to ground.
7. The transmit path xMII pins are routed such that setup and hold timing does not violate the PHY requirements.
8. The receive path xMII pins are routed such that setup and hold timing does not violate the MAC requirements.
9. In SGMII mode, the xMII RX\_P, RX\_M, TX\_P, and TX\_M pins are routed 100Ω differential.
10. Place the MDIO pullup close to the PHY.
11. Go through 'Layout Checklist' tab from the [Schematic Checklist](#) to guide your design.

### 9.2.3 Application Curves

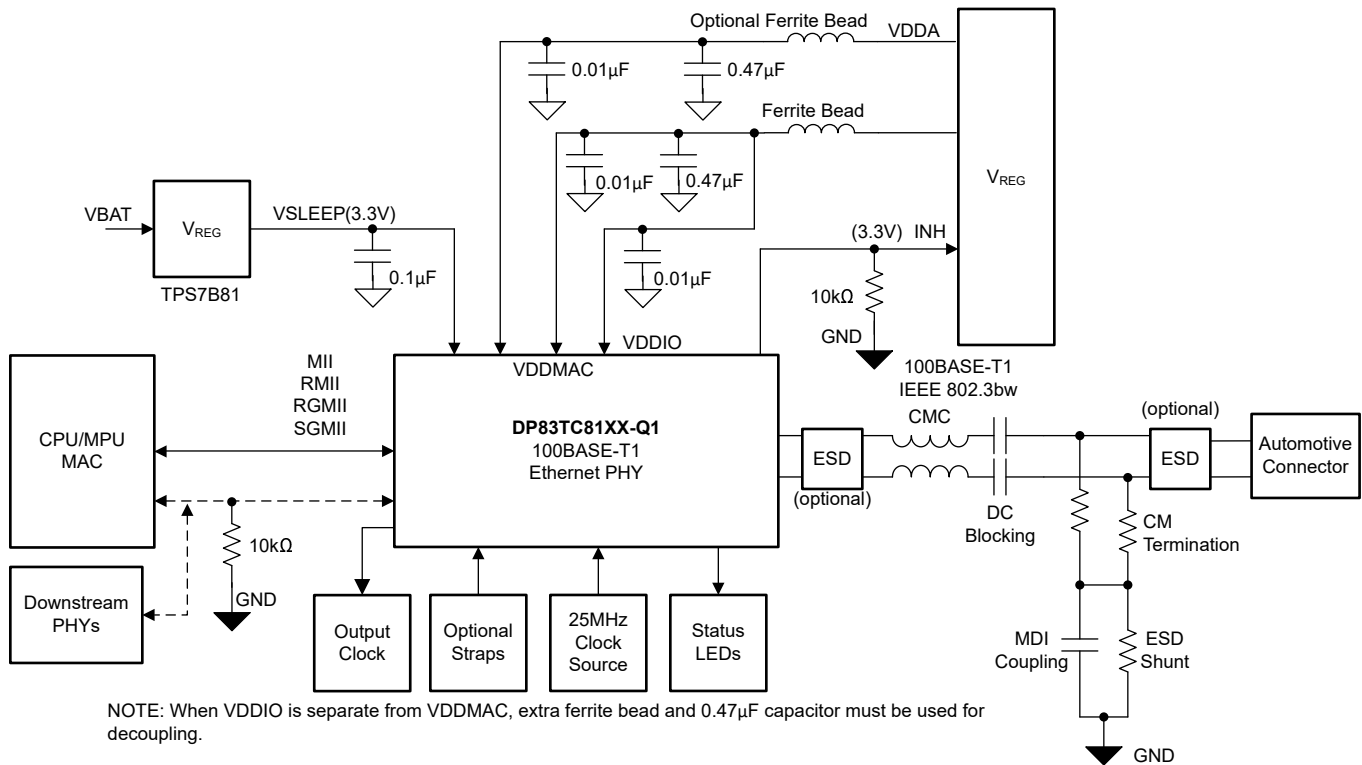
The following curves are obtained using the PHY evaluation module under nominal conditions.



### 9.3 Power Supply Recommendations

The DP83TC813S-Q1 is capable of operating with a wide range of IO supply voltages (3.3V, 2.5V, or 1.8V). No power supply sequencing is required. Please note that inputs pins must not be driven until VDDA and VDDIO are stable. The recommended power supply de-coupling network is shown in the figure below. For improved conducted emissions, an optional ferrite bead can be placed between the supply and the PHY de-coupling network.

Typical TC-10 application block diagram along with supply and peripherals is shown below. TPS7B81-Q1 is the recommended part number to be used as 3.3V LDO for the VSLEEP rail. The low quiescent current of this LDO makes the LDO designed for TC-10 applications.



**Figure 9-9. Typical TC-10 Application With Peripherals**

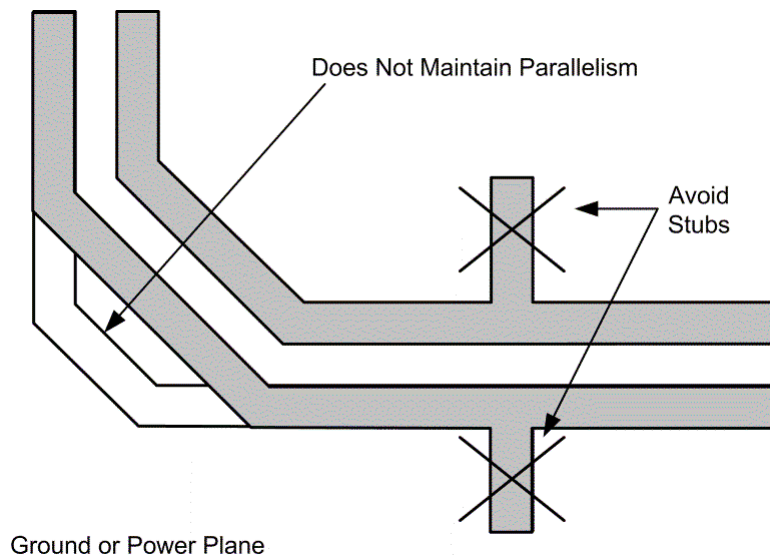
When VDDIO and VDDMAC are separate, both voltage rails must have a dedicated network of ferrite bead, 0.47 $\mu$ F, and 0.01 $\mu$ F capacitors. VSLEEP can also be connected to VDDA, 0.1 $\mu$ F capacitor must be retained in this configuration.

## 9.4 Layout

### 9.4.1 Layout Guidelines

#### 9.4.1.1 Signal Traces

PCB traces are lossy and long traces can degrade signal quality. Traces must be kept short as possible. Unless mentioned otherwise, all signal traces must be 50 $\Omega$ , single-ended impedance. Differential traces must be 50 $\Omega$  single-ended and 100 $\Omega$  differential. Make sure impedance is controlled throughout. Impedance discontinuities cause reflections leading to emissions and signal integrity issues. Stubs must be avoided on all signal traces, especially differential signal pairs.



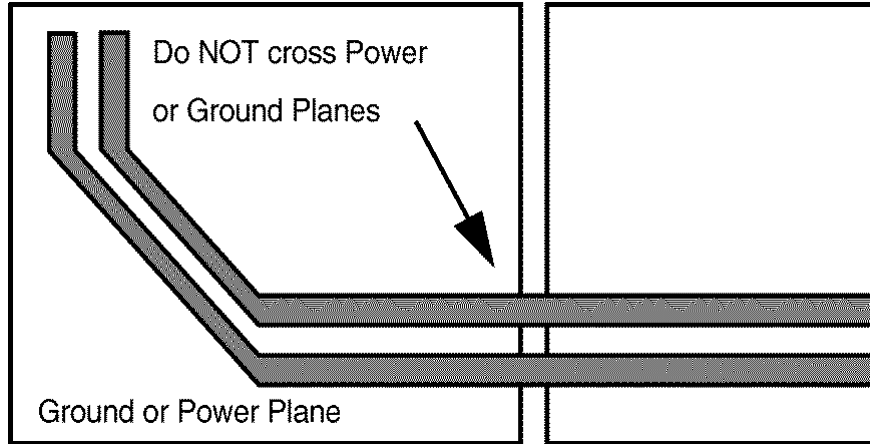
**Figure 9-10. Differential Signal Trace Routing**

Within the differential pairs, trace lengths must be run parallel to each other and matched in length. Matched lengths minimize delay differences, avoiding an increase in common mode noise and emissions. Length matching is also important for MAC interface connections. All transmit signal traces must be length matched to each other and all receive signal traces must be length matched to each other. For SGMII differential traces, keep the skew mismatch below 20ps.

Ideally, there must be no crossover on signal path traces. High speed signal traces must be routed on internal layers to improved EMC performance. However, vias present impedance discontinuities and must be minimized when possible. Route trace pairs on the same layer. Signals on different layers must not cross each other without at least one return path plane between them. Differential pairs must always have a constant coupling distance between them. For convenience and efficiency, TI recommends routing critical signals first (that is, MDI differential pairs, reference clock, and MAC IF traces).

#### 9.4.1.2 Return Path

A general best practice is to have a solid return path beneath all signal traces. This return path can be a continuous ground or DC power plane. Reducing the width of the return path can potentially affect the impedance of the signal trace. This effect is more prominent when the width of the return path is comparable to the width of the signal trace. Breaks in return path between the signal traces must be avoided at all cost. A signal crossing a split plane can cause unpredictable return path currents and can impact signal quality and result in emissions issues.



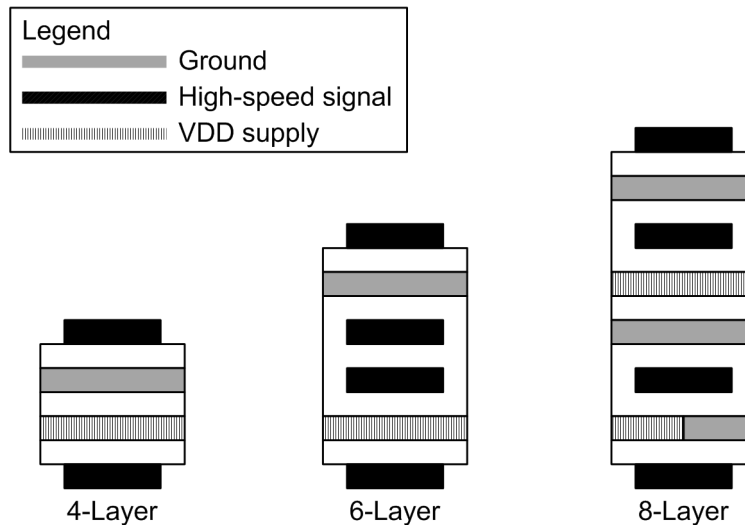
**Figure 9-11. Power and Ground Plane Breaks**

**9.4.1.3 Metal Pour**

All metal pours that are not signals or power must be tied to ground. There must be no floating metal in the system, and there must be no metal between differential traces.

**9.4.1.4 PCB Layer Stacking**

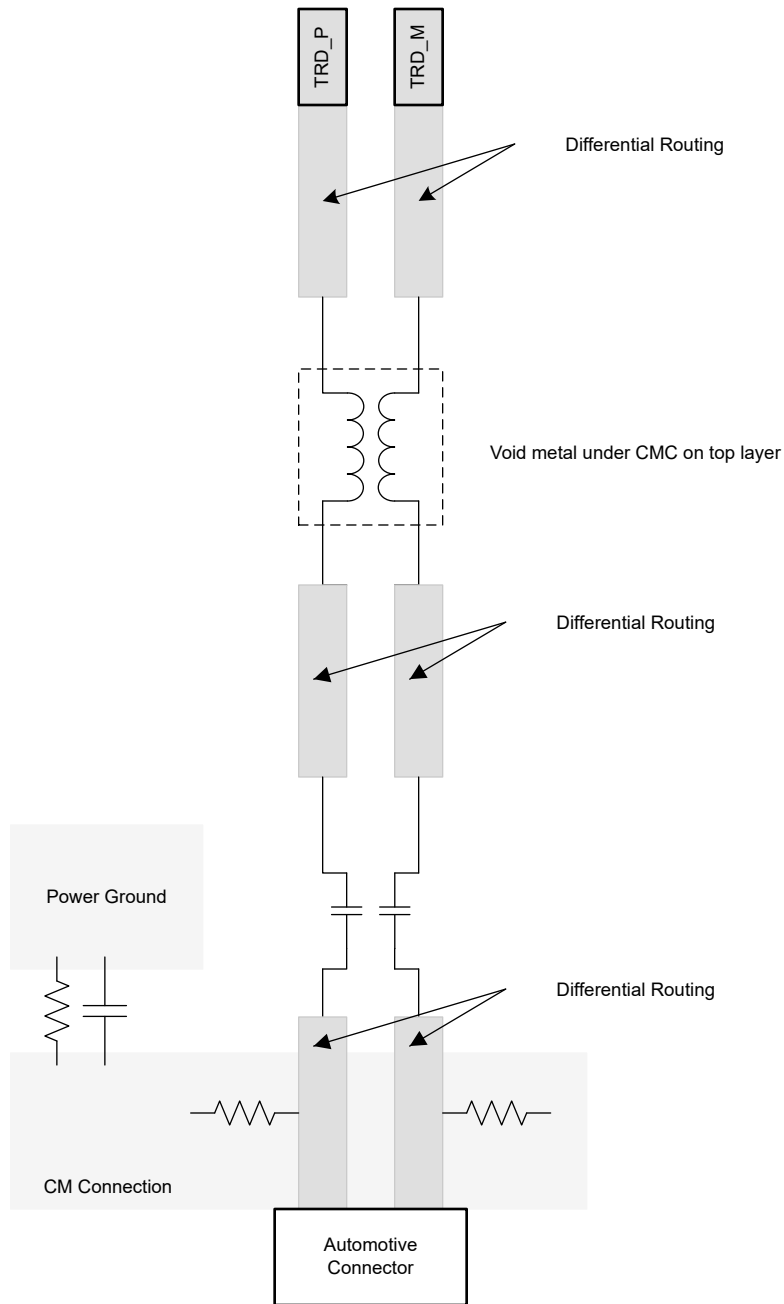
To meet signal integrity and performance requirements, minimum four-layer PCB is recommended. However, a six-layer PCB and above must be used when possible.



**Figure 9-12. Recommended PCB Layer Stack-Up**

**9.4.2 Layout Example**

There is an evaluation board references for the DP83TC813-Q1 . The DP83TC813EVM-MC is a media converter board which can be used for interoperability and bit error rate testing.



**Figure 9-13. MDI Low-Pass Filter Layout Recommendation**

## 10 Device and Documentation Support

### Note

TI is transitioning to use more inclusive terminology. Some language can be different than what is expected in certain technology areas.

### 10.1 Receiving Notification of Documentation Updates

To receive notification of documentation updates, navigate to the device product folder on ti.com. In the upper right corner, click on *Alert me* to register and receive a weekly digest of any product information that has changed. For change details, review the revision history included in any revised document.

### 10.2 Support Resources

[TI E2E™ support forums](#) are an engineer's go-to source for fast, verified answers and design help — straight from the experts. Search existing answers or ask your own question to get the quick design help you need.

Linked content is provided "AS IS" by the respective contributors. They do not constitute TI specifications and do not necessarily reflect TI's views; see TI's [Terms of Use](#).

### 10.3 Community Resources

#### 10.4 Trademarks

PHYTER™ and TI E2E™ are trademarks of Texas Instruments. All trademarks are the property of their respective owners.

#### 10.5 Electrostatic Discharge Caution



This integrated circuit can be damaged by ESD. Texas Instruments recommends that all integrated circuits be handled with appropriate precautions. Failure to observe proper handling and installation procedures can cause damage.

ESD damage can range from subtle performance degradation to complete device failure. Precision integrated circuits may be more susceptible to damage because very small parametric changes could cause the device not to meet its published specifications.

### 10.6 Glossary

[TI Glossary](#) This glossary lists and explains terms, acronyms, and definitions.

## 11 Revision History

NOTE: Page numbers for previous revisions may differ from page numbers in the current version.

Changes from Revision A (December 2025) to Revision B (July 2026)	Page
• Added information regarding pull-up to VDDIO for MDIO in Serial Management Interface.....	5
• Updated Pin Domain table to include information regarding input pins and external pull-up resistors.....	5
• Updated order of encoding cases in RGMII Transmit Encoding.....	50
• Updated order of encoding cases in RGMII Receive Encoding.....	50
• Updated register address range.....	53
• Updated LED1 configuration information.....	58
• Updated register address range in MMD Register Space Division.....	59

Changes from Revision * (May 2022) to Revision A (December 2025)	Page
• Updated Pin 22 description to include programming settings for RX_DV and CRS_DV in the <i>Pin Configuration and Functions</i> section.....	5
• Updated MDIO pin description to include link to <i>Compliance Test Modes</i> section in the <i>Pin Configuration and Functions</i> section.....	5

- Updated the CLKOUT frequency to be 50MHz in RMIIL Follower mode in the *Pin Configuration and Functions* section..... 5
- Updated Pin 9 and Pin 21 pin descriptions and package label in the *Pin Configuration and Functions* section ..... 5
- Added line to CLKOUT/GPIO2 description about which registers to program to disable switching in the *Pin Configuration and Functions* section..... 5
- Removed supply ramp delay offset for all supplies in the *Timing Requirements* section.....15
- Updated the *Power-Up Timing* figure in the *Timing Diagrams* section.....24
- Added corrections to the TDR description and deleted Register 0x310, Bit 8 in the *Time Domain Reflectometry* section..... 33
- Updated and corrected order of register writes for packet generation in the BIST and Loopback Modes section..... 34
- Clarified register reads for checking incoming data on the MAC side.....37
- Updated 100BASE-T1 Leader and 100BASE-T1 Follower Configuration.....46
- Added corrections to the RGMII Transmit Encoding table for Normal Data Transmission and Transmit Error Propagation..... 50
- Updated Bootstraps: RX\_DV pin number; corrected to 22.....55
- Updated PHY Address Bootstraps: Binary values corrected to match hex settings .....55
- Added corrections to the *LED Configuration* section and LED pin description.....58
- Clarified and updated Bit Descriptions throughout the *Registers* .....59
- Added clarification to Register 0x1834 Bit Description.....59
- Updated RMIIL Follower typical application diagram for correct XI configuration in the *Typical Applications* section..... 159
- Updated RGMII Typical Application diagram to include 25MHz input in the Power Supply Recommendations section..... 164

## 12 Mechanical, Packaging, and Orderable Information

The following pages include mechanical, packaging, and orderable information. This information is the most current data available for the designated devices. This data is subject to change without notice and revision of this document. For browser-based versions of this data sheet, refer to the left-hand navigation.

## IMPORTANT NOTICE AND DISCLAIMER

TI PROVIDES TECHNICAL AND RELIABILITY DATA (INCLUDING DATASHEETS), DESIGN RESOURCES (INCLUDING REFERENCE DESIGNS), APPLICATION OR OTHER DESIGN ADVICE, WEB TOOLS, SAFETY INFORMATION, AND OTHER RESOURCES "AS IS" AND WITH ALL FAULTS, AND DISCLAIMS ALL WARRANTIES, EXPRESS AND IMPLIED, INCLUDING WITHOUT LIMITATION ANY IMPLIED WARRANTIES OF MERCHANTABILITY, FITNESS FOR A PARTICULAR PURPOSE OR NON-INFRINGEMENT OF THIRD PARTY INTELLECTUAL PROPERTY RIGHTS.

These resources are intended for skilled developers designing with TI products. You are solely responsible for (1) selecting the appropriate TI products for your application, (2) designing, validating and testing your application, and (3) ensuring your application meets applicable standards, and any other safety, security, regulatory or other requirements.

These resources are subject to change without notice. TI grants you permission to use these resources only for development of an application that uses the TI products described in the resource. Other reproduction and display of these resources is prohibited. No license is granted to any other TI intellectual property right or to any third party intellectual property right. TI disclaims responsibility for, and you fully indemnify TI and its representatives against any claims, damages, costs, losses, and liabilities arising out of your use of these resources.

TI's products are provided subject to [TI's Terms of Sale](#), [TI's General Quality Guidelines](#), or other applicable terms available either on [ti.com](http://ti.com) or provided in conjunction with such TI products. TI's provision of these resources does not expand or otherwise alter TI's applicable warranties or warranty disclaimers for TI products. Unless TI explicitly designates a product as custom or customer-specified, TI products are standard, catalog, general purpose devices.

TI objects to and rejects any additional or different terms you may propose.

Copyright © 2026, Texas Instruments Incorporated

Last updated 10/2025