

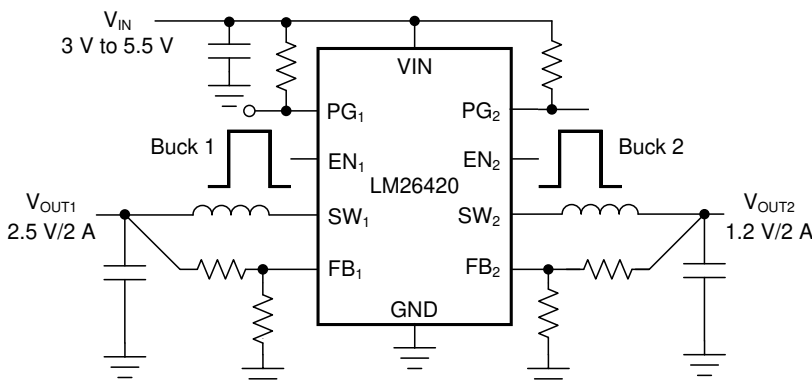
LM26420-Q1 Dual 2A, Automotive-Qualified, High-Efficiency Synchronous DC/DC Converter

1 Features

- Qualified for automotive applications
- AEC Q100-qualified with the following results:
 - Device temperature grade 0 (Q0): -40°C to $+150^{\circ}\text{C}$ ambient operating temperature
 - Device temperature grade 1 (Q1): -40°C to $+125^{\circ}\text{C}$ ambient operating temperature
- **Functional Safety-Capable**
 - [Documentation available to aid functional safety system design](#)
- Compliant with CISPR25 class 5 conducted emissions
- Input voltage range of 3V to 5.5V
- Output voltage range of 0.8V to 4.5V
- 2A output current per regulator
- Fixed 2.2MHz switching frequency
- 0.8V, 1.5% Internal voltage reference
- Internal soft start
- Independent power good and precision enable for each output
- Current mode, PWM operation
- Thermal shutdown
- Overvoltage protection
- Start-up into prebiased output loads
- Regulators are 180° out of phase
- Create a custom design using the LM26420-Q1 with the [WEBENCH® Power Designer](#)

2 Applications

- [Automotive infotainment and cluster](#)
- [Advanced driver assistance systems \(ADAS\)](#)



LM26420 Dual Buck DC/DC Converter

3 Description

The LM26420-Q1 regulator is a monolithic, high-efficiency dual PWM step-down DC/DC converter. This device has the ability to drive two 2A loads with an internal $75\text{m}\Omega$ MOS top switch and an internal $50\text{m}\Omega$ MOS bottom switch using state-of-the-art BICMOS technology results in the best power density available. The world-class control circuitry allow on times as low as 30ns, thus supporting exceptionally high-frequency conversion over the entire 3V to 5.5V input operating range down to the minimum output voltage of 0.8V.

Although the operating frequency is high, efficiencies up to 93% are easy to achieve. External shutdown is included, featuring an ultra-low standby current. The LM26420-Q1 uses current-mode control and internal compensation to provide high performance regulation over a wide range of operating conditions.

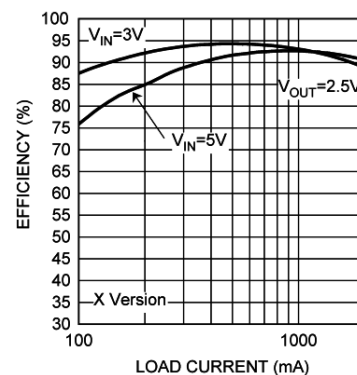
Because the switching frequency is made sure to be greater than 2MHz, the LM26420-Q1 can be used in automotive applications without causing interference in the AM frequency band.

Package Information

| PART NUMBER | PACKAGE ⁽¹⁾ | PACKAGE SIZE ⁽²⁾ |
|-------------|------------------------|-----------------------------|
| LM26420-Q1 | PWP (HTSSOP, 20) | 6.5mm × 6.4mm |
| | RUM (WQFN, 16) | 4mm × 4mm |

(1) For more information, see [Section 10](#).

(2) The package size (length × width) is a nominal value and includes pins, where applicable.



LM26420 Efficiency (Up to 93%)



Table of Contents

| | | | |
|--|-----------|--|-----------|
| 1 Features | 1 | 7 Application and Implementation | 16 |
| 2 Applications | 1 | 7.1 Application Information..... | 16 |
| 3 Description | 1 | 7.2 Typical Applications..... | 20 |
| 4 Pin Configuration and Functions | 3 | 7.3 Power Supply Recommendations..... | 30 |
| 5 Specifications | 5 | 7.4 Layout..... | 30 |
| 5.1 Absolute Maximum Ratings..... | 5 | 8 Device and Documentation Support | 34 |
| 5.2 ESD Ratings..... | 5 | 8.1 Device Support..... | 34 |
| 5.3 Recommended Operating Conditions..... | 5 | 8.2 Documentation Support..... | 34 |
| 5.4 Thermal Information..... | 5 | 8.3 Receiving Notification of Documentation Updates.... | 34 |
| 5.5 Electrical Characteristics Per Buck..... | 6 | 8.4 Support Resources..... | 34 |
| 5.6 Typical Characteristics..... | 7 | 8.5 Trademarks..... | 34 |
| 6 Detailed Description | 12 | 8.6 Electrostatic Discharge Caution..... | 34 |
| 6.1 Overview..... | 12 | 8.7 Glossary..... | 35 |
| 6.2 Functional Block Diagram..... | 13 | 9 Revision History | 35 |
| 6.3 Feature Description..... | 14 | 10 Mechanical, Packaging, and Orderable Information | 35 |
| 6.4 Device Functional Modes..... | 15 | | |

4 Pin Configuration and Functions

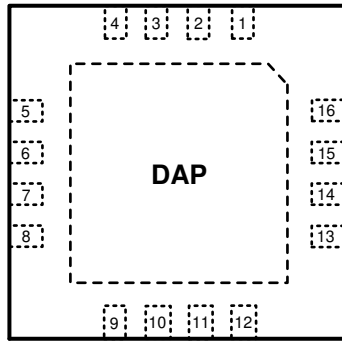


Figure 4-1. RUM Package 16-Pin WQFN Top View

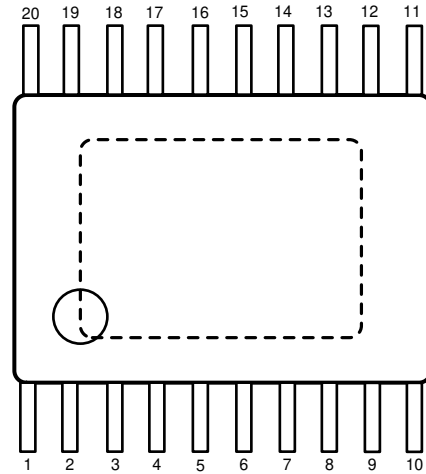


Figure 4-2. PWP Package 20-Pin HTSSOP Top View

Table 4-1. Pin Functions: 16-Pin WQFN

| PIN | | TYPE ⁽¹⁾ | DESCRIPTION |
|--------|-------------------|---------------------|--|
| NUMBER | NAME | | |
| 1,2 | VIND ₁ | P | Power input supply for Buck 1 |
| 3 | SW ₁ | P | Output switch for Buck 1. Connect to the inductor. |
| 4 | PGND ₁ | G | Power ground pin for Buck 1 |
| 5 | FB ₁ | A | Feedback pin for Buck 1. Connect to external resistor divider to set output voltage. |
| 6 | PG ₁ | G | Power-Good Indicator for Buck 1. Pin is connected through a resistor to an external supply (open-drain output). |
| 7 | PG ₂ | G | Power-Good Indicator for Buck 2. Pin is connected through a resistor to an external supply (open-drain output). |
| 8 | FB ₂ | A | Feedback pin for Buck 2. Connect to external resistor divider to set output voltage. |
| 9 | PGND ₂ | G | Power ground pin for Buck 2 |
| 10 | SW ₂ | P | Output switch for Buck 2. Connect to the inductor. |
| 11, 12 | VIND ₂ | A | Power Input supply for Buck 2 |
| 13 | EN ₂ | A | Enable control input. Logic high enable operation for Buck 2. Do not allow this pin to float or be greater than V _{IN} + 0.3 V. |
| 14 | AGND | G | Signal ground pin. Place the bottom resistor of the feedback network as close as possible to pin. |
| 15 | VINC | A | Input supply for control circuitry |
| 16 | EN ₁ | A | Enable control input. Logic high enable operation for Buck 1. Do not allow this pin to float or be greater than V _{IN} + 0.3 V. |
| DAP | Die Attach Pad | — | Connect to system ground for low thermal impedance and as a primary electrical GND connection. |

(1) A = analog, P = power, G = ground

Table 4-2. Pin Functions: 20-Pin HTSSOP

| PIN | | TYPE ⁽¹⁾ | DESCRIPTION |
|-------------|-------------------|---------------------|---|
| NUMBER | NAME | | |
| 1 | VINC | A | Input supply for control circuitry |
| 2 | EN ₁ | A | Enable control input. Logic high enable operation for Buck 1. Do not allow this pin to float or be greater than $V_{IN} + 0.3$ V. |
| 3, 4 | VIND ₁ | A | Power Input supply for Buck 1 |
| 5 | SW ₁ | P | Output switch for Buck 1. Connect to the inductor. |
| 6,7 | PGND ₁ | G | Power ground pin for Buck 1 |
| 8 | FB ₁ | A | Feedback pin for Buck 1. Connect to external resistor divider to set output voltage. |
| 9 | PG ₁ | G | Power Good Indicator for Buck 1. Pin is connected through a resistor to an external supply (open-drain output). |
| 10, 11, DAP | Die Attach Pad | — | Connect to system ground for low thermal impedance, but this pin cannot be used as a primary GND connection. |
| 12 | PG ₂ | G | Power Good Indicator for Buck 2. Pin is connected through a resistor to an external supply (open-drain output). |
| 13 | FB ₂ | A | Feedback pin for Buck 2. Connect to external resistor divider to set output voltage. |
| 14, 15 | PGND ₂ | G | Power ground pin for Buck 2 |
| 16 | SW ₂ | P | Output switch for Buck 2. Connect to the inductor. |
| 17, 18 | VIND ₂ | A | Power Input supply for Buck 2 |
| 19 | EN ₂ | A | Enable control input. Logic high enable operation for Buck 2. Do not allow this pin to float or be greater than $V_{IN} + 0.3$ V. |
| 20 | AGND | G | Signal ground pin. Place the bottom resistor of the feedback network as close as possible to pin. |

(1) A = analog, P = power, G = ground

5 Specifications

5.1 Absolute Maximum Ratings

Over operating free-air temperature range (unless otherwise noted)⁽¹⁾

| | | MIN | MAX | UNIT |
|--|-----------------------|------|-----|------|
| Input voltages | VIN | -0.5 | 7 | V |
| | FB | -0.5 | 3 | |
| | EN | -0.5 | 7 | |
| Output voltages | SW | -0.5 | 7 | V |
| Infrared or convection reflow (15 sec) | Soldering Information | | 220 | °C |
| Storage temperature T _{stg} | | -65 | 150 | °C |

- (1) Stresses beyond those listed under *Absolute Maximum Ratings* may cause permanent damage to the device. These are stress ratings only, which do not imply functional operation of the device at these or any other conditions beyond those indicated under *Recommended Operating Conditions*. Exposure to absolute-maximum-rated conditions for extended periods may affect device reliability.

5.2 ESD Ratings

| | | | VALUE | UNIT |
|--|---|-------------------------------|-------|------|
| V _(ESD) Electrostatic discharge | Human-body model (HBM), per AEC Q100-002 ⁽¹⁾ | | ±2000 | V |
| | Charged-device model (CDM), per AEC Q100-011 | Other pins | ±750 | |
| | | Corner pins 1, 10, 11, and 20 | ±750 | |

- (1) AEC Q100-002 indicates that HBM stressing must be in accordance with the ANSI/ESDA/JEDEC JS-001 specification.

5.3 Recommended Operating Conditions

Over operating free-air temperature range (unless otherwise noted)

| | MIN | MAX | UNIT |
|---------------------------|-----|-----|------|
| V _{IN} | 3 | 5.5 | V |
| Junction temperature (Q1) | -40 | 125 | °C |
| Junction temperature (Q0) | -40 | 150 | |

5.4 Thermal Information

| THERMAL METRIC ⁽¹⁾ | LM26420-Q1 | | UNIT |
|--|--------------|------------|------|
| | PWP (HTSSOP) | RUM (WQFN) | |
| | 20 PINS | 16 PINS | |
| R _{θJA} Junction-to-ambient thermal resistance | 38.5 | 36.2 | °C/W |
| R _{θJC(top)} Junction-to-case thermal resistance | 21.0 | 32.7 | °C/W |
| R _{θJB} Junction-to-board thermal resistance | 19.9 | 14.1 | °C/W |
| ψ _{JT} Junction-to-top characterization parameter | 0.7 | 0.3 | °C/W |
| ψ _{JB} Junction-to-board characterization parameter | 19.7 | 14.2 | °C/W |
| R _{θJC(bot)} Junction-to-case (bottom) thermal resistance | 3.5 | 4.1 | °C/W |

- (1) For more information about traditional and new thermal metrics, see the [Semiconductor and IC Package Thermal Metrics](#) application note.

5.5 Electrical Characteristics Per Buck

Over operating free-air temperature range (unless otherwise noted)

| PARAMETER | | TEST CONDITIONS | MIN | TYP | MAX | UNIT |
|-----------------------------------|---|--|-------|-------|-------|------|
| V _{FB} | Feedback voltage | | 0.788 | 0.8 | 0.812 | V |
| ΔV _{FB} /V _{IN} | Feedback Voltage line regulation | V _{IN} = 3 V to 5.5 V | | 0.05 | | %/V |
| I _B | Feedback input bias current | | | 0.4 | 100 | nA |
| UVLO | Undervoltage lockout | V _{IN} rising, HTSSOP-20 package | | 2.628 | 2.9 | V |
| | | V _{IN} Rising, WQFN-16 Package | | 2.75 | 2.9 | V |
| | | V _{IN} falling, HTSSOP-20 package | 2 | 2.3 | | V |
| | | V _{IN} Falling, WQFN-16 Package | 2 | 2.5 | | V |
| | UVLO hysteresis | HTSSOP-20 Package | | 330 | | mV |
| | | WQFN-16 Package | | 260 | | mV |
| F _{SW} | Switching frequency | | 2.01 | 2.2 | 2.65 | MHz |
| F _{FB} | Frequency foldback | HTSSOP-20 Package | | 300 | | kHz |
| D _{MAX} | Maximum duty cycle | | 86% | 91.5% | | |
| R _{DS(on)_TOP} | TOP switch on resistance | WQFN-16 package | | 75 | 135 | mΩ |
| | | HTSSOP-20 package | | 70 | 135 | |
| R _{DS(on)_BOT} | BOTTOM switch on resistance | WQFN-16 package | | 55 | 100 | mΩ |
| | | HTSSOP-20 package | | 45 | 80 | |
| I _{CL_TOP} | TOP switch current limit | V _{IN} = 3.3 V | 2.4 | 3.3 | | A |
| I _{CL_BOT} | BOTTOM Switch reverse current limit | V _{IN} = 3.3 V, HTSSOP-20 Package | 0.4 | 0.75 | | A |
| | | V _{IN} = 3.3V, WQFN-16 Package | 0.4 | 1.0 | | A |
| ΔΦ | Phase shift between SW ₁ and SW ₂ | | 160 | 180 | 200 | ° |
| V _{EN_TH} | Enable threshold voltage | | 0.97 | 1.04 | 1.12 | V |
| | Enable threshold hysteresis | | | 0.15 | | |
| I _{SW_TOP} | Switch leakage | | | -0.7 | | μA |
| I _{EN} | Enable pin current | Sink/source | | 5 | | nA |
| V _{PG-TH-U} | Upper Power-Good threshold | FB pin voltage rising | 848 | 925 | 1,008 | mV |
| | Upper Power-Good hysteresis | | | 40 | | |
| V _{PG-TH-L} | Lower Power-Good threshold | FB pin voltage rising | 656 | 710 | 791 | mV |
| | Lower Power-Good hysteresis | | | 40 | | |
| I _{QVINC} | VINC quiescent current (non-switching) with both outputs on | V _{FB} = 0.95 V | | 3.3 | 5 | mA |
| | VINC quiescent current (switching) with both outputs on | V _{FB} = 0.7 V | | 4.7 | 6.2 | |
| | VINC quiescent current (shutdown) | V _{EN} = 0 V | | 0.05 | | |
| I _{QVIND} | VIND quiescent current (non-switching) | V _{FB} = 0.95 V | | 0.9 | 1.5 | mA |
| | VIND quiescent current (switching) | V _{FB} = 0.7 V | | 11 | 15 | |
| I _{QVIND} | VIND Quiescent Current (switching) | LM26420Q0 V _{FB} = 0.7 V | | 11 | 18 | mA |
| I _{QVIND} | VIND quiescent current (shutdown) | V _{EN} = 0 V | | 0.1 | | μA |
| T _{SD} | Thermal shutdown temperature | | | 165 | | °C |

5.6 Typical Characteristics

All curves taken at $V_{IN} = 5\text{ V}$ with configuration in typical application circuits shown in [Section 7](#). $T_J = 25^\circ\text{C}$, unless otherwise specified.

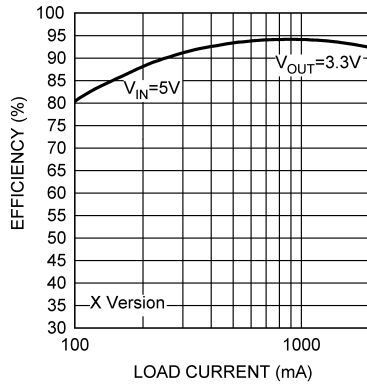


Figure 5-1. Efficiency vs Load

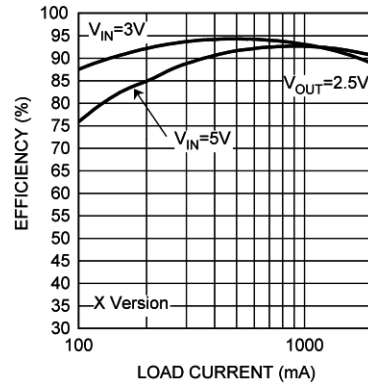


Figure 5-2. Efficiency vs Load

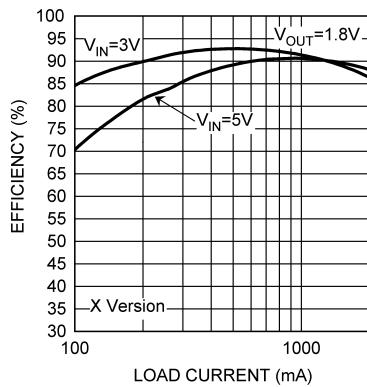


Figure 5-3. Efficiency vs Load

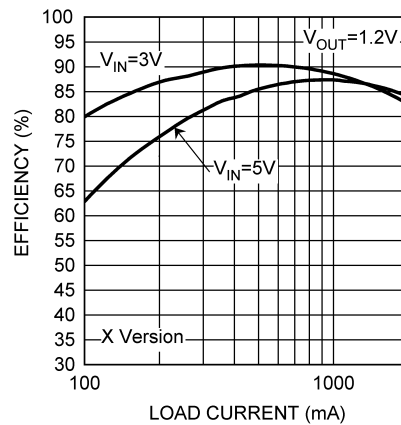


Figure 5-4. Efficiency vs Load

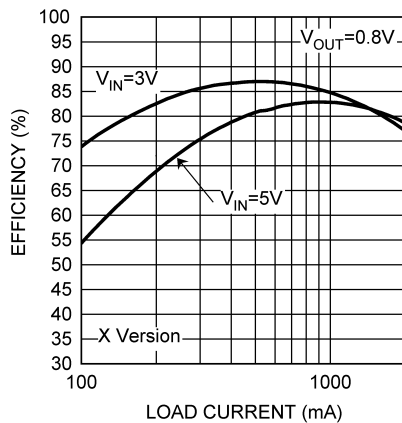


Figure 5-5. Efficiency vs Load

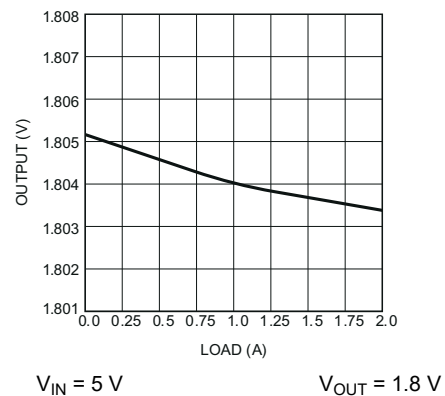
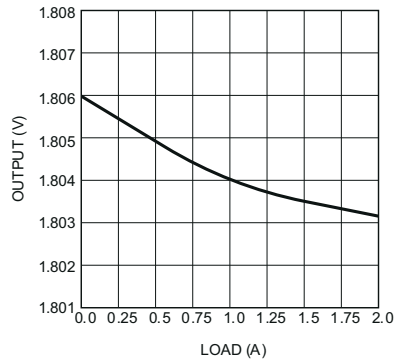


Figure 5-6. Load Regulation

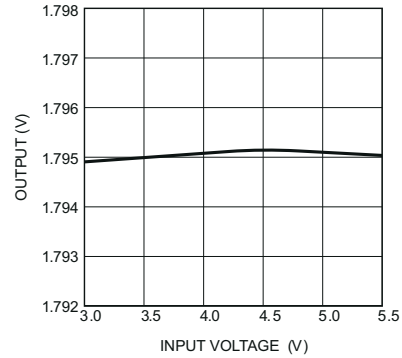
5.6 Typical Characteristics (continued)

All curves taken at $V_{IN} = 5\text{ V}$ with configuration in typical application circuits shown in [Section 7](#). $T_J = 25^\circ\text{C}$, unless otherwise specified.



$V_{IN} = 3\text{ V}$ $V_{OUT} = 1.8\text{ V}$

Figure 5-7. Load Regulation



$V_{OUT} = 1.8\text{ V}$ $I_{OUT} = 1000\text{ mA}$

Figure 5-8. Line Regulation

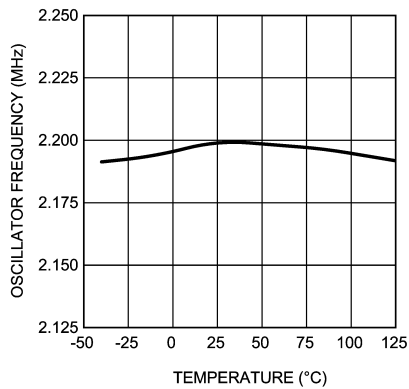


Figure 5-9. Oscillator Frequency vs Temperature,

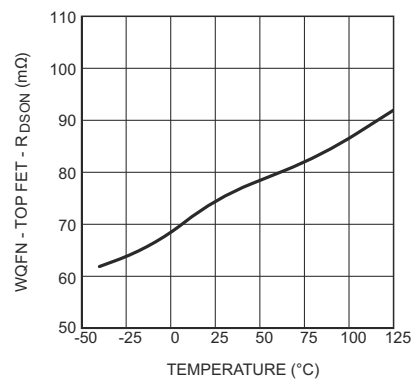


Figure 5-10. R_{DS(on)} Top Vs Temperature (WQFN-16 Package)

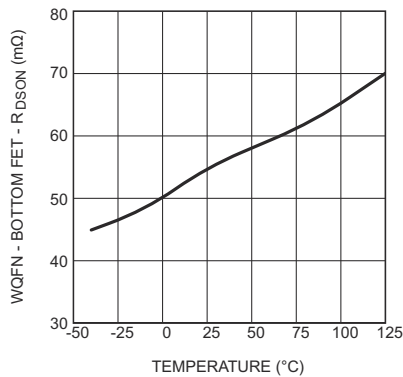


Figure 5-11. R_{DS(on)} Bottom Vs Temperature (WQFN-16 Package)

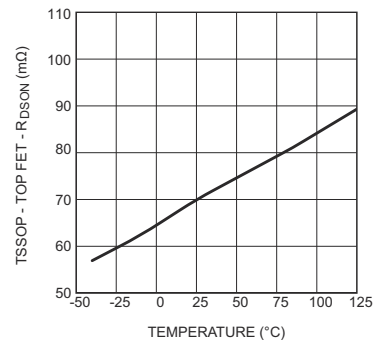


Figure 5-12. R_{DS(on)} Top Vs Temperature (HTSSOP-20 Package)

5.6 Typical Characteristics (continued)

All curves taken at $V_{IN} = 5\text{ V}$ with configuration in typical application circuits shown in [Section 7](#). $T_J = 25^\circ\text{C}$, unless otherwise specified.

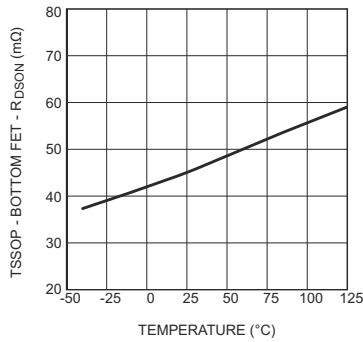


Figure 5-13. $R_{DS(on)}$ Bottom vs Temperature (HTSSOP-20 Package)

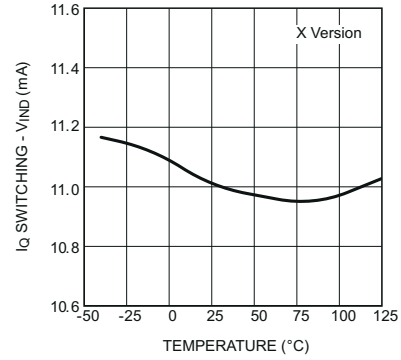


Figure 5-14. I_Q (Quiescent Current Switching)

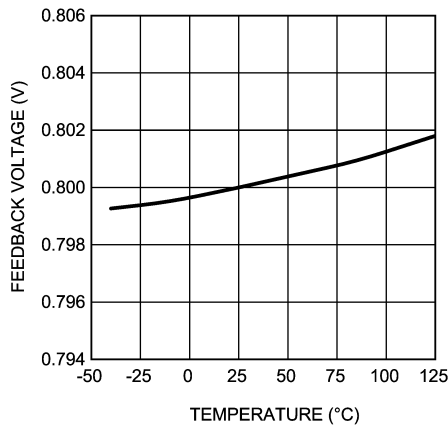


Figure 5-15. V_{FB} vs Temperature

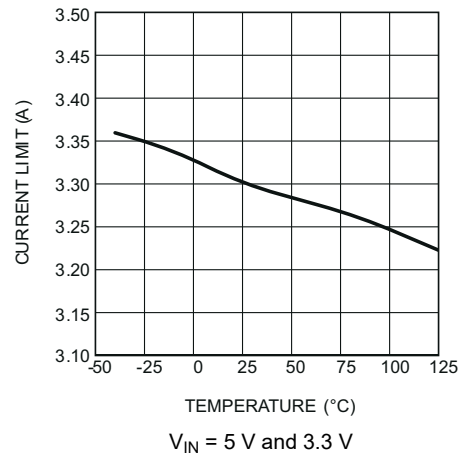


Figure 5-16. Current Limit vs Temperature

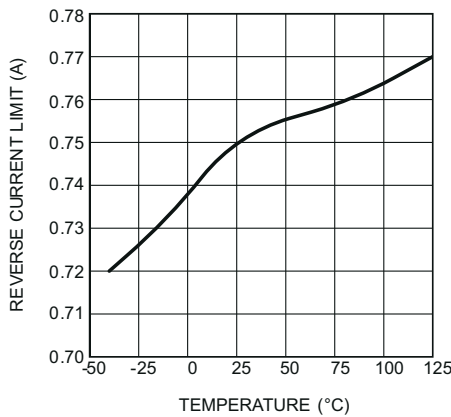


Figure 5-17. Reverse Current Limit vs Temperature

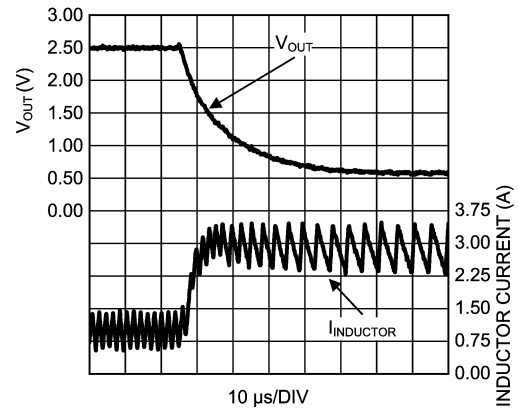


Figure 5-18. Short-Circuit Waveforms

5.6 Typical Characteristics (continued)

All curves taken at $V_{IN} = 5\text{ V}$ with configuration in typical application circuits shown in [Section 7](#). $T_J = 25^\circ\text{C}$, unless otherwise specified.

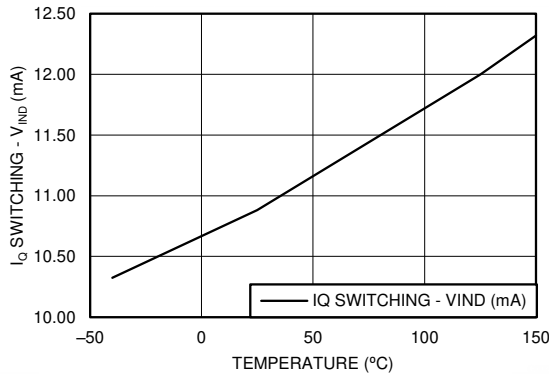


Figure 5-19. I_Q (Quiescent Current) vs Temperature (Q0 Grade)

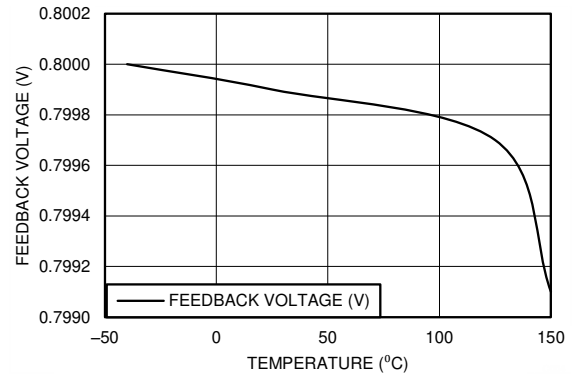


Figure 5-20. V_{FB} vs Temperature (Q0 Grade)

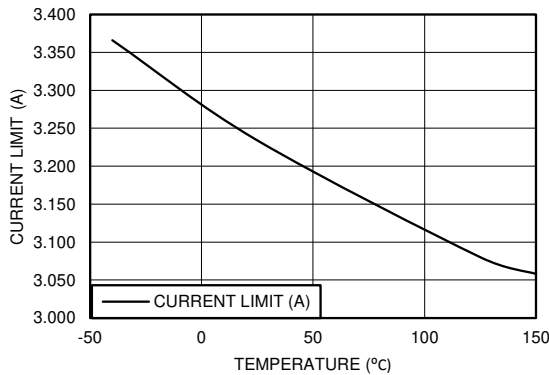


Figure 5-21. Current Limit vs Temperature (Q0 Grade)

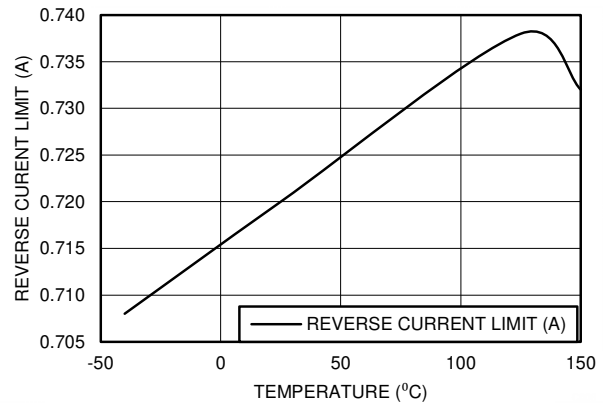


Figure 5-22. Reverse Current Limit vs Temperature (Q0 Grade)

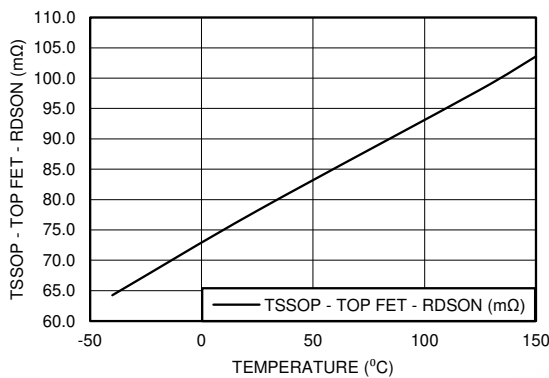


Figure 5-23. R_{DSON} Top vs Temperature (Q0 Grade)

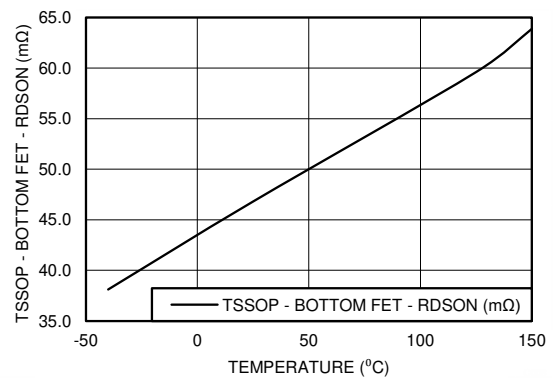


Figure 5-24. R_{DSON} Bottom vs Temperature (Q0 Grade)

5.6 Typical Characteristics (continued)

All curves taken at $V_{IN} = 5\text{ V}$ with configuration in typical application circuits shown in [Section 7](#). $T_J = 25^\circ\text{C}$, unless otherwise specified.

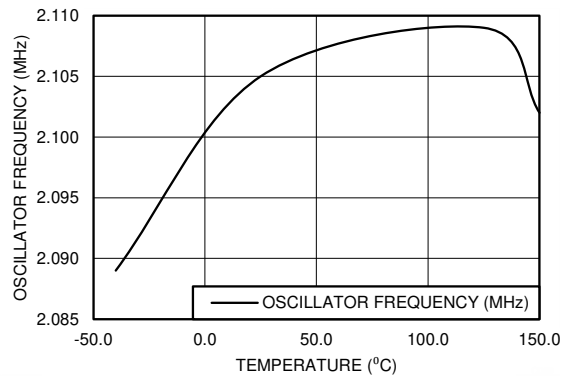


Figure 5-25. Oscillator Frequency vs Temperature (Q0 Grade)

6 Detailed Description

6.1 Overview

The LM26420-Q1 is a constant frequency dual PWM buck synchronous regulator device that can supply two loads at up to 2 A each. The regulator has a preset switching frequency of 2.2 MHz. This high frequency allows the LM26420-Q1 to operate with small surface mount capacitors and inductors, resulting in a DC/DC converter that requires a minimum amount of board space. The LM26420-Q1 is internally compensated, so LM26420-Q1 is simple to use and requires few external components. The LM26420-Q1 uses current-mode control to regulate the output voltage. The following operating description of the LM26420-Q1 refers to the [Section 6.2](#), which depicts the functional blocks for one of the two channels, and to the waveforms in [Figure 6-1](#). The LM26420-Q1 supplies a regulated output voltage by switching the internal TOP and BOTTOM MOS switches at constant frequency and variable duty cycle. A switching cycle begins at the falling edge of the reset pulse generated by the internal clock. When this pulse goes low, the output control logic turns on the internal TOP switch. During this on-time, the SW pin voltage (V_{SW}) swings up to approximately V_{IN} , and the inductor current (I_L) increases with a linear slope. I_L is measured by the current sense amplifier, which generates an output proportional to the switch current. The sense signal is summed with the corrective ramp of the regulator and compared to the output of the error amplifier, which is proportional to the difference between the feedback voltage and V_{REF} . When the PWM comparator output goes high, the TOP Switch turns off and the BOTTOM switch turns on after a short delay, which is controlled by the Dead-Time-Control Logic, until the next switching cycle begins. During the TOP switch off-time, inductor current discharges through the BOTTOM switch, which forces the SW pin to swing to ground. The regulator loop adjusts the duty cycle (D) to maintain a constant output voltage.

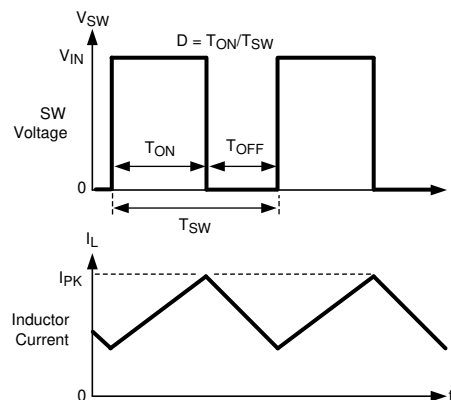


Figure 6-1. LM26420-Q1 Basic Operation of the PWM Comparator

6.2 Functional Block Diagram

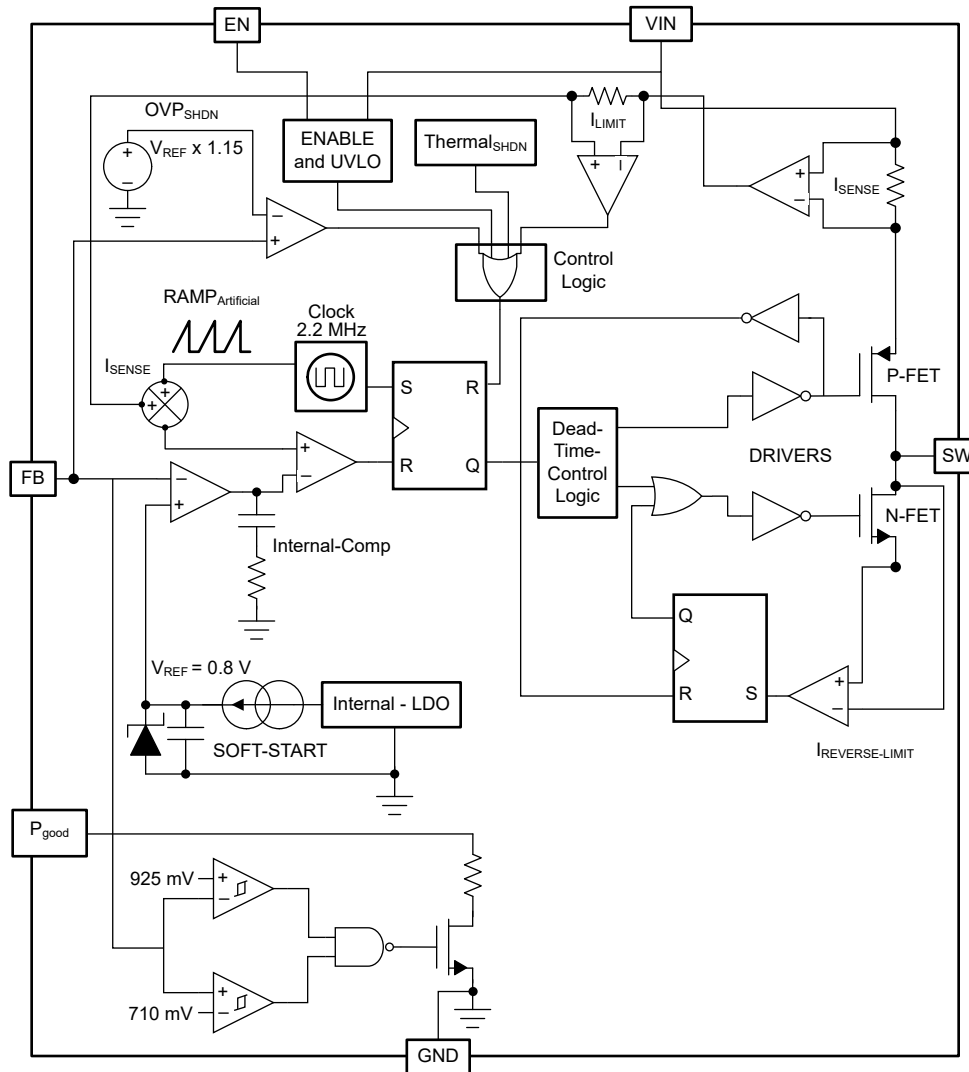


Figure 6-2. HTSSOP-20 Package

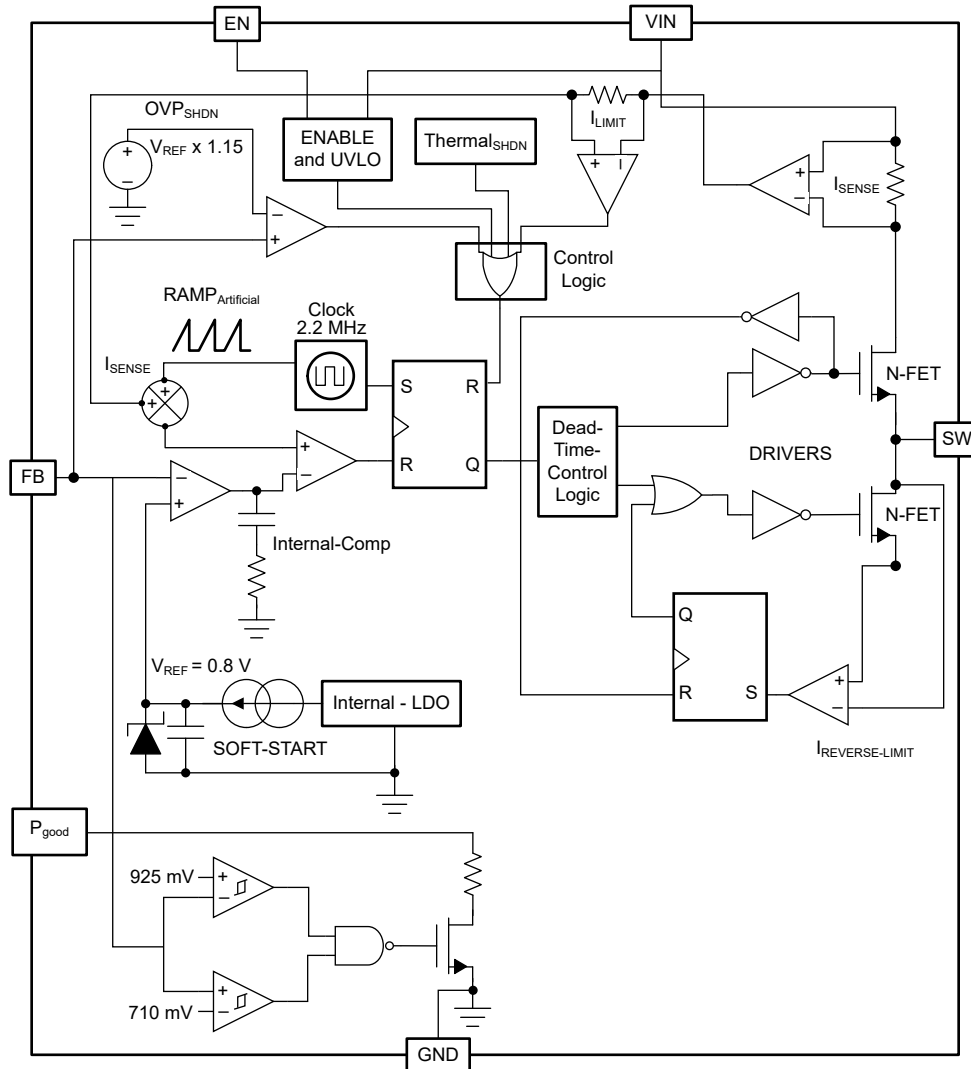


Figure 6-3. WQFN-16 Package

6.3 Feature Description

6.3.1 Soft Start

This function forces V_{OUT} to increase at a controlled rate during start-up in a controlled fashion, which helps reduce inrush current and eliminate overshoot on V_{OUT} . During soft start, reference voltage of the error amplifier ramps from 0 V to the nominal value of 0.8 V in approximately 600 μ s. If the converter is turned on into a prebiased load, then the feedback begins ramping from the prebias voltage, but at the same rate as if started from 0 V. The two outputs start up ratiometrically if enabled at the same time, see the following figure.

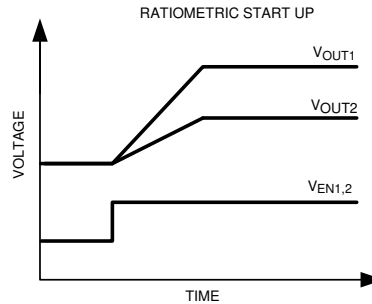


Figure 6-4. LM26420 Soft Start

6.3.2 Power Good

The LM26420-Q1 features an open-drain power-good (PG) pin to sequence external supplies or loads and to provide fault detection. This pin requires an external resistor (R_{PG}) to pull PG high when the output is within the PG tolerance window. Typical values for this resistor range from 10 k Ω to 100 k Ω .

6.3.3 Precision Enable

The LM26420-Q1 features independent precision enables that allow the converter to be controlled by an external signal. This feature allows the device to be sequenced either by an external control signal or the output of another converter in conjunction with a resistor divider network. This feature can also be set to turn on at a specific input voltage when used in conjunction with a resistor divider network connected to the input voltage. The device is enabled when the EN pin exceeds 1.04 V and has a 150-mV hysteresis.

6.4 Device Functional Modes

6.4.1 Output Overvoltage Protection

The overvoltage comparator compares the FB pin voltage to a voltage that is approximately 15% greater than the internal reference, V_{REF} . Once the FB pin voltage goes 15% above the internal reference, the internal TOP switch is turned off, which allows the output voltage to decrease toward regulation.

6.4.2 Undervoltage Lockout

Undervoltage lockout (UVLO) prevents the LM26420-Q1 from operating until the input voltage exceeds 2.628 V (typical) for HTSSOP-20 package or 2.75 V (typical) for WQFN-16 package. The UVLO threshold has a hysteresis of approximately 330 mV (typical) for HTSSOP-20 package or 260 mV (typical) for WQFN-16 package, so the device operates until V_{IN} drops below 2.3 V (typical) for HTSSOP-20 package or 2.5 V (typical) for WQFN-16 package. Hysteresis prevents the part from turning off during power up if V_{IN} is non-monotonic.

6.4.3 Current Limit

The LM26420-Q1 uses cycle-by-cycle current limiting to protect the output switch. During each switching cycle, a current limit comparator detects if the output switch current exceeds 3.3 A (typical), and turns off the switch until the next switching cycle begins.

6.4.4 Thermal Shutdown

Thermal shutdown limits total power dissipation by turning off the output switch when the device junction temperature exceeds 165°C. After thermal shutdown occurs, the output switch does not turn on until the junction temperature drops to approximately 150°C.

7 Application and Implementation

Note

Information in the following applications sections is not part of the TI component specification, and TI does not warrant its accuracy or completeness. TI's customers are responsible for determining suitability of components for their purposes, as well as validating and testing their design implementation to confirm system functionality.

7.1 Application Information

7.1.1 Programming Output Voltage

The output voltage is set using Equation 1 where R2 is connected between the FB pin and GND, and R1 is connected between V_{OUT} and the FB pin. A good value for R2 is 10 kΩ. When designing a unity gain converter (V_{OUT} = 0.8 V), R1 must be between 0 Ω and 100 Ω, and R2 must be on the order of 5 kΩ to 50 kΩ. 10 kΩ is the suggested value where R1 is the top feedback resistor and R2 is the bottom feedback resistor.

$$R1 = \left(\frac{V_{OUT}}{V_{REF}} - 1 \right) \times R2 \quad (1)$$

$$V_{REF} = 0.80 \text{ V} \quad (2)$$

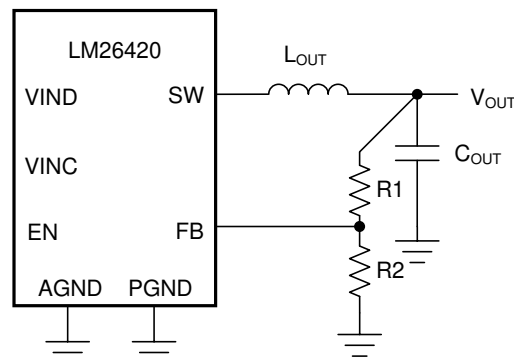


Figure 7-1. Programming V_{OUT}

To determine the maximum allowed resistor tolerance, use Equation 3:

$$\sigma = \left(\frac{1}{1 + 2x \frac{1 - \frac{V_{FB}}{V_{OUT}}}{TOL - \phi}} \right) \quad (3)$$

where

- TOL is the set point accuracy of the regulator, is the tolerance of V_{FB}.

Example:

V_{OUT} = 2.5 V, with a setpoint accuracy of ±3.5%

$$\sigma = \left(\frac{1}{1 + 2x \frac{1 - \frac{0.8V}{2.5V}}{3.5\% - 1.5\%}} \right) = 1.4\% \quad (4)$$

Choose 1% resistors. If R2 = 10 kΩ, then R1 is 21.25 kΩ.

7.1.2 VINC Filtering Components

Additional filtering is required between VINC and AGND to prevent high frequency noise on VIN from disturbing the sensitive circuitry connected to VINC. A small RC filter can be used on the VINC pin as shown in Figure 7-2.

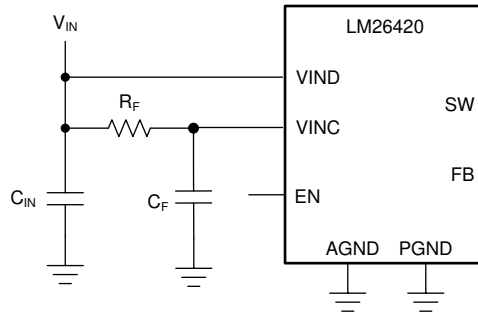


Figure 7-2. RC Filter On VINC

In general, R_F is typically between $1\ \Omega$ and $10\ \Omega$ so that the steady state voltage drop across the resistor due to the VINC bias current does not affect the UVLO level. C_F can range from $0.22\ \mu\text{F}$ to $1\ \mu\text{F}$ in X7R or X5R dielectric, where the RC time constant must be at least $2\ \mu\text{s}$. C_F must be placed as close to the device as possible with a direct connection from VINC and AGND.

7.1.3 Using Precision Enable and Power Good

The LM26420-Q1 device precision EN and PG pins address many of the sequencing requirements required in challenging applications. Each output can be controlled independently and have independent power good. This allows for a multitude of ways to control each output. Typically, the enables to each output are tied together to the input voltage and the outputs ratiometrically ramp up when the input voltage reaches above UVLO rising threshold. There can be instances where the second output (V_{OUT2}) not turning on until the first output (V_{OUT1}) has reached 90% of the desired setpoint is desired. This is easily achieved with an external resistor divider attached from V_{OUT1} to EN_2 , see Figure 7-3.

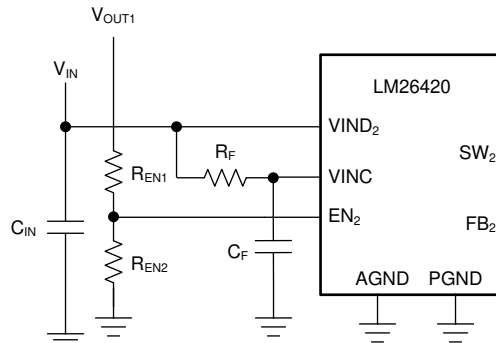


Figure 7-3. V_{OUT1} Controlling V_{OUT2} With Resistor Divider

If having a resistor divider to control V_{OUT2} with V_{OUT1} is not desired, then the PG_1 can be connected to the EN_2 pin to control V_{OUT2} , see Figure 7-4. R_{PG1} is a pullup resistor on the range of $10\ \text{k}\Omega$ to $100\ \text{k}\Omega$. $50\ \text{k}\Omega$ is the suggested value. This turns on V_{OUT2} when V_{OUT1} is approximately 85% of the programmed output.

Note

Using PG_1 to control V_{OUT2} also turns off V_{OUT2} when V_{OUT1} is outside the of the programmed output.

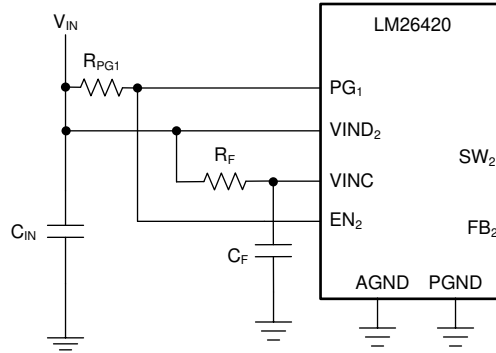


Figure 7-4. PG_1 Controlling V_{OUT2}

Another example is that the output is not to be turned on until the input voltage reaches 90% of desired voltage setpoint. This verifies that the input supply is stable before turning on the output. Select R_{EN1} and R_{EN2} so that the voltage at the EN pin is greater than 1.12 V when reaching the 90% desired set-point.

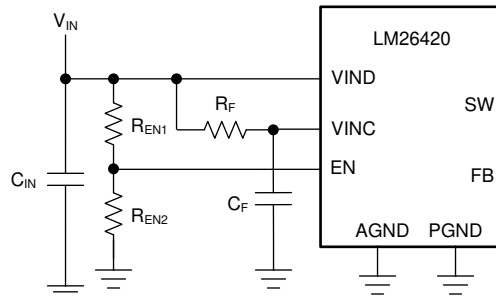


Figure 7-5. V_{in} Controlling V_{OUT}

The power-good feature of the LM26420-Q1 is designed with hysteresis to make sure no false power-good flags are asserted during large transient. After power good is asserted high, power good is not pulled low until the output voltage exceeds $\pm 15\%$ of the setpoint for a duration of approximately $7.5 \mu s$ (typical), see Figure 7-6.

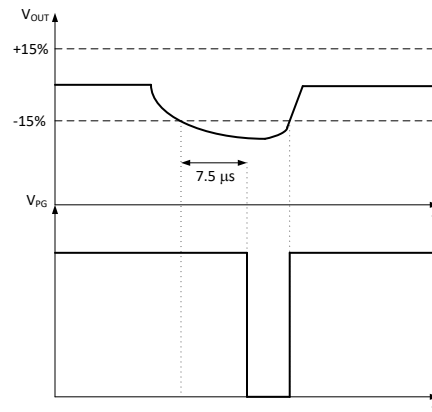


Figure 7-6. Power-Good Hysteresis Operation

7.1.4 Overcurrent Protection for HTSSOP-20 Package

When the switch current reaches the current limit value, the switch current is turned off immediately. This action effectively reduces the duty cycle and therefore the output voltage dips and continues to droop until the output load matches the peak current limit inductor current. As the FB voltage drops below 480 mV, the operating frequency begins to decrease until the operating frequency hits full on frequency foldback, which is set to approximately 300 kHz. Frequency foldback helps reduce the thermal stress in the device by reducing the switching losses and to prevent runaway of the inductor current when the output is shorted to ground.

Note that when recovering from an overcurrent condition, the converter does not go through the soft-start process. There can be an overshoot due to the sudden removal of the overcurrent fault. The reference voltage at the non-inverting input of the error amplifier always sits at 0.8 V during the overcurrent condition, therefore, when the fault is removed, the converter brings the FB voltage back to 0.8 V as quickly as possible. The overshoot depends on whether there is a load on the output after the removal of the overcurrent fault, the size of the inductor, and the amount of capacitance on the output. The smaller the inductor and the larger the capacitance on the output, the smaller the overshoot.

Note

Overcurrent protection for each output is independent.

7.1.5 Current Limit and Short-Circuit Protection for WQFN-16 Package

The converter is not switching with the fixed frequency when the switch current reaches the current limit value. The converter resumes the fixed-frequency operation when the converter leaves current limit condition. If the inductor current exceeds the current limit, I_{CL_TOP} , the TOP switch is turned off and the BOTTOM switch is turned on to ramp down the inductor current. The TOP Switch turns on again only if the current in the BOTTOM Switch has decreased below the low-side current limit, which can cause bursts or single pulses between the high-side and low-side current limit. Due to internal propagation delay, the actual current can exceed the static current limit. The dynamic current limit is given as:

$$I_{peak(typ)} = I_{CL_TOP} + \frac{V_L}{L} \times t_{PD} \quad (5)$$

where

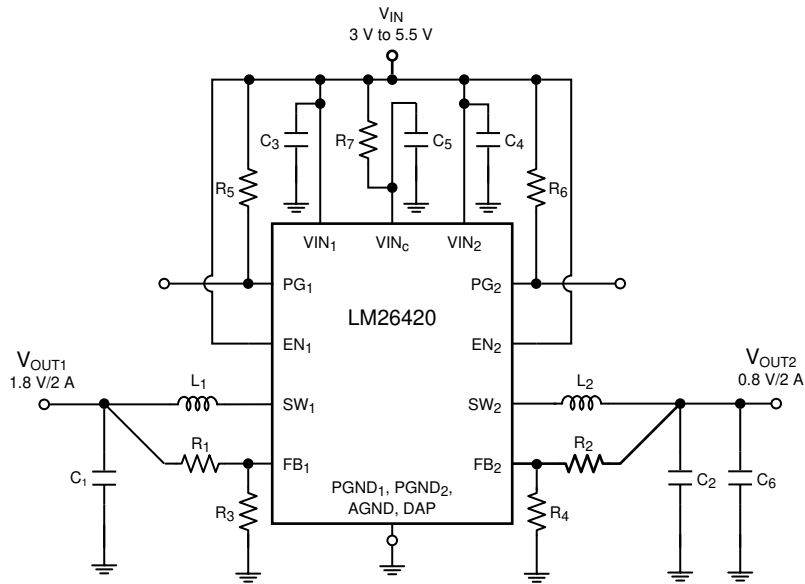
- I_{CL_TOP} is the static current limit as specified in the electrical characteristics.
- L is the effective inductance at the peak current.
- V_L is the voltage across the inductor ($V_{IN} - V_{OUT}$).
- t_{PD} is the internal propagation delay of typically 50 ns.

The current limit can exceed static values, especially if the input voltage is high and very small inductances are used. The dynamic peak current in the TOP Switch can be calculated as follows:

$$I_{peak(typ)} = I_{CL_TOP} + \frac{(V_{IN} - V_{OUT})}{L} \times 50ns \quad (6)$$

7.2 Typical Applications

7.2.1 2.2-MHz, 0.8-V Typical High-Efficiency Application Circuit



Copyright © 2016, Texas Instruments Incorporated

Figure 7-7. LM26420-Q1 (2.2 MHz): $V_{IN} = 5\text{ V}$, $V_{OUT1} = 1.8\text{ V}$ at 2 A and $V_{OUT2} = 0.8\text{ V}$ at 2 A

7.2.1.1 Design Requirements

Example requirements for typical synchronous DC/DC converter applications:

Table 7-1. Design Parameters

| DESIGN PARAMETER | VALUE |
|---------------------|------------------------|
| V_{OUT} | Output voltage |
| V_{IN} (minimum) | Maximum input voltage |
| V_{IN} (maximum) | Minimum input voltage |
| I_{OUT} (maximum) | Maximum output current |
| f_{SW} | Switching frequency |

7.2.1.2 Detailed Design Procedure

7.2.1.2.1 Custom Design With WEBENCH® Tools

[Click here](#) to create a custom design using the LM26420-Q1 device with the WEBENCH® Power Designer.

1. Start by entering the input voltage (V_{IN}), output voltage (V_{OUT}), and output current (I_{OUT}) requirements.
2. Optimize the design for key parameters such as efficiency, footprint, and cost using the optimizer dial.
3. Compare the generated design with other possible solutions from Texas Instruments.

The WEBENCH Power Designer provides a customized schematic along with a list of materials with real-time pricing and component availability.

In most cases, these actions are available:

- Run electrical simulations to see important waveforms and circuit performance
- Run thermal simulations to understand board thermal performance
- Export customized schematic and layout into popular CAD formats
- Print PDF reports for the design, and share the design with colleagues

Get more information about WEBENCH tools at www.ti.com/WBENCH.

Table 7-2. Bill Of Materials

| PART ID | PART VALUE | MANUFACTURER | PART NUMBER |
|---------|-------------------------------|--------------|--------------------|
| U1 | 2-A buck regulator | TI | LM26420-Q1 |
| C3, C4 | 15 μ F, 6.3 V, 1206, X5R | TDK | C3216X5R0J156M |
| C1 | 33 μ F, 6.3 V, 1206, X5R | TDK | C3216X5R0J336M |
| C2, C6 | 22 μ F, 6.3 V, 1206, X5R | TDK | C3216X5R0J226M |
| C5 | 0.47 μ F, 10 V, 0805, X7R | Vishay | VJ0805Y474KXQCW1BC |
| L1 | 1.0 μ H, 7.9 A | TDK | RLF7030T-1R0M6R4 |
| L2 | 0.7 μ H, 3.7 A | Coilcraft | LPS4414-701ML |
| R3, R4 | 10.0 k Ω , 0603, 1% | Vishay | CRCW060310K0F |
| R5, R6 | 49.9 k Ω , 0603, 1% | Vishay | CRCW060649K9F |
| R1 | 12.7 k Ω , 0603, 1% | Vishay | CRCW060312K7F |
| R7, R2 | 4.99 Ω , 0603, 1% | Vishay | CRCW06034R99F |

7.2.1.2.2 Inductor Selection

The duty cycle (D) can be approximated as the ratio of output voltage (V_{OUT}) to input voltage (V_{IN}):

$$D = \frac{V_{OUT}}{V_{IN}} \quad (7)$$

The voltage drop across the internal NMOS (SW_BOT) and PMOS (SW_TOP) must be included to calculate a more accurate duty cycle. Calculate D by using the following formulas:

$$D = \frac{V_{OUT} + V_{SW_BOT}}{V_{IN} + V_{SW_BOT} - V_{SW_TOP}} \quad (8)$$

V_{SW_TOP} and V_{SW_BOT} can be approximated by:

$$V_{SW_TOP} = I_{OUT} \times R_{DSON_TOP} \quad (9)$$

$$V_{SW_BOT} = I_{OUT} \times R_{DSON_BOT} \quad (10)$$

The inductor value determines the output ripple voltage. Smaller inductor values decrease the size of the inductor, but increase the output ripple voltage. An increase in the inductor value decreases the output ripple current.

Make sure that the minimum current limit (2.4 A) is not exceeded, so the peak current in the inductor must be calculated. The peak current (I_{LPK}) in the inductor is calculated by:

$$I_{LPK} = I_{OUT} + \Delta i_L \quad (11)$$

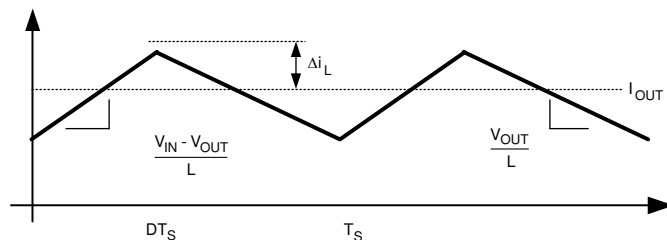


Figure 7-8. Inductor Current

$$\frac{V_{IN} - V_{OUT}}{L} = \frac{2\Delta i_L}{DT_S} \quad (12)$$

In general,

$$\Delta i_L = 0.1 \times (I_{OUT}) \rightarrow 0.2 \times (I_{OUT}) \quad (13)$$

If $\Delta i_L = 20\%$ of 2 A, the peak current in the inductor is 2.4 A. The minimum specified current limit over all operating conditions is 2.4 A. Either reduce Δi_L , or make the engineering judgment that zero margin is safe enough. The typical current limit is 3.3 A.

The LM26420-Q1 operates at frequencies allowing the use of ceramic output capacitors without compromising transient response. Ceramic capacitors allow higher inductor ripple without significantly increasing output ripple voltage. See the [Section 7.2.1.2.4](#) section for more details on calculating output voltage ripple. Now that the ripple current is determined, the inductance is calculated by:

$$L = \left(\frac{DT_s}{2\Delta i_L} \right) \times (V_{IN} - V_{OUT}) \quad (14)$$

where

$$T_s = \frac{1}{f_s} \quad (15)$$

When selecting an inductor, make sure that the inductor is capable of supporting the peak output current without saturating. Inductor saturation results in a sudden reduction in inductance and prevents the regulator from operating correctly. The peak current of the inductor is used to specify the maximum output current of the inductor and saturation is not a concern due to the exceptionally small delay of the internal current limit signal. Ferrite based inductors are preferred to minimize core losses when operating with the frequencies used by the LM26420-Q1. This presents little restriction because the variety of ferrite-based inductors is huge. Lastly, inductors with lower series resistance (R_{DCR}) provides better operating efficiency. For recommended inductors, see [Table 7-2](#).

7.2.1.2.3 Input Capacitor Selection

The input capacitors provide the AC current needed by the nearby power switch so that current provided by the upstream power supply does not carry a lot of AC content, generating less EMI. To the buck regulator in question, the input capacitor also prevents the drain voltage of the FET switch from dipping when the FET is turned on, therefore, providing a healthy line rail for the LM26420-Q1 to work with. Because typically most of the AC current is provided by the local input capacitors, the power loss in those capacitors can be a concern. In the case of the LM26420-Q1 regulator, because the two channels operate 180° out of phase, the AC stress in the input capacitors is less than if operated in phase. The measure for the AC stress is called input ripple RMS current. TI strongly recommends that at least one 10-μF ceramic capacitor be placed next to each of the VIND pins. Bulk capacitors such as electrolytic capacitors or OSCON capacitors can be added to help stabilize the local line voltage, especially during large load transient events. As for the ceramic capacitors, use X7R or X5R types. They maintain most of the capacitance over a wide temperature range. Try to avoid sizes smaller than 0805. Otherwise significant drop in capacitance can be caused by the DC bias voltage. See the [Section 7.2.1.2.4](#) section for more information. The DC voltage rating of the ceramic capacitor must be higher than the highest input voltage.

Capacitor temperature is a major concern in board designs. While using a 10-μF or higher MLCC as the input capacitor is a good starting point, check the temperature in the real thermal environment to make sure the capacitors are not overheated. Capacitor vendors can provide curves of ripple RMS current versus temperature rise based on a designated thermal impedance. In reality, the thermal impedance can be very different, so checking the capacitor temperature on the board is always a good idea

Because the duty cycles of the two channels can overlap, calculation of the input ripple RMS current is a little tedious — use [Equation 16](#):

$$I_{irms} = \sqrt{(I_1 - I_{av})^2 d1 + (I_2 - I_{av})^2 d2 + (I_1 + I_2 - I_{av})^2 d3} \quad (16)$$

where

- I_1 is the maximum output current of Channel 1
- I_2 is the maximum output current of Channel 2
- $d1$ is the non-overlapping portion of the duty cycle, D_1 , of Channel 1
- $d2$ is the non-overlapping portion of the duty cycle, D_2 , of Channel 2
- $d3$ is the overlapping portion of the two duty cycles
- I_{av} is the average input current

$I_{av} = I_1 \times D_1 + I_2 \times D_2$. To quickly determine the values of d_1 , d_2 , and d_3 , refer to the decision tree in [Figure 7-9](#). To determine the duty cycle of each channel, use $D = V_{OUT} / V_{IN}$ for a quick result or use [Equation 17](#) for a more accurate result.

$$D = \frac{V_{OUT} + V_{SW_BOT} + I_{OUT} \times R_{DC}}{V_{IN} + V_{SW_BOT} - V_{SW_TOP}} \quad (17)$$

where

- R_{DC} is the winding resistance of the inductor

Example:

- $V_{IN} = 5 \text{ V}$
- $V_{OUT1} = 3.3 \text{ V}$
- $I_{OUT1} = 2 \text{ A}$
- $V_{OUT2} = 1.2 \text{ V}$
- $I_{OUT2} = 1.5 \text{ A}$
- $R_{DS} = 170 \text{ m}\Omega$
- $R_{DC} = 30 \text{ m}\Omega$

I_{OUT1} is the same as I_1 in the input ripple RMS current equation and I_{OUT2} is the same as I_2 .

First, find out the duty cycles. Plug the numbers into the duty cycle equation and get $D1 = 0.75$, and $D2 = 0.33$. Next, follow the decision tree in [Figure 7-9](#) to find out the values of d_1 , d_2 , and d_3 . In this case, $d_1 = 0.5$, $d_2 = D2 + 0.5 - D1 = 0.08$, and $d_3 = D1 - 0.5 = 0.25$. $I_{av} = I_{OUT1} \times D1 + I_{OUT2} \times D2 = 1.995 \text{ A}$. Plug all the numbers into the input ripple RMS current equation and the result is $I_{IR(rms)} = 0.77 \text{ A}$.

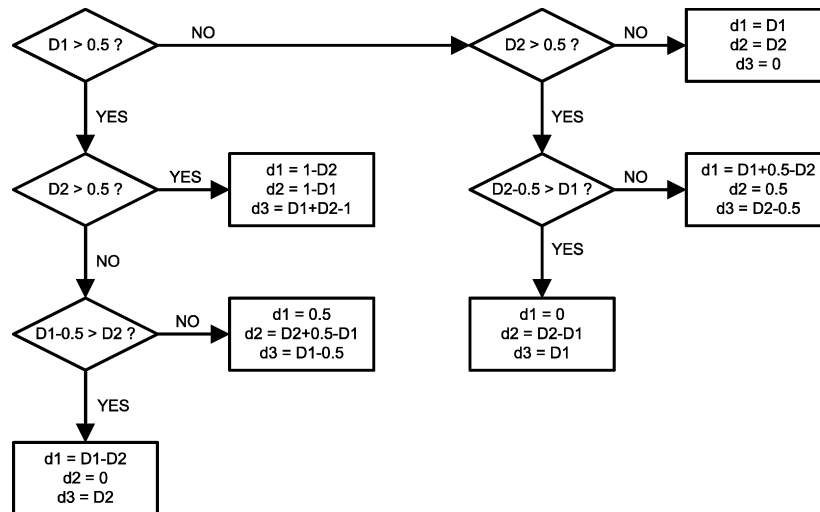


Figure 7-9. Determining D1, D2, and D3

7.2.1.2.4 Output Capacitor

The output capacitor is selected based upon the desired output ripple and transient response. The initial current of a load transient is provided mainly by the output capacitor. The output ripple of the converter is approximately:

$$\Delta V_{OUT} = \Delta I_L \left(R_{ESR} + \frac{1}{8 \times F_{SW} \times C_{OUT}} \right) \quad (18)$$

When using MLCCs, the ESR is typically so low that the capacitive ripple can dominate. When this occurs, the output ripple is approximately sinusoidal and 90° phase shifted from the switching action. Given the availability and quality of MLCCs and the expected output voltage of designs using the LM26420-Q1, there is really no

need to review any other capacitor technologies. Another benefit of ceramic capacitors is the ability to bypass high frequency noise. A certain amount of switching edge noise couples through parasitic capacitances in the inductor to the output. A ceramic capacitor bypasses this noise while a tantalum capacitor does not. Because the output capacitor is one of the two external components that control the stability of the regulator control loop, most applications require a minimum of 22 μF of output capacitance. Capacitance often, but not always, can be increased significantly with little detriment to the regulator stability. Like the input capacitor, recommended multilayer ceramic capacitors are X7R or X5R types.

7.2.1.2.5 Calculating Efficiency and Junction Temperature

The complete LM26420-Q1 DC/DC converter efficiency can be estimated in the following manner.

$$\eta = \frac{P_{\text{OUT}}}{P_{\text{IN}}} \quad (19)$$

or

$$\eta = \frac{P_{\text{OUT}}}{P_{\text{OUT}} + P_{\text{LOSS}}} \quad (20)$$

The following equations show the calculations for determining the most significant power losses. Other losses totaling less than 2% are not discussed.

Power loss (P_{LOSS}) is the sum of two basic types of losses in the converter: switching and conduction. Conduction losses usually dominate at higher output loads, whereas switching losses remain relatively fixed and dominate at lower output loads. The first step in determining the losses is to calculate the duty cycle (D):

$$D = \frac{V_{\text{OUT}} + V_{\text{SW_BOT}}}{V_{\text{IN}} + V_{\text{SW_BOT}} - V_{\text{SW_TOP}}} \quad (21)$$

$V_{\text{SW_TOP}}$ is the voltage drop across the internal PFET when on, and is equal to:

$$V_{\text{SW_TOP}} = I_{\text{OUT}} \times R_{\text{DSON_TOP}} \quad (22)$$

$V_{\text{SW_BOT}}$ is the voltage drop across the internal NFET when on, and is equal to:

$$V_{\text{SW_BOT}} = I_{\text{OUT}} \times R_{\text{DSON_BOT}} \quad (23)$$

If the voltage drop across the inductor (V_{DCR}) is accounted for, the equation becomes:

$$D = \frac{V_{\text{OUT}} + V_{\text{SW_BOT}} + V_{\text{DCR}}}{V_{\text{IN}} + V_{\text{SW_BOT}} + V_{\text{DCR}} - V_{\text{SW_TOP}}} \quad (24)$$

Another significant external power loss is the conduction loss in the output inductor. The equation can be simplified to:

$$P_{\text{IND}} = I_{\text{OUT}}^2 \times R_{\text{DCR}} \quad (25)$$

The LM26420-Q1 conduction loss is mainly associated with the two internal FETs:

$$P_{\text{COND_TOP}} = (I_{\text{OUT}}^2 \times D) \left(1 + \frac{1}{3} \times \left(\frac{\Delta i_{\text{L}}}{I_{\text{OUT}}} \right)^2 \right) R_{\text{DSON_TOP}}$$

$$P_{\text{COND_BOT}} = (I_{\text{OUT}}^2 \times (1-D)) \left(1 + \frac{1}{3} \times \left(\frac{\Delta i_{\text{L}}}{I_{\text{OUT}}} \right)^2 \right) R_{\text{DSON_BOT}} \quad (26)$$

If the inductor ripple current is fairly small, the conduction losses can be simplified to:

$$P_{\text{COND_TOP}} = (I_{\text{OUT}}^2 \times R_{\text{DSON_TOP}} \times D) \quad (27)$$

$$P_{\text{COND_BOT}} = (I_{\text{OUT}}^2 \times R_{\text{DSON_BOT}} \times (1-D)) \quad (28)$$

$$P_{\text{COND}} = P_{\text{COND_TOP}} + P_{\text{COND_BOT}} \quad (29)$$

Switching losses are also associated with the internal FETs. Switching losses occur during the switch on and off transition periods, where voltages and currents overlap, resulting in power loss. The simplest means to determine this loss is empirically measuring the rise and fall times (10% to 90%) of the switch at the switch node.

Switching Power Loss is calculated as follows:

$$P_{\text{SWR}} = 1/2(V_{\text{IN}} \times I_{\text{OUT}} \times F_{\text{SW}} \times T_{\text{RISE}}) \quad (30)$$

$$P_{\text{SWF}} = 1/2(V_{\text{IN}} \times I_{\text{OUT}} \times F_{\text{SW}} \times T_{\text{FALL}}) \quad (31)$$

$$P_{\text{SW}} = P_{\text{SWR}} + P_{\text{SWF}} \quad (32)$$

Another loss is the power required for operation of the internal circuitry:

$$P_{\text{Q}} = I_{\text{Q}} \times V_{\text{IN}} \quad (33)$$

I_{Q} is the quiescent operating current, and is typically around 8.4 mA ($I_{\text{QVINC}} = 4.7 \text{ mA} + I_{\text{QVIND}} = 3.7 \text{ mA}$) for the 2.2-MHz frequency option.

Due to Dead-Time-Control Logic in the converter, there is a small delay (approximately 4 ns) between the turn ON and OFF of the TOP and BOTTOM FET. During this time, the body diode of the BOTTOM FET is conducting with a voltage drop of V_{BDIODE} (approximately 0.65 V). This allows the inductor current to circulate to the output, until the BOTTOM FET is turned ON and the inductor current passes through the FET. There is a small amount of power loss due to this body diode conducting and can be calculated as follows:

$$P_{\text{BDIODE}} = 2 \times (V_{\text{BDIODE}} \times I_{\text{OUT}} \times F_{\text{SW}} \times T_{\text{BDIODE}}) \quad (34)$$

Typical Application power losses are:

$$P_{\text{LOSS}} = \Sigma P_{\text{COND}} + P_{\text{SW}} + P_{\text{BDIODE}} + P_{\text{IND}} + P_{\text{Q}} \quad (35)$$

$$P_{\text{INTERNAL}} = \Sigma P_{\text{COND}} + P_{\text{SW}} + P_{\text{BDIODE}} + P_{\text{Q}} \quad (36)$$

Table 7-3. Power Loss Tabulation

| DESIGN PARAMETER | VALUE | DESIGN PARAMETER | VALUE |
|---------------------------|---------------|------------------------|--------|
| V_{IN} | 5 V | V_{OUT} | 1.2 V |
| I_{OUT} | 2 A | P_{OUT} | 2.4 W |
| F_{SW} | 2.2 MHz | | |
| V_{BDIODE} | 0.65 V | P_{BDIODE} | 5.7 mW |
| I_{Q} | 8.4 mA | P_{Q} | 42 mW |
| T_{RISE} | 1.5 ns | P_{SWR} | 4.1 mW |
| T_{FALL} | 1.5 ns | P_{SWF} | 4.1 mW |
| $R_{\text{DSON_TOP}}$ | 75 m Ω | $P_{\text{COND_TOP}}$ | 81 mW |
| $R_{\text{DSON_BOT}}$ | 55 m Ω | $P_{\text{COND_BOT}}$ | 167 mW |
| IND_{DCR} | 20 m Ω | P_{IND} | 80 mW |
| D | 0.262 | P_{LOSS} | 384 mW |
| η | 86.2% | P_{INTERNAL} | 304 mW |

These calculations assume a junction temperature of 25°C. The $R_{DS(ON)}$ values are larger due to internal heating; therefore, the internal power loss ($P_{INTERNAL}$) must be first calculated to estimate the rise in junction temperature.

7.2.1.3 Application Curves

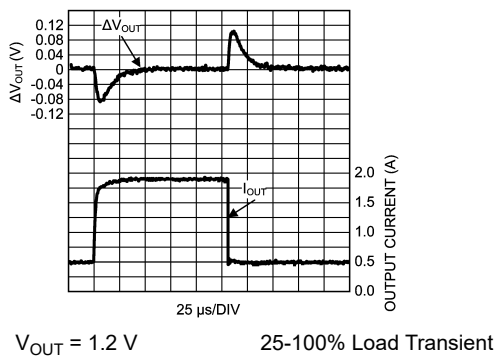


Figure 7-10. Load Transient Response

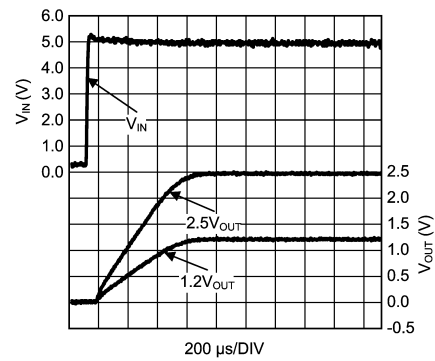


Figure 7-11. Start-Up (Soft Start)

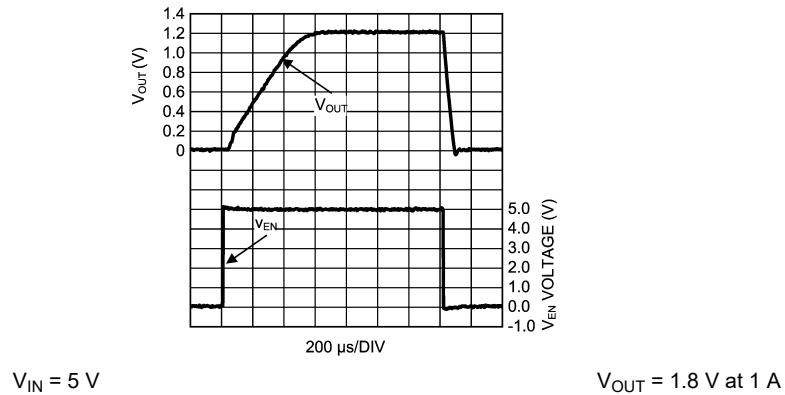
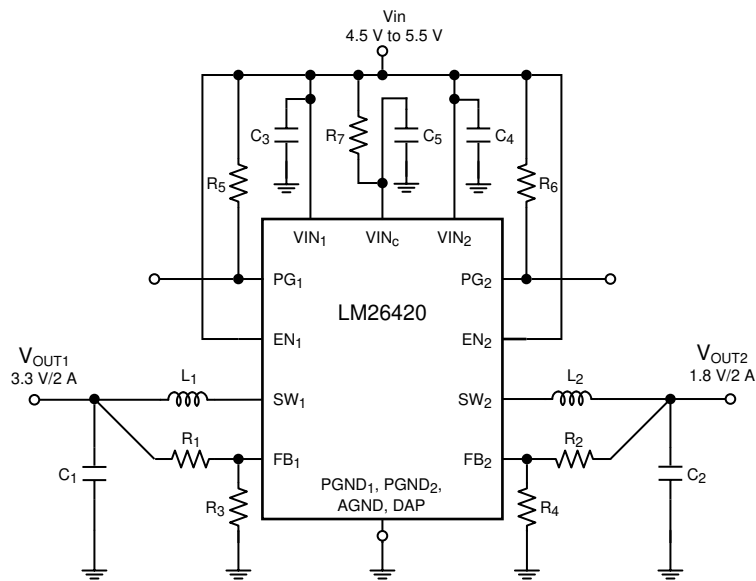


Figure 7-12. Enable - Disable

7.2.2 2.2-MHz, 1.8-V Typical High-Efficiency Application Circuit



Copyright © 2016, Texas Instruments Incorporated

Figure 7-13. LM26420-Q1 (2.2 MHz): $V_{IN} = 5\text{ V}$, $V_{OUT1} = 3.3\text{ V}$ at 2 A and $V_{OUT2} = 1.8\text{ V}$ at 2 A

7.2.2.1 Design Requirements

See [Section 7.2.1.1](#) above.

7.2.2.2 Detailed Design Procedure

Table 7-4. Bill Of Materials

| PART ID | PART VALUE | MANUFACTURER | PART NUMBER |
|---------|--------------------------------------|--------------|--------------------|
| U1 | 2-A Buck Regulator | TI | LM26420-Q1 |
| C3, C4 | 15 μF , 6.3 V, 1206, X5R | TDK | C3216X5R0J156M |
| C1 | 22 μF , 6.3 V, 1206, X5R | TDK | C3216X5R0J226M |
| C2 | 33 μF , 6.3 V, 1206, X5R | TDK | C3216X5R0J336M |
| C5 | 0.47 μF , 10 V, 0805, X7R | Vishay | VJ0805Y474KXQCW1BC |
| L1, L2 | 1.0 μH , 7.9 A | TDK | RLF7030T-1R0M6R4 |
| R3, R4 | 10.0 k Ω , 0603, 1% | Vishay | CRCW060310K0F |
| R2 | 12.7 k Ω , 0603, 1% | Vishay | CRCW060312K7F |
| R5, R6 | 49.9 k Ω , 0603, 1% | Vishay | CRCW060649K9F |
| R1 | 31.6 k Ω , 0603, 1% | Vishay | CRCW060331K6F |
| R7 | 4.99 Ω , 0603, 1% | Vishay | CRCW06034R99F |

Also see [Section 7.2.1.2](#) above.

7.2.2.3 Application Curves

See [Section 7.2.1.3](#) above.

7.2.3 LM26420-Q1 2.2-MHz, 2.5-V Typical High-Efficiency Application Circuit

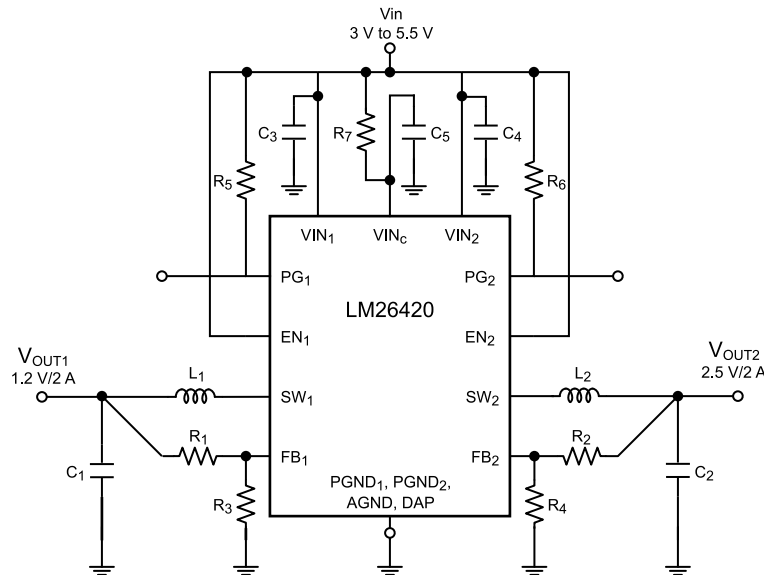


Figure 7-14. LM26420-Q1 (2.2 MHz): $V_{IN} = 5\text{ V}$, $V_{OUT1} = 1.2\text{ V}$ at 2 A and $V_{OUT2} = 2.5\text{ V}$ at 2 A

7.2.3.1 Design Requirements

See [Section 7.2.1.1](#) above.

7.2.3.2 Detailed Design Procedure

Table 7-5. Bill Of Materials

| PART ID | PART VALUE | MANUFACTURER | PART NUMBER |
|---------|--------------------------------------|--------------|--------------------|
| U1 | 2-A buck regulator | TI | LM26420-Q1 |
| C3, C4 | 15 μF , 6.3 V, 1206, X5R | TDK | C3216X5R0J156M |
| C1 | 33 μF , 6.3 V, 1206, X5R | TDK | C3216X5R0J336M |
| C2 | 22 μF , 6.3 V, 1206, X5R | TDK | C3216X5R0J226M |
| C5 | 0.47 μF , 10 V, 0805, X7R | Vishay | VJ0805Y474KXQCW1BC |
| L1 | 1.0 μH , 7.9A | TDK | RLF7030T-1R0M6R4 |
| L2 | 1.5 μH , 6.5A | TDK | RLF7030T-1R5M6R1 |
| R3, R4 | 10.0 k Ω , 0603, 1% | Vishay | CRCW060310K0F |
| R1 | 4.99 k Ω , 0603, 1% | Vishay | CRCW06034K99F |
| R5, R6 | 49.9 k Ω , 0603, 1% | Vishay | CRCW060649K9F |
| R2 | 21.5 k Ω , 0603, 1% | Vishay | CRCW060321K5F |
| R7 | 4.99 Ω , 0603, 1% | Vishay | CRCW06034R99F |

Also see [Section 7.2.1.2](#) above.

7.2.3.3 Application Curves

See [Section 7.2.1.3](#) above.

7.3 Power Supply Recommendations

The LM26420-Q1 is designed to operate from an input voltage supply range between 3 V and 5.5 V. This input supply must be well regulated and able to withstand maximum input current and maintain a stable voltage. The resistance of the input supply rail must be low enough that an input current transient does not cause a high enough drop at the LM26420-Q1 supply voltage that can cause a false UVLO fault triggering and system reset. If the input supply is located more than a few inches from the LM26420-Q1, additional bulk capacitance can be required in addition to the ceramic bypass capacitors. The amount of bulk capacitance is not critical, but a 47- μ F or 100- μ F electrolytic capacitor is a typical choice.

7.3.1 Power Supply Recommendations - HTSSOP-20 Package

The LM26420-Q1 contains a high-side PMOS FET and a low-side NMOS FET for each channel, as shown in Figure 7-15. The source nodes of the high-side PMOS FETs are connected to $VIND_1$ and $VIND_2$, respectively. $VINC$ is the power source for the high-side and low-side gate drivers. Ideally, $VINC$ is connected to $VIND_1$ and $VIND_2$ by an RC filter as detailed in Section 7.1.2. If $VINC$ is allowed to be lower than $VIND_1$ or $VIND_2$, the high-side PMOS FETs can be turned on regardless of the state of the respective gate drivers. Under this condition, shoot through occurs when the low-side NMOS FET is turned on and permanent damage can result. When applying input voltage to $VINC$, $VIND_1$, and $VIND_2$, $VINC$ must not be less than $VIND_{1,2} - V_{TH}$ to avoid shoot through and FET damage.

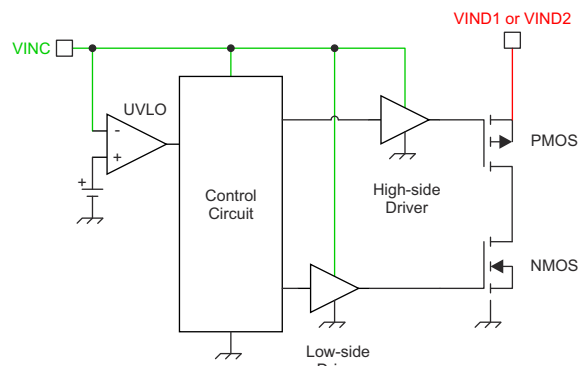


Figure 7-15. $VINC$, $VIND_1$, and $VIND_2$ Connection

7.3.2 Power Supply Recommendations - WQFN-16 Package

The LM26420-Q1 contains a high-side NMOS FET and a low-side NMOS FET for each channel. The drain nodes of the high-side NMOS FET, the supply for the gate drivers and the supply for control circuitry for each channel are connected to $VIND_1$ and $VIND_2$, respectively.

7.4 Layout

7.4.1 Layout Guidelines

When planning layout there are a few things to consider when trying to achieve a clean, regulated output. The most important consideration is the close coupling of the GND connections of the input capacitor and the PGND pin. These ground ends must be close to one another and be connected to the GND plane with at least two through-holes. Place these components as close to the device as possible. Next in importance is the location of the GND connection of the output capacitor, which must be near the GND connections of $VIND$ and PGND. There must be a continuous ground plane on the bottom layer of a two-layer board except under the switching node island. The FB pin is a high impedance node, and care must be taken to make the FB trace short to avoid noise pickup and inaccurate regulation. The feedback resistors must be placed as close to the device as possible, with the GND of R1 placed as close to the GND of the device as possible. The VOUT trace to R2 must be routed away from the inductor and any other traces that are switching. High AC currents flow through the VIN, SW, and VOUT traces, so the high AC must be as short and wide as possible. However, making the traces wide increases radiated noise, so the designer must make this trade-off. Radiated noise can be decreased by choosing a shielded inductor. The remaining components must also be placed as close as possible to the

device. See [AN-1229 SIMPLE SWITCHER® PCB Layout Guidelines](#) application note for further considerations, and the LM26420-Q1 demo board as an example of a four-layer layout.

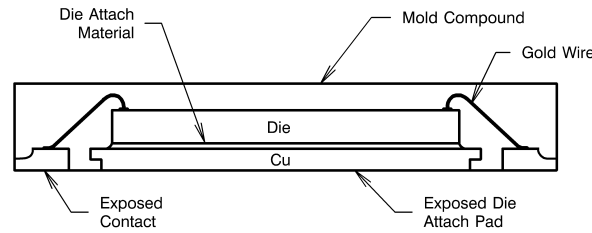


Figure 7-16. Internal Connection

For certain high power applications, the PCB land can be modified to a *dog bone* shape (see [Figure 7-17](#)). By increasing the size of ground plane, and adding thermal vias, the $R_{\theta JA}$ for the application can be reduced.

7.4.2 Layout Example

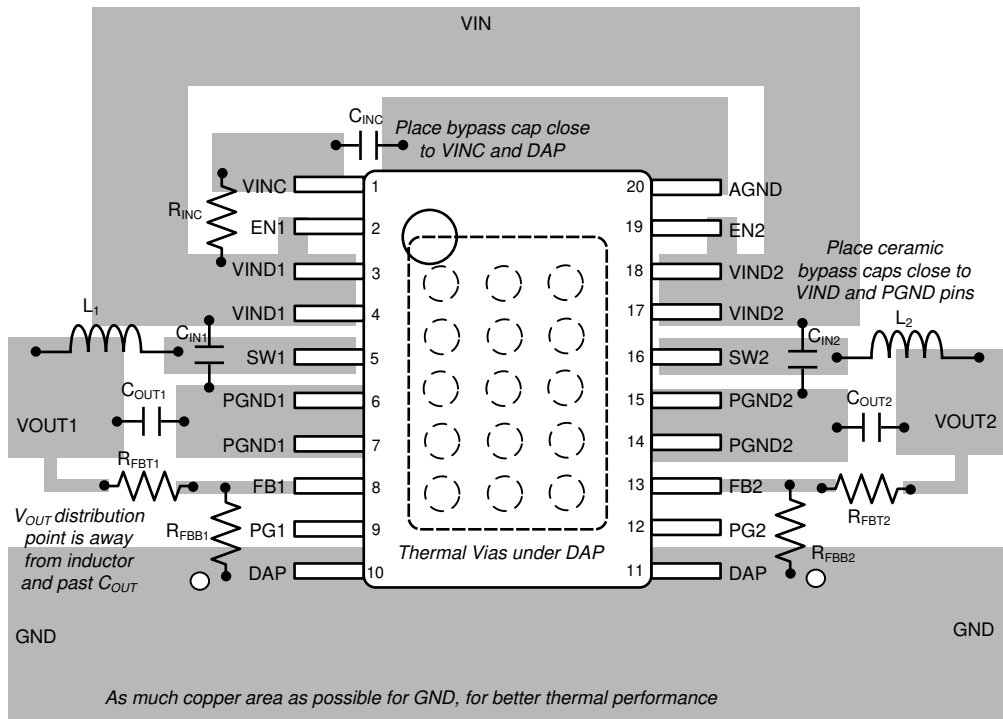


Figure 7-17. Typical Layout For DC/DC Converter

7.4.3 Thermal Considerations

T_J = Chip junction temperature

T_A = Ambient temperature

$R_{\theta JC}$ = Thermal resistance from chip junction to device case

$R_{\theta JA}$ = Thermal resistance from chip junction to ambient air

Heat in the LM26420-Q1 due to internal power dissipation is removed through conduction and/or convection.

Conduction: Heat transfer occurs through cross sectional areas of material. Depending on the material, the transfer of heat can be considered to have poor to good thermal conductivity properties (insulator vs conductor).

Heat Transfer goes as:

Silicon → package → lead frame → PCB

Convection: Heat transfer is by means of airflow. This can be from a fan or natural convection. Natural convection occurs when air currents rise from the hot device to cooler air.

Thermal impedance is defined as:

$$R_{\theta} = \frac{\Delta T}{\text{Power}} \quad (37)$$

Thermal impedance from the silicon junction to the ambient air is defined as:

$$R_{\theta JA} = \frac{T_J - T_A}{P_{\text{INTERNAL}}} \quad (38)$$

The PCB size, weight of copper used to route traces and ground plane, and number of layers within the PCB can greatly affect $R_{\theta JA}$. The type and number of thermal vias can also make a large difference in the thermal impedance. Thermal vias are necessary in most applications. Thermal vias conduct heat from the surface of the PCB to the ground plane. Five to eight thermal vias must be placed under the exposed pad to the ground plane if the WQFN package is used. Up to 12 thermal vias must be used in the HTSSOP-20 package for optimum heat transfer from the device to the ground plane.

Thermal impedance also depends on the thermal properties of the application operating conditions (V_{IN} , V_{OUT} , I_{OUT} , and so forth), and the surrounding circuitry.

7.4.3.1 Method 1: Silicon Junction Temperature Determination

To accurately measure the silicon temperature for a given application, two methods can be used. The first method requires the user to know the thermal impedance of the silicon junction to top case temperature.

Some clarification needs to be made before we go any further.

$R_{\theta JC}$ is the thermal impedance from silicon junction to the exposed pad.

$R_{\theta JT}$ is the thermal impedance from top case to the silicon junction.

In this data sheet, $R_{\theta JT}$ is used so that $R_{\theta JT}$ allows the user to measure top case temperature with a small thermocouple attached to the top case.

$R_{\theta JT}$ is approximately 20°C/W for the 16-pin WQFN package with the exposed pad. Knowing the internal dissipation from the efficiency calculation given previously, and the case temperature, which can be empirically measured on the bench we have:

$$R_{\theta JT} = \frac{T_J - T_T}{P_{\text{INTERNAL}}} \quad (39)$$

Therefore:

$$T_J = (R_{\theta JT} \times P_{\text{INTERNAL}}) + T_C \quad (40)$$

From the previous example:

$$T_J = 20^\circ\text{C/W} \times 0.304\text{W} + T_C \quad (41)$$

7.4.3.2 Thermal Shutdown Temperature Determination

The second method, although more complicated, can give a very accurate silicon junction temperature.

The first step is to determine $R_{\theta JA}$ of the application. The LM26420-Q1 has over-temperature protection circuitry. When the silicon temperature reaches 165°C, the device stops switching. The protection circuitry has

a hysteresis of about 15°C. After the silicon junction temperature has decreased to approximately 150°C, the device starts to switch again. Knowing this, the $R_{\theta JA}$ for any application can be characterized during the early stages of the design one can calculate the $R_{\theta JA}$ by placing the PCB circuit into a thermal chamber. Raise the ambient temperature in the given working application until the circuit enters thermal shutdown. If the SW pin is monitored, when the internal FETs stop switching is obvious, indicating a junction temperature of 165°C. Knowing the internal power dissipation from the above methods, the junction temperature, and the ambient temperature $R_{\theta JA}$ can be determined.

$$R_{\theta JA} = \frac{165^{\circ} - T_A}{P_{INTERNAL}} \quad (42)$$

After determined, the maximum ambient temperature allowed for a desired junction temperature can be found.

An example of calculating $R_{\theta JA}$ for an application using the LM26420-Q1 WQFN demonstration board is shown below.

The four layer PCB is constructed using FR4 with 1 oz copper traces. The copper ground plane is on the bottom layer. The ground plane is accessed by eight vias. The board measures 3 cm × 3 cm. It was placed in an oven with no forced airflow. The ambient temperature was raised to 152°C, and at that temperature, the device went into thermal shutdown.

From the previous example:

$$P_{INTERNAL} = 304 \text{ mW} \quad (43)$$

$$R_{\theta JA} = \frac{165^{\circ}\text{C} - 152^{\circ}\text{C}}{304 \text{ mW}} = 42.8^{\circ} \text{ C/W} \quad (44)$$

If the junction temperature is to be kept below 125°C, then the ambient temperature can not go above 112°C.

$$T_J - (R_{\theta JA} \times P_{INTERNAL}) = T_A \quad (45)$$

$$125^{\circ}\text{C} - (42.8^{\circ}\text{C/W} \times 304 \text{ mW}) = 112.0^{\circ}\text{C} \quad (46)$$

8 Device and Documentation Support

8.1 Device Support

8.1.1 Third-Party Products Disclaimer

TI'S PUBLICATION OF INFORMATION REGARDING THIRD-PARTY PRODUCTS OR SERVICES DOES NOT CONSTITUTE AN ENDORSEMENT REGARDING THE SUITABILITY OF SUCH PRODUCTS OR SERVICES OR A WARRANTY, REPRESENTATION OR ENDORSEMENT OF SUCH PRODUCTS OR SERVICES, EITHER ALONE OR IN COMBINATION WITH ANY TI PRODUCT OR SERVICE.

8.1.2 Custom Design With WEBENCH® Tools

[Click here](#) to create a custom design using the LM26420-Q1 device with the WEBENCH® Power Designer.

1. Start by entering the input voltage (V_{IN}), output voltage (V_{OUT}), and output current (I_{OUT}) requirements.
2. Optimize the design for key parameters such as efficiency, footprint, and cost using the optimizer dial.
3. Compare the generated design with other possible solutions from Texas Instruments.

The WEBENCH Power Designer provides a customized schematic along with a list of materials with real-time pricing and component availability.

In most cases, these actions are available:

- Run electrical simulations to see important waveforms and circuit performance
- Run thermal simulations to understand board thermal performance
- Export customized schematic and layout into popular CAD formats
- Print PDF reports for the design, and share the design with colleagues

Get more information about WEBENCH tools at www.ti.com/WEBENCH.

8.2 Documentation Support

8.2.1 Related Documentation

Texas Instruments, [AN-1229 SIMPLE SWITCHER® PCB Layout Guidelines application note](#)

8.3 Receiving Notification of Documentation Updates

To receive notification of documentation updates, navigate to the device product folder on ti.com. Click on *Notifications* to register and receive a weekly digest of any product information that has changed. For change details, review the revision history included in any revised document.

8.4 Support Resources

[TI E2E™ support forums](#) are an engineer's go-to source for fast, verified answers and design help — straight from the experts. Search existing answers or ask your own question to get the quick design help you need.

Linked content is provided "AS IS" by the respective contributors. They do not constitute TI specifications and do not necessarily reflect TI's views; see TI's [Terms of Use](#).

8.5 Trademarks

TI E2E™ is a trademark of Texas Instruments.

WEBENCH® is a registered trademark of Texas Instruments.

All trademarks are the property of their respective owners.

8.6 Electrostatic Discharge Caution



This integrated circuit can be damaged by ESD. Texas Instruments recommends that all integrated circuits be handled with appropriate precautions. Failure to observe proper handling and installation procedures can cause damage.

ESD damage can range from subtle performance degradation to complete device failure. Precision integrated circuits may be more susceptible to damage because very small parametric changes could cause the device not to meet its published specifications.

8.7 Glossary

[TI Glossary](#) This glossary lists and explains terms, acronyms, and definitions.

9 Revision History

NOTE: Page numbers for previous revisions may differ from page numbers in the current version.

| Changes from Revision B (June 2020) to Revision C (November 2024) | Page |
|---|-------------|
| • Updated the numbering format for tables, figures, and cross-references throughout the document..... | 1 |
| • Changed PMOS and NMOS into MOS throughout the document..... | 1 |
| • Changed Parameter UVLO V_{IN} Rising for WQFN-16 Package: TYP value from 2.628V to 2.75V | 6 |
| • Changed Parameter UVLO V_{IN} Falling for WQFN-16 Package: TYP value from 2.3V to 2.5V. | 6 |
| • Changed Parameter UVLO hysteresis for WQFN-16 Package: TYP value from 330mV to 260mV | 6 |
| • Added HTSSOP-20 Package to TEST CONDITIONS for Parameter F_{FB} | 6 |
| • Changed Parameter I_{CL_BOT} for WQFN-16 Package: TYP value from 0.75A to 1.0A..... | 6 |
| • Changed parameter I_{QVINC} VINC Quiescent Current (non-switching) with both outputs on: TEST CONDITION V_{FB} from 0.9V to 0.95V | 6 |
| • Changed Parameter I_{QVIND} VIND Quiescent Current (non-switching): TEST CONDITION V_{FB} from 0.9V to 0.95V..... | 6 |
| • Updated the power-good thresholds in the functional block diagram for the HTSSOP-20 package to match with electrical characteristics..... | 13 |
| • Added functional block diagram for the WQFN-16 package..... | 13 |
| • Added typical undervoltage lockout threshold values for the WQFN-16 package..... | 15 |
| • Changed $\pm 10\%$ into $\pm 15\%$ in the note which describes the usage of PG_1 to control V_{OUT2} | 17 |
| • Changed $\pm 14\%$ into $\pm 15\%$ in the sentence describing the power-good threshold..... | 17 |
| • Updated Figure 7-6 | 17 |
| • Updated the title of section to <i>Current Limit and Short-Circuit Protection for HTSSOP-20 Package</i> | 19 |
| • Added new section, <i>Current Limit and Short-Circuit Protection for WQFN-16 Package</i> | 19 |
| • Added C6 in Figure 7-7 in accordance with Table 7-2 | 20 |
| • Changed V_{OUT2} in Figure 7-7 from 1.8V into 0.8V..... | 20 |
| • Changed V_{OUT1} in Figure 7-7 from 3.3V into 1.8V..... | 20 |
| • Changed minimum for V_{IN} in Figure 7-7 from 4.5V into 3V | 20 |
| • Changed 550 kHz into 2.2MHz in the sentence describing internal power-loss calculation and in Table 7-3 . | 25 |
| • Added separate <i>Power Supply Recommendations</i> sub-sections for HTSSOP-20 package and WQFN-16 package..... | 30 |

| Changes from Revision A (July 2019) to Revision B (June 2020) | Page |
|---|-------------|
| • Added functional safety bullet in the Section 1 | 1 |

10 Mechanical, Packaging, and Orderable Information

The following pages include mechanical, packaging, and orderable information. This information is the most current data available for the designated devices. This data is subject to change without notice and revision of this document. For browser-based versions of this data sheet, refer to the left-hand navigation.

PACKAGING INFORMATION

| Orderable part number | Status (1) | Material type (2) | Package Pins | Package qty Carrier | RoHS (3) | Lead finish/ Ball material (4) | MSL rating/ Peak reflow (5) | Op temp (°C) | Part marking (6) |
|------------------------------------|---------------|----------------------|-------------------|-----------------------|-------------|--------------------------------------|-----------------------------------|--------------|---------------------|
| LM26420Q0XMH/NOPB | Active | Production | HTSSOP (PWP) 20 | 73 TUBE | Yes | SN | Level-1-260C-UNLIM | -40 to 125 | LM26420 Q0XMH |
| LM26420Q0XMH/NOPB.A | Active | Production | HTSSOP (PWP) 20 | 73 TUBE | Yes | SN | Level-1-260C-UNLIM | -40 to 125 | LM26420 Q0XMH |
| LM26420Q0XMHX/NOPB | Active | Production | HTSSOP (PWP) 20 | 2500 LARGE T&R | Yes | SN | Level-1-260C-UNLIM | -40 to 125 | LM26420 Q0XMH |
| LM26420Q0XMHX/NOPB.A | Active | Production | HTSSOP (PWP) 20 | 2500 LARGE T&R | Yes | SN | Level-1-260C-UNLIM | -40 to 125 | LM26420 Q0XMH |
| LM26420Q1XMH/NOPB | Active | Production | HTSSOP (PWP) 20 | 73 TUBE | Yes | SN | Level-1-260C-UNLIM | -40 to 125 | LM26420 Q1XMH |
| LM26420Q1XMH/NOPB.A | Active | Production | HTSSOP (PWP) 20 | 73 TUBE | Yes | SN | Level-1-260C-UNLIM | -40 to 125 | LM26420 Q1XMH |
| LM26420Q1XMHX/NOPB | Active | Production | HTSSOP (PWP) 20 | 2500 LARGE T&R | Yes | SN | Level-1-260C-UNLIM | -40 to 125 | LM26420 Q1XMH |
| LM26420Q1XMHX/NOPB.A | Active | Production | HTSSOP (PWP) 20 | 2500 LARGE T&R | Yes | SN | Level-1-260C-UNLIM | -40 to 125 | LM26420 Q1XMH |
| LM26420Q1XSQ/NOPB | Active | Production | WQFN (RUM) 16 | 1000 SMALL T&R | Yes | SN | Level-3-260C-168 HR | -40 to 125 | L26420Q |
| LM26420Q1XSQ/NOPB.A | Active | Production | WQFN (RUM) 16 | 1000 SMALL T&R | Yes | SN | Level-3-260C-168 HR | -40 to 125 | L26420Q |
| LM26420Q1XSQX/NOPB | Active | Production | WQFN (RUM) 16 | 4500 LARGE T&R | Yes | SN | Level-3-260C-168 HR | -40 to 125 | L26420Q |
| LM26420Q1XSQX/NOPB.A | Active | Production | WQFN (RUM) 16 | 4500 LARGE T&R | Yes | SN | Level-3-260C-168 HR | -40 to 125 | L26420Q |

(1) **Status:** For more details on status, see our [product life cycle](#).

(2) **Material type:** When designated, preproduction parts are prototypes/experimental devices, and are not yet approved or released for full production. Testing and final process, including without limitation quality assurance, reliability performance testing, and/or process qualification, may not yet be complete, and this item is subject to further changes or possible discontinuation. If available for ordering, purchases will be subject to an additional waiver at checkout, and are intended for early internal evaluation purposes only. These items are sold without warranties of any kind.

(3) **RoHS values:** Yes, No, RoHS Exempt. See the [TI RoHS Statement](#) for additional information and value definition.

(4) **Lead finish/Ball material:** Parts may have multiple material finish options. Finish options are separated by a vertical ruled line. Lead finish/Ball material values may wrap to two lines if the finish value exceeds the maximum column width.

(5) **MSL rating/Peak reflow:** The moisture sensitivity level ratings and peak solder (reflow) temperatures. In the event that a part has multiple moisture sensitivity ratings, only the lowest level per JEDEC standards is shown. Refer to the shipping label for the actual reflow temperature that will be used to mount the part to the printed circuit board.

(6) **Part marking:** There may be an additional marking, which relates to the logo, the lot trace code information, or the environmental category of the part.

Multiple part markings will be inside parentheses. Only one part marking contained in parentheses and separated by a "~" will appear on a part. If a line is indented then it is a continuation of the previous line and the two combined represent the entire part marking for that device.

Important Information and Disclaimer:The information provided on this page represents TI's knowledge and belief as of the date that it is provided. TI bases its knowledge and belief on information provided by third parties, and makes no representation or warranty as to the accuracy of such information. Efforts are underway to better integrate information from third parties. TI has taken and continues to take reasonable steps to provide representative and accurate information but may not have conducted destructive testing or chemical analysis on incoming materials and chemicals. TI and TI suppliers consider certain information to be proprietary, and thus CAS numbers and other limited information may not be available for release.

In no event shall TI's liability arising out of such information exceed the total purchase price of the TI part(s) at issue in this document sold by TI to Customer on an annual basis.

OTHER QUALIFIED VERSIONS OF LM26420-Q1 :

- Catalog : [LM26420](#)

NOTE: Qualified Version Definitions:

- Catalog - TI's standard catalog product

TAPE AND REEL INFORMATION

QUADRANT ASSIGNMENTS FOR PIN 1 ORIENTATION IN TAPE


*All dimensions are nominal

| Device | Package Type | Package Drawing | Pins | SPQ | Reel Diameter (mm) | Reel Width W1 (mm) | A0 (mm) | B0 (mm) | K0 (mm) | P1 (mm) | W (mm) | Pin1 Quadrant |
|--------------------|--------------|-----------------|------|------|--------------------|--------------------|---------|---------|---------|---------|--------|---------------|
| LM26420Q0XMHX/NOPB | HTSSOP | PWP | 20 | 2500 | 330.0 | 16.4 | 6.95 | 7.0 | 1.4 | 8.0 | 16.0 | Q1 |
| LM26420Q1XMHX/NOPB | HTSSOP | PWP | 20 | 2500 | 330.0 | 16.4 | 6.95 | 7.0 | 1.4 | 8.0 | 16.0 | Q1 |
| LM26420Q1XSQ/NOPB | WQFN | RUM | 16 | 1000 | 177.8 | 12.4 | 4.3 | 4.3 | 1.3 | 8.0 | 12.0 | Q1 |
| LM26420Q1XSQX/NOPB | WQFN | RUM | 16 | 4500 | 330.0 | 12.4 | 4.3 | 4.3 | 1.3 | 8.0 | 12.0 | Q1 |

TAPE AND REEL BOX DIMENSIONS

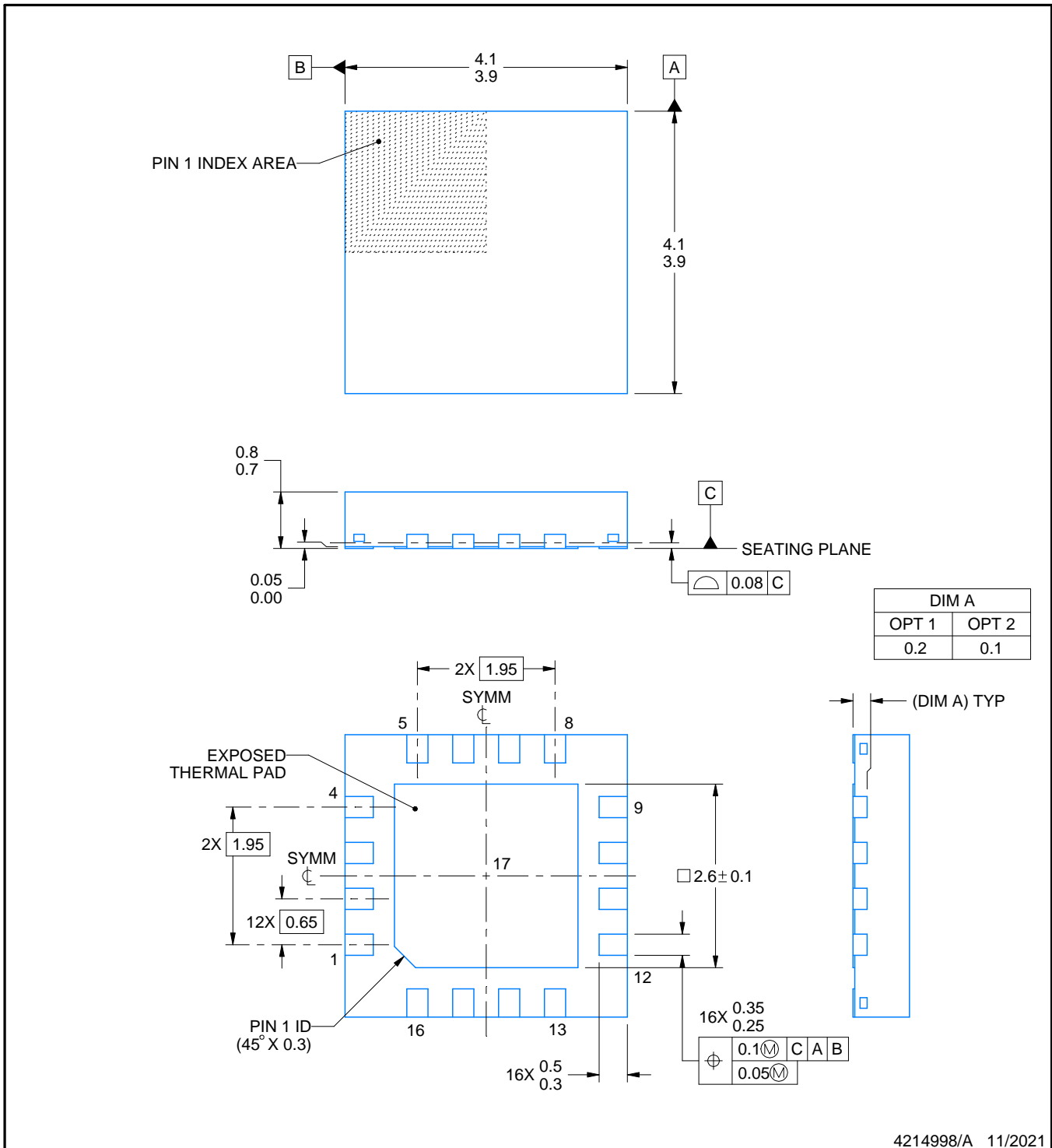
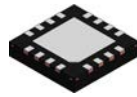

*All dimensions are nominal

| Device | Package Type | Package Drawing | Pins | SPQ | Length (mm) | Width (mm) | Height (mm) |
|--------------------|--------------|-----------------|------|------|-------------|------------|-------------|
| LM26420Q0XMHX/NOPB | HTSSOP | PWP | 20 | 2500 | 367.0 | 367.0 | 35.0 |
| LM26420Q1XMHX/NOPB | HTSSOP | PWP | 20 | 2500 | 356.0 | 356.0 | 35.0 |
| LM26420Q1XSQ/NOPB | WQFN | RUM | 16 | 1000 | 208.0 | 191.0 | 35.0 |
| LM26420Q1XSQX/NOPB | WQFN | RUM | 16 | 4500 | 356.0 | 356.0 | 36.0 |

TUBE


*All dimensions are nominal

| Device | Package Name | Package Type | Pins | SPQ | L (mm) | W (mm) | T (μm) | B (mm) |
|---------------------|--------------|--------------|------|-----|--------|--------|--------|--------|
| LM26420Q0XMH/NOPB | PWP | HTSSOP | 20 | 73 | 495 | 8 | 2514.6 | 4.06 |
| LM26420Q0XMH/NOPB.A | PWP | HTSSOP | 20 | 73 | 495 | 8 | 2514.6 | 4.06 |
| LM26420Q1XMH/NOPB | PWP | HTSSOP | 20 | 73 | 495 | 8 | 2514.6 | 4.06 |
| LM26420Q1XMH/NOPB.A | PWP | HTSSOP | 20 | 73 | 495 | 8 | 2514.6 | 4.06 |



4214998/A 11/2021

NOTES:

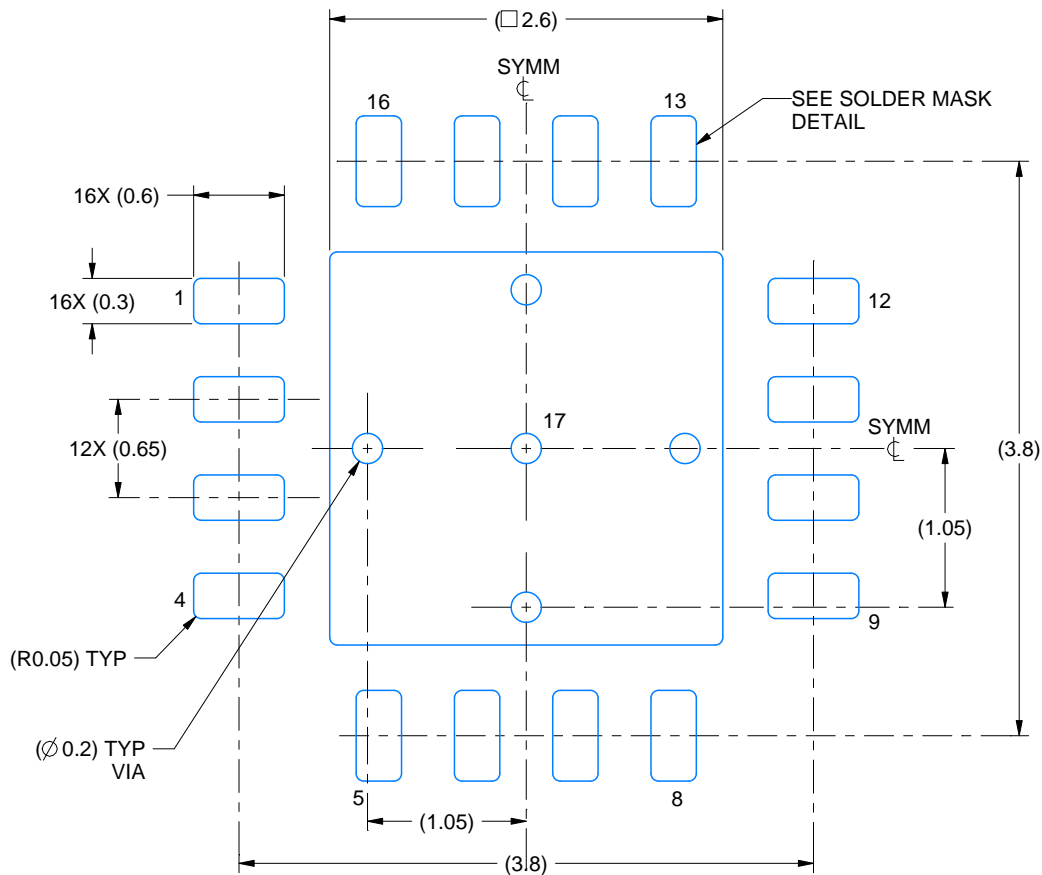
1. All linear dimensions are in millimeters. Any dimensions in parenthesis are for reference only. Dimensioning and tolerancing per ASME Y14.5M.
2. This drawing is subject to change without notice.
3. The package thermal pad must be soldered to the printed circuit board for thermal and mechanical performance.

EXAMPLE BOARD LAYOUT

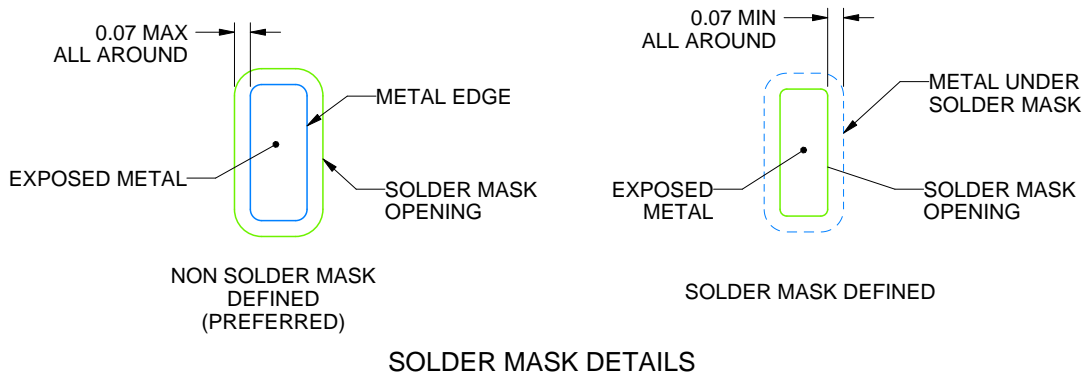
RUM0016A

WQFN - 0.8 mm max height

PLASTIC QUAD FLATPACK - NO LEAD



LAND PATTERN EXAMPLE
EXPOSED METAL SHOWN
SCALE: 20X



SOLDER MASK DETAILS

4214998/A 11/2021

NOTES: (continued)

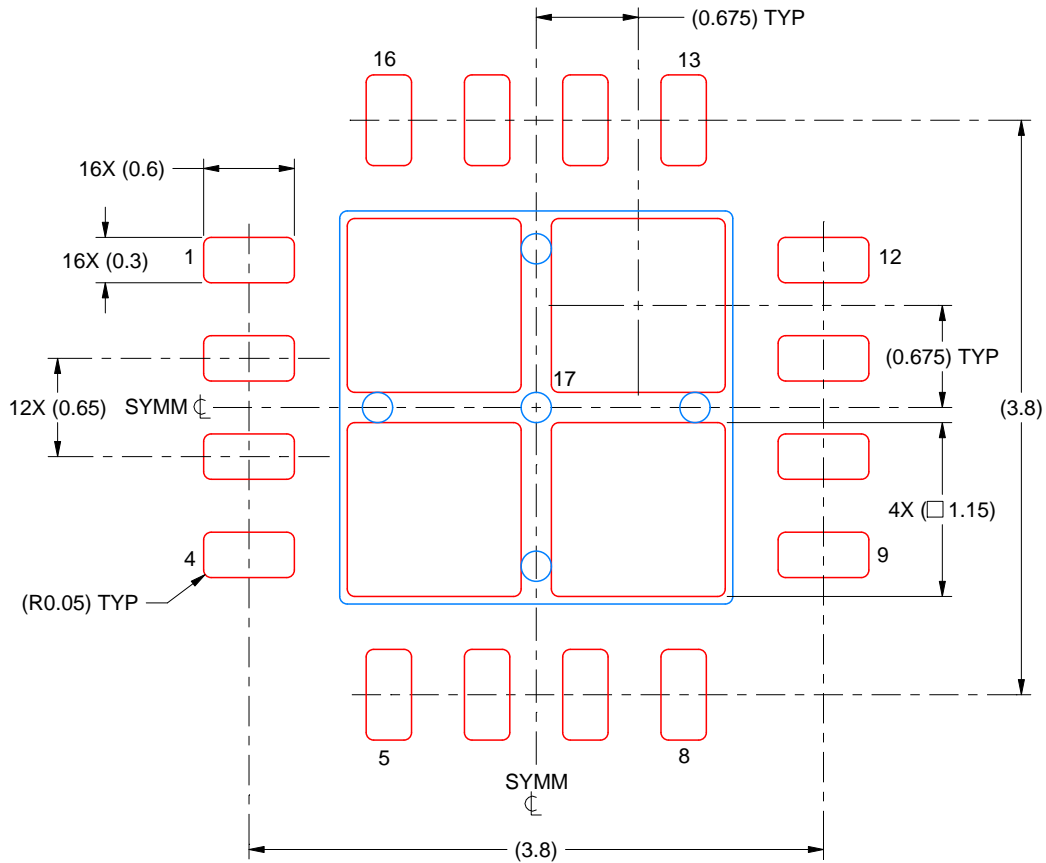
- This package is designed to be soldered to a thermal pad on the board. For more information, see Texas Instruments literature number SLUA271 (www.ti.com/lit/sluea271).
- Vias are optional depending on application, refer to device data sheet. If any vias are implemented, refer to their locations shown on this view. It is recommended that vias under paste be filled, plugged or tented.

EXAMPLE STENCIL DESIGN

RUM0016A

WQFN - 0.8 mm max height

PLASTIC QUAD FLATPACK - NO LEAD



SOLDER PASTE EXAMPLE
BASED ON 0.125 MM THICK STENCIL
SCALE: 20X

EXPOSED PAD 17
78% PRINTED SOLDER COVERAGE BY AREA UNDER PACKAGE

4214998/A 11/2021

NOTES: (continued)

6. Laser cutting apertures with trapezoidal walls and rounded corners may offer better paste release. IPC-7525 may have alternate design recommendations.

MECHANICAL DATA

PWP (R-PDSO-G20)

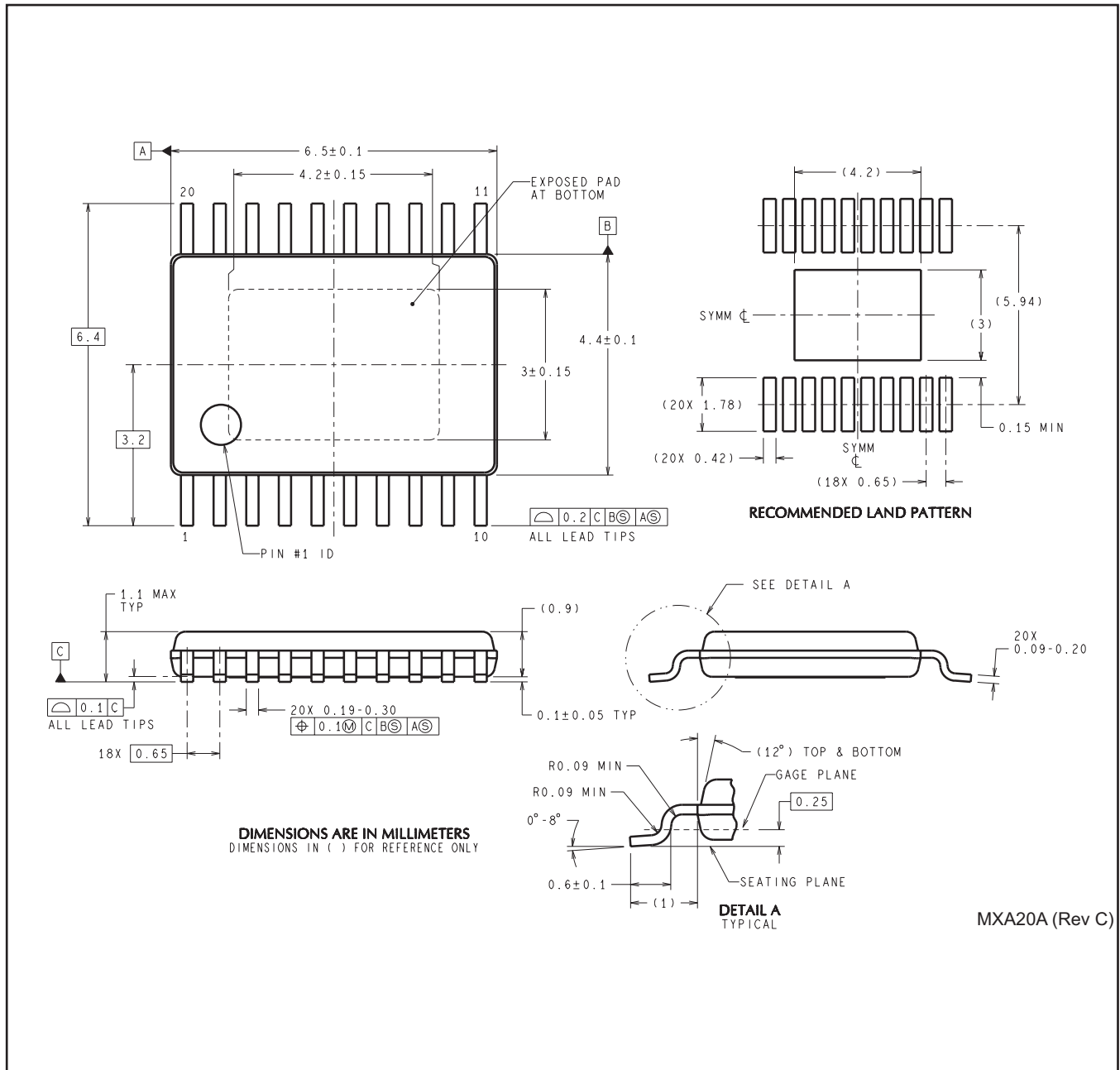
PowerPAD™ PLASTIC SMALL OUTLINE



- NOTES:
- All linear dimensions are in millimeters.
 - This drawing is subject to change without notice.
 - Body dimensions do not include mold flash or protrusions. Mold flash and protrusion shall not exceed 0.15 per side.
 - This package is designed to be soldered to a thermal pad on the board. Refer to Technical Brief, PowerPad Thermally Enhanced Package, Texas Instruments Literature No. SLMA002 for information regarding recommended board layout. This document is available at www.ti.com <<http://www.ti.com>>.
 - See the additional figure in the Product Data Sheet for details regarding the exposed thermal pad features and dimensions.
 - Falls within JEDEC MO-153

PowerPAD is a trademark of Texas Instruments.

PWP0020A



IMPORTANT NOTICE AND DISCLAIMER

TI PROVIDES TECHNICAL AND RELIABILITY DATA (INCLUDING DATASHEETS), DESIGN RESOURCES (INCLUDING REFERENCE DESIGNS), APPLICATION OR OTHER DESIGN ADVICE, WEB TOOLS, SAFETY INFORMATION, AND OTHER RESOURCES "AS IS" AND WITH ALL FAULTS, AND DISCLAIMS ALL WARRANTIES, EXPRESS AND IMPLIED, INCLUDING WITHOUT LIMITATION ANY IMPLIED WARRANTIES OF MERCHANTABILITY, FITNESS FOR A PARTICULAR PURPOSE OR NON-INFRINGEMENT OF THIRD PARTY INTELLECTUAL PROPERTY RIGHTS.

These resources are intended for skilled developers designing with TI products. You are solely responsible for (1) selecting the appropriate TI products for your application, (2) designing, validating and testing your application, and (3) ensuring your application meets applicable standards, and any other safety, security, regulatory or other requirements.

These resources are subject to change without notice. TI grants you permission to use these resources only for development of an application that uses the TI products described in the resource. Other reproduction and display of these resources is prohibited. No license is granted to any other TI intellectual property right or to any third party intellectual property right. TI disclaims responsibility for, and you fully indemnify TI and its representatives against any claims, damages, costs, losses, and liabilities arising out of your use of these resources.

TI's products are provided subject to [TI's Terms of Sale](#), [TI's General Quality Guidelines](#), or other applicable terms available either on [ti.com](#) or provided in conjunction with such TI products. TI's provision of these resources does not expand or otherwise alter TI's applicable warranties or warranty disclaimers for TI products. Unless TI explicitly designates a product as custom or customer-specified, TI products are standard, catalog, general purpose devices.

TI objects to and rejects any additional or different terms you may propose.

Copyright © 2025, Texas Instruments Incorporated

Last updated 10/2025