

Class-D LC Filter Design

Yang Boon Quek

ABSTRACT

An LC filter is critical in helping you reduce electromagnetic radiation (EMI) of Class-D amplifiers. In some Class-D amplifiers, you also need the LC filter to ensure high efficiency outputs. This application report presents the implementations and theories of LC filter design for Class-D audio amplifiers using the AD (Traditional) and BD Class-D modulation designs.

Contents

1	LC Filters Implementation	3
	1.1 Terminology	4
	1.2 Related Documentation	4
2	Frequency Response of LC Filters	5
3	Types of Class-D Modulation Techniques	7
	3.1 AD (Traditional) Modulation	7
	3.2 BD Modulation.....	8
	3.3 1SPW and Ternary Modulation	9
4	LC Output Filter for Bridged Amplifiers	11
	4.1 LC Filter for AD (Traditional) Modulation	11
	4.2 LC Filter for BD Modulation	12
	4.3 Differential Mode Analysis	13
	4.4 Common Mode Analysis	13
	4.5 LC Filter for SE Output Amplifier	14
	4.6 PBTL	14
5	Selecting Filter Components.....	15
	5.1 Selecting Filter Components for BD Modulation	15
	5.2 Selecting Filter Components for AD Modulation	16
	5.3 Recommended BD Modulation Filter Components	17
	5.4 Selecting Filter Components for AD Modulation	18
6	Conclusions	18
Appendix A	Total Harmonic Distortion Plots for AD and BD Modulation	19

List of Figures

1	BTL LC Filter for AD Modulation.....	3
2	BTL LC Filter for BD Modulation.....	3
3	LC Filter for Single-Ended Operation	5
4	Effect of Q on Frequency Response	6
5	AD (Traditional) Modulation	7
6	BD Modulation.....	8
7	1SPW Mode Modulation.....	10
8	LC Filter for AD Modulation	11
9	Equivalent Circuit for AD Modulation	11
10	Recommended Low-Pass Filter for AD Modulation BTL Application.....	12
11	LC Filter for BD Modulation BTL Application	12
12	Equivalent Circuit for Differential Mode Analysis.....	13

13	Equivalent Circuit for Common Mode Analysis.....	13
14	SE Output Configure.....	14
15	Impedance and Frequency Responses of Butterworth Filter.....	15
16	Impedance and Frequency Responses, Filter With Slight Peaking	16
17	THD vs Frequency, BD Modulation, $R_{BTL} = 8 \Omega$	19
18	THD vs Power, BD Modulation, $R_{BTL} = 8 \Omega$	20
19	THD vs Frequency, BD Modulation, $R_{BTL} = 6 \Omega$	20
20	THD vs Power, BD Modulation, $R_{BTL} = 6 \Omega$	21
21	THD vs Frequency, BD Modulation, $R_{BTL} = 4 \Omega$	21
22	THD vs Power, BD Modulation, $R_{BTL} = 4 \Omega$	22
23	THD vs Frequency, AD Modulation, $R_{BTL} = 8 \Omega$	23
24	THD vs Power, AD Modulation, $R_{BTL} = 8 \Omega$	23
25	THD vs Frequency, AD Modulation, $R_{BTL} = 6 \Omega$	24
26	THD vs Power, AD Modulation, $R_{BTL} = 6 \Omega$	24
27	THD vs Frequency, AD Modulation, $R_{BTL} = 4 \Omega$	25
28	THD vs Power, AD Modulation, $R_{BTL} = 4 \Omega$	25

List of Tables

1	Recommended Butterworth LC Filter Component Values	3
2	BD Modulation for $R_{BTL} = 8 \Omega$	17
3	BD Modulation for $R_{BTL} = 6 \Omega$	17
4	BD Modulation for $R_{BTL} = 4 \Omega$	17
5	AD Modulation for $R_{BTL} = 8 \Omega$	18
6	AD Modulation for $R_{BTL} = 6 \Omega$	18
7	AD Modulation for $R_{BTL} = 4 \Omega$	18

1 LC Filters Implementation

Figure 1 shows the LC filter circuit for AD (Traditional) modulation and Figure 2 shows the BD Class-D modulation. The corresponding Butterworth LC filter recommended component values are listed in Table 1. See Section 3, for additional analysis.

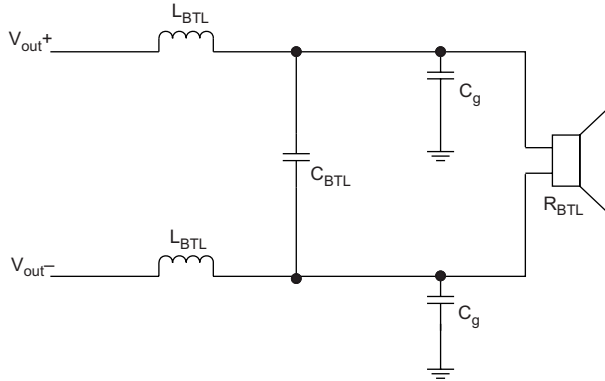


Figure 1. BTL LC Filter for AD Modulation

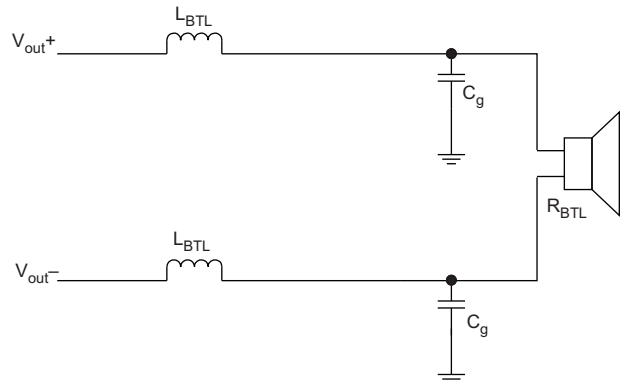


Figure 2. BTL LC Filter for BD Modulation

Table 1. Recommended Butterworth LC Filter Component Values

R_{load} (Ω)	f_{cutoff} (kHz)	L_{BTL} (μH)	C_{BTL} (μF)	C_g (μF)	Modulation Mode
8	28	33	–	1	BD
6	31	22	–	1.2	BD
4	31	15	–	1.8	BD
8	28	33	0.47	0.1	AD
6	31	22	0.68	0.1	AD
4	31	15	1	0.18	AD

1.1 Terminology

AD modulation (traditional) — modulation scheme with a differential output, where each output is 180 degrees out-of-phase and changes from ground to the supply voltage, V_{CC} . Therefore, the differential pre-filtered output varies between positive and negative V_{CC} , where filtered 50 percent duty cycle yields zero volts across the load. This class-D modulation scheme has the maximum differential voltage at 0 V output (50-percent duty cycle). The large differential voltage causes high peak output current, which in turn causes filter loss, thus increasing supply current and lowering efficiency. An LC filter is required with the traditional modulation scheme so the high switching current is re-circulated in the LC filter instead of being dissipated in the speaker.

BD modulation — a modulation scheme developed to greatly reduce the output filter. The modulation scheme minimizes switching current.

1SPW modulation — a modulation scheme similar to BD modulation with an additional mode to reduce power losses

Ternary modulation — a modulation scheme similar to 1SPW with additional mode to reduce THD with slightly higher power losses

BTL (bridge-tied load) — an output configuration for power amplifiers, used mainly in audio applications. The load (for example, a speaker) is connected between two amplifier outputs, bridging the two output terminals. This can double the voltage swing at the load (compared with SE amplifier operation) if the outputs are driven in opposite phases.

EMI (electromagnetic radiation) — radiation that is emitted by electrical circuits carrying rapidly changing signals, such as the outputs of a class-D audio power amplifier. EMI must be below limits set by regulatory standards such as CISPR 22 or FCC Part 15 Class B.

SE (single-ended) — signaling that is the simplest method of transmitting electrical signals over wires. One wire carries a varying voltage that represents the signal, while the other wire is connected to a reference voltage, usually ground. The alternative to single-ended output configuration is the bridge-tied load (BTL) configuration. SE signaling is less expensive to implement; however the signal cannot be transmitted over long distances or quickly, it has poorer low-frequency response, and a smaller voltage swing (compared to the BTL amplifier operation).

1.2 Related Documentation

1. Quek, Yang Boon and Belnap, Kevin. *Flat panel audio design—where only the screen is flat, not the audio, EMI Performance and LC Filters* Audio Design. May, 2006.
2. Score, Mike. *Filter-free design helps class-D audio amplifier implementations* Planet Analog. August, 2004
3. *TPA3007D1 6.5-W Mono Class-D Audio Power Amplifier* Data Sheet, TI literature number [SLOS418](#), available on the TI Internet site www.ti.com.
4. *TPA3106D1 40-W Mono Class-D Audio Power Amplifier* Data Sheet, TI literature number [SLOS516](#), available on the TI Internet site www.ti.com.
5. *TPA3100D2 Audio Power Amplifier EVM with LC Filter* User's Guide, TI literature number [SLOU179](#), available on the TI Internet site www.ti.com.
6. TPA312xD2 device family employs AD modulation: TPA3120D2, TPA3122D2, and TPA3123D2

2 Frequency Response of LC Filters

An LC output filter attenuates the high-frequency switching frequency of a Class-D amplifier for single-ended (SE) operation (Figure 3).

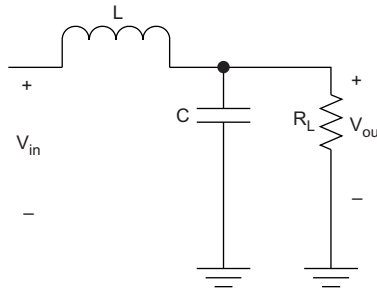


Figure 3. LC Filter for Single-Ended Operation

You can derive the transfer function by using a voltage divider equation in which the load impedance is a parallel combination of R_L and C .

This transfer function reduces to Equation 1.

$$H(s) = \frac{V_{out}(s)}{V_{in}(s)} = \frac{1}{1 + s \times \frac{L}{R_L} + L \times C \times s^2} = \frac{\frac{1}{L \times C}}{s^2 + s \times \frac{1}{R_L \times C} + \frac{1}{L \times C}} \quad (1)$$

We can equate Equation 1 to the characteristic equation of a second-order network in a standard form.

$$H(s) = \frac{A}{s^2 + s \times \frac{\omega_o}{Q} + \omega_o^2} = \frac{\frac{1}{L \times C}}{s^2 + s \times \frac{1}{R_L \times C} + \frac{1}{L \times C}} \quad (2)$$

where $\omega_o = \frac{1}{\sqrt{L \times C}}$ is the cutoff frequency in radians.

$$Q = R_L \sqrt{\frac{C}{L}} \quad \text{and} \quad A = \frac{1}{L \times C} = \omega_o^2 \quad \text{is a constant.}$$

At the cutoff frequency, $\omega = \omega_o$,

$$|H(j\omega_o)| = \left| \frac{\omega_o^2}{-\omega_o^2 + j \times \frac{\omega_o^2}{Q} + \omega_o^2} \right| = |-j \times Q| = Q \quad (3)$$

The circuit is critically damped at $Q = \frac{1}{\sqrt{2}}$ and experiences peaking for $Q > \frac{1}{\sqrt{2}}$ (see Figure 4).

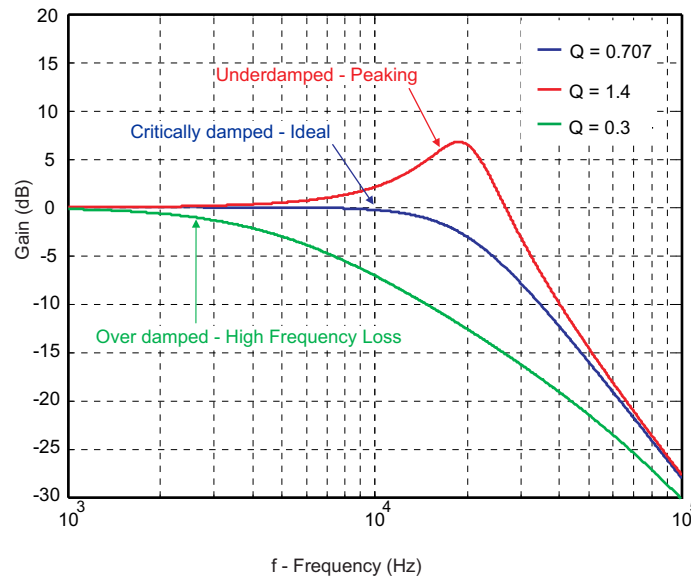


Figure 4. Effect of Q on Frequency Response

TI does not recommend using an LC filter that peaks excessively. Tests have shown that high frequency audio signals generally sound harsh to the human ear. Additionally, high peaking may cause the amplifier to malfunction, by triggering its over current or short circuit protection circuitry. An overdamped filter can result in the loss of high frequency audio signals.

TI recommends you use a 2nd-order Butterworth Low-Pass filter, because of its flat pass-band and phase response. The Butterworth filter can be designed by using Equation 4 and Equation 5 to determine LC values.

$$C = \frac{1}{\omega_o \times R_L \times \sqrt{2}} \quad (4)$$

$$L = \frac{R_L \times \sqrt{2}}{\omega_o} \quad (5)$$

NOTE: The Butterworth filters are critically damped when $Q = \frac{1}{\sqrt{2}}$.

3 Types of Class-D Modulation Techniques

The Class-D Modulation Technique section describes how analog signals are converted to PWM signals to drive the MOSFETs in the H-bridge. Most Class-D amplifiers can be classified as using one of two modulation techniques, AD (Traditional) or BD modulation.

3.1 AD (Traditional) Modulation

The traditional switching technique (AD modulation) modulates the duty cycle of a rectangular waveform, such that its average content corresponds to the input analog signal. The bridge-tied load (BTL) outputs (see Figure 5) are the inverse of each other. AD modulation has no significant common mode content in its output. The TPA312xD2 family employs AD modulation. All TAS modulators can be configured for AD modulation.

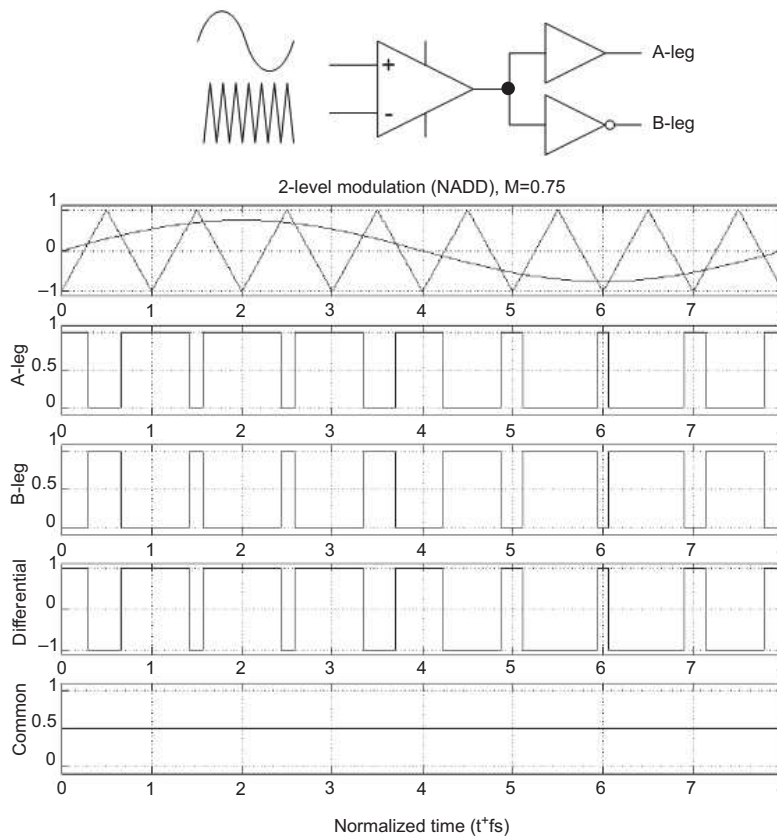


Figure 5. AD (Traditional) Modulation

3.2 BD Modulation

The BD modulation switching technique modulates the duty cycle of the difference of the output signals such that its average content corresponds to the input analog signal. The bridge-tied load (BTL) outputs (see Figure 6) are not the inverse of each other. BD modulation has significant common mode content in its output. Most TPA amplifiers employ BD modulation. Some TAS modulators can be also be configured for BD modulation.

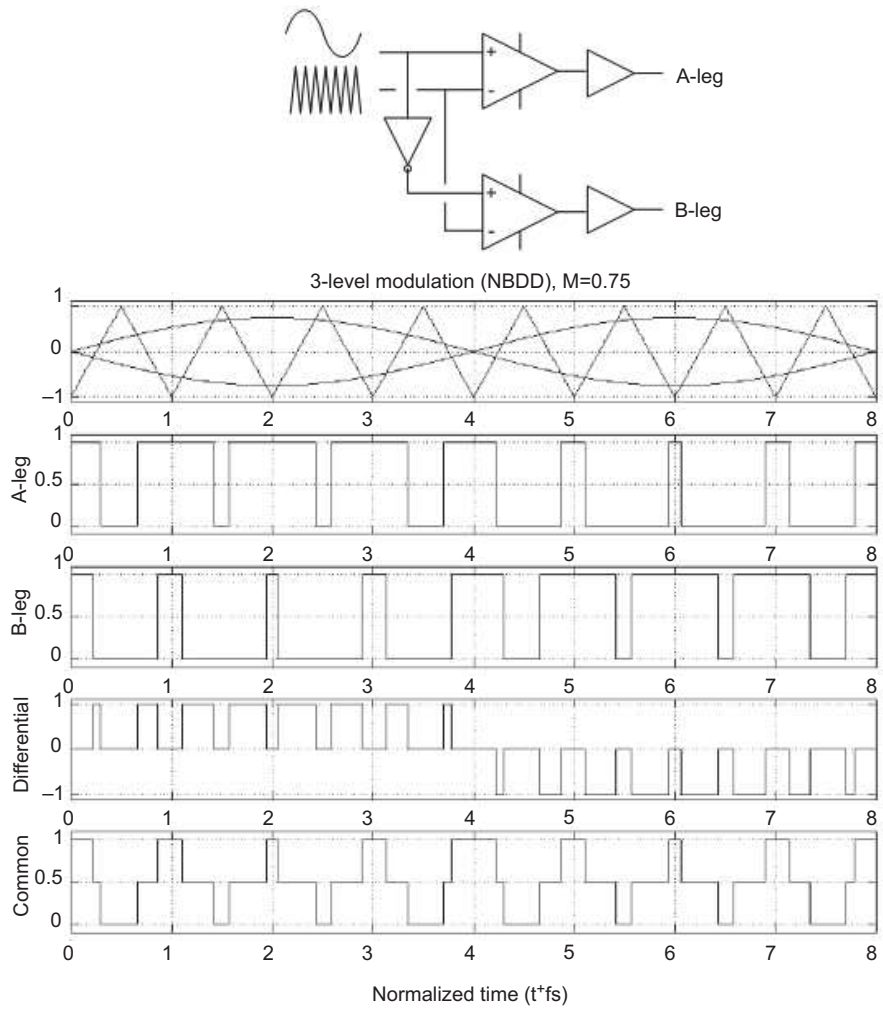


Figure 6. BD Modulation

3.3 1SPW and Ternary Modulation

The 1SPW alters the normal modulation scheme in order to achieve higher efficiency with a slight penalty in THD degradation and more attention required in the output filter selection.

In 1SPW mode the outputs operate at approximately 15% modulation during idle conditions. When an audio signal is applied, one output will decrease and one will increase. The decreasing output signal will quickly rail to GND at which point all the audio modulation takes place through the rising output. The result is that only one output is switching during a majority of the audio cycle. Efficiency is improved in this mode due to the reduction of switching losses.

Ternary mode is very similar to 1SPW in that one side of the half-bridge is turned on for positive AC signal while the other is turned off and vice versa. However, ternary mode fares better with THD performance by reducing the cross over distortion. This modulation scheme requires the same LC filter selection as 1SPW.

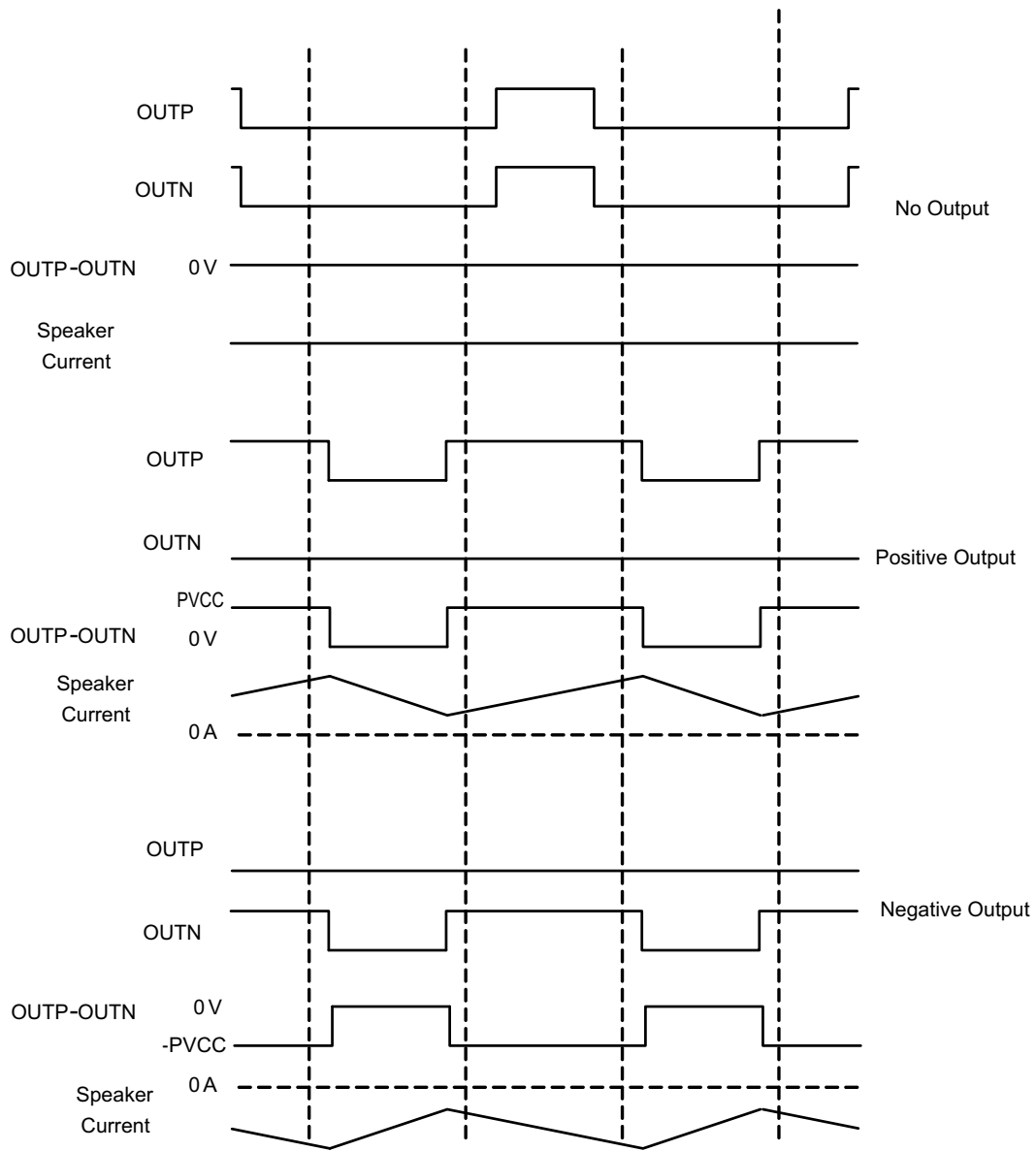


Figure 7. 1SPW Mode Modulation

4 LC Output Filter for Bridged Amplifiers

4.1 LC Filter for AD (Traditional) Modulation

For a bridge-tied load (BTL) amplifier, a filter is needed for the positive and negative output. Figure 8 shows LC filter topology for AD Modulation.

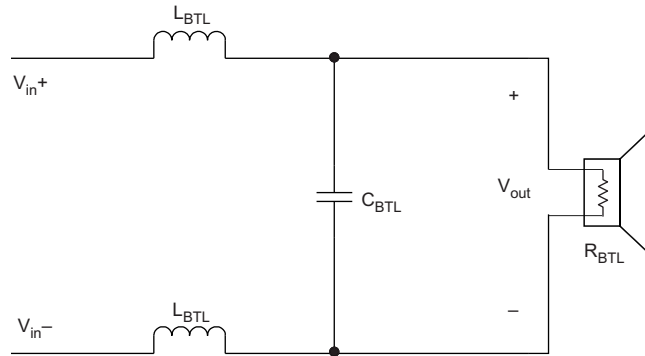


Figure 8. LC Filter for AD Modulation

Because V_{in+} and V_{in-} are the inverse inputs of each other, the circuit is actually symmetrically equivalent to two SE output circuits, as shown in Figure 9.

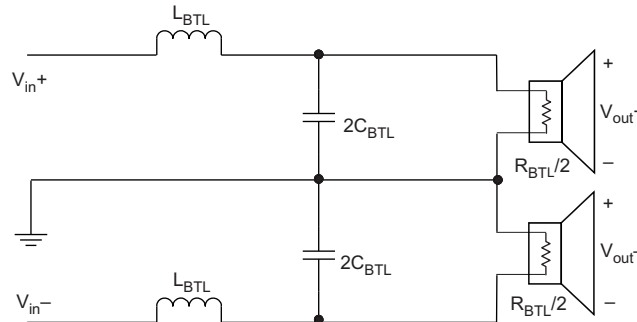


Figure 9. Equivalent Circuit for AD Modulation

Computing LC values for BTL operation from SE operation analysis:

1. Using $R_L = R_{BTL}/2$, compute C and L for the appropriate cutoff frequency and damping factor as in the SE operation analysis.
2. Compute C_{BTL} and L_{BTL} using Equation 6 and Equation 7, respectively.

$$C_{BTL} = \frac{C}{2} \tag{6}$$

$$L_{BTL} = L \tag{7}$$

Additional capacitors are employed on each side of the R_{BTL} to ground paths, to provide high-frequency decoupling. These additional C_g capacitors should be approximately 10% of the two C_{BTL} (see Figure 10).

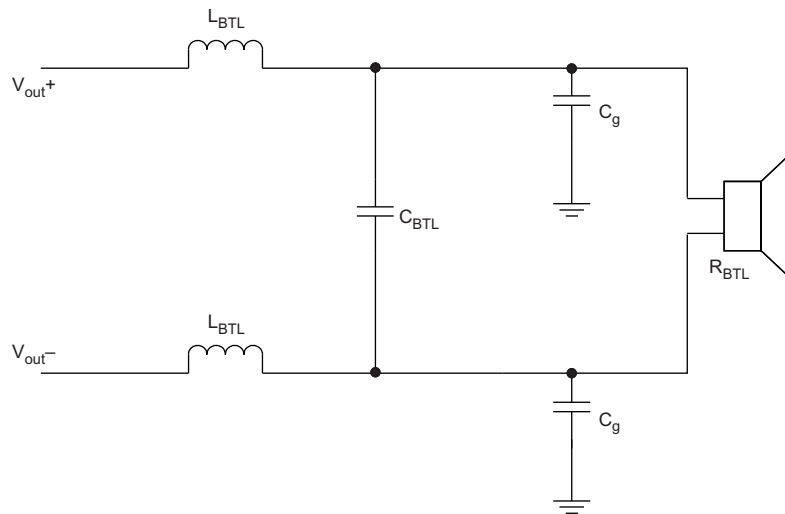


Figure 10. Recommended Low-Pass Filter for AD Modulation BTL Application

4.2 LC Filter for BD Modulation

The BD Modulation output contains significant differential and common mode contents. Therefore, it must be analyzed in two steps. [Figure 11](#) shows the LC filter configuration for BD Modulation.

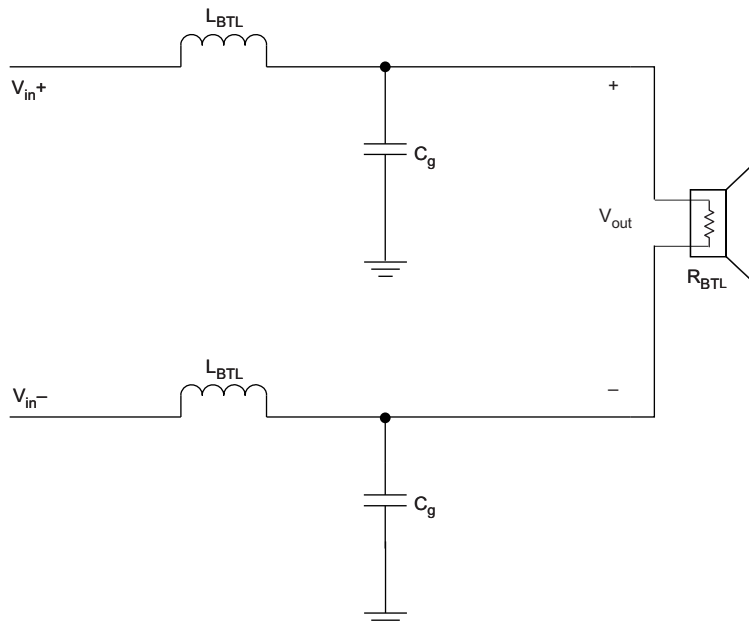


Figure 11. LC Filter for BD Modulation BTL Application

4.3 Differential Mode Analysis

When only differential signals are considered, V_{in+} and V_{in-} are inverse input voltages of each other and the circuit is again symmetrically equivalent to two SE output circuits (see Figure 12). See Section 4.1 for analysis of this circuit.

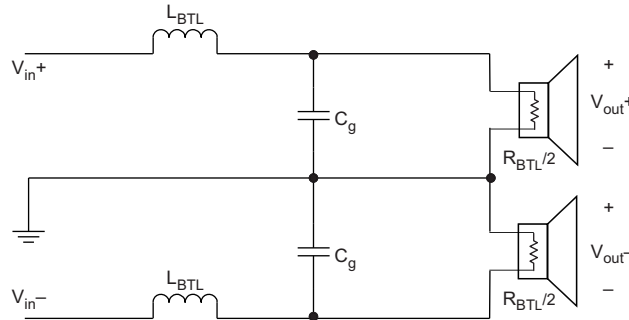


Figure 12. Equivalent Circuit for Differential Mode Analysis

The impedance seen by V_{in+} or V_{in-} is

$$Z_{Diff}(s) = sL_{BTL} + \frac{R_{BTL} / 2}{1 + sC_g R_{BTL} / 2} \quad (8)$$

The transfer function is

$$H_{Diff}(s) = \frac{V_{out}(s)}{V_{in}(s)} = \frac{1}{1 + s \times \frac{L_{BTL}}{R_{BTL} / 2} + L_{BTL} \times C_g + s^2} \quad (9)$$

4.4 Common Mode Analysis

When considering only common mode signals, V_{in+} and V_{in-} are equal to each other and R_{BTL} can be removed. Figure 13 shows the equivalent circuit is just a basic LC circuit.

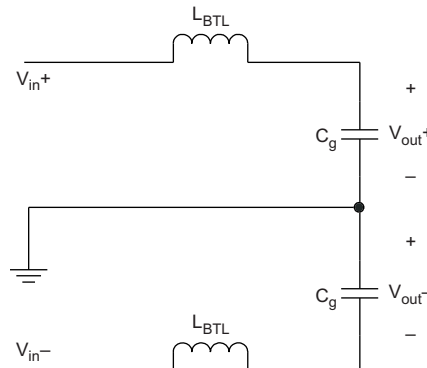


Figure 13. Equivalent Circuit for Common Mode Analysis

The impedance seen by V_{in+} or V_{in-} is

$$Z_{CM}(s) = sL_{BTL} + \frac{1}{sC_g} \quad (10)$$

The transfer function is

$$H_{CM}(s) = \frac{V_{out}(s)}{V_{in}(s)} = \frac{1}{1 + s^2 L_{BTL} C_g} \quad (11)$$

4.5 LC Filter for SE Output Amplifier

For an SE amplifier, a bias supplying circuit is needed, usually with a passive circuit. The capacitance, C_b , in the bias circuit directly influences the low-frequency cutoff, this must be considered.

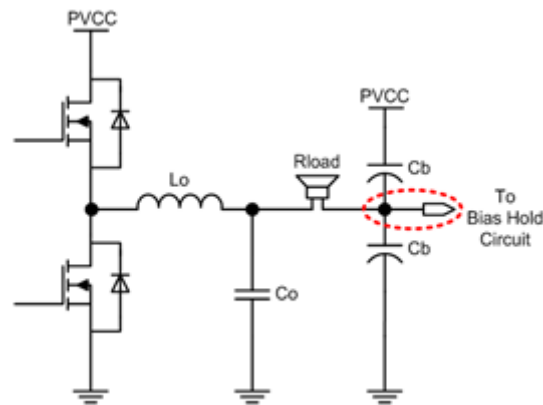


Figure 14. SE Output Configure

A typical SE output configuration is shown as [Figure 14](#), the bias voltage of this type is independent. It is better to use an operation amplifier to get the precise bias voltage. R_{load} and C_b form a high-pass filter, in which the cutoff frequency is:

$$f = \frac{1}{2\pi \times R_{load} \times \frac{1}{2} C_b} \quad (12)$$

Take a 4- Ω load, for example, with two 220- μ F capacities, the cutoff frequency is:

$$f = \frac{1}{2\pi \times R_{load} \times \frac{1}{2} C_b} = \frac{10^6}{2\pi \times 4 \times \frac{1}{2} \times 220} = 36.2 \text{ Hz} \quad (13)$$

4.6 PBTL

TAS and TPA devices support parallel bridge-tied-load (PBTL) applications. Some devices can be paralleled before the LC filter and some must be paralleled after the filter. Please read the datasheet carefully to know how to parallel the output stage.

5 Selecting Filter Components

This section describes key elements involved with selecting AD and BD modulation filter components. A series of tables (Table 2 through Table 7) provides recommended filter component values for each modulation type and for three R_{Load} values (8 Ω , 6 Ω , and 4 speakers). Figure 17 through Figure 28 display the total harmonic distortion graphed against frequency and power for each of the modulation types and R_{Load} combinations.

5.1 Selecting Filter Components for BD Modulation

TI recommends the Butterworth filter for BD modulation. Figure 15 displays an example of the impedance and gain response for both common and differential modes.

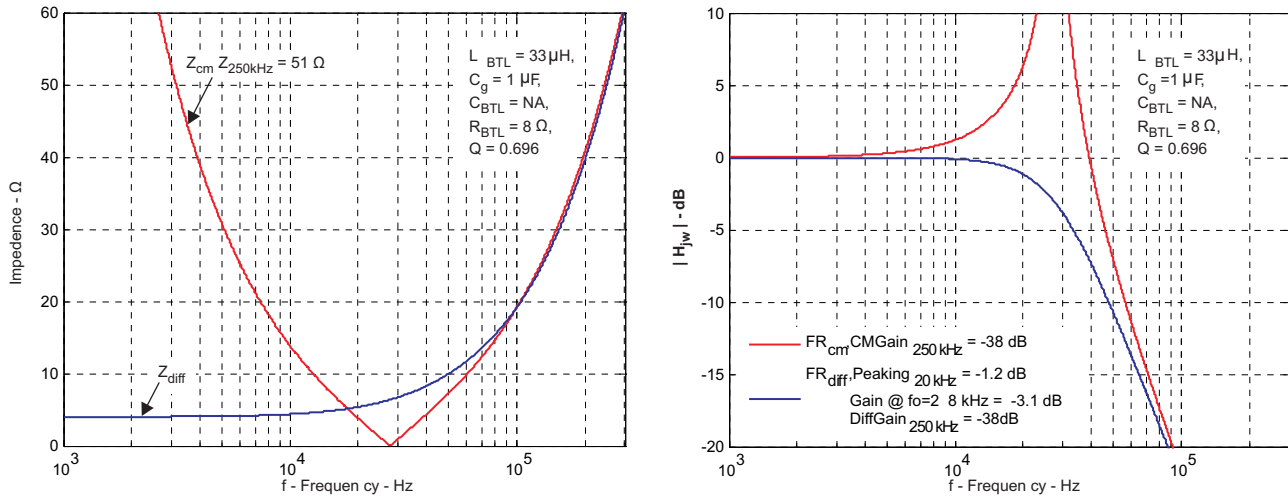


Figure 15. Impedance and Frequency Responses of Butterworth Filter

Z_{cm} at 250 kHz represents the impedance seen by the amplifier at the switching frequency. It should be kept at a high value as it affects the switching current drawn by the LC filter. $CMGain_{250kHz}$ and $DiffGain_{250kHz}$ represent the common mode and differential mode gain at the switching frequency. A high attenuation is preferred to ensure sufficient attenuation of the switching signals which affects the EMI performance of the amplifier.

NOTE: A -40 dB gain implies an attenuation of the switching signals by a factor of 100.

$Peaking_{20kHz}$ represents the amount of gain at 20 kHz and is related to Q of the LC filter.

The drawback to a Butterworth filter for 8 Ω speakers is the use of 33 μH inductors, that are usually large and bulky. In most audio applications, slight peaking of less than 2 dB at 20 kHz can be tolerated to reduce the size of the inductors. Allowing some peaking can also help increase the attenuation at the Class-D switching frequency 250 kHz.

NOTE: Reducing the size of the inductors generally increases the total harmonic distortion (THD) of audio outputs. See Appendix A for responses graphed against frequency and power.

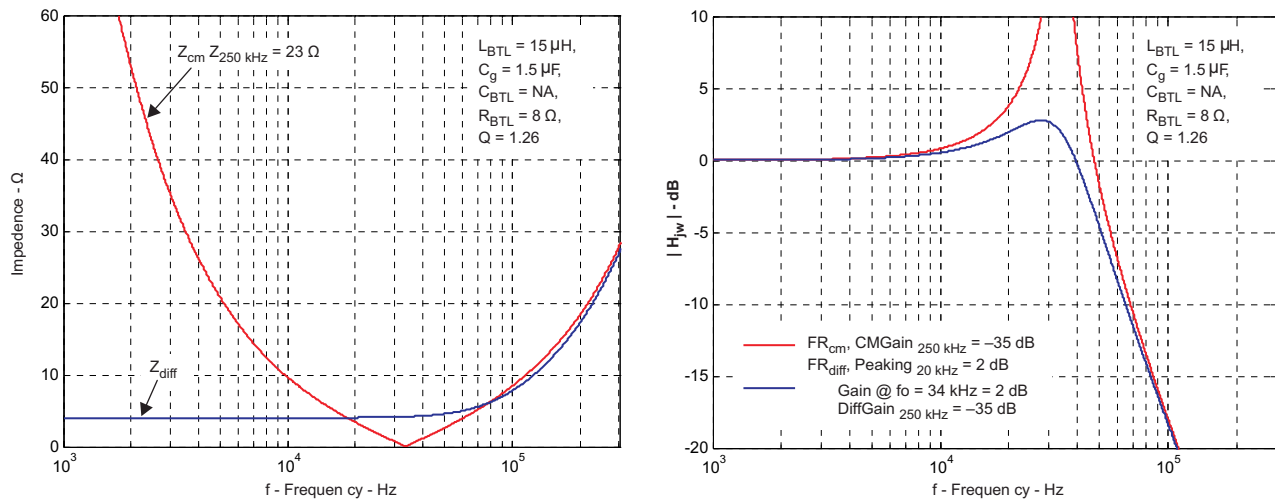


Figure 16. Impedance and Frequency Responses, Filter With Slight Peaking

5.2 Selecting Filter Components for AD Modulation

The AD modulation has no significant common mode content in its output, thus only the differential mode impedance and frequency responses need to be analyzed. We can use the differential mode results from BD Modulation filters to find the values of the components for AD Modulation filters.

5.3 Recommended BD Modulation Filter Components

These tables show TI's recommended Butterworth filter component values for BD modulation and the different speaker loads (8Ω, 6Ω, and 4Ω).

Table 2. BD Modulation for $R_{BTL} = 8 \Omega$

8 Ω								
Q	f_o (kHz)	PEAKING AT 20 kHz (dB)	L_{BTL} (μH)	C_g (μF)	$Z_{CM, 250kHz}$ (Ω)	Gain _{CM, 250kHz} (dB)	Gain _{Diff, 250kHz} (dB)	THD+N at 1W, 1kHz (%) ⁽¹⁾
0.7 ⁽²⁾	28	-1.2	33	1	51	-38	-38	0.05
0.7 ⁽²⁾	41	-0.28	22	0.68	34	-31	-31	0.075
1.26	34	2	15	1.5	23	-35	-35	0.096

⁽¹⁾ Measured with TPA3106D1 EVM. See [Appendix A](#) for THD vs Frequency and THD vs Power plots.

⁽²⁾ Butterworth Filters

Table 3. BD Modulation for $R_{BTL} = 6 \Omega$

6 Ω								
Q	f_o (kHz)	PEAKING AT 20 kHz (dB)	L_{BTL} (μH)	C_g (μF)	$Z_{CM, 250kHz}$ (Ω)	Gain _{CM, 250kHz} (dB)	Gain _{Diff, 250kHz} (dB)	THD+N at 1W, 1kHz (%) ⁽¹⁾
0.7 ⁽²⁾	31	-0.75	22	1	34	-36	-36	0.063
0.7 ⁽²⁾	45	-0.19	15	1	23	-29	-30	0.090
1.15	28	2	15	2	23	-38	-38	0.090
1.27	38	1.6	10	2	15	-33	-33	0.080

⁽¹⁾ Measured with TPA3106D1 EVM. See [Appendix A](#) for THD vs Frequency and THD vs Power plots.

⁽²⁾ Butterworth Filters

Table 4. BD Modulation for $R_{BTL} = 4 \Omega$

4 Ω								
Q	f_o (kHz)	PEAKING AT 20 kHz (dB)	L_{BTL} (μH)	C_g (μF)	$Z_{CM, 250kHz}$ (Ω)	Gain _{CM, 250kHz} (dB)	Gain _{Diff, 250kHz} (dB)	THD+N at 1W, 1kHz (%) ⁽¹⁾
0.7 ⁽²⁾	31	-0.85	15	2	23	-36	-36	0.090
0.94	23	0.29	15	3.3	23	-42	-42	0.090
0.7 ⁽²⁾	46	-0.22	10	1	15	-29	-29	0.082
1.15	28	2	10	3.3	16	-38	-38	0.087

⁽¹⁾ Measured with TPA3106D1 EVM. See [Appendix A](#) for THD vs Frequency and THD vs Power plots.

⁽²⁾ Butterworth Filters

5.4 Selecting Filter Components for AD Modulation

These tables show TI's recommended filter component values for AD modulation and the different bridge tied-loads (8 Ω , 6 Ω , and 4 Ω).

Table 5. AD Modulation for $R_{BTL} = 8 \Omega$

8 Ω							
Q	f_o (kHz)	PEAKING AT 20 kHz (dB)	L_{BTL} (μ H)	C_{BTL} (μ F)	C_g (μ F)	Gain _{Diff_250kHz} (dB)	THD+N at 1W, 1kHz ⁽¹⁾ (%)
0.7 ⁽²⁾	28	-1.2	33	0.47	0.1	-38	0.0579
0.7 ⁽²⁾	41	-0.28	22	0.33	0.068	-31	0.05638
1.26	34	2	15	0.68	0.1	-35	0.0856

⁽¹⁾ Measured with TPA3123D2EVM (BTL configuration). See [Appendix A](#) for THD vs Frequency and THD vs Power plots.

⁽²⁾ Butterworth Filters

Table 6. AD Modulation for $R_{BTL} = 6 \Omega$

6 Ω							
Q	f_o (kHz)	PEAKING AT 20 kHz (dB)	L_{BTL} (μ H)	C_{BTL} (μ F)	C_g (μ F)	Gain _{Diff_250kHz} (dB)	THD+N at 1W, 1kHz ⁽¹⁾ (%)
0.7 ⁽²⁾	31	-0.75	22	0.68	0.1	-36	0.0648
0.7 ⁽²⁾	45	-0.19	15	0.39	0.082	-30	0.0915
1.15	28	2	15	1.0	0.18	-38	0.0949
1.27	38	1.6	10	1.0	0.18	-33	0.1312

⁽¹⁾ Measured with TPA3123D2EVM (BTL configuration). See [Appendix A](#) for THD vs Frequency and THD vs Power plots.

⁽²⁾ Butterworth Filters

Table 7. AD Modulation for $R_{BTL} = 4 \Omega$

4 Ω							
Q	f_o (kHz)	PEAKING AT 20 kHz (dB)	L_{BTL} (μ H)	C_{BTL} (μ F)	C_g (μ F)	Gain _{Diff_250kHz} (dB)	THD+N at 1W, 1kHz ⁽¹⁾ (%)
0.7 ⁽²⁾	31	-0.85	15	1.0	0.18	-36	0.0776
0.94	23	29	15	1.5	0.27	-42	0.07612
0.7 ⁽²⁾	46	-0.22	10	0.56	0.1	-29	0.09049
1.15	28	2	10	1.5	0.27	-38	0.10625

⁽¹⁾ Measured with TPA3123D2EVM (BTL configuration). See [Appendix A](#) for THD vs Frequency and THD vs Power plots.

⁽²⁾ Butterworth Filters

6 Conclusions

The analysis of LC filters for Class-D AD (Traditional) and BD Modulation techniques have been presented. Although peaking is generally undesirable, allowing a small amount of peaking can reduce the size and cost of inductors. Several filter component values are suggested to allow you (system designer) flexibility and to help you decide the optimal values for your designs.

As a system designer, it is important that you are aware of the tradeoffs among:

- Cost
- EMI performance
- Idle current
- Audio distortion

Total Harmonic Distortion Plots for AD and BD Modulation

A.1 BD Modulation for 8-, 6-, and 4-Ω Bridge-Tied Loads

This section contains Total Harmonic Distortion vs Frequency and Total Harmonic Distortion vs Power plots for AD modulation that corresponds to the values in [Table 2](#) through [Table 4](#).

NOTE: All measurements made with Toko 11RHBP inductors and Metal Poly capacitors.

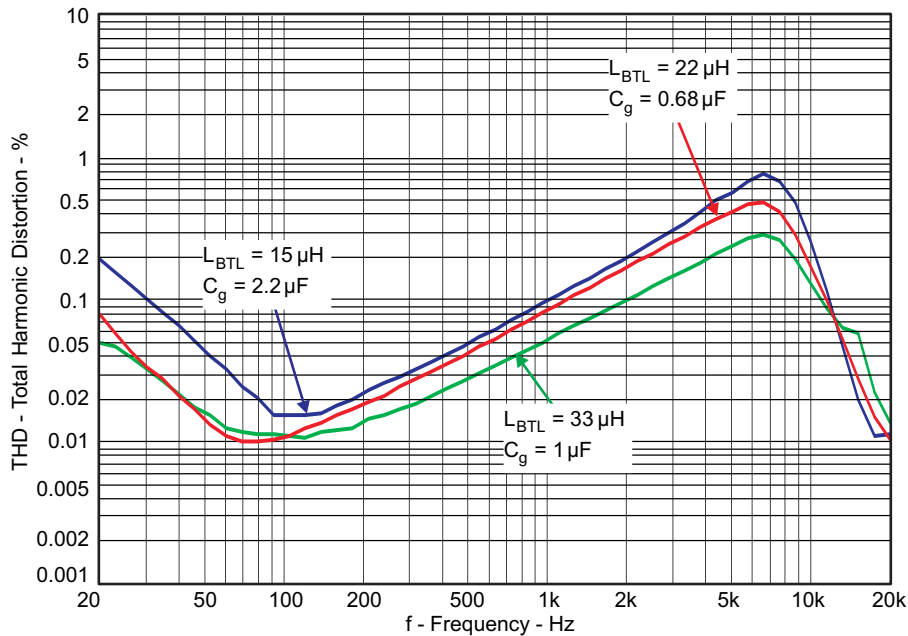


Figure 17. THD vs Frequency, BD Modulation, $R_{BTL} = 8 \Omega$

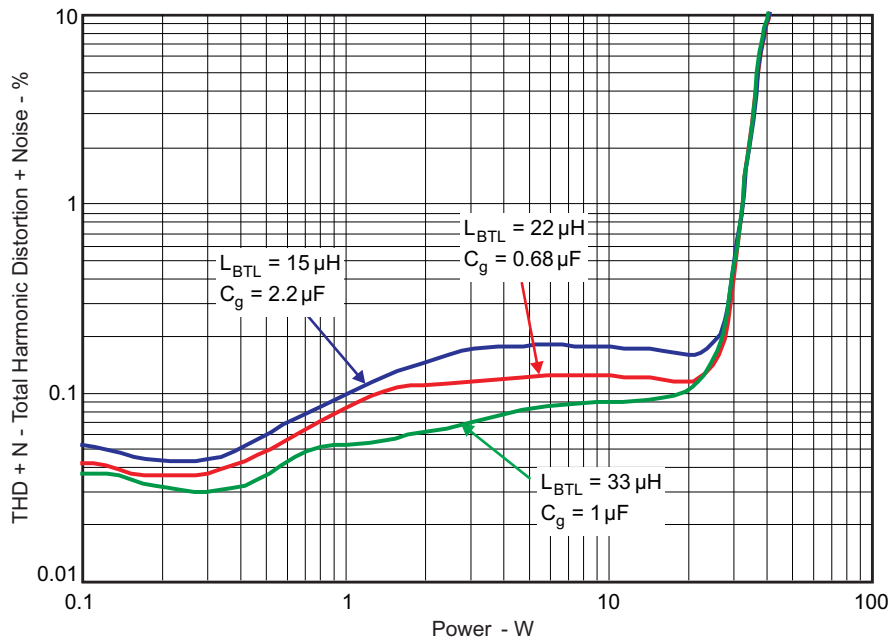


Figure 18. THD vs Power, BD Modulation, $R_{BTL} = 8 \Omega$

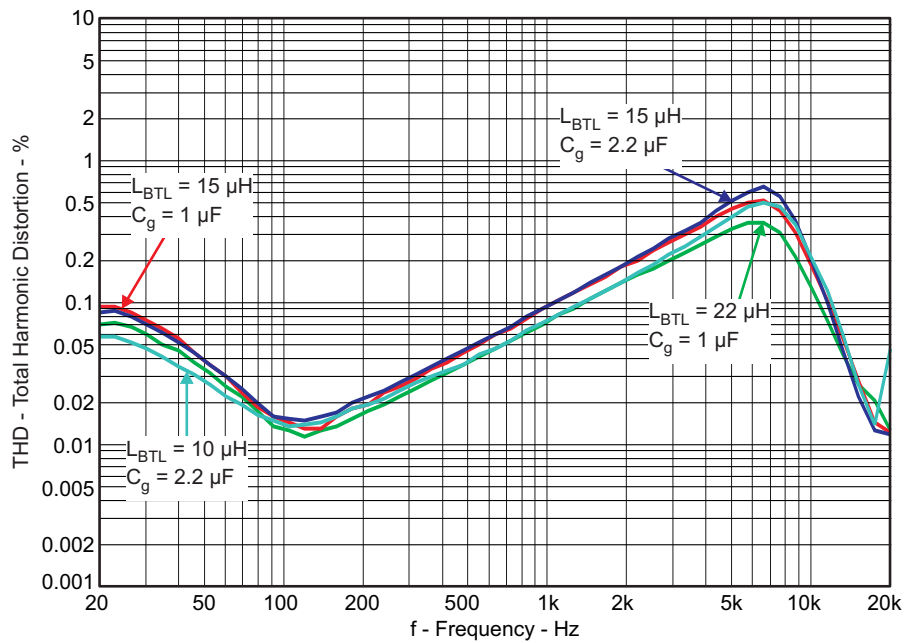


Figure 19. THD vs Frequency, BD Modulation, $R_{BTL} = 6 \Omega$

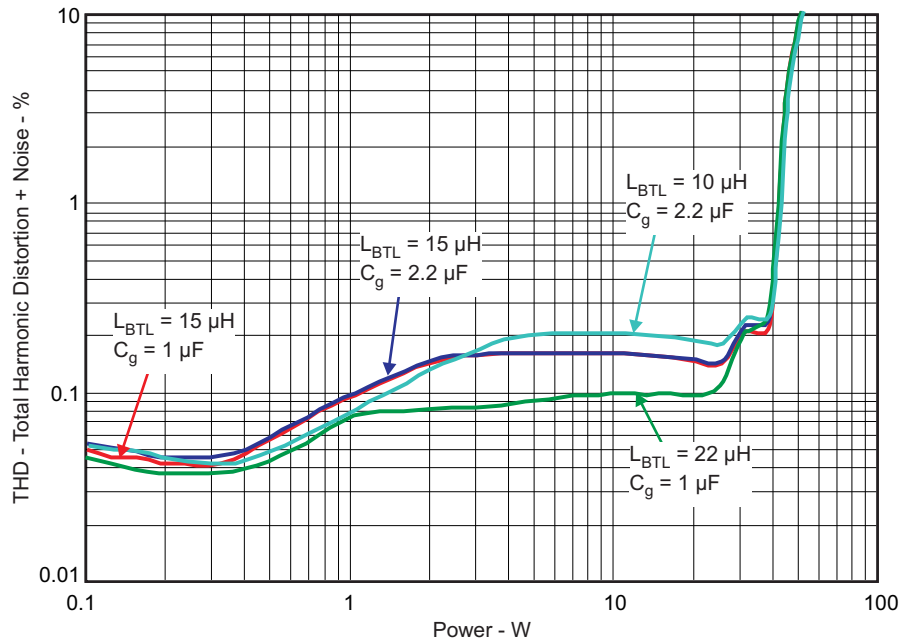


Figure 20. THD vs Power, BD Modulation, $R_{BTL} = 6 \Omega$

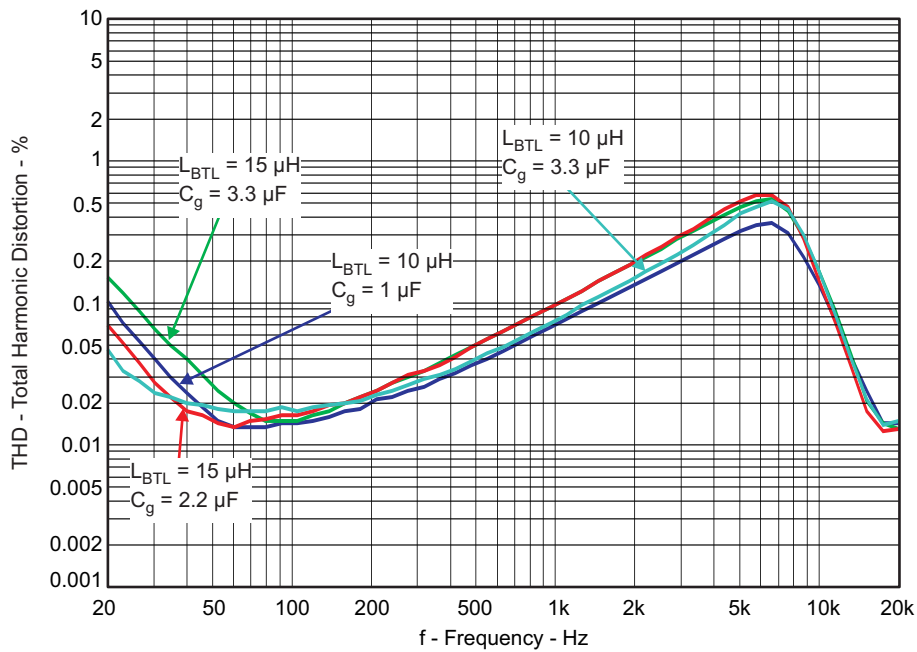


Figure 21. THD vs Frequency, BD Modulation, $R_{BTL} = 4 \Omega$

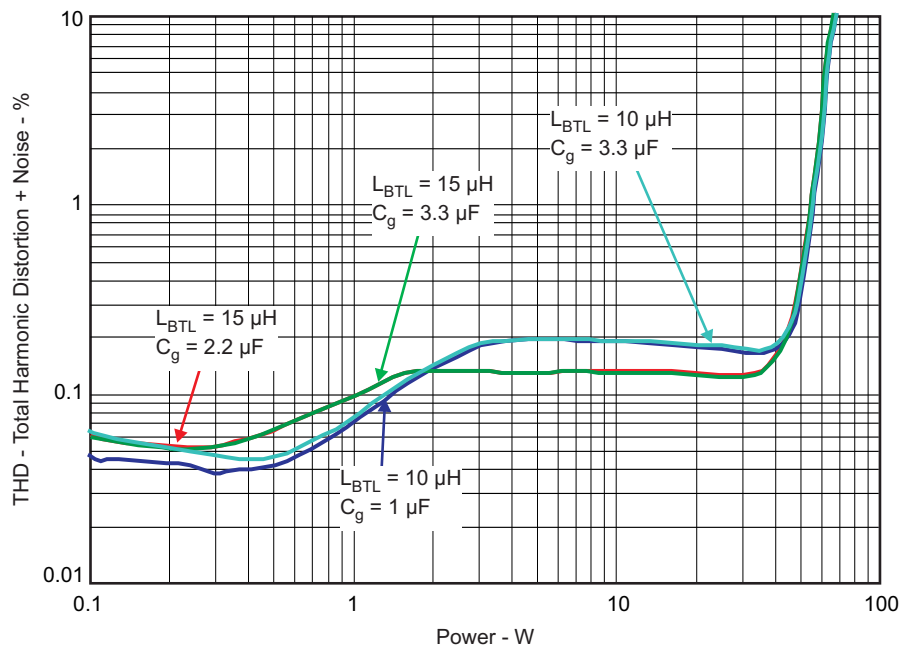


Figure 22. THD vs Power, BD Modulation, $R_{BTL} = 4 \Omega$

A.2 AD Modulation for 8-, 6-, and 4-Ω Bridge-Tied Loads

This section contains Total Harmonic Distortion vs. Frequency and Total Harmonic Distortion vs. Power plots for AD modulation that corresponds to the values in Table 5 through Table 7.

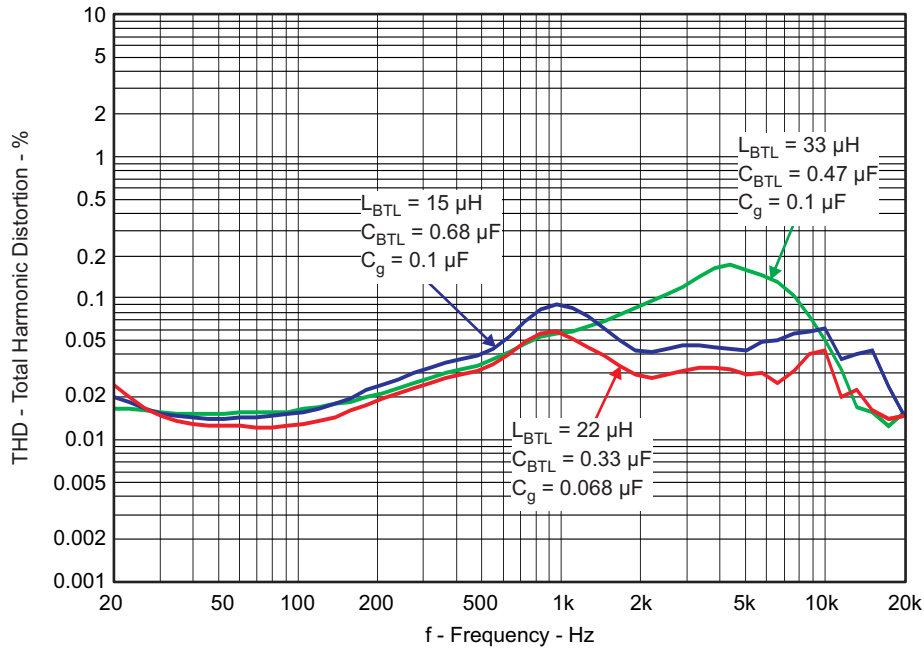


Figure 23. THD vs Frequency, AD Modulation, $R_{BTL} = 8 \Omega$

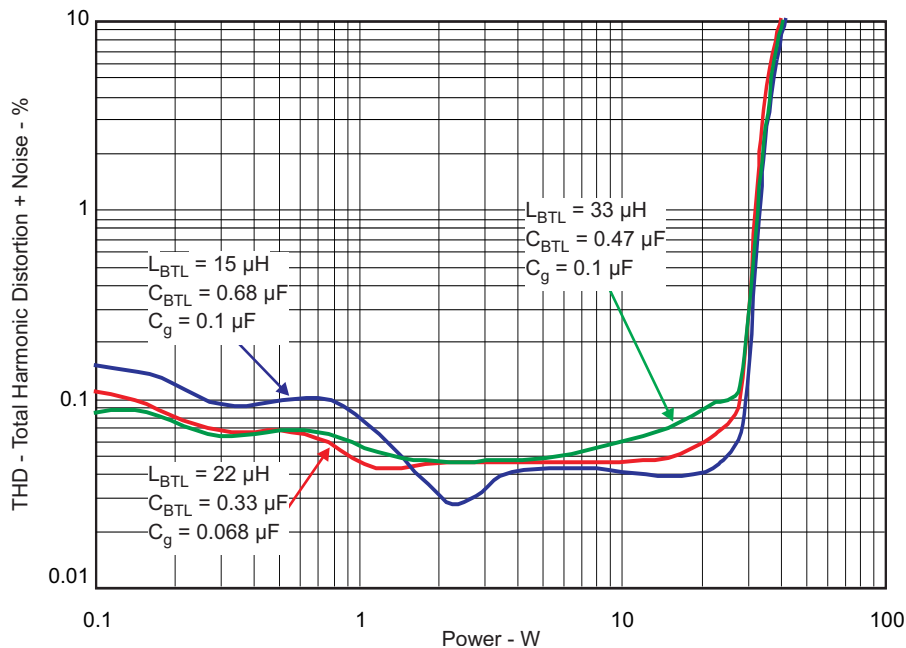


Figure 24. THD vs Power, AD Modulation, $R_{BTL} = 8 \Omega$

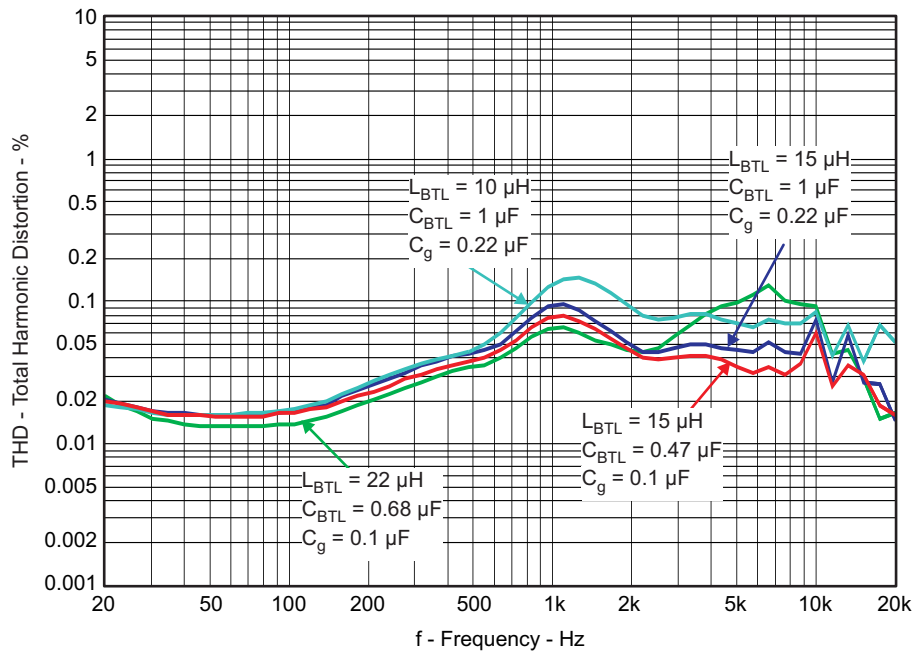


Figure 25. THD vs Frequency, AD Modulation, $R_{BTL} = 6 \Omega$

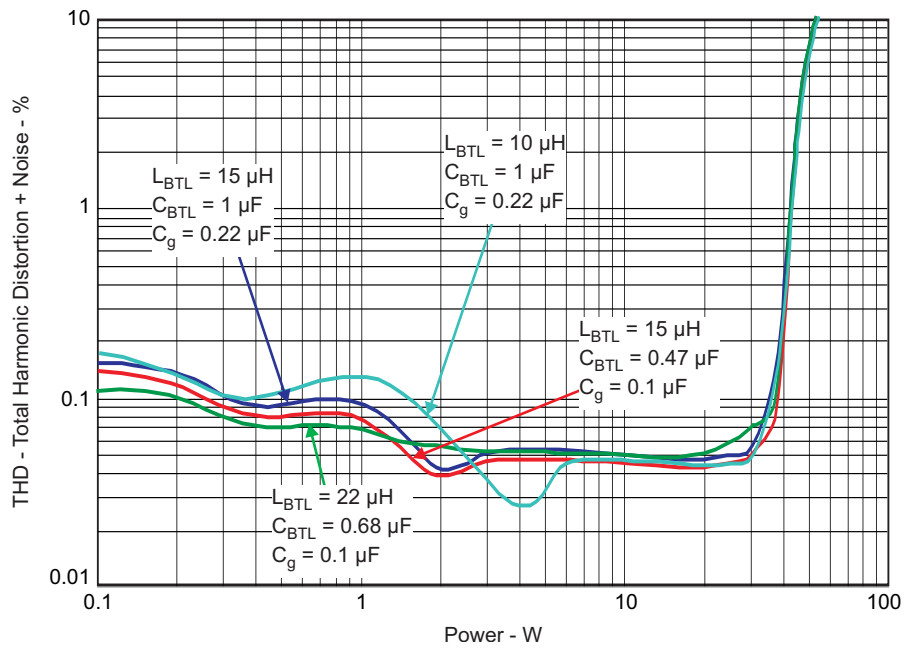


Figure 26. THD vs Power, AD Modulation, $R_{BTL} = 6 \Omega$

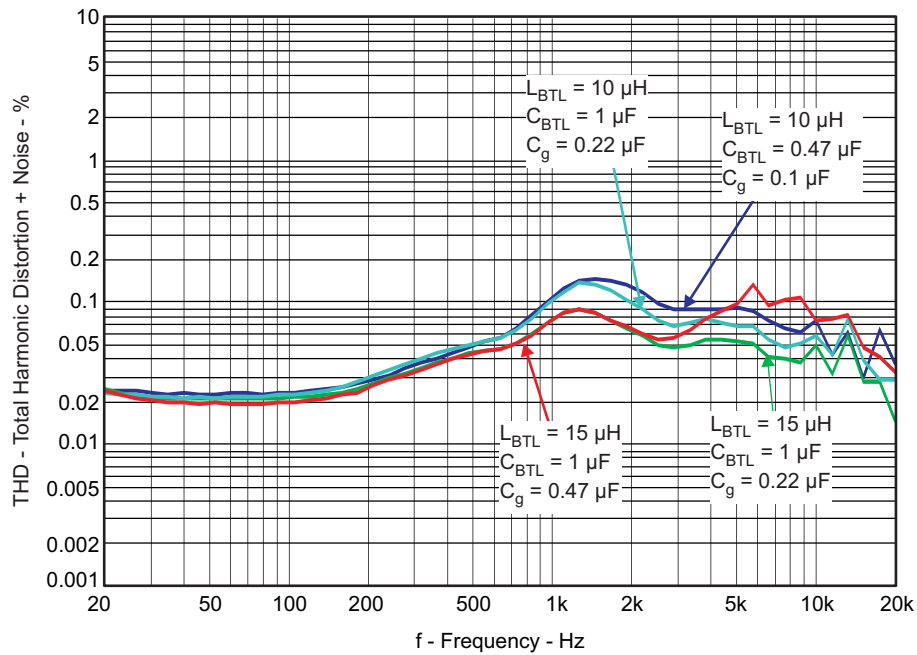


Figure 27. THD vs Frequency, AD Modulation, $R_{BTL} = 4 \Omega$

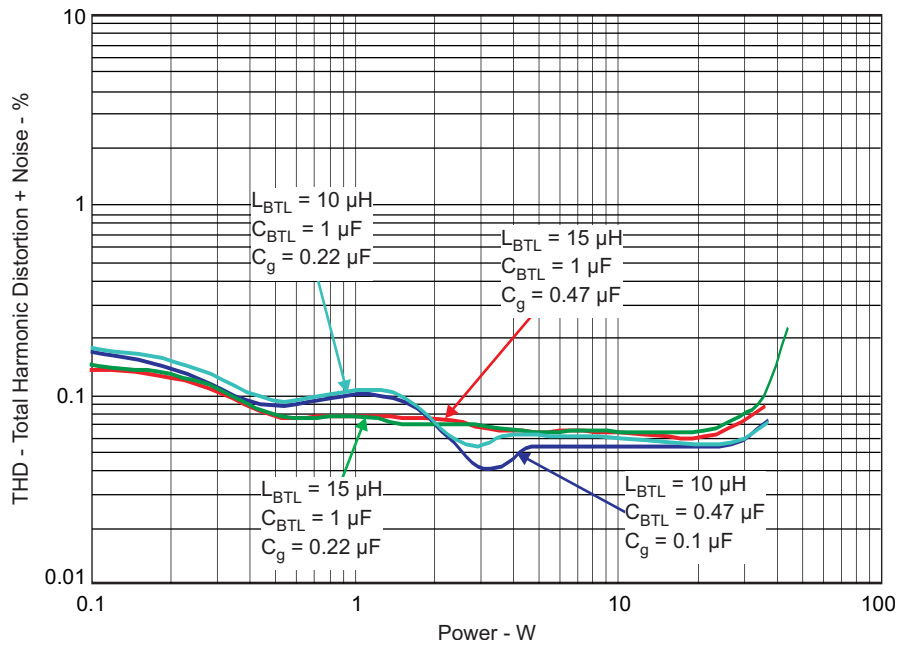


Figure 28. THD vs Power, AD Modulation, $R_{BTL} = 4 \Omega$

Revision History

Changes from A Revision (January 2008) to B Revision	Page
• Changed the release date to February 2015 and changed equation 1 and equation 9	1
• Added <i>1SPW and Ternary Modulation</i> section.	9
• Added <i>LC Filter for SE Output Amplifier</i> section.	14
• Added <i>PBTL</i> section.	14

NOTE: Page numbers for previous revisions may differ from page numbers in the current version.

IMPORTANT NOTICE

Texas Instruments Incorporated and its subsidiaries (TI) reserve the right to make corrections, enhancements, improvements and other changes to its semiconductor products and services per JESD46, latest issue, and to discontinue any product or service per JESD48, latest issue. Buyers should obtain the latest relevant information before placing orders and should verify that such information is current and complete. All semiconductor products (also referred to herein as "components") are sold subject to TI's terms and conditions of sale supplied at the time of order acknowledgment.

TI warrants performance of its components to the specifications applicable at the time of sale, in accordance with the warranty in TI's terms and conditions of sale of semiconductor products. Testing and other quality control techniques are used to the extent TI deems necessary to support this warranty. Except where mandated by applicable law, testing of all parameters of each component is not necessarily performed.

TI assumes no liability for applications assistance or the design of Buyers' products. Buyers are responsible for their products and applications using TI components. To minimize the risks associated with Buyers' products and applications, Buyers should provide adequate design and operating safeguards.

TI does not warrant or represent that any license, either express or implied, is granted under any patent right, copyright, mask work right, or other intellectual property right relating to any combination, machine, or process in which TI components or services are used. Information published by TI regarding third-party products or services does not constitute a license to use such products or services or a warranty or endorsement thereof. Use of such information may require a license from a third party under the patents or other intellectual property of the third party, or a license from TI under the patents or other intellectual property of TI.

Reproduction of significant portions of TI information in TI data books or data sheets is permissible only if reproduction is without alteration and is accompanied by all associated warranties, conditions, limitations, and notices. TI is not responsible or liable for such altered documentation. Information of third parties may be subject to additional restrictions.

Resale of TI components or services with statements different from or beyond the parameters stated by TI for that component or service voids all express and any implied warranties for the associated TI component or service and is an unfair and deceptive business practice. TI is not responsible or liable for any such statements.

Buyer acknowledges and agrees that it is solely responsible for compliance with all legal, regulatory and safety-related requirements concerning its products, and any use of TI components in its applications, notwithstanding any applications-related information or support that may be provided by TI. Buyer represents and agrees that it has all the necessary expertise to create and implement safeguards which anticipate dangerous consequences of failures, monitor failures and their consequences, lessen the likelihood of failures that might cause harm and take appropriate remedial actions. Buyer will fully indemnify TI and its representatives against any damages arising out of the use of any TI components in safety-critical applications.

In some cases, TI components may be promoted specifically to facilitate safety-related applications. With such components, TI's goal is to help enable customers to design and create their own end-product solutions that meet applicable functional safety standards and requirements. Nonetheless, such components are subject to these terms.

No TI components are authorized for use in FDA Class III (or similar life-critical medical equipment) unless authorized officers of the parties have executed a special agreement specifically governing such use.

Only those TI components which TI has specifically designated as military grade or "enhanced plastic" are designed and intended for use in military/aerospace applications or environments. Buyer acknowledges and agrees that any military or aerospace use of TI components which have **not** been so designated is solely at the Buyer's risk, and that Buyer is solely responsible for compliance with all legal and regulatory requirements in connection with such use.

TI has specifically designated certain components as meeting ISO/TS16949 requirements, mainly for automotive use. In any case of use of non-designated products, TI will not be responsible for any failure to meet ISO/TS16949.

Products

Audio	www.ti.com/audio
Amplifiers	amplifier.ti.com
Data Converters	dataconverter.ti.com
DLP® Products	www.dlp.com
DSP	dsp.ti.com
Clocks and Timers	www.ti.com/clocks
Interface	interface.ti.com
Logic	logic.ti.com
Power Mgmt	power.ti.com
Microcontrollers	microcontroller.ti.com
RFID	www.ti-rfid.com
OMAP Applications Processors	www.ti.com/omap
Wireless Connectivity	www.ti.com/wirelessconnectivity

Applications

Automotive and Transportation	www.ti.com/automotive
Communications and Telecom	www.ti.com/communications
Computers and Peripherals	www.ti.com/computers
Consumer Electronics	www.ti.com/consumer-apps
Energy and Lighting	www.ti.com/energy
Industrial	www.ti.com/industrial
Medical	www.ti.com/medical
Security	www.ti.com/security
Space, Avionics and Defense	www.ti.com/space-avionics-defense
Video and Imaging	www.ti.com/video

TI E2E Community

e2e.ti.com