

Dynamic Power-Path Management and Dynamic Power Management

Manuel Diaz-Corrada

BMS Battery Charging Products

ABSTRACT

Dynamic power-path management (DPPM) and dynamic power management (DPM) are two similar features within the battery charger. Dynamic power-path management uses power path, which is the part of the charger IC that separates the system from the battery, allowing for simultaneous battery charging and system power delivery. Both features reduce the battery charging current to give the system priority when the adapter has reached its output current rating. The bq2512x family uses both the DPM and DPPM technology.

Contents

1	DPM Discussion	1
2	DPPM Discussion.....	4
3	Power Transfer Issues	5
4	Frequently Asked Questions About the bq25120A and DPM or DPPM	5

List of Figures

1	Dynamic Power Management - Manages Battery Current Based on Input Current	2
2	V_{INDPM} in Action, Preventing an Adaptor Crash.....	3
3	DPPM – Manages Battery Current Based on Output Voltage (control loops not shown for regulating battery constant current/voltage or battery supplement mode)	4

1 DPM Discussion

Dynamic power management (DPM) is an input current limit routine, which monitors and controls the input current going to the system (ILIM or IINDPM) or an input voltage limit routine, which monitors and controls the input voltage (VINDPM) by using a resistor divider between R_1 and R_2 and comparing it with V_{REF_VINDPM} , which is set by V_{INDPM_DAC} . Both are useful for different situations but both accomplish their task by establishing a max current level on the input.

The system's voltage remains constant because the adapter does not hit a current limit. This supply is connected directly to the system; so, the only change in system voltage is due to the IR drop across Q1, which is associated with the load change.

Because this system voltage remains relatively high, the power dissipation between the input and output is minimized, and, thus, the efficiency remains high.

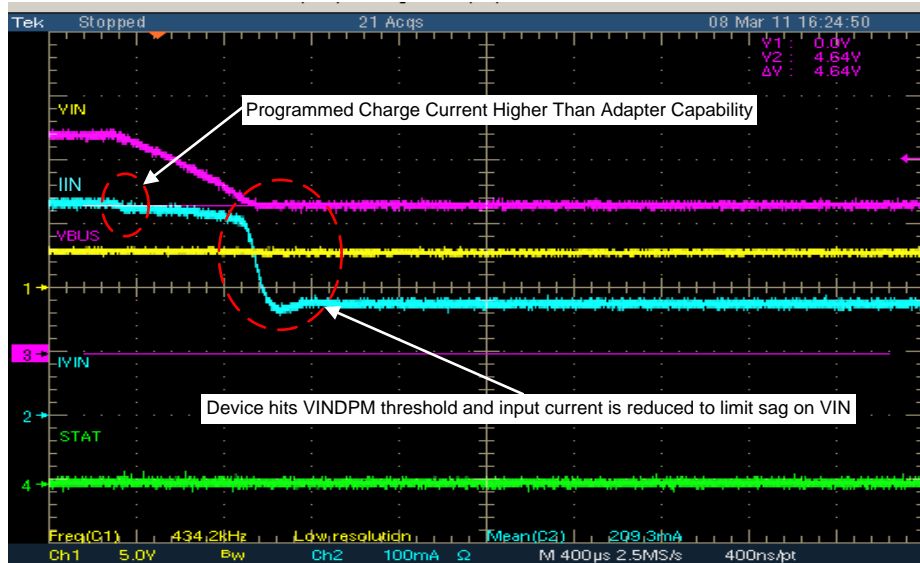


Figure 2. V_{INDPM} in Action, Preventing an Adaptor Crash

The cons of DPM are:

- Wrong adaptor (too low of current rating) may crash system.
- Power grid brown-outs may cause system to crash.

If an adaptor is used which has a lower current limit threshold than the programmed ILIM level, then, during peak loads, the adapter's voltage and system voltage drop, causing a crash due to the adapter hitting the current limit. When this crash occurs, the DPM circuit (if V_{INDPM} is not turned on) does not detect voltage drops and does not reduce the charging current.

Similarly, if the AC power grid experiences a voltage drop and causes the adapter to drop out of regulation, the DPM routine will not reduce the charging current, and the system will likely crash.

2 DPPM Discussion

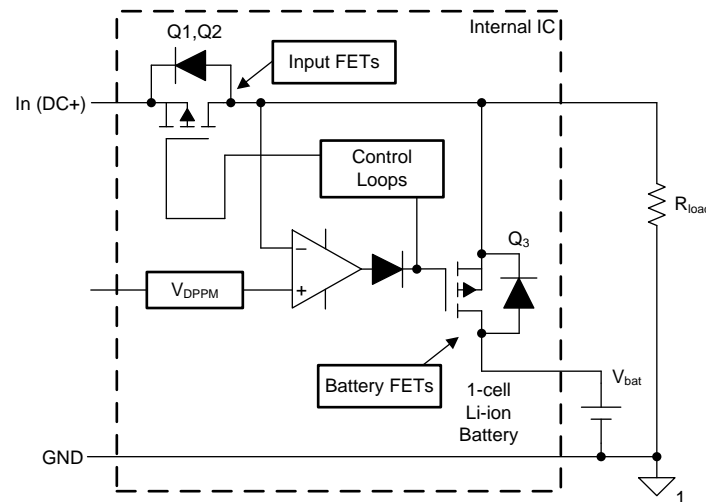


Figure 3. DPPM – Manages Battery Current Based on Output Voltage (control loops not shown for regulating battery constant current/voltage or battery supplement mode)

Dynamic power-path management (DPPM) is a current management routine based on the system voltage; if the system voltage drops below a preprogrammed threshold, due to loss of power or a current-limit threshold, the battery charging current is sufficiently reduced to prevent any further drop in the system voltage. If the charge current drops to zero, then a partially charged battery can enter into supplement mode. This means that the battery aids in providing power to the system once the voltage drops below V_{BSUP1} .

The pros of DPPM are:

- Allows selection of a lower cost adaptor.
- Better protection from system crashes due to low-power adaptors and power grid brown-outs.
- Better efficiency than running off a battery.

A lower cost adaptor may be chosen based on the average load (average system load of 0.5 A plus a fast-charge load of 1 A) instead of a peak load. If a peak system load requires an additional 0.75 A, which is above the average load, then the charging current is reduced by this amount during the peak load transient, preventing a brown out condition and maintaining normal operation.

The DPPM system voltage based routine detects a current-limited adaptor or brown-out condition when the system voltage drops to the detection threshold V_{DPPM} . By reducing the charging current, DPPM helps to keep the system from crashing as long as the system load current alone does not exceed the input current limit of the adaptor. Note that this assumes that the battery is absent or fully depleted; otherwise, the battery would provide the necessary power to the system, further extending system function.

The cons of DPPM are:

- System output voltage transients may affect sensitive circuits like audio amplifiers
- Slightly lower charging efficiency than DPM

The system output voltage drops due to the system and charging load exceeding the current limit of the input adaptor. The lower the DPPM threshold is set, the more the output can fall when the adaptor reaches current limit. This sudden change in system voltage may inject noise into sensitive circuitry such as audio circuits. The best way to minimize this noise is setting the DPPM threshold as high as possible to minimize the output voltage transient. The supply tolerances, IR drops, and tolerances of the DPPM threshold are factors to consider when programming this threshold.

The efficiency is slightly lower during DPPM than DPM in in general, but negligible if the system rarely enters DPPM.

3 Power Transfer Issues

The designer has to consider the timing issues associated with switching between the sources. The battery FET typically takes a small amount of time to be driven on after the output drops to the battery voltage. If the battery has sufficient capacity to handle the system load, then this prevents any system glitches since the battery can provide all power to the load during the switch. If the battery is missing, it can take up to ten times as long, after the lost input drops to within 125 mV of the battery voltage, for the new source to be connected. This requires the system capacitance to provide the system load during this time. A 100- μ F capacitor can deliver 100 mA for 100 μ s and will discharge by 100 mV [$C=i/(dv/dt)$].

4 Frequently Asked Questions About the bq25120A and DPM or DPPM

- How do you set V_{DPPM} ?
 - This is a fixed non-programmable value that set to 0.2 V above V_{BATREG} .
- How is V_{DPPM} triggered?
 - Current is shared between charging the battery and powering the system at PMID, SYS, and LS/LDO. If the sum of the charging current and system current is greater than the current the adapter can support, the V_{INDPM} loop reduces the current going through PMID through the input blocking FETs. When the detected PMID voltage drops below $V_{batreg} + V_{DPPM}$ then the control loop is triggered and the charge current is reduced. This point is known as the DPPM threshold point
- Why do I need DPPM?
 - DPPM provides protection looking at the charger's output voltage. In this case, if the system voltage drops below V_{DPPM} , the charge current is reduced and redirected to the system load, thus preventing a system crash.
 - If further power is needed to prevent a system crash, DPPM mode allows a partially charged battery to supplement the system load.
- Why do I need V_{INDPM} ?
 - V_{INDPM} prevents an adapter from crashing by reducing current instead of voltage. This allows for charging to continue, albeit at a slower pace.
 - V_{INDPM} provides protection at the input of the charger (output of the adapter). If a system is requiring more power than the adapter can provide, V_{INDPM} keeps the adapter from trying to provide that power by reducing the charge current. When the supply voltage reaches V_{INDPM} threshold, the DPM loop reduces the charging current to prevent overloading of the adapter. Through these actions, DPM allows the user to select any adapter for charging and avoid hiccups from overloading.
- How do you set V_{INDPM} ?
 - V_{INDPM} is programmable with I²C from 4.2 V – 4.9 V in 100-mV steps. The default setting is $V_{INDPM} = 4.6$ V. Setting the V_{INDPM_ON} register (B7) to 0 enables the V_{INDPM} register and 1 disables V_{INDPM} . See table 24 on the data sheet.
- What are the benefits of software controlled V_{INDPM} ?
 - The benefit of software controlled V_{INDPM} is its flexibility. Any customer can change it after production to suit their applications, including factoring in increased resistance of a cable, more headroom, or even different combinations of lithium ion chemistries that require more or less headroom.
- What do they have in common?
 - Both methods give priority to the system by reducing the charging current when the adapter reaches its maximum limit, thus improving the safety of the system and providing a more consistent user experience.
- How do safety timers extend and why do they extend in DPM?
 - The charge safety timer (t_{maxchg}) and precharge safety timer (t_{prechg}) are programmable with I²C. T_{maxchg} can be set from 2 to 540 minutes, and t_{prechg} is 10% of t_{maxchg} . The device's 2X timer prevents the safety timer from expiring too early when the charge current is reduced in V_{INDPM} mode. Therefore, the safety time is extended while V_{INDPM} is active if the 2X timer is set, and the timer runs at half speed.

- The reason for this extension is because V_{INDPM} slows down the charge rate, if the timer did not extend then it would be possible for the timer to trigger even when everything was working as intended.
- How is termination affected by DPM and DPPM?
 - For both DPPM and DPM battery termination is disabled.
- What do I need to keep in mind when designing a system in relation to DPPM or DPM?
 - When designing a system in relation to DPM you need to consider that the DPM loop could reduce current going to PMID through input blocking FETs, causing a drop in PMID voltage. Therefore a low enough VIN could be reduced to a voltage below the battery voltage due to losses within the system, preventing full charge of a battery.
 - One of the reasons for these losses is R_{DSON} . R_{DSON} is the resistances of the two FETs to turn on. The higher the resistance, the higher the voltage drops, based on power loss (resistance x current²). When calculating the necessary headroom, a higher R_{DSON} would require a higher starting VIN. This is called headroom, and it needs to be taken into account when designing the lowest voltage you allow before DPM goes into effect.
 - The specific formula for calculating headroom is $VIN = VBAT + VDO(IN - PMID) + RDS(BAT-FET) * I_{CHG}$
 - Since DPPM is only related to the output, there are no considerations to be taken in relation to charging the system.

Revision History

NOTE: Page numbers for previous revisions may differ from page numbers in the current version.

Changes from Original (January 2007) to A Revision	Page
• Changed organization of document.....	1
• Added Frequently Asked Questions About the bq25120A and DPM or DPPM section	5
• Deleted Design Example for Setting the DPPM Threshold Using the bq24032A IC section.....	6

IMPORTANT NOTICE FOR TI DESIGN INFORMATION AND RESOURCES

Texas Instruments Incorporated ("TI") technical, application or other design advice, services or information, including, but not limited to, reference designs and materials relating to evaluation modules, (collectively, "TI Resources") are intended to assist designers who are developing applications that incorporate TI products; by downloading, accessing or using any particular TI Resource in any way, you (individually or, if you are acting on behalf of a company, your company) agree to use it solely for this purpose and subject to the terms of this Notice.

TI's provision of TI Resources does not expand or otherwise alter TI's applicable published warranties or warranty disclaimers for TI products, and no additional obligations or liabilities arise from TI providing such TI Resources. TI reserves the right to make corrections, enhancements, improvements and other changes to its TI Resources.

You understand and agree that you remain responsible for using your independent analysis, evaluation and judgment in designing your applications and that you have full and exclusive responsibility to assure the safety of your applications and compliance of your applications (and of all TI products used in or for your applications) with all applicable regulations, laws and other applicable requirements. You represent that, with respect to your applications, you have all the necessary expertise to create and implement safeguards that (1) anticipate dangerous consequences of failures, (2) monitor failures and their consequences, and (3) lessen the likelihood of failures that might cause harm and take appropriate actions. You agree that prior to using or distributing any applications that include TI products, you will thoroughly test such applications and the functionality of such TI products as used in such applications. TI has not conducted any testing other than that specifically described in the published documentation for a particular TI Resource.

You are authorized to use, copy and modify any individual TI Resource only in connection with the development of applications that include the TI product(s) identified in such TI Resource. NO OTHER LICENSE, EXPRESS OR IMPLIED, BY ESTOPPEL OR OTHERWISE TO ANY OTHER TI INTELLECTUAL PROPERTY RIGHT, AND NO LICENSE TO ANY TECHNOLOGY OR INTELLECTUAL PROPERTY RIGHT OF TI OR ANY THIRD PARTY IS GRANTED HEREIN, including but not limited to any patent right, copyright, mask work right, or other intellectual property right relating to any combination, machine, or process in which TI products or services are used. Information regarding or referencing third-party products or services does not constitute a license to use such products or services, or a warranty or endorsement thereof. Use of TI Resources may require a license from a third party under the patents or other intellectual property of the third party, or a license from TI under the patents or other intellectual property of TI.

TI RESOURCES ARE PROVIDED "AS IS" AND WITH ALL FAULTS. TI DISCLAIMS ALL OTHER WARRANTIES OR REPRESENTATIONS, EXPRESS OR IMPLIED, REGARDING TI RESOURCES OR USE THEREOF, INCLUDING BUT NOT LIMITED TO ACCURACY OR COMPLETENESS, TITLE, ANY EPIDEMIC FAILURE WARRANTY AND ANY IMPLIED WARRANTIES OF MERCHANTABILITY, FITNESS FOR A PARTICULAR PURPOSE, AND NON-INFRINGEMENT OF ANY THIRD PARTY INTELLECTUAL PROPERTY RIGHTS.

TI SHALL NOT BE LIABLE FOR AND SHALL NOT DEFEND OR INDEMNIFY YOU AGAINST ANY CLAIM, INCLUDING BUT NOT LIMITED TO ANY INFRINGEMENT CLAIM THAT RELATES TO OR IS BASED ON ANY COMBINATION OF PRODUCTS EVEN IF DESCRIBED IN TI RESOURCES OR OTHERWISE. IN NO EVENT SHALL TI BE LIABLE FOR ANY ACTUAL, DIRECT, SPECIAL, COLLATERAL, INDIRECT, PUNITIVE, INCIDENTAL, CONSEQUENTIAL OR EXEMPLARY DAMAGES IN CONNECTION WITH OR ARISING OUT OF TI RESOURCES OR USE THEREOF, AND REGARDLESS OF WHETHER TI HAS BEEN ADVISED OF THE POSSIBILITY OF SUCH DAMAGES.

You agree to fully indemnify TI and its representatives against any damages, costs, losses, and/or liabilities arising out of your non-compliance with the terms and provisions of this Notice.

This Notice applies to TI Resources. Additional terms apply to the use and purchase of certain types of materials, TI products and services. These include; without limitation, TI's standard terms for semiconductor products (<http://www.ti.com/sc/docs/stdterms.htm>), [evaluation modules](#), and [samples](http://www.ti.com/sc/docs/sampterm.htm) (<http://www.ti.com/sc/docs/sampterm.htm>).

Mailing Address: Texas Instruments, Post Office Box 655303, Dallas, Texas 75265
Copyright © 2018, Texas Instruments Incorporated