

# Exceeding Modern Energy Standards with "Always On" PFC and LLC Controllers



Efficiency and standby power have become greater points of emphasis in grid-connected applications as product regulations continue to demand enhanced performance in these key areas. This is especially true in the personal electronics space for applications such as digital TV, desktop computing, AC adapters, and gaming consoles. The following is a summary of a few energy standards in use today.

DOE Level VI (50 W to 249 W)	
Standby Power Requirement	<210 mW
Regulates Efficiency Performance at:	25%, 50%, 75%, 100% of Full Load
Minimum 4 Point Efficiency Average	88%

CoC Tier II (50 W to 249 W)	
Standby Power Requirement	<150 mW
Regulates Efficiency Performance at:	10%, 25%, 50%, 100% of Full Load
Minimum 5 Point Efficiency Average	88%

80 Plus Gold (115V Non-Redundant)	
Power Factor Requirement	0.9 at 50% of Full Load
Regulates Efficiency Performance at:	20%, 50%, 100% of Full Load
Efficiency Requirement	87% at 20% Load, 90% at 50% Load, 87% at 100% Load

80 Plus Gold (230V Redundant)	
Power Factor Requirement	0.9 at 50% of Full Load
Regulates Efficiency Performance at:	20%, 50%, 100% of Full Load
Efficiency Requirement	87% at 20% Load, 90% at 50% Load, 87% at 100% Load

These regulations have led to a surge in complex power sequencing strategies to shut down portions of the power system to elevate light load efficiency. While effective, shutting down sections of the power system such as the PFC stage requires the downstream isolated DC/DC converter to be designed to operate over a wide input voltage range. In addition, circuitry to enable the PFC stage must cross over the isolation boundary, adding significant cost to AC-DC systems.

## Efficiency

The UCC28056X, a 6-pin transition mode PFC controller, features a highly advanced burst mode feature that significantly improves light load efficiency and reduces no load standby power to a minimum. When paired with a UCC25630x LLC controller, an AC-DC design can achieve less than 60 mW of no load standby power at 115 V ac and less than 80 mW of no load standby power at 230 VAC while both the PFC and LLC converters are enabled. The advanced features of both the UCC28056X and UCC25630x enable AC-DC designs to satisfy modern energy standards with ease.

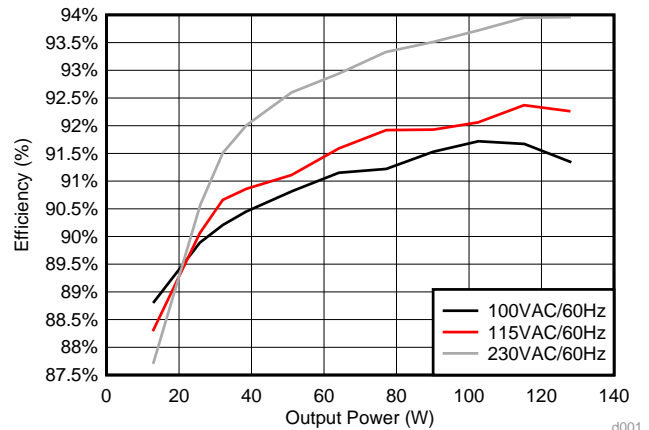


Figure 1. UCC28056 and UCC25630x Efficiency

An AC-DC system using the UCC28056X and UCC25630x chipset has many advantages. The light load and standby power performance of the UCC28056X enables applications to keep the PFC always on while still meeting the efficiency and standby targets of DOE Level VI and CoC Tier II. Keeping the PFC on eliminates the need for an auxiliary flyback converter as well as small signal and isolation circuitry to enable and disable the PFC, saving size, cost, and complexity. In addition, keeping the PFC on allows the system to instantaneously deliver full load power as the LLC converter no longer needs to wait for the PFC bulk capacitance to charge.

## Simplified System Solution

Figure 2 illustrates how the UCC28056 and UCC25630x chipset simplifies AC-DC power supply design without compromising functionality or performance. The superior light load performance of the UCC28056X and UCC25630x eliminates the need

for an auxiliary flyback to meet light-load power targets. In addition, the rich feature set of the UCC28056X and UCC25630x greatly reduces the amount of external circuitry needed to realize a complete AC-DC power supply as shown in Figure 2.

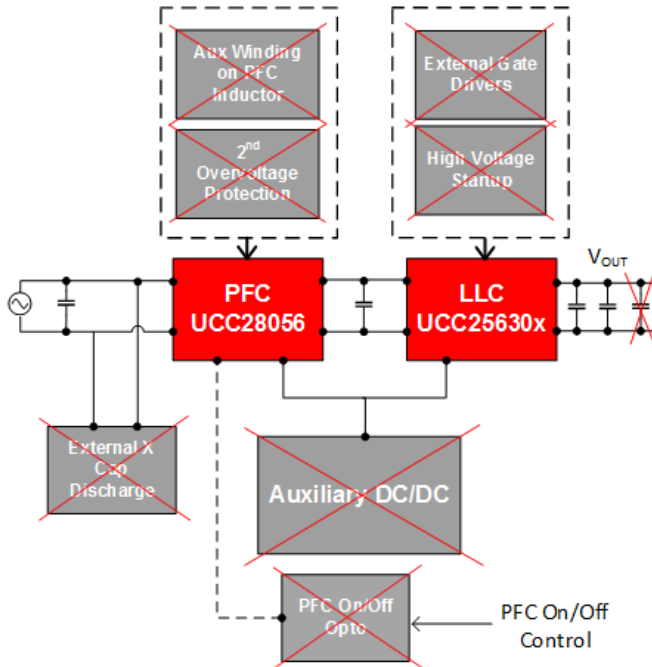


Figure 2. Complete AC-DC Power Supply

Elimination of the auxiliary DC/DC supply not only yields great cost savings, but also reduces solution size and BOM count, which items of great importance for high power density applications. The elimination of the aux winding allows for cheaper magnetics as well as greater freedom in layout. The unique hybrid hysteretic control method of the UCC25630x offers superior load transient response, requiring less output capacitance to meet a desired output regulation requirement.

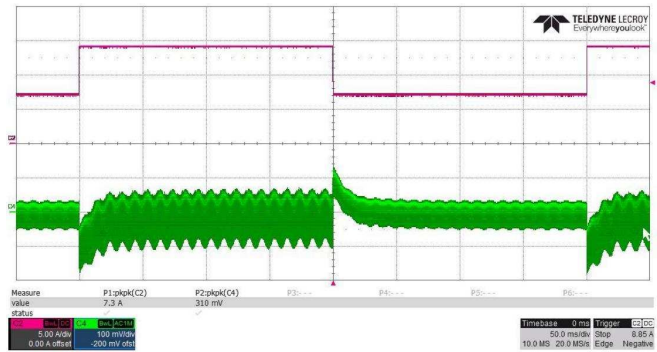


Figure 3. PMP21098 7 A to 14.2 A Transient Response

The UCC28056X and UCC25630x chipset enable robust AC-DC designs that not only meet modern energy standards, but also reduce complexity and component count, as well as enable greater power density.

#### Related Documentation

- [TIDA-01557](#), >92% Efficiency, 200 W, <125 mW Standby, Fast Transient, Desktop PC PSU Reference Design
- [PMP21098](#), 170 W Auxless AC/DC Power Supply Reference Design with 80 PLUS Gold Compatible Performance
- [PMP21251](#), Less than 90 mW Ultra-low Standby Power Auxless AC-DC Power Supply Reference Design
- [SLUA865](#), Optimizing Efficiency and Standby Power With the UCC28056X in Offline Applications
- [SLUA834](#), Improving Transient Response in LLC Converters Using Hybrid Hysteretic Control

## IMPORTANT NOTICE AND DISCLAIMER

TI PROVIDES TECHNICAL AND RELIABILITY DATA (INCLUDING DATASHEETS), DESIGN RESOURCES (INCLUDING REFERENCE DESIGNS), APPLICATION OR OTHER DESIGN ADVICE, WEB TOOLS, SAFETY INFORMATION, AND OTHER RESOURCES "AS IS" AND WITH ALL FAULTS, AND DISCLAIMS ALL WARRANTIES, EXPRESS AND IMPLIED, INCLUDING WITHOUT LIMITATION ANY IMPLIED WARRANTIES OF MERCHANTABILITY, FITNESS FOR A PARTICULAR PURPOSE OR NON-INFRINGEMENT OF THIRD PARTY INTELLECTUAL PROPERTY RIGHTS.

These resources are intended for skilled developers designing with TI products. You are solely responsible for (1) selecting the appropriate TI products for your application, (2) designing, validating and testing your application, and (3) ensuring your application meets applicable standards, and any other safety, security, or other requirements. These resources are subject to change without notice. TI grants you permission to use these resources only for development of an application that uses the TI products described in the resource. Other reproduction and display of these resources is prohibited. No license is granted to any other TI intellectual property right or to any third party intellectual property right. TI disclaims responsibility for, and you will fully indemnify TI and its representatives against, any claims, damages, costs, losses, and liabilities arising out of your use of these resources.

TI's products are provided subject to TI's Terms of Sale ([www.ti.com/legal/termsofsale.html](http://www.ti.com/legal/termsofsale.html)) or other applicable terms available either on [ti.com](http://ti.com) or provided in conjunction with such TI products. TI's provision of these resources does not expand or otherwise alter TI's applicable warranties or warranty disclaimers for TI products.

Mailing Address: Texas Instruments, Post Office Box 655303, Dallas, Texas 75265  
Copyright © 2019, Texas Instruments Incorporated