

A Planar, Balanced Approach to Increase Transmitter Linearity

Tim McGovern

Wireless Infrastructure - Radio

ABSTRACT

The TI TRF1123 MMIC transmitter chip is a highly linear power amplifier with digital gain control, mute control, and output power detection for use in MMDS/MDS/WCS applications. With a typical P_{1dB} of 31 dBm and a third-order intercept point of 46 dBm, the TRF1123 makes an excellent output stage for communication systems, particularly those that employ high-order modulation schemes such as 64 QAM and OFDM.

In applications with higher output power and/or higher linearity requirements, two TRF1123s can be combined in a balanced configuration to increase the P_{1dB} and third-order intercept points. An ideal balanced configuration provides low input and output VSWR in addition to a 3 dB improvement of the power and linearity performance. Typical microstrip balanced power combiners use a *Lange* type combiner, which, although effective, has the disadvantage of a non-planar implementation. This application note documents a novel design approach for a planar, balanced power combiner and presents results using the TRF1123 transmitter chip.

Contents

1	The Traveling-Wave Divider/Combiner	1
2	Balanced TRF1123 Design and Layout	2
3	Measured Performance	3
4	Summary.....	5

List of Figures

1	2-Way Traveling Wave Divider/Combiner Architecture	2
2	TRF1123 Balanced Stage Layout on Park-Nelco N4000-13	3
3	P_{1dB} Performance of a Balanced TRF1123 Stage	4
4	Output IP3 Performance of a Balanced TRF1123 Stage.....	4
5	Gain Performance of a Balanced TRF1123 Stage.....	5

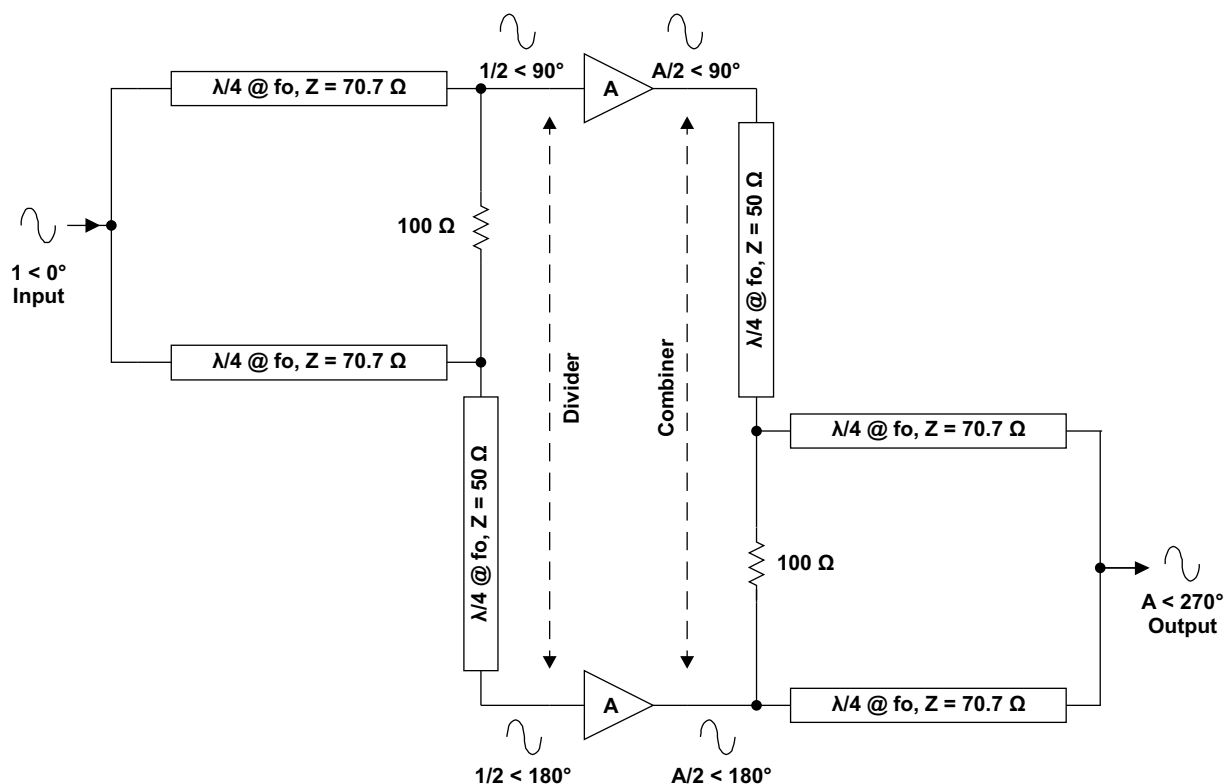
1 The Traveling-Wave Divider/Combiner

The Traveling-Wave Divider/Combiner⁽¹⁾ is a planar structure used to increase output power by combining parallel amplifier stages. The simplest implementation is a 2-way *Wilkinson* type divider/combiner with a 90° transmission line in one arm. The Wilkinson divider provides an equal-power, equal-phase power split and the transmission line shifts the phase of one path by 90° so at the output of the divider we have two equal power signals in quadrature (phase shifted by 90°) as shown in [Figure 1](#). Two identical power amplifiers with gain *A* are placed in each arm. Any reflected power at the input to the amplifier is

⁽¹⁾ Alain Bert and Didier Kaminsky, *The Traveling-Wave Divider/Combiner*, *IEEE Trans. on Microwave Theory and Techniques*, vol. MTT-28, No. 12 December, 1980.

terminated in the 100- Ω isolation resistor, since the reflected power of the two arms at the resistor is 180° out of phase. A combiner with similar properties is placed at the output to combine both output signals from the amplifiers, but the extra 90° line is placed in the opposite arm so that the output signals add in phase through the combiner. Assuming no loss and perfect combining, the 2-way combiner will increase output power and linearity by 3 dB. Given a *real life* application, the typical increase is 2.5 dB.

Even though this power combiner is comprised of multiple quarter-wave lines, the *Wilkinson* type divider/combiner with a 90° transmission line has a broad bandwidth, significantly wider than a branch-line type combiner, and has low loss. Since the combiner is planar, it is much easier to fabricate using standard PCB technology. The example we show in [Figure 1](#) has a 50- Ω impedance at the amplifier input. However, lower impedances can be achieved by increasing the transformation ratio in the quarter wave lines. Unlike branch line or *Lange* type combiners, the *Wilkinson* type divider/combiner easily scales to 4-way combining for even higher power.



S0068-01

Figure 1. 2-Way Traveling Wave Divider/Combiner Architecture

2 Balanced TRF1123 Design and Layout

A balanced stage using the two-way divider/combiner and TRF1123s was constructed and tested. The layout, shown in [Figure 2](#), was designed on Park-Nelco N4000-13, a low-cost, high-performance FR4 PCB material. The board consisted of four layers: an RF layer (top), an RF ground layer, a trace interconnect layer, and another ground layer (bottom). The RF layer and RF ground layer are fabricated using a Park-Nelco N4000-13 0.01" mil core. The trace interconnect (3rd layer) and bottom ground layer are fabricated using a 0.01" thick FR4 core for cost reasons. The two cores are bonded together with an 0.008" prepreg layer. Starting copper thickness is 1 oz (to help thermal dissipation) resulting in an overall board thickness of 0.035". The TRF1123 has thermal vias under the package to lower thermal resistance.

The layout and bias circuitry details for the TRF1123 can be found in the data sheet. Proper attention to the layout guidelines listed is required.

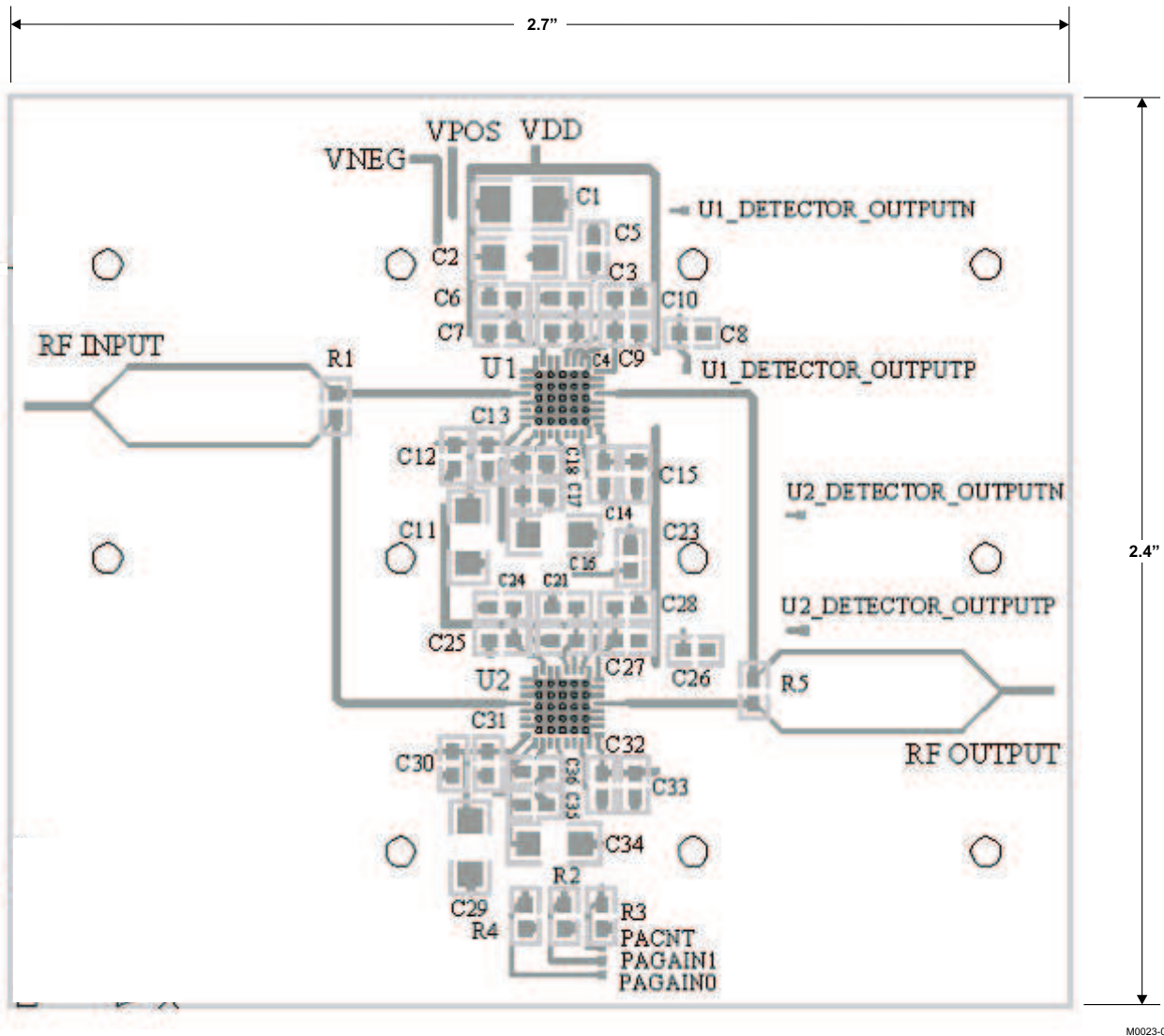


Figure 2. TRF1123 Balanced Stage Layout on Park-Nelco N4000-13

3 Measured Performance

The measured output power (P-1dB) of the balanced TRF1123 is shown in [Figure 3](#) and the measured two-tone IP3 is shown in [Figure 4](#). The figures show data for 5-V and 7-V operation. The performance of the balanced stage is 2.5 dB to 2.8 dB better than performance of a single-ended unit under the same conditions. The measured gain for the balanced stage is similar to single-ended performance and is shown in [Figure 5](#).

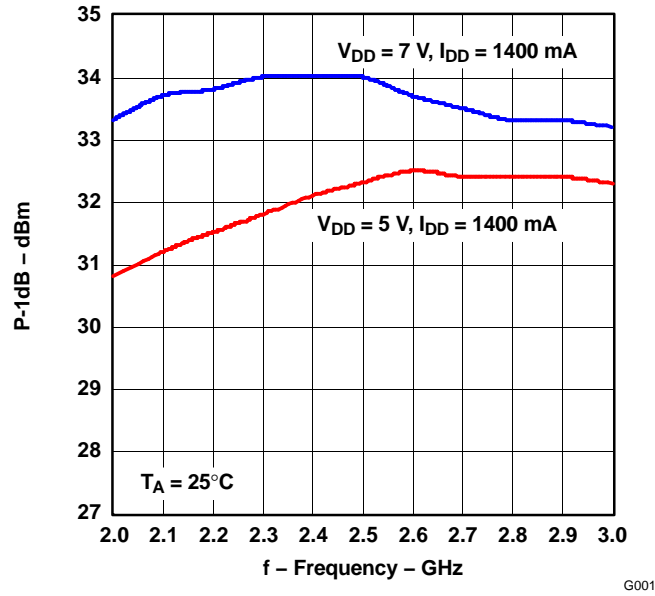


Figure 3. P_{1dB} Performance of a Balanced TRF1123 Stage

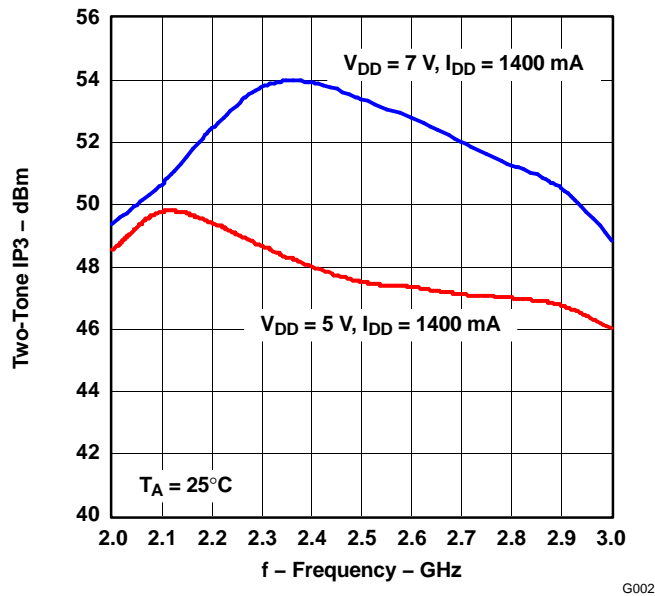


Figure 4. Output IP₃ Performance of a Balanced TRF1123 Stage

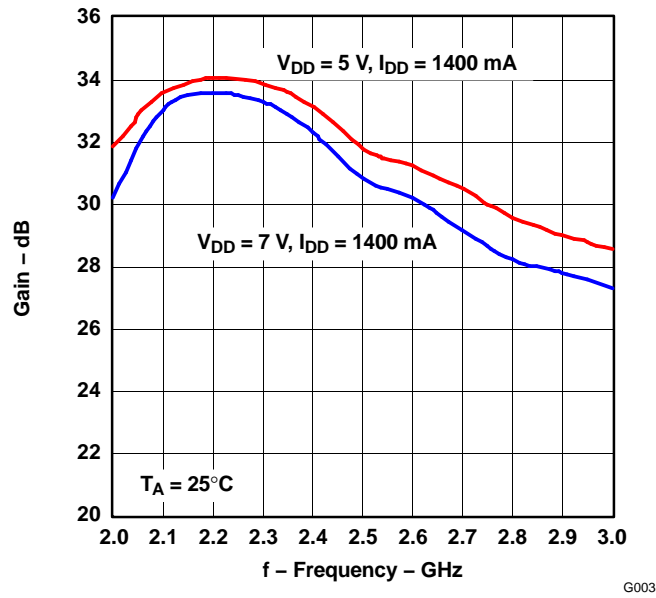


Figure 5. Gain Performance of a Balanced TRF1123 Stage

4 Summary

This novel design approach for combining two power amplifiers offers simple low-cost implementation, wide bandwidth (approximately 40% versus 15% for a branch-line approach), and economical use of PCB space.

IMPORTANT NOTICE

Texas Instruments Incorporated and its subsidiaries (TI) reserve the right to make corrections, modifications, enhancements, improvements, and other changes to its products and services at any time and to discontinue any product or service without notice. Customers should obtain the latest relevant information before placing orders and should verify that such information is current and complete. All products are sold subject to TI's terms and conditions of sale supplied at the time of order acknowledgment.

TI warrants performance of its hardware products to the specifications applicable at the time of sale in accordance with TI's standard warranty. Testing and other quality control techniques are used to the extent TI deems necessary to support this warranty. Except where mandated by government requirements, testing of all parameters of each product is not necessarily performed.

TI assumes no liability for applications assistance or customer product design. Customers are responsible for their products and applications using TI components. To minimize the risks associated with customer products and applications, customers should provide adequate design and operating safeguards.

TI does not warrant or represent that any license, either express or implied, is granted under any TI patent right, copyright, mask work right, or other TI intellectual property right relating to any combination, machine, or process in which TI products or services are used. Information published by TI regarding third-party products or services does not constitute a license from TI to use such products or services or a warranty or endorsement thereof. Use of such information may require a license from a third party under the patents or other intellectual property of the third party, or a license from TI under the patents or other intellectual property of TI.

Reproduction of information in TI data books or data sheets is permissible only if reproduction is without alteration and is accompanied by all associated warranties, conditions, limitations, and notices. Reproduction of this information with alteration is an unfair and deceptive business practice. TI is not responsible or liable for such altered documentation.

Resale of TI products or services with statements different from or beyond the parameters stated by TI for that product or service voids all express and any implied warranties for the associated TI product or service and is an unfair and deceptive business practice. TI is not responsible or liable for any such statements.

Following are URLs where you can obtain information on other Texas Instruments products and application solutions:

Products		Applications	
Amplifiers	amplifier.ti.com	Audio	www.ti.com/audio
Data Converters	dataconverter.ti.com	Automotive	www.ti.com/automotive
DSP	dsp.ti.com	Broadband	www.ti.com/broadband
Interface	interface.ti.com	Digital Control	www.ti.com/digitalcontrol
Logic	logic.ti.com	Military	www.ti.com/military
Power Mgmt	power.ti.com	Optical Networking	www.ti.com/opticalnetwork
Microcontrollers	microcontroller.ti.com	Security	www.ti.com/security
		Telephony	www.ti.com/telephony
		Video & Imaging	www.ti.com/video
		Wireless	www.ti.com/wireless

Mailing Address: Texas Instruments
Post Office Box 655303 Dallas, Texas 75265