

The SN65LVDS33/34 as an ECL-to-LVTTL converter

By Chris Sterzik

Applications Specialist, Interface Products

Introduction

Emitter-coupled logic (ECL) has often been the physical layer of choice for system designers to meet high-speed data transmission requirements. The fast edges (rise and fall times) of ECL have permitted higher speeds, but at the expense of increased PC board complexity, power consumption, and electromagnetic interference (EMI). Now, lower power and lower EMI technologies like LVDS provide designers with an alternative. While the total exchange of ECL for LVDS may not be a design option, designers have been able to introduce LVDS receivers in ECL systems by implementing a resistor divider and capacitive coupling. These capacitors and resistors further add to the complexity and part count of a design. To alleviate the complexity of interfacing with ECL, TI has introduced the SN65LVDS33/34 receivers. This article describes a basic interface between an LVDS receiver and an ECL driver, and how the SN65LVDS33/34 receivers can be used to convert different types of ECL to LVTTL without a resistor divider or capacitive coupling. This article also demonstrates that, since no additional components are needed with wide common-mode receivers, these receivers can be used as a first step to replace an ECL physical layer with LVDS.

PECL and LVPECL to standard LVDS

For ECL devices including negative ECL (NECL), positive ECL (PECL), and low-voltage, 3.3-V PECL (LVPECL), the load seen by the driver must be $50\ \Omega$ biased to 2 VDC below the device (driver's) V_{CC} . This characteristic load is depicted in Figure 1.

Often the bias voltage level for the characteristic load is not available and is attained through a Thevenin equivalent circuit (resistor divider). Figure 2 shows a Thevenin equivalent circuit intended to provide the characteristic load and the necessary voltage divider to translate the ECL output levels of node V_A and \bar{V}_A to the LVDS level desired at node V_B and \bar{V}_B .

Equations 1–3 are used to calculate the resistor values in Figure 2.

$$50 = R1 \parallel (R2 + R3) \quad (1)$$

$$\frac{V_{CC} - 2 - V_{EE}}{V_{CC} - V_{EE}} = \frac{R2 + R3}{R1 + R2 + R3} \quad (2)$$

$$\text{Gain} = \frac{R3}{R2 + R3} \quad (3)$$

Continued on next page

Figure 1. ECL characteristic load

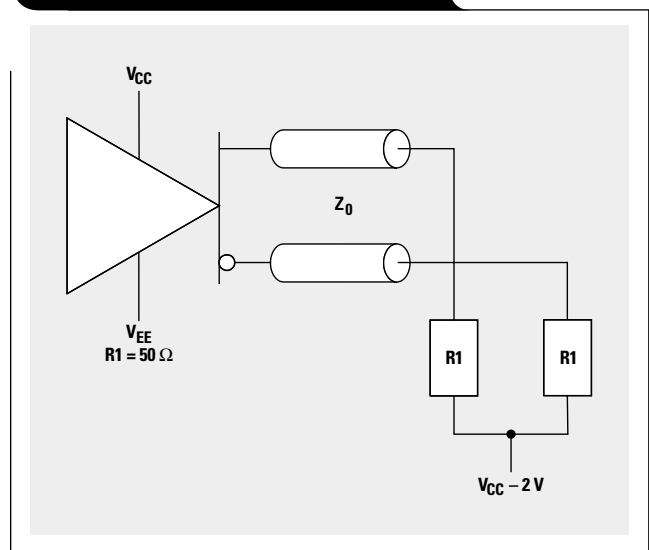
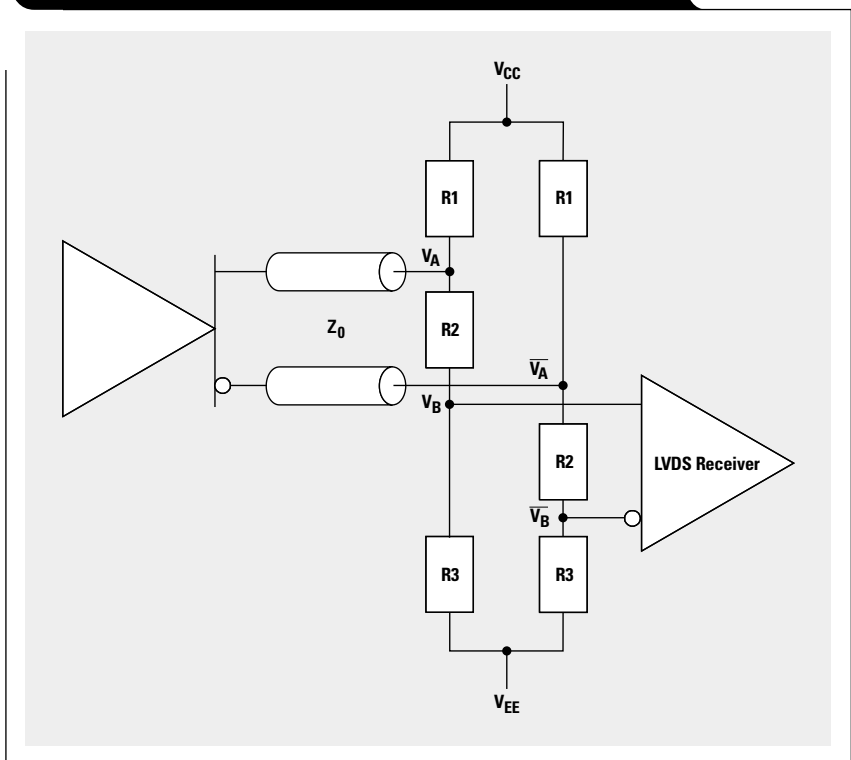


Figure 2. Differential ECL interface to standard LVDS equivalent circuit



Continued from previous page

Equations 1 and 2 establish the necessary Thevenin equivalent termination and voltage as seen by the driver. The Thevenin equivalent termination is equal to the common-mode characteristic impedance of the transmission line, $50\ \Omega$ ($100\ \Omega$ differential impedance). This equality satisfies Equation 4, the impedance matching of the load with the transmission line.

$$Z_0 = R1 \parallel (R2 + R3) \quad (4)$$

When Z_0 is not equal to $50\ \Omega$, then Equations 1 and 4 are incompatible; and trade-offs need to be made with respect to driver flexibility and tolerance to reflections on the transmission line.

Equation 3 establishes the gain of the resistor network. The gain of the resistor network should provide the voltages within the valid input range of the receiver, given the range of the driver output. The minimum and maximum levels for the LVPECL, PECL, and NECL devices are given in Table 1.

Table 1. LVPECL, PECL, and NECL outputs

	LVPECL	PECL	ECL
V_{OHmax} (V)	2.42	4.120	-0.880
V_{OHmin} (V)	2.275	3.975	-1.025
V_{OLmax} (V)	1.68	3.380	-1.620
V_{OLmin} (V)	1.49	3.190	-1.810

The LVDS standard requires a differential voltage magnitude of 100 to 600 mV at the input to the receiver, and the valid input voltage range is 0 to 2.4 V. Table 2 shows the relationships between the gain and the varied input and output levels. The intent of Table 2 is to limit the gain selection to values that provide valid input voltage levels over the entire output range of the driver.

From Table 2 we find that the gain of LVPECL and PECL can be bound to the following values:

$$LVPECL \rightarrow 0.168 \leq \text{Gain} \leq 0.645$$

$$PECL \rightarrow 0.168 \leq \text{Gain} \leq 0.583$$

The gain is chosen to be 0.4 for both the LVPECL and PECL termination schemes. The resistor values are calculated in Table 3.

Table 2 shows that the NECL output levels are not compatible with standard LVDS, given the resistor network of Figure 2. Most LVDS receivers do not support the input range needed for a NECL interface and often require some type of capacitive coupling to adjust the common-mode voltage seen at the receiver inputs. The capacitors are usually placed on each of the differential lines before the termination network and before the receiver. Besides the obvious disadvantage of increased part count, capacitive coupling also introduces inter-symbol interference (ISI) when dealing with non-dc-balanced transmissions. An alternative to this coupling is the use of receivers that accept a wide range of common-mode inputs, eliminating ISI problems and minimizing the number of parts needed to interface various types of ECL to LVDS.

Table 2. Gain limits for standard LVDS interface

	OUTPUT DIFFERENTIAL		OUTPUT VALUE	
	min (V)	max (V)	min (V)	max (V)
LVPECL	$2.275 - 1.68 = 0.595$	$2.42 - 1.49 = 0.93$	1.49	2.42
Gain	$\text{Gain} \times 0.595 > 0.100$	$\text{Gain} \times 0.93 < 0.600$	$\text{Gain} \times 1.49 > 0.0$	$\text{Gain} \times 2.42 < 2.4$
PECL	$3.975 - 3.38 = 0.595$	$4.12 - 3.19 = 0.93$	3.19	4.12
Gain	$\text{Gain} \times 0.595 > 0.100$	$\text{Gain} \times 0.93 < 0.600$	$\text{Gain} \times 3.19 > 0.0$	$\text{Gain} \times 4.12 < 2.4$
ECL	$(-1.025) - (-1.620) = 0.595$	$(-0.880) - (-1.810) = 0.93$	-1.81	-0.880
Gain	$\text{Gain} \times 0.595 > 0.100$	$\text{Gain} \times 0.93 < 0.600$	$\text{Gain} \times -1.81 > 0.0$	$\text{Gain} \times -0.88 < 2.4$

Table 3. Standard resistor values and theoretical output voltages for LVDS translation

DRIVER	V_{CC} (V)	V_{EE} (V)	R1:R2:R3 (Ω)	V_A HIGH (V)	V_A LOW (V)	V_B HIGH (V)	V_B LOW (V)
LVPECL	3.3	GND	127: 49.9: 33.2	2.42	1.49	0.71	0.34
LVPECL	3.3	GND	127: 49.9: 33.2	2.28	1.68	0.64	0.40
LVPECL	3.3	GND	127: 49.9: 33.2	2.42	1.68	0.67	0.37
PECL	5.0	GND	82.5: 75: 50	4.12	3.19	1.65	1.27
PECL	5.0	GND	82.5: 75: 50	3.98	3.38	1.59	1.35
PECL	5.0	GND	82.5: 75: 50	4.12	3.38	1.65	1.35

Table 4. Gain limits for the SN65LVDS33/34 interface

	OUTPUT DIFFERENTIAL		OUTPUT VALUE	
	min (V)	max (V)	min (V)	max (V)
LVPECL	$2.275 - 1.68 = 0.595$	$2.42 - 1.49 = 0.93$	1.49	2.42
Gain	$\text{Gain} \times 0.595 > 0.100$	$\text{Gain} \times 0.93 < 3.00$	$\text{Gain} \times 1.49 > -4.0$	$\text{Gain} \times 2.42 < 5.0$
PECL	$3.975 - 3.38 = 0.595$	$4.12 - 3.19 = 0.93$	3.19	4.12
Gain	$\text{Gain} \times 0.595 > 0.100$	$\text{Gain} \times 0.93 < 3.00$	$\text{Gain} \times 3.19 > -4.0$	$\text{Gain} \times 4.12 < 5.0$
ECL	$(-1.025) - (-1.620) = 0.595$	$(-0.880) - (-1.810) = 0.93$	-1.81	-0.88
Gain	$\text{Gain} \times 0.595 > 0.100$	$\text{Gain} \times 0.93 < 3.00$	$\text{Gain} \times -1.81 > -4.0$	$\text{Gain} \times -0.88 < 5.0$

ECL to the SN65LVDS33/34

The SN65LVDS33/34 dual/quad receiver provides a wide common-mode capability and a maximum differential input voltage magnitude, both of which exceed the EIA-644 standard. The valid input range is increased to -4 to +5 V; and the differential inputs can vary from 100 mV to 3 V. These extended ranges provide wider bounds for the gain in Equation 3.

From Table 4 we see that the LVPECL-, PECL-, and ECL-to-SN65LVDS33/34 gain can be limited to the following values:

$$\text{LVPECL} \rightarrow 0.168 \leq \text{Gain} \leq 2.07$$

$$\text{PECL} \rightarrow 0.168 \leq \text{Gain} \leq 1.21$$

$$\text{ECL} \rightarrow 0.168 \leq \text{Gain} \leq 2.21$$

The SN65LVDS33/34 bounds for LVPECL, PECL, and NECL gain all include unit gain (Gain = 1). Choosing a unity gain value eliminates the need for the R2 resistors shown in Figure 2 and simplifies the circuit to the one shown in Figure 3.

The elimination of the R2 resistors also reduces the complexity of the equations used to calculate the resistor values in Figure 3.

$$50 = (R1 \parallel R3) \quad (5)$$

$$\frac{V_{CC} - 2 - V_{EE}}{V_{CC} - V_{EE}} = \frac{R3}{R1 + R3} \quad (6)$$

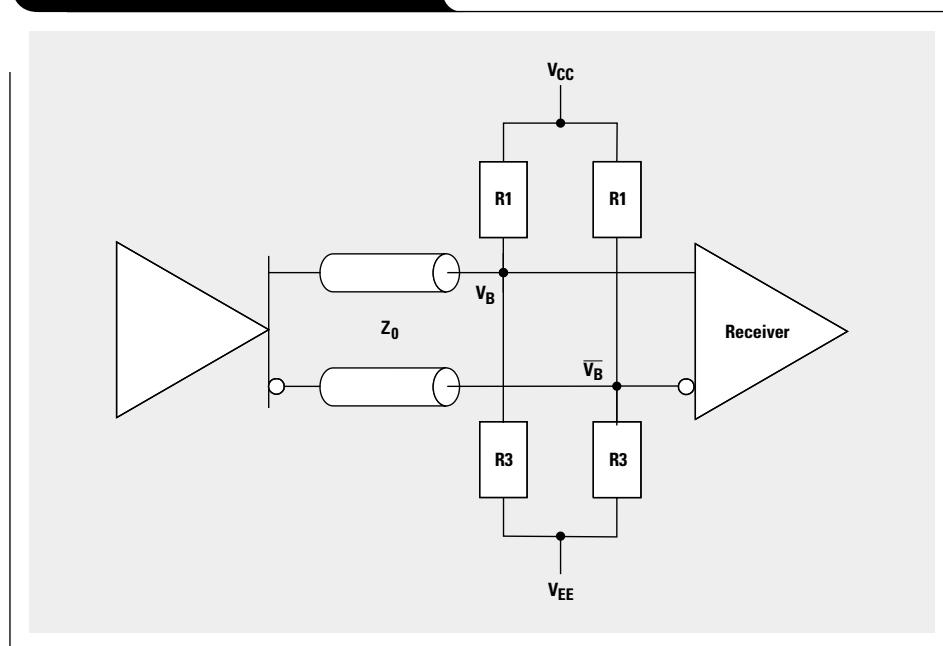
Equations 5 and 6 establish the necessary Thevenin equivalent termination and voltage as seen by the driver, and the third equation to establish gain is no longer needed. The calculated resistor values are shown in Table 5.

Continued on next page

Table 5. Standard resistor values for PECL- and LVPECL-to-SN65LVDS33/34 translation

DRIVER	V _{CC} (V)	V _{EE} (V)	R1:R2 (Ω)
LVPECL	3.3	GND	126.9: 82.5
PECL	5.0	GND	83.3: 125.1
ECL	GND	-5.0	83.3: 125.1

Figure 3. ECL to SN65LVDS33/34



Continued from previous page

The eye patterns of the SN65LVDS33/34 output with the LVPECL and NECL drivers are shown in Figures 4 and 5, respectively.

ECL receipt at a distance

Up to this point, for receiving ECL signals, the assumptions have been that the voltage supplies used by the driver are available for the termination network and that the only

common-mode voltage is the ECL offset voltages. Another consideration is that the receiver is in a remote location and/or only the 3.3-V supply for the LVDS receiver is available.

A remote receiver creates two problems for the resistor networks previously discussed. First, the voltages are simply not available; only the 3.3 V required by the LVDS receiver is available. Second, in the case of LVPECL, where the V_{CC} is the same for both the driver and receiver, potential differences between grounds becomes a factor. With a ground potential difference between the receiver

Figure 4. LVPECL to SN65LVDS33/34 at 500 Mbps; receiver output (Ch1)

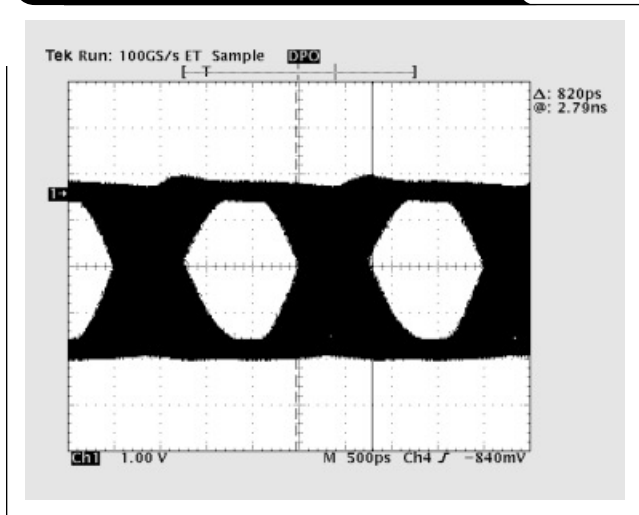


Figure 5. NECL to SN65LVDS33/34 at 500 Mbps; receiver output (Ch1)

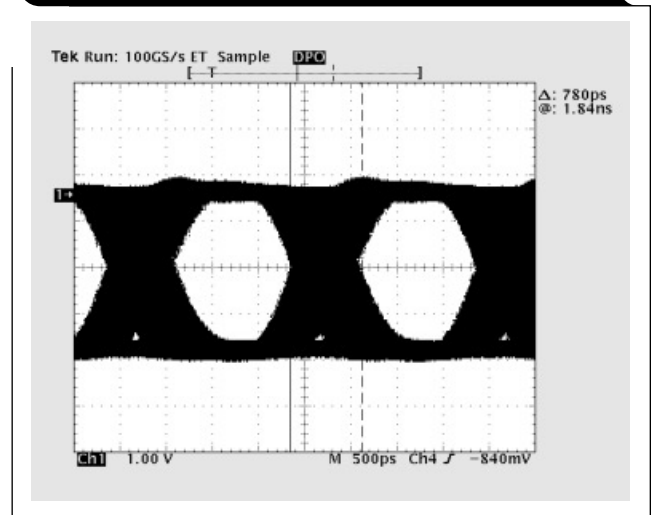


Figure 6. LVPECL and PECL to remote SN65LVDS33/34

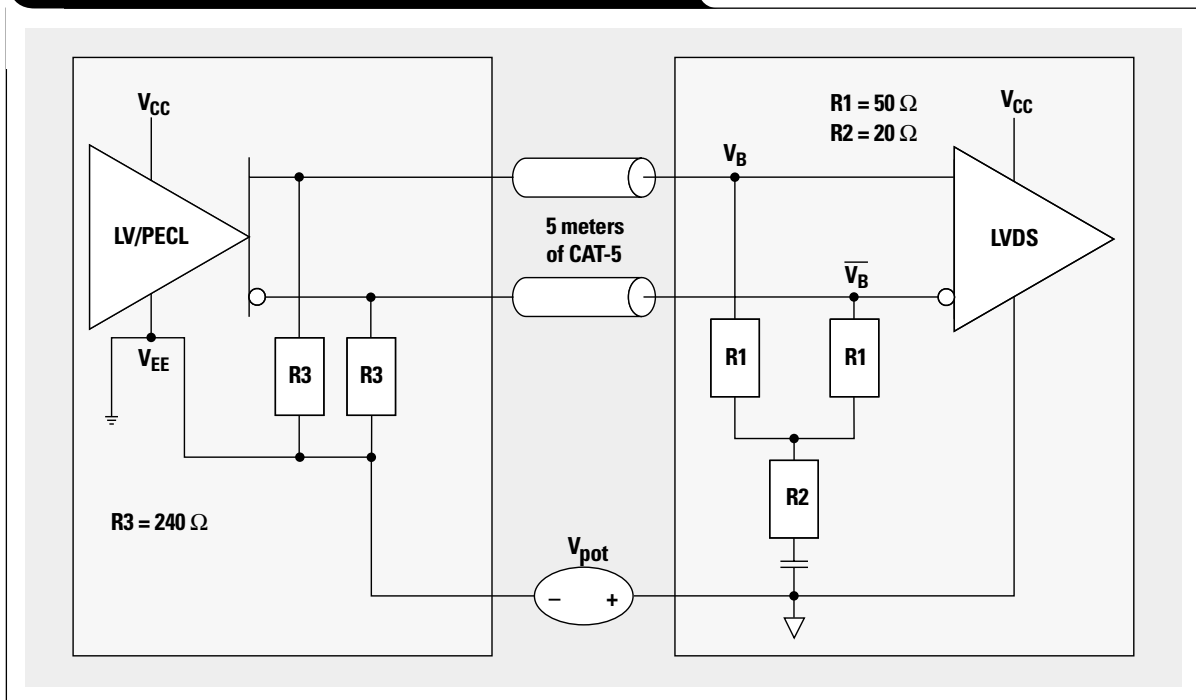
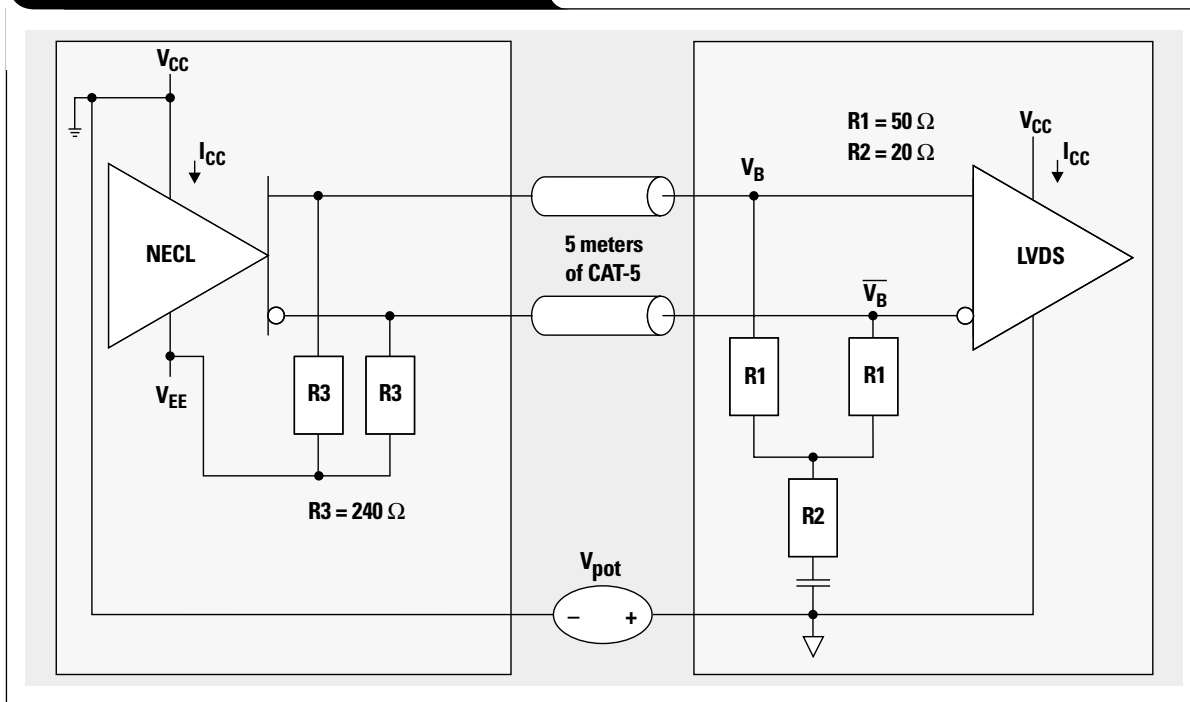


Figure 7. NECL to remote SN65LVDS33/34



and driver, the characteristic load voltage seen by the driver will not be the required $V_{CC} - 2$. The solution to the unavailability of voltages is ac termination. The ground noise problem is alleviated by the wide common-mode capabilities of the SN65LVDS33/34. Figures 6 and 7 depict the use of the SN65LVDS33/34 when the driver and receiver have different ground potentials and are separated by about 5 meters of CAT-5 cable. The eye pattern is shown in Figure 8. Table 6 shows that the SN65LVDS33/34 can tolerate a ground noise magnitude of 2.6 V for LVPECL, 1.1 V for PECL, and 2.3 V for NECL.

As mentioned earlier, the SN65LVDS33/34 receiver exceeds the EIA-644 requirement, and a resistor divider is not needed. With no resistor divider, R1 simply needs to match the characteristic transmission line impedance of 50 Ω . The value of R3 was chosen to provide a resistor path to ground for the ECL driver. When the designer uses a pre-existing source termination, the important parameter is the output voltages. If the voltage levels exceed the inputs of the receiver, then a resistor divider is required at the receiver. The R2 resistor is a small value and is intended to minimize any possible common-mode current reflections.

Continued on next page

Figure 8. NECL to remote SN65LVDS33/34 at 500 Mbps; receiver output (Ch1)

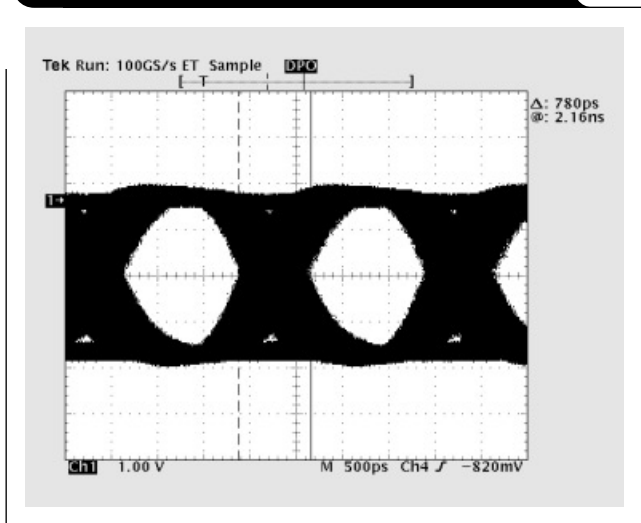


Table 6. LVDS inputs with respect to receiver ground

DEVICE DRIVER	DRIVER TO RECEIVER GROUND POTENTIAL (V_{pot})	V_B HIGH (V)	V_B LOW (V)
LVPECL	-2.64	5.0	4.24
LVPECL	0	2.36	1.60
LVPECL	5.60	-3.24	-4.00
PECL	-1.12	5.0	4.50
PECL	0	3.88	3.38
PECL	7.38	-3.50	-4.00
NECL	-5.87	5.0	4.17
NECL	0.0	-0.87	-1.70
NECL	2.30	-3.17	-4.00

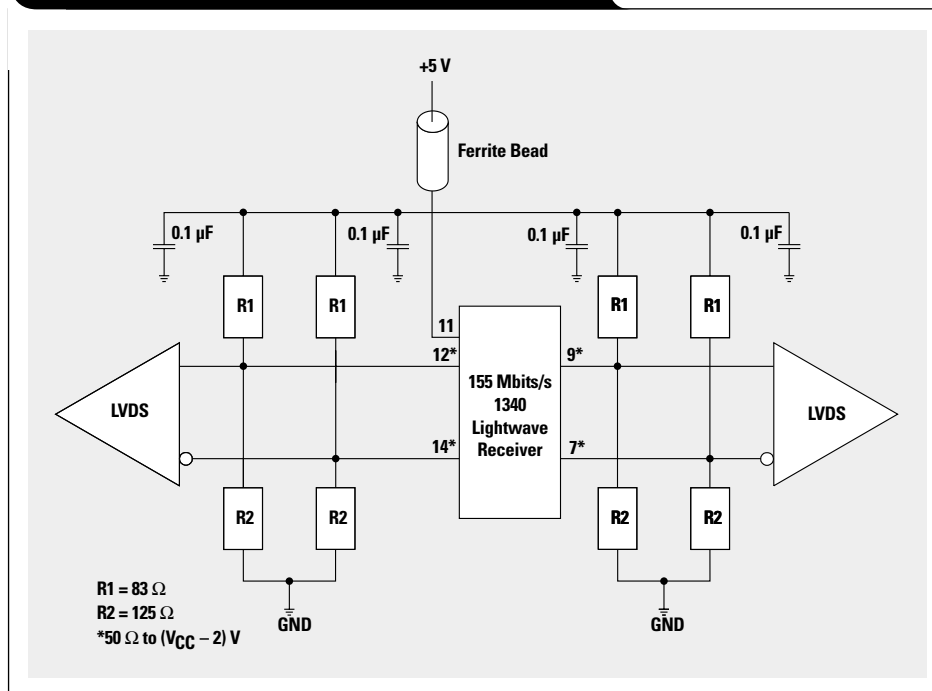
Continued from previous page

Conclusion

The SN65LVDS33/34 has the versatility and capability to be interchanged with ECL receivers without any component addition (beyond the bias resistor networks used in standard ECL transmission). In Figure 9, where the output structure of the optical device is PECL, the SN65LVDS33/34 can be installed just as easily as a PECL receiver. Also, the termination structures in Figure 9 provide equivalent differential impedances of 100 Ω, the recommended value for LVDS terminations. In the future, if the output structure of the optical device is changed from PECL to LVDS, then the circuit could be re-used as shown in Figure 10. (The connections between R1 and V_{CC} and the connections between R2 and GND would be removed, as shown in Figure 10.)

The idea of interfacing ECL to LVDS logic levels has been widely publicized, but the advantages of replacing ECL with LVDS are often not considered: +3.3-V operation, noise immunity, and low power consumption (which results in low EMI). Designers can now take into consideration the benefits of LVDS when upgrading legacy ECL systems, which no longer require the exclusive use of ECL receivers.

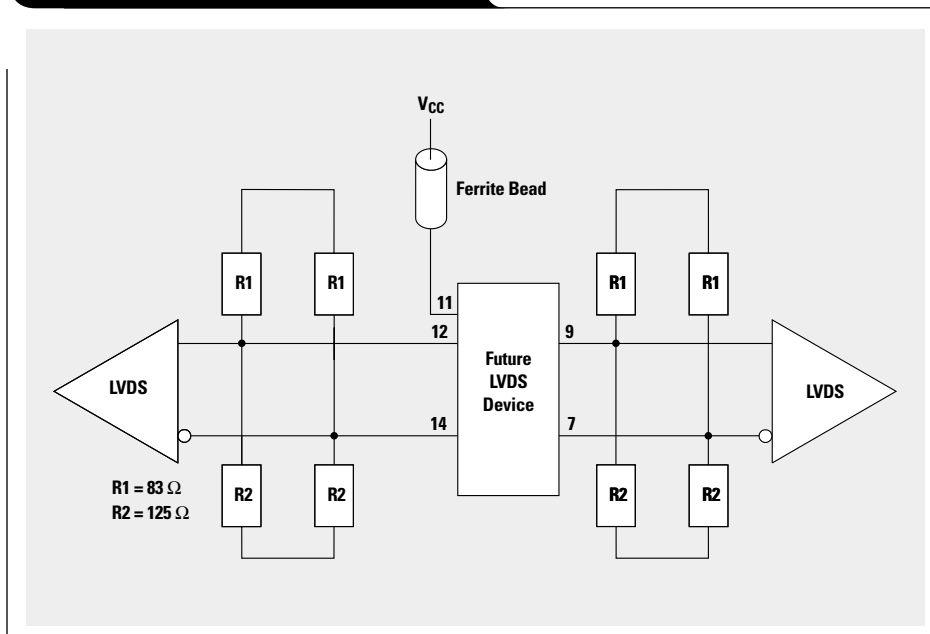
Figure 9. PECL-to-SN64LVDS33/34 application



Related Web sites

- www.ti.com/sc/interface
- Get more product information at:
- www.ti.com/sc/device/sn65lvds33
- www.ti.com/sc/device/sn65lvds34

Figure 10. ECL-to-LVDS application



IMPORTANT NOTICE

Texas Instruments Incorporated and its subsidiaries (TI) reserve the right to make corrections, modifications, enhancements, improvements, and other changes to its products and services at any time and to discontinue any product or service without notice. Customers should obtain the latest relevant information before placing orders and should verify that such information is current and complete. All products are sold subject to TI's terms and conditions of sale supplied at the time of order acknowledgment.

TI warrants performance of its hardware products to the specifications applicable at the time of sale in accordance with TI's standard warranty. Testing and other quality control techniques are used to the extent TI deems necessary to support this warranty. Except where mandated by government requirements, testing of all parameters of each product is not necessarily performed.

TI assumes no liability for applications assistance or customer product design. Customers are responsible for their products and applications using TI components. To minimize the risks associated with customer products and applications, customers should provide adequate design and operating safeguards.

TI does not warrant or represent that any license, either express or implied, is granted under any TI patent right, copyright, mask work right, or other TI intellectual property right relating to any combination, machine, or process in which TI products or services are used. Information published by TI regarding third-party products or services does not constitute a license from TI to use such products or services or a warranty or endorsement thereof. Use of such information may require a license from a third party under the patents or other intellectual property of the third party, or a license from TI under the patents or other intellectual property of TI.

Reproduction of information in TI data books or data sheets is permissible only if reproduction is without alteration and is accompanied by all associated warranties, conditions, limitations, and notices. Reproduction of this information with alteration is an unfair and deceptive business practice. TI is not responsible or liable for such altered documentation.

Resale of TI products or services with statements different from or beyond the parameters stated by TI for that product or service voids all express and any implied warranties for the associated TI product or service and is an unfair and deceptive business practice. TI is not responsible or liable for any such statements.

Following are URLs where you can obtain information on other Texas Instruments products and application solutions:

Products

Amplifiers	amplifier.ti.com
Data Converters	dataconverter.ti.com
DSP	dsp.ti.com
Interface	interface.ti.com
Logic	logic.ti.com
Power Mgmt	power.ti.com
Microcontrollers	microcontroller.ti.com

Applications

Audio	www.ti.com/audio
Automotive	www.ti.com/automotive
Broadband	www.ti.com/broadband
Digital control	www.ti.com/digitalcontrol
Military	www.ti.com/military
Optical Networking	www.ti.com/opticalnetwork
Security	www.ti.com/security
Telephony	www.ti.com/telephony
Video & Imaging	www.ti.com/video
Wireless	www.ti.com/wireless

TI Worldwide Technical Support

Internet

TI Semiconductor Product Information Center Home Page
support.ti.com

TI Semiconductor KnowledgeBase Home Page
support.ti.com/sc/knowledgebase

Product Information Centers

Americas

Phone	+1(972) 644-5580	Fax	+1(972) 927-6377
Internet/Email	support.ti.com/sc/pic/americas.htm		

Europe, Middle East, and Africa

Phone			
Belgium (English)	+32 (0) 27 45 54 32	Netherlands (English)	+31 (0) 546 87 95 45
Finland (English)	+358 (0) 9 25173948	Russia	+7 (0) 95 7850415
France	+33 (0) 1 30 70 11 64	Spain	+34 902 35 40 28
Germany	+49 (0) 8161 80 33 11	Sweden (English)	+46 (0) 8587 555 22
Israel (English)	1800 949 0107	United Kingdom	+44 (0) 1604 66 33 99
Italy	800 79 11 37		
Fax	+(49) (0) 8161 80 2045		
Internet	support.ti.com/sc/pic/euro.htm		

Japan

Fax			
International	+81-3-3344-5317	Domestic	0120-81-0036
Internet/Email			
International	support.ti.com/sc/pic/japan.htm		
Domestic	www.tij.co.jp/pic		

Asia

Phone			
International	+886-2-23786800		
Domestic	Toll-Free Number		
Australia	1-800-999-084	New Zealand	0800-446-934
China	800-820-8682	Philippines	1-800-765-7404
Hong Kong	800-96-5941	Singapore	800-886-1028
Indonesia	001-803-8861-1006	Taiwan	0800-006800
Korea	080-551-2804	Thailand	001-800-886-0010
Malaysia	1-800-80-3973		
Fax	886-2-2378-6808	Email	tiasia@ti.com
Internet	support.ti.com/sc/pic/asia.htm		ti-china@ti.com

C011905

Safe Harbor Statement: This publication may contain forward-looking statements that involve a number of risks and uncertainties. These "forward-looking statements" are intended to qualify for the safe harbor from liability established by the Private Securities Litigation Reform Act of 1995. These forward-looking statements generally can be identified by phrases such as "TI or its management believes," "expects," "anticipates," "foresees," "forecasts," "estimates" or other words or phrases of similar import. Similarly, such statements herein that describe the company's products, business strategy, outlook, objectives, plans, intentions or goals also are forward-looking statements. All such forward-looking statements are subject to certain risks and uncertainties that could cause actual results to differ materially from those in forward-looking statements. Please refer to TI's most recent Form 10-K for more information on the risks and uncertainties that could materially affect future results of operations. We disclaim any intention or obligation to update any forward-looking statements as a result of developments occurring after the date of this publication.

Trademarks: All trademarks are the property of their respective owners.

Mailing Address: Texas Instruments
Post Office Box 655303
Dallas, Texas 75265

© 2005 Texas Instruments Incorporated

SLYT132