

Designing a modern power supply for RF sampling converters

By Thomas Neu

System Engineer, High-Speed Products

Introduction

Recently introduced high-performance converters for direct-radio-frequency (RF) sampling can operate without one entire RF down-conversion stage. This results in a simpler signal chain that uses a printed-circuit board (PCB) with a much smaller footprint. While RF sampling converters can help designers create a truly modern receiver, other system components such as the analog-to-digital (ADC) power supply need upgrading as well.

Using low-dropout regulators (LDOs) for post-regulation to reduce power-supply noise seem to be a quick, low-risk design implementation, but at the expense of 15 to 50% additional power consumption. Instead, system designers could spend time optimizing the design of the RF ADC power supply by using a high-efficiency switch-mode DC/DC regulator to achieve receiver noise performance similar to when using a low-noise LDO.

Understanding the ADC PSRR

The ADC power-supply rejection ratio (PSRR) gives information about the attenuation of noise on the power-supply inputs before the noise finds its way into the output spectrum. Power-supply noise from the DC/DC regulator is typically illustrated as voltage ripple riding on top of a DC voltage. It can be quantified as an AC signal with amplitude (voltage ripple) and frequency (the switching frequency of the regulator, $f_{DC/DC}$).

There are two different paths inside the ADC where noise on the power rail couples into the converter as illustrated in Figure 1:

- **Direct coupling into the analog input path.** The switching regulator spur shows up at $f_{DC/DC}$ in the spectrum.
- **Mixing products when the spurs couple into the clock path.** Two spurs in the spectrum are input-frequency dependent and located at $f_{IN} \pm f_{DC/DC}$. These spurs can be problematic in applications that have unwanted in-band interferers, such as radar systems. Because of the mixing operation, unwanted spurs from the power-supply noise can directly overlap with weak wanted signals and thus significantly impact receiver-sensitivity performance. Furthermore, the mixing spurs scale in amplitude with $20 \log(f_{IN}/f_s)$; they increase in amplitude as the input frequency increases.

Figure 1. Power-rail noise coupling inside the high-speed ADC

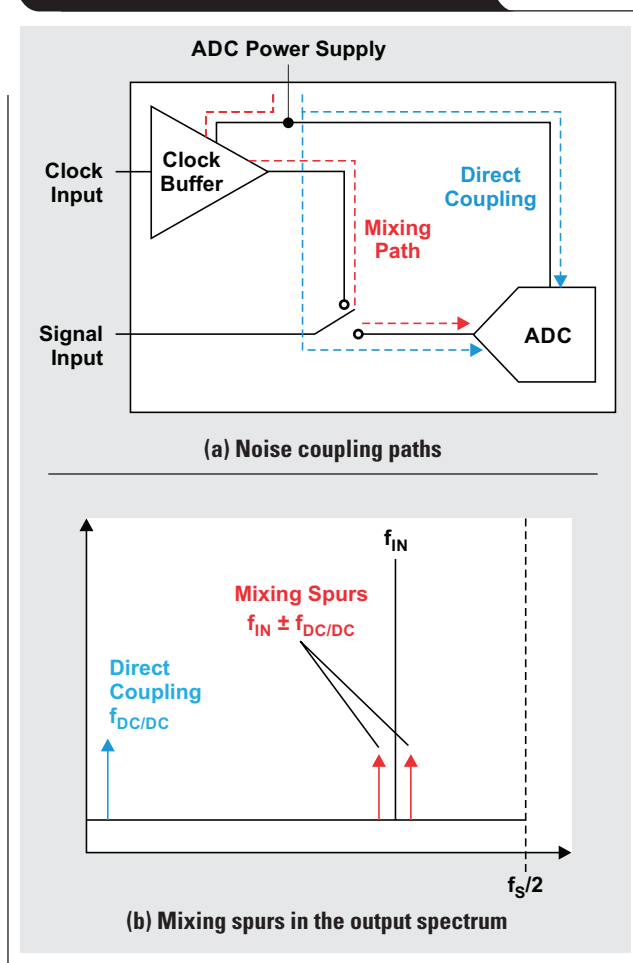
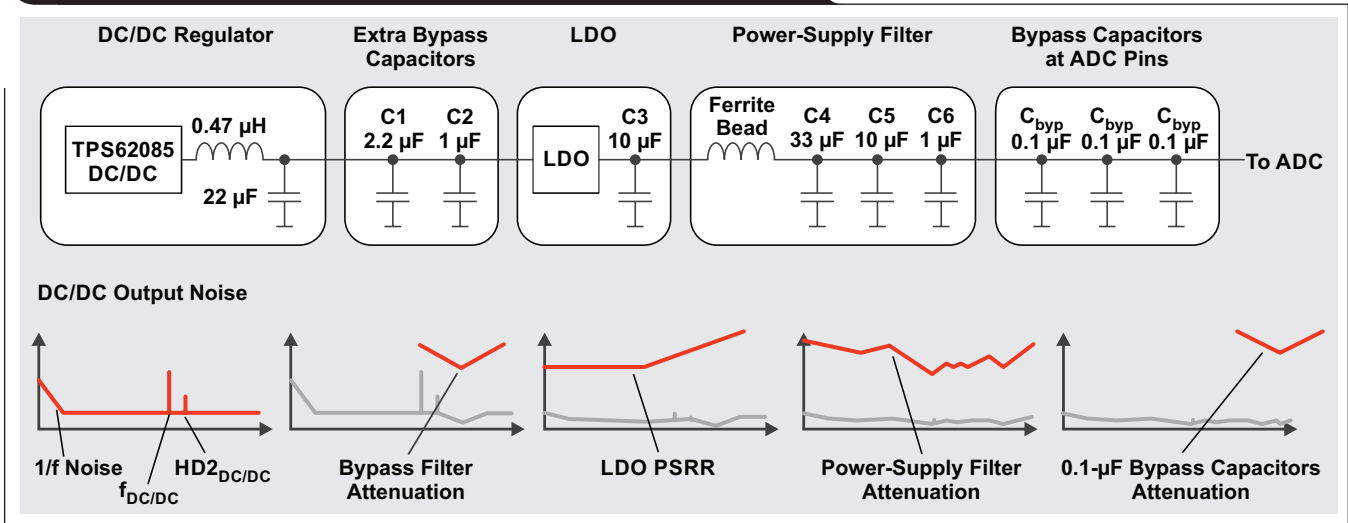


Figure 2. Power-supply chain in a traditional low-noise design



A conventional power-supply design for a high-speed data converter with low noise performance may contain up to five sections and look similar to Figure 2 (also implemented on the ADC32RF45 evaluation module).

The LDO reduces the noise contribution of the DC/DC regulator, which consists of the switching spurs and the flicker noise. Low-noise LDOs provide very good PSRR at low frequencies, but their PSRR decreases for higher frequencies. Certain applications require optimal flicker-noise performance and the LDO may be indispensable.

Bypass or decoupling capacitors provide a local path to ground for noise created by a circuit, decoupling one component or electrical circuit from another. Figure 2 shows bypass capacitors close to the switching regulator as well as the high-speed ADC. The 0.1-μF bypass capacitors located close to the data-converter pins have a resonant frequency beyond 10 MHz. They are not intended for filtering power-supply noise and spurs, but provide localized high-frequency bypassing for switching currents generated from the ADC.

Modern DC/DC regulators use switching frequencies beyond 1 MHz to reduce inductor size. At these frequencies, the LDO PSRR may only be 20 to 30 dB. Designers can attain a similar level of attenuation with an optimized power-supply filter design that eliminates the need for the LDO.

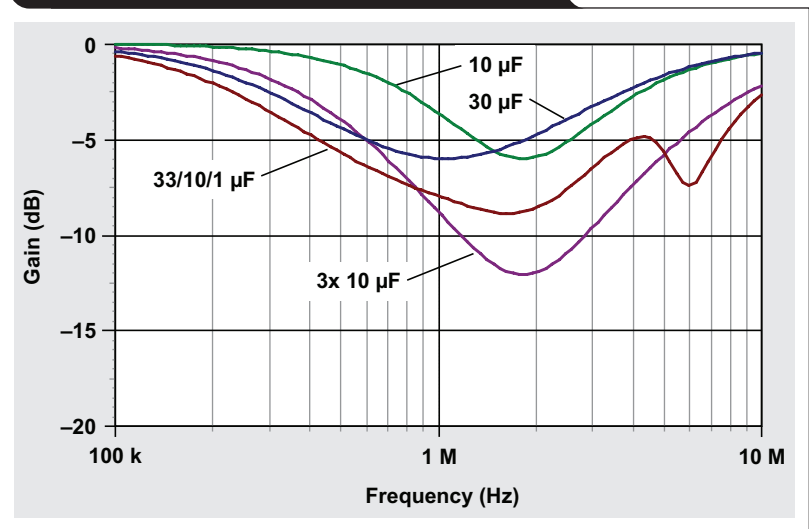
Optimizing the power-supply chain

The shotgun approach is a popular design method for a passive power-supply filter. This is where a ferrite bead is followed by a capacitor array with a wide range of different values (for example, from 33 μF to 0.1 μF) in an attempt to cover any possible spur frequencies.

With a basic understanding of the bypass capacitor and some design effort, filter performance can be optimized to the DC/DC converter switching frequency (~1.8 to 2.6 MHz for the TPS62085, depending on load current) while reducing capacitor count.

The capacitor array (33/10/1-μF) exhibits better broadband rejection compared to a single 10-μF capacitor. When taking package parasitics into consideration, however, simulation results in Figure 3 show that three parallel 10-μF capacitors show a 6-dB deeper notch around 2 MHz, instead of a shallow notch around 1 MHz from a single 30-μF capacitor. Depending on the amount of rejection needed, additional bypass capacitors can be added in parallel.

Figure 3. Frequency response of different bypass-capacitor configurations



When selecting actual components for the filter design, there are three important considerations:

- **Physical size:** Physically smaller capacitors save space (1206 vs. 0805); they also have less parasitics such as series resistance and inductance, which reduce the effectiveness of the notch filter.
- **The ferrite bead:** To be effective against switching noise, the ferrite bead needs to have a high impedance at very low frequencies (~1 MHz). Most ferrite beads have high impedance around 100 MHz but very little impedance at low frequencies. Thus, many ferrite beads are little help in attenuating switching spurs. A much more effective component is an electromagnetic interference (EMI) filter such as the NFM31PC276B0J3. It is inherently designed to have a notch filter around 2 MHz for use with modern switching regulators and can provide approximately 15 to 25 dB of rejection.
- **Capacitor material:** The material (X7R, X5R, Y5V) impacts capacitor performance in regards to aging (capacitance vs. time), DC voltage rating, temperature and tolerance.

Filter performance and spur improvement

When removing the low-noise LDO from the power-supply chain, the power-supply filter needs to provide about 20 to 30 dB of rejection at the switching frequency in order to make up for the missing LDO PSRR. As Figure 4 shows, the power-supply filter was tuned for that goal so that the overall spur performance would be comparable to using a low-noise LDO.

The switching regulator typically requires an inductor-capacitor (LC) filter at its output that is tuned with the internal compensation; however, some optimization is possible with this filter as well. In the TPS62085 data sheet, TI recommends the 0.47- μ H inductor for an optimal transient response. During normal operation, the high-speed data converter presents a constant load and the transient response is not a factor. A larger inductor reduces output ripple (a 1- μ H versus a 0.47- μ H inductor cuts the ripple in half), which reduces the spurs at the

expense of a (possibly) slightly bigger PCB footprint. Changing the output inductor is an option for further spur improvement.

The amplitude of the mixing spurs can be estimated with the following equations and component parameters:

- $A_{\text{Mixing_Spurs}} = A_{\text{DC/DC}} + \text{PSRR}_{\text{LDO}} + \text{PSRR}_{\text{Filter}} + \text{PSRR}_{\text{ADC}} + \text{Frequency_Adjust}$
- ADC32RF45 with $f_S = 3$ GSPS and $f_{\text{IN}} = 1$ GHz, clock amplitude = 1.5 V_{PP}.
- TPS62085 DC/DC regulator with 10-mV_{PP} ripple.
- The spur amplitude of the DC/DC regulator calculates to $A_{\text{DC/DC}} = 20 \log(A_{\text{Spur}}/A_{\text{CLK}}) \approx -43$ dBc.
- TPS74201 LDO with $\text{PSRR} \approx 25$ dB at 2 MHz.

The estimated and measured results for various supply configurations are shown in Table 1.

Table 1. Estimated vs. measured spur amplitude for different configurations of the power-supply chain

Configuration	With LDO	No LDO	Optimized filter design without LDO	Comment
Spur amplitude $A_{\text{DC/DC}}$	-43 dBc	-43 dBc	-43 dBc	
PSRR LDO at 2 MHz	~25 dB	—	—	
Power-supply filter at 2 MHz	~15 dB	~15 dB	~35 dB	EMI filter + 3 x 10 μ F
PSRR ADC	~25 dB	~25 dB	~25 dB	
Input signal = 1 GHz, -1 dBFS	-9 dB	-9 dB	-9 dB	20 log (1G/3G)
Estimated spur amplitude	-117 dBc	-92 dBc	-112 dBc	
Measured spur amplitude	Noise (<-105 dBc)	~97 dBc	Noise (<-105 dBc)	

This guideline is to get an estimate for the power-supply spur. There may be additional coupling paths—both inside the ADC as well as on the PCB itself—that can degrade rejection performance.

Figure 4. Optimized power-supply network with low-noise LDO removed

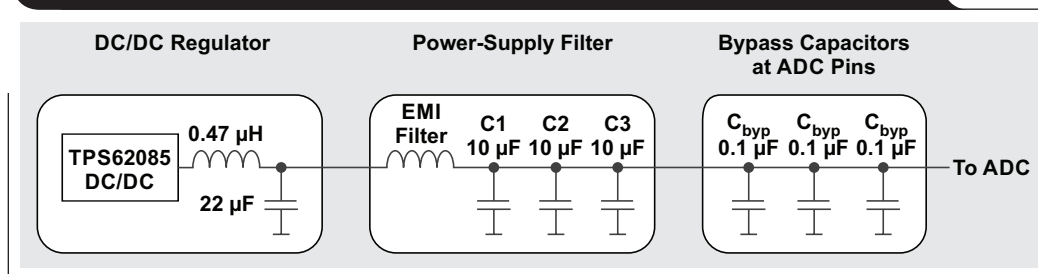
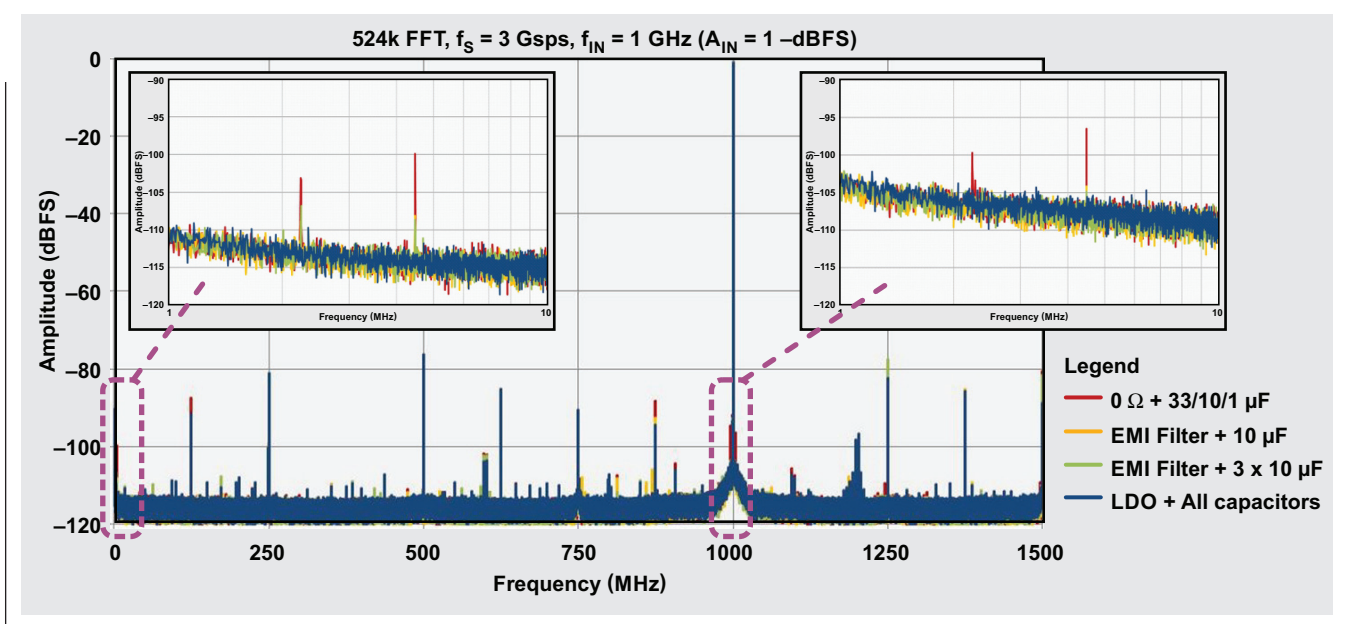


Figure 5. FFT comparison showing power-supply spurs close to DC and around the input signal


Even with a 524,000-point fast Fourier transform (FFT) and 20 \times averaging, the power-supply spurs are difficult to detect when employing the LDO or a tuned filter network, as shown in Figure 5. The switching regulator operates at $f_{DC/DC} \approx 2.3$ MHz; thus the spurs are located at $f_{spur} \approx 2.3$ MHz and $f_{IN} \pm f_{DC/DC} = 1$ GHz ± 2.3 MHz. The spurs are in noise well below -100 dBFS, which attests to the effectiveness of the tuned filter network.

Conclusion

To address system power consumption, designers of modern high-bandwidth receivers have adopted a new architecture for direct-RF sampling that simplifies the receiver signal chain and results in reduced system power. Also, it is possible to save a lot of additional power consumption by optimizing the power supply for the data converter itself. Rather than using a low-noise LDO to improve power-supply noise, an optimized passive power filter can achieve similar noise rejection without the 15 to 35% additional power expense.

Related Web sites

Product tools:
 ADC32R45 evaluation module

Product information;
 TPS62085
 ADC32RF45
 TPS74201

TI Worldwide Technical Support

TI Support

Thank you for your business. Find the answer to your support need or get in touch with our support center at

www.ti.com/support

China: <http://www.ti.com.cn/guidedsupport/cn/docs/supporthome.tsp>

Japan: <http://www.tij.co.jp/guidedsupport/jp/docs/supporthome.tsp>

Technical support forums

Search through millions of technical questions and answers at TI's E2E™ Community (engineer-to-engineer) at

e2e.ti.com

China: <http://www.deyisupport.com/>

Japan: <http://e2e.ti.com/group/jp/>

TI Training

From technology fundamentals to advanced implementation, we offer on-demand and live training to help bring your next-generation designs to life. Get started now at

training.ti.com

China: <http://www.ti.com.cn/general/cn/docs/gencontent.tsp?contentId=71968>

Japan: <https://training.ti.com/jp>

Important Notice: The products and services of Texas Instruments Incorporated and its subsidiaries described herein are sold subject to TI's standard terms and conditions of sale. Customers are advised to obtain the most current and complete information about TI products and services before placing orders. TI assumes no liability for applications assistance, customer's applications or product designs, software performance, or infringement of patents. The publication of information regarding any other company's products or services does not constitute TI's approval, warranty or endorsement thereof.

A011617

E2E is a trademark of Texas Instruments. All other trademarks are the property of their respective owners.

© 2017 Texas Instruments Incorporated.
All rights reserved.



SLYT720

IMPORTANT NOTICE FOR TI DESIGN INFORMATION AND RESOURCES

Texas Instruments Incorporated ("TI") technical, application or other design advice, services or information, including, but not limited to, reference designs and materials relating to evaluation modules, (collectively, "TI Resources") are intended to assist designers who are developing applications that incorporate TI products; by downloading, accessing or using any particular TI Resource in any way, you (individually or, if you are acting on behalf of a company, your company) agree to use it solely for this purpose and subject to the terms of this Notice.

TI's provision of TI Resources does not expand or otherwise alter TI's applicable published warranties or warranty disclaimers for TI products, and no additional obligations or liabilities arise from TI providing such TI Resources. TI reserves the right to make corrections, enhancements, improvements and other changes to its TI Resources.

You understand and agree that you remain responsible for using your independent analysis, evaluation and judgment in designing your applications and that you have full and exclusive responsibility to assure the safety of your applications and compliance of your applications (and of all TI products used in or for your applications) with all applicable regulations, laws and other applicable requirements. You represent that, with respect to your applications, you have all the necessary expertise to create and implement safeguards that (1) anticipate dangerous consequences of failures, (2) monitor failures and their consequences, and (3) lessen the likelihood of failures that might cause harm and take appropriate actions. You agree that prior to using or distributing any applications that include TI products, you will thoroughly test such applications and the functionality of such TI products as used in such applications. TI has not conducted any testing other than that specifically described in the published documentation for a particular TI Resource.

You are authorized to use, copy and modify any individual TI Resource only in connection with the development of applications that include the TI product(s) identified in such TI Resource. NO OTHER LICENSE, EXPRESS OR IMPLIED, BY ESTOPPEL OR OTHERWISE TO ANY OTHER TI INTELLECTUAL PROPERTY RIGHT, AND NO LICENSE TO ANY TECHNOLOGY OR INTELLECTUAL PROPERTY RIGHT OF TI OR ANY THIRD PARTY IS GRANTED HEREIN, including but not limited to any patent right, copyright, mask work right, or other intellectual property right relating to any combination, machine, or process in which TI products or services are used. Information regarding or referencing third-party products or services does not constitute a license to use such products or services, or a warranty or endorsement thereof. Use of TI Resources may require a license from a third party under the patents or other intellectual property of the third party, or a license from TI under the patents or other intellectual property of TI.

TI RESOURCES ARE PROVIDED "AS IS" AND WITH ALL FAULTS. TI DISCLAIMS ALL OTHER WARRANTIES OR REPRESENTATIONS, EXPRESS OR IMPLIED, REGARDING TI RESOURCES OR USE THEREOF, INCLUDING BUT NOT LIMITED TO ACCURACY OR COMPLETENESS, TITLE, ANY EPIDEMIC FAILURE WARRANTY AND ANY IMPLIED WARRANTIES OF MERCHANTABILITY, FITNESS FOR A PARTICULAR PURPOSE, AND NON-INFRINGEMENT OF ANY THIRD PARTY INTELLECTUAL PROPERTY RIGHTS.

TI SHALL NOT BE LIABLE FOR AND SHALL NOT DEFEND OR INDEMNIFY YOU AGAINST ANY CLAIM, INCLUDING BUT NOT LIMITED TO ANY INFRINGEMENT CLAIM THAT RELATES TO OR IS BASED ON ANY COMBINATION OF PRODUCTS EVEN IF DESCRIBED IN TI RESOURCES OR OTHERWISE. IN NO EVENT SHALL TI BE LIABLE FOR ANY ACTUAL, DIRECT, SPECIAL, COLLATERAL, INDIRECT, PUNITIVE, INCIDENTAL, CONSEQUENTIAL OR EXEMPLARY DAMAGES IN CONNECTION WITH OR ARISING OUT OF TI RESOURCES OR USE THEREOF, AND REGARDLESS OF WHETHER TI HAS BEEN ADVISED OF THE POSSIBILITY OF SUCH DAMAGES.

You agree to fully indemnify TI and its representatives against any damages, costs, losses, and/or liabilities arising out of your non-compliance with the terms and provisions of this Notice.

This Notice applies to TI Resources. Additional terms apply to the use and purchase of certain types of materials, TI products and services. These include; without limitation, TI's standard terms for semiconductor products (<http://www.ti.com/sc/docs/stdterms.htm>), [evaluation modules](#), and [samples](http://www.ti.com/sc/docs/sampterm.htm) (<http://www.ti.com/sc/docs/sampterm.htm>).

Mailing Address: Texas Instruments, Post Office Box 655303, Dallas, Texas 75265
Copyright © 2017, Texas Instruments Incorporated