

# DS1776

*Application Note 725 PI Bus*



Literature Number: SNOA194



## HISTORY

Throughout the 70's and early 80's the typical backplane was driven by standard TTL logic parts with tristateable outputs such as 54/74XX240 and 245. For design purposes these busses were modeled as lumped capacitances and transmission line effects were ignored because the bus data rates were generally not fast enough to require designers to be concerned with transmission line effects of the backplane. With the lower bus speeds there was sufficient bus settling time for reflections to dampen, and the signals to stabilize close enough to steady state to avoid problems. If a bus was heavily loaded and attempts were made to run the bus faster than 10 MHz, errors in data were frequently seen due to line reflections causing line voltage levels to transition through threshold more than once for a single transition of the buffer input. And as backplane densities increased, loading from the transceivers became so great that this increased the problem of driving the bus quickly and error free.

With today's higher bus data rates it has become imperative that the transmission line characteristics of the backplane be accounted for in backplane analysis. By doing so it becomes apparent that there may be better ways to drive backplanes than with traditional TTL family logic.

To solve some of the inherent problems with running densely loaded busses, the PI Bus structure was developed. PI Bus (parallel interface bus) was developed by IBM, Unisys and TRW for the VHSIC 2.2 Interoperability program. PI Bus has since been adopted by the Joint Integrated Avionics Working Group (JIAWG) section of SAE.

## TRANSMISSION LINE PHYSICS

Several problems must be overcome to run a faster, more heavily loaded bus. When the bus propagation delay plus settling time decreases below about 100 ns the backplane must be considered as a transmission line. If the backplane is densely populated the problem of running it at high data rates is exacerbated.

$Z_0$  is the characteristic impedance of the backplane, and is calculated from the physical characteristics of the backplane. From Figure 1, a simple model of a transmission line, the following equation may be written:

$$Z_0 = [(R + j\omega L) / (G + j\omega C)]^{1/2}$$

For high frequency, the R and G terms become insignificant due to the increases in the  $\omega$  terms,

$$\omega = 2\pi f \text{ where } f \text{ is frequency}$$

and the equation simplifies to

$$Z_0 = (L/C)^{1/2}$$

where L is in units of inductance per unit length and C is in units of capacitance per unit length

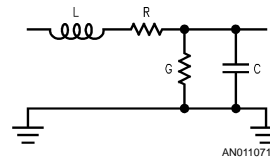


FIGURE 1.

## EFFECTS OF CAPACITIVE LOADING ON BUS

Values for  $Z_0$  can be calculated from the physics of the backplane construction. For a typical PI Bus epoxy-glass backplane the value for  $Z_0$  is about 65Ω. The basic equation describing the impedance of a loaded bus is

$$Z_1 = Z_0 / (1 + C_1/C)^{1/2}$$

where  $C_1$  is the additional load added to the bus by modules, connectors and connector mounting vias. So as the capacitive load of the modules increases, the impedance of the bus decreases. As the impedance of the bus decreases, the current required to drive the bus between state changes in a given time period increases ( $I = V/Z$ ). The equation for the propagation delay of a signal on an unloaded transmission line is

$$T_{P0} = \ell(L/C)^{1/2}$$

where  $\ell$  = length of the bus.

For a loaded bus,

$$T_{P1} = T_{P0}(1 + C_1/C)^{1/2}$$

describes the propagation delay on a transmission line. From the equation for the loaded bus, it is obvious that as the capacitive loading of the bus increases, the propagation delay for a given length of bus increases. As this time increases bus settling time increases, and hence affects how fast the bus may be operated. So a bus transceiver which had low capacitive loading would improve bus operation in several ways. A low capacitive transceiver would raise the value of  $Z_1$ , and hence the drive current requirements for a given performance would be reduced, the propagation delay for a given length of backplane would be reduced, and any bus settling time required would also be reduced.

## OUTPUT $V_{OH}$ SWING

The standard TTL swing for an output is from 0.2V to  $V_{CC}$  - two diodes (for CMOS 0V to  $V_{SS}$ ). For a bipolar device, this swing could be as much as from 0.2V to 4.1V. The smaller

this swing between high and low, the less charge which must be moved in any given time to effect a change of state. So from the standpoint of power usage, smaller in this case would be better.

PI Bus developed as a bus to address both these conclusions in a manner similar to Future Bus. The bus side outputs are open Schottkys, and the bus is terminated on both ends by a resistor to a voltage source with limits of 1.9V to 2.1V (Figure 2). The resistors used to terminate the bus may be from 30Ω to 40Ω. By terminating the bus in this way,  $Z_o$

matches 40Ω termination with no loads on the bus, but including loading from raw backplane plus vias and mating connectors, and a 30Ω termination matches a fully loaded PI bus backplane) the bus is somewhat tuned to the  $Z_1$  of the bus so that reflections can be minimized. By terminating the bus to a maximum of 2.1V, the maximum voltage swing on the bus will be from the  $V_{OL}$  minimum spec of 0.4V to the maximum 2.1V. Thus the voltage swing for the PI Bus transceiver would be 1.7V versus the 3.9V for a standard bipolar transceiver.

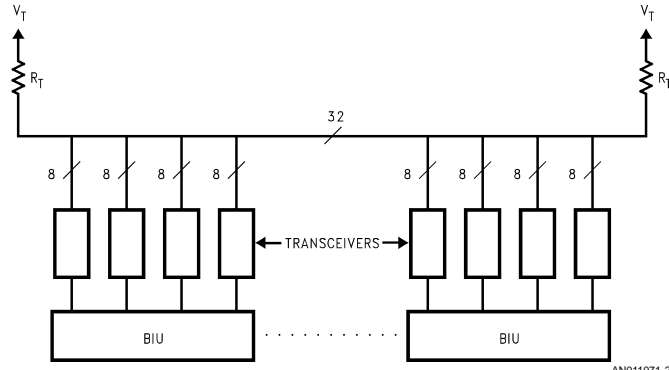


FIGURE 2.

#### OUTPUT CAPACITANCE OF TRANSCEIVER

In order to decrease the capacitive loading of each transceiver, Schottky diode outputs are used, and are reverse biased when not active low. The PI Bus driver output is shown in Figure 3. When the output is in a high state both the output Schottky diode and the collector-substrate diode of Q1 are reverse biased. By reverse biasing both the Schottky diode junction and the collector-substrate junction the parasitic capacitive loading of the bus driving output can be greatly decreased. The following equation gives an approximation of the impact reverse biasing has upon junction capacitance:

$$C_j = C_{j0} / (1 + V_d / V_0)^{1/2}$$

where  $C_{j0}$  equals the capacitance of the diode junction under unbiased conditions, and  $V_d$  equals the reverse biased voltage of the diode junction.  $V_0$  is the built-in zero bias potential across a diode junction, and would be on the order of 0.7V. So, by reverse biasing the cathode of both D1 and Q1, their parasitic capacitive loading on the bus is decreased. If the bus were at 2.0V, and  $V_{CC}$  was at 5V,  $C_{j0}$  would be decreased by a factor of 2.1. Then of course, C1 and C2 are in series, so their total capacitance would be decreased according to the following equation:

$$C_T = C_P + [(C_1) (C_2 + C_3)] \div (C_1 + C_2 + C_3)$$

The capacitance of C3 (from D3) is basically negligible in comparison to C1 because it is approximately 0.5% the area Q1. The package capacitance ( $C_P$ ) may vary from 0.3 pF to 1.5 pF, depending upon the package and the pin location on the package. The other capacitive loading on each bus pin would be the base-collector and base-emitter capacitance of Q1 (Figure 8), which connects to the anode of D1. For a typical TTL part (Figure 5 and Figure 6), the capacitive loading of the output would be primarily C5 because C6 is in series with C7 and the parallel combination of C8 and C9. For Q4 and

Q5 being about the same size devices, the capacitive loading of the TTL circuit would be several times larger than that of the Schottky terminated circuit.

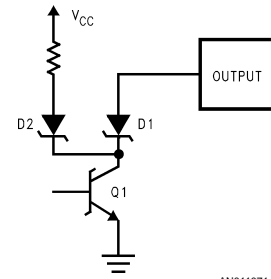


FIGURE 3. Simplified Circuit

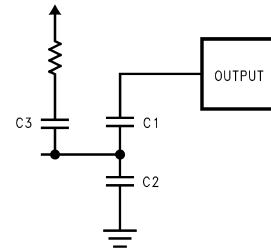


FIGURE 4. Parasitic Capacitance

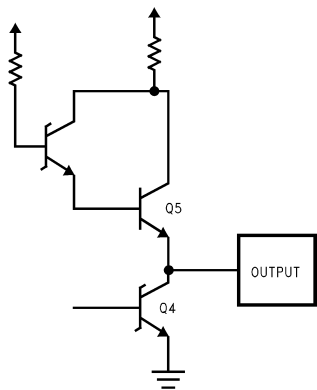


FIGURE 5.

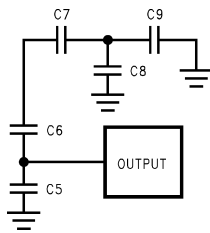


FIGURE 6.

#### PRECISION THRESHOLD

In order to handle the smaller output swing on the bus, it is necessary to use a more precise threshold circuit on the bus receiver input. Figure 7 is a typical TTL input buffer. The threshold set by this type of circuit varies considerably with temperature, and typically ranges from about 1V at high temperatures to about 1.8V at low temperatures. Such movement could not be tolerated with a bus swing which could be as small as from 1.15V to 1.9V. The circuit shown in Figure 8 is used on PI Bus transceivers to set a more precise threshold. A voltage reference with a very small  $V_{CC}$  and temperature dependence is placed on the chip to establish a precision threshold for the PI Bus to BIU input buffer. By using a differential pair with one of the pair controlled by the reference voltage, the threshold can be maintained within a 150 mV window centered at 1.52V.

#### OUTPUT RAMPS AND NOISE IMMUNITY

Ramped outputs have been touted as the solution to problems of bus reflections and crosstalk. The amount of ramp time put into rise and fall times directly related to the propagation delays of a transceiver, so longer ramps require longer delay times. An important question to ask is how much of a ramp buys what degree of decreased bus settling time. Many TTL parts have peak ramps of about 2V/ns. This

rate of ramp certainly seems to increase bus settling times. The PI Bus transceiver will have a typical ramp rate of about 0.5V/ns.

Having some amount of noise rejection on the bus receiver input allows the bus buffer input to ignore small excursions above or below threshold without affecting the data being transmitted to the BIU. However the greater the amount of noise immunity, the greater the propagation delay on the path from the bus to the BIU. The PI Bus transceiver offers a compromise between noise immunity and prop delays with typically 4 ns of pulsewidth protection measured at 1.5V for a 1 to 2 volt input.

#### SUBMICRON BIU PROTECTION

To accommodate future submicron BIU processing, the PI Bus transceivers offer a feature for limiting the output  $V_{OH}$  excursion to the BIU. The  $V_X$  pin on the chip can be used as a clamp voltage to limit the  $V_{OH}$  of the BIU side output. The basic propagation delays on the transceiver with the exception of the BIU side low to high ramp rate are unaffected because the remainder of the transceiver is still powered by the normal  $V_{CC}$  pin. Only the BIU  $V_{OH}$  is controlled by the  $V_X$  pin. The Figure 9 schematic shows how the  $V_X$  voltage sets the output  $V_{OH}$ .

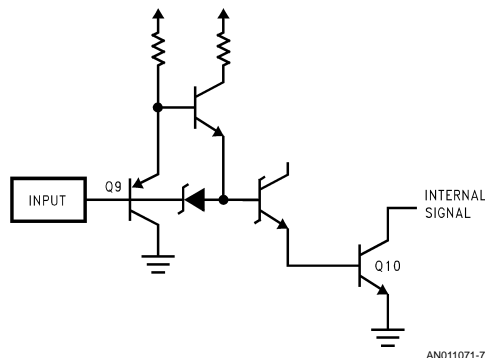


FIGURE 7. Typical TTL Input

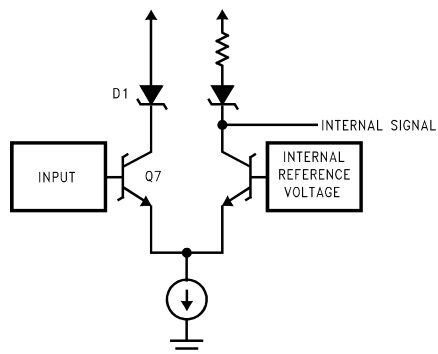


FIGURE 8. PI Bus Receiver Input

AN011071-8

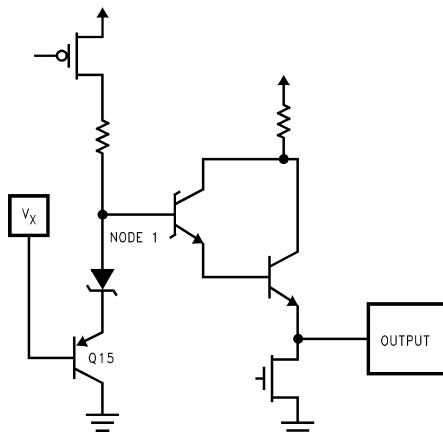


FIGURE 9.

AN011071-9

#### LOW POWER

Many applications of PI Bus are designed with a redundant bus, and as such always have a full set of transceivers in the inactive mode. And in addition, on the active bus there may

be 15 inactive (for a 16 drop bus) transceivers with one active transceiver. So in order to lower the power requirements for the PI Bus backplane application the National PI Bus transceiver, the DS1776, was designed using BiCMOS in order to take advantage of the power savings possible with the use of CMOS in appropriate portions of the circuit.

A pure bipolar transceiver would have an  $I_{CC}$  inactive specification of about 100 mA. By using a BiCMOS process it was possible to design a PI Bus transceiver with an  $I_{CC}$  inactive of 35 mA.

#### BIPOLAR vs CMOS vs BiCMOS TECHNOLOGY

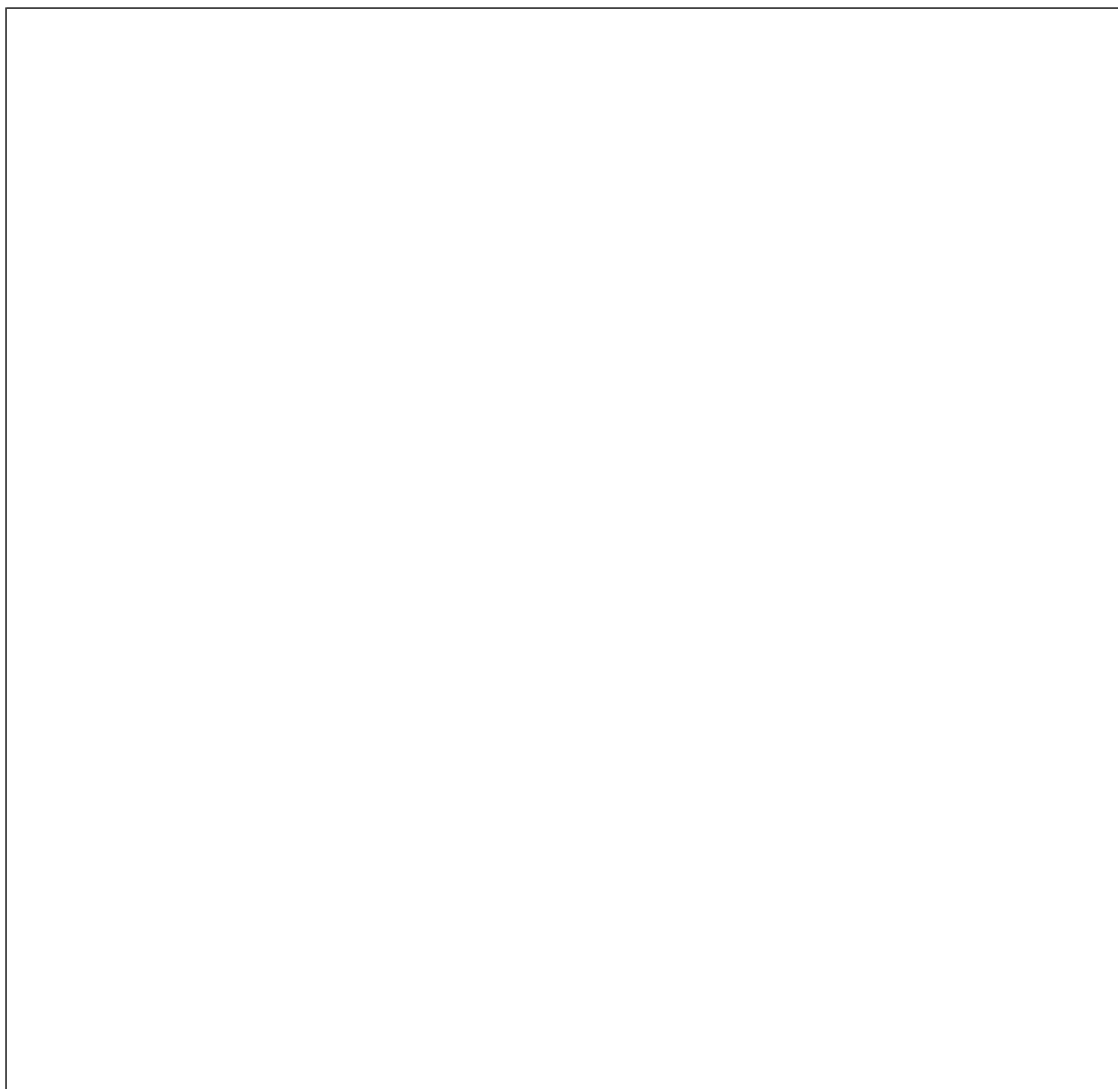
A full bipolar transceiver could be built to provide excellent performance in most areas with the exception of power consumption in both the active and inactive modes. A pure CMOS part could be designed with a much lower  $I_{CC}$ , but it would have the following drawbacks. It would be slower than a bipolar part, no Schottky diode would be available to construct a low capacitance output with limited swing, and stable CMOS voltage references which have a reasonable silicon area are non-existent, so setting a precise input voltage threshold would be difficult.

By making judicious use of bipolar and CMOS circuits where each is appropriate, it was possible to design a PI Bus transceiver with an  $I_{CC}$  inactive of typically 35 mA and yet maintain the full features which make PI Bus a clean and quiet bus to run.

#### REFERENCES

- Chapman, Robert A. *Transmission Lines*. New York: McGraw-Hill, 1968.
- Muller, Richard S., Theodore I. Kamins. *Device Electronics for Integrated Circuits*. New York: John Wiley and Sons, 1977.
- Neff, Herbert P. *Basic Electromagnetic Fields*. New York: Harper and Row, 1981.
- JIAWG PI-Bus Specification — J89-N1A Draft
- Balakrishnan, R.V. "Eliminating Crosstalk Over Long-Distance Busing." *Computer Design*, March 1982, pp. 155-162.
- Balakrishnan, R.V. "DS3662 — The Bus Optimizer." National Semiconductor — Application Note 337 *Interface Databook* 1988.
- "P1194.0/d2 — A Guide to Backplane Electrical Performance Measurements." June 1989 — Prepared by BTL Working Group from I.E.E.E.





**LIFE SUPPORT POLICY**

NATIONAL'S PRODUCTS ARE NOT AUTHORIZED FOR USE AS CRITICAL COMPONENTS IN LIFE SUPPORT DEVICES OR SYSTEMS WITHOUT THE EXPRESS WRITTEN APPROVAL OF THE PRESIDENT OF NATIONAL SEMICONDUCTOR CORPORATION. As used herein:

1. Life support devices or systems are devices or systems which, (a) are intended for surgical implant into the body, or (b) support or sustain life, and whose failure to perform when properly used in accordance with instructions for use provided in the labeling, can be reasonably expected to result in a significant injury to the user.
2. A critical component in any component of a life support device or system whose failure to perform can be reasonably expected to cause the failure of the life support device or system, or to affect its safety or effectiveness.

 <p><b>National Semiconductor Corporation</b> Americas Tel: 1-800-272-9959 Fax: 1-800-737-7018 Email: support@nsc.com</p>	<p><b>National Semiconductor Europe</b> Fax: +49 (0) 1 80-530 85 86 Email: europe.support@nsc.com Deutsch Tel: +49 (0) 1 80-530 85 85 English Tel: +49 (0) 1 80-532 78 32 Français Tel: +49 (0) 1 80-532 93 58 Italiano Tel: +49 (0) 1 80-534 16 80</p>	<p><b>National Semiconductor Asia Pacific Customer Response Group</b> Tel: 65-2544466 Fax: 65-2504466 Email: sea.support@nsc.com</p>	<p><b>National Semiconductor Japan Ltd.</b> Tel: 81-3-5620-6175 Fax: 81-3-5620-6179</p>
--	---	--	---

www.national.com

## IMPORTANT NOTICE

Texas Instruments Incorporated and its subsidiaries (TI) reserve the right to make corrections, modifications, enhancements, improvements, and other changes to its products and services at any time and to discontinue any product or service without notice. Customers should obtain the latest relevant information before placing orders and should verify that such information is current and complete. All products are sold subject to TI's terms and conditions of sale supplied at the time of order acknowledgment.

TI warrants performance of its hardware products to the specifications applicable at the time of sale in accordance with TI's standard warranty. Testing and other quality control techniques are used to the extent TI deems necessary to support this warranty. Except where mandated by government requirements, testing of all parameters of each product is not necessarily performed.

TI assumes no liability for applications assistance or customer product design. Customers are responsible for their products and applications using TI components. To minimize the risks associated with customer products and applications, customers should provide adequate design and operating safeguards.

TI does not warrant or represent that any license, either express or implied, is granted under any TI patent right, copyright, mask work right, or other TI intellectual property right relating to any combination, machine, or process in which TI products or services are used. Information published by TI regarding third-party products or services does not constitute a license from TI to use such products or services or a warranty or endorsement thereof. Use of such information may require a license from a third party under the patents or other intellectual property of the third party, or a license from TI under the patents or other intellectual property of TI.

Reproduction of TI information in TI data books or data sheets is permissible only if reproduction is without alteration and is accompanied by all associated warranties, conditions, limitations, and notices. Reproduction of this information with alteration is an unfair and deceptive business practice. TI is not responsible or liable for such altered documentation. Information of third parties may be subject to additional restrictions.

Resale of TI products or services with statements different from or beyond the parameters stated by TI for that product or service voids all express and any implied warranties for the associated TI product or service and is an unfair and deceptive business practice. TI is not responsible or liable for any such statements.

TI products are not authorized for use in safety-critical applications (such as life support) where a failure of the TI product would reasonably be expected to cause severe personal injury or death, unless officers of the parties have executed an agreement specifically governing such use. Buyers represent that they have all necessary expertise in the safety and regulatory ramifications of their applications, and acknowledge and agree that they are solely responsible for all legal, regulatory and safety-related requirements concerning their products and any use of TI products in such safety-critical applications, notwithstanding any applications-related information or support that may be provided by TI. Further, Buyers must fully indemnify TI and its representatives against any damages arising out of the use of TI products in such safety-critical applications.

TI products are neither designed nor intended for use in military/aerospace applications or environments unless the TI products are specifically designated by TI as military-grade or "enhanced plastic." Only products designated by TI as military-grade meet military specifications. Buyers acknowledge and agree that any such use of TI products which TI has not designated as military-grade is solely at the Buyer's risk, and that they are solely responsible for compliance with all legal and regulatory requirements in connection with such use.

TI products are neither designed nor intended for use in automotive applications or environments unless the specific TI products are designated by TI as compliant with ISO/TS 16949 requirements. Buyers acknowledge and agree that, if they use any non-designated products in automotive applications, TI will not be responsible for any failure to meet such requirements.

Following are URLs where you can obtain information on other Texas Instruments products and application solutions:

### Products

Audio	<a href="http://www.ti.com/audio">www.ti.com/audio</a>
Amplifiers	<a href="http://amplifier.ti.com">amplifier.ti.com</a>
Data Converters	<a href="http://dataconverter.ti.com">dataconverter.ti.com</a>
DLP® Products	<a href="http://www.dlp.com">www.dlp.com</a>
DSP	<a href="http://dsp.ti.com">dsp.ti.com</a>
Clocks and Timers	<a href="http://www.ti.com/clocks">www.ti.com/clocks</a>
Interface	<a href="http://interface.ti.com">interface.ti.com</a>
Logic	<a href="http://logic.ti.com">logic.ti.com</a>
Power Mgmt	<a href="http://power.ti.com">power.ti.com</a>
Microcontrollers	<a href="http://microcontroller.ti.com">microcontroller.ti.com</a>
RFID	<a href="http://www.ti-rfid.com">www.ti-rfid.com</a>
OMAP Mobile Processors	<a href="http://www.ti.com/omap">www.ti.com/omap</a>
Wireless Connectivity	<a href="http://www.ti.com/wirelessconnectivity">www.ti.com/wirelessconnectivity</a>

### Applications

Communications and Telecom	<a href="http://www.ti.com/communications">www.ti.com/communications</a>
Computers and Peripherals	<a href="http://www.ti.com/computers">www.ti.com/computers</a>
Consumer Electronics	<a href="http://www.ti.com/consumer-apps">www.ti.com/consumer-apps</a>
Energy and Lighting	<a href="http://www.ti.com/energy">www.ti.com/energy</a>
Industrial	<a href="http://www.ti.com/industrial">www.ti.com/industrial</a>
Medical	<a href="http://www.ti.com/medical">www.ti.com/medical</a>
Security	<a href="http://www.ti.com/security">www.ti.com/security</a>
Space, Avionics and Defense	<a href="http://www.ti.com/space-avionics-defense">www.ti.com/space-avionics-defense</a>
Transportation and Automotive	<a href="http://www.ti.com/automotive">www.ti.com/automotive</a>
Video and Imaging	<a href="http://www.ti.com/video">www.ti.com/video</a>

TI E2E Community Home Page

[e2e.ti.com](http://e2e.ti.com)

Mailing Address: Texas Instruments, Post Office Box 655303, Dallas, Texas 75265  
Copyright © 2011, Texas Instruments Incorporated