

# Hermetic,Packages

*Hermetic Packages*



Literature Number: SNOA280

## Hermetic Packages

National Semiconductor offers a wide variety of ceramic and metal can packages for through-hole and surface mount applications. These ceramic and metal can packages are offered as solutions for high reliability and often high performance applications, and are extensively used in military/aerospace and commercial applications. By design, a hermetic seal prevents gases and liquids from entering the package cavity where the die is mounted. Because of the package materials, hermetic packages are able to withstand higher temperatures than the equivalent plastic packages.

The construction of hermetic packages can be divided into three main categories: multilayer ceramic packages, pressed ceramic packages, and metal can packages.

### Multilayer Ceramic Packages

For multilayer packages, ceramic tape layers are metallized, laminated and then fired to create the package body. Leads are then brazed to the package body. The metallized areas of the package are then electroplated (usually nickel followed by gold). After assembly, the hermetic seal is achieved by soldering a metal lid onto the metallized and plated seal ring. These packages therefore are often referred to as solder seal packages.

The multilayer construction allows the package designer to incorporate electrical enhancements within the package body. For example, power and ground planes to reduce inductance, shield planes to reduce cross talk, and controlled characteristic impedance of signal lines have been incorporated into multilayer ceramic packages.

### Pressed Ceramic Packages

Pressed ceramic packages are usually a three part construction: base, lid and leadframe. The base and lid are manufactured in the same manner by pressing ceramic powder into the desired shape and then firing. Glass is then screened onto the fired base and lid. The glass paste is then fired. During package assembly, a separate leadframe is embedded into the base glass. The hermetic seal is then formed by melting the lid glass over the base and leadframe combination. This seal method is referred to as a frit seal, and therefore this package is often called a glass frit seal package.

The pressed ceramic packages are typically lower in cost than the multilayer packages. However, the simple construction does not allow for many electrical enhancements.

### Metal Can Packages

Metal can packages consist of a metal base with leads exiting through a glass seal. This glass seal can be a compression seal or a matched seal. After device assembly in the package, a metal lid (or can) is resistance welded to the metal base forming the hermetic seal. The metal can packages are usually low leadcount, less than 24 leads, and low in cost. Certain outlines, such as the TO-3, have very low thermal resistance. These packages are used in many linear and hybrid applications.

### Hermetic Package Configuration

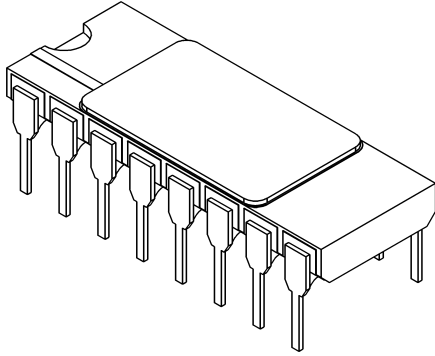
National offers DIP configurations in the pressed ceramic (Cerdip) package style as well as the multilayer ceramic sidebraced (SB) package. Other through hole package styles are the metal can packages (TO) and the ceramic pin grid array (CPGA) packages.

Many ceramic surface mount packages are offered by National. Dual in line packages such as the pressed ceramic Cerpack, and the multilayer ceramic flatpack are available in the lower leadcounts. These packages typically have a lead pitch of 50 mils. Applications requiring higher lead density use quad packages such as the multilayer ceramic quad flatpack (CQFP) and the pressed ceramic Cerquad. Lead pitch of 25 or 20 mils (or the metric equivalent 0.65 mm and 0.50 mm) are most common for the quad packages.

The following table provides configuration and characteristic data regarding each of the ceramic and metal can packages offered by National.

**Package Configuration**

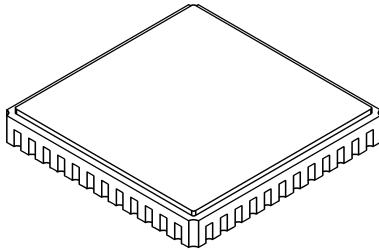
**Ceramic Sidebrazed Dual-In-line Package (SB)**



**Package Characteristics**

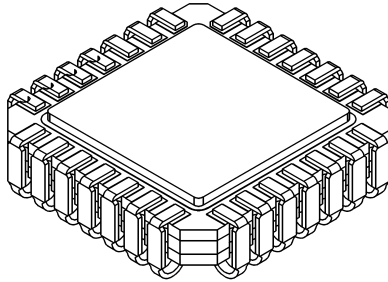
- Through Hole Package
- Brazed Straight Leads to Pads on Package Side
- Gold Plate or Solder Dip Lead Finish
- Multilayer Ceramic Package
- Solder Seal
- Footprint Compatible with Cerdip and MDIP

**Ceramic Leadless Chip Carrier (LCC)**



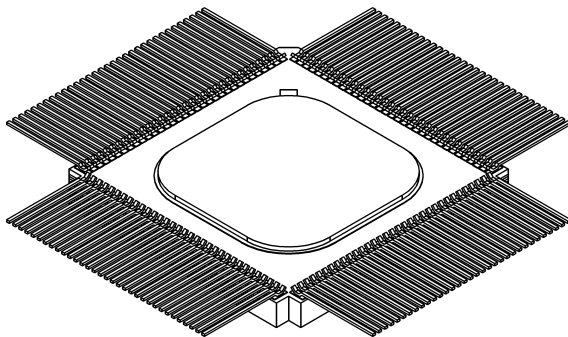
- Surface/Socket Mount Package
- Terminal Pads Instead of Leads
- Gold Plate or Solder Dip Lead Finish
- Multilayer Ceramic Package
- Solder Seal
- Footprint Compatible with CQJB and PLCC

**Ceramic Quad J-Bend (CQJB)**



- Surface Mount Package
- J-Bend Lead Configuration
- Gold Plate Lead Finish
- Multilayer Ceramic Package
- Solder Seal
- Footprint Compatible with LCC and PLCC

**Ceramic Quad Flatpack (CQFP)**



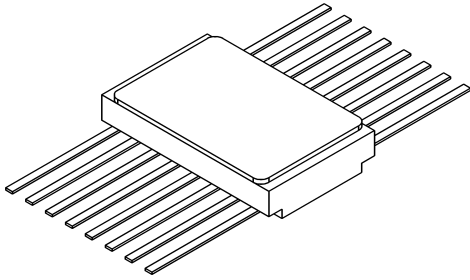
- Surface Mount Package
- Straight Lead Configuration
- Gold Plate Lead Finish
- Multilayer Ceramic Package
- Solder Seal

(Continued)

**Package Configuration**

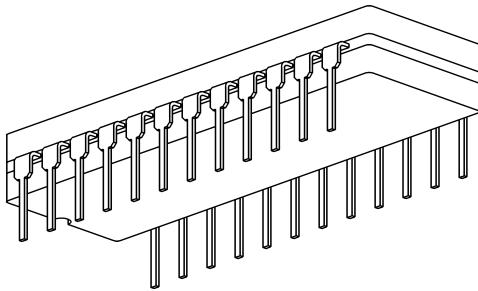
**Package Characteristics**

**Ceramic Flatpack**



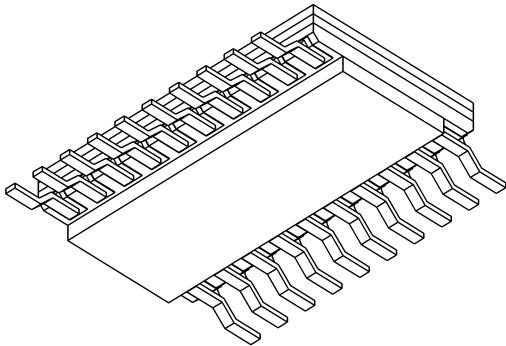
- Surface Mount or Through Hole Package
- Straight Lead Configuration
- Gold Plate Lead Finish
- Multilayer Ceramic Package
- Solder Seal
- Footprint Compatible with Cerpack

**Ceramic Dual-In-Line Package (Cerdip)**



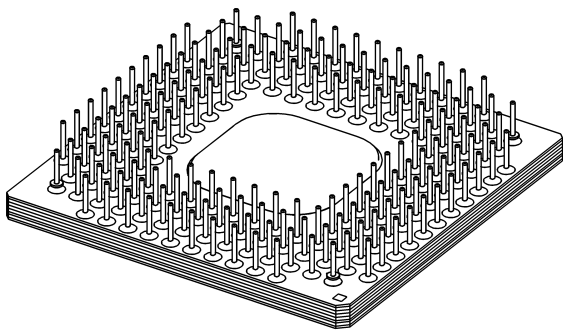
- Through Hole Package
- Straight Lead Configuration
- Solder Dip Lead Finish
- Pressed Ceramic Package
- Glass Seal
- Footprint Compatible with SB and MDIP

**Ceramic Small Outline Package**



- Surface Mount Package
- Gull Wing Lead Configuration
- Gold Plate Lead Finish
- Multilayer Ceramic Package
- Solder Seal
- Footprint Compatible with Wide Body Plastic SOP

**Ceramic Pin Grid Array (CPGA)**



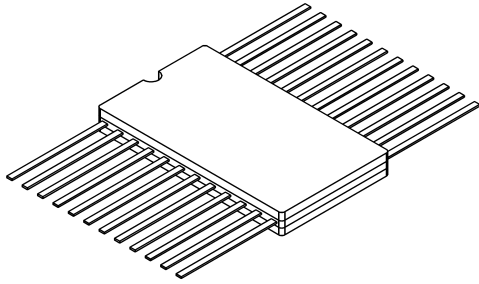
- Through Hole Package
- Straight Lead Configuration
- Gold Plate Lead Finish
- Multilayer Ceramic Package
- Solder Seal
- Footprint Compatible with PPGA

(Continued)

**Package Configuration**

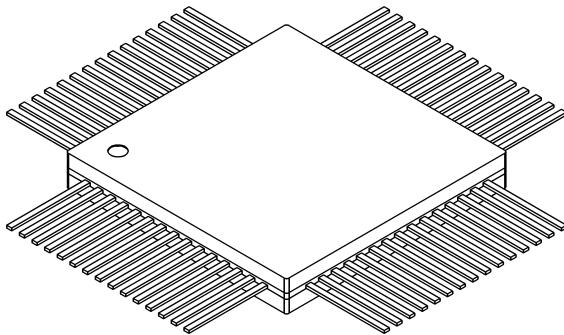
**Package Characteristics**

**Cerpack**



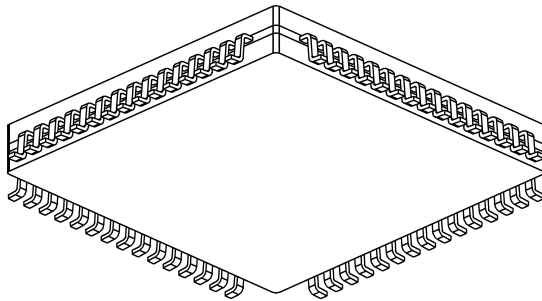
- Surface Mount or Through Hole Package
- Straight Lead Configuration
- Solder Dip Lead Finish
- Pressed Ceramic Package
- Glass Seal
- Footprint Compatible with Flatpak

**Cerquad**



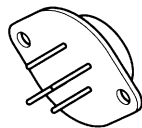
- Surface Mount Package
- Straight Lead Configuration
- Solder DIP or Tin Plate Lead Finish
- Pressed Ceramic Package
- Glass Seal
- Footprint Compatible with PQFP
- Can be Electrically and/or Thermally Enhanced

**Cerquad — EIAJ**



- Surface Mount Package
- Gull Wing Lead Configuration
- Solder DIP or Tin Plate Lead Finish
- Pressed Ceramic Package
- Glass Seal
- Footprint Compatible with PQFP
- Can be Electrically and/or Thermally Enhanced

**TO-3  
Metal Can**



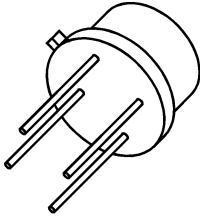
- Through Hole Package
- Solder Dip Lead Finish
- Steel or Aluminum Base
- Compression Glass Seal

(Continued)

**Package Configuration**

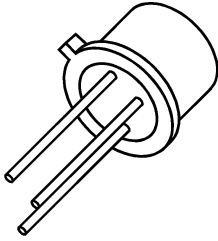
**Package Characteristics**

**TO-5 and TO-39  
Metal Can**



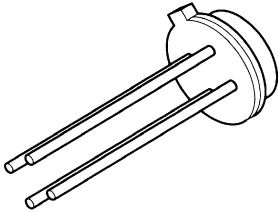
- Through Hole Package
- Solder Dip or Gold Plate Lead Finish TO-5
- Kovar Base
- Matched Glass Seal TO-39
- Kovar or Steel Base
- Matched or Compression Glass Seal

**TO-18  
Metal Can**



- Through Hole Package
- Solder DIP or Gold Plate Lead Finish
- Kovar Base
- Matched Glass Seal

**TO-46, TO-52 and TO-72  
Metal Can**



- Through Hole Package
- Solder Dip or Gold Plate Lead Finish
- Kovar or Steel Base
- Matched or Compression Glass Seal

(Continued)

**LIFE SUPPORT POLICY**

NATIONAL'S PRODUCTS ARE NOT AUTHORIZED FOR USE AS CRITICAL COMPONENTS IN LIFE SUPPORT DEVICES OR SYSTEMS WITHOUT THE EXPRESS WRITTEN APPROVAL OF THE PRESIDENT AND GENERAL COUNSEL OF NATIONAL SEMICONDUCTOR CORPORATION. As used herein:

1. Life support devices or systems are devices or systems which, (a) are intended for surgical implant into the body, or (b) support or sustain life, and whose failure to perform when properly used in accordance with instructions for use provided in the labeling, can be reasonably expected to result in a significant injury to the user.
2. A critical component is any component of a life support device or system whose failure to perform can be reasonably expected to cause the failure of the life support device or system, or to affect its safety or effectiveness.



**National Semiconductor Corporation**  
Americas  
Tel: 1-800-272-9959  
Fax: 1-800-737-7018  
Email: support@nsc.com

www.national.com

**National Semiconductor Europe**  
Fax: +49 (0) 1 80-530 85 86  
Email: europe.support@nsc.com  
Deutsch Tel: +49 (0) 1 80-530 85 85  
English Tel: +49 (0) 1 80-532 78 32  
Français Tel: +49 (0) 1 80-532 93 58  
Italiano Tel: +49 (0) 1 80-534 16 80

**National Semiconductor Asia Pacific Customer Response Group**  
Tel: 65-2544466  
Fax: 65-2504466  
Email: sea.support@nsc.com

**National Semiconductor Japan Ltd.**  
Tel: 81-3-5639-7560  
Fax: 81-3-5639-7507

## IMPORTANT NOTICE

Texas Instruments Incorporated and its subsidiaries (TI) reserve the right to make corrections, modifications, enhancements, improvements, and other changes to its products and services at any time and to discontinue any product or service without notice. Customers should obtain the latest relevant information before placing orders and should verify that such information is current and complete. All products are sold subject to TI's terms and conditions of sale supplied at the time of order acknowledgment.

TI warrants performance of its hardware products to the specifications applicable at the time of sale in accordance with TI's standard warranty. Testing and other quality control techniques are used to the extent TI deems necessary to support this warranty. Except where mandated by government requirements, testing of all parameters of each product is not necessarily performed.

TI assumes no liability for applications assistance or customer product design. Customers are responsible for their products and applications using TI components. To minimize the risks associated with customer products and applications, customers should provide adequate design and operating safeguards.

TI does not warrant or represent that any license, either express or implied, is granted under any TI patent right, copyright, mask work right, or other TI intellectual property right relating to any combination, machine, or process in which TI products or services are used. Information published by TI regarding third-party products or services does not constitute a license from TI to use such products or services or a warranty or endorsement thereof. Use of such information may require a license from a third party under the patents or other intellectual property of the third party, or a license from TI under the patents or other intellectual property of TI.

Reproduction of TI information in TI data books or data sheets is permissible only if reproduction is without alteration and is accompanied by all associated warranties, conditions, limitations, and notices. Reproduction of this information with alteration is an unfair and deceptive business practice. TI is not responsible or liable for such altered documentation. Information of third parties may be subject to additional restrictions.

Resale of TI products or services with statements different from or beyond the parameters stated by TI for that product or service voids all express and any implied warranties for the associated TI product or service and is an unfair and deceptive business practice. TI is not responsible or liable for any such statements.

TI products are not authorized for use in safety-critical applications (such as life support) where a failure of the TI product would reasonably be expected to cause severe personal injury or death, unless officers of the parties have executed an agreement specifically governing such use. Buyers represent that they have all necessary expertise in the safety and regulatory ramifications of their applications, and acknowledge and agree that they are solely responsible for all legal, regulatory and safety-related requirements concerning their products and any use of TI products in such safety-critical applications, notwithstanding any applications-related information or support that may be provided by TI. Further, Buyers must fully indemnify TI and its representatives against any damages arising out of the use of TI products in such safety-critical applications.

TI products are neither designed nor intended for use in military/aerospace applications or environments unless the TI products are specifically designated by TI as military-grade or "enhanced plastic." Only products designated by TI as military-grade meet military specifications. Buyers acknowledge and agree that any such use of TI products which TI has not designated as military-grade is solely at the Buyer's risk, and that they are solely responsible for compliance with all legal and regulatory requirements in connection with such use.

TI products are neither designed nor intended for use in automotive applications or environments unless the specific TI products are designated by TI as compliant with ISO/TS 16949 requirements. Buyers acknowledge and agree that, if they use any non-designated products in automotive applications, TI will not be responsible for any failure to meet such requirements.

Following are URLs where you can obtain information on other Texas Instruments products and application solutions:

### Products

Audio	<a href="http://www.ti.com/audio">www.ti.com/audio</a>
Amplifiers	<a href="http://amplifier.ti.com">amplifier.ti.com</a>
Data Converters	<a href="http://dataconverter.ti.com">dataconverter.ti.com</a>
DLP® Products	<a href="http://www.dlp.com">www.dlp.com</a>
DSP	<a href="http://dsp.ti.com">dsp.ti.com</a>
Clocks and Timers	<a href="http://www.ti.com/clocks">www.ti.com/clocks</a>
Interface	<a href="http://interface.ti.com">interface.ti.com</a>
Logic	<a href="http://logic.ti.com">logic.ti.com</a>
Power Mgmt	<a href="http://power.ti.com">power.ti.com</a>
Microcontrollers	<a href="http://microcontroller.ti.com">microcontroller.ti.com</a>
RFID	<a href="http://www.ti-rfid.com">www.ti-rfid.com</a>
OMAP Mobile Processors	<a href="http://www.ti.com/omap">www.ti.com/omap</a>
Wireless Connectivity	<a href="http://www.ti.com/wirelessconnectivity">www.ti.com/wirelessconnectivity</a>

### Applications

Communications and Telecom	<a href="http://www.ti.com/communications">www.ti.com/communications</a>
Computers and Peripherals	<a href="http://www.ti.com/computers">www.ti.com/computers</a>
Consumer Electronics	<a href="http://www.ti.com/consumer-apps">www.ti.com/consumer-apps</a>
Energy and Lighting	<a href="http://www.ti.com/energy">www.ti.com/energy</a>
Industrial	<a href="http://www.ti.com/industrial">www.ti.com/industrial</a>
Medical	<a href="http://www.ti.com/medical">www.ti.com/medical</a>
Security	<a href="http://www.ti.com/security">www.ti.com/security</a>
Space, Avionics and Defense	<a href="http://www.ti.com/space-avionics-defense">www.ti.com/space-avionics-defense</a>
Transportation and Automotive	<a href="http://www.ti.com/automotive">www.ti.com/automotive</a>
Video and Imaging	<a href="http://www.ti.com/video">www.ti.com/video</a>

TI E2E Community Home Page

[e2e.ti.com](http://e2e.ti.com)

Mailing Address: Texas Instruments, Post Office Box 655303, Dallas, Texas 75265  
Copyright © 2011, Texas Instruments Incorporated