

OA-12 Noise Analysis for Comlinear Amplifiers

ABSTRACT

This application report covers the noise model for all current-feedback op amps, simple design techniques and useful approximations. This is a frequency-domain model to simplify circuit analysis and design. This information simplifies the selection of a low-noise current-feedback op amp.

This revision obsoletes the previous revision of this document, and covers additional material.

Contents

1	Contents	2
2	Scope of Noise Analysis	2
3	Noise Model	2
4	Integrated Noise	3
5	Dynamic Range	4
6	Improving Output Noise	4
7	1/f Noise	5
8	SPICE Models	5
9	Design Example	6
10	Conclusions	8
11	References	8
Appendix A	Derivation of Noise Power Bandwidth Formula	9

List of Figures

1	3
2	Non-Inverting Gain Amplifier	6

List of Tables

1 Contents

The subjects covered are:

- The noise model for current-feedback op amps
- Converting noise densities to integrated noise
- Interpreting integrated noise as SNR
- Output noise improvement
- 1/f noise calculations
- SPICE models
- A design example
- A derivation of the noise power bandwidth (NPBW) approximation (see [Appendix A](#))
- A reference section

2 Scope of Noise Analysis

The noise analysis in this application report deals with random noise generated by the devices and components in a circuit. Noise analysis gives the greatest benefit when:

- The signal level is low
- The signal to noise ratio (SNR) is high
- The signal sees a substantial gain

Noise analysis will not help:

- Identify and eliminate oscillation or instability problems
- Reduce EMI (Electro-Magnetic Interference)
- Reduce cross talk

3 Noise Model

Three input-referred noise density (spot noise) sources model the noise generated by current-feedback (CFB) op amps. Noise power density (e_n^2 or i_n^2) is the power measured in a narrow bandwidth, normalized to the load resistance, in units of V^2/Hz or A^2/Hz . Voltage noise density (e_n) and current noise density (i_n) are the square-root of noise power density in units of $V/\sqrt{\text{Hz}}$ or $A/\sqrt{\text{Hz}}$. Notice that these noise densities are functions of frequency.

[Figure 1](#) shows the three input noise density sources, e_{ni}^2 , i_{bn}^2 and i_{bi}^2 , in a standard amplifier circuit. The specifications give densities that are constant over frequency (white noise). Ground R_T for inverting gain circuits, and ground R_g for non-inverting gain circuits

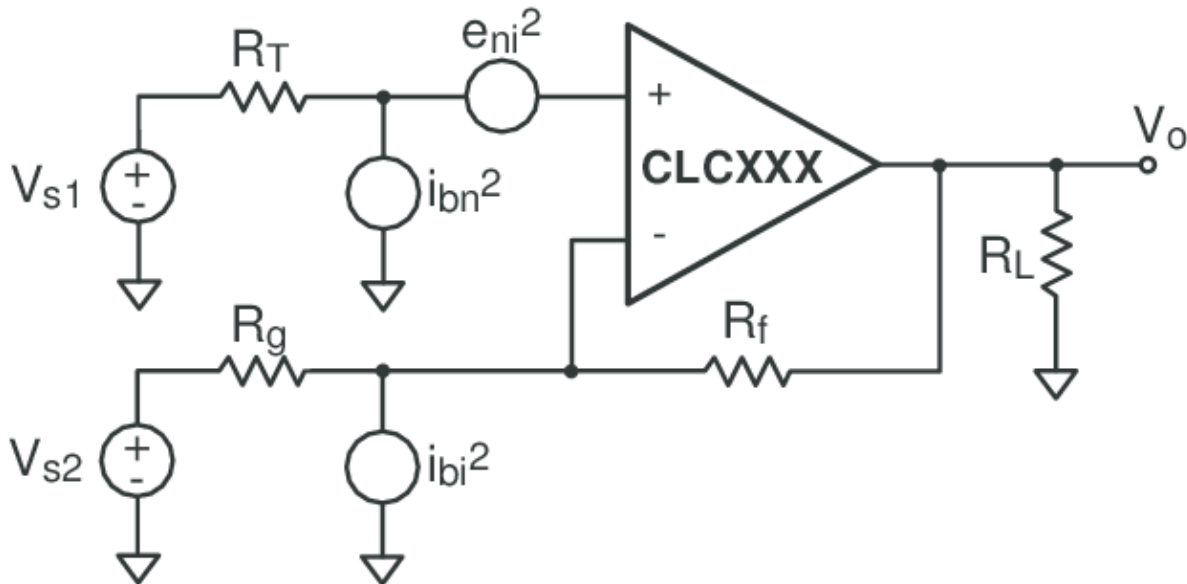


Figure 1.

The equation for the output voltage noise density is:

$$e_{no}^2 = G_n^2 \cdot \left(e_{ni}^2 + (i_{bn} R_T)^2 + 4kT (R_T + (R_f \parallel R_g)) \right) + (i_{bi} R_f)^2 + (e_{ns1} G_n)^2 + (e_{ns2} (G_n - 1))^2$$

where:

- $G_n = 1 + \frac{R_f}{R_g}$
- e_{no} is the voltage noise density (V/ $\sqrt{\text{Hz}}$) seen at V_o
- e_{ni} is the op amp's input voltage noise density (V/ $\sqrt{\text{Hz}}$)
- i_{bn} and i_{bi} are the op amp's input current noise densities (A/ $\sqrt{\text{Hz}}$)
- $4kT = (16.0 \times 10^{-21} \text{J}) \cdot \frac{T}{290^\circ\text{K}}$, T is the temperature in K
- e_{ns1} and e_{ns2} are the voltage noise densities (V/ $\sqrt{\text{Hz}}$) produced by V_{S1} and V_{S2}

(1)

The load resistor (R_L) has a negligible contribution to the noise because the output resistance of the op amp is very small.

The system transfer function will shape the output noise. See References [1] and [2] for information on how to generate noise transfer functions. The *1/f Noise* section covers excess noise (noise that exceeds the white noise specifications).

4 Integrated Noise

Convert the output voltage noise density to the integrated output voltage noise by integrating over frequency:

$$E_{no} = \sqrt{\int_0^{\infty} e_{no}^2 |H_{eno}(jf)|^2 df} = e_{no} \cdot \sqrt{NPBW}$$

$$NPBW \approx 1.3 \cdot f_2 - 0.8 \cdot f_1 \quad (2)$$

where:

- $H_{eno}(jf)$ is the noise transfer function for e_{no}
- f_1 is the lower -3dB corner frequency for AC-coupled systems, or the lowest frequency that affects your system's performance
- f_2 is the upper -3dB corner frequency
- The NPBW approximation holds when:
 - There is ≤ 3 dB of gain peaking
 - $f_1 \ll f_2$
 - If the NPBW approximation does not hold, use numerical integration instead

The integrated output noise, E_{no} , is the standard deviation of the output noise in units of V_{rms} . It is also a measure of the lower end of the useful dynamic range. Because integrated output noise depends on the circuit architecture, component values and the op amp, **it is best to compare op amps based on the input noise densities**

To see how each noise source contributes to E_{no} , integrate each term separately:

$$E_{no}^2 = \int_0^{\infty} G_n^2 e_{ni}^2 |H_{eni}(jf)|^2 df + \int_0^{\infty} G_{n1bn}^2 R_T^2 |H_{1bn}(jf)|^2 df + \dots \quad (3)$$

This information is useful for improving the amplifier's SNR.

5 Dynamic Range

Signal to noise ratio (SNR) describes how much dynamic range a signal has. It compares the lower end of the useful dynamic range (E_{no}) to the signal magnitude (in units of V_{rms}). The input and output signal to noise ratios are:

$$SNR_{in} = 20 \log \left(\frac{V_{in(rms)}}{E_{nin}} \right), \text{ dB}$$

$$SNR_o = 10 \log \left(\frac{V_{o(rms)}^2 / R_L}{E_{no}^2 / R_L} \right) = 20 \log \left(\frac{V_{o(rms)}}{E_{no}} \right), \text{ dB} \quad (4)$$

where:

- $V_{in(rms)}$ is the signal voltage at the input (V_{S1} or V_{S2}), V_{rms}
- E_{nin} is the integrated voltage noise at the input (at V_{S1} or V_{S2}), V_{rms}
- $V_{o(rms)}$ is the signal voltage at the output, V_{rms}
- E_{no} is the integrated voltage noise at the output, V_{rms}

6 Improving Output Noise

To reduce output noise, do the following:

- Band-limit the signal after the op amp to limit the final output noise
- AC couple when possible
- Use a low-pass filter, or a band-pass filter
- Reduce gain peaking to lower the NPBW
- Reduce resistor values to lower thermal noise, but keep in mind that:
 - R_f values smaller than that recommended in the device-specific data sheet causes gain peaking and increased bandwidth; **the NPBW may increase faster than the intended noise reduction**

- Smaller loads at the op amp's output increase distortion and power consumption
- Resistors connected to the input of current-sensing amplifiers act as current noise sources;
increase these resistor values to reduce thermal noise

For those op amps with an adjustable supply current, the input noise sources change with supply current. As the supply current increases, the input voltage noise decreases, the input current noises increase, the distortion improves and the bandwidth increases. For the best voltage noise performance, use the highest supply current. For the best current noise performance, use the lowest supply current.

7 1/f Noise

At low frequencies, the three input noise density terms are larger than predicted by the specifications. The dominant source of this excess noise is 1/f (or flicker) noise. Burst noise also contributes to excess noise, but is not covered in this application report. The input noise sources, with both the 1/f noise and white noise terms included, are:

$$\begin{aligned}
 e_{ni}^2(f) &= e_{ni}^2 \left(1 + \frac{f_{c(eni)}}{f} \right) \\
 i_{bn}^2(f) &= i_{bn}^2 \left(1 + \frac{f_{c(ibn)}}{f} \right) \\
 i_{bi}^2(f) &= i_{bi}^2 \left(1 + \frac{f_{c(ibi)}}{f} \right)
 \end{aligned} \tag{5}$$

where:

- $e_{ni}^2(f)$ is the sum of the white noise term, e_{ni}^2 , and the 1/f noise term, $e_{ni}^2 \cdot \frac{f_{c(eni)}}{f}$
- $f_{c(eni)}$ is the corner frequency of the 1/f noise for $e_{ni}^2(f)$; this is the point where $e_{ni}^2(f)$ doubles its white noise value
- the other input noise terms are defined similarly

Notice that flicker noise power density is proportional to 1/f; flicker voltage noise density and flicker current noise densities are proportional to 1/√f.

To integrate both white noise and 1/f noise, evaluate individual noise terms separately. For each term obtain:

$$\begin{aligned}
 E_n^2 &= \int_0^{\infty} e_n^2 \left(1 + \frac{f_c}{f} \right) |H_{en}(jf)|^2 df = e_n^2 \cdot \text{NPBW} \\
 \text{NPBW} &\approx (1.3 \cdot f_2 - 0.8 \cdot f_1) + \text{NPBW}_{1/f} \\
 \text{NPBW}_{1/f} &\approx f_c \cdot \ln \left(\frac{f_2}{f_1} \right)
 \end{aligned} \tag{6}$$

The 1/f noise contribution is negligible when $f_2 \gg f_c$. f_1 is the largest frequency that does not affect your system's performance when the amplifier is DC-coupled.

Use metal-film resistors to minimize 1/f noise.

8 SPICE Models

SPICE models are available for most of Comlinear's amplifiers. These models support AC noise simulations at room temperature. We recommend simulating with Comlinear's SPICE models to:

- Predict a better value for NPBW
- Support quicker design cycles

To verify your simulations, we recommend breadboarding your circuit. Evaluation boards are available for building and testing Comlinear's amplifiers.

9 Design Example

This design example demonstrates the noise design of a simple circuit. The CFB op amp in this example is not an actual product; **the parameter values shown are arbitrary** and are for illustration purposes only.

This example uses the non-inverting gain amplifier in [Figure 2](#). The components shown are:

- V_{S1} is the input voltage source (with very low output impedance). The signal at V_{S1} is $100mV_{rms}$, and the voltage noise e_{ns1} (at V_{S1}) is $3.0nV/\sqrt{Hz}$.
- A 50Ω coax cable is placed between the source and the amplifier
- $R_{T1} = 50\Omega$ to match the coax cable's impedance and prevent reflections
- R_{T2} prevents gain peaking, and filters the input signal with C_T
- C_T filters the input signal (this reduces the signal's slew rate)
- R_f and R_g set the gain; the recommended R_f is 250Ω for a gain of 10
- R_L is 100Ω
- The op amp noise terms are:
 - $e_{ni} = 3.0nV/\sqrt{Hz}$ and $f_{c(eni)} = 1.0kHz$
 - $i_{bn} = 2.0pA/\sqrt{Hz}$ and $f_{c(ibn)} = 5.0kHz$
 - $i_{bi} = 12pA/\sqrt{Hz}$ and $f_{c(ibi)} = 10kHz$
- Ambient temperature (T) is $25^\circ C$
- Power dissipation of the op amp causes a $15^\circ C$ junction temperature rise

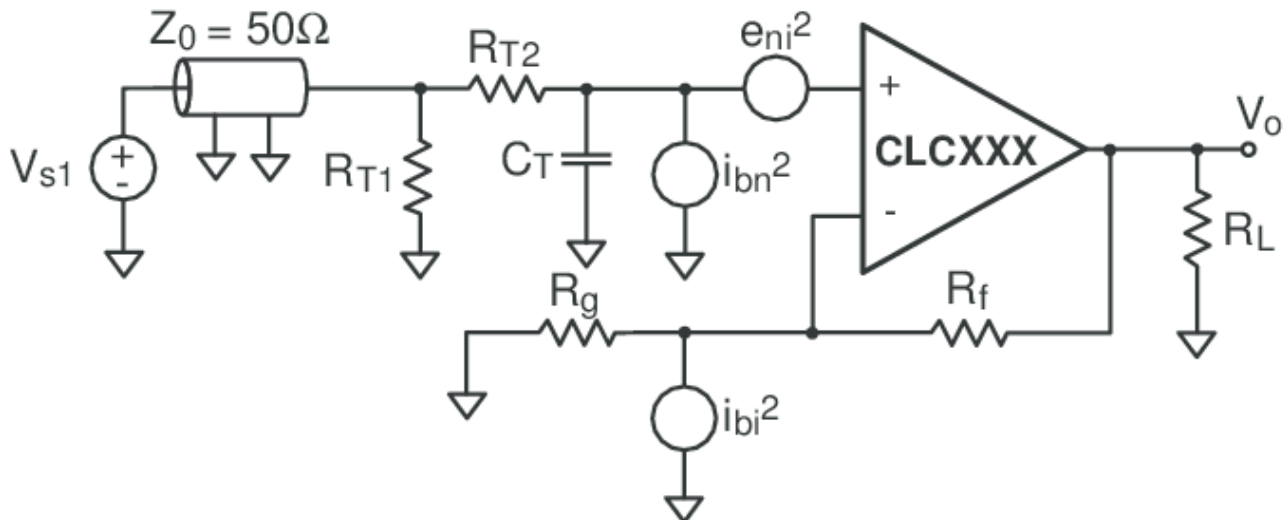


Figure 2. Non-Inverting Gain Amplifier

The design goals are:

- Provide a gain of 10 ($= G_n$ for non-inverting gains)
- DC-couple the signal; the lowest frequency that affects system performance is $10Hz$ (f_1)
- Set an upper 3dB corner frequency of $10MHz$ (f_2)
- Achieve an output SNR of 74dB

The initial design choices that are made are:

- $20MHz$ pole at the input set by C_T and R_{T2} (this will cause reflections in the coax cable for any signal above this pole)
- $10MHz$ filter after this amplifier (not shown); this will set f_2 (NPBW)

- $R_{T2} = 1.0k\Omega$
- $C_T = 8pF$
- $R_f = 250\Omega$, its recommended value, to avoid gain peaking
- $R_g = 27.8\Omega$ to set the gain to $G_n = 10$

The resulting junction temperature of the op amp, input integrated noise and input SNR are:

$$\begin{aligned}
 T &= 25^\circ\text{C} + 15^\circ\text{C} = 40^\circ\text{C} = 313^\circ\text{K} \\
 E_{ns1} &= e_{ns1} \cdot \sqrt{\text{NPBW}} \\
 &\approx (3.0\text{nV}/\sqrt{\text{Hz}}) \cdot \sqrt{13\text{MHz} - 8\text{Hz}} \\
 &\approx (10.8\mu\text{V}_{\text{rms}})^2 \\
 \text{SNR}_{\text{in}} &\approx 79.3\text{dB}
 \end{aligned} \tag{7}$$

R_{T1} does not contribute to the output noise; V_{S1} is a nearly ideal voltage source.

The input source produces an output noise of: The individual white noise contributions of the op amp to the output noise are:

$$G_n^2 \cdot e_{ns1}^2 \cdot \text{NPBW} \approx (108\mu\text{V}_{\text{rms}})^2 \tag{8}$$

The individual white noise contributes of the op amp to output noise are:

$$\begin{aligned}
 G_n^2 \cdot e_{ni}^2 \cdot \text{NPBW} &\approx (108\mu\text{V}_{\text{rms}})^2 \\
 G_n^2 \cdot i_{bn}^2 \cdot R_{T2}^2 \cdot \text{NPBW} &\approx (72\mu\text{V}_{\text{rms}})^2 \\
 i_{bi}^2 \cdot R_f^2 \cdot \text{NPBW} &\approx (11\mu\text{V}_{\text{rms}})^2
 \end{aligned} \tag{9}$$

The individual 1/f noise contributions of the op amp to the output noise are:

$$\begin{aligned}
 G_n^2 \cdot e_{ni}^2 \cdot \text{NPBW}_{1/f} &\approx (10)^2 (3.0\text{nV}/\sqrt{\text{Hz}})^2 \left((1\text{kHz}) \cdot \ln\left(\frac{10\text{MHz}}{10\text{Hz}}\right) \right) \\
 &\approx (3.5\mu\text{V}_{\text{rms}})^2 \\
 G_n^2 \cdot i_{bn}^2 \cdot R_{T2}^2 \cdot \text{NPBW}_{1/f} &\approx (5.3\mu\text{V}_{\text{rms}})^2 \\
 i_{bi}^2 \cdot R_f^2 \cdot \text{NPBW}_{1/f} &\approx (1.1\mu\text{V}_{\text{rms}})^2
 \end{aligned} \tag{10}$$

The contributions of the other components to the output noise are:

$$\begin{aligned}
 G_n^2 \cdot 4kTR_{T2} \cdot \text{NPBW} &\approx (10)^2 (4.2\text{nV}/\sqrt{\text{Hz}})^2 (13\text{MHz} - 8\text{Hz}) \\
 &\approx (150\mu\text{V}_{\text{rms}})^2 \\
 G_n^2 \cdot 4kT(R_f \parallel R_g) \cdot \text{NPBW} &\approx (24\mu\text{V}_{\text{rms}})^2
 \end{aligned} \tag{11}$$

The resulting output integrated noise, output signal and output SNR are:

$$E_{no} \approx 227\mu\text{V}_{\text{rms}} \tag{12}$$

$$V_{o(\text{rms})} = G_n V_{in(\text{rms})} \approx 1.00\text{V}_{\text{rms}} \tag{13}$$

$$\text{SNR}_o \approx 72.9\text{dB} \tag{14}$$

Reduce R_{T2} to improve SNR; this has little impact on other performance parameters. Changing R_{T2} to 200Ω gives:

$$C_T = 40\text{pF} \tag{15}$$

$$E_{no} \approx 169\mu\text{V}_{\text{rms}} \tag{16}$$

$$\text{SNR}_o \approx 75.4\text{dB} \tag{17}$$

In an actual design, the next step would be SPICE simulations, then breadboarding the circuit.

10 Conclusions

The important points to remember when designing low noise circuits are:

- Employ noise analysis where small signals are present
- Select correct resistor values to reduce thermal noise
- Select op amps based on their input noise densities (integrated noise is circuit-dependent)
- Reduce NPBW and gain peaking to minimize integrated output noise
- Estimate your signal's dynamic range using SNR
- Simulate with Comlinear's SPICE models to estimate noise performance
- Build and measure your circuit to verify the design
- Refer to [Section 11](#) for additional background information

11 References

1. C. D. Motchenbacher and J. A. Connelly, *Low-Noise Electronic System Design*, New York, John Wiley & Sons, 1993.
2. P. R. Gray and R. G. Meyer, *Analysis and Design of Analog Integrated Circuits*, 2nd Ed. New York: John Wiley & Sons, 1984.
3. J. D. Gibson, *Principles of Digital and Analog Communications*, New York: Macmillan, 1989.
4. A. B. Carlson, *Communication Systems: An Introduction to Signals and Noise in Electrical Communication*, 3rd Ed. New York: McGraw-Hill, 1986.
5. P. Antognetti and G. Massobrio (Editors), *Semiconductor Device Modeling with SPICE*, New York: McGraw-Hill, 1988.
6. *CLC to LMH Conversion Table* ([SNOA428](#))
-

NOTE: The circuits included in this application report have been tested with Texas Instruments parts that may have been obsoleted and/or replaced with newer products. To find the appropriate replacement part for the obsolete device, see the *CLC to LMH Conversion Table* ([SNOA428](#)).

Appendix A Derivation of Noise Power Bandwidth Formula

The goal is to estimate NPBW using common, easy to measure parameters: the -3dB bandwidth and gain peaking. Assume a second-order transfer function for the op amp circuit's high-frequency behavior:

$$H(s) = \frac{H_0}{1 + \frac{1}{Q} \cdot \frac{s}{\omega_0} + \frac{s^2}{\omega_0^2}}$$

$$|H(jf)| = \frac{H_0}{\sqrt{1 + \left(\frac{1}{Q^2} - 2\right) \cdot \left(\frac{f}{f_0}\right)^2 + \left(\frac{f}{f_0}\right)^4}}$$

$$s = j\omega = j2\pi f \tag{18}$$

where, $\omega_0 = 2\pi f_0$ is the natural frequency of this transfer function.

Integrating the magnitude squared of the transfer function gives:

$$\text{NPBW} = \int_0^{\infty} |H(jf)|^2 df$$

$$= \frac{\pi}{2} \cdot Q \cdot f_0 \tag{19}$$

Solving for the upper -3dB corner frequency (f_2), and substituting the result in [Equation 19](#), gives:

$$\text{NPBW} = \frac{\frac{\pi}{2} \cdot Q \cdot f_2}{\sqrt{\left(1 - \frac{1}{2Q^2}\right) + \sqrt{\left(1 - \frac{1}{2Q^2}\right)^2 + 1}}}$$

$$\tag{20}$$

Gain peaking is easy to measure, and is a strong function of Q for large Q. It is easy to show that:

$$Q = \frac{H_{\max}}{H_0} \cdot \frac{\sqrt{1 + \sqrt{1 - \frac{H_0^2}{H_{\max}^2}}}}{\sqrt{2}}, \quad \frac{1}{\sqrt{2}} \leq Q \tag{21}$$

where, H_{\max} is the peak gain magnitude.

These results support the following approximations:

$$\text{NPBW} \approx (1.3) \cdot f_2, \quad \frac{H_{\max}}{H_0} \leq 1.5$$

$$\approx \frac{H_{\max}}{H_0} \cdot f_2, \quad 1.0 < \frac{H_{\max}}{H_0} \tag{22}$$

with a 20% maximum error. This translates to a 0.8dB maximum error in the estimated SNR.

If the amplifier transfer function has a single pole response, it is easy to show that:

$$\text{NPBW} = (\pi/2) \cdot f_2, \text{ Single pole transfer function} \tag{23}$$

High-order filters will have:

$$\text{NPBW} \approx f_2, \text{ high-order filters} \tag{24}$$

The approximation formula includes both of these cases.

The above results hold for the lower corner -3dB frequency (f_1) with minor modifications. When the corner -3dB frequencies do not interact ($f_1 \ll f_2$), we obtain:

$$\text{NPBW} \approx (1.3 \cdot f_2 - 0.8 \cdot f_1), \quad \frac{H_{\max}}{H_0} \leq 3.0\text{dB} \tag{25}$$

It is easy to extend this result when there is more than 3.0dB of peaking, but it is better to reduce the peaking, or to numerically integrate the output noise.

IMPORTANT NOTICE

Texas Instruments Incorporated and its subsidiaries (TI) reserve the right to make corrections, enhancements, improvements and other changes to its semiconductor products and services per JESD46, latest issue, and to discontinue any product or service per JESD48, latest issue. Buyers should obtain the latest relevant information before placing orders and should verify that such information is current and complete. All semiconductor products (also referred to herein as "components") are sold subject to TI's terms and conditions of sale supplied at the time of order acknowledgment.

TI warrants performance of its components to the specifications applicable at the time of sale, in accordance with the warranty in TI's terms and conditions of sale of semiconductor products. Testing and other quality control techniques are used to the extent TI deems necessary to support this warranty. Except where mandated by applicable law, testing of all parameters of each component is not necessarily performed.

TI assumes no liability for applications assistance or the design of Buyers' products. Buyers are responsible for their products and applications using TI components. To minimize the risks associated with Buyers' products and applications, Buyers should provide adequate design and operating safeguards.

TI does not warrant or represent that any license, either express or implied, is granted under any patent right, copyright, mask work right, or other intellectual property right relating to any combination, machine, or process in which TI components or services are used. Information published by TI regarding third-party products or services does not constitute a license to use such products or services or a warranty or endorsement thereof. Use of such information may require a license from a third party under the patents or other intellectual property of the third party, or a license from TI under the patents or other intellectual property of TI.

Reproduction of significant portions of TI information in TI data books or data sheets is permissible only if reproduction is without alteration and is accompanied by all associated warranties, conditions, limitations, and notices. TI is not responsible or liable for such altered documentation. Information of third parties may be subject to additional restrictions.

Resale of TI components or services with statements different from or beyond the parameters stated by TI for that component or service voids all express and any implied warranties for the associated TI component or service and is an unfair and deceptive business practice. TI is not responsible or liable for any such statements.

Buyer acknowledges and agrees that it is solely responsible for compliance with all legal, regulatory and safety-related requirements concerning its products, and any use of TI components in its applications, notwithstanding any applications-related information or support that may be provided by TI. Buyer represents and agrees that it has all the necessary expertise to create and implement safeguards which anticipate dangerous consequences of failures, monitor failures and their consequences, lessen the likelihood of failures that might cause harm and take appropriate remedial actions. Buyer will fully indemnify TI and its representatives against any damages arising out of the use of any TI components in safety-critical applications.

In some cases, TI components may be promoted specifically to facilitate safety-related applications. With such components, TI's goal is to help enable customers to design and create their own end-product solutions that meet applicable functional safety standards and requirements. Nonetheless, such components are subject to these terms.

No TI components are authorized for use in FDA Class III (or similar life-critical medical equipment) unless authorized officers of the parties have executed a special agreement specifically governing such use.

Only those TI components which TI has specifically designated as military grade or "enhanced plastic" are designed and intended for use in military/aerospace applications or environments. Buyer acknowledges and agrees that any military or aerospace use of TI components which have **not** been so designated is solely at the Buyer's risk, and that Buyer is solely responsible for compliance with all legal and regulatory requirements in connection with such use.

TI has specifically designated certain components as meeting ISO/TS16949 requirements, mainly for automotive use. In any case of use of non-designated products, TI will not be responsible for any failure to meet ISO/TS16949.

Products

Audio	www.ti.com/audio
Amplifiers	amplifier.ti.com
Data Converters	dataconverter.ti.com
DLP® Products	www.dlp.com
DSP	dsp.ti.com
Clocks and Timers	www.ti.com/clocks
Interface	interface.ti.com
Logic	logic.ti.com
Power Mgmt	power.ti.com
Microcontrollers	microcontroller.ti.com
RFID	www.ti-rfid.com
OMAP Applications Processors	www.ti.com/omap
Wireless Connectivity	www.ti.com/wirelessconnectivity

Applications

Automotive and Transportation	www.ti.com/automotive
Communications and Telecom	www.ti.com/communications
Computers and Peripherals	www.ti.com/computers
Consumer Electronics	www.ti.com/consumer-apps
Energy and Lighting	www.ti.com/energy
Industrial	www.ti.com/industrial
Medical	www.ti.com/medical
Security	www.ti.com/security
Space, Avionics and Defense	www.ti.com/space-avionics-defense
Video and Imaging	www.ti.com/video

TI E2E Community

e2e.ti.com