

CN-6

CN-6 Triac Control Using the COP400 Microcontroller Family



Literature Number: SNOA630

Triac Control Using the COP400 Microcontroller Family

National Semiconductor
COP Note 6
February 1981



Table of Contents

1.0 TRIAC CONTROL

- 1.1 Basic Triac Operation
- 1.2 Triggering
- 1.3 Zero Voltage Detection
- 1.4 Direct Couple
- 1.5 Pulse Transformer Interface
- 1.6 False Turn-on

2.0 SOFTWARE TECHNIQUES

- 2.1 Zero Voltage Detection
- 2.2 Processing Time Allocations
 - Half Cycle Approach
 - Full Cycle Approach
- 2.3 Steady State Triggering

3.0 TRIAC LIGHT INTENSITY CONTROL CODE

- 3.1 Triac Light Intensify Routine

1.0 Triac Control

The COP400 single-chip controller family members provide computational ability and speed which is more than adequate to intelligently manage power control. These controllers provide digital control while low cost and short turn-around enhance COPS™ desirability. The COPS controllers are capable of 4 μ s cycle times which can provide more than adequate computational ability when controlling 60 Hz line voltage. Input and output options available on the COPS devices can contour the device to apply in many electrical situations. A more detailed description of COPS qualifications is available in the COP400 data sheets.

The COPS controller family may be utilized to manage power in many ways. This paper is devoted to the investigation of low cost triac interfaces with the COP400 family microcontroller and software techniques for power control applications.

1.1 BASIC TRIAC OPERATION

A triac is basically a bidirectional switch which can be used to control AC power. In the high-impedance state, the triac blocks the principal voltage across the main terminals. By pulsing the gate or applying a steady state gate signal, the triac may be triggered into a low impedance state where conduction across the main terminals will occur. The gate signal polarity need not follow the main terminal polarity; however, this does affect the gate current requirements. Gate current requirements vary depending on the direction of the main terminal current and the gate current. The four trigger modes are illustrated in *Figure 1*.

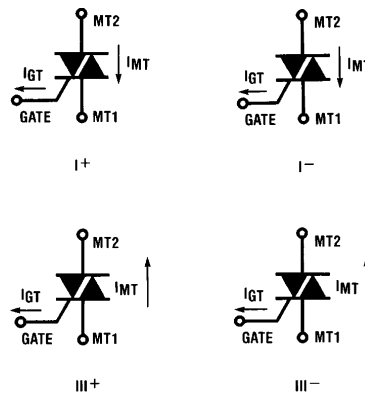
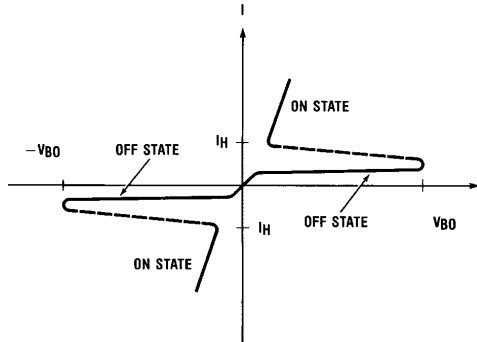


FIGURE 1. Gate Trigger Modes. Polarities Referenced to Main Terminal 1.

TL/DD/6939-1

The breakover voltage (V_{BO}) is specified with the gate current (I_{GT}) equal to zero. By increasing the gate current supplied to the triac, V_{BO} can be reduced to cause the triac to go into the conduction or on state. Once the triac has entered the on state the gate signal need not be present to sustain conduction. The triac will turn itself off when the main terminal current falls below the minimum holding current required to sustain conduction (I_H).

A typical current and voltage characteristic curve is given in *Figure 2*. As can be seen, when the gate voltage and the main terminal 2 (MT2) voltages are positive with respect to MT1 the triac will operate in quadrant 1. In this case the trigger circuit sources current to the triac (I+ MODE).



TL/DD/6939-2

FIGURE 2. Voltage-Current Characteristics

After conduction occurs the main terminal current is independent of the gate current; however, due to the structure of the triac the gate trigger current is dependent on the direction of the main terminal current. The gate current requirements vary from mode to mode. In general, a triac is more easily triggered when the gate current is in the same direction as the main terminal current. This can be illustrated in the situation where there is not sufficient gate drive to cause conduction when MT2 is both positive and negative. In this case the triac may act as a single direction SCR and conduction occurs in only one direction. The trigger circuit must be designed to provide trigger currents for the worst case trigger situation. Another reason ample trigger current must be supplied is to prevent localized heating within the pellet and speed up turn-on time. If the triac is barely triggered only a small portion of the junction will begin to conduct, thus causing localized heating and slower turn-on. If an insufficient gate pulse is applied damage to the triac may result.

1.2 TRIGGERING

Gate triggering signals should exceed the minimum rated trigger requirements as specified by the manufacturer. This is essential to guarantee rapid turn-on time and consistent operation from device to device.

Triac turn-on time is primarily dependent on the magnitude of the applied gate signal. To obtain decreased turn-on times a sufficiently large gate signal should be applied. Faster turn-on time eliminates localized heat spots within the pellet structure and increases triac dependability.

Digital logic circuits, without large buffers, may not have the drive capabilities to efficiently turn on a triac. To insure proper operation in all firing situations, external trigger circuitry might become necessary. Also, to prevent noise from disturbing the logic levels, AC/DC isolation or coupling techniques must be utilized. Sensitive gate triacs which require minimal gate input signal and provide a limited amount of main terminal current may be driven directly. This paper will focus on 120V_{AC} applications of power control.

1.3 ZERO VOLTAGE DETECTION

In many applications it is advantageous to switch power at the AC line zero voltage crossing. In doing this, the device being controlled is not subjected to inherent AC transients. By utilizing this technique, greater dependability can be obtained from the switching device and the device being switched. It is also sometimes desirable to reference an event on a cyclic basis corresponding to the AC line frequency. Depending on the load characteristics, switching times need to be chosen carefully to insure optimal performance. Triac controlled AC switching referenced to the AC 60 Hz line frequency enables precise control over the conduction angle at which the triac is fired. This enables the COPS device to control the power output by increasing or decreasing the conduction angle in each half cycle.

A wide variety of zero voltage detection circuits are available in various levels of sophistication. COPS devices, in most cases, can compensate for noisy or semi-accurate ZVD circuits. This compensation is utilized in the form of debounce and delay routines. If a noisy transition occurs near zero volts the COPS device can wait for a valid transition period specified by the maximum amount of noise present. Some software considerations are presented in the software section and are commented upon. The minimal detection circuit is shown in *Figure 9*.

1.4 DIRECT COUPLE

Isolation associated problems can be overcome by means of direct AC coupling. One such method is illustrated in *Figure 3*. This circuit incorporates a half-wave rectifier in conjunction with a filter capacitor to provide the logic power supply. The positive half-cycle is allowed to drop across the zener diode and be filtered by the capacitor. This creates a low cost line interface; however, only a limited supply current is available. In order to control the current capabilities of this circuit the series resistor must be modified. However, as more current is required, the power that must be dissipated in the series resistor increases. This increases the power dissipation requirements of the series resistor and the system cost. For applications which require large current sources an alternative method is advisable. In order to assure consistent operation, power supply ripple must be mini-

mized. COPS devices can be operated over a relatively wide power supply range. However, excessive ripple may cause an inadvertent reset operation of the device.

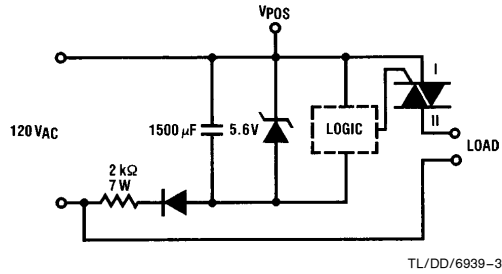


FIGURE 3. AC Direct Couple

1.5 PULSE TRANSFORMER INTERFACE

Digital logic control of triacs is easily accomplished by triggering through pulse transformers or optical coupling. The energy step-up gained by using a pulse transformer should provide a more than adequate gate trigger signal. This complies with manufacturers' suggested gate signal requirements. Pulse transformers also provide AC/DC isolation necessary in control logic interfaces. Minimal circuit interface to the pulse transformer is required as shown in Figure 4. Optical coupling circuits provide isolation, and in some cases adequate gate drive capabilities.

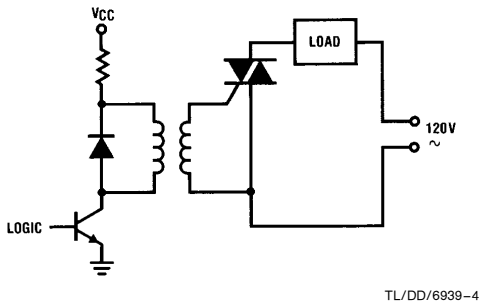


FIGURE 4. Pulse Transformer Interface

A logic controlled pulse is applied to the base of the transistor to switch current through the primary of the pulse transformer. The transformer then transfers the signal to the secondary and causes the triac to fire. The energy transfer that is now available on the secondary is more than adequate to turn on the triac in any of its operating modes. When the pulse transformer is switched off a reverse EMF is generated in the primary coil which may cause damage to the transistor. The diode across the primary serves to protect the collector junction of the switching transistor. Another major advantage is AC isolation; the gate of the triac is now completely isolated from the logic portion of the circuit.

1.6 FALSE TURN-ON

When switching an inductive load, voltage spikes may be generated across the main terminals of the triac which have

the potential of a non-gated turn-on of the triac. This creates the undesirable situation of limited control of the system. In a system with an inductive load the voltage leads the current by a phase shift corresponding to the amount of inductance in the motor. As the current passes near zero, the voltage is at a non-zero value, offset due to the phase shift. When the principal current through the triac pellet decreases to a value not capable of sustaining conduction the triac will turn off. At this point in time the voltage across the terminals will instantaneously attain a value corresponding to the phase shift caused by the inductive load. The rapid decay of current in the inductor causes an $L di/dt$ voltage applied across the terminals of the triac. Should this voltage exceed the blocking voltage specified for the triac, a false turn-on will occur.

In order to avoid false turn-on, a snubber network must be added across the terminals to absorb the excess energy generated by this situation. A common form of this network is a simple RC in series across the terminals. In order to select the values of the network it is necessary to determine the peak voltage allowable in the system and the maximum dV/dt stress the triac can withstand. One approach to obtaining the optimal values for R_S and C_S is to model the effective circuit and solve for the triac voltage. The snubber in conjunction with the load can now be modeled as an RLC network. Due to the two storage elements (L motor, C snubber) a second order differential equation is generated. Rather than approach this problem from a computer standpoint it becomes much easier to obtain design curves generated for rapid solution of this problem. These design curves are available in many triac publications. (For instance, see RCA application note AN 4745.)

2.0 Software Techniques

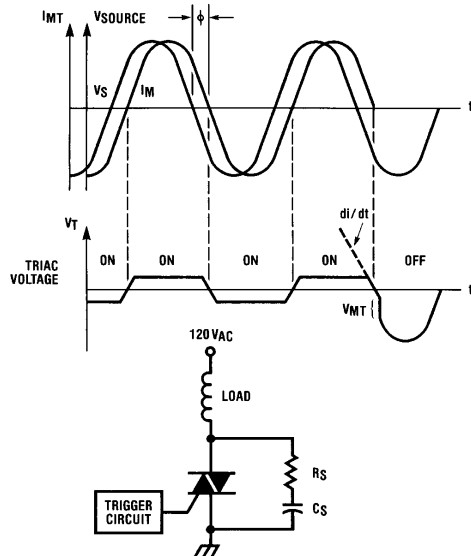
2.1 ZERO VOLTAGE DETECTION

In order to intelligently control triacs on a cyclic basis, an accurate time base must be defined. This may be in the form of an AC, 60 Hz sync pulse generated by a zero voltage detection circuit or a simple real time clock. The COP400 series microcontrollers are suited to accommodate either of these time base schemes while accomplishing auxiliary tasks.

Zero voltage detection is the most useful scheme in AC power control because it affords a real time clock base as well as a reference point in the AC waveform. With this information it is possible to minimize RFI by initiating power-on operations near the AC line voltage zero crossing. It is also possible to fire the triac for only a portion of the cycle, thus utilizing conduction angle manipulation. This is useful in both motor control and light intensity control.

Sophisticated zero voltage detection circuits which are capable of discriminating against noise and switch precisely at zero crossing are not necessary when used in conjunction with a COPS device. COPS software is capable of compensating for noisy or semi-accurate zero voltage detection circuits. This can be accomplished by introducing delays and debounce techniques in the software routines. With a given reference point in the AC waveform it now becomes easy

to divide the waveform to efficiently allocate processing time. These techniques are illustrated in the code listing at the end of this paper.



TL/DD/6939-5

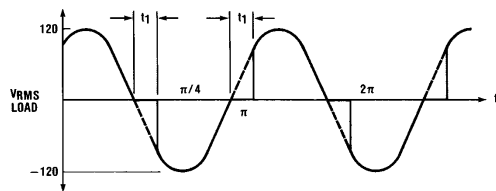
FIGURE 5. Current Lag Caused by Inductive Load, Snubber Circuit

2.2 PROCESSING TIME ALLOCATIONS

Half Cycle Approach

In order to accomplish more than triac timing, dead delay time must be turned into computation time. It appears that the controller is occupied totally by time delays, which leaves a very limited amount of additional control capability. There are, however, many ways to accomplish auxiliary tasks simultaneously.

On each half cycle an initial delay is incorporated to space into the cycle. This dead time may be put to use and very little voltage to the load is sacrificed. For example, if the load is switched on at $\pi/4$ RAD, the maximum applied RMS voltage to the load is $114V_{RMS}$ (assuming $V_{SUPPLY} = 120V_{RMS}$). This is illustrated in the figure below.



TL/DD/6939-6

FIGURE 6. Full Cycle Approach

If a delay of $\pi/4$ RAD (45 degrees) is inserted after each zero crossing detection the RMS voltage to the load can be determined in the following manner:

$$V_{LOAD} = \sqrt{\frac{(120\sqrt{2})^2}{(2)\pi} (2) \int_{\pi/4}^{\pi} \sin^2(a) da}$$

$$V_{LOAD} = \sqrt{\frac{(120\sqrt{2})^2}{(2)\pi} (2) (1.428)}$$

$$V_{LOAD} = 114.4 V_{RMS}$$

$$\pi/4 \text{ RAD} = 45 \text{ degrees} @ 60 \text{ Hz } t = 2.08 \text{ ms}$$

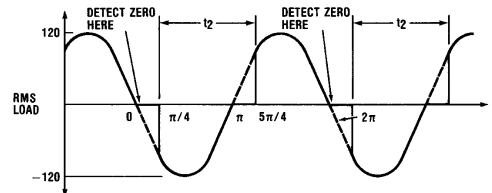
As can be seen the dead time on each half cycle can be 2.08 ms and the load will still see $114.4 V_{RMS}$ of a V_{SUPPLY} of $120 V_{RMS}$. If this approach is implemented the initial delay of 2.08 ms can be used as computation time. The number of instructions which can be executed when operating at $4 \mu s$ instruction cycle time is:

$$2.08 \text{ ms} / 4 \mu s = 520 \text{ instructions}$$

$$(130 \text{ instructions at } 16 \mu s \text{ cycle time})$$

Full Cycle Approach

The methods of half cycle and full cycle triggering are very similar in procedure. The main difference is that all timing is referenced from only one (of the two) zero voltage detection transition in each full AC cycle. For most all applications, when varying the conduction angle it is desirable to fire at the same conduction angle each half cycle to maintain a symmetric applied voltage. In order to accomplish this the triac may be fired twice from one reference point. When applying this technique an 8.33 ms delay must be executed to maintain the symmetric applied voltage. This approach provides the most auxiliary computation time in that the 8.33 ms delay may be turned into computational time. The basic flow for this technique is illustrated below.



TL/DD/6939-7

FIGURE 7. Full Cycle Approach

In the above example the zero crossing pulse is debounced on the one-to-zero transition, thus marking the beginning of a full cycle. Once this transition has been detected, an ini-

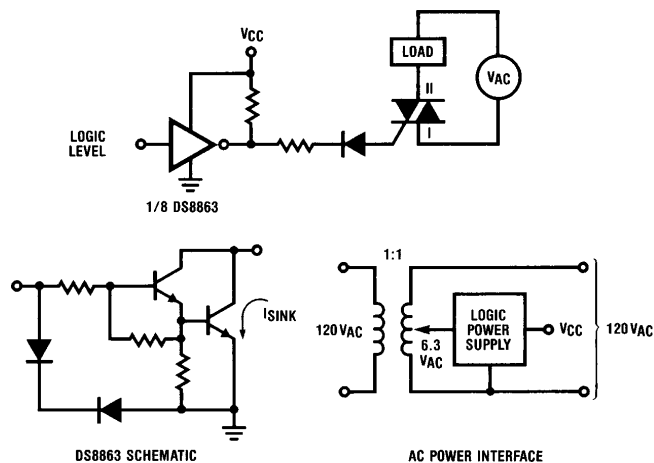


FIGURE 8. Steady State Triggering

TL/DD/6939-8

tial delay of $\pi/4$ RAD is incorporated and the triac is fired. At this time exactly 8.33 ms is available until the triac need be triggered again. This will provide a symmetric voltage to the load only if the delay is 8.33 ms. During this period the number of instructions which can be executed when operating at $4 \mu\text{s}$ is:

$$8.33 \text{ ms} / 4 \mu\text{s} = 2082$$

$$(520 \text{ instructions at } 16 \mu\text{s})$$

An alternative approach may be to take the burden from the COPS device by using peripheral devices such as static display controllers, external latches, etc.

2.3 STEADY STATE TRIGGERING

It is possible to trigger a triac with a steady state logic level. This is accomplished by allowing the triac gate to sink or source current during the desired on-time. When utilizing this method it becomes easier to trigger the triac and leave it on for many cycles without having to execute code to retrigger. This approach is advantageous when the triac must be fired is for relatively long periods and conduction angle firing is not desired, thus more time is available to accomplish auxiliary tasks. A steady state on or off signal and external circuitry can accomplish triac firing and free the processor for other tasks. If it is desired to use a pulse

transformer, an external oscillator must be gated to the triac to provide the trigger signal. A pulse train of 10 to 15 kHz is adequate to fire the triac each half cycle. This calls for external components and is relatively costly. If isolation associated problems can be tolerated or overcome (dual power supply transformers, direct AC coupling, etc.), a simple buffer may be utilized in triggering the triac. This method is illustrated in *Figure 8*. The National Semiconductor DS8863 display driver is capable of steady state firing of the triac. National offers many buffers capable of driving several hundred milliamps, which are suitable for driving triacs. On the market today there are many suppliers of sensitive gate triacs which may be triggered directly from a COPS device or in conjunction with a smaller external buffer.

The DS8863 display driver is capable of sinking up to 500 mA, which is adequate to drive a standard triac. In the off state the driver will not sink current. When a logic "1" is applied to the input the device will turn on. Keeping the device off (output "1") will prevent the triac from turning on because the buffer does not have the capability of sourcing current. A series resistor limits the current from the triac gate and the diode isolates the negative spikes from the gate. Since the drive circuit will only sink current in this configuration, the triac will be operating in the I- and III- modes.

3.0 Triac Light Intensity Control Code

The following code is not intended to be a final functional program. In order to utilize this program, modifications must be made to specialize the routines. This is intended to illustrate the method and is void of control code to command a response such as intensify or deintensify. The control is up to the user and full understanding of the program must be attained before modifications can be implemented.

This program is a general purpose light intensifying routine which may be modified to suit light dimmer applications. The delay routines require a 4.469 μ s cycle time which can be attained with a 3.578 MHz crystal (CKI/16 option). This program divides the half cycle of a 60 Hz power line into 16 levels. Intensity is varied by increasing or decreasing the conduction angle by firing the triac at various levels. The program will increase the conduction angle to a maximum specified intensity in a fixed amount of time. The time required to intensify to the maximum level is dependent on the number of fire-times per level that is specified (FINO). This code illustrates a half cycle approach and relies on the parameters specified by the programmer in the control selection.

Zero crossings of the 60 Hz line are detected and software debounced to initiate each half cycle; thus the triac is serviced on every half cycle of the power line. A level/sublevel approach is utilized to vary the conduction angle and provide a prolonged intensifying period. The maximum intensity is specified by the "LEVEL" RAM location and time required to get to that level is specified by the "FINO" RAM location.

Once a level has been specified, the remaining time in the half cycle is then divided into sublevels. The sublevels are increased in steps to the maximum level. The "FINO" RAM location contains the number of times that the triac will be fired per sublevel, thus creating the intensity time base. There are 15 valid sublevels and up to 15 fire-times per sublevel. Both these parameters may be increased to provide better resolution and longer intensify periods. To make the triac de-intensity (dim) the sublevels need only to be decremented rather than incremented. If this is done, the conduction angle will start out at the maximum level and dim by means of stepping down the sublevels. When modifying this routine to incorporate more resolution or increased versatility, care must be taken to account for transfer of control instructions to and from the delay routines.

The following is a schematic diagram of the COPS interface to 120V_{AC} lamps. The program will intensify or de-intensify the lamps under program control.

3.1 TRIAC LIGHT INTENSIFY ROUTINE

This program intensifies a light source by varying the conduction angle applied to the load. The maximum level of intensity is stored in "LEVEL," and the time to get to that level is specified by "FINO." Both these parameters may be altered to suit specific applications. To cause the program to de-intensify the light source, the sublevels must be decremented rather than incremented.

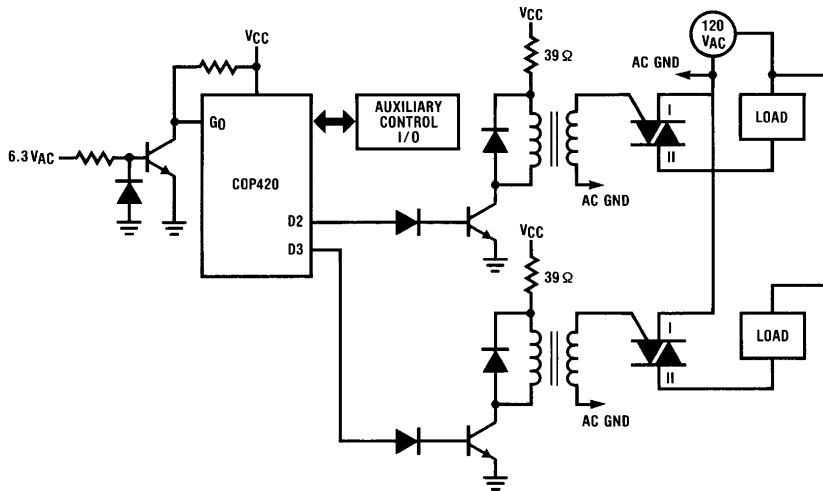


FIGURE 9. Triac Interface for COPS Program

TL/DD/6939-9


```

; SUBROUTINE PAGE
INC:   CLRA
      AISC      1
      JP      ADEX      ; GO ADD ONE TO DIGIT
DEC:   CLRA      ; 0 TO A
      COMP      ; CREATE A 15
ADEX:  ADD      ; ADD A TO RAM
      X        ; PUT BACK (D - 1 IN A NOW)
      RET
DE5:   LBI      0,10    ; DELAY ROUTINE
      CLRA      ; WILL BE REPLACED LATER
      AISC      3
      JP      .-1
      LD
      XIS
      JP      .-5
      RET      ; DONE DELAY
FIRE:  LBI      0,15    ; PULSE D OUTPUT
      OBD
      NOP
      NOP
      NOP
      LBI      0,0
      OBD
      SKBGZ     0      ; TEST WHICH DEBOUNCE IS
                        ; NEEDED
      JMP      HI      ; DEBOUNCE ONE TO ZERO
      JMP      LO      ; DEBOUNCE ZERO TO ONE
      LBI      TEMP1   ; TEMP1 IS A TEMP REG
      LD        ; VALUE IN TEMP1 DICTATES
      AISC      1      ; THE AMOUNT OF DELAY
      JP      FOY
      LBI      LEVEL   ; ALSO USED TO COPY LEVEL
      LD        1      ; RESTORE LEVEL
      X
      RET
      FOY:     X
      JP      PORT
      .END
    
```

LIFE SUPPORT POLICY

NATIONAL'S PRODUCTS ARE NOT AUTHORIZED FOR USE AS CRITICAL COMPONENTS IN LIFE SUPPORT DEVICES OR SYSTEMS WITHOUT THE EXPRESS WRITTEN APPROVAL OF THE PRESIDENT OF NATIONAL SEMICONDUCTOR CORPORATION. As used herein:

1. Life support devices or systems are devices or systems which, (a) are intended for surgical implant into the body, or (b) support or sustain life, and whose failure to perform, when properly used in accordance with instructions for use provided in the labeling, can be reasonably expected to result in a significant injury to the user.
2. A critical component is any component of a life support device or system whose failure to perform can be reasonably expected to cause the failure of the life support device or system, or to affect its safety or effectiveness.



National Semiconductor Corporation
 1111 West Bardin Road
 Arlington, TX 76017
 Tel: 1(800) 272-9959
 Fax: 1(800) 737-7018

National Semiconductor Europe
 Fax: (+49) 0-180-530 85 86
 Email: cnjwge@tevm2.nsc.com
 Deutsch Tel: (+49) 0-180-530 85 85
 English Tel: (+49) 0-180-532 78 32
 Français Tel: (+49) 0-180-532 93 58
 Italiano Tel: (+49) 0-180-534 16 80

National Semiconductor Hong Kong Ltd.
 19th Floor, Straight Block,
 Ocean Centre, 5 Canton Rd.
 Tsimshatsui, Kowloon
 Hong Kong
 Tel: (852) 2737-1600
 Fax: (852) 2736-9960

National Semiconductor Japan Ltd.
 Tel: 81-043-299-2309
 Fax: 81-043-299-2408

IMPORTANT NOTICE

Texas Instruments Incorporated and its subsidiaries (TI) reserve the right to make corrections, modifications, enhancements, improvements, and other changes to its products and services at any time and to discontinue any product or service without notice. Customers should obtain the latest relevant information before placing orders and should verify that such information is current and complete. All products are sold subject to TI's terms and conditions of sale supplied at the time of order acknowledgment.

TI warrants performance of its hardware products to the specifications applicable at the time of sale in accordance with TI's standard warranty. Testing and other quality control techniques are used to the extent TI deems necessary to support this warranty. Except where mandated by government requirements, testing of all parameters of each product is not necessarily performed.

TI assumes no liability for applications assistance or customer product design. Customers are responsible for their products and applications using TI components. To minimize the risks associated with customer products and applications, customers should provide adequate design and operating safeguards.

TI does not warrant or represent that any license, either express or implied, is granted under any TI patent right, copyright, mask work right, or other TI intellectual property right relating to any combination, machine, or process in which TI products or services are used. Information published by TI regarding third-party products or services does not constitute a license from TI to use such products or services or a warranty or endorsement thereof. Use of such information may require a license from a third party under the patents or other intellectual property of the third party, or a license from TI under the patents or other intellectual property of TI.

Reproduction of TI information in TI data books or data sheets is permissible only if reproduction is without alteration and is accompanied by all associated warranties, conditions, limitations, and notices. Reproduction of this information with alteration is an unfair and deceptive business practice. TI is not responsible or liable for such altered documentation. Information of third parties may be subject to additional restrictions.

Resale of TI products or services with statements different from or beyond the parameters stated by TI for that product or service voids all express and any implied warranties for the associated TI product or service and is an unfair and deceptive business practice. TI is not responsible or liable for any such statements.

TI products are not authorized for use in safety-critical applications (such as life support) where a failure of the TI product would reasonably be expected to cause severe personal injury or death, unless officers of the parties have executed an agreement specifically governing such use. Buyers represent that they have all necessary expertise in the safety and regulatory ramifications of their applications, and acknowledge and agree that they are solely responsible for all legal, regulatory and safety-related requirements concerning their products and any use of TI products in such safety-critical applications, notwithstanding any applications-related information or support that may be provided by TI. Further, Buyers must fully indemnify TI and its representatives against any damages arising out of the use of TI products in such safety-critical applications.

TI products are neither designed nor intended for use in military/aerospace applications or environments unless the TI products are specifically designated by TI as military-grade or "enhanced plastic." Only products designated by TI as military-grade meet military specifications. Buyers acknowledge and agree that any such use of TI products which TI has not designated as military-grade is solely at the Buyer's risk, and that they are solely responsible for compliance with all legal and regulatory requirements in connection with such use.

TI products are neither designed nor intended for use in automotive applications or environments unless the specific TI products are designated by TI as compliant with ISO/TS 16949 requirements. Buyers acknowledge and agree that, if they use any non-designated products in automotive applications, TI will not be responsible for any failure to meet such requirements.

Following are URLs where you can obtain information on other Texas Instruments products and application solutions:

Products

Audio	www.ti.com/audio
Amplifiers	amplifier.ti.com
Data Converters	dataconverter.ti.com
DLP® Products	www.dlp.com
DSP	dsp.ti.com
Clocks and Timers	www.ti.com/clocks
Interface	interface.ti.com
Logic	logic.ti.com
Power Mgmt	power.ti.com
Microcontrollers	microcontroller.ti.com
RFID	www.ti-rfid.com
OMAP Mobile Processors	www.ti.com/omap
Wireless Connectivity	www.ti.com/wirelessconnectivity

Applications

Communications and Telecom	www.ti.com/communications
Computers and Peripherals	www.ti.com/computers
Consumer Electronics	www.ti.com/consumer-apps
Energy and Lighting	www.ti.com/energy
Industrial	www.ti.com/industrial
Medical	www.ti.com/medical
Security	www.ti.com/security
Space, Avionics and Defense	www.ti.com/space-avionics-defense
Transportation and Automotive	www.ti.com/automotive
Video and Imaging	www.ti.com/video

TI E2E Community Home Page

e2e.ti.com

Mailing Address: Texas Instruments, Post Office Box 655303, Dallas, Texas 75265
Copyright © 2011, Texas Instruments Incorporated