

Nano-Power Transimpedance Amplifier (TIA)

Chuck Sins

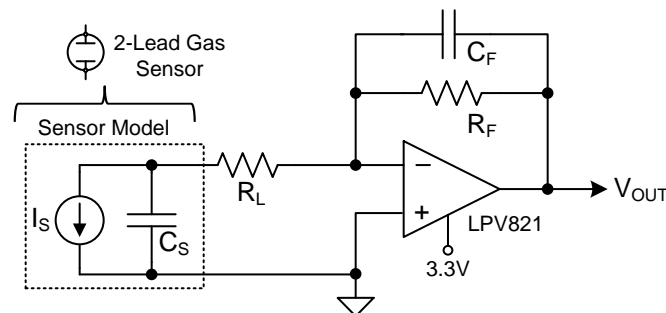
Nano-Power Transimpedance Amplifier (TIA)

Design Goals

OVER CURRENT LEVELS		Signal Path Requirement	SUPPLY	
I_S (min)	I_S (max)	CL Bandwidth	V+	V–
50 nA	25 μ A	> 1Hz	3.3V	0V

Design Description

The basic transimpedance circuit for amplifying and filtering the output current of a sensor is shown below. The transimpedance amplifier configuration converts the current of the sensor (I_S) to a voltage with a gain set by the feedback resistor R_F . The combination of R_F and C_F controls the closed loop bandwidth of the circuit by limiting the transimpedance gain at elevated frequencies, while the combination of current source I_S and capacitor C_S represents a simplified model for the sensor to be monitored. Typical sensor model values for C_S are in the mF range. R_L is a manufacturer recommended load resistance for the sensor and the value ranges from 10 to 100 Ω . In addition to filtering noise, a minimum value for C_F is required for circuit stability.



An electrochemical gas sensor is a good example of a sensor that requires a transimpedance amplifier. The sensor transduces gas concentration levels (for example carbon monoxide (CO)) into current. The output current ranges from the 10's of nA's to 10's of μ A's. Because electrochemical gas sensors are noisy, a low-pass filtering function is necessary to limit the noise bandwidth of the system before driving the input to a comparator and/or an analog-to-digital converter (ADC). Gas sensors typically have response times in the seconds range. So setting the circuit bandwidth to greater than 1Hz is appropriate.

Due to gas sensors' slow response to changes in gas concentration, a high bandwidth signal path is not required. Therefore, a precision, nano-power, low-bandwidth operational amplifier such as the **LPV821** is selected. Another key aspect for this application is low input offset voltage on the operational amplifier to reduce dead-band in the amplifier output. Dead-band equates to the time when the sensor output is not recognized at the amplifier output. Voltage offset is bipolar in nature, with some devices having positive offset while others have negative. In the case of negative offset, changes in sensor output current can not be reliably seen until the negative offset voltage is overcome. Likewise, low offset voltage limits voltage shifts due to the internal resistance of the gas sensor. Lastly, low input bias current is important to minimize sensor measurement errors when measuring low gas concentration levels. The LPV821 is a zero-drift amplifier with 650 nA of quiescent current, μ V's of input offset, nV's of offset drift over temperature, and pA's of input bias current.

Design Notes

1. Select gain resistor R_F such that the amplifier output remains within the linear range as specified by the amplifier open-gain (AOL) specification. For the LPV821, V_{OUT} must be limited to $V_{OUT} \leq (V+) - 0.1$ V.
2. Calculate the minimum C_F value where stability of the transimpedance amplifier circuit is ensured.
3. Select C_F such that the amplifier closed loop bandwidth is greater than 1Hz. For gas sensors, the response time of the sensor is typically 10 seconds, so choosing a bandwidth 10x faster will accommodate the sensor speed appropriately while still limiting sensor noise.

Design Steps

1. Select gain resistor R_F such that the max sensor current output of 25 μ A does not cause the amplifier output (V_{OUT}) to exceed 3.2 V ($(V+) - 0.1$)

$$R_F < \frac{V_{OUT}(\max)}{I_S(\max)}$$

$$R_F < \frac{3.3 - 0.1}{25\mu} = 128 \text{ k}\Omega$$

$$\text{select } R_F = 127 \text{ k}\Omega$$

(closest real world value)

(1)

2. Calculate the minimum C_F for circuit stability using $R_F = 127 \text{ k}\Omega$, $C_S = 1 \text{ mF}$, and LPV821 GBW = 8 kHz.

$$C_F > \frac{1}{4\pi R_F \text{GBW}} \times (1 + \sqrt{8\pi R_F C_S \text{GBW}})$$

$$C_F > \frac{1}{4\pi(127\text{k})(8\text{k})} \times (1 + \sqrt{8\pi(127\text{k})(1\text{m})(8\text{k})})$$

$$C_F > 400 \text{ nF}$$

$$\text{select } C_F = 1 \mu\text{F}$$

(guarantee circuit stability)

(2)

3. Test low-pass frequency pole value (f_p) using $R_F = 127 \text{ k}$ and $C_F = 1 \mu\text{F}$ to make sure it is greater than 1 Hz. If f_p is lower than 1 Hz, reduce the value of C_F to the minimum allowable C_F value from Equation 2. However, if the minimum C_F value does not meet the target circuit bandwidth, the gain setting R_F value will need to be reduced or an amplifier with higher GBW will need to be selected.

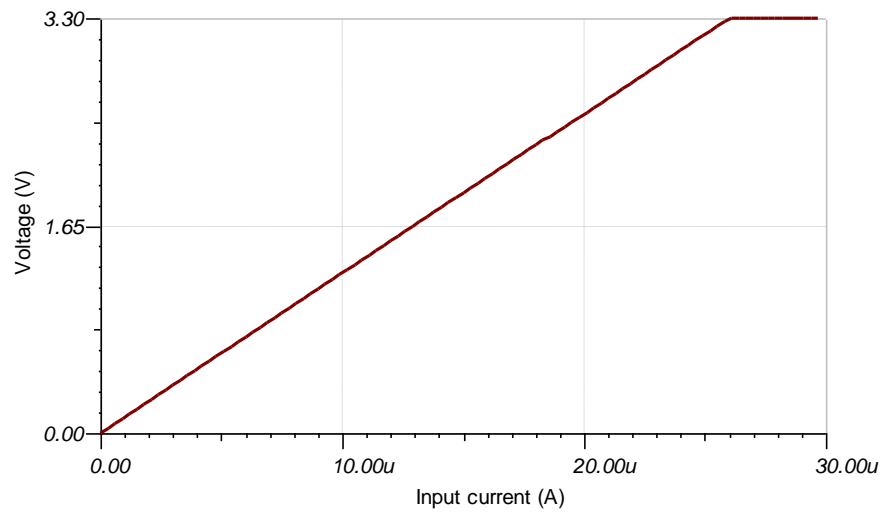
$$f_p = \frac{1}{2\pi R_F C_F}$$

$$f_p = \frac{1}{2\pi(127\text{k})(1\mu)} = 1.25 \text{ Hz}$$

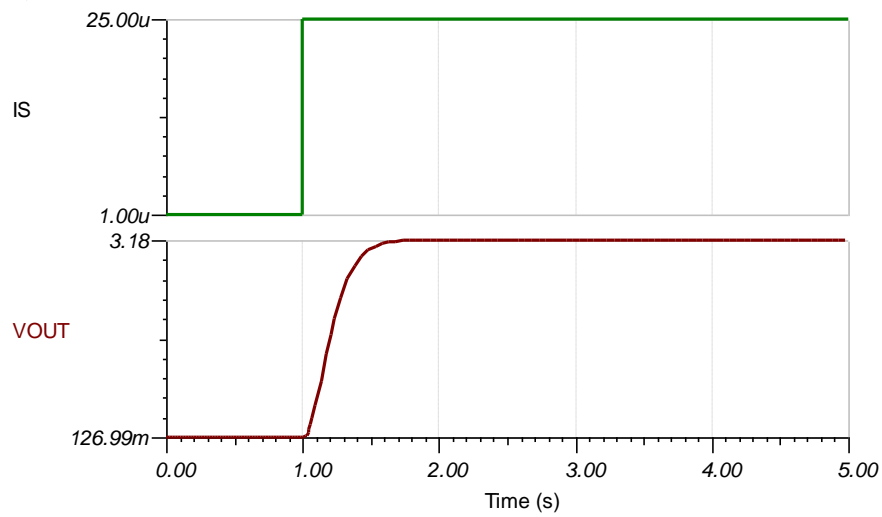
(3)

Design Simulations

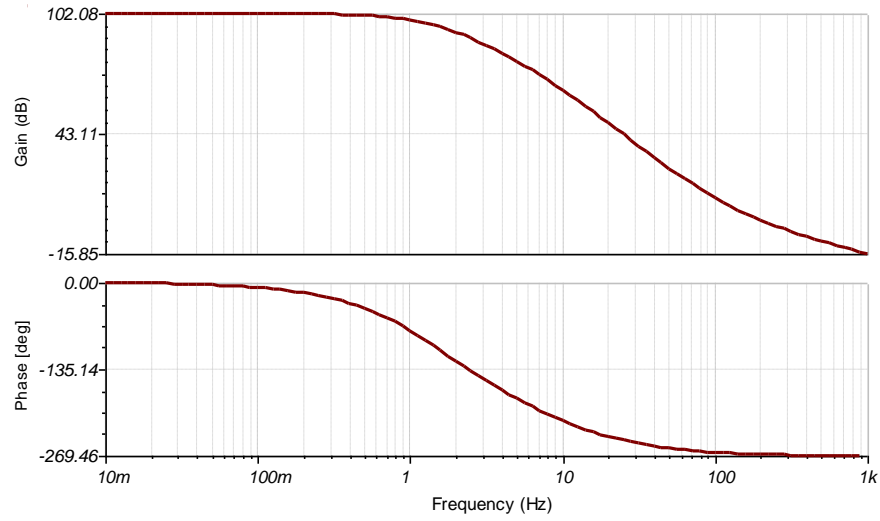
DC Simulation Results



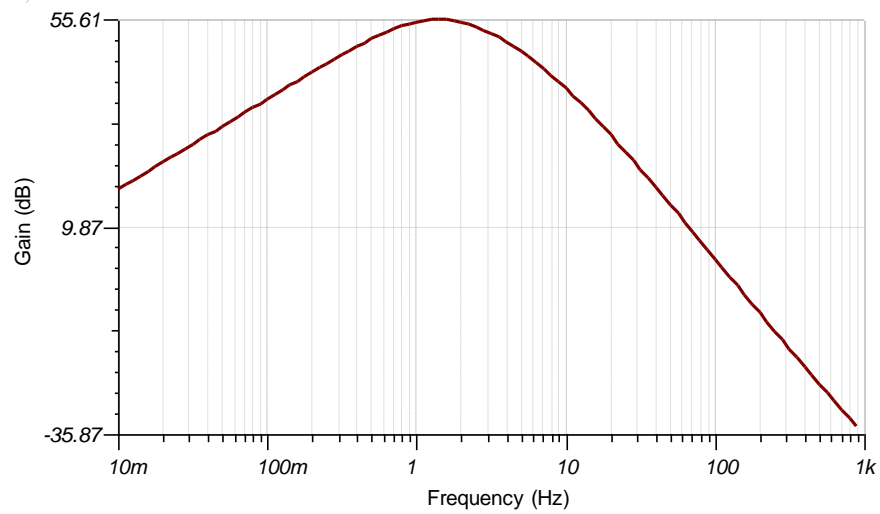
Transient Step Response Simulation Results



AC Simulation Results



Noise Simulation Results



TI Design, Tech Note, and Blog References

See [Always-on Low-power Gas Sensing with 10+ Year Coin Cell Battery Life Reference Design TIDA-00756](#).

See [Micropower Electrochemical Gas Sensor Amplifier Reference Design TIDA-00854](#).

See [Extend Battery Life and Simplify Calibration in Gas Sensing Applications SBAA240A](#).

See [Advantages of Using Nanopower Zero Drift Amp for Mobile Phone Battery Monitoring SNOA977](#).

See [GPIO Pins Power Signal Chain in Personal Electronics Running on Li-Ion Batteries SNOA983](#).

See [Current Sensing Using NanoPower Op Amps Blog](#).

Design Featured Op Amp

LPV821	
V_s	1.7 V to 3.6 V
Input V_{CM}	Rail-to-rail
V_{out}	Rail-to-rail
V_{os}	1.5 μ V
V_{os} Drift	20 nV/ $^{\circ}$ C
I_q	650 nA/Ch
I_b	7 pA
UGBW	8 kHz
#Channels	1
LPV821	

Design Alternate Op Amp

LPV811	
V_s	1.6 V to 5.5 V
Input V_{CM}	(V-) only
V_{out}	Rail-to-rail
V_{os}	60 μ V
V_{os} Drift	1 μ V/ $^{\circ}$ C
I_q	450 nA/Ch
I_b	100 fA
UGBW	8 kHz
#Channels	1, 2
LPV811	

IMPORTANT NOTICE FOR TI DESIGN INFORMATION AND RESOURCES

Texas Instruments Incorporated ("TI") technical, application or other design advice, services or information, including, but not limited to, reference designs and materials relating to evaluation modules, (collectively, "TI Resources") are intended to assist designers who are developing applications that incorporate TI products; by downloading, accessing or using any particular TI Resource in any way, you (individually or, if you are acting on behalf of a company, your company) agree to use it solely for this purpose and subject to the terms of this Notice.

TI's provision of TI Resources does not expand or otherwise alter TI's applicable published warranties or warranty disclaimers for TI products, and no additional obligations or liabilities arise from TI providing such TI Resources. TI reserves the right to make corrections, enhancements, improvements and other changes to its TI Resources.

You understand and agree that you remain responsible for using your independent analysis, evaluation and judgment in designing your applications and that you have full and exclusive responsibility to assure the safety of your applications and compliance of your applications (and of all TI products used in or for your applications) with all applicable regulations, laws and other applicable requirements. You represent that, with respect to your applications, you have all the necessary expertise to create and implement safeguards that (1) anticipate dangerous consequences of failures, (2) monitor failures and their consequences, and (3) lessen the likelihood of failures that might cause harm and take appropriate actions. You agree that prior to using or distributing any applications that include TI products, you will thoroughly test such applications and the functionality of such TI products as used in such applications. TI has not conducted any testing other than that specifically described in the published documentation for a particular TI Resource.

You are authorized to use, copy and modify any individual TI Resource only in connection with the development of applications that include the TI product(s) identified in such TI Resource. NO OTHER LICENSE, EXPRESS OR IMPLIED, BY ESTOPPEL OR OTHERWISE TO ANY OTHER TI INTELLECTUAL PROPERTY RIGHT, AND NO LICENSE TO ANY TECHNOLOGY OR INTELLECTUAL PROPERTY RIGHT OF TI OR ANY THIRD PARTY IS GRANTED HEREIN, including but not limited to any patent right, copyright, mask work right, or other intellectual property right relating to any combination, machine, or process in which TI products or services are used. Information regarding or referencing third-party products or services does not constitute a license to use such products or services, or a warranty or endorsement thereof. Use of TI Resources may require a license from a third party under the patents or other intellectual property of the third party, or a license from TI under the patents or other intellectual property of TI.

TI RESOURCES ARE PROVIDED "AS IS" AND WITH ALL FAULTS. TI DISCLAIMS ALL OTHER WARRANTIES OR REPRESENTATIONS, EXPRESS OR IMPLIED, REGARDING TI RESOURCES OR USE THEREOF, INCLUDING BUT NOT LIMITED TO ACCURACY OR COMPLETENESS, TITLE, ANY EPIDEMIC FAILURE WARRANTY AND ANY IMPLIED WARRANTIES OF MERCHANTABILITY, FITNESS FOR A PARTICULAR PURPOSE, AND NON-INFRINGEMENT OF ANY THIRD PARTY INTELLECTUAL PROPERTY RIGHTS.

TI SHALL NOT BE LIABLE FOR AND SHALL NOT DEFEND OR INDEMNIFY YOU AGAINST ANY CLAIM, INCLUDING BUT NOT LIMITED TO ANY INFRINGEMENT CLAIM THAT RELATES TO OR IS BASED ON ANY COMBINATION OF PRODUCTS EVEN IF DESCRIBED IN TI RESOURCES OR OTHERWISE. IN NO EVENT SHALL TI BE LIABLE FOR ANY ACTUAL, DIRECT, SPECIAL, COLLATERAL, INDIRECT, PUNITIVE, INCIDENTAL, CONSEQUENTIAL OR EXEMPLARY DAMAGES IN CONNECTION WITH OR ARISING OUT OF TI RESOURCES OR USE THEREOF, AND REGARDLESS OF WHETHER TI HAS BEEN ADVISED OF THE POSSIBILITY OF SUCH DAMAGES.

You agree to fully indemnify TI and its representatives against any damages, costs, losses, and/or liabilities arising out of your non-compliance with the terms and provisions of this Notice.

This Notice applies to TI Resources. Additional terms apply to the use and purchase of certain types of materials, TI products and services. These include; without limitation, TI's standard terms for semiconductor products (<http://www.ti.com/sc/docs/stdterms.htm>), [evaluation modules](#), and [samples](http://www.ti.com/sc/docs/sampterm.htm) (<http://www.ti.com/sc/docs/sampterm.htm>).

Mailing Address: Texas Instruments, Post Office Box 655303, Dallas, Texas 75265
Copyright © 2018, Texas Instruments Incorporated