

AN-1677 LM1771 and LM3880 Based FPGA Power Supply Reference Design

ABSTRACT

This application note discusses the Virtex-5 FPGA power supply prerequisites in terms of the multiple voltage rail and current level requirements, output sequencing, and startup characteristics.

Contents

| | | |
|---|--|----|
| 1 | Introduction | 2 |
| 2 | FPGA Power Supply Requirements | 2 |
| 3 | FPGA Power Supply Design Outline | 3 |
| 4 | FPGA Power Supply Implementation | 4 |
| 5 | Virtex-5 LM1771 Based Power Supply Bill of Materials | 7 |
| 6 | FPGA Power Supply performance | 7 |
| 7 | References | 10 |

List of Figures

| | | |
|---|---|---|
| 1 | LM1771 DC-DC Buck Stage with COT Control Architecture..... | 3 |
| 2 | LM3880 Sequencer Block Diagram | 4 |
| 3 | Virtex-5 FPGA Power Train Schematic | 6 |
| 4 | Core Channel Efficiency vs. Current, I_{CCINT} ; $V_{IN} = 5.0V$ | 8 |
| 5 | Auxiliary Channel Efficiency vs. Current, I_{CCAUX} ; $V_{IN} = 5.0V$ | 8 |
| 6 | I/O Channel Efficiency vs. Current, I_{CCO} ; $V_{IN} = 5.0V$ | 8 |
| 7 | Sequenced Monotonic Startup / Shutdown Characteristic; $V_{IN} = 5.0V$ | 9 |

1 Introduction

The Xilinx Virtex™-5 FPGA is a family of advanced FPGAs that combine various platforms and speed grades enabling a high level of performance and flexibility^[1-3]. Exemplarily, a power supply solution based on *AN-1477 Application Note 1477 LM1771 Evaluation Board* ([SNVA163](#)) power supply controller and LM3880 sequencer is designed that combines high performance, power density and efficiency.

2 FPGA Power Supply Requirements

Nanoscale process technology used in the Virtex-5 FPGA enables the dynamic power dissipation (CV^2f) to be reduced by means of lower parasitic capacitances and lower core voltage rail^[6], V_{CCINT} . Static power dissipation modes, via sub-threshold and gate leakage^[5,6], have been minimized by adding a third gate oxide thickness to the process. Fortunately, this is a net benefit in terms of the current levels demanded from the power supply solution.

The Virtex-5 generally requires at least three different voltage rails. The recommended core voltage is $1.0V \pm 5\%$. The I/O bank voltage supply, V_{CCO} , can vary from 1.14V to 3.45V depending on the I/O standard being implemented^[2]. Thus, V_{CCO} voltage rails of 1.2V, 1.5V, 1.8V, 2.5V and 3.3V are feasible. Consequently, the overall power dissipation is application dependent and conditioned by ratios of static and dynamic power loss components. Additionally, Xilinx defines an auxiliary voltage, V_{CCAUX} , which is recommended to operate at $2.5V \pm 5\%$ to supply FPGA clock rails related to the clock management tile blocks, e.g. the digital clock manager (DCM) resources^[2].

The power-on sequence recommended by Xilinx is V_{CCINT} , V_{CCAUX} , and V_{CCO} . Although any monotonic power-on sequence is tolerated, use of the recommended sequence allows Xilinx to define the minimum inrush current required from the FPGA core, auxiliary and I/O supplies - denoted $I_{CCINTMIN}$, I_{AUXMIN} , and I_{CCOMIN} , respectively - to ensure correct power-on and configuration. It is possible that the power supplies must transiently handle larger currents during startup with relatively lower static and dynamic current levels during normal operation. The power-up ramp time specification - normally defined as the time from 10% to 90% of the nominal output voltage during startup - for all three voltage rails is 0.2 ms to 50.0 ms.

Note that the steady-state power supply demand can be derived pre-implementation by use of the Xilinx XPower Estimator (XPE) power estimation spreadsheet tool^[4]. The junction temperature, frequency, device utilization and I/O types are included as parameters in this calculation so that designers can predict the power consumed by their system and design the power supply accordingly.

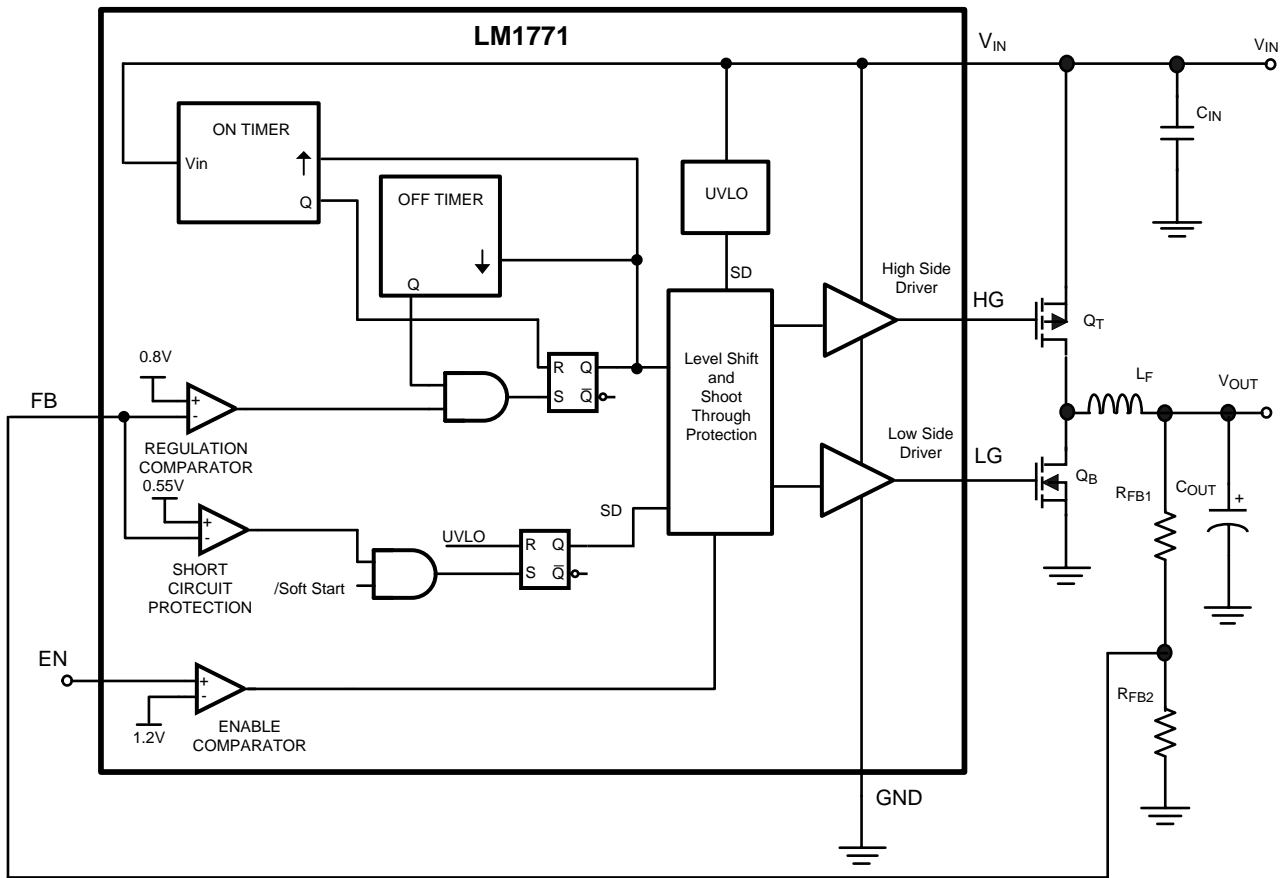


Figure 1. LM1771 DC-DC Buck Stage with COT Control Architecture

3 FPGA Power Supply Design Outline

The proposed FPGA power supply solution uses three LM1771^[9] PWM buck controllers with power-up and power-down of the individual voltage rails sequenced by a LM3880^[10] power sequencer.

The LM1771 block diagram with typical external connected components is presented in Figure 1. The LM1771 is an efficient buck converter switching controller available in MSOP-8 and LLP-6 packages and capable of converting an input voltage between 2.8V and 5.5V into a regulated output voltage as low as 0.8V. It drives an external high side PFET and low side NFET complementary with duty cycle D and $(1-D)$ respectively at switching frequency, f_s . A constant on-time (COT) control architecture is utilized which eliminates the need for an error amplifier and external compensation components. Thus, extremely fast transient load current response is possible. Additionally, the LM1771 features a precision enable pin to facilitate supply sequencing and/or flexibility in setting the operating input voltage range of the power supply.

Three LM1771 timing options - designated S, T and U in the part numbering specification - are available which translate to three possible switching frequency options for a given output voltage. For a given timing option, the switching frequency is largely independent of input voltage level as the controller input feed-forward feature varies high side switch on-time as a function of input voltage to maintain constant volt-seconds at the switch node.

By virtue of the small-sized package options, the LM1771 allows for a complete power supply design to occupy very little PCB real estate without sacrificing efficiency.

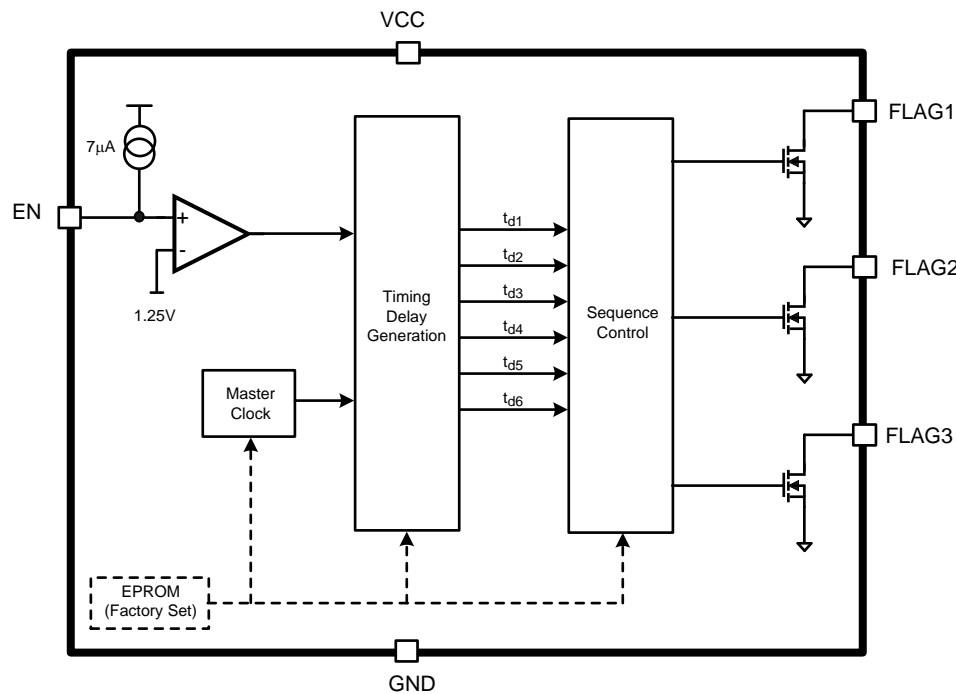


Figure 2. LM3880 Sequencer Block Diagram

The LM3880 sequencer block diagram is presented in [Figure 2](#). It is available in a SOT23-6 package and it has three open-drain flag outputs which allow control of the three LM1771 enable pins. Upon enabling the LM3880, the three output flags will sequentially release, after individual time delays, permitting the connected power supplies to startup. The output flags will follow a reverse sequence during power down to avoid latch conditions. Standard timing options of 10 ms, 30 ms, 60 ms and 120 ms are available. Further, the LM3880 is factory programmable to attain customized timing options combined with six possible power down sequences. The LM3880 operating supply voltage range, 2.7V to 5.5V, is compatible with that of the LM1771 controller.

4 FPGA Power Supply Implementation

The power train schematic based on the LM1771 controller and LM3880 sequencer is shown in [Figure 3](#). The associated bill of materials is presented in [Section 5](#).

The LM1771 based application board was designed with the input voltage nominally set at 5.0V, but can theoretically be varied over the entire operating range of the LM1771 (2.8V-5.5V). The entire power supply occupies less than 2.0" x 2.0" on a two layer FR4 PCB. For this design, the three buck regulator channels are capable of delivering maximum continuous load currents of 5A, 3A and 3A (I_{CCO} , I_{CCAUX} , and I_{CCINT} , respectively).

The I/O voltage is set at 3.3V, but can be easily varied by modifying one of the feedback resistors, RFB13 or RFB23. In the case of a buck converter to maintain regulation at 3.3V, the input voltage should not be allowed to fall below approximately 3.6V. The core and auxiliary rails are set at 1.0V and 2.5V, respectively, according to the FPGA specification.

The core, auxiliary and I/O regulators use the LM1771S (U1), LM1771T (U2) and LM1771U (U3) controllers which yield switching frequencies of 606 kHz, 758 kHz and 500 kHz, respectively. Each supply has its own input filter capacitor located as close as possible to the p-channel and n-channel buck and synchronous power FETs. Additionally, a small 0603 input bypass capacitor is placed local to each LM1771 IC.

The output filter capacitances on the core and I/O supplies are tantalum based and chosen to present the necessary ESR to maintain sufficient in-phase voltage ripple at the FB pin^[9, 11, 12]. In the case of the I/O channel, feed-forward capacitor C_{F3} increases the magnitude of the FB ripple seen by its LM1771. This capacitor is not used in the core channel feedback circuit as it has minimal effect when the output voltage is close to the FB pin voltage. The output filter capacitance of the auxiliary voltage regulator is ceramic based to minimize the noise level of this rail. A current sense network comprising resistor R_{F1} and capacitor C_{F1} across filter inductor L_{F2} creates a triangular voltage waveform which is ac coupled by capacitor C_{F2} to the FB node^[9]. A comprehensive discussion of the selection process for these components is available in *AN-1481 Controlling Output Ripple and Achieving ESR Independence in Constant On-Time (COT) Regulator Designs* ([SNVA166](#)).

This circuit can also be utilized in the core and I/O channels if tantalum capacitors are deemed unsuitable and/or low ESR ceramic capacitors are required either local to the regulator or downstream adjacent to the FPGA.

The filter inductors are designed for large current handling capability with low DC and AC effective resistance to maximize efficiency. The inductance value is conditioned to attain peak-to-peak ripple current of approximately 30% of the rated load current^[13]. Further, the inductors chosen boast a relatively soft inductance-current saturation characteristic. This represents an ideal component characteristic when faced with short duration high current transient events in excess of the rated load current.

TSOP6 packages are used for the power FETs in the auxiliary rail supply while SO-8 FETs are implemented for the I/O channel regulator. The core voltage supply, given its low duty cycle operating point, has a high side TSOP6 FET, Q_{T1} , and a low side SO-8 FET, Q_{B1} . Note that by employing more thermally efficient packages and/or lower on-resistance switches, the possibility exists to increase maximum load current capability and thermal performance.

The LM3880 sequencer 30 ms timing option, designated -1AB, is recommended. External pull-up resistors are connected to each open-drain flag output.

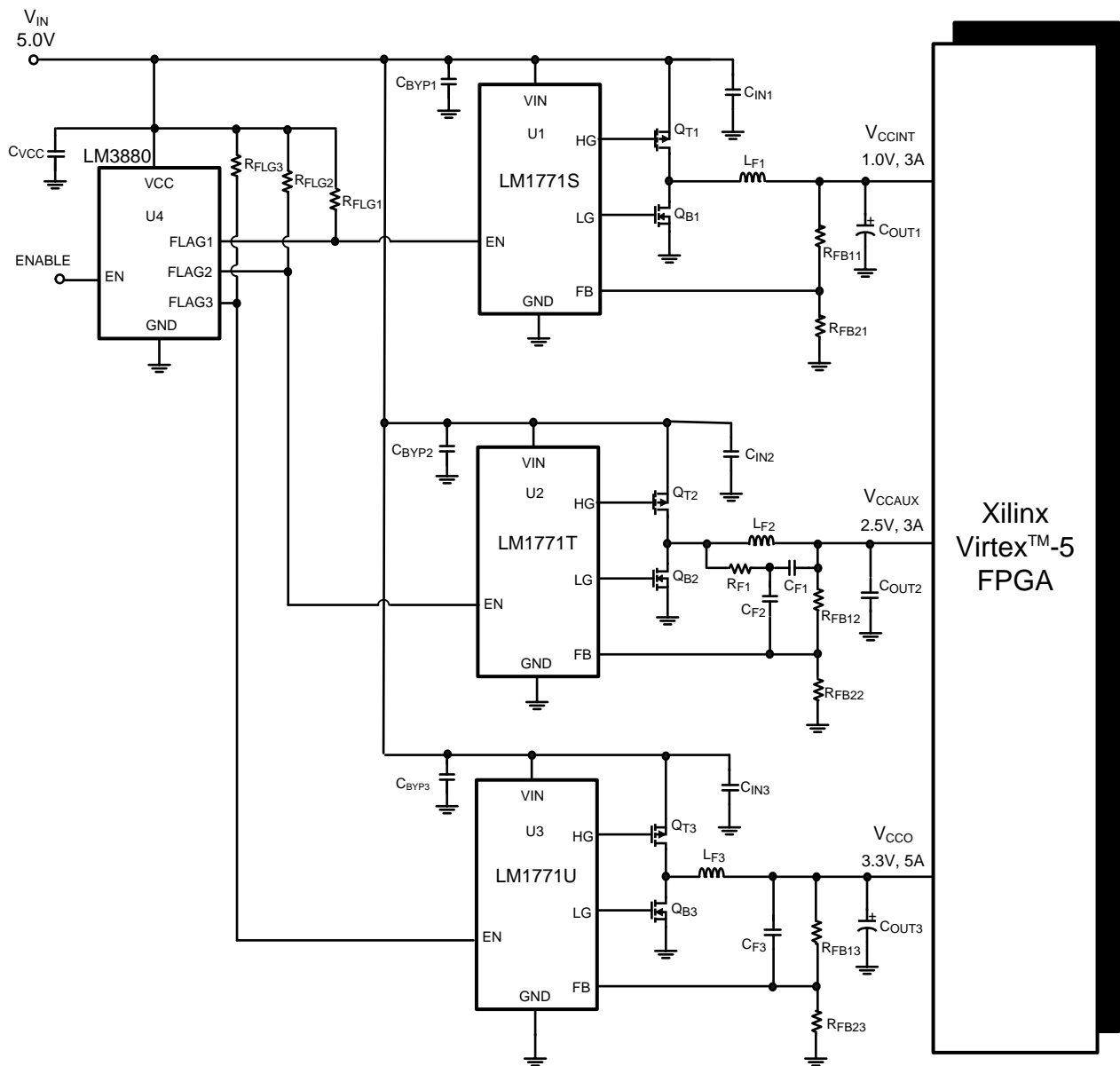


Figure 3. Virtex-5 FPGA Power Train Schematic

5 Virtex-5 LM1771 Based Power Supply Bill of Materials

| Ref. Des. | Description | Part Number | Manufacturer |
|-------------------|---|--------------------|-------------------|
| U1 | LM1771S, 500 ns, PWM Controller | LM1771SMMX | Texas Instruments |
| U2 | LM1771T, 1000 ns, PWM Controller | LM1771TMMX | Texas Instruments |
| U3 | LM1771U, 2000 ns, PWM Controller | LM1771UMMX | Texas Instruments |
| U4 | LM3880 Power Sequencer | LM3880MFX-1AB | Texas Instruments |
| Q _{T1} | High Side PFET, TSOP6 | Si3867DV | Vishay Siliconix |
| Q _{B1} | Low Side NFET, SO-8 | Si4394BDY | Vishay Siliconix |
| Q _{T2} | High Side PFET, TSOP6 | Si3867DV | Vishay Siliconix |
| Q _{B2} | Low Side NFET, TSOP6 | Si3460DV | Vishay Siliconix |
| Q _{T3} | High Side PFET, SO-8 | Si9424BDY | Vishay Siliconix |
| Q _{B3} | Low Side NFET, SO-8 | Si4394BDY | Vishay Siliconix |
| C _{IN1} | 22 μ F 6.3V X5R Ceramic Capacitor, 0805 | C2012X5R0J226M | TDK |
| C _{IN2} | 22 μ F 6.3V X5R Ceramic Capacitor, 0805 | C2012X5R0J226M | TDK |
| C _{IN3} | 47 μ F 6.3V X5R Ceramic Capacitor, 1206 | C3216X5R0J476M | TDK |
| C _{BYP1} | 1 μ F 10V X5R Ceramic Capacitor, 0603 | C1608X5R1A105M | TDK |
| C _{BYP2} | 1 μ F 10V X5R Ceramic Capacitor, 0603 | C1608X5R1A105M | TDK |
| C _{BYP3} | 1 μ F 10V X5R Ceramic Capacitor, 0603 | C1608X5R1A105M | TDK |
| C _{OUT1} | 150 μ F 6.3V Tantalum Capacitor, 50 m Ω , D-Case | TPSD157M006R0050 | AVX |
| C _{OUT2} | 100 μ F 6.3V X5R Ceramic Capacitor, 1210 | C3225X5R0J107M | TDK |
| C _{OUT3} | 150 μ F 6.3V Tantalum Capacitor, 50 m Ω , D-Case | TPSD157M006R0050 | AVX |
| L _{F1} | 2.2 μ H Inductor, 6.86mm x 6.47mm x 3.0mm | IHLP2525CZER2R2M01 | Vishay Dale |
| L _{F2} | 2.2 μ H Inductor, 6.86mm x 6.47mm x 3.0mm | IHLP2525CZER2R2M01 | Vishay Dale |
| L _{F3} | 2.2 μ H Inductor, 11.5mm x 10.3mm x 4.0mm | IHLP4040DZER2R0M11 | Vishay Dale |
| R _{FB11} | 2.32 k Ω Resistor, 0603 | CRCW06032321F | Vishay |
| R _{FB21} | 10 k Ω Resistor, 0603 | CRCW06031002F | Vishay |
| R _{FB12} | 21 k Ω Resistor, 0603 | CRCW06032102F | Vishay |
| R _{FB22} | 10 k Ω Resistor, 0603 | CRCW06031002F | Vishay |
| R _{FB13} | 30.9k Ω Resistor, 0603 | CRCW06033092F | Vishay |
| R _{FB23} | 10 k Ω Resistor, 0603 | CRCW06031002F | Vishay |
| C _{F1} | 1 nF Capacitor, X7R, 0603 | VJ0603102KXXA | Vishay |
| C _{F2} | 22 nF Capacitor, X7R, 0603 | VJ0603223KXXA | Vishay |
| C _{F3} | 1 nF Capacitor, X7R, 0603 | VJ0603102KXXA | Vishay |
| C _{VCC} | 1 μ F 10V Ceramic Capacitor, 0603 | C1608X5R1A105M | TDK |
| R _{F1} | 49.9 k Ω Resistor, 0603 | CRCW06034992F | Vishay |
| R _{FLG1} | 49.9 k Ω Resistor, 0603 | CRCW06034992F | Vishay |
| R _{FLG2} | 49.9 k Ω Resistor, 0603 | CRCW06034992F | Vishay |
| R _{FLG3} | 49.9 k Ω Resistor, 0603 | CRCW06034992F | Vishay |

6 FPGA Power Supply performance

The efficiency of the core, auxiliary and I/O buck regulator channels, operating independently at 5V input, as a function of current are shown in [Figure 4](#), [Figure 5](#), and [Figure 6](#), respectively. Likewise, typical full load efficiencies are 80.6%, 89.1% and 93.2%. Global conversion efficiency with the three regulators operating at full load, including LM3880 related bias power, is 90.5%. This constitutes a total output power of 27W with 2.85W dissipation. When the LM3880 is disabled (EN pin less than 1.25V), the total quiescent current is approximately 1.5mA. Finally, [Figure 7\(a\)](#) and (b) demonstrate the sequenced monotonic power up and power down characteristics of each voltage rail as controlled by the LM3880. The time delays between enable transitioning and subsequent output voltages in regulation - defined as 90% V_{ENABLE} to 90% V_{CCINT} , or 90% V_{CCINT} to 90% V_{CCAUX} , etc. - are 30 ms.

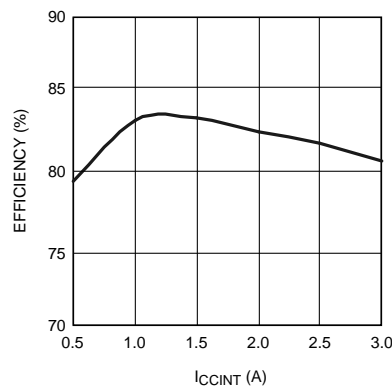


Figure 4. Core Channel Efficiency vs. Current, I_{CCINT} ; $V_{IN} = 5.0V$

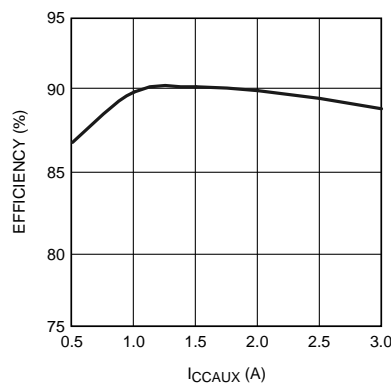


Figure 5. Auxiliary Channel Efficiency vs. Current, I_{CCAUX} ; $V_{IN} = 5.0V$

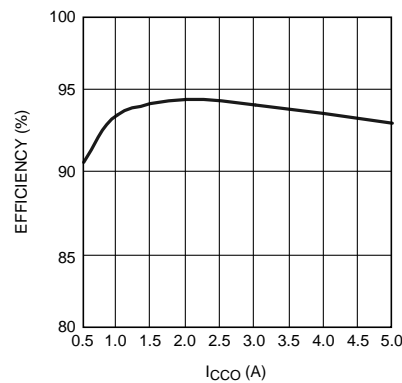
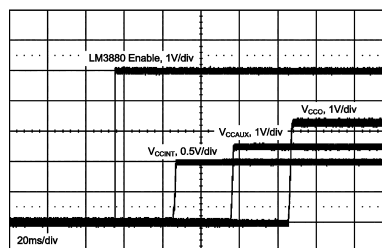
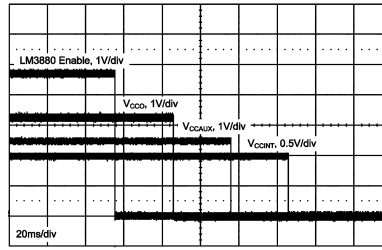


Figure 6. I/O Channel Efficiency vs. Current, I_{CCO} ; $V_{IN} = 5.0V$



(a)



(b)

Figure 7. Sequenced Monotonic Startup / Shutdown Characteristic; $V_{IN} = 5.0V$

7 References

- [1] Xilinx Virtex-5 Family Overview, Advance Product Specification, DS100 (v3.0) February 2, 2007
- [2] Xilinx Virtex-5 Datasheet: DC and Switching Characteristics, Advance Product Specification, DS202 (v3.0) February 2, 2007
- [3] Xilinx Virtex-5 User Guide, Advance Product Specification, UG190 (v3.0) February 2, 2007
- [4] Xilinx Virtex-5 XPower Estimator (XPE) 9.1, Spreadsheet Power Estimation Tool,
- [5] Xilinx Application Note XAPP158, Powering Virtex FPGAs,
- [6] Xilinx White Paper WP246 (v1.2) "Power Consumption in 65nm FPGAs", February 1, 2007
- [7] Power Recommendations for Xilinx FPGAs,
- [8] Design Guide for FPGAs,
- [9] *LM1771 Low-Voltage Synchronous Buck Controller with Precision Enable and No External Compensation Data Sheet* ([SNVS446](#))
- [10] *LM3880/LM3880Q Power Sequencer Data Sheet* ([SNVS451](#))
- [11] *AN-1414 Application Note 1414 LM1770 Design Reference* ([SNVA133](#))
- [12] *AN-1477 Application Note 1477 LM1771 Evaluation Board* ([SNVA163](#))
- [13] *AN-1197 Selecting Inductors for Buck Converters* ([SNVA038](#))
- [14] *AN-1481 Controlling Output Ripple and Achieving ESR Independence in Constant On-Time (COT) Regulator Designs* ([SNVA166](#))

IMPORTANT NOTICE

Texas Instruments Incorporated and its subsidiaries (TI) reserve the right to make corrections, enhancements, improvements and other changes to its semiconductor products and services per JESD46, latest issue, and to discontinue any product or service per JESD48, latest issue. Buyers should obtain the latest relevant information before placing orders and should verify that such information is current and complete. All semiconductor products (also referred to herein as "components") are sold subject to TI's terms and conditions of sale supplied at the time of order acknowledgment.

TI warrants performance of its components to the specifications applicable at the time of sale, in accordance with the warranty in TI's terms and conditions of sale of semiconductor products. Testing and other quality control techniques are used to the extent TI deems necessary to support this warranty. Except where mandated by applicable law, testing of all parameters of each component is not necessarily performed.

TI assumes no liability for applications assistance or the design of Buyers' products. Buyers are responsible for their products and applications using TI components. To minimize the risks associated with Buyers' products and applications, Buyers should provide adequate design and operating safeguards.

TI does not warrant or represent that any license, either express or implied, is granted under any patent right, copyright, mask work right, or other intellectual property right relating to any combination, machine, or process in which TI components or services are used. Information published by TI regarding third-party products or services does not constitute a license to use such products or services or a warranty or endorsement thereof. Use of such information may require a license from a third party under the patents or other intellectual property of the third party, or a license from TI under the patents or other intellectual property of TI.

Reproduction of significant portions of TI information in TI data books or data sheets is permissible only if reproduction is without alteration and is accompanied by all associated warranties, conditions, limitations, and notices. TI is not responsible or liable for such altered documentation. Information of third parties may be subject to additional restrictions.

Resale of TI components or services with statements different from or beyond the parameters stated by TI for that component or service voids all express and any implied warranties for the associated TI component or service and is an unfair and deceptive business practice. TI is not responsible or liable for any such statements.

Buyer acknowledges and agrees that it is solely responsible for compliance with all legal, regulatory and safety-related requirements concerning its products, and any use of TI components in its applications, notwithstanding any applications-related information or support that may be provided by TI. Buyer represents and agrees that it has all the necessary expertise to create and implement safeguards which anticipate dangerous consequences of failures, monitor failures and their consequences, lessen the likelihood of failures that might cause harm and take appropriate remedial actions. Buyer will fully indemnify TI and its representatives against any damages arising out of the use of any TI components in safety-critical applications.

In some cases, TI components may be promoted specifically to facilitate safety-related applications. With such components, TI's goal is to help enable customers to design and create their own end-product solutions that meet applicable functional safety standards and requirements. Nonetheless, such components are subject to these terms.

No TI components are authorized for use in FDA Class III (or similar life-critical medical equipment) unless authorized officers of the parties have executed a special agreement specifically governing such use.

Only those TI components which TI has specifically designated as military grade or "enhanced plastic" are designed and intended for use in military/aerospace applications or environments. Buyer acknowledges and agrees that any military or aerospace use of TI components which have **not** been so designated is solely at the Buyer's risk, and that Buyer is solely responsible for compliance with all legal and regulatory requirements in connection with such use.

TI has specifically designated certain components as meeting ISO/TS16949 requirements, mainly for automotive use. In any case of use of non-designated products, TI will not be responsible for any failure to meet ISO/TS16949.

Products

| | |
|------------------------------|--|
| Audio | www.ti.com/audio |
| Amplifiers | amplifier.ti.com |
| Data Converters | dataconverter.ti.com |
| DLP® Products | www.dlp.com |
| DSP | dsp.ti.com |
| Clocks and Timers | www.ti.com/clocks |
| Interface | interface.ti.com |
| Logic | logic.ti.com |
| Power Mgmt | power.ti.com |
| Microcontrollers | microcontroller.ti.com |
| RFID | www.ti-rfid.com |
| OMAP Applications Processors | www.ti.com/omap |
| Wireless Connectivity | www.ti.com/wirelessconnectivity |

Applications

| | |
|-------------------------------|--|
| Automotive and Transportation | www.ti.com/automotive |
| Communications and Telecom | www.ti.com/communications |
| Computers and Peripherals | www.ti.com/computers |
| Consumer Electronics | www.ti.com/consumer-apps |
| Energy and Lighting | www.ti.com/energy |
| Industrial | www.ti.com/industrial |
| Medical | www.ti.com/medical |
| Security | www.ti.com/security |
| Space, Avionics and Defense | www.ti.com/space-avionics-defense |
| Video and Imaging | www.ti.com/video |

TI E2E Community

e2e.ti.com