

Disclaimer: This document was part of the First European DSP Education and Research Conference. It may have been written by someone whose native language is not English. TI assumes no liability for the quality of writing and/or the accuracy of the information contained herein.

***Digital Signal Processing Solutions for
Motor Control Using the TMS320F240
DSP-Controller***

Author: S. Bejerke

ESIEE, Paris
September 1996
SPRA345



IMPORTANT NOTICE

Texas Instruments (TI™) reserves the right to make changes to its products or to discontinue any semiconductor product or service without notice, and advises its customers to obtain the latest version of relevant information to verify, before placing orders, that the information being relied on is current.

TI warrants performance of its semiconductor products and related software to the specifications applicable at the time of sale in accordance with TI's standard warranty. Testing and other quality control techniques are utilized to the extent TI deems necessary to support this warranty. Specific testing of all parameters of each device is not necessarily performed, except those mandated by government requirements.

Certain application using semiconductor products may involve potential risks of death, personal injury, or severe property or environmental damage ("Critical Applications").

TI SEMICONDUCTOR PRODUCTS ARE NOT DESIGNED, INTENDED, AUTHORIZED, OR WARRANTED TO BE SUITABLE FOR USE IN LIFE-SUPPORT APPLICATIONS, DEVICES OR SYSTEMS OR OTHER CRITICAL APPLICATIONS.

Inclusion of TI products in such applications is understood to be fully at the risk of the customer. Use of TI products in such applications requires the written approval of an appropriate TI officer. Questions concerning potential risk applications should be directed to TI through a local SC sales office.

In order to minimize risks associated with the customer's applications, adequate design and operating safeguards should be provided by the customer to minimize inherent or procedural hazards.

TI assumes no liability for applications assistance, customer product design, software performance, or infringement of patents or services described herein. Nor does TI warrant or represent that any license, either express or implied, is granted under any patent right, copyright, mask work right, or other intellectual property right of TI covering or relating to any combination, machine, or process in which such semiconductor products or services might be or are used.

TRADEMARKS

TI is a trademark of Texas Instruments Incorporated.

Other brands and names are the property of their respective owners.

CONTACT INFORMATION

US TMS320 HOTLINE	(281) 274-2320
US TMS320 FAX	(281) 274-2324
US TMS320 BBS	(281) 274-2323
US TMS320 email	dsph@ti.com

Contents

Abstract	7
Product Support on the World Wide Web	8
Introduction.....	9
The Different DSP Architectures and their Digital Motor Control Target Applications	10
Architecture of the DSP-Controller TMS320F240	12
Sensorless Control Algorithms - Overview.....	15
Practical Examples	16
Kalman Observer of an Induction Motor	16
Realization with the DSP-Controller F240	19
Practical Results of the Kalman Observer.....	20
Sensorless Controlled PMSM Drive	21
Single Chip Realization with the DSP-Controller F240.....	23
Practical Results.....	24
Conclusion	24
Acknowledgment.....	25
Literature	25

Figures

Figure 1.	The TI Fixed Point DSP Family	11
Figure 2.	Structure of the DSP-Controller TMS320F240	13
Figure 3.	System Concept of Kalman Observed Induction Motor using the C240.....	20
Figure 4.	Speed Reversal with Kalman Filter	20
Figure 5.	Sensorless Vector Control Scheme of a PMSM Drive	22
Figure 6.	Structure of a Sliding Mode Observer	23
Figure 7.	Single Chip Realization of a Sensorless PMSM Drive	24

Tables

Table 1.	Memory Requirements of Kalman Filter	21
----------	--	----

Digital Signal Processing Solutions for Motor Control Using the TMS320F240 DSP-Controller

Abstract

Digital Signal processing technology is enabling cost effective and energy efficient control system design. The performance of a DSP architecture allows an intelligent approach to reduce the complete system costs of digital motion control applications using cheaper electrical motors, fewer sensors, and smaller sizes of EMI filters. To provide also a cost optimal solution Texas Instruments (TI™) developed a single chip solution combining the features of a Microcontroller and the performance advantages of a DSP core. This new - so called "DSP-Controller" delivers the real-time MIPS and the tightly integrated peripherals to implement optimal control algorithms with no cost penalty. This paper deals with an overview of DSP solutions in digital motor control applications whereby the focus will be the new DSP-Controller and its applications.

This document was part of the first European DSP Education and Research Conference that took place September 26 and 27, 1996 in Paris. For information on how TI encourages students from around the world to find innovative ways to use DSPs, see TI's World Wide Web site at www.ti.com.



Product Support on the World Wide Web

Our World Wide Web site at www.ti.com contains the most up to date product information, revisions, and additions. Users registering with TI&ME can build custom information pages and receive new product updates automatically via email.

Introduction

The requirements of electrical drive systems increases by the request of more performance, higher integration, easier to program and lower cost. To optimize the drive system several ways can be chosen. One is to stay with standard control concept and its sensors and try to reduce only the device cost. Another one is to reduce the sensor elements using sensorless control techniques, which requires normally more computation performance. Combining both ways leads normally to a system cost optimized solution.

Based on these trends TI developed a new controller concept which integrates a Digital Signal Processor (DSP) core with intelligent peripherals to achieve a single chip solution also for sensorless controlled drive systems. The new controller family is named "DSP-Controller". The DSP-Controller TMS320F240 will be described in detail.

Out of the feature list of the DSP-Controllers an overview of sensorless control techniques will be given, whereby the target drives base on 3 phase permanent magnet synchronous motors (PMSM) and 3 phase induction cage motors. For the induction cage motor a practical implementation will be presented. In the case of the induction motor it is a Kalman Observer to eliminate any speed and rotor position sensor. The main problems to implement a complex Kalman Observer on a 16Bit Fixed Point DSP core is included into scaling task. The practical realization and its results confirm that it is possible. Most other publications are using Floating Point arithmetic, which is not acceptable in mass production out of cost reasons.

The paper starts with a brief overview of the different types of DSPs and their application fields. Afterwards the new DSP family the DSP-Controller TMS320F240 will be introduced. Several practical motor control applications and their implementation will be discussed.

The Different DSP Architectures and their Digital Motor Control Target Applications

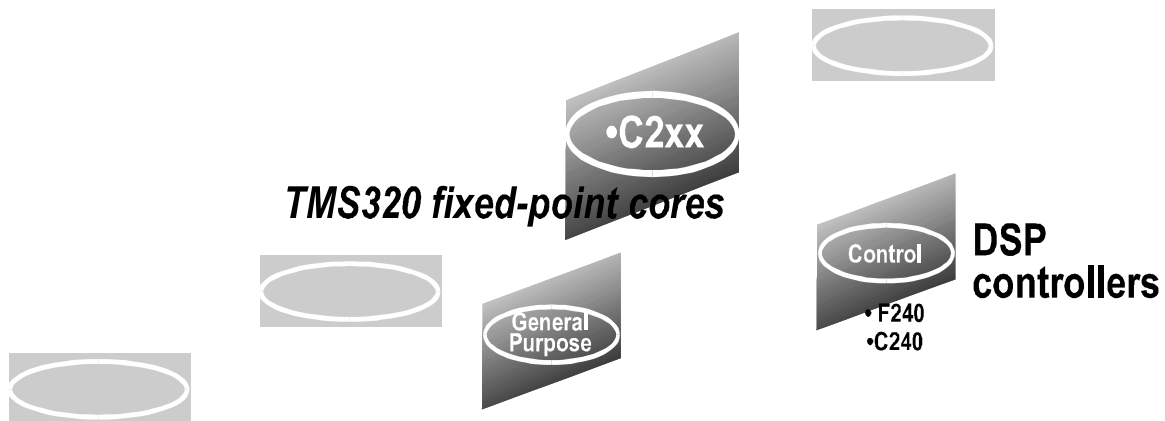
The DSP family is subdivided into three different types: the combination of an integration of a 32Bit RISC processor and several advanced DSPs like the TMS320C8x family, the 32Bit Floating Point Devices e.g. TMS320C3x, and the 16Bit Fixed Point DSPs.

Regarding the TMS3208x and its 2 BOBS (Billion Operation Per Second) the digital motor control application field is very small. One typical application is the control of magnet bearings normally used in turbines to reduce the friction to a minimum. The application fields for 32 Floating Point DSPs are Computer Numerical Controlled (CNC) machines, high precision linear motors with a resolution down to a range of 100nm, and in the field of research and pre-development. Especially the use of good high level language support like "C" and its efficient conversion is here important. The work is focused on the research work and not on the cost optimization.

The 16 Fixed Point DSP can be used in all types of BLDC, PMSM, Switched Reluctance motors, as well squirrel cage induction motors. Main application are industrial power converters and white goods with the aim to reduce the sensor elements, to increase the efficiency (the important green aspect), to reduce the noises as well as to decrease the system costs. The Fixed Point DSPs with its performance range of 6.5 to 100MPS are able to control a complete enhanced motor management system including a sensorless approach, power factor correction, security and service features, human machine interface, as well as the digital motor control itself.

To achieve a single chip DSP solution TI developed a new DSP-Controller Family the TMS320F240 and its derivatives. How the new DSP-Controller generation is embedded into the Fixed Point DSP family, is shown in Figure 1.

Figure 1. The TI Fixed Point DSP Family



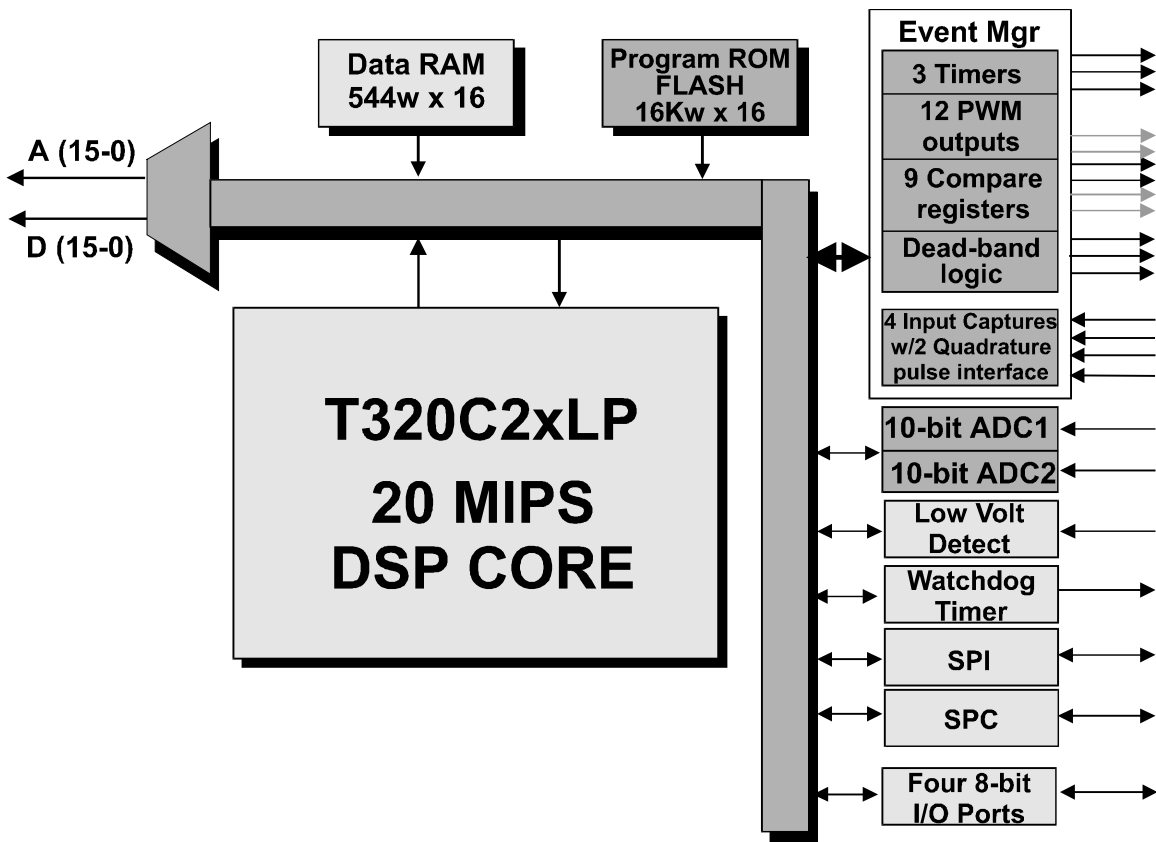
The next section, *Architecture of the DSP-Controller TMS320F240*, will explain the new DSP-Controller more in detail.

Architecture of the DSP-Controller TMS320F240

The DSP-Controller F240 is an integration of a digital signal processor core with the peripherals of a Microcontroller. The performance as well as the intelligent peripherals meet the requirements of an enhanced motor management system being on capable of executing of 20 million instruction per second. This high performance allows the execution of manifold tasks and of complex control like sensorless controlled drives (Kalman Filter, Observers) in real time. Minimizing of control loop delays or control cycles times improve the dynamic behavior and result in a better disturbance behavior.

The DSP-Controller F240 has been optimized for digital control system applications and has all the architectural features necessary for high-speed signal processing. The device possesses all the peripheral needed to provide a single chip stand-alone DSP-Controller. These peripherals include bit selectable I/O ports, a high speed serial port, 12 high precision pulse width modulation outputs, four capture inputs, 4 independent timers, and 2 10bit AD converter with 16 input channels. The 'DSP-Controller F240' architecture is also optimized for processing control signals. A 16 bit word length is used along with 32 bit registers for storing intermediate results, and two hardware shifters are available to scale numbers independent of the CPU. This combination minimizes quantization and truncation errors, and increases processing power for additional functions. A diagram of the DSP-Controller F240 is given in Figure 2.

Figure 2. Structure of the DSP-Controller TMS320F240



The DSP-Controller F240 core architecture is based on the TMS320C5x, which utilizes a modified Harvard architecture for speed and flexibility. The main characteristic of the 2xLP core is the static design of the C5x generation with its 4 level pipeline architecture combined with the instruction set of the 2nd generation of TI DSPs. In a strict Harvard architecture, program and data memory lie in two separate spaces, permitting a full overlap of instruction fetch and execution. This processor addresses three memory spaces: program memory space for instructions; data memory space for data variables; and Input/Output port space for accessing peripheral registers and data. The processor can address up to 64Kx16 words of program memory, 64Kx16 words of local data memory and 64Kx16 words of I/O ports. Already integrated are 544x16 words of Dual Access RAM and 16Kx16 words of FLASH program memory. The Flash version is named F240 and the ROM version with C240.

The intelligent peripherals consist out of the Event Manager (EV) block, the communication unit (SPI and SCI), test and program interface (JTAG), the AD converters, and for system protection a Watchdog timer and a Low Voltage Detection (LVD) unit.



The event manager with its 3 16bit timer supports up to 12 pulse width modulated outputs for motor control, Power Factor Correction (PFC), as well as Digital Analog Converters. 6 of the 12 PWM channels are dedicated for the control of 3 phase drives like AC motors or Switched Reluctance machines. The pulse pattern generator supports different kinds of PWM modes e.g. asymmetric, symmetric, and space vector modulation. In the case of Space Vector PWM (SVPWM) the DSP-Controller generates automatically the linear combination of the basic space vectors and reduces so 50% of the software overhead.

Further feature is to start the AD converter from the Event Manager without any load of the DSP core. This trigger signal is free programmable using one of the timer compare registers. This feature will be used to synchronize the PWM outputs with the measurement of state variables of the system. Additionally the event manager includes 4 capture inputs to measure for example the commutation signals of a brushless motor, an interface for an optical encoder with quadrature interpretation, and a programmable dead time unit to protect the power switches.

The AD converter block includes 2 10bit AD converters with 2 Samples & Hold circuits and each of the ADC has 8 input channels. The conversion time is less than 10 μ s. In summary the on-chip peripherals of the DSP-Controller make it the ideal solution for digital control.¹



Sensorless Control Algorithms - Overview

The sensorless controller aims to control the motor without the use of a position sensor to give the rotor's position and speed. To a degree the term sensorless is a misnomer as the system still uses current and/or voltage sensors. It is from these current and voltage measurements that the controller must estimate the rotor's speed and position. A short overview of sensorless control algorithms will be given for 3 phase PMSM drives and Induction Motor. The class of trapezoidal Brushless DC motor will be not covered in this paper.

Several sensorless control strategies have been investigated using MATLAB/SIMULINK. In the case of PMSM drives following methods have been simulated and improved:

- Open flux integration
- Open flux integration with auto offset compensation
- INFORM - developed by Dr. Schroedl
- Sliding Mode Observer

The open flux integration methods^{ii,iii} base on the stator voltage equation of a PMSM drive. Problems still exist at the beginning with the integration constant and its identification. To eliminate this problem an auto offset compensation algorithm was developed.^{iv}

The INFORM method is able to detect the rotor position at standstill in Permanent Magnet based motors^v, and is patented. The INFORM algorithm is based upon detecting the changes in the individual stator coil inductance due to the orientation of the rotor flux generated by its Permanent Magnet. The stator inductance is defined to be the rate of change of the stator flux. This stator flux is composed of two components, the rotor flux and the flux generated by the current is flowing through the coil. It is also possible to transfer the INFORM method to induction motors.

The Sliding Mode Observer is explained in detail in the section, *Practical Examples*. In comparison the sliding mode observer has some advantages in comparison to the other methods. Out of the sliding approach this control scheme showed a very robust behavior and is simple to implement. These are the main reasons why we have chosen to transfer the simulation to a practical implementation, as it will be shown in *Practical Examples*

Practical Examples

Practical implementation on the DSP-Controller will be given in this section. The first one is a Kalman Observer application using an induction cage motor and the second is a sensorless controlled PMSM drive using a sliding mode observer approach. Practical results will be presented for each application.

Kalman Observer of an Induction Motor

The first practical example, which requests a DSP-Controller, is a Kalman Observer to receive in a sensorless way the actual values of the rotor position, the rotor velocity, and the rotor flux. In many cases it is impossible to use sensors for velocity or position measurement, either because it is technically impossible, or too expensive. The Kalman observer has a good dynamic behavior, disturbance resistance, and it can work even in standstill.^{vi} This practical example is based on a field orientated control method, whereby the necessary control variable position, speed, and rotor flux will be estimated with a Kalman observer.

Implementing a Kalman observer is a very complex problem, and it requires the model of the AC motor to be calculated in real time. Also the observer equations must be calculated, which normally means many matrix multiplication and one matrix inversion. These requirements can be fulfilled by a processor with high calculation performance. The DSP-Controller is especially well suited for this purpose, because of its good calculation-performance/price ratio.

To give an impression of the complexity of a Kalman observer of an induction motor the theoretical background will be derived.

The Kalman filter provides a solution that directly cares for the effects of the disturbance noises. The errors in the parameters will normally also be handled as noise. The system is describable with the following equations.



$$\dot{\underline{x}} = \underline{A}\underline{x} + \underline{B}\underline{u} + \underline{r} \quad (\text{System}) \quad (1)$$

$$\underline{y} = \underline{C}\underline{x} + \underline{\rho} \quad (\text{Measurement}) \quad (2)$$

Where \underline{r} and $\underline{\rho}$ are the system and the measurement noise. The assumptions regarding the noises are, that these noises are stationary, white, uncorrelated and Gauss noises, and their expectation is 0. The definition of the covariance matrices of these noises is:

$$\text{cov}(\underline{r}) = E\{\underline{r}\underline{r}^T\} = \underline{Q} \quad (3)$$

$$\text{cov}(\underline{\rho}) = E\{\underline{\rho}\underline{\rho}^T\} = \underline{R} \quad (4)$$

Where $E\{\cdot\}$ denotes expected value.

The overall structure of the Kalman observer leads to the system equations:

$$\dot{\hat{\underline{x}}} = (\underline{A} - \underline{K}\underline{C})\hat{\underline{x}} + \underline{B}\underline{u} + \underline{K}\underline{y}, \quad (5)$$

Whereby \underline{K} denote the matrix of the Kalman filter. The setting of the matrix \underline{K} will be done based on the covariance of the noises. The quality of measurement of the goodness of the observation is given by:

$$J = \sum_{i=1}^n E\{\tilde{x}_i^2\} \quad (6)$$

This depends on the choice of \underline{K} . \underline{K} has to be chosen to make J minimal.

$$\underline{K} = \underline{P}\underline{C}^T \underline{R}^{-1} \quad (7)$$

Where \underline{P} can be calculated from the solution of the following equation:

$$\underline{PC}^T \underline{R}^{-1} \underline{CP} - \underline{AP} - \underline{PA}^T - \underline{Q} = \underline{0} \quad (8)$$

Q and R have to be set up based on the stochastic properties of the corresponding noises. Since these are usually not known, they are used as weight matrices in most cases. In a recursive algorithm is presented for the discrete time case to provide the solution for this equation. This algorithm is in fact the EKF (extended Kalman Filter) algorithm, because the matrix of the Kalman observer K, will be online calculated. The EKF is also capable of handling nonlinear systems, such as the induction motor.

Let us now see the recursive form of the EKF.^{vii} All symbols in the following formulas denote matrices or vectors. They are not denoted with a special notation, because there is no possibility of mixing them up with scalars.

$$x_{k|k} = x_{k|k-1} + K_k (y_k - h(x_{k|k-1}, k)) \quad (9)$$

$$P_{k|k} = P_{k|k-1} - K_k \left. \frac{\partial h}{\partial x} \right|_{x=x_{k|k-1}} P_{k|k-1} \quad (10)$$

$$K_k = P_{k|k-1} \left. \frac{\partial h^T}{\partial x} \right|_{x=x_{k|k-1}} \left(\left. \frac{\partial h}{\partial x} \right|_{x=x_{k|k-1}} P_{k|k-1} \left. \frac{\partial h^T}{\partial x} \right|_{x=x_{k|k-1}} + R \right)^{-1} \quad (11)$$

$$x_{k+1|k} = \Phi(k+1, k, x_{k|k-1}, u_k) \quad (12)$$

$$P_{k+1|k} = \left. \frac{\partial \Phi}{\partial x} \right|_{x=x_{k|k}} P_{k|k} \left. \frac{\partial \Phi^T}{\partial x} \right|_{x=x_{k|k}} + \Gamma_k Q \Gamma_k^T \quad (13)$$

Where

$$\Phi(k+1, k, x_{k|k-1}, u_k) = A_k(x_{k|k}) + B_k(x_{k|k})u_k \quad (14)$$

$$h(x_{k|k-1}, k) = C_k(x_{k|k-1})x_{k|k-1} \quad (15)$$

These are the system vector and the output vector. These vectors can be explicitly calculated. The matrix K is the feedback matrix of the EKF. This matrix determines how the state vector of the EKF is modified after the output of the model is compared to the real output of the system. At this point it is important to mention, that this system of equations contains many matrix operations, which mean a problem to implement in real time.

To implement this recursive algorithm of course we will need the model of the motor, which means the matrices A, B and C, from which we have to calculate the matrices Φ and h. The discrete model of the induction motor is given in equation 16 and 17 using the sample time T:

$$\begin{bmatrix} i_{s\alpha} \\ i_{s\beta} \\ \Psi_{R\alpha} \\ \Psi_{R\beta} \\ \omega \end{bmatrix}_{k+1} = \begin{bmatrix} 1-T\frac{K_R}{K_L} & 0 & T\frac{L_R R}{L_R^2 K_L} & T\frac{L_H \omega}{L_R K_L} & 0 \\ 0 & 1-T\frac{K_R}{K_L} & -T\frac{L_H \omega}{L_R K_L} & T\frac{L_R R}{L_R^2 K_L} & 0 \\ T\frac{L_H}{T_R} & 0 & 1-T\frac{1}{T_R} & -T\omega & 0 \\ 0 & T\frac{L_H}{T_R} & T\omega & 1-T\frac{1}{T_R} & 0 \\ 0 & 0 & 0 & 0 & 1 \end{bmatrix} \begin{bmatrix} i_{s\alpha} \\ i_{s\beta} \\ \Psi_{R\alpha} \\ \Psi_{R\beta} \\ \omega \end{bmatrix}_k + T\frac{1}{K_L} \begin{bmatrix} 1 & 0 \\ 0 & 1 \\ 0 & 0 \\ 0 & 0 \\ 0 & 0 \end{bmatrix} \begin{bmatrix} u_{s\alpha} \\ u_{s\beta} \end{bmatrix}_k \quad (16)$$

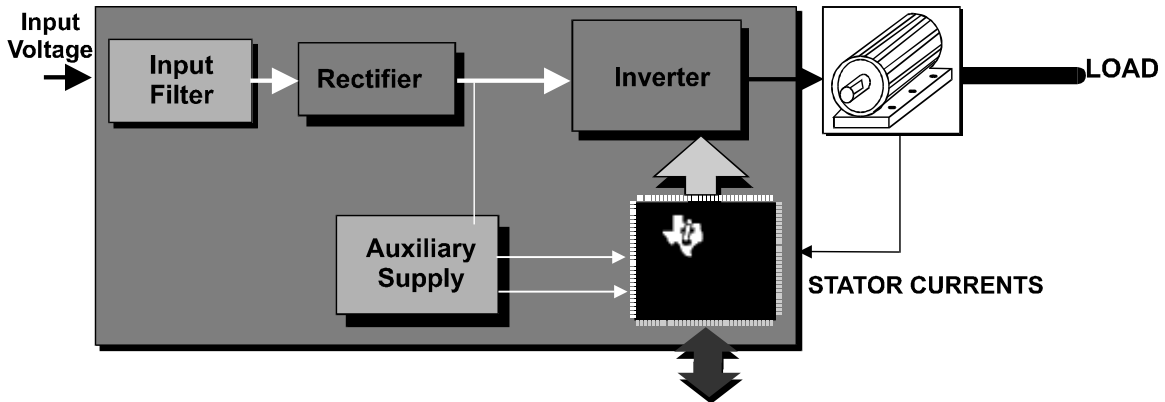
$$\begin{bmatrix} i_{s\alpha} \\ i_{s\beta} \end{bmatrix}_k = \begin{bmatrix} 1 & 0 & 0 & 0 & 0 \\ 0 & 1 & 0 & 0 & 0 \end{bmatrix} \begin{bmatrix} i_{s\alpha} \\ i_{s\beta} \\ \Psi_{R\alpha} \\ \Psi_{R\beta} \\ \omega \end{bmatrix}_k \quad (17)$$

In summary the DSP-Controller must calculate first Φ and h matrix using afterwards the calculation of the Kalman matrix K with the matrix inversion operation. This must be done in real time, because the system matrix A includes also state variables like the velocity ω .

Realization with the DSP-Controller F240

Figure 3 presents a complete system schematics. The DSP-Controller measures only 2 of the 3 stator phase currents. No additional measurements are necessary. The load and its behavior must be not nearer defined. This is application specific.

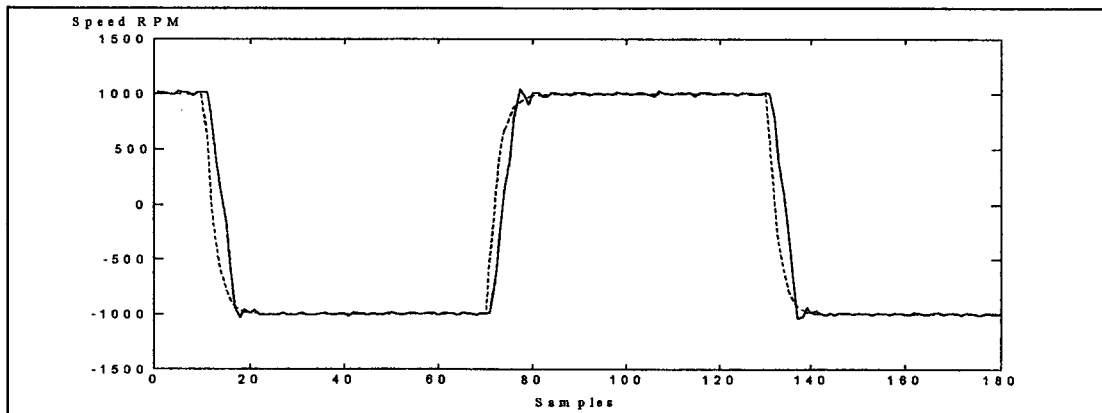
Figure 3. System Concept of Kalman Observed Induction Motor using the C240



Practical Results of the Kalman Observer

The Kalman observer matrix K must be calculated in real time. Figure 4 shows the result of a speed reversal of plus/minus 1000 rpm electrically without any position/velocity sensor.

Figure 4. Speed Reversal with Kalman Filter



The program needs relatively little memory; the following table summarizes the needs:



Table 1. Memory Requirements of Kalman Filter

Program Part	Program Size (Words)	Data Size (Words)
Control + Kalman Filter	3641	631
Monitor Program	1577	603
Libraries	1605	309
Stack	0	1024
Σ Memory requirement	6823	2564

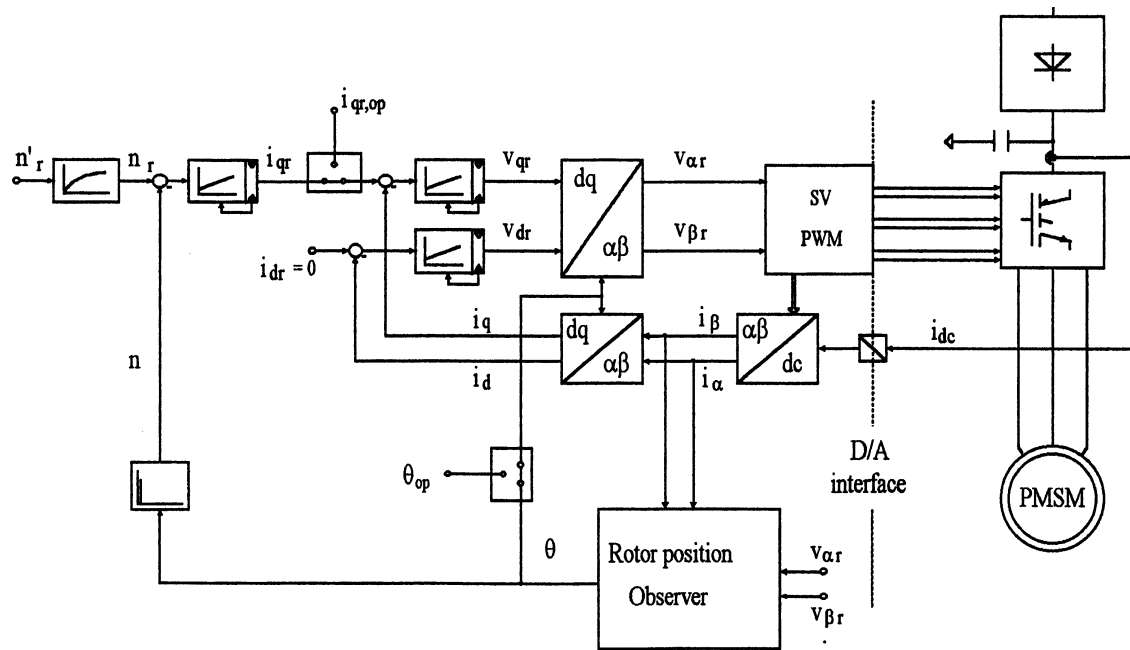
The DSP-Controller has a computing power of 20 MIPS at 20 MHz, which means a cycle time of 50 ns. The computation of the control happens in a 500 μ s cycle, so the processor has 10,000 cycles available. The processor is using currently about 4400-4700 cycles, and this means, that it has time to perform foreground tasks, such as Monitor programs, or other communications. The processor computing capacity is used to about 50%, but the cycle times could also be reduced.

Sensorless Controlled PMSM Drive

As already discussed in the section, *Architecture of the DSP-Controller TMS320F240*, one possible sensorless control method is a sliding mode observer. In several application is the efficiency very important as well as based on cost and reliability reason it is not allowed to use a speed, position, or Hall (commutation signals) sensor. Out of these requirement sliding mode observer strategy has the several advantages like its robustness, easy implementation etc.

Using a sinusoidal permanent magnet synchronous motor (PMSM) the standard control scheme is a vector control method, whereby the state variables will be transformed to a coordinate system rotating synchronous with the rotor. In rotor frame coordinates the PMSM behaves like a separately excited DC motor. The exact value of the rotor position is mandatory to control the speed, to transform the state variables, and to achieve a high efficiency. The control scheme is illustrated in Figure 5.

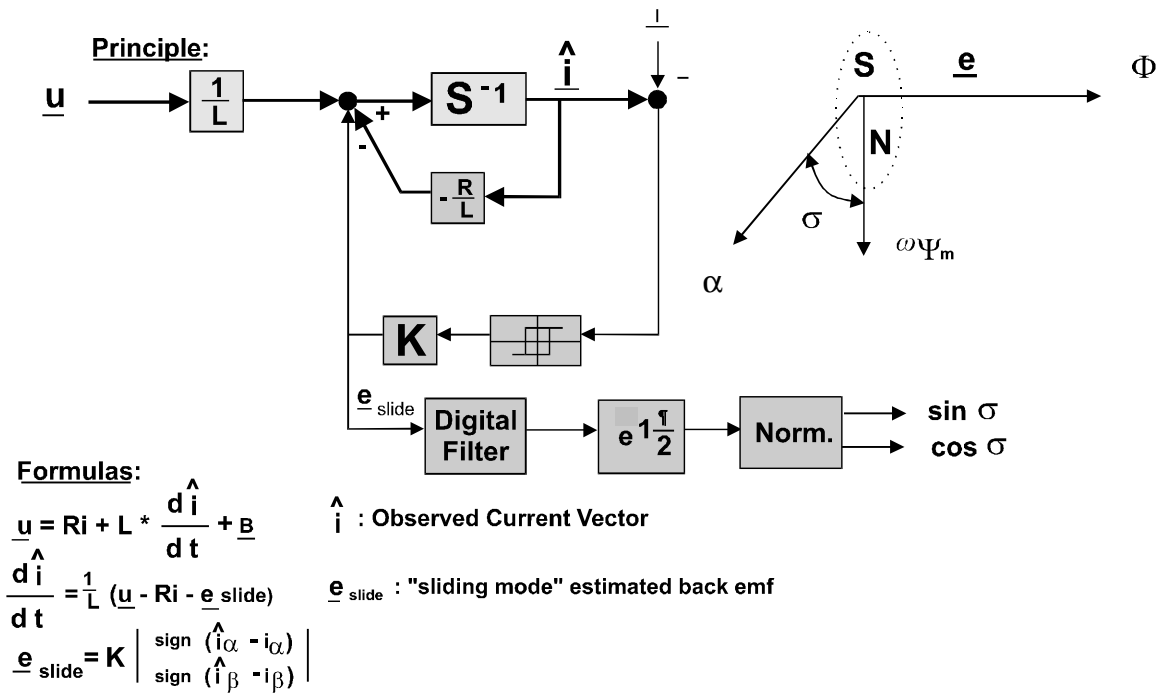
Figure 5. Sensorless Vector Control Scheme of a PMSM Drive



The principle and its theoretical background are given in Figure 6. The sign function (sliding mode) of ΔI will be multiplied with a constant factor K and afterwards transferred into a continuous system using an adaptive digital filter to compensate the phase shift influence of the digital filter. The result of the procedure is the already the sine and cosine function of the rotor position.



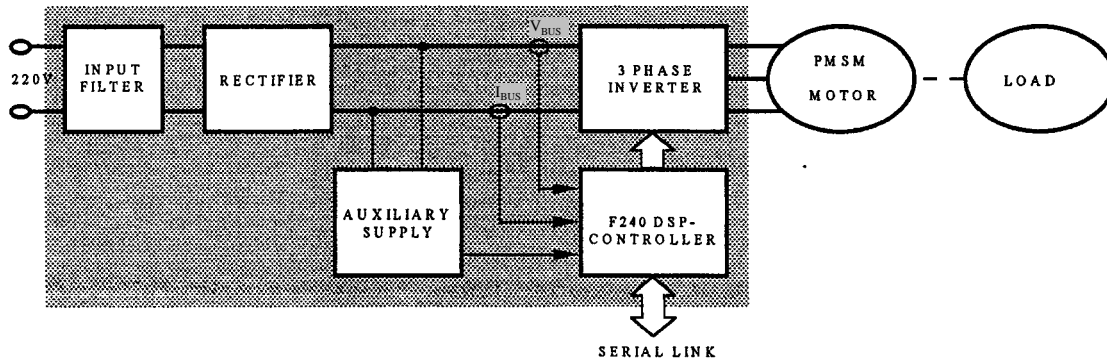
Figure 6. Structure of a Sliding Mode Observer



Single Chip Realization with the DSP-Controller F240

Figure 7 presents a complete system structure of a sensorless controlled PMSM. The DSP-Controller measures only I_{bus} and V_{bus} . The stator phase currents will be estimated out of the switching positions of the power switches and the value of I_{bus} . For the current measurement is only 1 Shunt necessary and no galvanic or optical decoupling unit, because the DSP-Controller is related already to power ground. The same current measurement technique can be implemented for the Kalman observer application. The load and its behavior must be not nearer defined. This is normally application specific.

Figure 7. Single Chip Realization of a Sensorless PMSM Drive



Practical Results

The proposed control scheme has been implemented on the DSP-Controller. All the control routines are implemented using assembler language with fixed precision numerical representation. The calculation time of the whole control algorithm is less than $60 \mu\text{s}$. The inverter switching frequency is 16 kHz. The speed control takes $2 \mu\text{s}$ and is calculated every 28 cycles, then 1.75 ms. Phase currents estimation needs sampling of the inverter DC current during the PWM period at instants that vary as a function of the actual PWM pattern. The memory space needed for is less than 1.2K word of ROM, and 100 word of RAM, and use 70% (14 MIPS) of the DSP-Controller performance.

The achieved electronic efficiency is in a range of 95% and the total efficiency $> 85\%$. The speed error was under worst case conditions less than 1.5%.

Conclusion

This paper presents new controller architecture the DSP-Controller and its single chip solutions for sensorless controlled drive systems. The DSP-Controller TMS320F240 combines the performance of DSP architecture with the optimized peripherals of a Microcontroller. With the DSP-Controller an intelligent control approach is possible to reduce the overall system costs and to improve the reliability of the drive system. The paper includes a short overview of sensorless control concepts focused for 3 phase PMSM and induction cage motors. For two sensorless control strategies practical examples of its implementation and its results were given.



Acknowledgment

Special thanks to Balazs Simor, who has implemented and documented the Kalman Observer for an induction cage drive during his diploma thesis time.

Literature

- ⁱ "TMS320C240 User's Guide - Preliminary", Texas Instruments, 1996
- ⁱⁱ "A Stator Flux-Orientated Voltage Source Variable-Speed Drive Based on dc Link Measurement", Xue Y., Xu X., Habetler T. & Divan D., IEEE T-IA, 27(5), Sept/Oct 1991.
- ⁱⁱⁱ "Sensorless Position Detection using the Supply Voltage for a Programmable Current Drive for Synchronous Motors", Cardoletti L. & Jufer M., Proc EPE 1991, pp4-123 - 4-127.
- ^{iv} "MATLAB Simulation of Sensorless Brushless DC Motors", Texas Instruments, 1996.
- ^v "Sensorless Control of Permanent Magnet Synchronous Motors", Schroedl M., Electric Machines and Power Systems, 22(2), Mar/Apr 1994, pp173-185.
- ^{vi} "Application of Kalman Filters and Extended Luenberger Observers in Induction Motor Drives" T. Du, P. Vas, A.F. Stronach, M.A. Brdys, Intelligent Motion Proceedings, 1994.
- ^{vii} "Einsatz eines Kalman-Filters zum feldorientierten Betrieb einer Asynchronmaschine ohne mechanische Sensoren" B.-J. Brunsbach, G. Henneberger, Archiv fuer Elektrotechnik 1990 (Springer Verlag).
- ^{viii} "Comparative Study of Rotor Flux Estimation in Induction Motors with a Nonlinear Observer and the Extended Kalman Filter" C. Manes, F. Parasiliti, M. Tursini, IECON 1994.