

ASSEMBLY NOTES:

Built on PMP30763 Rev_A PCB

Ref. Des. > 99 are required parts. "DNP" = do not populate

Connect with isolated wires (diam. > 0.2mm) TP1 to TP2 and TP3 to TP4, without populating the test points

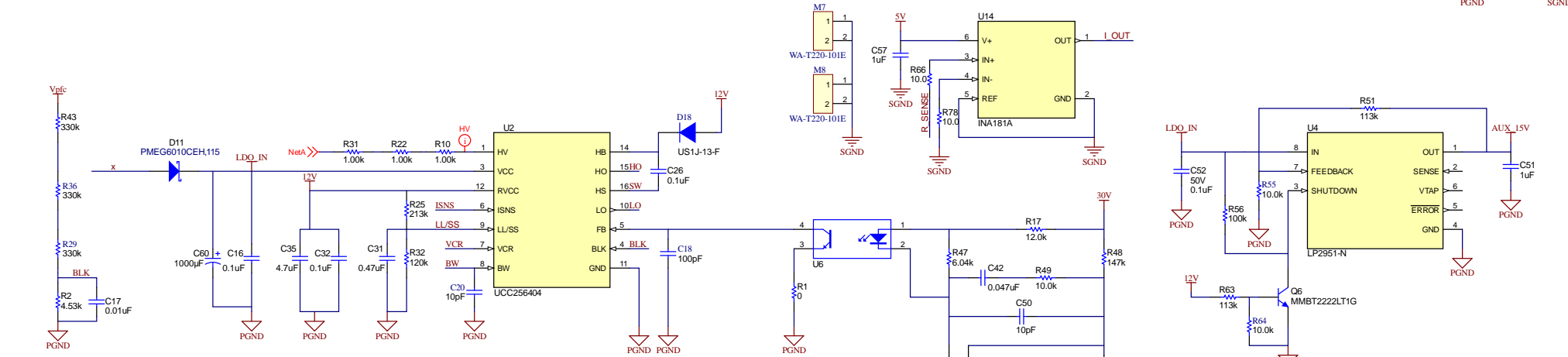
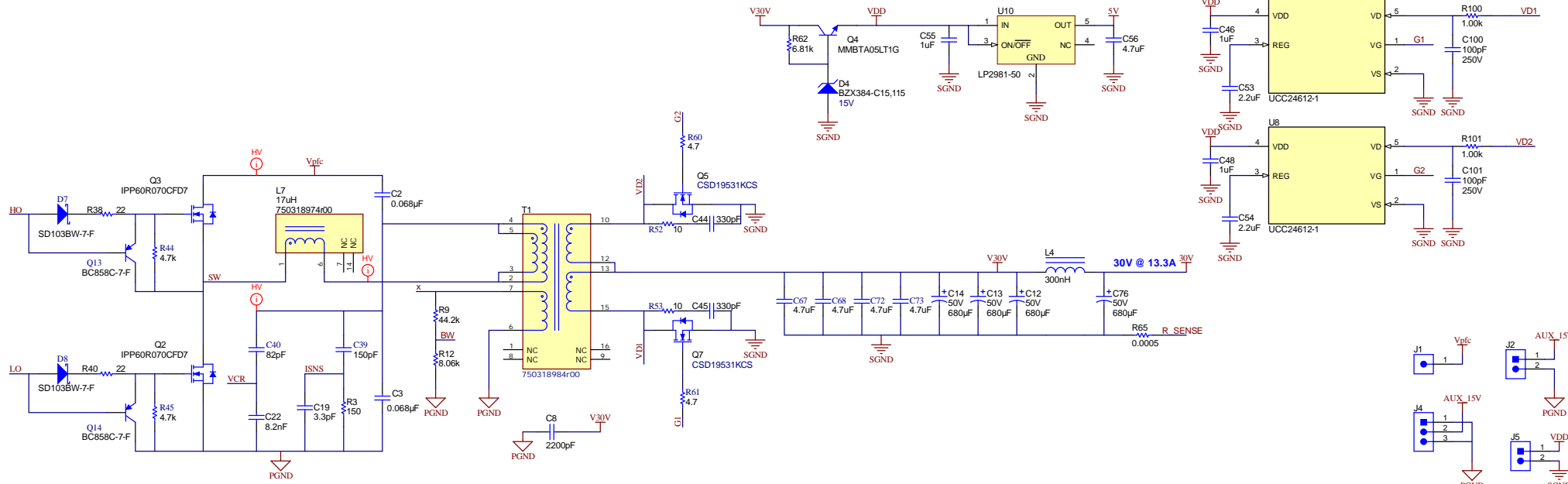
Insert nylon washers H8....H11 on each pin of M1 and H7 heat sinks

Insert thermal insulator rubber caps (part number CP23-TO220-21.5-11.4-5.8-0.3, DigiKey:1168-CP23-TO220-21.5-11.4-5.8-0.3-ND) on heatsinks M1, M2, M3, M4, M5 and M6

Texas Instruments and/or its licensors do not warrant the accuracy or completeness of this specification or any information contained therein. Texas Instruments and/or its licensors do not warrant that this design will meet the specifications, will be suitable for your application or fit for any particular purpose, or will operate in an implementation. Texas Instruments and/or its licensors do not warrant that the design is production worthy. You should completely validate and test your design implementation to confirm the system functionality for your application.

Orderable: N/A	Designed for: Public Release	Mod. Date: 20/04/2021
TID #: PMP30763	Project Title: 400W_PFC + LLC for Avionics	
Number: PMP30763	Rev: c	Sheet Title: PFC
SVN Rev: Not in version control	Assembly Variant: [No Variations]	Sheet: 1 of 3
Drawn By: R. Scibilla	File: PMP30763 Rev. C_PFC_Schematic_SchDoc	Size: B
Engineer: R. Scibilla	Contact: http://www.ti.com/support	





LLC starts at 220V and stops at 198V

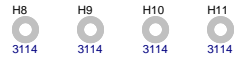
ASSEMBLY NOTES:

- Built on PMP30763 Rev_A PCB
- Ref. Des. > 99 are reworked parts. "DNP" = do not populate
- Insert nylon washers H8...H11 on each pin of M1 and M7 heat sinks
- Disconnect pin 5 of U7 from net VD1 and insert R100; add C100 from pin 5 to ground
- Disconnect pin 5 of U8 from net VD2 and insert R101; add C101 from pin 5 to ground
- Insert thermal insulator rubber caps (part number CP23-TO220-21.5-11.4-5.8-0.3-ND, DigiKey:1168-CP23-TO220-21.5-11.4-5.8-0.3-ND) on heatsinks M7 and M8

Orderable: N/A	Designed for: Public Release	Mod. Date: 07/04/2021
TID #:	Project Title: 400W_PFC + LLC for Avionics	
Number: PMP30763	Rev: c	Sheet Title: LLC
SVN Rev: Not in version control	Assembly Variant: [No Variations]	Sheet 2 of 3
Drawn By: R. Scibilia	File: PMP30763 Rev_C LLC Schematic.SchDoc	Size: B
Engineer: R. Scibilia	Contact: http://www.ti.com/support	

Texas Instruments and/or its licensors do not warrant the accuracy or completeness of this specification or any information contained therein. Texas Instruments and/or its licensors do not warrant that this design will meet the specifications, will be suitable for your application or fit for any particular purpose, or will operate in an implementation. Texas Instruments and/or its licensors do not warrant that the design is production worthy. You should completely validate and test your design implementation to confirm the system functionality for your application.





PCB Number: PMP30763
PCB Rev: A

PCB
LOGO



ZZ1
Label Assembly Note
This Assembly Note is for PCB labels only

ZZ2
Assembly Note
These assemblies are ESD sensitive, ESD precautions shall be observed.

ZZ3
Assembly Note
These assemblies must be clean and free from flux and all contaminants. Use of no clean flux is not acceptable.

ZZ4
Assembly Note
These assemblies must comply with workmanship standards IPC-A-610 Class 2, unless otherwise specified.

ASSEMBLY NOTES:

- Built on PMP30763 Rev_A PCB
- Connect with isolated wires (diam. > 0.2mm) TP1 to TP2 and TP3 to TP4, without populating the test points
- Insert nylon washers H8...H23 on each pin of M1...M8 heat sinks

Texas Instruments and/or its licensors do not warrant the accuracy or completeness of this specification or any information contained therein. Texas Instruments and/or its licensors do not warrant that this design will meet the specifications, will be suitable for your application or fit for any particular purpose, or will operate in an implementation. Texas Instruments and/or its licensors do not warrant that the design is production worthy. You should completely validate and test your design implementation to confirm the system functionality for your application.

Orderable: N/A	Designed for: Public Release	Mod. Date: 28/11/2019
TID #:	Project Title: 400W, PFC + LLC for Avionics	
Number: PMP30763	Rev: c	Sheet Title: Hardware
SVN Rev: Not in version control	Assembly Variant: [No Variations]	Sheet: 3 of 3
Drawn By: R. Scibilia	File: PMP30763 Rev. C Hardware.SchDoc	Size: B
Engineer: R. Scibilia	Contact: http://www.ti.com/support	http://www.ti.com



© Texas Instruments 2019

IMPORTANT NOTICE AND DISCLAIMER

TI PROVIDES TECHNICAL AND RELIABILITY DATA (INCLUDING DATASHEETS), DESIGN RESOURCES (INCLUDING REFERENCE DESIGNS), APPLICATION OR OTHER DESIGN ADVICE, WEB TOOLS, SAFETY INFORMATION, AND OTHER RESOURCES "AS IS" AND WITH ALL FAULTS, AND DISCLAIMS ALL WARRANTIES, EXPRESS AND IMPLIED, INCLUDING WITHOUT LIMITATION ANY IMPLIED WARRANTIES OF MERCHANTABILITY, FITNESS FOR A PARTICULAR PURPOSE OR NON-INFRINGEMENT OF THIRD PARTY INTELLECTUAL PROPERTY RIGHTS.

These resources are intended for skilled developers designing with TI products. You are solely responsible for (1) selecting the appropriate TI products for your application, (2) designing, validating and testing your application, and (3) ensuring your application meets applicable standards, and any other safety, security, or other requirements. These resources are subject to change without notice. TI grants you permission to use these resources only for development of an application that uses the TI products described in the resource. Other reproduction and display of these resources is prohibited. No license is granted to any other TI intellectual property right or to any third party intellectual property right. TI disclaims responsibility for, and you will fully indemnify TI and its representatives against, any claims, damages, costs, losses, and liabilities arising out of your use of these resources.

TI's products are provided subject to TI's Terms of Sale (<https://www.ti.com/legal/termsofsale.html>) or other applicable terms available either on [ti.com](https://www.ti.com) or provided in conjunction with such TI products. TI's provision of these resources does not expand or otherwise alter TI's applicable warranties or warranty disclaimers for TI products.

Mailing Address: Texas Instruments, Post Office Box 655303, Dallas, Texas 75265
Copyright © 2021, Texas Instruments Incorporated