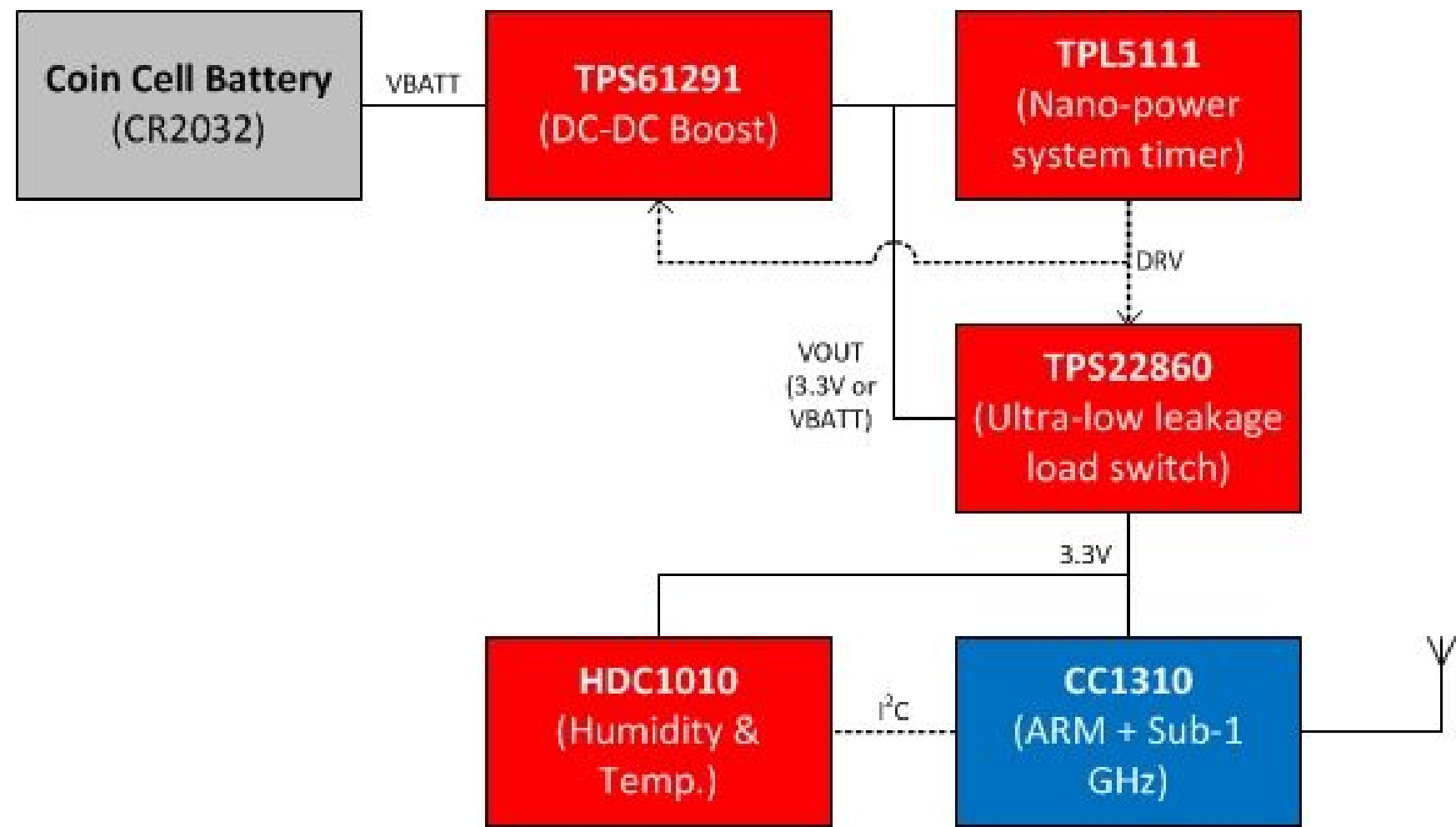


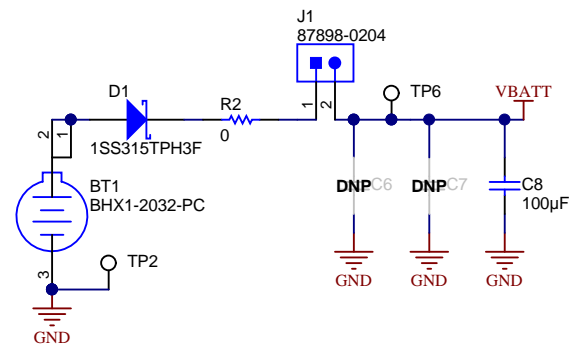
Revision History	
Revision	Notes
E1	Initial Board Release
E2	Replaced HDC1000 with HDC1010 Replaced HDC1050 with HDC1080
E3	Updated wireless MCU passive part numbers.



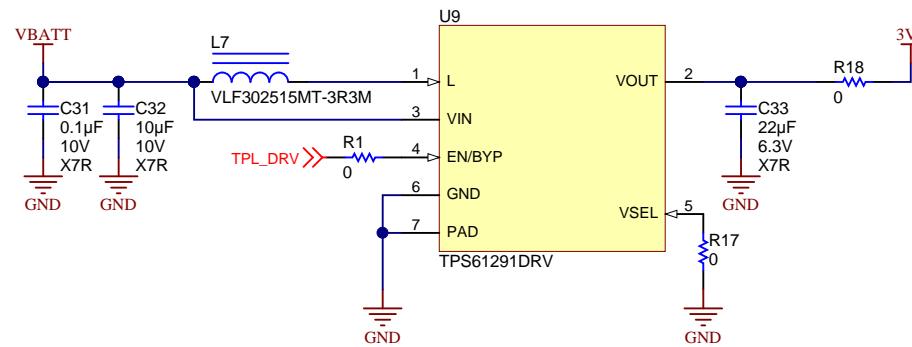
Texas Instruments and/or its licensors do not warrant the accuracy or completeness of this specification or any information contained therein. Texas Instruments and/or its licensors do not warrant that this design will meet the specifications, will be suitable for your application or fit for any particular purpose, or will operate in an implementation. Texas Instruments and/or its licensors do not warrant that the design is production worthy. You should completely validate and test your design implementation to confirm the system functionality for your application.

Orderable: N/A	Designed for: Public Release	Mod. Date: 9/7/2018	 <a href="http://www.ti.com">http://www.ti.com</a>
TID #: TIDA-00484	Project Title: Humidity & Temp. Sensing Node for Sub-1 GHz Sta	Sheet: 1 of 4	
Number: ISE4035	Rev: E3	Sheet Title: CoverSheet	<a href="http://www.ti.com">http://www.ti.com</a>
SVN Rev: Version control disabled	Assembly Variant: 001	Size: B	
Drawn By: Evan Cornell	File: ISE4035_TIDA-00484_CoverSheet.SchDoc	Contact: <a href="http://www.ti.com/support">http://www.ti.com/support</a>	
Engineer: Evan Cornell			© Texas Instruments 2018

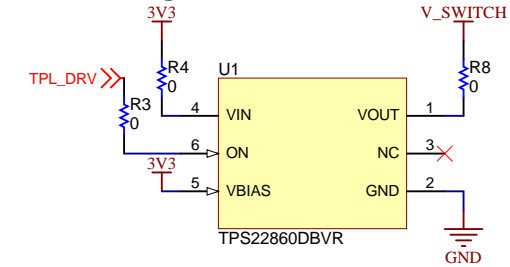
### Battery Connector & Reservoir Capacitors



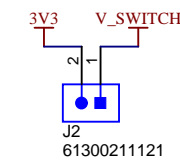
### Boost DC-DC to 3.3V



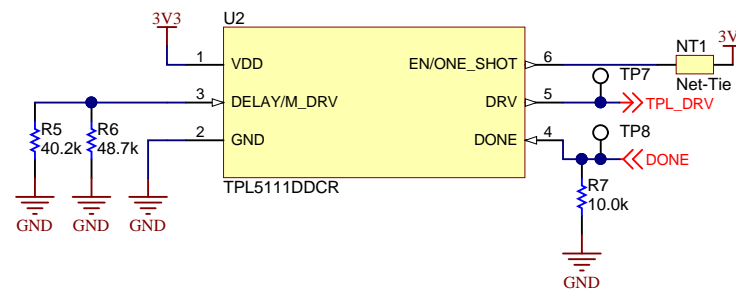
### Analog Switch for Power Shutoff



### Bypass Jumper for Debugging



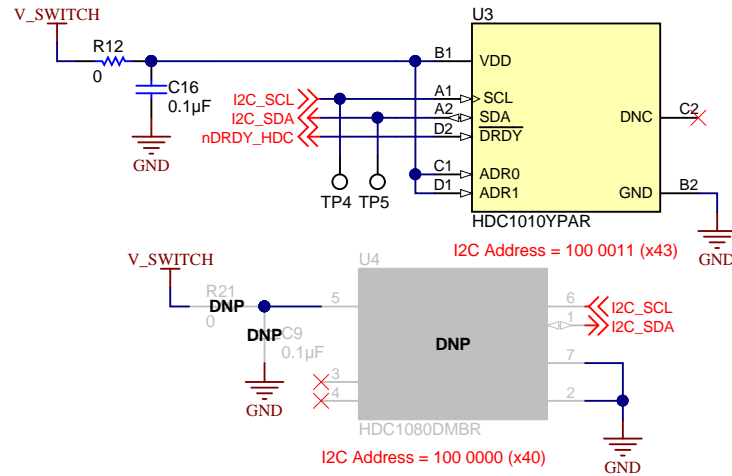
### Nano-Power System Timer



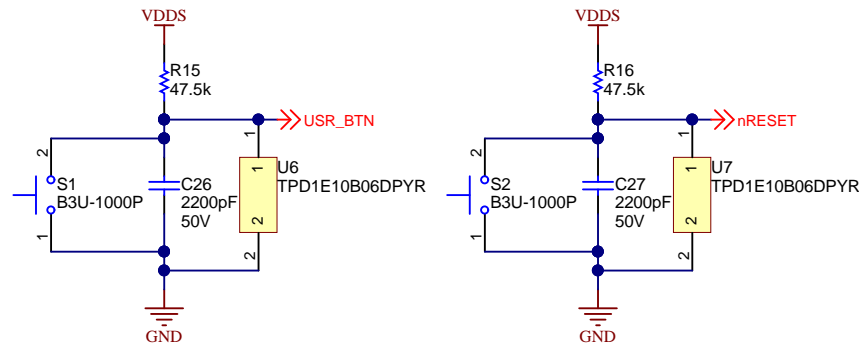
Texas Instruments and/or its licensors do not warrant the accuracy or completeness of this specification or any information contained therein. Texas Instruments and/or its licensors do not warrant that this design will meet the specifications, will be suitable for your application or fit for any particular purpose, or will operate in an implementation. Texas Instruments and/or its licensors do not warrant that the design is production worthy. You should completely validate and test your design implementation to confirm the system functionality for your application.

Orderable: N/A	Designed for: Public Release	Mod. Date: 5/11/2016	
TID #: TIDA-00484	Project Title: Humidity & Temp. Sensing Node for Sub-1 GHz Sta	Sheet: 2 of 4	
Number: ISE4035	Rev: E3	Sheet Title: Power	<a href="http://www.ti.com">http://www.ti.com</a> © Texas Instruments 2018
SVN Rev: Version control disabled	Assembly Variant: 001	Size: B	
Drawn By: Evan Cornell	File: ISE4035_TIDA-00484_Power.SchDoc	Contact: <a href="http://www.ti.com/support">http://www.ti.com/support</a>	

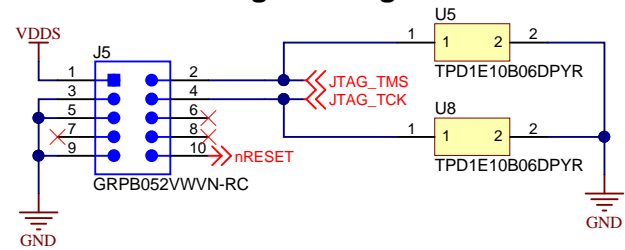
### Humidity to Digital Converters



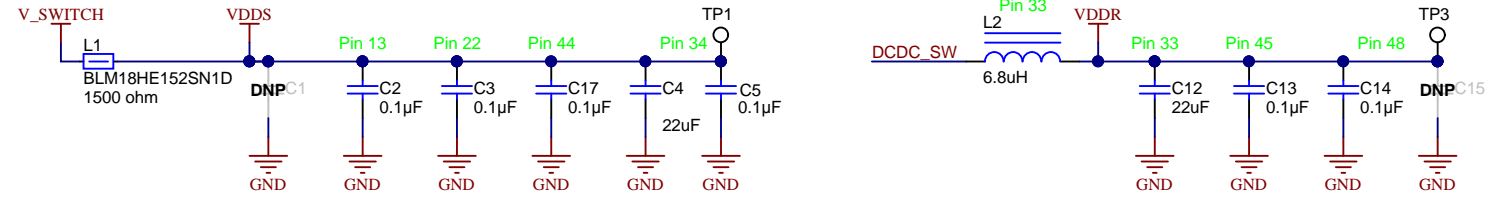
### User and Reset Switches



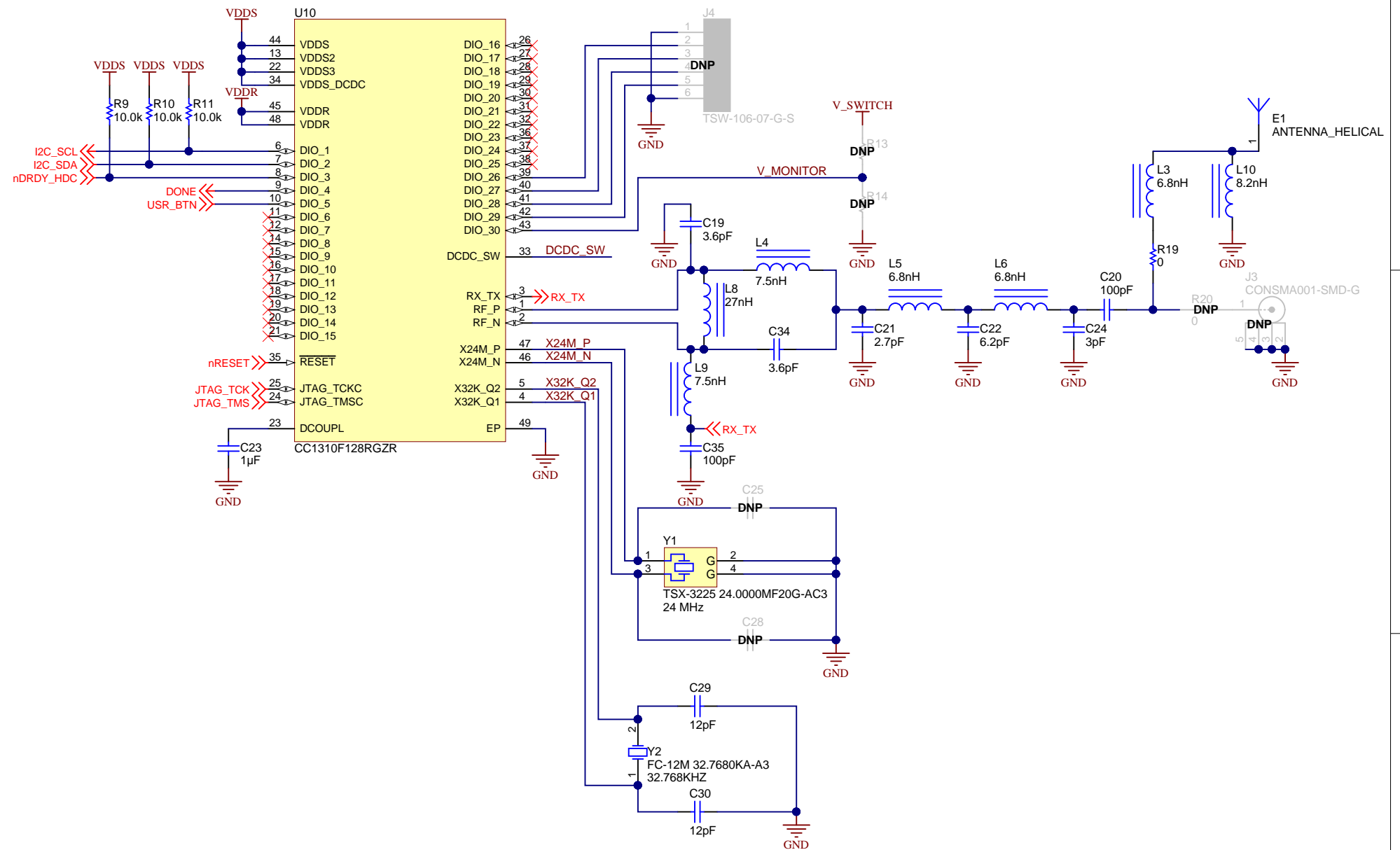
### JTAG Programming Interface



### LPRF Bypass Capacitors & DC-DC Passives



### Wireless MCU



Orderable: N/A	Designed for: Public Release	Mod. Date: 9/11/2018
TID #: TIDA-00484	Project Title: Humidity & Temp. Sensing Node for Sub-1 GHz Sta	
Number: ISE4035	Rev: E3	Sheet Title: MCU_HDC
SVN Rev: Version control disabled	File: ISE4035_TIDA-00484_MCU_HDC.SchDoc	Sheet: 3 of 4
Drawn By: Evan Cornell	Size: B	Engineer: Evan Cornell
Engineer: Evan Cornell	Contact: http://www.ti.com/support	© Texas Instruments 2018

Texas Instruments and/or its licensors do not warrant the accuracy or completeness of this specification or any information contained therein. Texas Instruments and/or its licensors do not warrant that this design will meet the specifications, will be suitable for your application or fit for any particular purpose, or will operate in an implementation. Texas Instruments and/or its licensors do not warrant that the design is production worthy. You should completely validate and test your design implementation to confirm the system functionality for your application.

H1 NY PMS 440 0025 PH H2 NY PMS 440 0025 PH H3 NY PMS 440 0025 PH H4 NY PMS 440 0025 PH

H5 1902C H6 1902C H7 1902C H8 1902C

DNP FID1 DNP FID2 DNP FID3 DNP FID4 DNP FID5 DNP FID6

PCB Number: ISE4035  
PCB Rev: E3

PCB LOGO  
[Texas Instruments](#)

SH-J1

PCB LOGO  
[FCC disclaimer](#)


PCB LOGO  
Pb-Free Symbol

Label Table	
Variant	Label Text
001	Default Build

ZZ1  
**Assembly Note**  
These assemblies are ESD sensitive, ESD precautions shall be observed.

ZZ2  
**Assembly Note**  
These assemblies must be clean and free from flux and all contaminants. Use of no clean flux is not acceptable.

ZZ3  
**Assembly Note**  
These assemblies must comply with workmanship standards IPC-A-610 Class 2, unless otherwise specified.

Orderable: N/A	Designed for: Public Release	Mod. Date: 5/11/2016	
TID #: TIDA-00484	Project Title: Humidity & Temp. Sensing Node for Sub-1 GHz Sta		
Number: ISE4035	Rev: E3	Sheet Title: Hardware	
SVN Rev: Version control disabled	Assembly Variant: 001	Sheet: 4 of 4	
Drawn By: Evan Cornell	File: ISE4035_TIDA-00484_TID_Hardware.SchDoc	Size: B	<a href="http://www.ti.com">http://www.ti.com</a>
Engineer: Evan Cornell	Contact: <a href="http://www.ti.com/support">http://www.ti.com/support</a>		© Texas Instruments 2018

Texas Instruments and/or its licensors do not warrant the accuracy or completeness of this specification or any information contained therein. Texas Instruments and/or its licensors do not warrant that this design will meet the specifications, will be suitable for your application or fit for any particular purpose, or will operate in an implementation. Texas Instruments and/or its licensors do not warrant that the design is production worthy. You should completely validate and test your design implementation to confirm the system functionality for your application.

## IMPORTANT NOTICE AND DISCLAIMER

TI PROVIDES TECHNICAL AND RELIABILITY DATA (INCLUDING DATASHEETS), DESIGN RESOURCES (INCLUDING REFERENCE DESIGNS), APPLICATION OR OTHER DESIGN ADVICE, WEB TOOLS, SAFETY INFORMATION, AND OTHER RESOURCES "AS IS" AND WITH ALL FAULTS, AND DISCLAIMS ALL WARRANTIES, EXPRESS AND IMPLIED, INCLUDING WITHOUT LIMITATION ANY IMPLIED WARRANTIES OF MERCHANTABILITY, FITNESS FOR A PARTICULAR PURPOSE OR NON-INFRINGEMENT OF THIRD PARTY INTELLECTUAL PROPERTY RIGHTS.

These resources are intended for skilled developers designing with TI products. You are solely responsible for (1) selecting the appropriate TI products for your application, (2) designing, validating and testing your application, and (3) ensuring your application meets applicable standards, and any other safety, security, or other requirements. These resources are subject to change without notice. TI grants you permission to use these resources only for development of an application that uses the TI products described in the resource. Other reproduction and display of these resources is prohibited. No license is granted to any other TI intellectual property right or to any third party intellectual property right. TI disclaims responsibility for, and you will fully indemnify TI and its representatives against, any claims, damages, costs, losses, and liabilities arising out of your use of these resources.

TI's products are provided subject to TI's Terms of Sale ([www.ti.com/legal/termsofsale.html](http://www.ti.com/legal/termsofsale.html)) or other applicable terms available either on [ti.com](http://ti.com) or provided in conjunction with such TI products. TI's provision of these resources does not expand or otherwise alter TI's applicable warranties or warranty disclaimers for TI products.

Mailing Address: Texas Instruments, Post Office Box 655303, Dallas, Texas 75265  
Copyright © 2018, Texas Instruments Incorporated