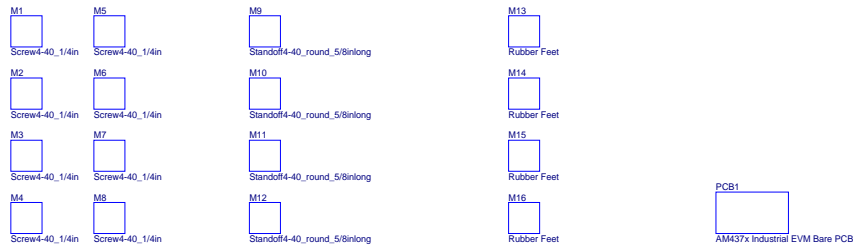
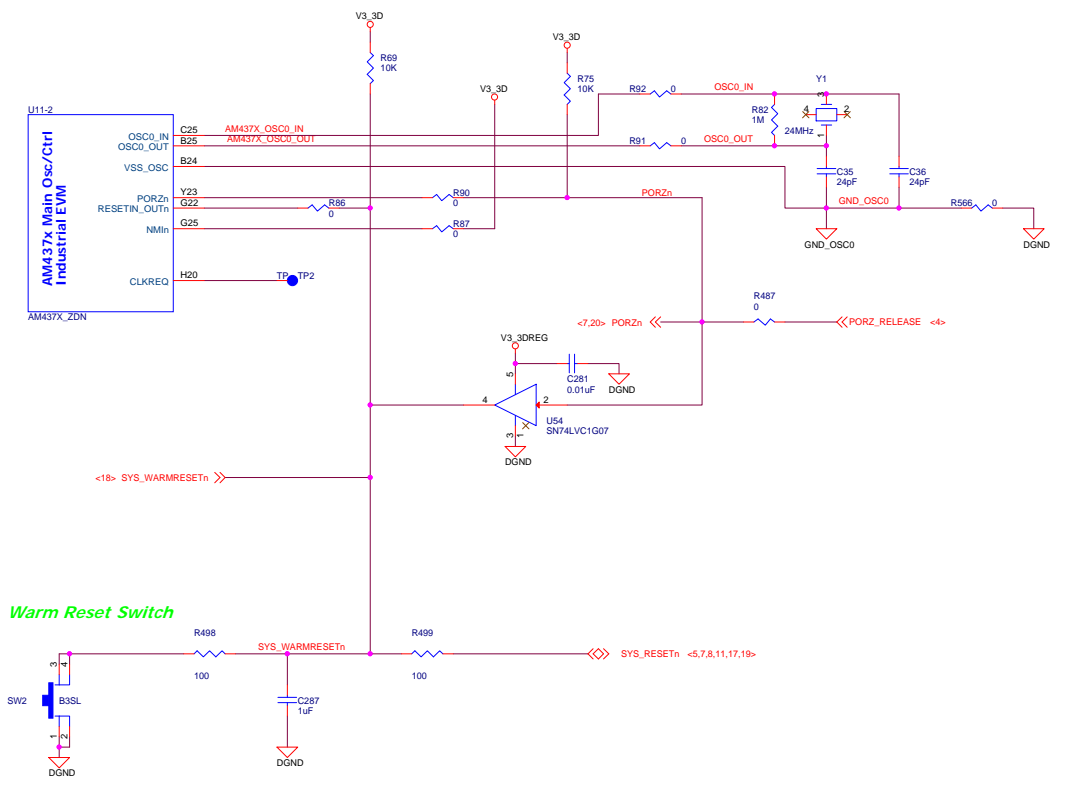


ARM MPU AM437X Industrial EVM ZDN Package

- See the Hardware User Guide for board details
- See the Errata Document for design Issues
- See the PCB Build Specification for PCB Details



ARM MPU	Texas Instruments, Inc.			
	ARM MPU Business Unit 12500 TI Blvd Dallas, TX 75243			
	AM437x Industrial EVM			Final
	Title Page			TIDEP0064
Size	Document Number	Modified By:	Rev	
C	am437x_industrial_evm_3k0008.dsn	Damon Domke	1.3A	
Date: Wednesday, August 27, 2014			Sheet: 1 of 20	



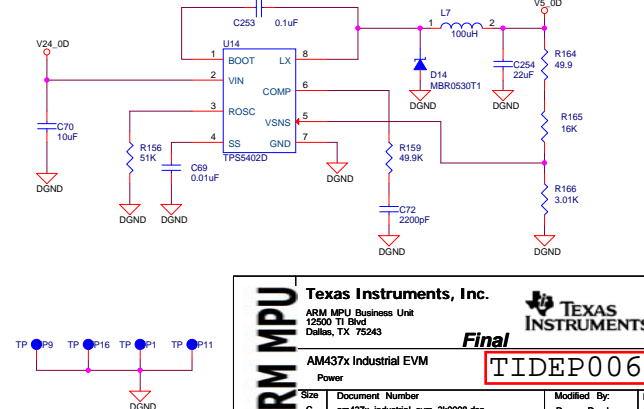
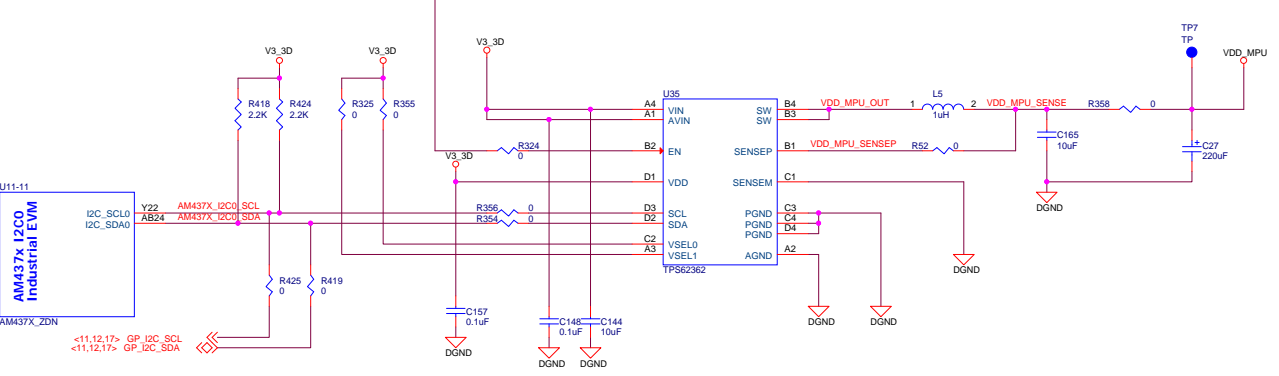
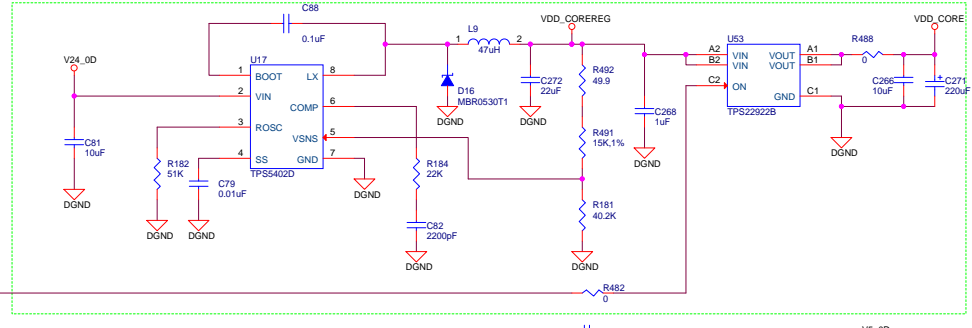
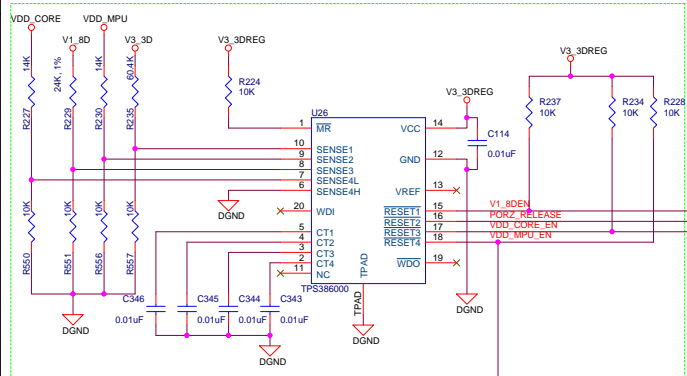
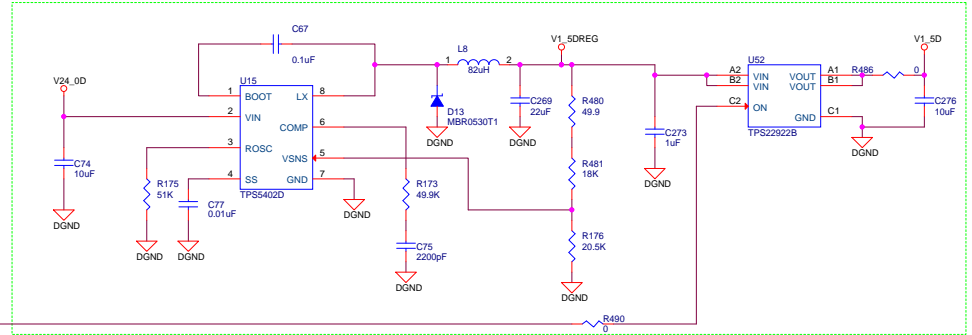
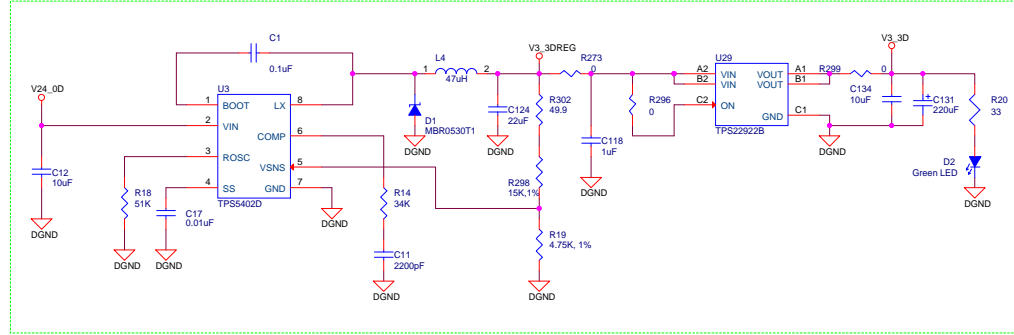
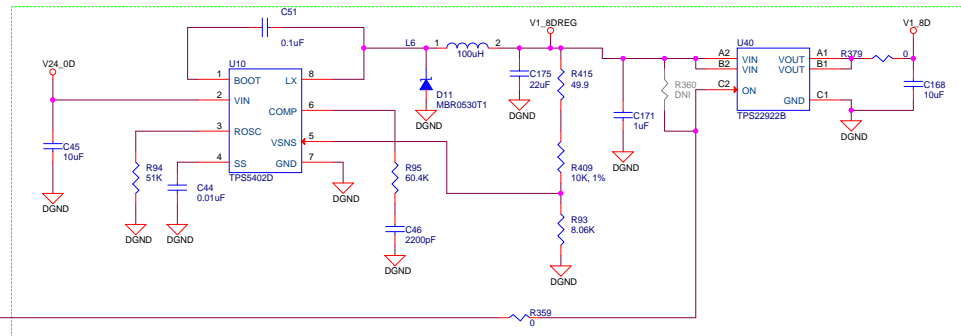
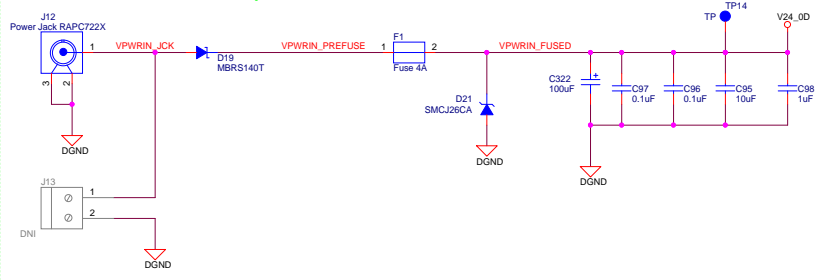
Warm Reset Switch

defaultbuild

ARM MPU	Texas Instruments, Inc.			TEXAS INSTRUMENTS
	ARM MPU Business Unit 12500 TI Blvd Dallas, TX 75243			
	AM437x Industrial EVM Processor System			
Size: Document Number		Modified By:		Rev
C: am437x_industrial_ewm_3k0008.dsn		Damon Domke		1.3A
Date: Monday, July 21, 2014		Sheet: 2		of 20

Final **TIDEP0064**

Main 24VDC Power Input



Texas Instruments, Inc.
 ARM MPU Business Unit
 12500 TI Blvd
 Dallas, TX 75243

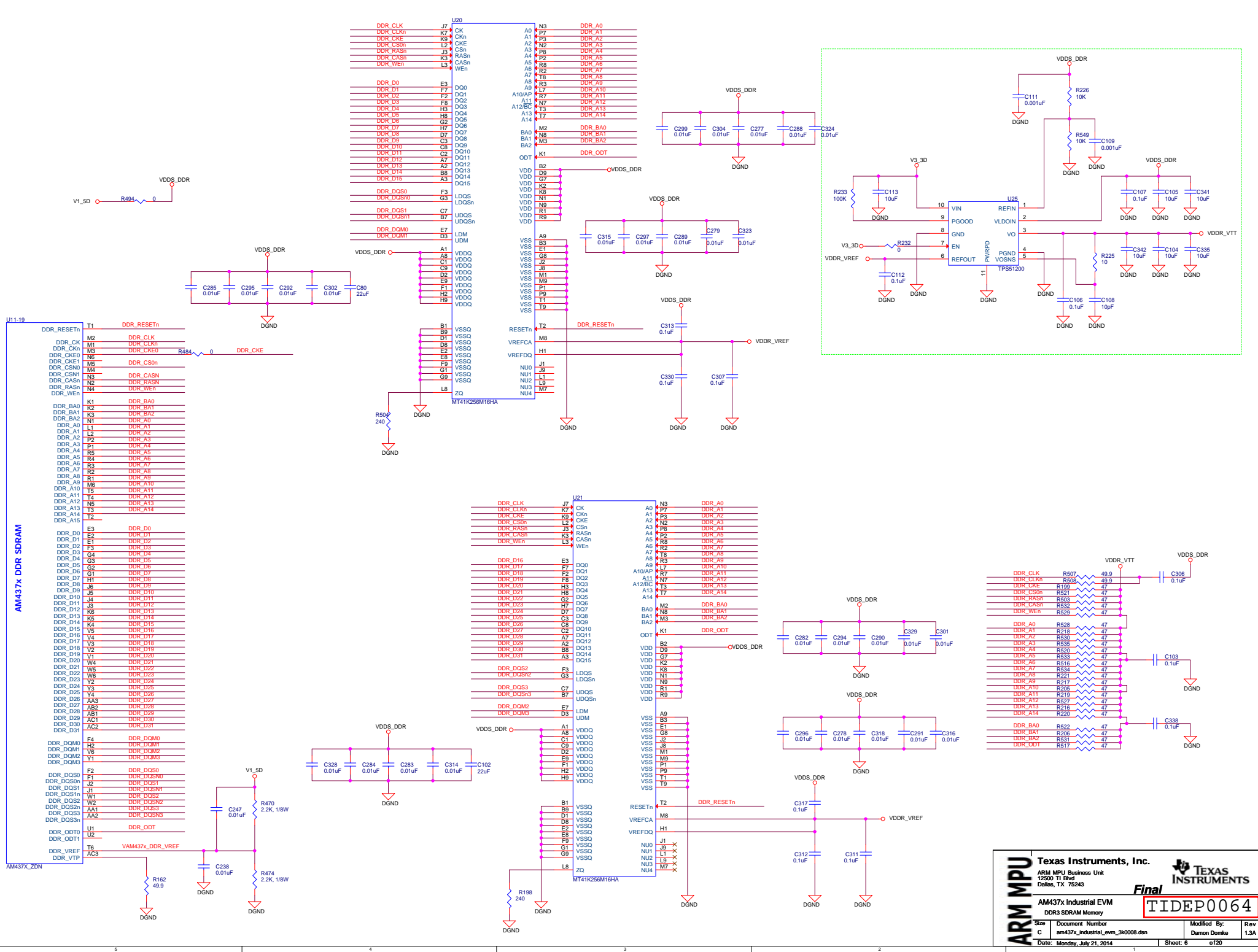
ARM MPU **Final**

AM437x Industrial EVM **TIDEP0064**

Power

Size	Document Number	Modified By:	Rev
C	am437x_industrial_ewm_3k0008.dsn	Damon Domke	1.3A

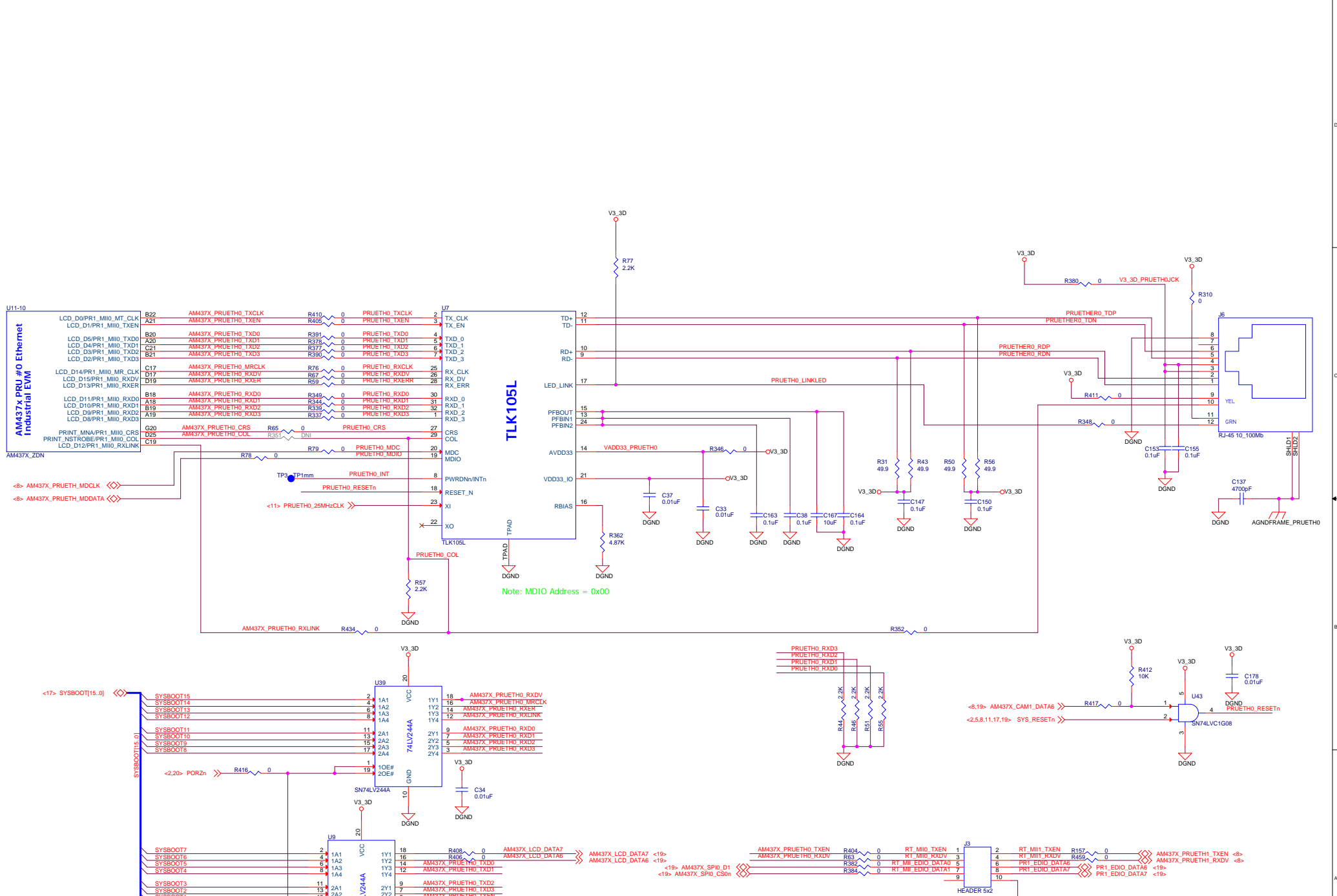
Date: Thursday, July 31, 2014 Sheet: 4 of 20



AM437x DDR SDRAM

ARM MPU	Texas Instruments, Inc.		TEXAS INSTRUMENTS
	ARM MPU Business Unit 12500 TI Blvd Dallas, TX 75243		
	AM437x Industrial EVM DDR3 SDRAM Memory		TIDEP0064
	Size: C	Document Number: am437x_industrial_evm_3k0008.dsn	Modified By: Damon Domke

Date: Monday, July 21, 2014 Sheet: 6 of 20



TLK105L

Note: MDIO Address = 0x00

ARM MPU Texas Instruments, Inc. **TEXAS INSTRUMENTS**

ARM MPU Business Unit
 12500 TI Blvd
 Dallas, TX 75243

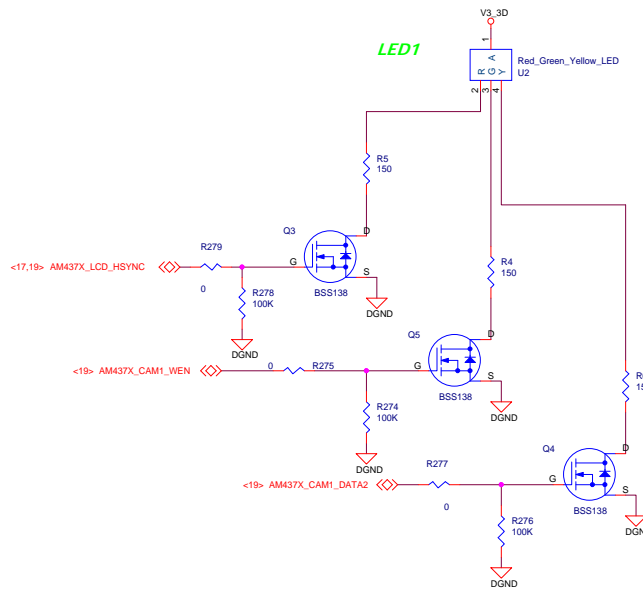
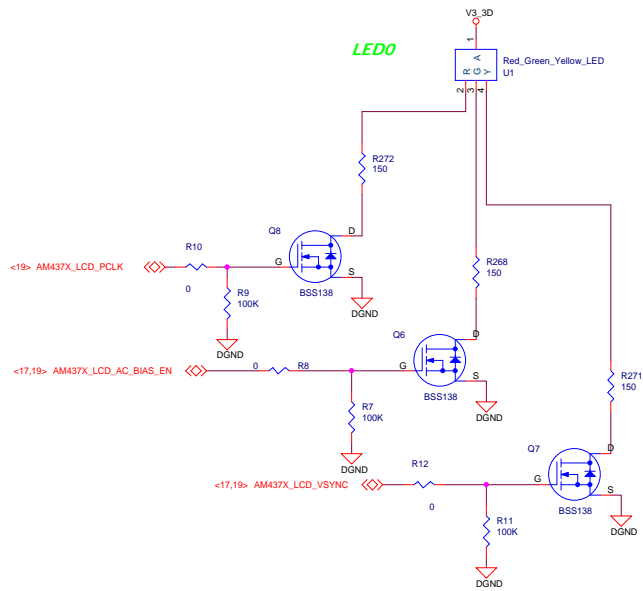
Final

AM437x Industrial EVM **TIDEP0064**

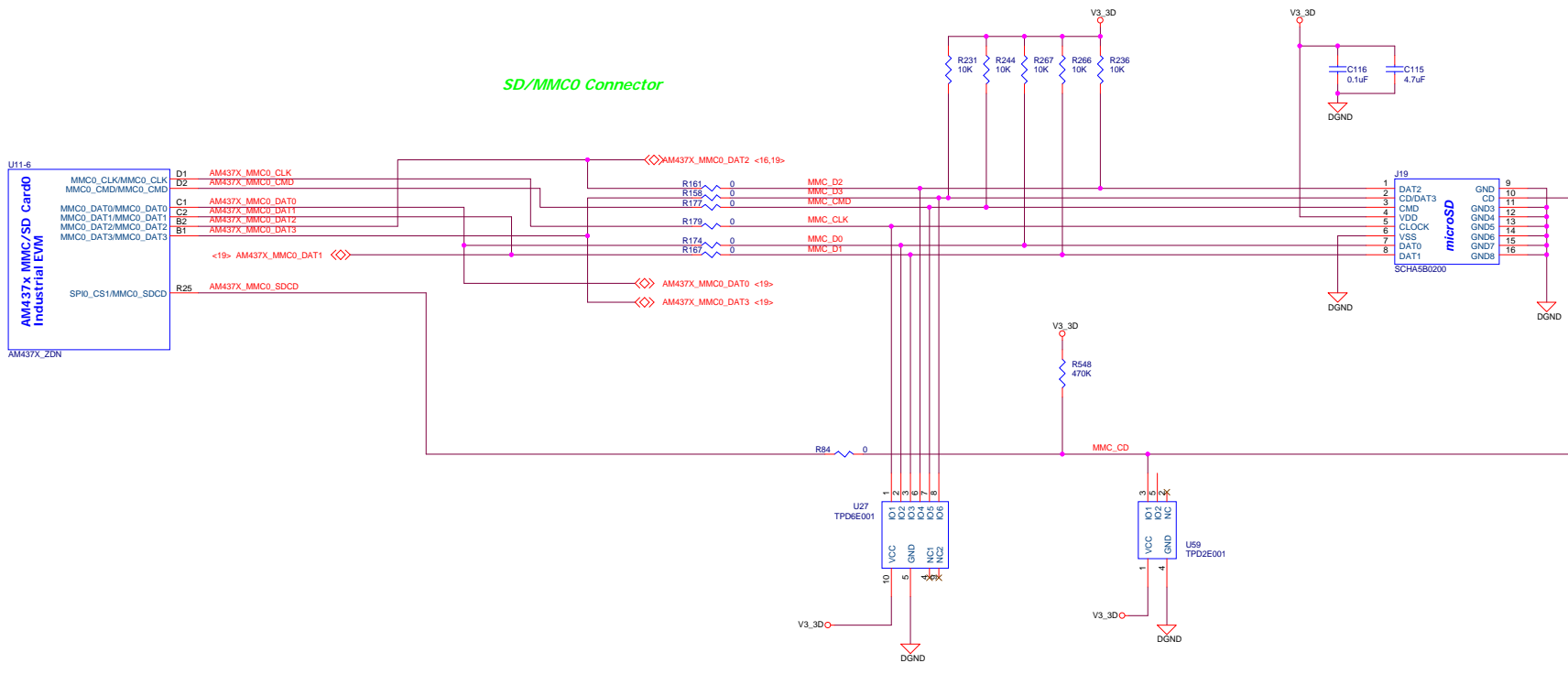
ICSS #0 Ethernet

Size	Document Number	Modified By:	Rev
C	am437x_industrial_evm_3k0008.dsn	Damon Domke	1.3A

Date: Friday, August 08, 2014 Sheet: 7 of 20



ARM MPU	Texas Instruments, Inc.			
	ARM MPU Business Unit 12500 TI Blvd Dallas, TX 75243			
	AM437x Industrial EVM			TIDEP0064
	EtherCAT			
Size	Document Number	Modified By:	Rev	
C	am437x_industrial_ewm_3k0008.dsn	Damon Domke	1.3A	
Date: Monday, July 21, 2014			Sheet: 9 of 20	



U11-6
AM437x MMC/SD Card
 Industrial EVM

MMC0_CLK/MMC0_CLK
 MMC0_CMD/MMC0_CMD
 MMC0_DAT0/MMC0_DAT0
 MMC0_DAT1/MMC0_DAT1
 MMC0_DAT2/MMC0_DAT2
 MMC0_DAT3/MMC0_DAT3
 SPI0_CS1/MMC0_SDCD
 AM437X_ZDN

defaultbuild

ARM MPU

Texas Instruments, Inc.
 ARM MPU Business Unit
 12500 TI Blvd
 Dallas, TX 75243

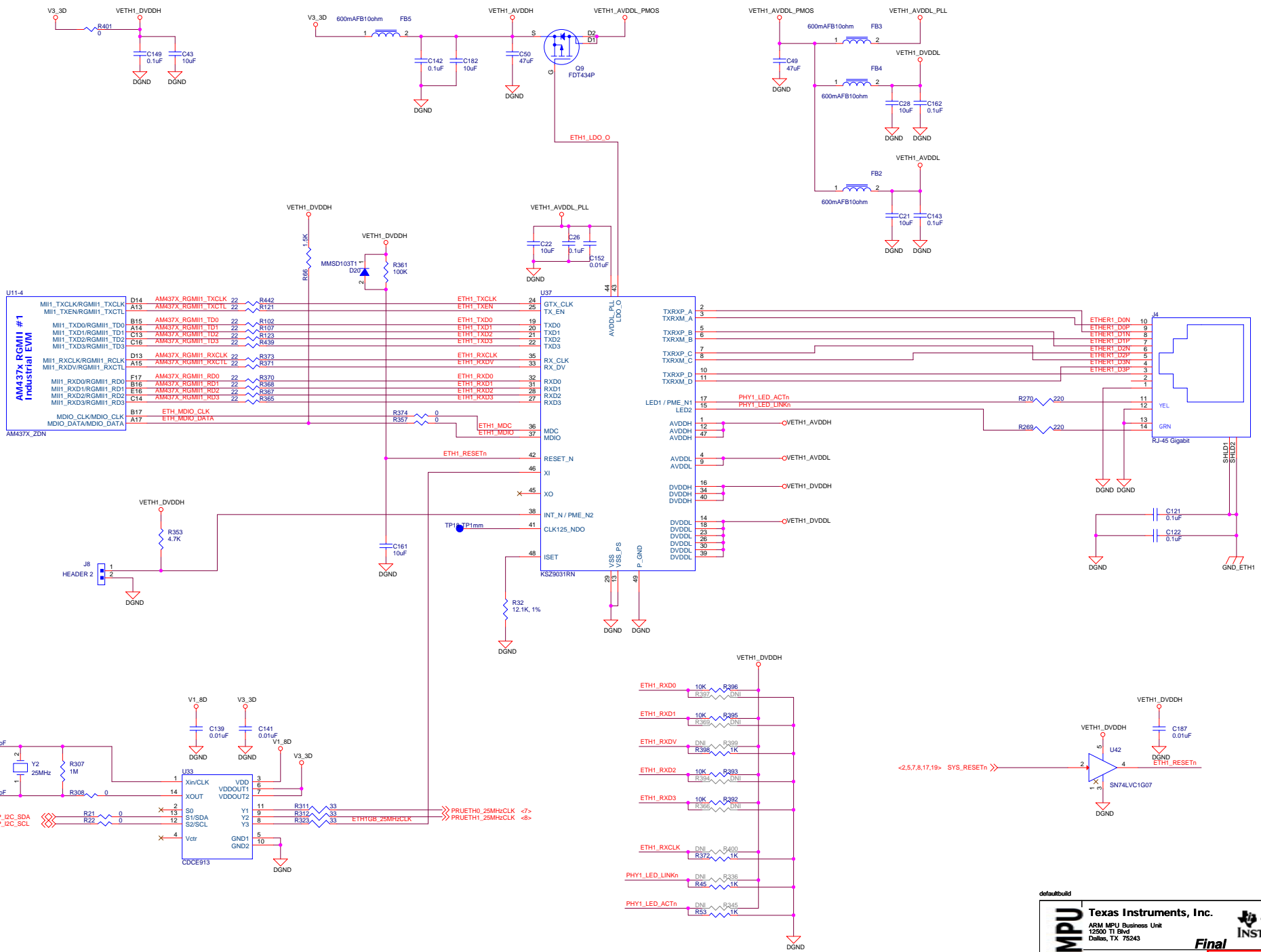
TEXAS INSTRUMENTS

Final

AM437x Industrial EVM
 SD/MMC #0 Interface

TIDEP0064

Size	Document Number	Modified By:	Rev
C	am437x_industrial_ewm_3k0008.dsn	Damon Domke	1.3A
Date:	Monday, July 21, 2014	Sheet:	10 of 20



defaultbuild

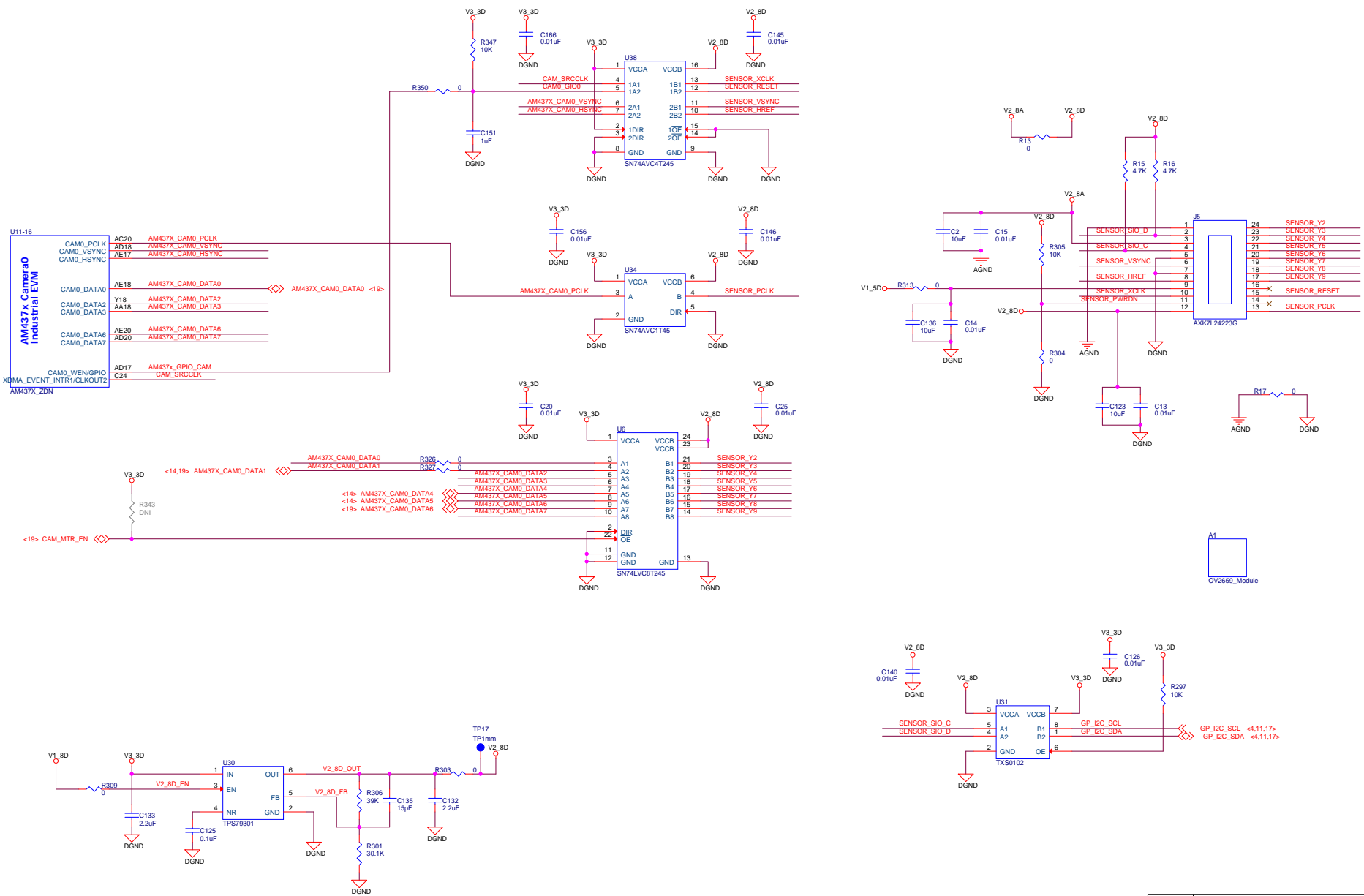
ARM MPU Texas Instruments, Inc. **TEXAS INSTRUMENTS**

ARM MPU Business Unit
12500 TI Blvd
Dallas, TX 75243

Final

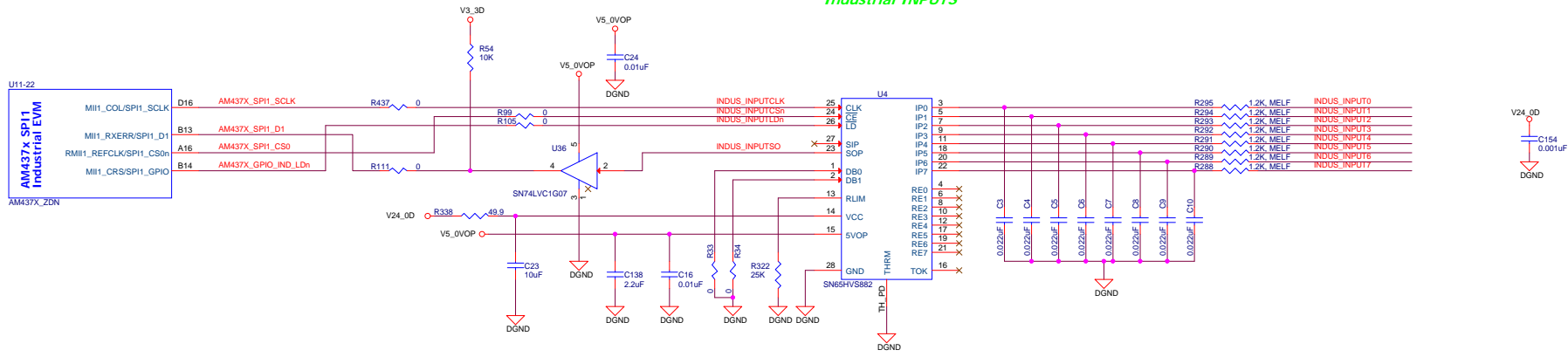
AM437x Industrial EVM **TIDE0064**
Gigabit Ethernet #1

Size	Document Number	Modified By:	Rev
C	am437x_industrial_ewm_3k0008.dsn	Damon Domke	1.3A
Date:	Monday, July 21, 2014	Sheet:	11 of 20

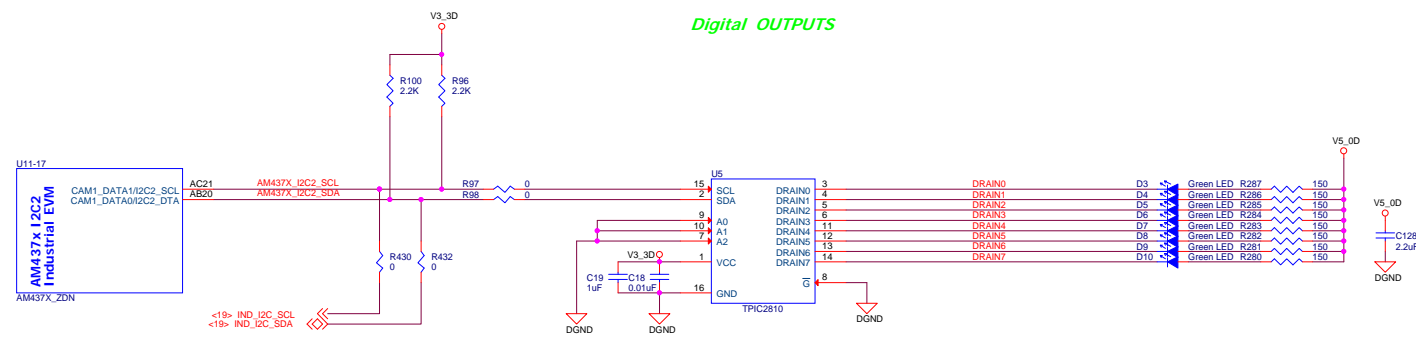


ARM MPU	Texas Instruments, Inc.		TEXAS INSTRUMENTS
	ARM MPU Business Unit 12500 TI Blvd Dallas, TX 75243		
	AM437x Industrial EVM		TIDEP0064
	Camera #0		
Size	Document Number	Modified By:	Rev
C	am437x_industrial_ewm_3k0008.dsn	Damon Domke	1.3A
Date: Friday, August 08, 2014		Sheet: 12 of 20	

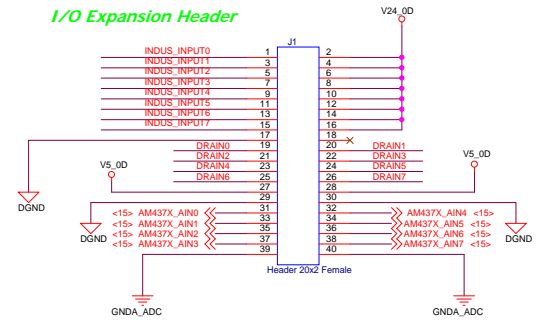
Industrial INPUTS



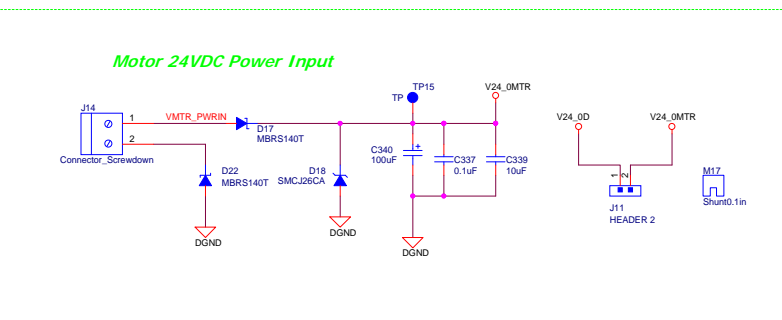
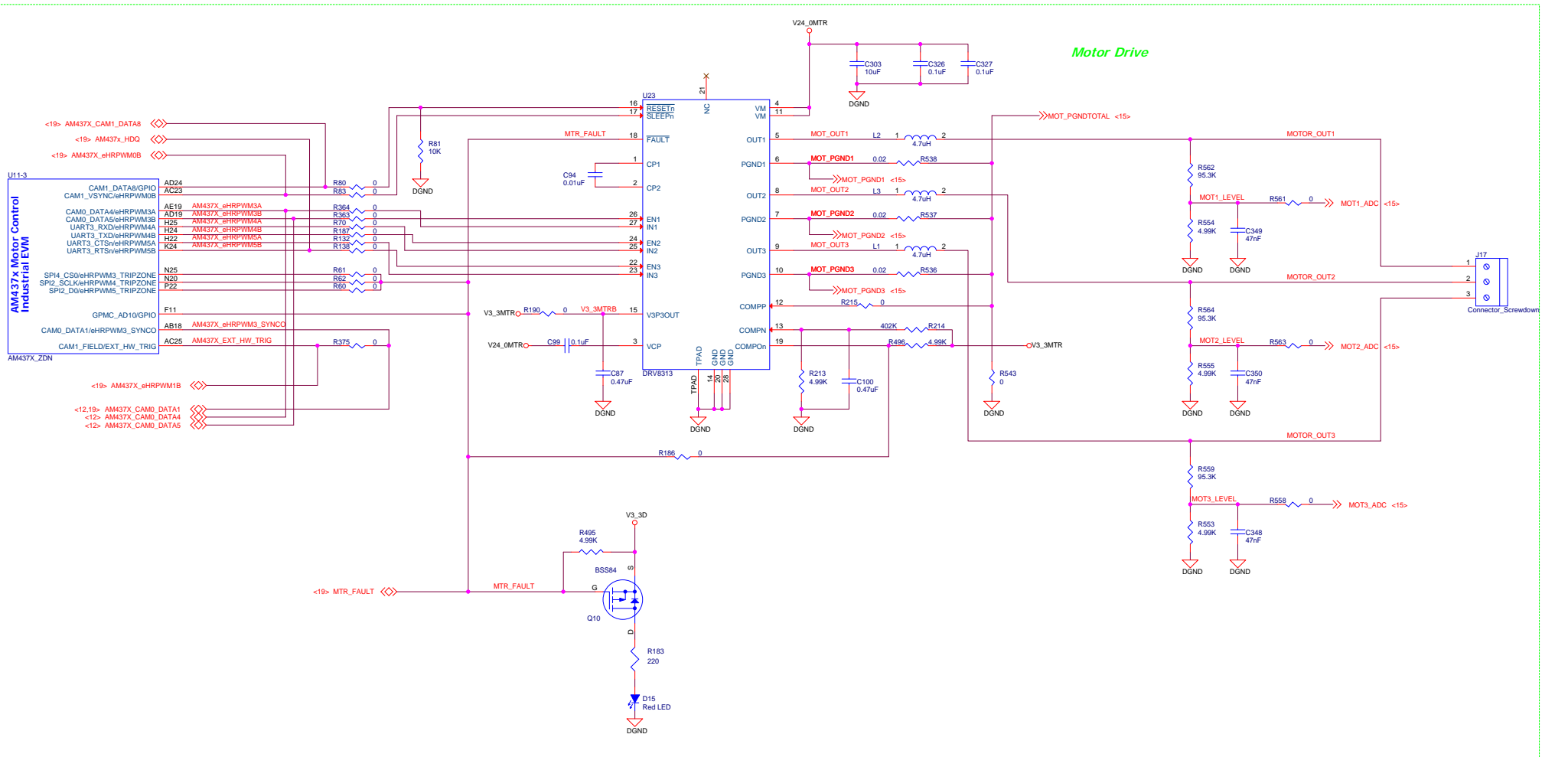
Digital OUTPUTS



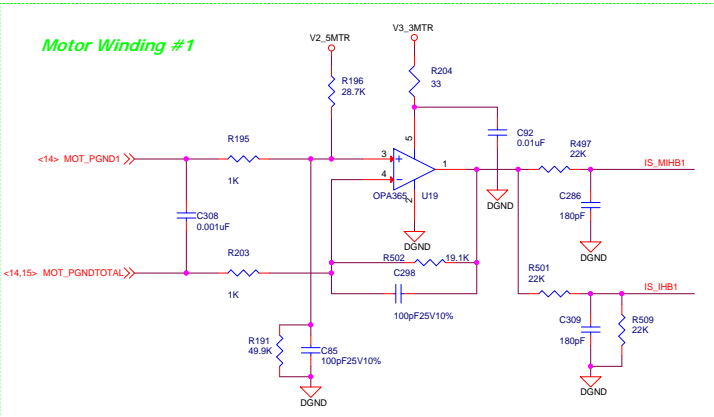
I/O Expansion Header



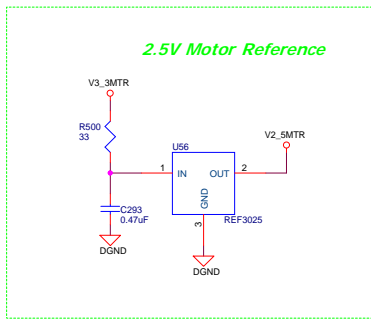
ARM MPU	Texas Instruments, Inc.		
	ARM MPU Business Unit 12500 TI Blvd Dallas, TX 75243		
	AM437x Industrial EVM		TIDEP0064
	Industrial I/O		
Size	Document Number	Modified By:	Rev
C	am437x_industrial_ewm_3k0008.dsn	Damon Domke	1.3A
Date: Friday, August 08, 2014		Sheet: 13 of 20	



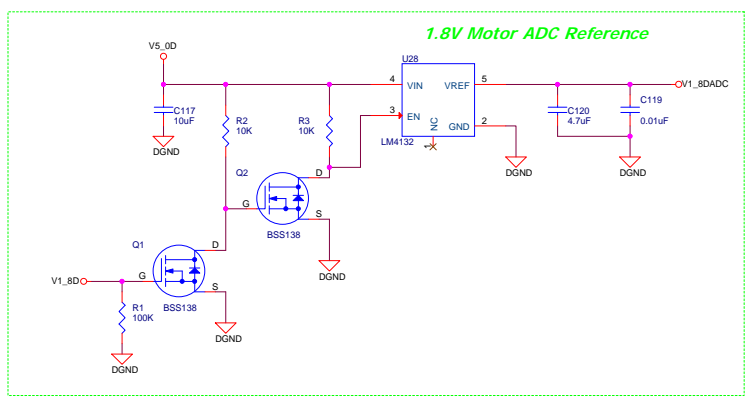
Motor Winding #1



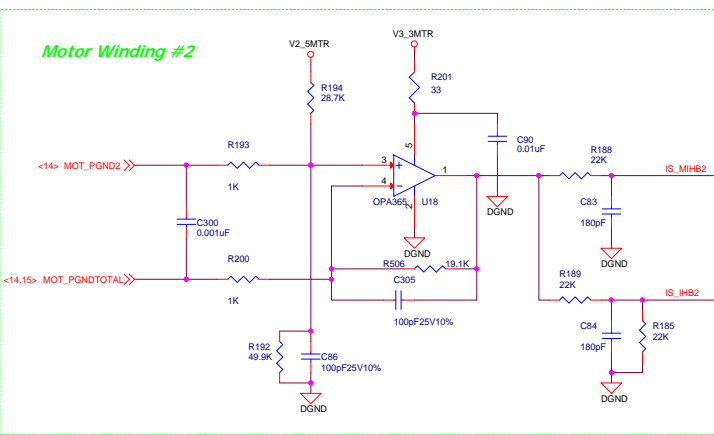
2.5V Motor Reference



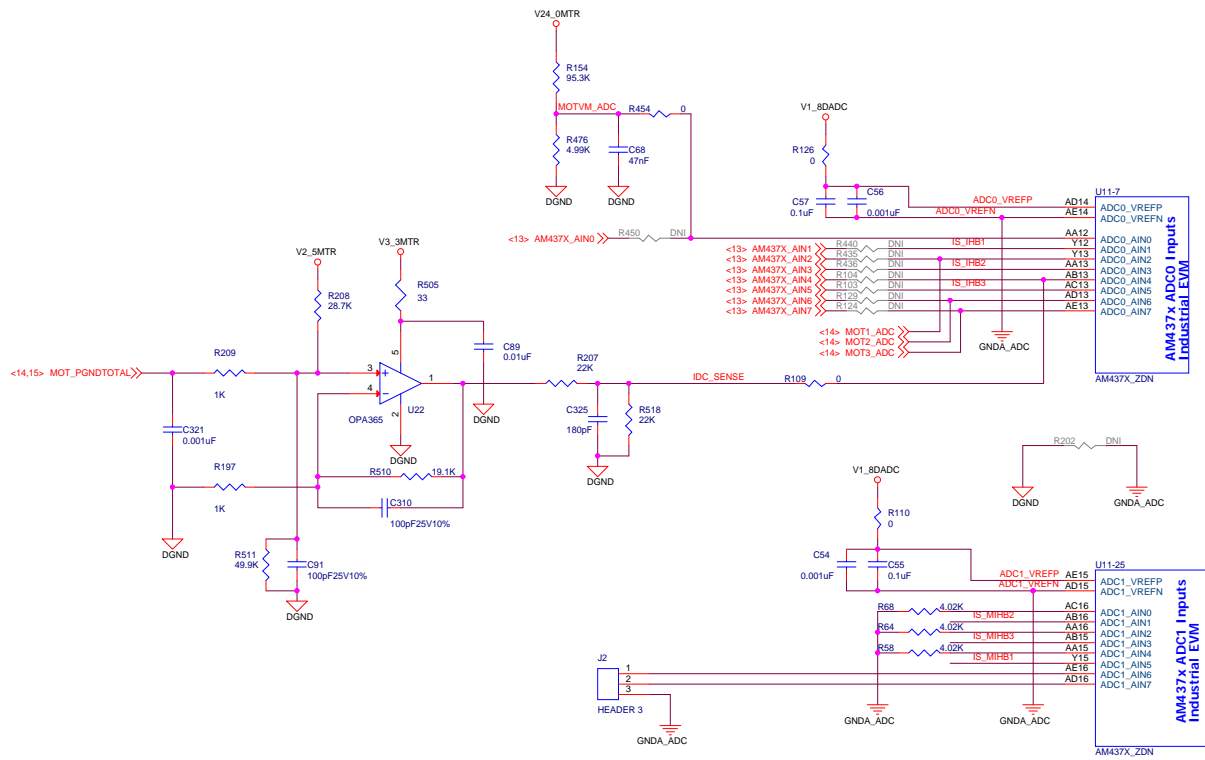
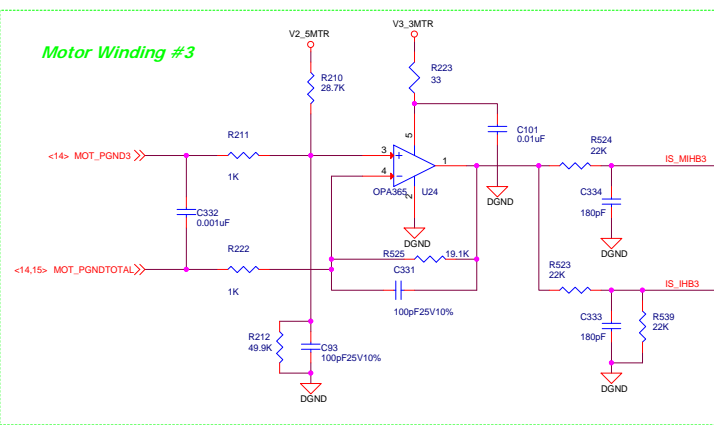
1.8V Motor ADC Reference



Motor Winding #2



Motor Winding #3



ARM MPU Texas Instruments, Inc.
 ARM MPU Business Unit
 12500 TI Blvd
 Dallas, TX 75243

TEXAS INSTRUMENTS

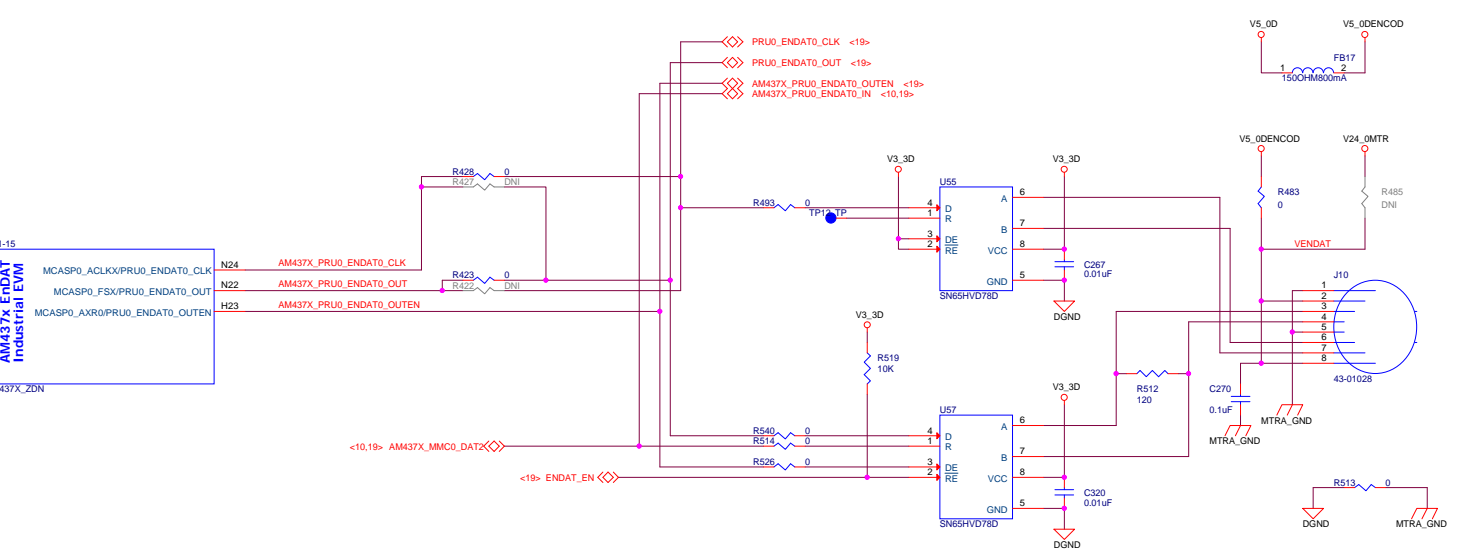
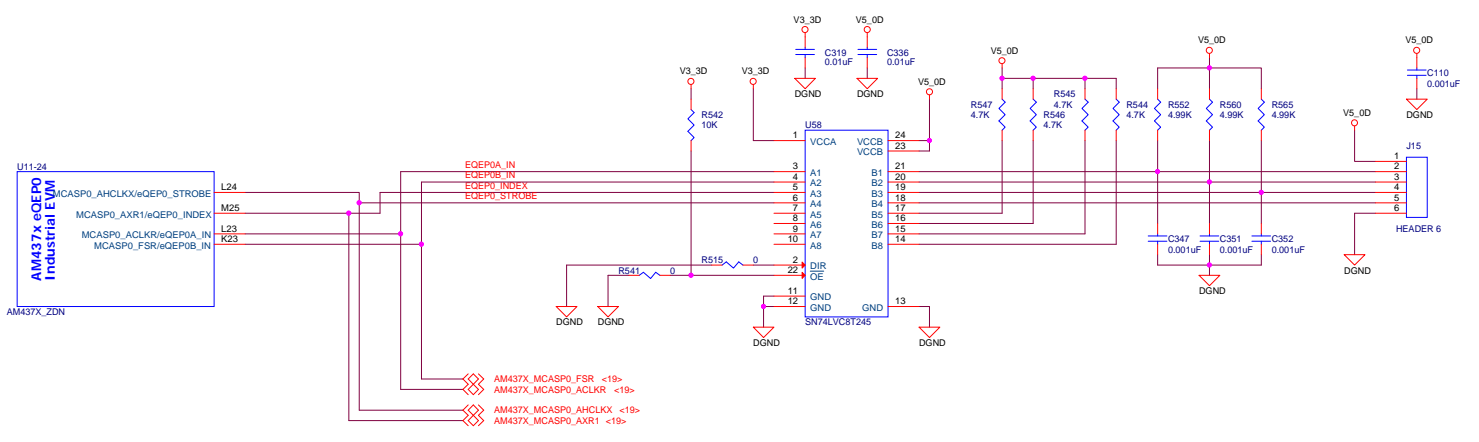
Final

AM437x Industrial EVM
 Motor Sense


TIDEP0064

Size	Document Number	Modified By:	Rev
C	am437x_industrial_ewm_3k0008.dsn	Damon Domke	1.3A

Date: Friday, August 08, 2014 Sheet: 15 of 20



defaultbuild

ARM MPU **Texas Instruments, Inc.** 

ARM MPU Business Unit
12500 TI Blvd
Dallas, TX 75243

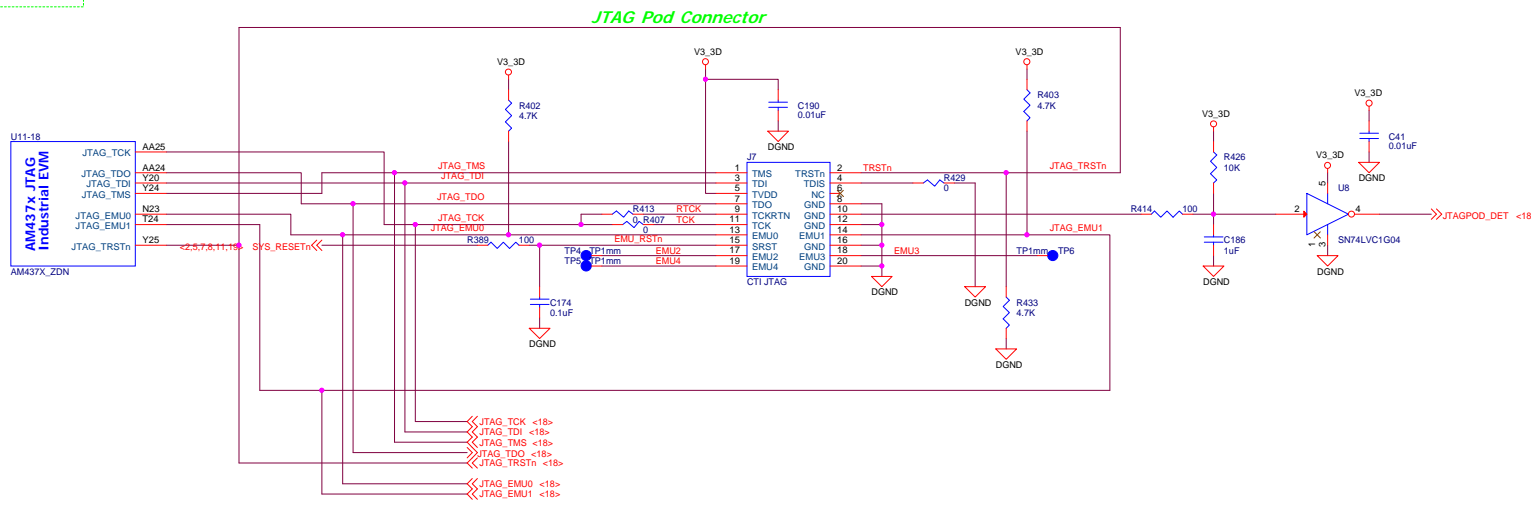
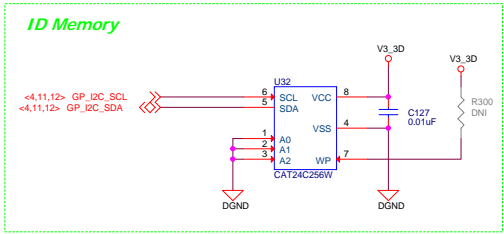
Final

AM437x Industrial EVM
Motor Encoders QEP and EndAT

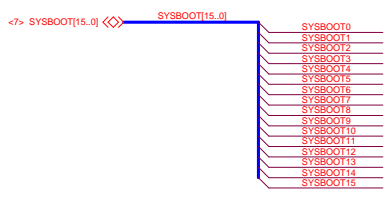
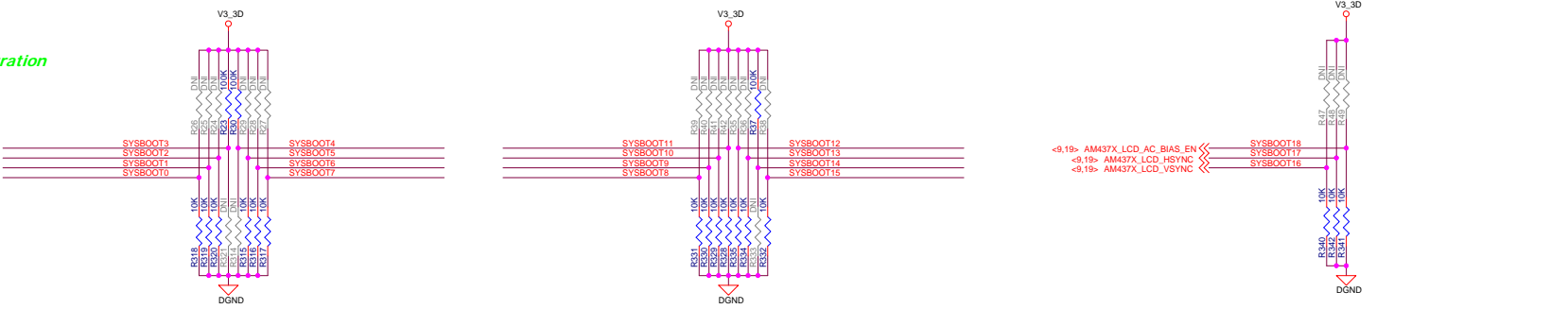
TIDEP0064

Size	Document Number	Modified By:	Rev
C	am437x_industrial_evm_3k0008.dsn	Damon Domke	1.3A

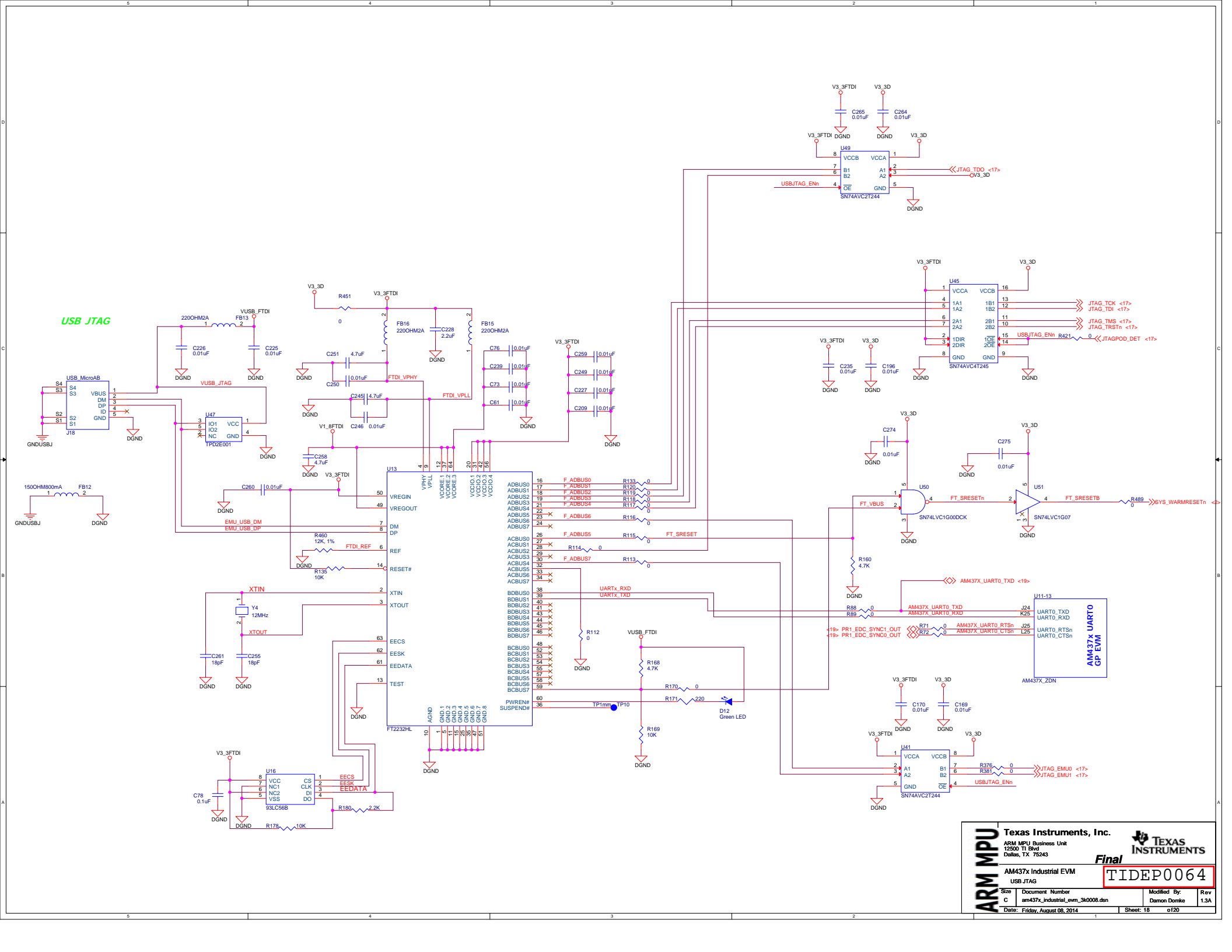
Date: Friday, August 08, 2014 Sheet: 16 of 20



Boot Configuration



ARM MPU	Texas Instruments, Inc.		TEXAS INSTRUMENTS
	ARM MPU Business Unit 12500 TI Blvd Dallas, TX 75243		
	AM437x Industrial EVM		TIDEP0064
	Debug/Configuration		
Size	Document Number	Modified By:	Rev
C	am437x_industrial_ewm_3k0008.dsn	Damon Domke	1.3A
Date: Friday, August 08, 2014		Sheet: 17 of 20	



USB JTAG

ARM MPU Texas Instruments, Inc. ARM MPU Business Unit
 12500 TI Blvd
 Dallas, TX 75243

Final

AM437x Industrial EVM
 USB JTAG **TIDEP0064**

Size	Document Number	Modified By:	Rev
C	am437x_industrial_ewm_3k0008.dsn	Damon Domke	1.3A

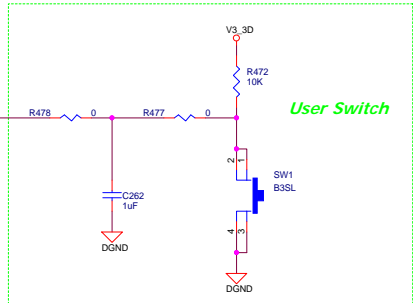
Date: Friday, August 08, 2014 Sheet: 18 of 20

U11-23
 AE11 XI_32K
 AE12 NO_SOK
 AE10 PMU_PORZ
 AE7 EXT_WAKEUP1
 AE8 PMIC_POWER_EN1
 AD1 PMU_HB2
 AD2 TEMP_DIODE_P
 AD1 TEMP_DIODE_N
 AB6 TAMPER_EVENT
 W25 USB0_DP
 W24 USB0_DM
 U24 USB0_CE
 U23 USB0_ID
 U21 USB0_VBUS
 U20 USB0_DRVVBUS
 V24 USB1_DP
 V25 USB1_DM
 U25 USB1_CE
 T25 USB1_ID
 U25 USB1_VBUS
 F25 USB1_DRVVBUS
 AC12 RSV_AC12
 AC10 RSV_AC10
 AB10 RSV_AB10
 AA10 RSV_AA10
 AA9 RSV_AA9
 AC9 RSV_Y10
 Y10 RSV_A09
 AA7 RSV_Y7
 AC6 RSV_AA7
 AC5 RSV_A06
 AB7 RSV_AC5
 RSV_AB7
 AD10 RSV_AD10
 AD11 RSV_AD11
 AB9 RSV_AB9
 W10 RSV_W10
 AC7 RSV_W10
 Y6 RSV_AC7
 AE9 RSV_Y6
 AE9 RSV_AE9
 HT9 RSV_H19

AM437x GPIO & Unused Pins Industrial EVM

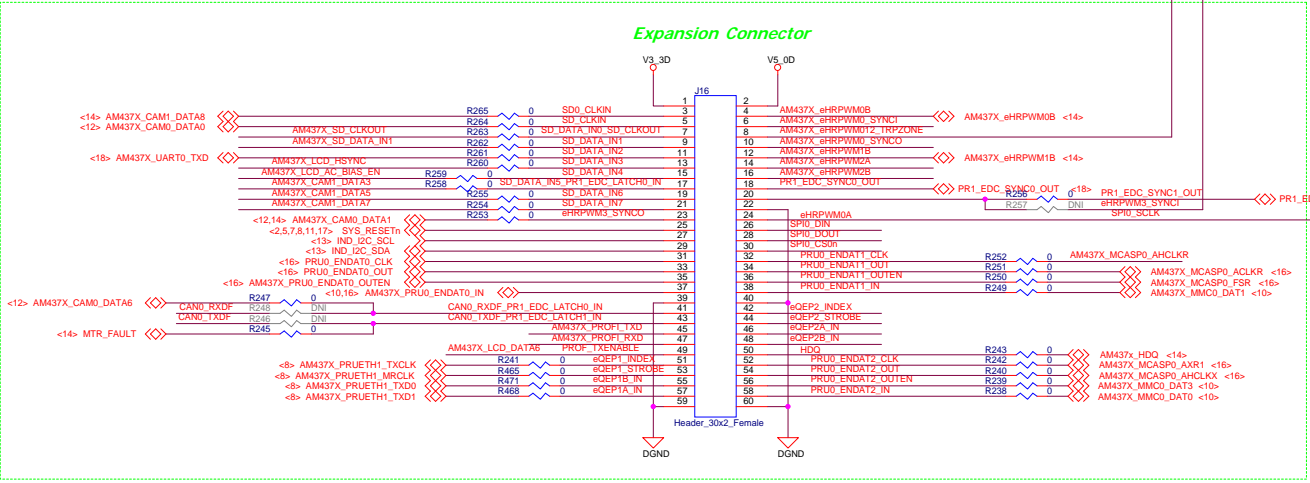
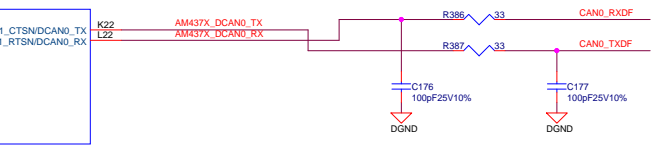
CAM0_FIELD
 CAM1_WEN
 CAM1_DATA2
 CAM1_DATA3
 CAM1_DATA4
 CAM1_DATA5
 CAM1_DATA6
 CAM1_DATA7
 CAM1_DATA9
 LCD_D6
 LCD_D7
 LCD_PCLK
 LCD_VSYNC
 LCD_HSYNC
 LCD_AC_BIAS_EN
 GPIO5_9
 GPIO5_12
 CAM1_HS_VNC/SD_DATA_IN0
 CAM1_PCLK/SD_DATA_IN1
 SPI4_SCLK/eHRPWM0_SYNC1
 SPI4_D1/eHRPWM0_TRIPZONE_J
 GPMC_AD11/eHRPWM0_SYNC0
 SPI2_CS0
 SPI4_D0
 ECAPO_IN_PWM0_OUT
 MCASP0_AHCLKR
 GPMC_AD0
 GPMC_AD1
 GPMC_AD2
 GPMC_AD3
 GPMC_AD4
 GPMC_AD5
 GPMC_AD6
 GPMC_AD7
 GPMC_AD8/eHRPWM2A
 GPMC_AD9/eHRPWM2B
 GPMC_CS_N1/PR1_EDIO_DATA6
 GPMC_CS_N2/PR1_EDIO_DATA7
 GPMC_WAIT0
 CAM0_DATA8
 CAM0_DATA9
 AC18
 AB25
 AD21
 AE22
 AD22
 AE23
 AD24
 AC24
 C20
 E19
 B23
 A23
 A24
 F24
 E25
 AD25
 AE21
 P25
 P24
 D11
 P20
 T23
 R24
 G24
 M24
 B6
 A5
 B6
 A6
 B7
 A7
 C8
 B8
 B10
 A10
 B9
 F10
 A2
 AB19
 AA19
 AM437X_CAM1_WEN <-8>
 AM437X_CAM1_DATA2 <-8>
 AM437X_CAM1_DATA3
 AM437X_CAM1_DATA5
 AM437X_CAM1_DATA6 <-7,8>
 AM437X_LCD_DATA6 <-7>
 AM437X_LCD_DATA7 <-7>
 AM437X_LCD_VSYNC
 AM437X_LCD_PCLK <-8>
 AM437X_LCD_HSYNC <-9,17>
 AM437X_LCD_AC_BIAS_EN <-9,17>
 ENDAT_EN <-16>
 AM437X_SD_CLKOUT
 AM437X_SD_DATA_IN1
 AM437X_eHRPWM0_SYNC1
 AM437X_eHRPWM0_SYNC0
 AM437X_eHRPWM0_SYNC1
 AM437X_eHRPWM0_SYNC0
 SYNC1
 AM437X_MCASP0_AHCLKR
 AM437X_MCASP0_AHCLKR
 AM437X_eHRPWM2A
 AM437X_eHRPWM2B
 PR1_EDIO_DATA6 <-7>
 PR1_EDIO_DATA7 <-7>
 CAM_MTR_EN <-12>
 CAM_MTR_EN <-12>

AM437X_ZDN

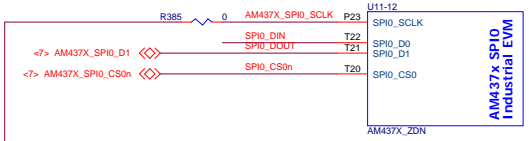


User Switch

U11-14
 AM437x DCAN0 Industrial EVM
 AM437X_ZDN

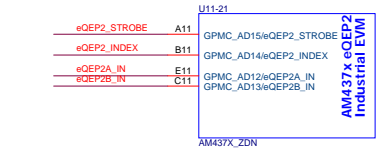


Expansion Connector



U11-12
 AM437x SPI0 Industrial EVM
 AM437X_ZDN

U11-9
 AM437x ProfIBus Industrial EVM
 AM437X_ZDN



U11-21
 AM437x eQEP2 Industrial EVM
 AM437X_ZDN

ARM MPU Texas Instruments, Inc. ARM MPU Business Unit 12500 TI Blvd Dallas, TX 75243

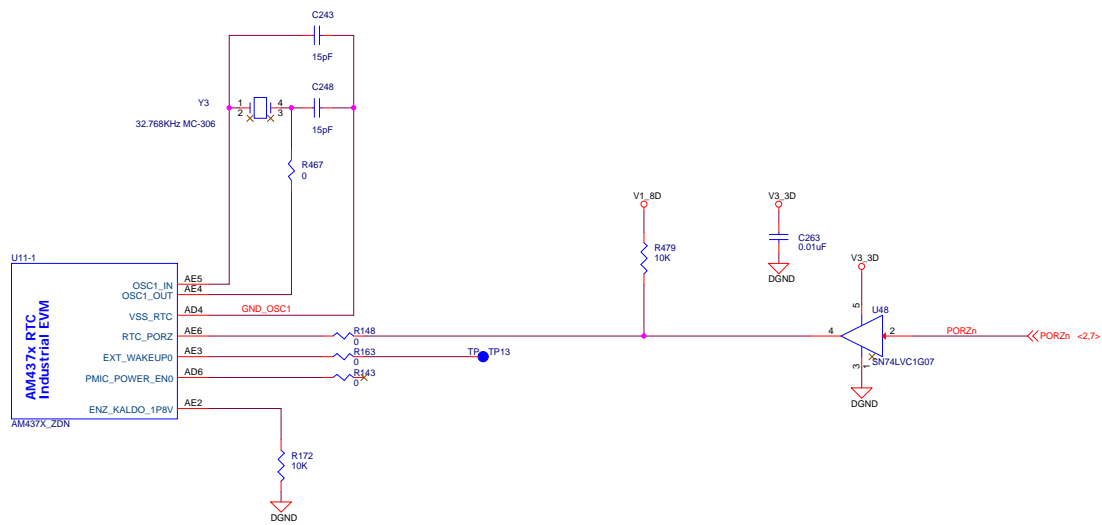
TEXAS INSTRUMENTS

Final

AM437x Industrial EVM Expansion **TIDEP0064**

Size	Document Number	Modified By:	Rev
C	am437x_industrial_ewm_3k0008.dsn	Damon Domke	1.3A

Date: Friday, August 08, 2014 Sheet: 19 of 20



IMPORTANT NOTICE FOR TI REFERENCE DESIGNS

Texas Instruments Incorporated ("TI") reference designs are solely intended to assist designers ("Designer(s)") who are developing systems that incorporate TI products. TI has not conducted any testing other than that specifically described in the published documentation for a particular reference design.

TI's provision of reference designs and any other technical, applications or design advice, quality characterization, reliability data or other information or services does not expand or otherwise alter TI's applicable published warranties or warranty disclaimers for TI products, and no additional obligations or liabilities arise from TI providing such reference designs or other items.

TI reserves the right to make corrections, enhancements, improvements and other changes to its reference designs and other items.

Designer understands and agrees that Designer remains responsible for using its independent analysis, evaluation and judgment in designing Designer's systems and products, and has full and exclusive responsibility to assure the safety of its products and compliance of its products (and of all TI products used in or for such Designer's products) with all applicable regulations, laws and other applicable requirements. Designer represents that, with respect to its applications, it has all the necessary expertise to create and implement safeguards that (1) anticipate dangerous consequences of failures, (2) monitor failures and their consequences, and (3) lessen the likelihood of failures that might cause harm and take appropriate actions. Designer agrees that prior to using or distributing any systems that include TI products, Designer will thoroughly test such systems and the functionality of such TI products as used in such systems. Designer may not use any TI products in life-critical medical equipment unless authorized officers of the parties have executed a special contract specifically governing such use. Life-critical medical equipment is medical equipment where failure of such equipment would cause serious bodily injury or death (e.g., life support, pacemakers, defibrillators, heart pumps, neurostimulators, and implantables). Such equipment includes, without limitation, all medical devices identified by the U.S. Food and Drug Administration as Class III devices and equivalent classifications outside the U.S.

Designers are authorized to use, copy and modify any individual TI reference design only in connection with the development of end products that include the TI product(s) identified in that reference design. HOWEVER, NO OTHER LICENSE, EXPRESS OR IMPLIED, BY ESTOPPEL OR OTHERWISE TO ANY OTHER TI INTELLECTUAL PROPERTY RIGHT, AND NO LICENSE TO ANY TECHNOLOGY OR INTELLECTUAL PROPERTY RIGHT OF TI OR ANY THIRD PARTY IS GRANTED HEREIN, including but not limited to any patent right, copyright, mask work right, or other intellectual property right relating to any combination, machine, or process in which TI products or services are used. Information published by TI regarding third-party products or services does not constitute a license to use such products or services, or a warranty or endorsement thereof. Use of the reference design or other items described above may require a license from a third party under the patents or other intellectual property of the third party, or a license from TI under the patents or other intellectual property of TI.

TI REFERENCE DESIGNS AND OTHER ITEMS DESCRIBED ABOVE ARE PROVIDED "AS IS" AND WITH ALL FAULTS. TI DISCLAIMS ALL OTHER WARRANTIES OR REPRESENTATIONS, EXPRESS OR IMPLIED, REGARDING THE REFERENCE DESIGNS OR USE OF THE REFERENCE DESIGNS, INCLUDING BUT NOT LIMITED TO ACCURACY OR COMPLETENESS, TITLE, ANY EPIDEMIC FAILURE WARRANTY AND ANY IMPLIED WARRANTIES OF MERCHANTABILITY, FITNESS FOR A PARTICULAR PURPOSE, AND NON-INFRINGEMENT OF ANY THIRD PARTY INTELLECTUAL PROPERTY RIGHTS.

TI SHALL NOT BE LIABLE FOR AND SHALL NOT DEFEND OR INDEMNIFY DESIGNERS AGAINST ANY CLAIM, INCLUDING BUT NOT LIMITED TO ANY INFRINGEMENT CLAIM THAT RELATES TO OR IS BASED ON ANY COMBINATION OF PRODUCTS AS DESCRIBED IN A TI REFERENCE DESIGN OR OTHERWISE. IN NO EVENT SHALL TI BE LIABLE FOR ANY ACTUAL, DIRECT, SPECIAL, COLLATERAL, INDIRECT, PUNITIVE, INCIDENTAL, CONSEQUENTIAL OR EXEMPLARY DAMAGES IN CONNECTION WITH OR ARISING OUT OF THE REFERENCE DESIGNS OR USE OF THE REFERENCE DESIGNS, AND REGARDLESS OF WHETHER TI HAS BEEN ADVISED OF THE POSSIBILITY OF SUCH DAMAGES.

TI's standard terms of sale for semiconductor products (<http://www.ti.com/sc/docs/stdterms.htm>) apply to the sale of packaged integrated circuit products. Additional terms may apply to the use or sale of other types of TI products and services.

Designer will fully indemnify TI and its representatives against any damages, costs, losses, and/or liabilities arising out of Designer's non-compliance with the terms and provisions of this Notice.

Mailing Address: Texas Instruments, Post Office Box 655303, Dallas, Texas 75265
Copyright © 2016, Texas Instruments Incorporated