

# BQ2945xy 2 直列および 3 直列セル・リチウムイオン・バッテリー向け過電圧保護

## 1 特長

- 2 次保護向けの 2 直列セルおよび 3 直列セル過電圧モニタ
- 固定プログラマブル遅延タイム
- 固定 OVP スレッシュホールド
  - 利用可能レンジ: 3.85V ~ 4.6V
- 固定 OVP 遅延の選択肢: 4 秒または 6.5 秒
- 高精度の過電圧保護:  $\pm 10\text{mV}$
- 低消費電力  $I_{CC} \approx 1\mu\text{A}$   
( $V_{CELL(ALL)} < V_{PROTECT}$ )
- セル入力あたりのリーク電流が低い: 100nA 未満
- 小さいパッケージ占有面積
  - 6 ピン SON

## 2 アプリケーション

- 以下に使うリチウムイオン・バッテリー・パックの 2 次保護機能
  - タブレット
  - スレート PC
  - 電動工具
  - ノート PC
  - 携帯型機器および計測器

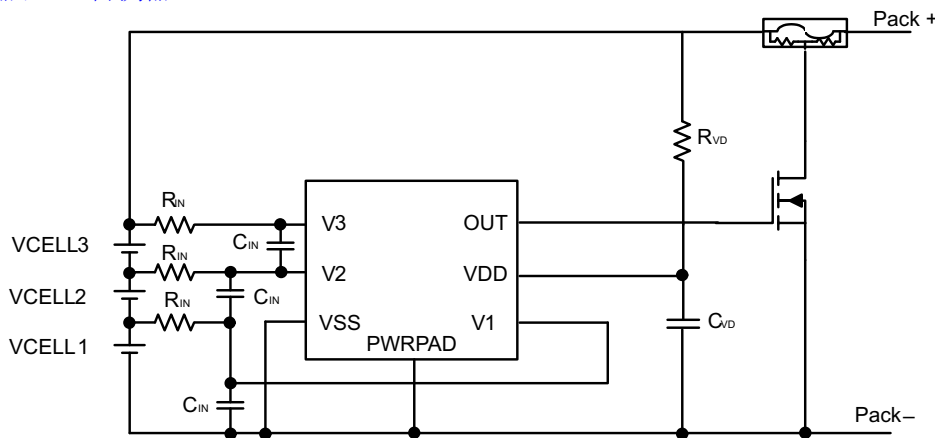
## 3 概要

BQ2945xy 製品ファミリーは、リチウムイオン・バッテリー・パック・システムに最適な 2 次側電圧モニタ/プロテクタです。各セルの過電圧状況を個別に監視できます。構成に基づき、2 セルまたは 3 セルのいずれかに過電圧条件が発生した場合、固定遅延の後に出力がトリガされます。過電圧条件が指定済み遅延タイムを満たした後、この出力は HIGH 状態にトリガされます。

### 製品情報

部品番号 <sup>(1)</sup>	パッケージ	本体サイズ (公称)
BQ2945xy	SON (6)	2.00mm × 2.00mm

- (1) 利用可能なパッケージについては、このデータシートの末尾にある注文情報を参照してください。



Copyright © 2017, Texas Instruments Incorporated

概略回路図



## Table of Contents

<b>1 特長</b> .....	<b>1</b>	<b>9 Application and Implementation</b> .....	<b>10</b>
<b>2 アプリケーション</b> .....	<b>1</b>	9.1 Application Information.....	10
<b>3 概要</b> .....	<b>1</b>	9.2 Typical Application.....	10
<b>4 Revision History</b> .....	<b>2</b>	9.3 System Examples.....	11
<b>5 Device Comparison Table</b> .....	<b>3</b>	<b>10 Power Supply Recommendations</b> .....	<b>12</b>
<b>6 Pin Configuration and Functions</b> .....	<b>3</b>	<b>11 Layout</b> .....	<b>12</b>
<b>7 Specifications</b> .....	<b>4</b>	11.1 Layout Guidelines.....	12
7.1 Absolute Maximum Ratings.....	4	11.2 Layout Example.....	12
7.2 ESD Ratings.....	4	<b>12 Device and Documentation Support</b> .....	<b>13</b>
7.3 Recommended Operating Conditions.....	4	12.1 Device Support.....	13
7.4 Thermal Information.....	4	12.2 Related Documentation.....	13
7.5 Electrical Characteristics.....	5	12.3 Receiving Notification of Documentation Updates..	13
7.6 Typical Characteristics.....	6	12.4 サポート・リソース.....	13
<b>8 Detailed Description</b> .....	<b>7</b>	12.5 Trademarks.....	13
8.1 Overview.....	7	12.6 Electrostatic Discharge Caution.....	13
8.2 Functional Block Diagram.....	7	12.7 Glossary.....	13
8.3 Feature Description.....	7	<b>13 Mechanical, Packaging, and Orderable</b>	
8.4 Device Functional Modes.....	8	<b>Information</b> .....	<b>13</b>

## 4 Revision History

資料番号末尾の英字は改訂を表しています。その改訂履歴は英語版に準じています。

<b>Changes from Revision J (June 2022) to Revision K (August 2022)</b>	<b>Page</b>
• Changed the BQ294534 device to Production Data.....	3
• Changed the BQ294534 device to Production Data in the <i>Electrical Characteristics</i> .....	5
<b>Changes from Revision I (May 2021) to Revision J (June 2022)</b>	<b>Page</b>
• Added the PRODUCT PREVIEW BQ294534 device.....	3
• Added the PRODUCT PREVIEW BQ294534 device to the <i>Electrical Characteristics</i> .....	5
<b>Changes from Revision H (December 2017) to Revision I (May 2021)</b>	<b>Page</b>
• Changed the BQ294506 device to Production Data.....	3
<b>Changes from Revision G (November 2017) to Revision H (December 2017)</b>	<b>Page</b>
• Added the BQ294506 device.....	3
• Added the BQ294506 device to the <i>Electrical Characteristics</i> .....	5

## 5 Device Comparison Table

T <sub>A</sub>	PART NUMBER	OVP (V)	DELAY TIME (s)
-40°C to +110°C	BQ294502	4.35	4
	BQ294504	4.35	6.5
	BQ294506	4.38	4
	BQ294512	4.4	4
	BQ294522	4.45	4
	BQ294524	4.45	6.5
	BQ294532	4.5	4
	BQ294533	4.5	6.5
	BQ294534	4.55	4
	BQ294582	4.225	4
BQ294592	4.3	4	

## 6 Pin Configuration and Functions

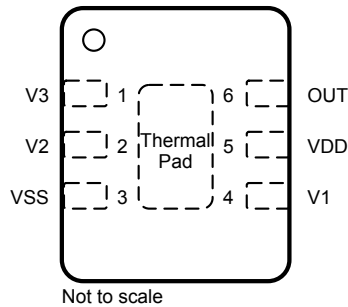


图 6-1. DRV Package 6-Pin SON Top View

表 6-1. Pin Functions

NUMBER	NAME	TYPE <sup>(1)</sup>	DESCRIPTION
1	V3	IA	Sense input for positive voltage of the third cell from the bottom of the stack.
2	V2	IA	Sense input for positive voltage of the second cell from the bottom of the stack.
3	VSS	P	Electrically connected to IC ground and negative terminal of the lowest cell in the stack.
4	V1	IA	Sense input for positive voltage of the lowest cell in the stack.
5	VDD	P	Power supply
6	OUT	OA <sup>1</sup>	Output drive for external N-channel FET.
—	PWRPAD	—	VSS pin to be connected to the PWRPAD on the printed-circuit-board (PCB) for proper operation.

(1) IA = Input Analog, OA = Output Analog, P = Power Connection

## 7 Specifications

### 7.1 Absolute Maximum Ratings

over operating free-air temperature range (unless otherwise noted)<sup>(1) (2)</sup>

		MIN	MAX	UNIT
Supply voltage	VDD–VSS	–0.3	30	V
Input voltage	V1–VSS or V2–VSS or V3–VSS+	–0.3	30	V
	V3–V2 or V2–V1	–0.3	8	V
Output voltage	OUT–VSS	–0.3	30	V
Continuous total power dissipation, P <sub>TOT</sub>		See <a href="#">セクション 7.4</a> .		
Lead temperature (soldering, 10 s), T <sub>SOLDER</sub>			300	°C
Storage temperature, T <sub>stg</sub>		–65	150	°C

- (1) Operation outside the Absolute Maximum Ratings may cause permanent device damage. Absolute Maximum Ratings do not imply functional operation of the device at these or any other conditions beyond those listed under Recommended Operating Conditions. If outside the Recommended Operating Conditions but within the Absolute Maximum Ratings, the device may not be fully functional, and this may affect device reliability, functionality, performance, and shorten the device lifetime.
- (2) See [図 8-3](#).

### 7.2 ESD Ratings

		VALUE	UNIT
V <sub>(ESD)</sub> Electrostatic discharge	Human body model (HBM), per ANSI/ESDA/JEDEC JS-001 <sup>(1)</sup>	±2000	V
	Charged device model (CDM), per JEDEC specification JESD22-C101 <sup>(2)</sup>	±500	

- (1) JEDEC document JEP155 states that 500-V HBM allows safe manufacturing with a standard ESD control process.
- (2) JEDEC document JEP157 states that 250-V CDM allows safe manufacturing with a standard ESD control process.

### 7.3 Recommended Operating Conditions

over operating free-air temperature range (unless otherwise noted)

		MIN	MAX	UNIT
Supply voltage, V <sub>DD</sub>	<sup>(1)</sup>	3	25	V
Input voltage	V3–V2 or V2–V1 or V1–VSS	0	5	V
Operating ambient temperature, T <sub>A</sub>		–40	110	°C

- (1) See [セクション 9.2](#).

### 7.4 Thermal Information

THERMAL METRIC <sup>(1)</sup>		BQ2945xy	UNIT
		DRV (SON)	
		6 PINS	
R <sub>θJA</sub>	Junction-to-ambient thermal resistance	186.4	°C/W
R <sub>θJC(top)</sub>	Junction-to-case(top) thermal resistance	90.4	°C/W
R <sub>θJB</sub>	Junction-to-board thermal resistance	110.7	°C/W
ψ <sub>JT</sub>	Junction-to-top characterization parameter	96.7	°C/W
ψ <sub>JB</sub>	Junction-to-board characterization parameter	90	°C/W
R <sub>θJC(bot)</sub>	Junction-to-case(bottom) thermal resistance	N/A	°C/W

- (1) For more information about traditional and new thermal metrics, see the [Semiconductor and IC Package Thermal Metrics Application Report](#).

## 7.5 Electrical Characteristics

Typical values stated where  $T_A = 25^\circ\text{C}$  and  $V_{DD} = 10.8\text{ V}$ , MIN/MAX values stated where  $T_A = -40^\circ\text{C}$  to  $+110^\circ\text{C}$  and  $V_{DD} = 3\text{ V}$  to  $15\text{ V}$  (unless otherwise noted).

PARAMETER	TEST CONDITIONS	MIN	TYP	MAX	UNIT	
<b>VOLTAGE PROTECTION THRESHOLD VCx</b>						
$V_{OV}$	$V_{(PROTECT)} -$ Overvoltage Detection	BQ294502, fixed delay 4 s		4.35	V	
		BQ294504, fixed delay 6.5 s		4.35		
		BQ294506, fixed delay 4 s		4.38		
		BQ294512, fixed delay 4 s		4.4		
		BQ294522, fixed delay 4 s		4.45		
		BQ294524, fixed delay 6.5 s		4.45		
		BQ294532, fixed delay 4 s		4.5		
		BQ294533, fixed delay 6.5 s		4.5		
		BQ294534, fixed delay 4 s		4.55		
		BQ294582, fixed delay 4 s		4.225		
BQ294592, fixed delay 4 s		4.3				
$V_{HYS}$	Overvoltage Detection Hysteresis	$V_{HYS}$	250	300	400	mV
$V_{OA}$	OV Detection Accuracy	$T_A = 25^\circ\text{C}$ , BQ2945xy	-10		10	mV
		$T_A = 25^\circ\text{C}$ , BQ294506 only	-7		7	mV
$V_{OA-DRIFT}$	OV Detection Accuracy due to Temperature	$T_A = -40^\circ\text{C}$	-40		44	mV
		$T_A = 0^\circ\text{C}$	-20		20	
		$T_A = 60^\circ\text{C}$	-24		24	
		$T_A = 110^\circ\text{C}$	-54		54	
		$T_A = 10^\circ\text{C}$ to $45^\circ\text{C}$ , BQ294506 only	-15		15	mV
<b>SUPPLY AND LEAKAGE CURRENT</b>						
$I_{CC}$	Supply Current	$(V3-V2) = (V2-V1) = (V1-VSS) = 4\text{ V}$ (See <a href="#">8-3</a> for reference.)		1	2	$\mu\text{A}$
		$(V3-V2) = (V2-V1) = (V1-VSS) = 2.8\text{ V}$ with $T_A = -40^\circ\text{C}$ to $60^\circ\text{C}$			1.25	
$I_{IN}$	Input Current at Vx Pins	Measured at V3, V2, and V1 = 4 V $(V2-V1) = (V1-VSS) = 4\text{ V}$ $T_A = 0^\circ\text{C}$ to $60^\circ\text{C}$ (See <a href="#">8-3</a> for reference.)	-0.1		0.1	$\mu\text{A}$
<b>OUTPUT DRIVE OUT</b>						
$V_{OUT}$	Output Drive Voltage	$(V3-V2)$ or $(V2-V1)$ or $(V1-VSS) > V_{OV}$ $V_{DD} = 7.2\text{ V}$ , $I_{OH} = 100\text{ }\mu\text{A}$ , $T_A = -40^\circ\text{C}$ to $+110^\circ\text{C}$	6			V
		Two of the three cells are short circuit and only one cell is powered $(V3-V2)$ or $(V2-V1)$ or $(V1-VSS) > V_{OV}$ $V_{DD} = V_x$ (Cell voltage), $I_{OH} = 100\text{ }\mu\text{A}$ , $T_A = -40^\circ\text{C}$ to $+110^\circ\text{C}$		$V_{DD} - 0.2$		V
		$(V3-V2)$ , $(V2-V1)$ , and $(V1-VSS) < V_{OV}$ , $I_{OL} = 100\text{ }\mu\text{A}$ , $T_A = 25^\circ\text{C}$ $T_A = -40^\circ\text{C}$ to $+110^\circ\text{C}$		250	400	mV
$I_{OUT(Short)}$	OUT Short Circuit Current	OUT = 0 V ( $V3-V2$ ) or $(V2-V1)$ or $(V1-VSS) > V_{OV}$			4.5	mA
$t_R$	Output Rise Time	$CL = 1\text{ nF}$ , $V_{OH(OUT)} = 0\text{ V}$ to $5\text{ V}^{(1)}$		5		$\mu\text{s}$
$Z_O$	Output Impedance			2	5	k $\Omega$
<b>FIXED DELAY TIMER</b>						
$t_{DELAY}$	Fault Detection Delay Time	Fixed Delay, BQ2945xy with delay set to 4s typ	3.2	4	4.8	s
		Fixed Delay, BQ2945xy with delay set to 6.5 s	5.2	6.5	7.8	

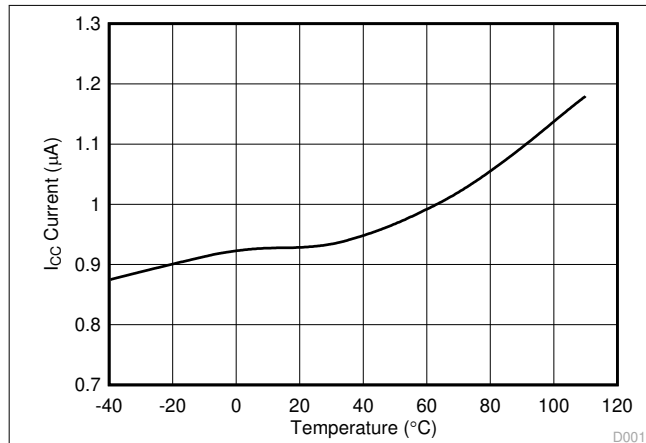
## 7.5 Electrical Characteristics (continued)

Typical values stated where  $T_A = 25^\circ\text{C}$  and  $V_{DD} = 10.8\text{ V}$ , MIN/MAX values stated where  $T_A = -40^\circ\text{C}$  to  $+110^\circ\text{C}$  and  $V_{DD} = 3\text{ V}$  to  $15\text{ V}$  (unless otherwise noted).

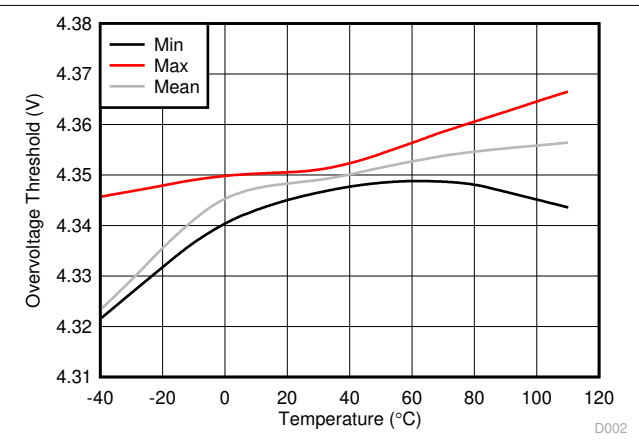
PARAMETER	TEST CONDITIONS	MIN	TYP	MAX	UNIT
$t_{\text{DELAY\_CTM}}$ Fault Detection Delay Time in Test Mode	Fixed Delay (Internal settings)		15		ms

(1) Specified by design. It is not 100% tested in production.

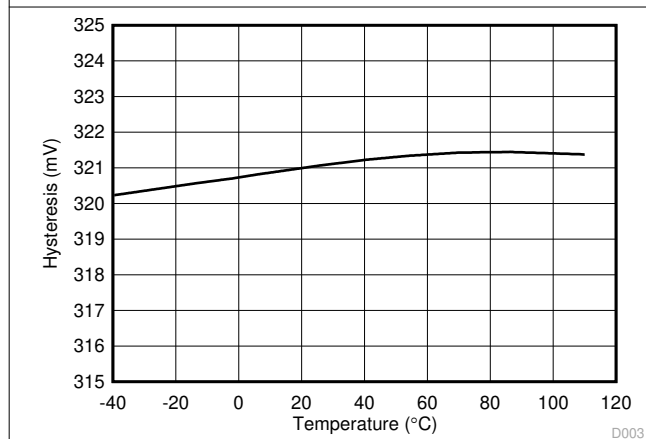
## 7.6 Typical Characteristics



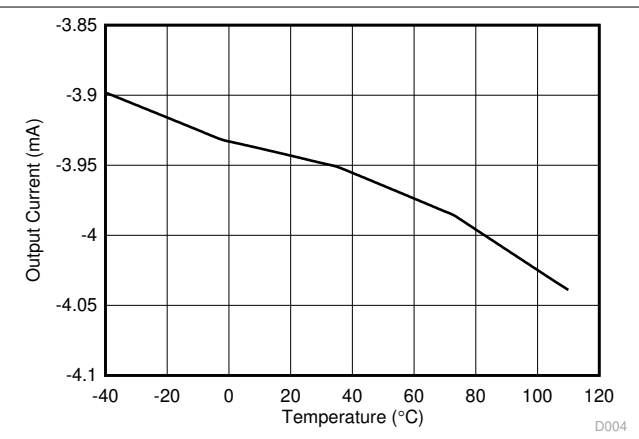
**7-1. I<sub>CC</sub> Current Consumption vs Temperature**



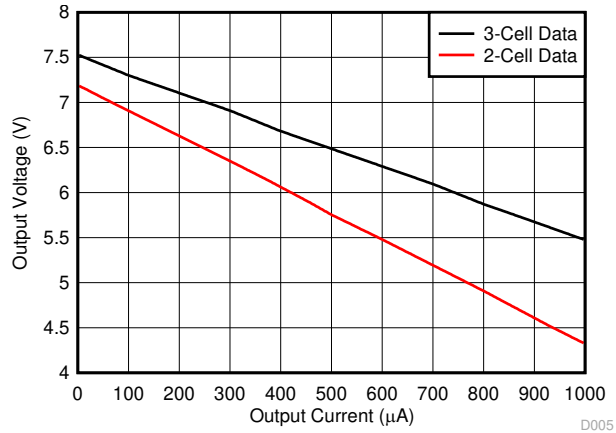
**7-2. BQ294502 Overvoltage Threshold (OVT) vs Temperature**



**7-3. Hysteresis  $V_{\text{HYS}}$  vs Temperature**



**7-4. Output Current  $I_{\text{OUT}}$  vs Temperature**



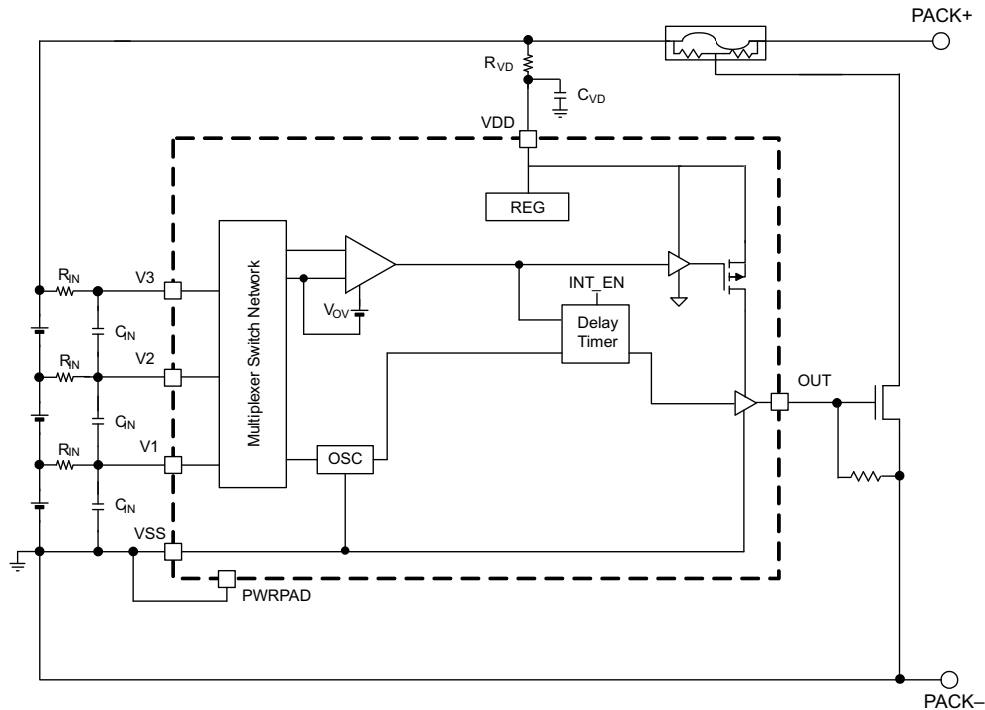
**7-5. Output Voltage vs Output Current**

## 8 Detailed Description

### 8.1 Overview

The BQ2945xy is a second-level overvoltage (OV) protector. Each cell is monitored independently by comparing the actual cell voltage to a protection voltage threshold,  $V_{OV}$ . The protection threshold is preprogrammed at the factory with a range from 3.85 V to 4.65 V.

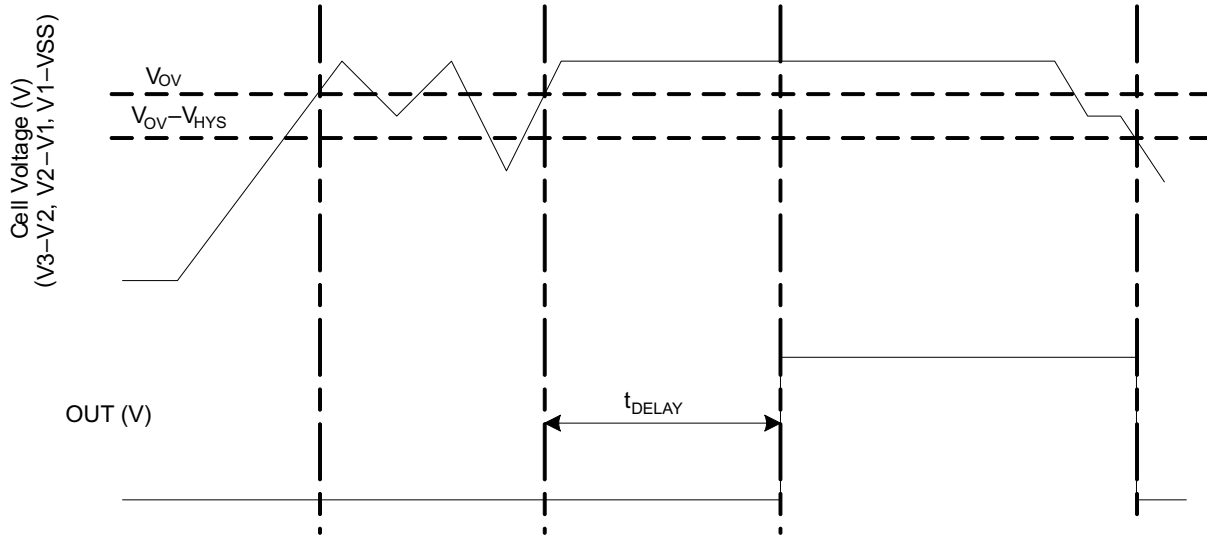
### 8.2 Functional Block Diagram



Copyright © 2017, Texas Instruments Incorporated

### 8.3 Feature Description

The voltage sensing for each cell is done independently using a multiplexer. The method of overvoltage detection is comparing the voltage to an overvoltage protection voltage  $V_{OV}$ . Once the voltage exceeds the programmed fixed value, the delay timer circuit is activated. This delay ( $t_{DELAY}$ ) is fixed for either a 4-s or 6.5-s delay. When these conditions are satisfied, the OUT terminal is transitioned to a high level. This output (OUT) is released to a low condition if *all* of the cell inputs ( $V_x$ ) are below the OVP threshold minus the  $V_{Hys}$ .



8-1. Timing for Overvoltage Sensing

### 8.3.1 Sense Positive Input for VX

This is an input to sense each single battery cell voltage. A series resistor and a capacitor across the cell for each input is required for noise filtering and stable voltage monitoring.

### 8.3.2 Output Drive, OUT

The gate of an external N-channel MOSFET is connected to this terminal. This output transitions to a high level when an overvoltage condition is detected and after the programmed delay timer. OUT resets to a low level if the cell voltage falls below the  $V_{OV}$  threshold before the fixed delay timer expires.

### 8.3.3 Supply Input, VDD

This terminal is the unregulated input power source for the IC. A series resistor is connected to limit the current, and a capacitor is connected to ground for noise filtering.

### 8.3.4 Thermal Pad, PWRPAD

For correct operation, the power pad (PWRPAD) is connected to the  $V_{SS}$  terminal on the PCB.

## 8.4 Device Functional Modes

### 8.4.1 NORMAL Mode

When all of the cell voltages are below the overvoltage threshold,  $V_{OV}$ , the device operates in NORMAL mode. The device monitors the differential cell voltages connected across  $(V1-VSS)$ ,  $(V2-V1)$  and  $(V3-V2)$ . The OUT pin is inactive in this mode.

### 8.4.2 OVERVOLTAGE Mode

OVERVOLTAGE mode is detected if any of the cell voltages exceeds the overvoltage threshold,  $V_{OV}$  for the configured OV delay time,  $t_{DELAY}$ . The OUT pin pulls high internally. An external FET then turns on, shorting the fuse to ground, which enables the battery or charger power to blow the fuse. When all of the cell voltages fall below  $(V_{OV}-V_{HYS})$ , the device returns to NORMAL mode.

### 8.4.3 Customer Test Mode

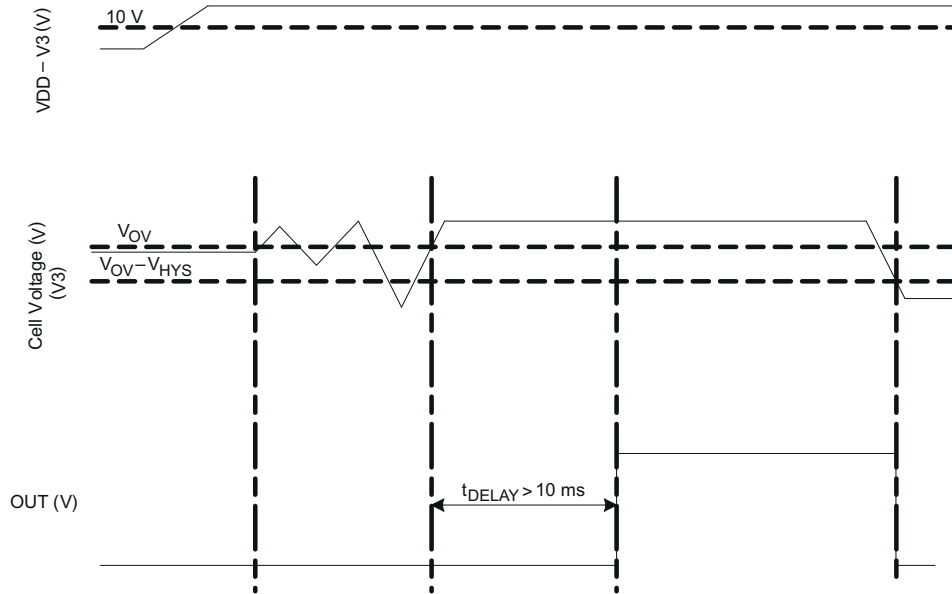
Customer Test Mode (CTM) helps to reduce test time for checking the overvoltage delay timer parameter once the circuit is implemented in the battery pack. To enter CTM, set VDD to at least 10 V higher than V3 (see 8-2). The delay timer is greater than 10 ms, but considerably shorter than the timer delay in normal operation. To exit CTM, remove the VDD to VC3 voltage differential of 10 V so that the decrease in this value automatically causes an exit.



**注意**

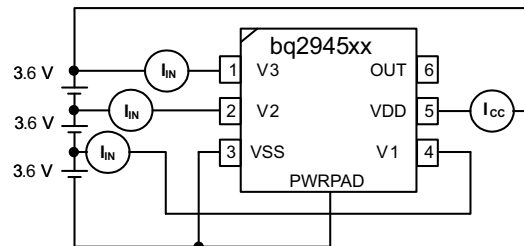
Avoid exceeding any Absolute Maximum Voltages on any pins when placing the part into CTM. Also avoid exceeding Absolute Maximum Voltages for the individual cell voltages ( $V3-V2$ ), ( $V2-V1$ ), and ( $V1-VSS$ ). Stressing the pins beyond the rated limits may cause permanent damage to the device.

☒ 8-2 shows the timing for CTM.



☒ 8-2. Timing for Customer Test Mode

☒ 8-3 shows the measurement for current consumption for the product for both VDD and  $V_x$ .



☒ 8-3. Configuration for IC Current Consumption Test

## 9 Application and Implementation

### 注

Information in the following applications sections is not part of the TI component specification, and TI does not warrant its accuracy or completeness. TI's customers are responsible for determining suitability of components for their purposes. Customers should validate and test their design implementation to confirm system functionality.

### 9.1 Application Information

The BQ2945xy devices are second-level protectors used for overvoltage protection for the battery pack in the application. The device, when configuring the OUT pin with active high, drives an NMOS FET that connects the fuse to ground in the event of a fault condition. This provides a shorted path to use the battery or charger power to blow the fuse and cut the power path.

### 9.2 Typical Application

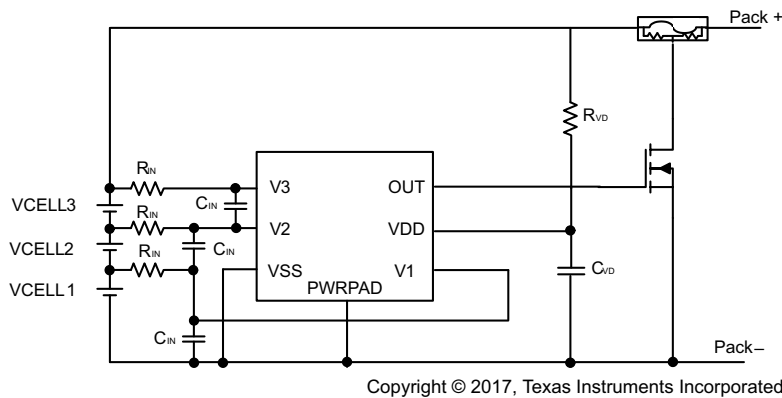


图 9-1. Application Configuration Schematic

#### 9.2.1 Design Requirements

Changes to the ranges stated in 表 9-1 impact the accuracy of the cell measurements. 图 9-1 shows each external component.

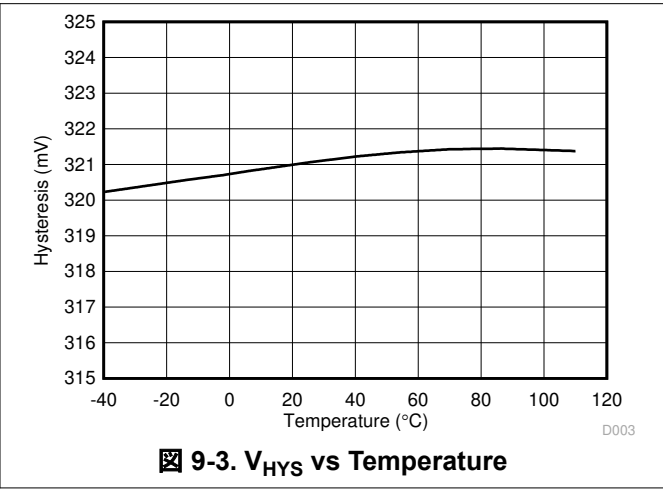
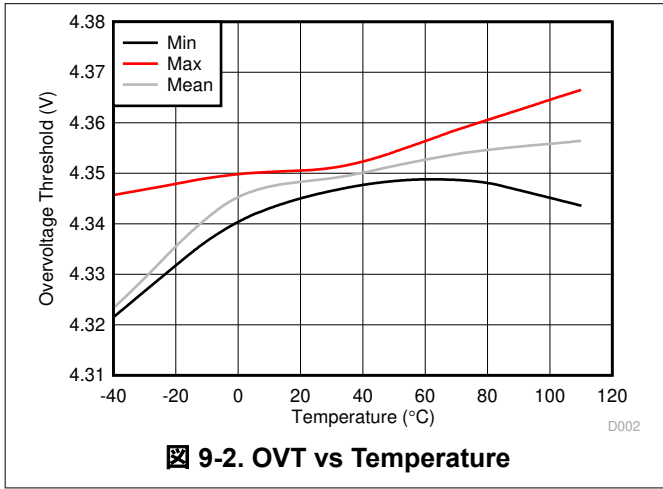
表 9-1. Parameters

PARAMETER	EXTERNAL COMPONENT	MIN	TYP	MAX	UNIT
Voltage monitor filter resistance	RIN	100	1000	4700	Ω
Voltage monitor filter capacitance	CIN	0.1		1	μF
Supply voltage filter resistance	RVD	100		1K	Ω
Supply voltage filter capacitance	CVD		0.1		μF

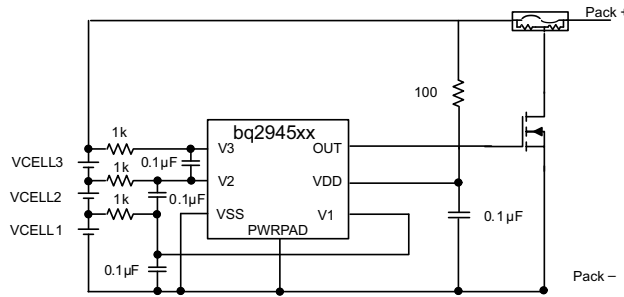
#### 9.2.2 Detailed Design Procedure

1. Determine the overvoltage threshold and delay time. Select the proper device from the table in セクション 5 or contact TI for a different configuration.
2. Determine the number of cell in series. The device supports 2-series to 3-series cell configurations. For a 2-series configuration, the V3 pin is shorted to V2.
3. To connect to the device, follow the application configuration schematic (see 图 9-1).

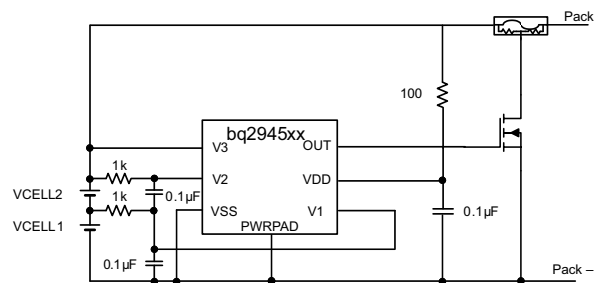
### 9.2.3 Application Curves



### 9.3 System Examples



**Figure 9-4. 3-Series Cell Configuration with Fixed Delay**



**Figure 9-5. 2-Series Cell Configuration with Internal Fixed Delay**

## 10 Power Supply Recommendations

The maximum power of this device is 25 V on VDD.

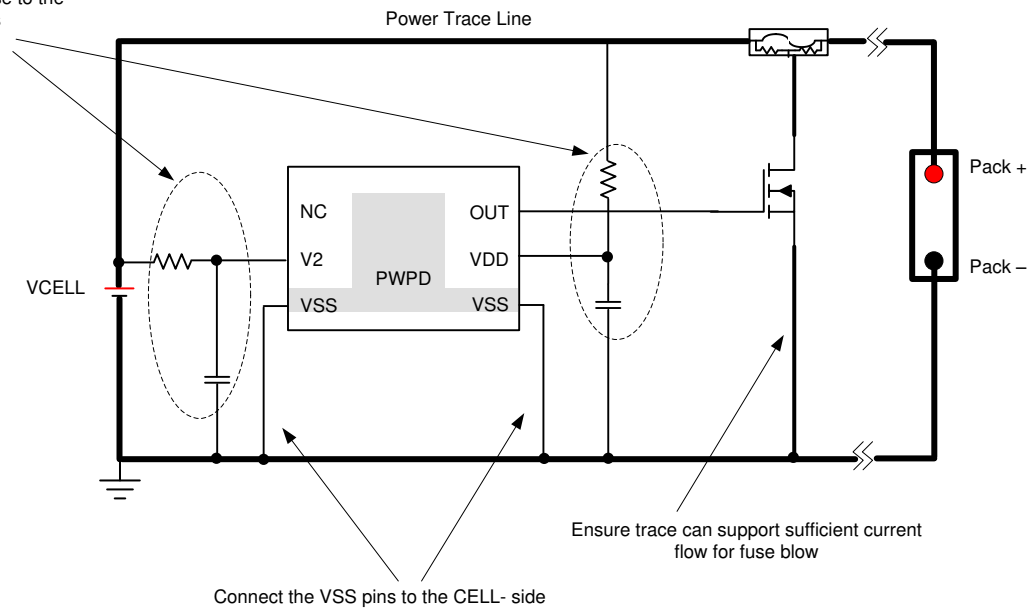
## 11 Layout

### 11.1 Layout Guidelines

- Ensure the RC filters for the V1 and VDD pins are placed as close as possible to the target terminal, reducing the tracing loop area.
- Route the VSS pin to the CELL– terminal.
- Ensure the trace connecting the fuse to the gate, source of the NFET to the Pack– is sufficient to withstand the current during a fuse blown event.

### 11.2 Layout Example

Place the RC filters close to the device terminals



☒ 11-1. Layout Schematic

## 12 Device and Documentation Support

### 12.1 Device Support

#### 12.1.1 Third-Party Products Disclaimer

TI'S PUBLICATION OF INFORMATION REGARDING THIRD-PARTY PRODUCTS OR SERVICES DOES NOT CONSTITUTE AN ENDORSEMENT REGARDING THE SUITABILITY OF SUCH PRODUCTS OR SERVICES OR A WARRANTY, REPRESENTATION OR ENDORSEMENT OF SUCH PRODUCTS OR SERVICES, EITHER ALONE OR IN COMBINATION WITH ANY TI PRODUCT OR SERVICE.

### 12.2 Related Documentation

- [Semiconductor and IC Package Thermal Metrics Application Report](#)

### 12.3 Receiving Notification of Documentation Updates

To receive notification of documentation updates, navigate to the device product folder on [ti.com](#). Click on *Subscribe to updates* to register and receive a weekly digest of any product information that has changed. For change details, review the revision history included in any revised document.

### 12.4 サポート・リソース

TI E2E™ サポート・フォーラムは、エンジニアが検証済みの回答と設計に関するヒントをエキスパートから迅速かつ直接得ることができる場所です。既存の回答を検索したり、独自の質問をしたりすることで、設計に必要な支援を迅速に得ることができます。

リンクされているコンテンツは、該当する貢献者により、現状のまま提供されるものです。これらは TI の仕様を構成するものではなく、必ずしも TI の見解を反映したものではありません。TI の[使用条件](#)を参照してください。

### 12.5 Trademarks

TI E2E™ is a trademark of Texas Instruments.

すべての商標は、それぞれの所有者に帰属します。

### 12.6 Electrostatic Discharge Caution



This integrated circuit can be damaged by ESD. Texas Instruments recommends that all integrated circuits be handled with appropriate precautions. Failure to observe proper handling and installation procedures can cause damage.

ESD damage can range from subtle performance degradation to complete device failure. Precision integrated circuits may be more susceptible to damage because very small parametric changes could cause the device not to meet its published specifications.

### 12.7 Glossary

[TI Glossary](#) This glossary lists and explains terms, acronyms, and definitions.

## 13 Mechanical, Packaging, and Orderable Information

The following pages include mechanical, packaging, and orderable information. This information is the most current data available for the designated devices. This data is subject to change without notice and revision of this document. For browser-based versions of this data sheet, refer to the left-hand navigation.

**PACKAGING INFORMATION**

Orderable part number	Status (1)	Material type (2)	Package   Pins	Package qty   Carrier	RoHS (3)	Lead finish/ Ball material (4)	MSL rating/ Peak reflow (5)	Op temp (°C)	Part marking (6)
<a href="#">BQ294502DRVR</a>	Active	Production	WSON (DRV)   6	3000   LARGE T&R	Yes	NIPDAU	Level-1-260C-UNLIM	-40 to 85	4502
<a href="#">BQ294502DRVVT</a>	Active	Production	WSON (DRV)   6	250   SMALL T&R	Yes	NIPDAU	Level-1-260C-UNLIM	-40 to 85	4502
<a href="#">BQ294504DRVR</a>	Active	Production	WSON (DRV)   6	3000   LARGE T&R	Yes	NIPDAU	Level-1-260C-UNLIM	-40 to 85	4504
<a href="#">BQ294504DRVVT</a>	Active	Production	WSON (DRV)   6	250   SMALL T&R	Yes	NIPDAU	Level-1-260C-UNLIM	-40 to 85	4504
<a href="#">BQ294506DRVR</a>	Active	Production	WSON (DRV)   6	3000   LARGE T&R	Yes	NIPDAU	Level-1-260C-UNLIM	-40 to 85	4506
<a href="#">BQ294506DRVVT</a>	Active	Production	WSON (DRV)   6	250   SMALL T&R	Yes	NIPDAU	Level-1-260C-UNLIM	-40 to 85	4506
<a href="#">BQ294512DRVR</a>	Active	Production	WSON (DRV)   6	3000   LARGE T&R	Yes	NIPDAU	Level-2-260C-1 YEAR	-40 to 85	4512
<a href="#">BQ294512DRVVT</a>	Active	Production	WSON (DRV)   6	250   SMALL T&R	Yes	NIPDAU	Level-1-260C-UNLIM	-40 to 85	4512
<a href="#">BQ294522DRVR</a>	Active	Production	WSON (DRV)   6	3000   LARGE T&R	Yes	NIPDAU	Level-2-260C-1 YEAR	-40 to 85	4522
<a href="#">BQ294522DRVVT</a>	Active	Production	WSON (DRV)   6	250   SMALL T&R	Yes	NIPDAU	Level-1-260C-UNLIM	-40 to 85	4522
<a href="#">BQ294524DRVR</a>	Active	Production	WSON (DRV)   6	3000   LARGE T&R	Yes	NIPDAU	Level-1-260C-UNLIM	-40 to 85	4524
<a href="#">BQ294524DRVVT</a>	Active	Production	WSON (DRV)   6	250   SMALL T&R	Yes	NIPDAU	Level-1-260C-UNLIM	-40 to 85	4524
<a href="#">BQ294532DRVR</a>	Active	Production	WSON (DRV)   6	3000   LARGE T&R	Yes	Call TI   Nipdau	Level-1-260C-UNLIM	-40 to 85	4532
<a href="#">BQ294532DRVVT</a>	Active	Production	WSON (DRV)   6	250   SMALL T&R	Yes	NIPDAU	Level-1-260C-UNLIM	-40 to 85	4532
<a href="#">BQ294533DRVR</a>	Active	Production	WSON (DRV)   6	3000   LARGE T&R	Yes	NIPDAU	Level-1-260C-UNLIM	-40 to 85	4533
<a href="#">BQ294533DRVVT</a>	Active	Production	WSON (DRV)   6	250   SMALL T&R	Yes	NIPDAU	Level-1-260C-UNLIM	-40 to 85	4533
<a href="#">BQ294534DRVR</a>	Active	Production	WSON (DRV)   6	3000   LARGE T&R	Yes	NIPDAU	Level-1-260C-UNLIM	-40 to 110	4534
<a href="#">BQ294582DRVR</a>	Active	Production	WSON (DRV)   6	3000   LARGE T&R	Yes	NIPDAU	Level-1-260C-UNLIM	-40 to 85	4582
<a href="#">BQ294582DRVVT</a>	Active	Production	WSON (DRV)   6	250   SMALL T&R	Yes	NIPDAU	Level-1-260C-UNLIM	-40 to 85	4582
<a href="#">BQ294592DRVR</a>	Active	Production	WSON (DRV)   6	3000   LARGE T&R	Yes	NIPDAU	Level-1-260C-UNLIM	-40 to 85	4592
<a href="#">BQ294592DRVVT</a>	Active	Production	WSON (DRV)   6	250   SMALL T&R	Yes	NIPDAU	Level-1-260C-UNLIM	-40 to 85	4592

(1) **Status:** For more details on status, see our [product life cycle](#).

(2) **Material type:** When designated, preproduction parts are prototypes/experimental devices, and are not yet approved or released for full production. Testing and final process, including without limitation quality assurance, reliability performance testing, and/or process qualification, may not yet be complete, and this item is subject to further changes or possible discontinuation. If available for ordering, purchases will be subject to an additional waiver at checkout, and are intended for early internal evaluation purposes only. These items are sold without warranties of any kind.

(3) **RoHS values:** Yes, No, RoHS Exempt. See the [TI RoHS Statement](#) for additional information and value definition.

(4) **Lead finish/Ball material:** Parts may have multiple material finish options. Finish options are separated by a vertical ruled line. Lead finish/Ball material values may wrap to two lines if the finish value exceeds the maximum column width.

(5) **MSL rating/Peak reflow:** The moisture sensitivity level ratings and peak solder (reflow) temperatures. In the event that a part has multiple moisture sensitivity ratings, only the lowest level per JEDEC standards is shown. Refer to the shipping label for the actual reflow temperature that will be used to mount the part to the printed circuit board.

(6) **Part marking:** There may be an additional marking, which relates to the logo, the lot trace code information, or the environmental category of the part.

Multiple part markings will be inside parentheses. Only one part marking contained in parentheses and separated by a "~" will appear on a part. If a line is indented then it is a continuation of the previous line and the two combined represent the entire part marking for that device.

**Important Information and Disclaimer:**The information provided on this page represents TI's knowledge and belief as of the date that it is provided. TI bases its knowledge and belief on information provided by third parties, and makes no representation or warranty as to the accuracy of such information. Efforts are underway to better integrate information from third parties. TI has taken and continues to take reasonable steps to provide representative and accurate information but may not have conducted destructive testing or chemical analysis on incoming materials and chemicals. TI and TI suppliers consider certain information to be proprietary, and thus CAS numbers and other limited information may not be available for release.

In no event shall TI's liability arising out of such information exceed the total purchase price of the TI part(s) at issue in this document sold by TI to Customer on an annual basis.

**TAPE AND REEL INFORMATION**

**QUADRANT ASSIGNMENTS FOR PIN 1 ORIENTATION IN TAPE**


\*All dimensions are nominal

Device	Package Type	Package Drawing	Pins	SPQ	Reel Diameter (mm)	Reel Width W1 (mm)	A0 (mm)	B0 (mm)	K0 (mm)	P1 (mm)	W (mm)	Pin1 Quadrant
BQ294502DRVR	WSO	DRV	6	3000	180.0	8.4	2.3	2.3	1.15	4.0	8.0	Q2
BQ294502DRVR	WSO	DRV	6	3000	180.0	8.4	2.3	2.3	1.15	4.0	8.0	Q2
BQ294502DRVT	WSO	DRV	6	250	180.0	8.4	2.3	2.3	1.15	4.0	8.0	Q2
BQ294502DRVT	WSO	DRV	6	250	180.0	8.4	2.3	2.3	1.15	4.0	8.0	Q2
BQ294504DRVR	WSO	DRV	6	3000	180.0	8.4	2.3	2.3	1.15	4.0	8.0	Q2
BQ294504DRVR	WSO	DRV	6	3000	180.0	8.4	2.3	2.3	1.15	4.0	8.0	Q2
BQ294504DRVT	WSO	DRV	6	250	180.0	8.4	2.3	2.3	1.15	4.0	8.0	Q2
BQ294504DRVT	WSO	DRV	6	250	180.0	8.4	2.3	2.3	1.15	4.0	8.0	Q2
BQ294506DRVR	WSO	DRV	6	3000	180.0	8.4	2.3	2.3	1.15	4.0	8.0	Q2
BQ294506DRVR	WSO	DRV	6	3000	180.0	8.4	2.3	2.3	1.15	4.0	8.0	Q2
BQ294506DRVT	WSO	DRV	6	250	180.0	8.4	2.3	2.3	1.15	4.0	8.0	Q2
BQ294512DRVR	WSO	DRV	6	3000	180.0	8.4	2.3	2.3	1.15	4.0	8.0	Q2
BQ294512DRVT	WSO	DRV	6	250	180.0	8.4	2.3	2.3	1.15	4.0	8.0	Q2
BQ294522DRVR	WSO	DRV	6	3000	180.0	8.4	2.3	2.3	1.15	4.0	8.0	Q2
BQ294522DRVT	WSO	DRV	6	250	180.0	8.4	2.3	2.3	1.15	4.0	8.0	Q2
BQ294524DRVR	WSO	DRV	6	3000	180.0	8.4	2.3	2.3	1.15	4.0	8.0	Q2



Device	Package Type	Package Drawing	Pins	SPQ	Reel Diameter (mm)	Reel Width W1 (mm)	A0 (mm)	B0 (mm)	K0 (mm)	P1 (mm)	W (mm)	Pin1 Quadrant
BQ294524DRVR	WSON	DRV	6	3000	180.0	8.4	2.3	2.3	1.15	4.0	8.0	Q2
BQ294524DRVT	WSON	DRV	6	250	180.0	8.4	2.3	2.3	1.15	4.0	8.0	Q2
BQ294524DRVT	WSON	DRV	6	250	180.0	8.4	2.3	2.3	1.15	4.0	8.0	Q2
BQ294532DRVR	WSON	DRV	6	3000	180.0	8.4	2.3	2.3	1.15	4.0	8.0	Q2
BQ294532DRVR	WSON	DRV	6	3000	180.0	8.4	2.3	2.3	1.15	4.0	8.0	Q2
BQ294532DRVT	WSON	DRV	6	250	180.0	8.4	2.3	2.3	1.15	4.0	8.0	Q2
BQ294532DRVT	WSON	DRV	6	250	180.0	8.4	2.3	2.3	1.15	4.0	8.0	Q2
BQ294533DRVR	WSON	DRV	6	3000	180.0	8.4	2.3	2.3	1.15	4.0	8.0	Q2
BQ294533DRVT	WSON	DRV	6	250	180.0	8.4	2.3	2.3	1.15	4.0	8.0	Q2
BQ294534DRVR	WSON	DRV	6	3000	180.0	8.4	2.3	2.3	1.15	4.0	8.0	Q2
BQ294582DRVR	WSON	DRV	6	3000	180.0	8.4	2.3	2.3	1.15	4.0	8.0	Q2
BQ294582DRVR	WSON	DRV	6	3000	180.0	8.4	2.3	2.3	1.15	4.0	8.0	Q2
BQ294582DRVT	WSON	DRV	6	250	180.0	8.4	2.3	2.3	1.15	4.0	8.0	Q2
BQ294582DRVT	WSON	DRV	6	250	180.0	8.4	2.3	2.3	1.15	4.0	8.0	Q2
BQ294592DRVR	WSON	DRV	6	3000	180.0	8.4	2.3	2.3	1.15	4.0	8.0	Q2
BQ294592DRVR	WSON	DRV	6	3000	180.0	8.4	2.3	2.3	1.15	4.0	8.0	Q2
BQ294592DRVT	WSON	DRV	6	250	180.0	8.4	2.3	2.3	1.15	4.0	8.0	Q2
BQ294592DRVT	WSON	DRV	6	250	180.0	8.4	2.3	2.3	1.15	4.0	8.0	Q2

## TAPE AND REEL BOX DIMENSIONS



\*All dimensions are nominal

Device	Package Type	Package Drawing	Pins	SPQ	Length (mm)	Width (mm)	Height (mm)
BQ294502DRVR	WSO	DRV	6	3000	182.0	182.0	20.0
BQ294502DRVT	WSO	DRV	6	250	182.0	182.0	20.0
BQ294504DRVR	WSO	DRV	6	3000	210.0	185.0	35.0
BQ294504DRVT	WSO	DRV	6	250	210.0	185.0	35.0
BQ294506DRVR	WSO	DRV	6	3000	210.0	185.0	35.0
BQ294506DRVT	WSO	DRV	6	250	210.0	185.0	35.0
BQ294512DRVR	WSO	DRV	6	3000	210.0	185.0	35.0
BQ294512DRVT	WSO	DRV	6	250	182.0	182.0	20.0
BQ294522DRVR	WSO	DRV	6	3000	210.0	185.0	35.0
BQ294522DRVT	WSO	DRV	6	250	182.0	182.0	20.0
BQ294524DRVR	WSO	DRV	6	3000	210.0	185.0	35.0
BQ294524DRVT	WSO	DRV	6	250	210.0	185.0	35.0

Device	Package Type	Package Drawing	Pins	SPQ	Length (mm)	Width (mm)	Height (mm)
BQ294524DRVT	WSON	DRV	6	250	210.0	185.0	35.0
BQ294532DRVR	WSON	DRV	6	3000	210.0	185.0	35.0
BQ294532DRVT	WSON	DRV	6	250	210.0	185.0	35.0
BQ294532DRVT	WSON	DRV	6	250	210.0	185.0	35.0
BQ294533DRVR	WSON	DRV	6	3000	210.0	185.0	35.0
BQ294533DRVT	WSON	DRV	6	250	210.0	185.0	35.0
BQ294534DRVR	WSON	DRV	6	3000	210.0	185.0	35.0
BQ294582DRVR	WSON	DRV	6	3000	210.0	185.0	35.0
BQ294582DRVR	WSON	DRV	6	3000	210.0	185.0	35.0
BQ294582DRVT	WSON	DRV	6	250	210.0	185.0	35.0
BQ294582DRVT	WSON	DRV	6	250	210.0	185.0	35.0
BQ294592DRVR	WSON	DRV	6	3000	210.0	185.0	35.0
BQ294592DRVR	WSON	DRV	6	3000	210.0	185.0	35.0
BQ294592DRVT	WSON	DRV	6	250	210.0	185.0	35.0
BQ294592DRVT	WSON	DRV	6	250	210.0	185.0	35.0

## GENERIC PACKAGE VIEW

DRV 6

WSON - 0.8 mm max height

PLASTIC SMALL OUTLINE - NO LEAD



Images above are just a representation of the package family, actual package may vary.  
Refer to the product data sheet for package details.

4206925/F



4222173/B 04/2018

NOTES:

1. All linear dimensions are in millimeters. Any dimensions in parenthesis are for reference only. Dimensioning and tolerancing per ASME Y14.5M.
2. This drawing is subject to change without notice.
3. The package thermal pad must be soldered to the printed circuit board for thermal and mechanical performance.



# EXAMPLE STENCIL DESIGN

DRV0006A

WSON - 0.8 mm max height

PLASTIC SMALL OUTLINE - NO LEAD



SOLDER PASTE EXAMPLE  
BASED ON 0.125 mm THICK STENCIL

EXPOSED PAD #7  
88% PRINTED SOLDER COVERAGE BY AREA UNDER PACKAGE  
SCALE:30X

4222173/B 04/2018

NOTES: (continued)

6. Laser cutting apertures with trapezoidal walls and rounded corners may offer better paste release. IPC-7525 may have alternate design recommendations.

## 重要なお知らせと免責事項

テキサス・インスツルメンツは、技術データと信頼性データ(データシートを含みます)、設計リソース(リファレンス デザインを含みます)、アプリケーションや設計に関する各種アドバイス、Web ツール、安全性情報、その他のリソースを、欠陥が存在する可能性のある「現状のまま」提供しており、商品性および特定目的に対する適合性の黙示保証、第三者の知的財産権の非侵害保証を含むいかなる保証も、明示的または黙示的にかかわらず拒否します。

これらのリソースは、テキサス・インスツルメンツ製品を使用する設計の経験を積んだ開発者への提供を意図したものです。(1) お客様のアプリケーションに適したテキサス・インスツルメンツ製品の選定、(2) お客様のアプリケーションの設計、検証、試験、(3) お客様のアプリケーションに該当する各種規格や、その他のあらゆる安全性、セキュリティ、規制、または他の要件への確実な適合に関する責任を、お客様のみが単独で負うものとします。

上記の各種リソースは、予告なく変更される可能性があります。これらのリソースは、リソースで説明されているテキサス・インスツルメンツ製品を使用するアプリケーションの開発の目的でのみ、テキサス・インスツルメンツはその使用をお客様に許諾します。これらのリソースに関して、他の目的で複製することや掲載することは禁止されています。テキサス・インスツルメンツや第三者の知的財産権のライセンスが付与されている訳ではありません。お客様は、これらのリソースを自身で使用した結果発生するあらゆる申し立て、損害、費用、損失、責任について、テキサス・インスツルメンツおよびその代理人を完全に補償するものとし、テキサス・インスツルメンツは一切の責任を拒否します。

テキサス・インスツルメンツの製品は、[テキサス・インスツルメンツの販売条件](#)、または [ti.com](https://www.ti.com) やかかるテキサス・インスツルメンツ製品の関連資料などのいずれかを通じて提供する適用可能な条項の下で提供されています。テキサス・インスツルメンツがこれらのリソースを提供することは、適用されるテキサス・インスツルメンツの保証または他の保証の放棄の拡大や変更を意味するものではありません。

お客様がいかなる追加条項または代替条項を提案した場合でも、テキサス・インスツルメンツはそれらに異議を唱え、拒否します。

郵送先住所：Texas Instruments, Post Office Box 655303, Dallas, Texas 75265  
Copyright © 2025, Texas Instruments Incorporated