

LM160QML High Speed Differential Comparator

 Check for Samples: [LM160QML](#)

FEATURES

- Ensured High Speed: 20nS max
- Tight Delay Matching on Both Outputs
- Complementary TTL Outputs
- High Input Impedance
- Low Speed Variation with Overdrive Variation
- Fan-Out of 4
- Low Input Offset Voltage
- Series 74 TTL Compatible

DESCRIPTION

The LM160 is a very high speed differential input, complementary TTL output voltage comparator with improved characteristics over the μ A760/ μ A760C, for which it is a pin-for-pin replacement. The device has been optimized for greater speed, input impedance and fan-out, and lower input offset voltage. Typically delay varies only 3nS for overdrive variations of 5mV to 400mV.

Complementary outputs having minimum skew are provided. Applications involve high speed analog to digital convertors and zero-crossing detectors in disk file systems.

Connection Diagrams

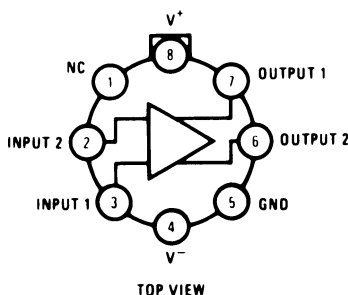


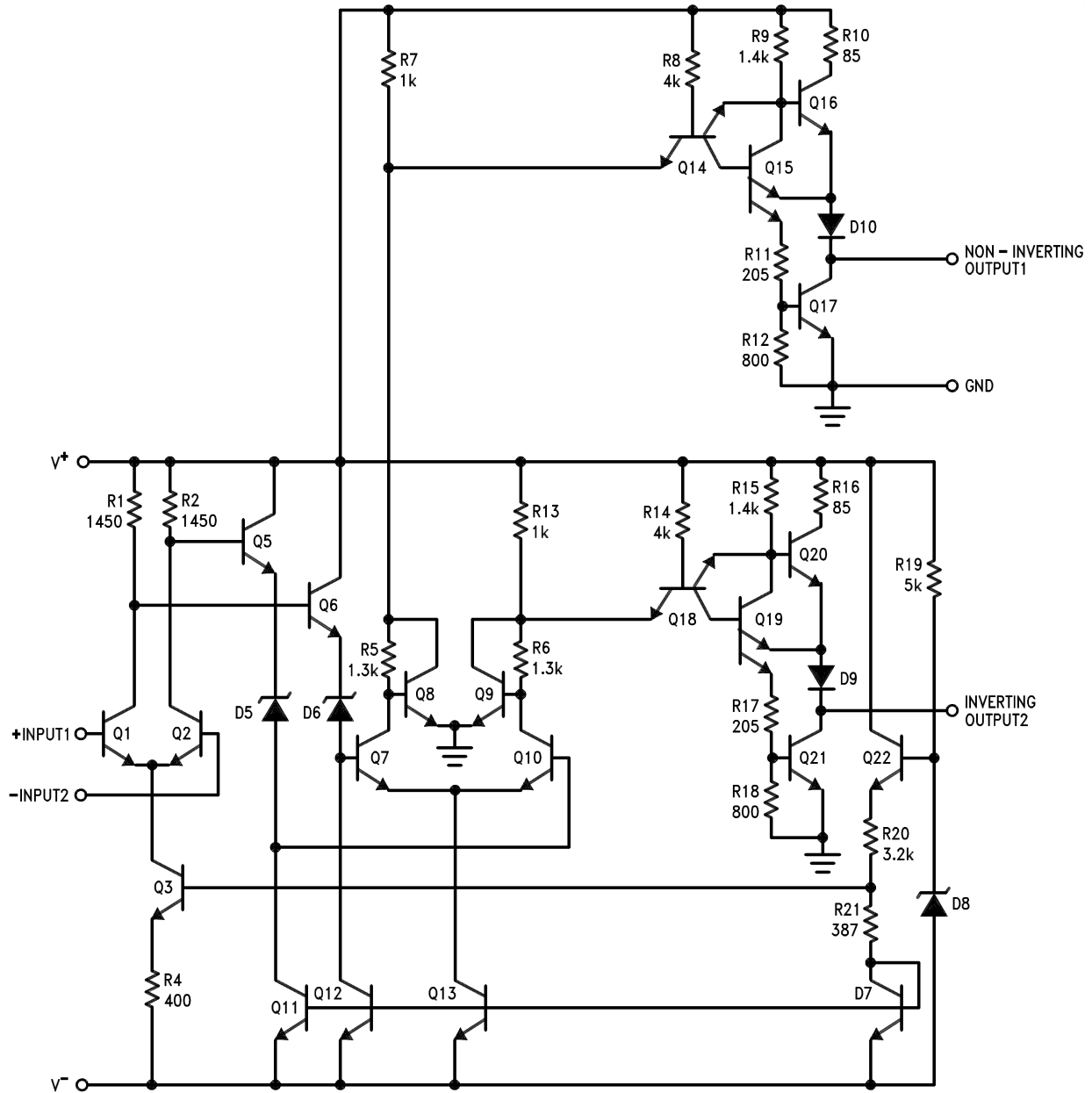
Figure 1. Metal Can Package
See Package Number LMC0008C



Please be aware that an important notice concerning availability, standard warranty, and use in critical applications of Texas Instruments semiconductor products and disclaimers thereto appears at the end of this data sheet.

All trademarks are the property of their respective owners.

Schematic Diagram



These devices have limited built-in ESD protection. The leads should be shorted together or the device placed in conductive foam during storage or handling to prevent electrostatic damage to the MOS gates.

Absolute Maximum Ratings⁽¹⁾

Positive Supply Voltage			+8V
Negative Supply Voltage			-8V
Peak Output Current			20 mA
Differential Input Voltage			±5V
Input Voltage			$V^+ \geq V_I \geq V^-$
Operating Temperature Range			$-55^\circ\text{C} \leq T_A \leq +125^\circ\text{C}$
Storage Temperature Range			$-65^\circ\text{C} \leq T_A \leq +150^\circ\text{C}$
Thermal Resistance	θ_{JA}	Still Air	165°C/W
		400 LF/min	67°C/W
	θ_{JC}		25°C/W
Lead Temperature (Soldering, 10 sec.)			260°C
ESD Tolerance ⁽²⁾			1,600V

- (1) Absolute Maximum Ratings indicate limits beyond which damage to the device may occur. Operating Ratings indicate conditions for which the device is functional, but do not ensure specific performance limits. For ensured specifications and test conditions, see the Electrical Characteristics. The ensured specifications apply only for the test conditions listed. Some performance characteristics may degrade when the device is not operated under the listed test conditions.

- (2) Human body model, 1.5 k Ω in series with 100 pF.

Quality Conformance Inspection

Mil-Std-883, Method 5005 - Group A

Subgroup	Description	Temp (°C)
1	Static tests at	+25
2	Static tests at	+125
3	Static tests at	-55
4	Dynamic tests at	+25
5	Dynamic tests at	+125
6	Dynamic tests at	-55
7	Functional tests at	+25
8A	Functional tests at	+125
8B	Functional tests at	-55
9	Switching tests at	+25
10	Switching tests at	+125
11	Switching tests at	-55
12	Settling time at	+25
13	Settling time at	+125
14	Settling time at	-55

LM160H/883 Electrical Characteristics DC Parameters

Symbol	Parameter	Conditions	Notes	Min	Max	Unit	Sub-groups
$V_{OH\ B}$	Logical "1" Output Voltage	$V_{CC} \pm 4.5V, I_O = -320\mu A$		2.4		V	1, 2, 3
$V_{OH\ A}$	Logical "1" Output Voltage	$V_{CC} \pm 4.5V, I_O = -320\mu A$		2.4		V	1, 2, 3
$V_{OL\ A}$	Logical "0" Output Voltage	$V_{CC} \pm 4.5V, I_O = 6.4mA$			0.4	V	1, 2, 3
$V_{OL\ B}$	Logical "0" Output Voltage	$V_{CC} = 4.5V, I_O = 6.4mA$			0.4	V	1, 2, 3
I_{IB}	Input Bias Current	$V_{CC} = \pm 5V, V_{IN} = 5V$			20	μA	1, 2, 3
I_{CC+}	Positive Supply Current	$V_{CC} = \pm 6.5V$			32	mA	1, 2, 3
I_{CC-}	Negative Supply Current	$V_{CC} = \pm 6.5V$			-16	mA	1, 2, 3
$I_{OS\ B}$	Short Circuit Current	$V_{CC} = \pm 4.5V$		-15	-52	mA	1, 2, 3
$I_{OS\ A}$	Short Circuit Current	$V_{CC} = \pm 4.5V$		-15	-52	mA	1, 2, 3
V_{IO}	Input Offset Voltage	$V_{CC} = \pm 5V$		-5.0	5.0	mV	1, 2, 3
I_{IO}	Input Offset Current	$V_{CC} = \pm 5V$		-3.0	3.0	μA	1, 2, 3
$I_I\ (1)$	Unbalanced Input Current	$V_{CC} = \pm 5V, V_{IN(1)} = 0, V_{IN(2)} = 5V$	See ⁽¹⁾		-1.0	mA	1, 2, 3
$I_I\ (2)$	Unbalanced Input Current	$V_{CC} = \pm 5V, V_{IN(1)} = 5V, V_{IN(2)} = 0V$	See ⁽¹⁾		-1.0	mA	1, 2, 3
V_{CC}	Supply Voltage		See ⁽¹⁾	± 4.5	± 6.5	V	1, 2, 3
BV_{CC}	Supply Breakdown Voltage		See ⁽¹⁾	± 8.0		V	1, 2, 3
V_{CM}	Common Mode Input Voltage Range	$V_{CC} = \pm 6.5V$	See ⁽¹⁾	± 4.0		V	1, 2, 3
V_{Diff}	Differential Input Voltage Range		See ⁽¹⁾	± 5.0		V	1, 2, 3

(1) Parameter tested go-no-go, only.

LM160H/883 Electrical Characteristics AC Parameters

The following conditions apply, unless otherwise specified. $V_{CC} = \pm 5V, f = 10MHz$ (sinusoidal)

Symbol	Parameter	Conditions	Notes	Min	Max	Unit	Sub-groups
t_{Resp}	Response Time	$V_{IN} = 30mV_{P-P}$	See ⁽¹⁾		25	nS	9
t_{Resp}	Response Time	$V_{IN} = 2 V_{P-P}$	See ⁽¹⁾		20	nS	9

(1) Bench test, use 70256644.

Typical Performance Characteristics

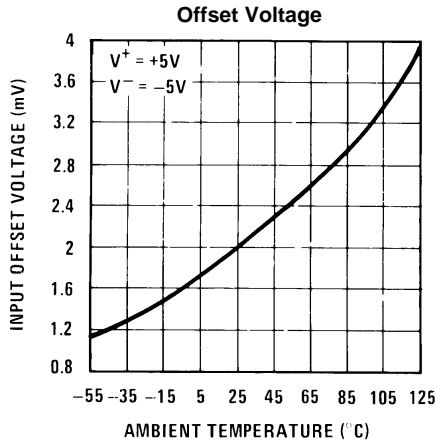


Figure 2.

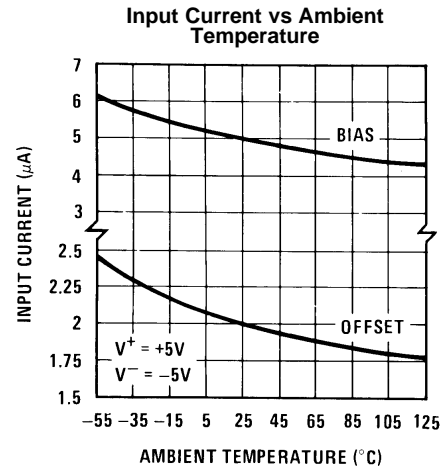


Figure 3.

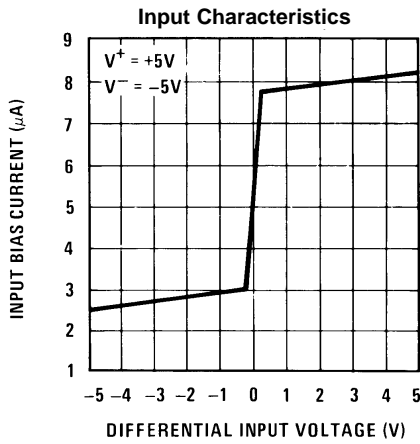


Figure 4.

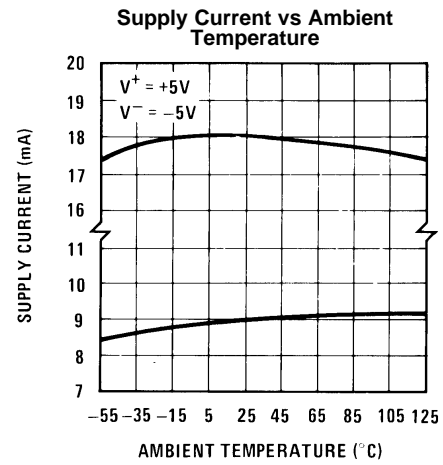


Figure 5.

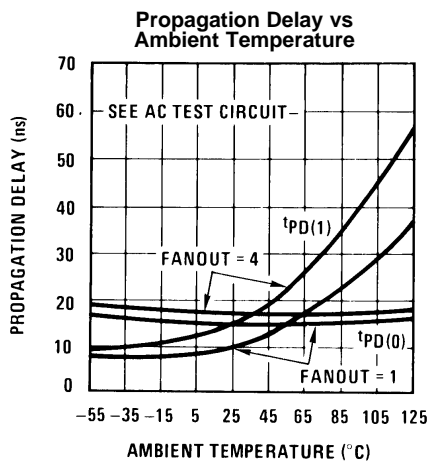


Figure 6.

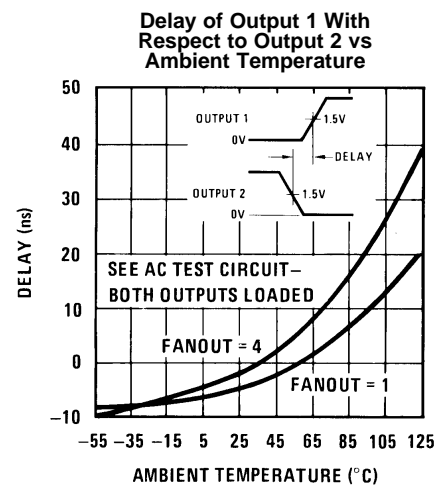


Figure 7.

Typical Performance Characteristics (continued)

Common-Mode Pulse Response

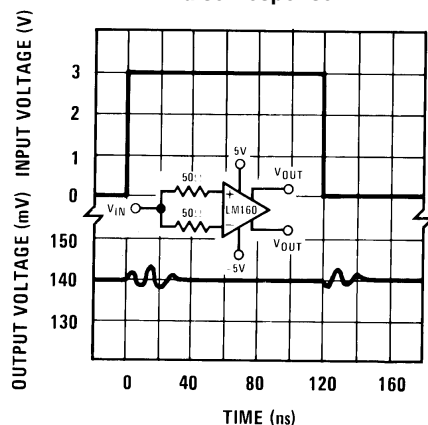
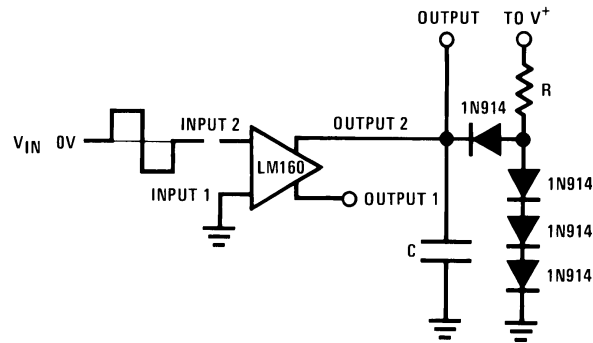


Figure 8.

AC Test Circuit



$V_I = \pm 50 \text{ mV}$

$V^+ = +5\text{V}$

$V^- = -5\text{V}$

FANOUT=1

$R = 2.4\text{K}\Omega$

$C = 15 \text{ pF}$

FANOUT=4

$R = 630\Omega$

$C = 30 \text{ pF}$

REVISION HISTORY

Released	Revision	Section	Changes
11/30/2010	A	New Release, Corporate format	1 MDS data sheets converted into one Corp. data sheet format. The drift table was eliminated since it did not apply MNL160-X Rev 0BL will be archived.
03/26/2013	A	All Sections	Changed layout of National Data Sheet to TI format

PACKAGING INFORMATION

Orderable Device	Status (1)	Package Type	Package Drawing	Pins	Package Qty	Eco Plan (2)	Lead finish/ Ball material (6)	MSL Peak Temp (3)	Op Temp (°C)	Device Marking (4/5)	Samples
LM160H/883	OBSOLETE					TBD	Call TI	Call TI		LM160H/883 5962-8767401GA Q A CO 5962-8767401GA Q > T	

(1) The marketing status values are defined as follows:

ACTIVE: Product device recommended for new designs.

LIFEBUY: TI has announced that the device will be discontinued, and a lifetime-buy period is in effect.

NRND: Not recommended for new designs. Device is in production to support existing customers, but TI does not recommend using this part in a new design.

PREVIEW: Device has been announced but is not in production. Samples may or may not be available.

OBSOLETE: TI has discontinued the production of the device.

(2) **RoHS:** TI defines "RoHS" to mean semiconductor products that are compliant with the current EU RoHS requirements for all 10 RoHS substances, including the requirement that RoHS substance do not exceed 0.1% by weight in homogeneous materials. Where designed to be soldered at high temperatures, "RoHS" products are suitable for use in specified lead-free processes. TI may reference these types of products as "Pb-Free".

RoHS Exempt: TI defines "RoHS Exempt" to mean products that contain lead but are compliant with EU RoHS pursuant to a specific EU RoHS exemption.

Green: TI defines "Green" to mean the content of Chlorine (Cl) and Bromine (Br) based flame retardants meet JS709B low halogen requirements of <=1000ppm threshold. Antimony trioxide based flame retardants must also meet the <=1000ppm threshold requirement.

(3) MSL, Peak Temp. - The Moisture Sensitivity Level rating according to the JEDEC industry standard classifications, and peak solder temperature.

(4) There may be additional marking, which relates to the logo, the lot trace code information, or the environmental category on the device.

(5) Multiple Device Markings will be inside parentheses. Only one Device Marking contained in parentheses and separated by a "~" will appear on a device. If a line is indented then it is a continuation of the previous line and the two combined represent the entire Device Marking for that device.

(6) Lead finish/Ball material - Orderable Devices may have multiple material finish options. Finish options are separated by a vertical ruled line. Lead finish/Ball material values may wrap to two lines if the finish value exceeds the maximum column width.

Important Information and Disclaimer:The information provided on this page represents TI's knowledge and belief as of the date that it is provided. TI bases its knowledge and belief on information provided by third parties, and makes no representation or warranty as to the accuracy of such information. Efforts are underway to better integrate information from third parties. TI has taken and continues to take reasonable steps to provide representative and accurate information but may not have conducted destructive testing or chemical analysis on incoming materials and chemicals. TI and TI suppliers consider certain information to be proprietary, and thus CAS numbers and other limited information may not be available for release.

In no event shall TI's liability arising out of such information exceed the total purchase price of the TI part(s) at issue in this document sold by TI to Customer on an annual basis.

IMPORTANT NOTICE AND DISCLAIMER

TI PROVIDES TECHNICAL AND RELIABILITY DATA (INCLUDING DATA SHEETS), DESIGN RESOURCES (INCLUDING REFERENCE DESIGNS), APPLICATION OR OTHER DESIGN ADVICE, WEB TOOLS, SAFETY INFORMATION, AND OTHER RESOURCES "AS IS" AND WITH ALL FAULTS, AND DISCLAIMS ALL WARRANTIES, EXPRESS AND IMPLIED, INCLUDING WITHOUT LIMITATION ANY IMPLIED WARRANTIES OF MERCHANTABILITY, FITNESS FOR A PARTICULAR PURPOSE OR NON-INFRINGEMENT OF THIRD PARTY INTELLECTUAL PROPERTY RIGHTS.

These resources are intended for skilled developers designing with TI products. You are solely responsible for (1) selecting the appropriate TI products for your application, (2) designing, validating and testing your application, and (3) ensuring your application meets applicable standards, and any other safety, security, regulatory or other requirements.

These resources are subject to change without notice. TI grants you permission to use these resources only for development of an application that uses the TI products described in the resource. Other reproduction and display of these resources is prohibited. No license is granted to any other TI intellectual property right or to any third party intellectual property right. TI disclaims responsibility for, and you will fully indemnify TI and its representatives against, any claims, damages, costs, losses, and liabilities arising out of your use of these resources.

TI's products are provided subject to [TI's Terms of Sale](#) or other applicable terms available either on [ti.com](https://www.ti.com) or provided in conjunction with such TI products. TI's provision of these resources does not expand or otherwise alter TI's applicable warranties or warranty disclaimers for TI products.

TI objects to and rejects any additional or different terms you may have proposed.

Mailing Address: Texas Instruments, Post Office Box 655303, Dallas, Texas 75265
Copyright © 2024, Texas Instruments Incorporated