

LPV821 650nA高精度ナノパワー・ゼロドリフト・アンプ

1 特長

- 静止電流: 650nA
- 低いオフセット電圧: $\pm 10\mu\text{V}$ (最大値)
- オフセット電圧ドリフト係数: $\pm 0.096\mu\text{V}/^\circ\text{C}$ (最大値)
- 0.1Hz~10Hzのノイズ: $3.9\mu\text{V}_{\text{PP}}$
- 入力バイアス電流: $\pm 7\text{pA}$
- ゲイン帯域幅: 8kHz
- 電源電圧: 1.7V~3.6V
- レール・ツー・レール入出力
- 業界標準のパッケージ
 - シングル: 5ピンSOT-23
- EMI強化

2 アプリケーション

- バッテリー駆動計測器
- ガス検出
- プロセス分析
- フォルト監視
- 電流検出
 - シャント抵抗
 - 変流器
- 温度計測
 - 高インピーダンス・サーミスタ
 - RTD、熱電対
- 歪みゲージ
 - 電子重量計
 - 圧力センサ

3 概要

LPV821は、低い入力オフセット電圧が要求されるワイヤレス/有線機器の「常時オン」センシング・アプリケーションに適した、1チャンネルのナノパワー・ゼロドリフト・オペアンプです。初期オフセット電圧とオフセット・ドリフトが低く、650nAの静止電流で8kHzの帯域幅を提供するLPV821は、業界最低水準の消費電力を実現するゼロドリフト・アンプであり、消費電流、温度、ガス、または歪みゲージを監視する最終機器に使用できます。

LPV821ゼロドリフト・オペアンプは、独自の自動較正技術の採用により、低いオフセット電圧(最大 $10\mu\text{V}$)を実現しながら、時間経過および温度変動に対するドリフトを最小限に抑えることができます。LPV821アンプは、オフセット電圧が低く、静止電流が極めて低いだけでなく、バイアス電流も非常に低いため(ピコアンペア単位)、出力インピーダンスの高いセンサ監視アプリケーションや、メガオームのフィードバック抵抗を含むアンプ構成で通常発生する誤差を低減できます。

製品情報⁽¹⁾

| 型番 | チャンネル数 | パッケージ | 本体サイズ(公称) |
|-----------------------|--------|------------|---------------|
| LPV821 | 1 | SOT-23 (5) | 2.90mmx1.60mm |
| LPV822 ⁽²⁾ | 2 | WSON (8) | 2.00mmx2.00mm |

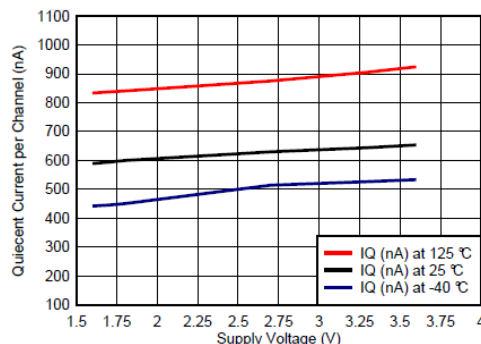
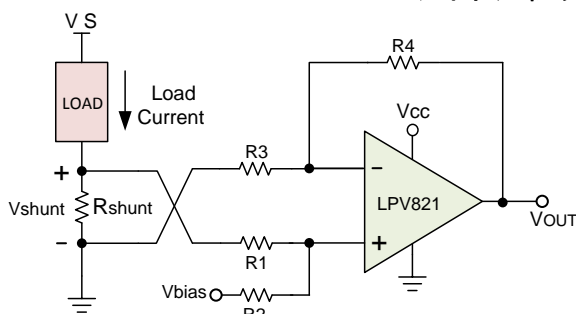
高精度ナノパワー・アンプ・ファミリ

| ファミリ | チャンネル数 | I_Q チャンネル | V_{OS} (最大値) | V_{SUPPLY} |
|--------|--------|-------------|------------------|--------------|
| LPV821 | 1 | 650nA | $10\mu\text{V}$ | 1.7~3.6V |
| LPV811 | 1 | 450nA | $370\mu\text{V}$ | 1.6~5.5V |
| LPV812 | 2 | 425nA | $300\mu\text{V}$ | 1.6~5.5V |
| OPA369 | 1, 2 | 800nA | $750\mu\text{V}$ | 1.8~5.5V |

(1) 利用可能なすべてのパッケージについては、このデータシートの末尾にある注文情報を参照してください。

(2) 近日リリース予定

ローサイド、常時オンの電流検出



目次

| | | | | | |
|----------|--|-----------|-----------|---------------------------------------|-----------|
| 1 | 特長 | 1 | 8.4 | Device Functional Modes | 13 |
| 2 | アプリケーション | 1 | 9 | Application and Implementation | 15 |
| 3 | 概要 | 1 | 9.1 | Application Information | 15 |
| 4 | 改訂履歴 | 2 | 9.2 | Typical Applications | 15 |
| 5 | 概要 (続き) | 2 | 10 | Power Supply Recommendations | 16 |
| 6 | Pin Configuration and Functions | 3 | 11 | Layout | 17 |
| 7 | Specifications | 4 | 11.1 | Layout Guidelines | 17 |
| 7.1 | Absolute Maximum Ratings | 4 | 11.2 | Layout Example | 17 |
| 7.2 | ESD Ratings | 4 | 12 | デバイスおよびドキュメントのサポート | 18 |
| 7.3 | Recommended Operating Conditions | 4 | 12.1 | デバイス・サポート | 18 |
| 7.4 | Thermal Information | 4 | 12.2 | 関連リンク | 18 |
| 7.5 | Electrical Characteristics | 5 | 12.3 | ドキュメントの更新通知を受け取る方法 | 18 |
| 7.6 | Typical Characteristics | 6 | 12.4 | コミュニティ・リソース | 18 |
| 8 | Detailed Description | 12 | 12.5 | 商標 | 18 |
| 8.1 | Overview | 12 | 12.6 | 静電気放電に関する注意事項 | 18 |
| 8.2 | Functional Block Diagram | 12 | 12.7 | Glossary | 18 |
| 8.3 | Feature Description | 12 | 13 | メカニカル、パッケージ、および注文情報 | 18 |

4 改訂履歴

2017年8月発行のものから更新

Page

| | | |
|---|---------------------|---|
| • | 事前情報から量産データのリリースに変更 | 1 |
|---|---------------------|---|

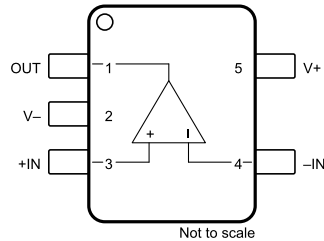
5 概要 (続き)

またLPV821アンプは、レール・ツー・レール入力同相範囲を持つ入力段と、レールから12mV以内でスイングする出力段を特長とすることから、最大限に広いダイナミック・レンジを確保できます。さらにEMI強化型であるため、携帯電話、WiFi、無線送信機、タグ・リーダーから発生する不要なRF信号への感受性が低下しています。

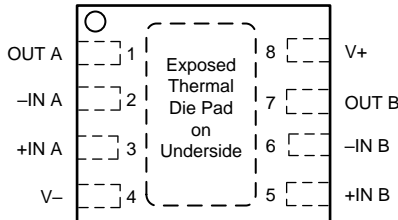
LPV821ゼロドリフト・アンプは最低1.7Vの単一電源電圧で動作することから、-40°C~125°Cの広い温度範囲にわたり低バッテリー状態での連続動作が可能です。LPV821 (シングル)は、業界標準の5ピンSOT-23パッケージで供給されます。

6 Pin Configuration and Functions

**LPV821 5-Pin SOT-23
DBV Package
Top View**



**LPV822 8-Pin WSON
DSG Package
Top View**



Pin Functions: LPV821 DBV

| PIN | | I/O | DESCRIPTION |
|------|--------|-----|---------------------------------|
| NAME | NUMBER | | |
| OUT | 1 | O | Output |
| V- | 2 | P | Negative (lowest) power supply |
| +IN | 3 | I | Non-Inverting Input |
| -IN | 4 | I | Inverting Input |
| V+ | 5 | P | Positive (highest) power supply |

Pin Functions: LPV822 DSG (Preview)

| PIN | | I/O | DESCRIPTION |
|-------|--------|-----|---------------------------------|
| NAME | NUMBER | | |
| OUT A | 1 | O | Channel A Output |
| -IN A | 2 | I | Channel A Inverting Input |
| +IN A | 3 | I | Channel A Non-Inverting Input |
| V- | 4 | P | Negative (lowest) power supply |
| +IN B | 5 | I | Channel B Non-Inverting Input |
| -IN B | 6 | I | Channel B Inverting Input |
| OUT B | 7 | O | Channel B Output |
| V+ | 8 | P | Positive (highest) power supply |

7 Specifications

7.1 Absolute Maximum Ratings

See ⁽¹⁾

| | | MIN | MAX | UNIT |
|--------------------------------|--|------------|------------|------|
| Voltage | Supply, $V_S = (V+) - (V-)$ | -0.3 | 4 | V |
| | Input/Output Pin Voltage ⁽²⁾ ⁽³⁾ | (V-) - 0.3 | (V+) + 0.3 | |
| | Differential Input Voltage +IN - (-IN) ⁽²⁾ | - 0.3 | + 0.3 | |
| Current | Signal input terminals ⁽²⁾ | -10 | 10 | mA |
| | Output short-circuit ⁽⁴⁾ | Continuous | Continuous | |
| Junction temperature | | | 150 | °C |
| Operating ambient temperature | | -40 | 125 | |
| Storage temperature, T_{stg} | | -65 | 150 | |

- (1) Stresses beyond those listed under *Absolute Maximum Ratings* may cause permanent damage to the device. These are stress ratings only, which do not imply functional operation of the device at these or any other conditions beyond those indicated under . Exposure to absolute-maximum-rated conditions for extended periods may affect device reliability.
- (2) Input terminals are diode-clamped to the power-supply rails. Input signals that can swing more than 0.3 V beyond the supply rails should be current limited to 10 mA or less.
- (3) Not to exceed -0.3V or +4.0V on ANY pin, referred to V-
- (4) Short-circuit to ground, one amplifier per package.

7.2 ESD Ratings

| | | | VALUE | UNIT |
|-------------|-------------------------|--|-------|------|
| $V_{(ESD)}$ | Electrostatic discharge | Human body model (HBM), per ANSI/ESDA/JEDEC JS-001 ⁽¹⁾ | ±2000 | V |
| | | Charged-device model (CDM), per JEDEC specification JESD22-C101 ⁽²⁾ | ±750 | |

- (1) JEDEC document JEP155 states that 500-V HBM allows safe manufacturing with a standard ESD control process.
- (2) JEDEC document JEP157 states that 250-V CDM allows safe manufacturing with a standard ESD control process.

7.3 Recommended Operating Conditions

over operating free-air temperature range (unless otherwise noted)

| | | MIN | NOM | MAX | UNIT |
|-----------------------|---------------------|-----|-----|-----|------|
| Supply voltage | $V_S = (V+) - (V-)$ | 1.7 | | 3.6 | V |
| Specified temperature | | -40 | | 125 | °C |

7.4 Thermal Information

| THERMAL METRIC | | LPV821 | UNIT |
|----------------------|--|-----------|------|
| | | DBV (SOT) | |
| | | 5 PINS | |
| $R_{\theta JA}$ | Junction-to-ambient thermal resistance | 218.4 | °C/W |
| $R_{\theta JC(top)}$ | Junction-to-case (top) thermal resistance | 101.3 | °C/W |
| $R_{\theta JB}$ | Junction-to-board thermal resistance | 52.9 | °C/W |
| Ψ_{JT} | Junction-to-top characterization parameter | 18.9 | °C/W |
| Ψ_{JB} | Junction-to-board characterization parameter | 52.4 | °C/W |
| $R_{\theta JC(bot)}$ | Junction-to-case (bottom) thermal resistance | N/A | °C/W |

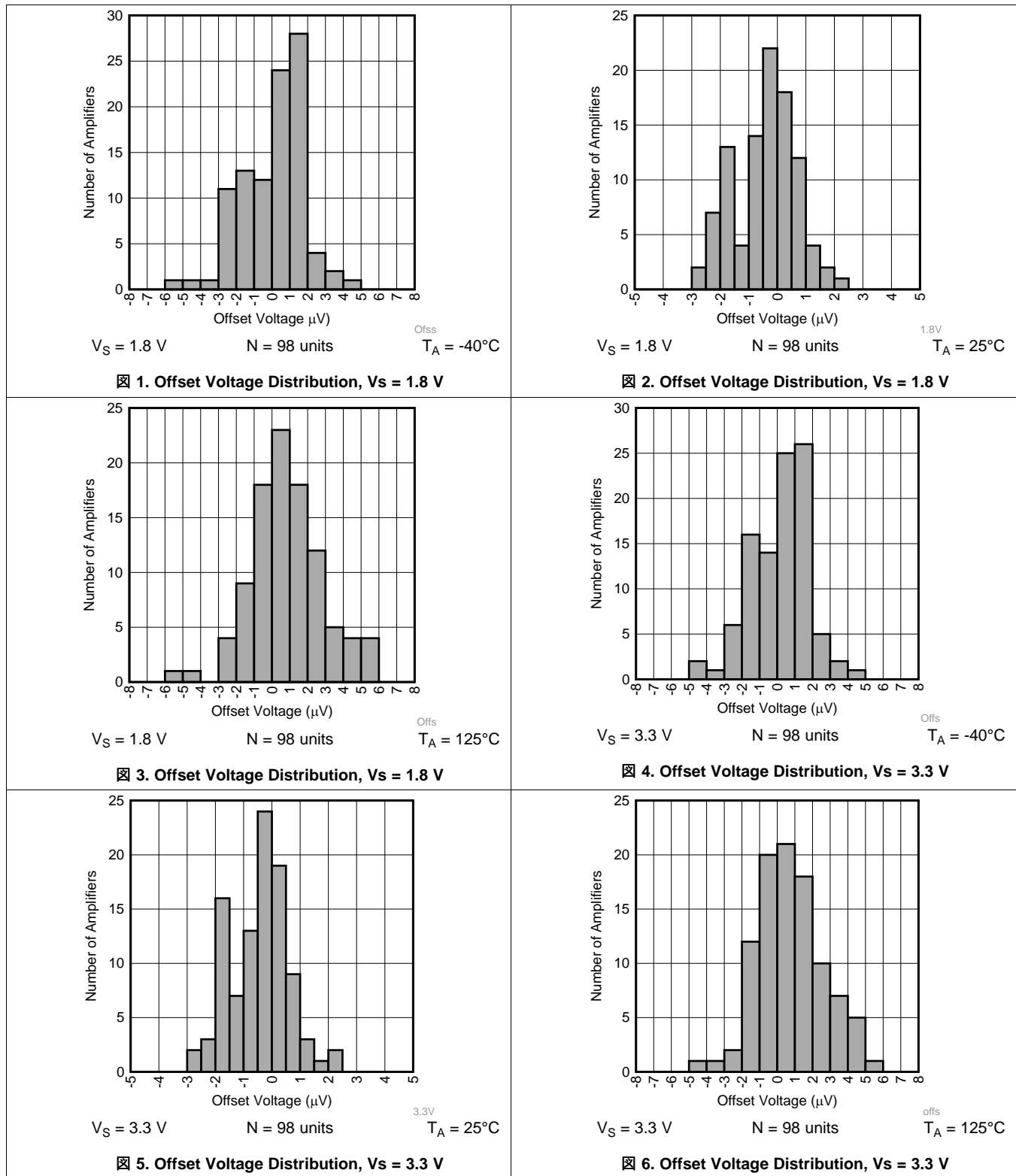
7.5 Electrical Characteristics

$T_A = 25^\circ\text{C}$, $V_S = 1.8\text{ V to }3.3\text{ V}$, $V_{CM} = V_{OUT} = V_S/2$, and $R_L \geq 10\text{ M}\Omega$ to $V_S/2$, unless otherwise noted.

| PARAMETER | | TEST CONDITIONS | MIN | TYP | MAX | UNIT |
|---------------------------|---|---|---------------------------|-------------------------|-------------|------------------------------|
| OFFSET VOLTAGE | | | | | | |
| V_{OS} | Input offset voltage | $V_S = 3.3\text{ V}$ | | ± 1.5 | ± 10 | μV |
| dV_{OS}/dT | Input offset voltage drift | $T_A = -40^\circ\text{C to }125^\circ\text{C}$, $V_S = 3.3\text{ V}$ | | ± 0.02 | ± 0.096 | $\mu\text{V}/^\circ\text{C}$ |
| PSRR | Power-supply rejection ratio | $V_S = 1.8\text{ V to }3.3\text{ V}$ | | 0.4 | 4.5 | $\mu\text{V/V}$ |
| INPUT BIAS CURRENT | | | | | | |
| I_B | Input bias current | +IN | $T_A = 25^\circ\text{C}$ | 7 | | pA |
| | | | $T_A = 125^\circ\text{C}$ | 7 | | |
| | | -IN | $T_A = 25^\circ\text{C}$ | -7 | | |
| | | | $T_A = 125^\circ\text{C}$ | -250 | | |
| I_{OS} | Input offset current | | | 14 | | pA |
| NOISE | | | | | | |
| E_n | Input voltage noise | $f = 0.1\text{ Hz to }10\text{ Hz}$ | | 3.9 | | μV_{PP} |
| e_n | Input voltage noise density | $f = 100\text{ Hz}$ | | 215 | | $\text{nV}/\sqrt{\text{Hz}}$ |
| i_n | Input current noise density | $f = 100\text{ Hz}$ | | 1 | | $\text{fA}/\sqrt{\text{Hz}}$ |
| INPUT VOLTAGE | | | | | | |
| V_{CM} | Common-mode voltage range | | (V-) | | (V+) | V |
| CMRR | Common-mode rejection ratio | $(V-) \leq V_{CM} \leq (V+)$, $V_S = 3.3\text{ V}$ | 100 | 125 | | dB |
| INPUT CAPACITANCE | | | | | | |
| | Differential | | | 3.3 | | pF |
| | Common-mode | | | 3.7 | | pF |
| OPEN-LOOP GAIN | | | | | | |
| A_{OL} | Open-loop voltage gain | $(V-) + 0.1\text{ V} \leq V_O \leq (V+) - 0.1\text{ V}$, $R_L = 100\text{ k}\Omega$ to $V_S/2$ | | 135 | | dB |
| FREQUENCY RESPONSE | | | | | | |
| GBW | Gain-bandwidth product | $C_L = 20\text{ pF}$, $R_L = 10\text{ M}\Omega$ | | 8 | | kHz |
| SR | Slew rate | $G = +1$, $C_L = 20\text{ pF}$ | | 3.3 | | V/ms |
| OUTPUT | | | | | | |
| V_{OH} | Voltage output swing from positive rail | $R_L = 100\text{ k}\Omega$ to $V^+/2$, $V_S = 3.3\text{ V}$ | | | 12 | mV |
| V_{OL} | Voltage output swing from negative rail | $R_L = 100\text{ k}\Omega$ to $V^+/2$, $V_S = 3.3\text{ V}$ | | | 12 | |
| I_{SC} | Short-circuit current | Sourcing, V_O to V_- , $V_{IN(diff)} = 100\text{ mV}$, $V_S = 3.3\text{ V}$ | | 21 | | mA |
| | | Sinking, V_O to V_+ , $V_{IN(diff)} = -100\text{ mV}$, $V_S = 3.3\text{ V}$ | | 50 | | |
| C_L | Capacitive load drive | | | See 表 1 | | |
| Z_O | Open-loop output impedance | $f = 100\text{ Hz}$, $I_O = 0\text{ A}$ | | 80 | | k Ω |
| POWER SUPPLY | | | | | | |
| I_Q | Quiescent current per channel | $V_{CM} = V_S/2$, $I_O = 0$, $V_S = 3.3\text{ V}$ | | 650 | 790 | nA |

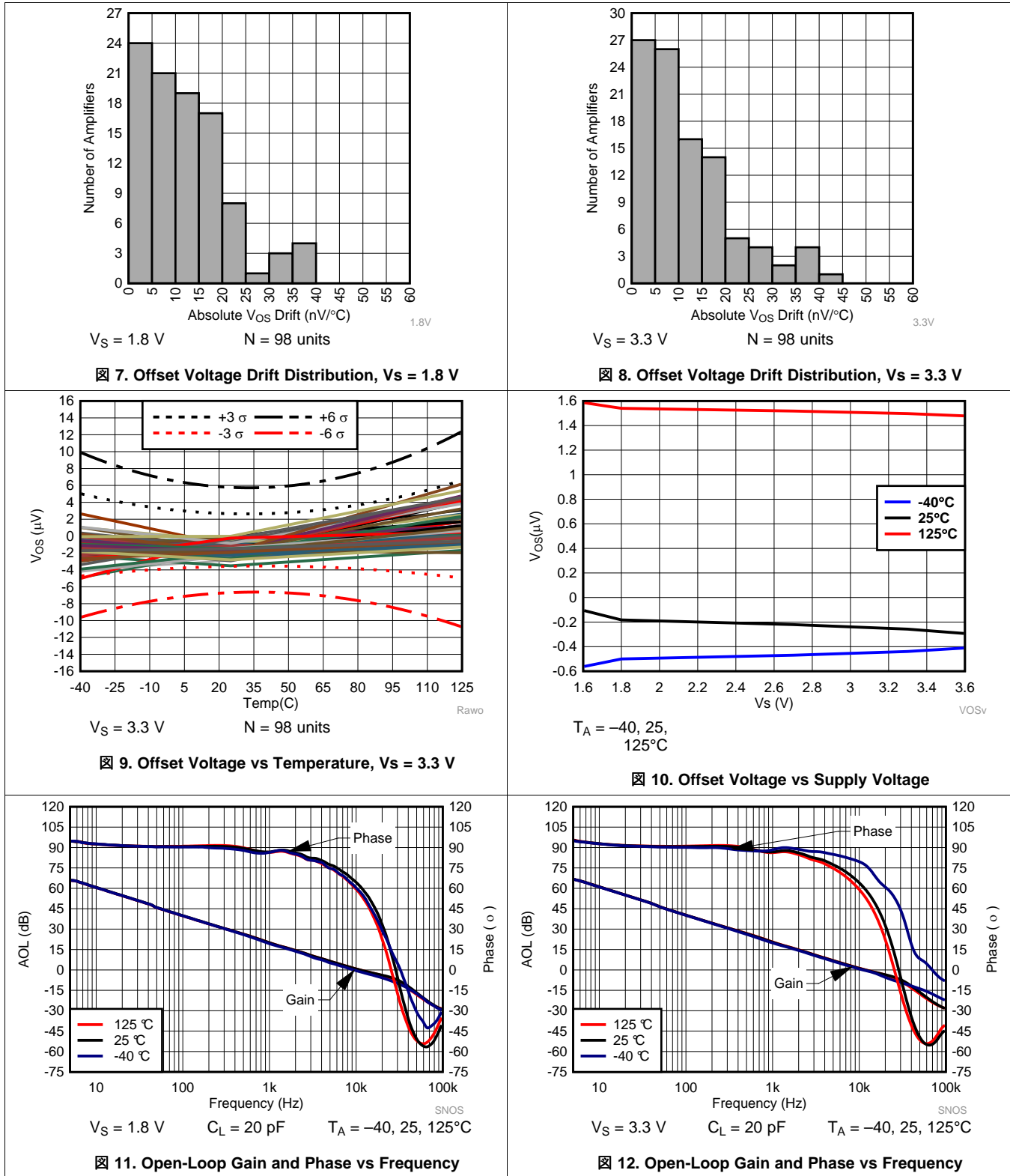
7.6 Typical Characteristics

At $T_A = 25^\circ\text{C}$, $V_S = 3.3\text{ V}$, $V_{CM} = V_{OUT} = V_S/2$, $C_L = 20\text{ pF}$, and $R_L \geq 10\text{ M}\Omega$, unless otherwise noted.



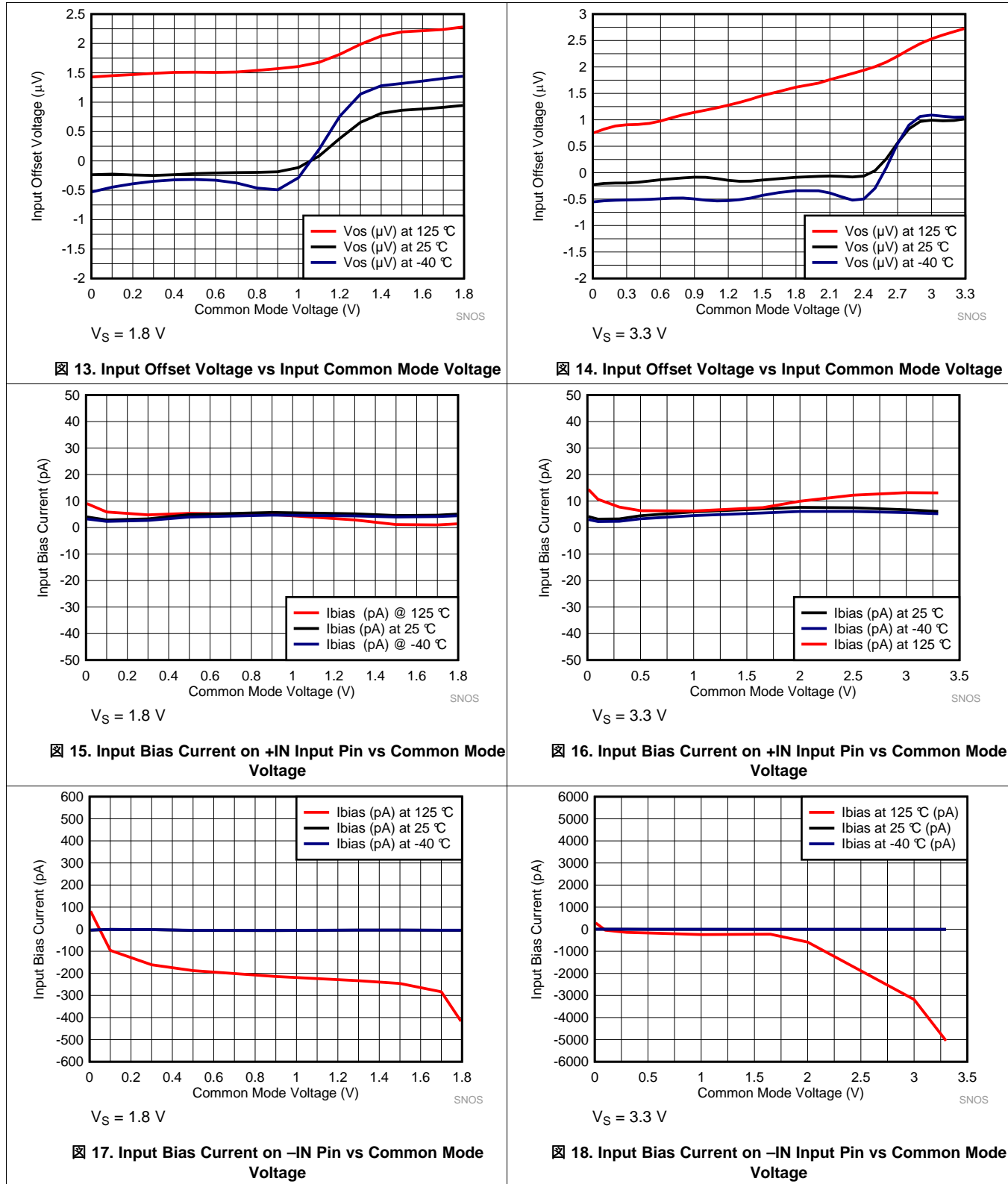
Typical Characteristics (continued)

At $T_A = 25^\circ\text{C}$, $V_S = 3.3\text{ V}$, $V_{CM} = V_{OUT} = V_S/2$, $C_L = 20\text{ pF}$, and $R_L \geq 10\text{ M}\Omega$, unless otherwise noted.



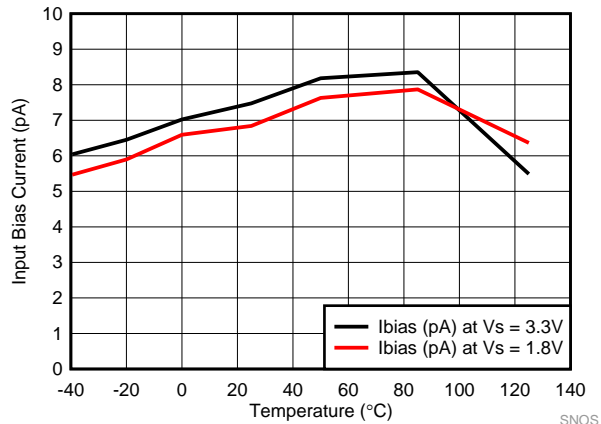
Typical Characteristics (continued)

At $T_A = 25^\circ\text{C}$, $V_S = 3.3\text{ V}$, $V_{CM} = V_{OUT} = V_S/2$, $C_L = 20\text{ pF}$, and $R_L \geq 10\text{ M}\Omega$, unless otherwise noted.



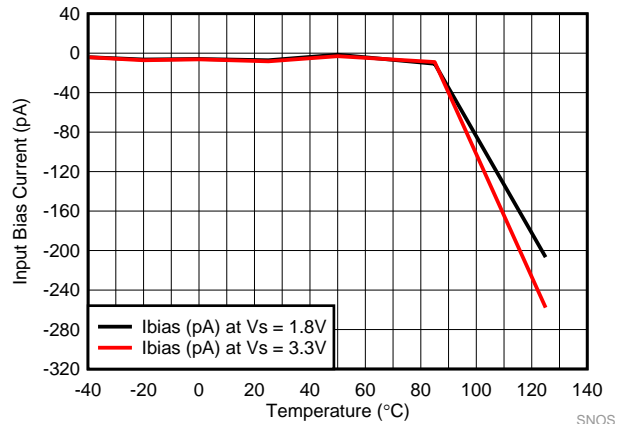
Typical Characteristics (continued)

At $T_A = 25^\circ\text{C}$, $V_S = 3.3\text{ V}$, $V_{CM} = V_{OUT} = V_S/2$, $C_L = 20\text{ pF}$, and $R_L \geq 10\text{ M}\Omega$, unless otherwise noted.



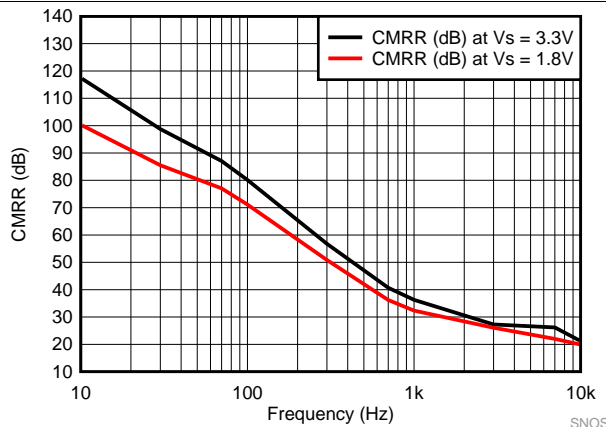
$V_S = 3.3\text{ V}$ and 1.8 V

19. Input Bias Current ON +IN Input vs Temperature



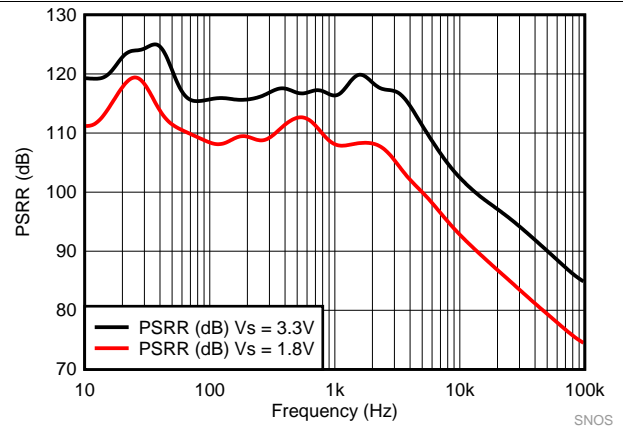
$V_S = 3.3\text{ V}$ and 1.8 V

20. Input Bias Current on -IN Input Pin vs Temperature



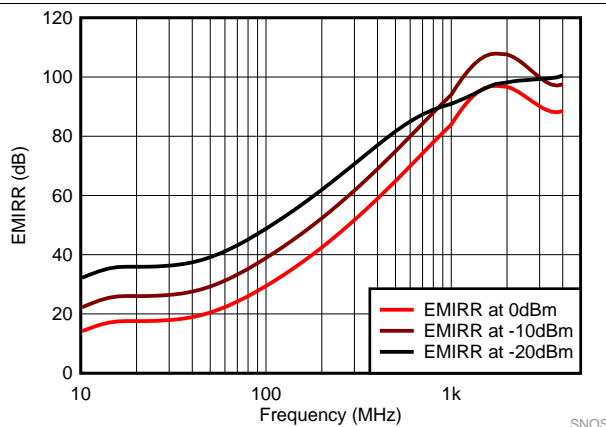
$V_S = 3.3\text{ V}$ and 1.8 V

21. CMRR vs Frequency

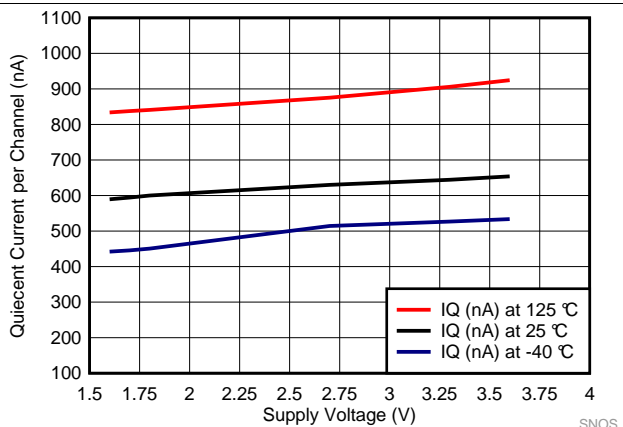


$V_S = 3.3\text{ V}$ and 1.8 V

22. PSRR vs Frequency



23. EMIRR Performance

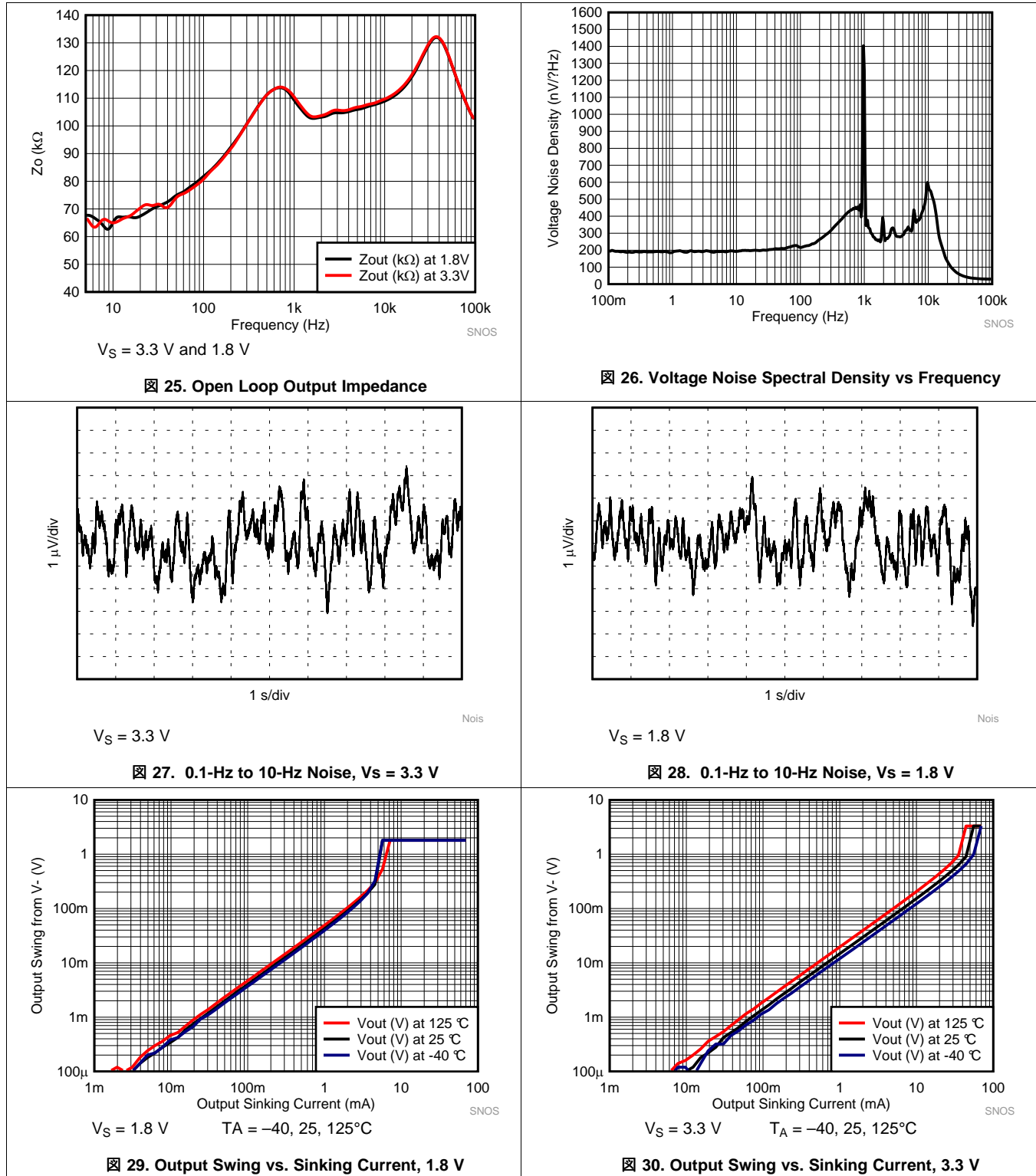


$T_A = -40, 25, 125^\circ\text{C}$

24. Per Channel Quiescent Current vs Supply Voltage

Typical Characteristics (continued)

At $T_A = 25^\circ\text{C}$, $V_S = 3.3\text{ V}$, $V_{CM} = V_{OUT} = V_S/2$, $C_L = 20\text{ pF}$, and $R_L \geq 10\text{ M}\Omega$, unless otherwise noted.



Typical Characteristics (continued)

At $T_A = 25^\circ\text{C}$, $V_S = 3.3\text{ V}$, $V_{CM} = V_{OUT} = V_S/2$, $C_L = 20\text{ pF}$, and $R_L \geq 10\text{ M}\Omega$, unless otherwise noted.

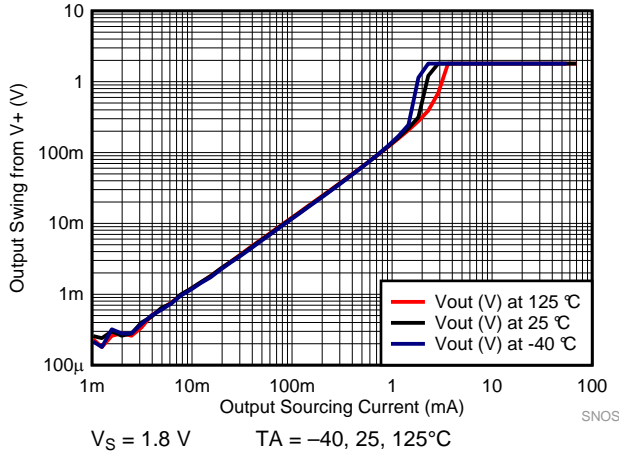


图 31. Output Swing vs Sourcing Current, 1.8 V

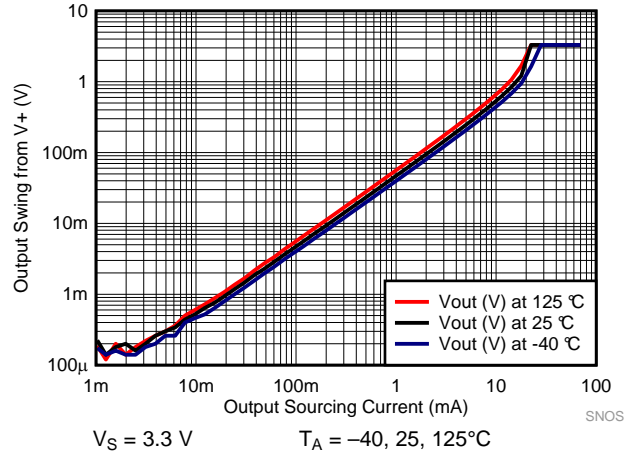


图 32. Output Swing vs Sourcing Current, 3.3 V

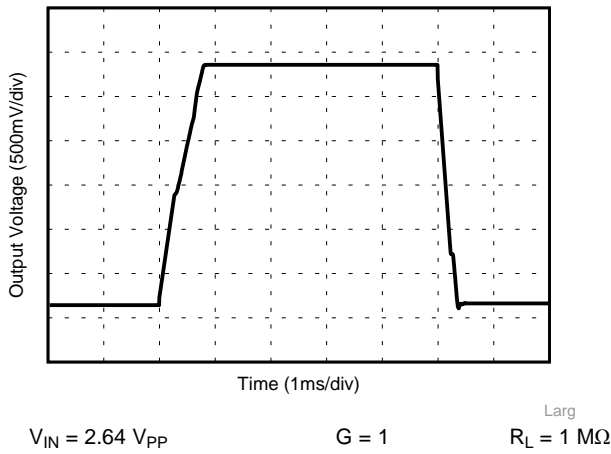


图 33. Large-Signal Response, 3.3V

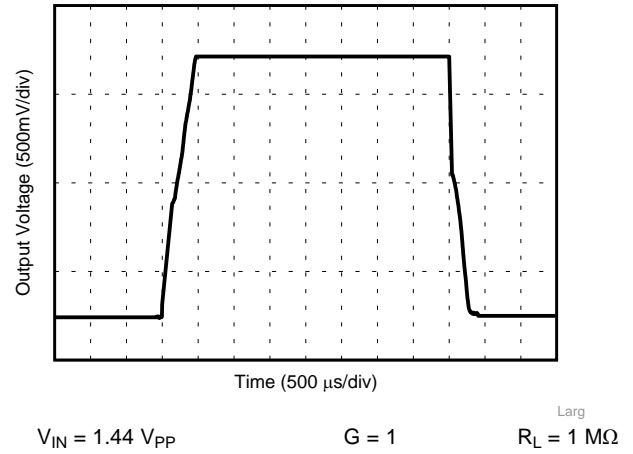


图 34. Large-Signal Response, 1.8V

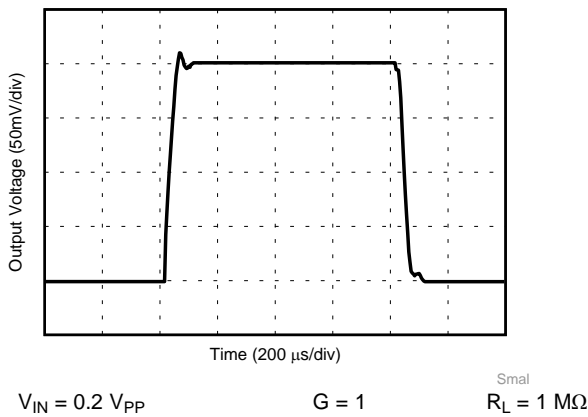


图 35. Small Signal Response, 3.3V

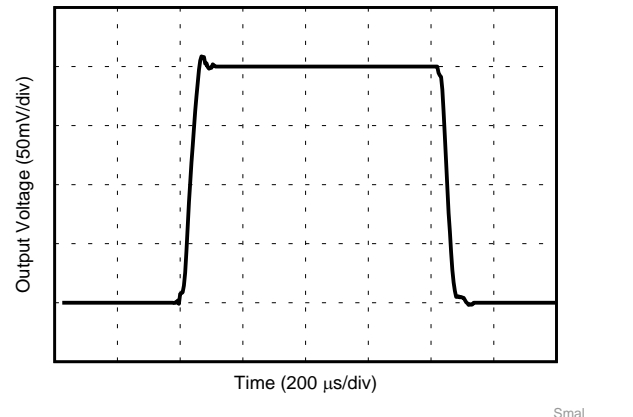


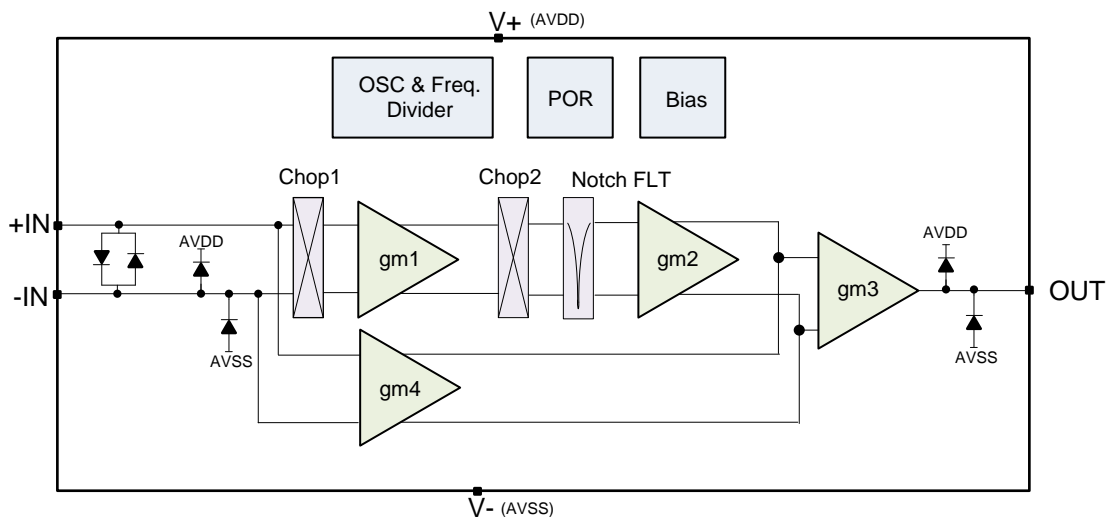
图 36. Small-Signal Response, 1.8V

8 Detailed Description

8.1 Overview

The LPV821 is a zero-drift, nanopower, rail-to-rail input and output operational amplifier. The device operates from 1.7 V to 3.7 V, is unity-gain stable, and is suitable for a wide range of general-purpose applications. The zero-drift architecture provides ultra low offset voltage and near-zero offset voltage drift.

8.2 Functional Block Diagram



8.3 Feature Description

The LPV821 is unity-gain stable and uses an auto-calibration technique to provide low offset voltage and very low drift over time and temperature. For lowest offset voltage and precision performance, optimize circuit layout and mechanical conditions. Avoid temperature gradients that create thermoelectric (Seebeck) effects in the thermocouple junctions formed from connecting dissimilar conductors. Cancel these thermally-generated potentials by assuring they are equal on both input terminals. Other layout and design considerations include:

- Use low thermoelectric-coefficient conditions (avoid dissimilar metals).
- Thermally isolate components from power supplies or other heat sources.
- Shield operational amplifier and input circuitry from air currents, such as cooling fans.

Following these guidelines reduces the likelihood of junctions being at different temperatures, which can cause thermoelectric voltages of 0.1 $\mu\text{V}/^\circ\text{C}$ or higher, depending on materials used.

8.3.1 Operating Voltage

The LPV821 operational amplifier operates over a power-supply range of 1.7 V to 3.6 V (± 0.85 V to ± 1.8 V). Parameters that vary over supply voltage or temperature are shown in the [Typical Characteristics](#) section.

注意

Supply voltages higher than 4 V (absolute maximum) can permanently damage the device.

Feature Description (continued)

8.3.2 Input

The LPV821 input common-mode voltage range extends to the supply rails. Typically, the input bias current is approximately 7 pA; however, input voltages that exceed the power supplies can cause excessive current to flow into or out of the input pins. Momentary voltages greater than the power supply can be tolerated if the input current is limited to 10 mA. This limitation is easily accomplished with adding a resistor in series with the input, as shown in [Figure 37](#).

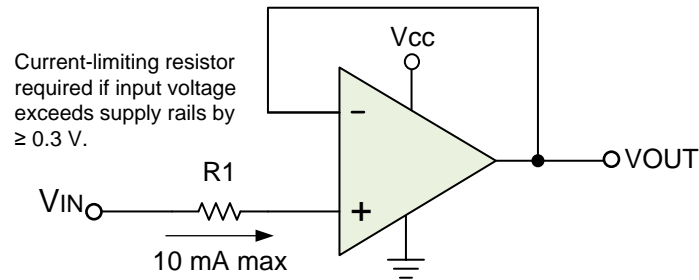


Figure 37. Input Current Protection

8.3.3 Internal Offset Correction

The LPV821 operational amplifier combines an auto-calibration technique with a time-continuous 8-kHz operational amplifier in the signal path. The amplifier's offset is zero-corrected every 1 ms using a proprietary technique. This design has no aliasing or flicker (1/f) noise.

8.3.4 Input Offset Voltage Drift

The LPV821 operational amplifier's input voltage offset drift is defined over the entire temperature range of -40°C to 125°C . The maximum input voltage drift allows designers to calculate the worst-case input offset change over this temperature range. The maximum input voltage drift over temperature is defined using [Equation 1](#):

$$dV_{OS}/dT = \Delta V_{OS} / \Delta T$$

where

- ΔV_{OS} = Change in input offset voltage
- ΔT = Change in temperature ($125^{\circ}\text{C} - (-40^{\circ}\text{C}) = 165^{\circ}\text{C}$)
- dV_{OS}/dT = Input offset voltage drift

(1)

The LPV821 datasheet maximum value for input offset voltage drift is specified for a sample size with a C_{pk} (process capability index) of 2.0.

8.4 Device Functional Modes

The LPV821 has a single functional mode. The device is powered on as long as the power supply voltage is between 1.7 V (± 0.85 V) and 3.6 V (± 1.8 V).

8.4.1 EMI Performance and Input Filtering

Operational amplifiers vary in susceptibility to EMI. If conducted EMI enters the operational amplifier, the dc offset at the amplifier output can shift from its nominal value when EMI is present. This shift is a result of signal rectification associated with the internal semiconductor junctions. Although all operational amplifier pin functions can be affected by EMI, the input pins are likely to be the most susceptible. The LPV821 operational amplifier incorporates an internal input low-pass filter that reduces the amplifier response to EMI. Both common mode and differential-mode filtering are provided by the input filter.

Device Functional Modes (continued)

8.4.2 Driving Capacitive Load

The LPV821 is internally compensated for stable unity-gain operation, with a 8-kHz typical gain bandwidth. However, the unity-gain follower is the most sensitive configuration-to-capacitive load. The combination of a capacitive load placed directly on the output of an amplifier along with the output impedance of the amplifier creates a phase lag, which reduces the phase margin of the amplifier. If the phase margin is significantly reduced, the response is under-damped, which causes peaking in the transfer and, when there is too much peaking, the op amp might start oscillating.

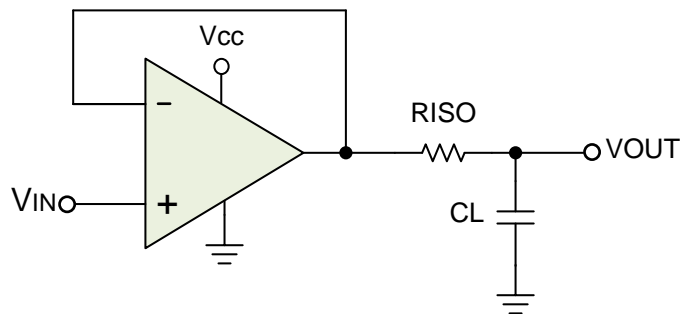


图 38. Resistive Isolation of Capacitive Load

In order to drive heavy (> 50 pF) capacitive loads, use an isolation resistor, R_{ISO} , as shown in 图 38. The value of the R_{ISO} to be used should be decided depending on the size of the C_L and the level of performance desired. Recommended minimum values for R_{ISO} are given in the following table, for 3.3V supply. 图 39 shows the typical response obtained with the $C_L = 50$ pF $R_{ISO} = 160$ k Ω . By using the isolation resistor, the capacitive load is isolated from the output of the amplifier. The larger the value of R_{ISO} , the more stable the amplifier will be. If the value of R_{ISO} is sufficiently large, the feedback loop is stable, independent of the value of C_L . However, larger values of R_{ISO} (e.g. 50 k Ω) result in reduced output swing and reduced output current drive.

表 1. Capacitive Loads vs. Needed Isolation Resistors

| C_L | R_{ISO} |
|-----------|-----------------|
| 0 – 20 pF | not needed |
| 50 pF | 160 k Ω |
| 100 pF | 140 k Ω |
| 500 pF | 54.9 k Ω |
| 1 nF | 33 k Ω |
| 5 nF | 15 k Ω |
| 10 nF | 5.62 k Ω |

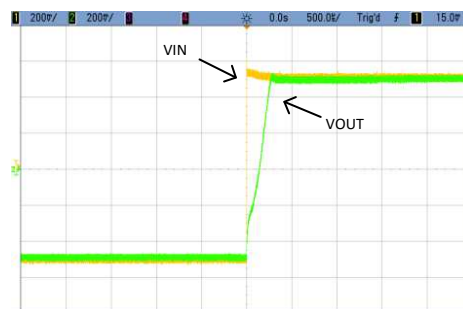


图 39. Typical Step Response

9 Application and Implementation

注

Information in the following applications sections is not part of the TI component specification, and TI does not warrant its accuracy or completeness. TI's customers are responsible for determining suitability of components for their purposes. Customers should validate and test their design implementation to confirm system functionality.

9.1 Application Information

The LPV821 is a unity-gain stable, precision operational amplifier with very low offset voltage drift; the device is also free from output phase reversal. Applications with noisy or high-impedance power supplies require decoupling capacitors close to the device power-supply pins. In most cases, 0.1- μ F capacitors are adequate.

9.2 Typical Applications

9.2.1 Low-Side Current Measurement

This single-supply, low-side, current-sensing solution shown in [Figure 40](#) detects load currents up to 1 A. This design uses the LPV821 because of its low offset voltage and rail-to-rail input and output. The LPV821 in the main signal path is configured as a difference amplifier and a second LPV821 provides a buffered bias voltage to allow transition of signal below and above the bias level for bi-direction current sensing. The low offset voltage and offset drift of the LPV821 facilitate excellent dc accuracy for the circuit.

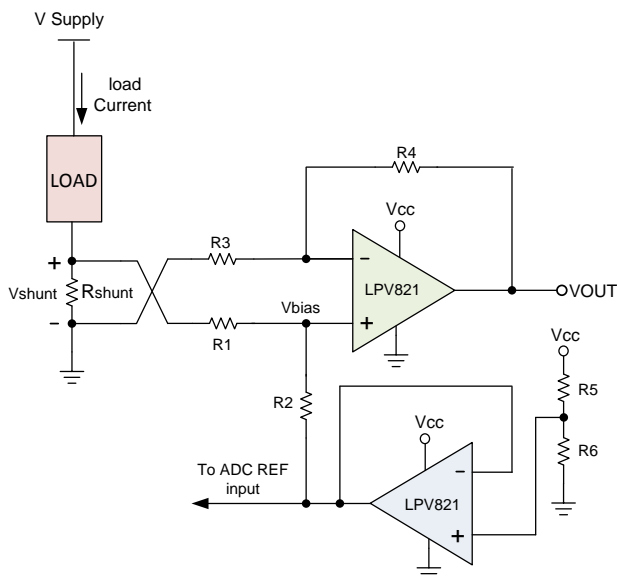


Figure 40. Low-Side Current Measurement

9.2.1.1 Design Requirements

The design requirements are as follows:

- Supply Voltage: 3.3 V DC
- Input: 1 A (Max)
- Output: $1.65\text{V} \pm 1.54\text{ V}$; (110 mV to 3.19 V)

Typical Applications (continued)

9.2.1.2 Detailed Design Procedure

Referring to [Figure 40](#), the load current passing through the shunt resistor (R_{shunt}) develops the shunt voltage, V_{shunt} across the resistor. The shunt voltage is then amplified by the LPV821 by the ratio of R_4 by R_3 . The gain of the difference amplifier is set by the ratio of R_4 to R_3 . To minimize errors, set $R_2 = R_4$ and $R_1 = R_3$. The bias voltage is supplied by buffering a resistor divider using a second LPV821 nanowatt op amp. The circuit equations are provided below.

$$V_{out} = V_{shunt} * Gain_{Diff} + V_{bias} \quad (2)$$

$$V_{shunt} = I_{load} * R_{shunt} \quad (3)$$

$$Gain_{Diff} = R_4 / R_3 \quad (4)$$

$$V_{bias} = [R_6 / (R_6 + R_5)] * V_{CC} \quad (5)$$

$$R_{shunt} = [V_{shunt} (max)] / [I_{load} (max)] \quad (6)$$

Because V_{shunt} is a low-side measurement, a maximum value 100 mV was selected.

$$R_{shunt} = V_{shunt} / I_{load} = 100mV / 1A = 100m\Omega \quad (7)$$

The tolerance of the shunt resistor, the ratio of R_4 to R_3 and the ratio of R_2 to R_1 are the main sources of gain error in the signal path. To optimize the cost, a shunt resistor with a tolerance of 0.5% was chosen. The main sources of offset errors in the circuit are the voltage divider network comprised of R_5 , R_6 and how closely the ratio of R_4 / R_3 matches the ratio of R_2 / R_1 . The latter value affects the CMRR of the difference amplifier, ultimately translating to an offset error.

The shunt voltage is scaled down by a divider network made of R_1 and R_2 before reaching the LPV821 amplifier stage. The voltage present at the non-inverting node of the LPV821 should not exceed the common-mode range of the device. The extremely low offset voltage and drift of the LPV821 ensures minimized offset error in the measurement.

In case a bi-direction current sensing is required, for symmetric load current of -1 A to 1 A, the voltage divider resistors R_5 and R_6 must be equal. To minimize power consumption, 100-k Ω resistors with a tolerance of 0.5% were selected.

To set the gain of the difference amplifier, the common-mode range and output swing of the LPV821 must be considered. The gain of the difference amplifier can now be calculated as shown below

$$Gain = [V_{out} (max) - V_{out} (min)] / [R_{shunt} * (I_{max} - I_{min})] = [3.2 V - 100 mV] / [100 m\Omega] * [1A - (-1A)] = 15.5 V / V \quad (8)$$

10 Power Supply Recommendations

The LPV821 is specified for operation from 1.7 V to 3.6 (± 0.85 V to ± 1.8 V); many specifications apply from -40°C to 125°C . The [Typical Characteristics](#) presents parameters that can exhibit significant variance with regard to operating voltage or temperature.

注意

Supply voltages larger than 4 V can permanently damage the device (see the [Absolute Maximum Ratings](#)).

TI recommends placing 0.1- μF bypass capacitors close to the power-supply pins to reduce errors coupling in from noisy or high-impedance power supplies. For more detailed information on bypass capacitor placement, refer to the [Layout](#) section.

11 Layout

11.1 Layout Guidelines

11.1.1 General Layout Guidelines

Pay attention to good layout practices. Keep traces short and when possible, use a printed-circuit-board (PCB) ground plane with surface-mount components placed as close to the device pins as possible. Place a 0.1- μ F capacitor closely across the supply pins. Apply these guidelines throughout the analog circuit to improve performance and provide benefits, such as reducing the electromagnetic interference (EMI) susceptibility.

Operational amplifiers vary in susceptibility to radio frequency interference (RFI). RFI can generally be identified as a variation in offset voltage or DC signal levels with changes in the interfering RF signal. The LPV821 is specifically designed to minimize susceptibility to RFI and demonstrates remarkably low sensitivity compared to previous generation devices. Strong RF fields may still cause varying offset levels.

11.2 Layout Example

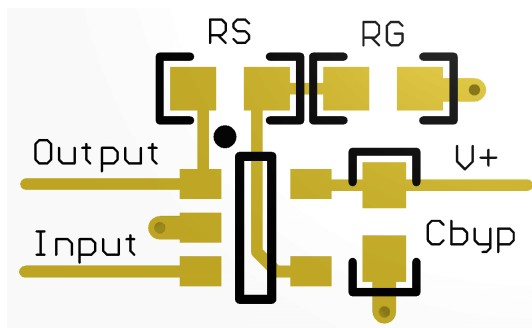


图 41. SOT-23 Layout Example

12 デバイスおよびドキュメントのサポート

12.1 デバイス・サポート

12.1.1 開発サポート

[TINA-TI SPICEベースのアナログ・シミュレーション・プログラム](#)

[DIP アダプタ評価モジュール](#)

[TIユニバーサル・オペアンプ評価モジュール](#)

[TI FilterProフィルタ設計ソフトウェア](#)

12.2 関連リンク

次の表に、クイック・アクセス・リンクを示します。カテゴリには、技術資料、サポートおよびコミュニティ・リソース、ツールとソフトウェア、およびサンプル注文またはご購入へのクイック・アクセスが含まれます。

表 2. 関連リンク

| 製品 | プロダクト・フォルダ | サンプルとご購入 | 技術資料 | ツールとソフトウェア | サポートとコミュニティ |
|--------|-------------------------|-------------------------|-------------------------|-------------------------|-------------------------|
| LPV821 | ここをクリック | ここをクリック | ここをクリック | ここをクリック | ここをクリック |

12.3 ドキュメントの更新通知を受け取る方法

ドキュメントの更新についての通知を受け取るには、[ti.com](#)のデバイス製品フォルダを開いてください。右上の隅にある「通知を受け取る」をクリックして登録すると、変更されたすべての製品情報に関するダイジェストを毎週受け取れます。変更の詳細については、修正されたドキュメントに含まれている改訂履歴をご覧ください。

12.4 コミュニティ・リソース

The following links connect to TI community resources. Linked contents are provided "AS IS" by the respective contributors. They do not constitute TI specifications and do not necessarily reflect TI's views; see TI's [Terms of Use](#).

TI E2E™オンライン・コミュニティ *TIのE2E (Engineer-to-Engineer)* コミュニティ。エンジニア間の共同作業を促進するために開設されたものです。e2e.ti.comでは、他のエンジニアに質問し、知識を共有し、アイデアを検討して、問題解決に役立てることができます。

設計サポート *TIの設計サポート* 役に立つE2Eフォーラムや、設計サポート・ツールをすばやく見つけることができます。技術サポート用の連絡先情報も参照できます。

12.5 商標

E2E is a trademark of Texas Instruments.

12.6 静電気放電に関する注意事項



すべての集積回路は、適切なESD保護方法を用いて、取扱いと保存を行うようにして下さい。

静電気放電はわずかな性能の低下から完全なデバイスの故障に至るまで、様々な損傷を与えます。高精度の集積回路は、損傷に対して敏感であり、極めてわずかなパラメータの変化により、デバイスに規定された仕様に適合しなくなる場合があります。

12.7 Glossary

[SLYZ022](#) — *TI Glossary*.

This glossary lists and explains terms, acronyms, and definitions.

13 メカニカル、パッケージ、および注文情報

以降のページには、メカニカル、パッケージ、および注文に関する情報が記載されています。この情報は、そのデバイスについて利用可能な最新のデータです。このデータは予告なく変更されることがあり、ドキュメントが改訂される場合もあります。本データシートのブラウザ版を使用されている場合は、画面左側の説明をご覧ください。

PACKAGING INFORMATION

| Orderable part number | Status (1) | Material type (2) | Package Pins | Package qty Carrier | RoHS (3) | Lead finish/ Ball material (4) | MSL rating/ Peak reflow (5) | Op temp (°C) | Part marking (6) |
|----------------------------|---------------|----------------------|------------------|-----------------------|-------------|--------------------------------------|-----------------------------------|--------------|---------------------|
| LPV821DBVR | Active | Production | SOT-23 (DBV) 5 | 3000 LARGE T&R | Yes | NIPDAU SN | Level-1-260C-UNLIM | -40 to 125 | 1CHF |

⁽¹⁾ **Status:** For more details on status, see our [product life cycle](#).

⁽²⁾ **Material type:** When designated, preproduction parts are prototypes/experimental devices, and are not yet approved or released for full production. Testing and final process, including without limitation quality assurance, reliability performance testing, and/or process qualification, may not yet be complete, and this item is subject to further changes or possible discontinuation. If available for ordering, purchases will be subject to an additional waiver at checkout, and are intended for early internal evaluation purposes only. These items are sold without warranties of any kind.

⁽³⁾ **RoHS values:** Yes, No, RoHS Exempt. See the [TI RoHS Statement](#) for additional information and value definition.

⁽⁴⁾ **Lead finish/Ball material:** Parts may have multiple material finish options. Finish options are separated by a vertical ruled line. Lead finish/Ball material values may wrap to two lines if the finish value exceeds the maximum column width.

⁽⁵⁾ **MSL rating/Peak reflow:** The moisture sensitivity level ratings and peak solder (reflow) temperatures. In the event that a part has multiple moisture sensitivity ratings, only the lowest level per JEDEC standards is shown. Refer to the shipping label for the actual reflow temperature that will be used to mount the part to the printed circuit board.

⁽⁶⁾ **Part marking:** There may be an additional marking, which relates to the logo, the lot trace code information, or the environmental category of the part.

Multiple part markings will be inside parentheses. Only one part marking contained in parentheses and separated by a "-" will appear on a part. If a line is indented then it is a continuation of the previous line and the two combined represent the entire part marking for that device.

Important Information and Disclaimer: The information provided on this page represents TI's knowledge and belief as of the date that it is provided. TI bases its knowledge and belief on information provided by third parties, and makes no representation or warranty as to the accuracy of such information. Efforts are underway to better integrate information from third parties. TI has taken and continues to take reasonable steps to provide representative and accurate information but may not have conducted destructive testing or chemical analysis on incoming materials and chemicals. TI and TI suppliers consider certain information to be proprietary, and thus CAS numbers and other limited information may not be available for release.

In no event shall TI's liability arising out of such information exceed the total purchase price of the TI part(s) at issue in this document sold by TI to Customer on an annual basis.

TAPE AND REEL INFORMATION

QUADRANT ASSIGNMENTS FOR PIN 1 ORIENTATION IN TAPE


*All dimensions are nominal

| Device | Package Type | Package Drawing | Pins | SPQ | Reel Diameter (mm) | Reel Width W1 (mm) | A0 (mm) | B0 (mm) | K0 (mm) | P1 (mm) | W (mm) | Pin1 Quadrant |
|------------|--------------|-----------------|------|------|--------------------|--------------------|---------|---------|---------|---------|--------|---------------|
| LPV821DBVR | SOT-23 | DBV | 5 | 3000 | 180.0 | 8.4 | 3.2 | 3.2 | 1.4 | 4.0 | 8.0 | Q3 |
| LPV821DBVR | SOT-23 | DBV | 5 | 3000 | 180.0 | 8.4 | 3.2 | 3.2 | 1.4 | 4.0 | 8.0 | Q3 |

TAPE AND REEL BOX DIMENSIONS


*All dimensions are nominal

| Device | Package Type | Package Drawing | Pins | SPQ | Length (mm) | Width (mm) | Height (mm) |
|------------|--------------|-----------------|------|------|-------------|------------|-------------|
| LPV821DBVR | SOT-23 | DBV | 5 | 3000 | 210.0 | 185.0 | 35.0 |
| LPV821DBVR | SOT-23 | DBV | 5 | 3000 | 210.0 | 185.0 | 35.0 |

EXAMPLE BOARD LAYOUT

DBV0005A

SOT-23 - 1.45 mm max height

SMALL OUTLINE TRANSISTOR



LAND PATTERN EXAMPLE
EXPOSED METAL SHOWN
SCALE:15X



SOLDER MASK DETAILS

4214839/K 08/2024

NOTES: (continued)

- 6. Publication IPC-7351 may have alternate designs.
- 7. Solder mask tolerances between and around signal pads can vary based on board fabrication site.

EXAMPLE STENCIL DESIGN

DBV0005A

SOT-23 - 1.45 mm max height

SMALL OUTLINE TRANSISTOR



SOLDER PASTE EXAMPLE
BASED ON 0.125 mm THICK STENCIL
SCALE:15X

4214839/K 08/2024

NOTES: (continued)

8. Laser cutting apertures with trapezoidal walls and rounded corners may offer better paste release. IPC-7525 may have alternate design recommendations.
9. Board assembly site may have different recommendations for stencil design.

重要なお知らせと免責事項

テキサス・インスツルメンツは、技術データと信頼性データ(データシートを含みます)、設計リソース(リファレンス デザインを含みます)、アプリケーションや設計に関する各種アドバイス、Web ツール、安全性情報、その他のリソースを、欠陥が存在する可能性のある「現状のまま」提供しており、商品性および特定目的に対する適合性の黙示保証、第三者の知的財産権の非侵害保証を含むいかなる保証も、明示的または黙示的にかかわらず拒否します。

これらのリソースは、テキサス・インスツルメンツ製品を使用する設計の経験を積んだ開発者への提供を意図したものです。(1) お客様のアプリケーションに適したテキサス・インスツルメンツ製品の選定、(2) お客様のアプリケーションの設計、検証、試験、(3) お客様のアプリケーションに該当する各種規格や、その他のあらゆる安全性、セキュリティ、規制、または他の要件への確実な適合に関する責任を、お客様のみが単独で負うものとし、ます。

上記の各種リソースは、予告なく変更される可能性があります。これらのリソースは、リソースで説明されているテキサス・インスツルメンツ製品を使用するアプリケーションの開発の目的でのみ、テキサス・インスツルメンツはその使用をお客様に許諾します。これらのリソースに関して、他の目的で複製することや掲載することは禁止されています。テキサス・インスツルメンツや第三者の知的財産権のライセンスが付与されている訳ではありません。お客様は、これらのリソースを自身で使用した結果発生するあらゆる申し立て、損害、費用、損失、責任について、テキサス・インスツルメンツおよびその代理人を完全に補償するものとし、テキサス・インスツルメンツは一切の責任を拒否します。

テキサス・インスツルメンツの製品は、[テキサス・インスツルメンツの販売条件](#)、または [ti.com](https://www.ti.com) やかかるテキサス・インスツルメンツ製品の関連資料などのいずれかを通じて提供する適用可能な条項の下で提供されています。テキサス・インスツルメンツがこれらのリソースを提供することは、適用されるテキサス・インスツルメンツの保証または他の保証の放棄の拡大や変更を意味するものではありません。

お客様がいかなる追加条項または代替条項を提案した場合でも、テキサス・インスツルメンツはそれらに異議を唱え、拒否します。

郵送先住所：Texas Instruments, Post Office Box 655303, Dallas, Texas 75265
Copyright © 2025, Texas Instruments Incorporated