

## SN74AHCT1G126 3 ステート出力搭載シングル・バス・バッファ・ゲート

### 1 特長

- 動作範囲: 4.5V~5.5V
- 最大  $t_{pd}$  6ns (5V 時)
- 低消費電力、最大  $I_{CC}$ : 10 $\mu$ A
- 5V で  $\pm 8$ mA の出力駆動能力
- 入力は TTL 電圧互換
- JESD 17 準拠  
250mA 超のラッチアップ性能

### 2 アプリケーション

- モーター制御: AC 誘導モーター
- グラフィックス カード
- 先進運転支援システム (ADAS)
- モータ駆動 & 制御
- DLP フロント プロジェクション システム
- サーバー マザーボード

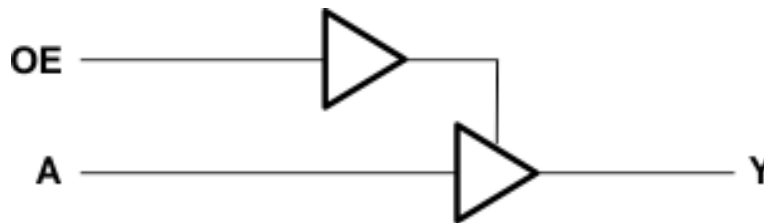
### 3 概要

SN74AHCT1G126 デバイスは、3 ステート出力を搭載したシングル バス バッファ ゲート / ライン ドライバです。出力イネーブル (OE) 入力が Low の場合、出力はディスエーブルになります。OE が High の場合、真のデータが A 入力から Y 出力に渡されます。

#### パッケージ情報

| 部品番号          | パッケージ (1)       | パッケージ サイズ (2) | 本体サイズ (3)     |
|---------------|-----------------|---------------|---------------|
| SN74AHCT1G126 | DBV (SOT-23, 5) | 2.9mm x 2.8mm | 2.9mm x 1.6mm |
|               | DCK (SC-70, 5)  | 2mm x 2.1mm   | 2mm x 1.25mm  |

- 詳細については、[セクション 11](#) を参照してください。
- パッケージ サイズ (長さ × 幅) は公称値であり、該当する場合はピンも含まれます。
- 本体サイズ (長さ × 幅) は公称値であり、ピンは含まれません。

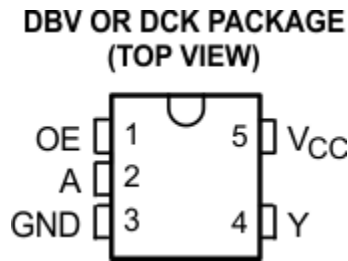


概略回路図

## Table of Contents

|  |   |  |    |
|--|---|--|----|
| <b>1 特長</b> .....                                | 1 | 7.3 Feature Description.....                                     | 9  |
| <b>2 アプリケーション</b> .....                          | 1 | 7.4 Device Functional Modes.....                                 | 9  |
| <b>3 概要</b> .....                                | 1 | <b>8 Application and Implementation</b> .....                    | 10 |
| <b>4 Pin Configuration and Functions</b> .....   | 3 | 8.1 Application Information.....                                 | 10 |
| <b>5 Specifications</b> .....                    | 4 | 8.2 Typical Application.....                                     | 10 |
| 5.1 Absolute Maximum Ratings.....                | 4 | 8.3 Power Supply Recommendations.....                            | 11 |
| 5.2 ESD Ratings.....                             | 4 | 8.4 Layout.....  | 11 |
| 5.3 Recommended Operating Conditions.....        | 4 | <b>9 Device and Documentation Support</b> .....                  | 13 |
| 5.4 Thermal Information.....                     | 5 | 9.1 Documentation Support (Analog).....                          | 13 |
| 5.5 Electrical Characteristics.....              | 5 | 9.2 ドキュメントの更新通知を受け取る方法.....                                      | 13 |
| 5.6 Switching Characteristics.....               | 5 | 9.3 サポート・リソース.....   | 13 |
| 5.7 Operating Characteristics.....               | 7 | 9.4 Trademarks.....  | 13 |
| 5.8 Typical Characteristics.....                 | 7 | 9.5 静電気放電に関する注意事項.....   | 13 |
| <b>6 Parameter Measurement Information</b> ..... | 8 | 9.6 用語集.....   | 13 |
| <b>7 Detailed Description</b> .....              | 9 | <b>10 Revision History</b> .....                                 | 13 |
| 7.1 Overview.....                                | 9 | <b>11 Mechanical, Packaging, and Orderable Information</b> ..... | 14 |
| 7.2 Functional Block Diagram.....                | 9 |  |    |

## 4 Pin Configuration and Functions



| PIN |                 | TYPE | DESCRIPTION   |
|-----|-----------------|------|---------------|
| NO. | NAME            |      |               |
| 1   | OE              | I    | Output Enable |
| 2   | A               | I    | Input A       |
| 3   | GND             | —    | Ground Pin    |
| 4   | Y               | O    | Output Y      |
| 5   | V <sub>CC</sub> | —    | Power Pin     |

## 5 Specifications

### 5.1 Absolute Maximum Ratings

over operating free-air temperature range (unless otherwise noted)<sup>(1)</sup>

|                               |   | MIN   | MAX                   | UNIT |
|-------------------------------|---|---|-----------------------|------|
| V <sub>CC</sub>               | Supply voltage  | -0.5  | 7                     | V    |
| V <sub>I</sub> <sup>(2)</sup> | Input voltage   | -0.5  | 7                     | V    |
| V <sub>O</sub> <sup>(2)</sup> | Output voltage  | -0.5  | V <sub>CC</sub> + 0.5 | V    |
| I <sub>IK</sub>               | Input clamp current                                       | (V <sub>I</sub> < 0)                                      | -20                   | mA   |
| I <sub>OK</sub>               | Output clamp current                                      | (V <sub>O</sub> < 0 or V <sub>O</sub> > V <sub>CC</sub> ) | ±20                   | mA   |
| I <sub>O</sub>                | Continuous output current                                 | (V <sub>O</sub> = 0 to V <sub>CC</sub> )                  | ±25                   | mA   |
|                               | Continuous channel current through V <sub>CC</sub> or GND |   | ±50                   | mA   |
| T <sub>stg</sub>              | Storage temperature range                                 | -65   | 150                   | °C   |

- (1) Stresses beyond those listed under *Absolute Maximum Ratings* may cause permanent damage to the device. These are stress ratings only, and functional operation of the device at these or any other conditions beyond those indicated under [セクション 5.3](#) is not implied. Exposure to absolute-maximum-rated conditions for extended periods may affect device reliability.
- (2) The input and output voltage ratings may be exceeded if the input and output current ratings are observed.

### 5.2 ESD Ratings

|                    |                         | VALUE  | UNIT  |
|--------------------|-------------------------|--|-------|
| V <sub>(ESD)</sub> | Electrostatic discharge | Human body model (HBM), per ANSI/ESDA/JEDEC JS-001, all pins <sup>(1)</sup>              | ±2000 |
|                    |                         | Charged device model (CDM), per JEDEC specification JESD22-C101, all pins <sup>(2)</sup> | ±1000 |

- (1) JEDEC document JEP155 states that 500-V HBM allows safe manufacturing with a standard ESD control process.
- (2) JEDEC document JEP157 states that 250-V CDM allows safe manufacturing with a standard ESD control process.

### 5.3 Recommended Operating Conditions

over operating free-air temperature range (unless otherwise noted)<sup>(1)</sup>

|                 |                                    | MIN | MAX             | UNIT |
|-----------------|------------------------------------|-----|-----------------|------|
| V <sub>CC</sub> | Supply voltage                     | 4.5 | 5.5             | V    |
| V <sub>IH</sub> | High-level input voltage           | 2   |                 | V    |
| V <sub>IL</sub> | Low-level input voltage            |     | 0.8             | V    |
| V <sub>I</sub>  | Input voltage                      | 0   | 5.5             | V    |
| V <sub>O</sub>  | Output voltage                     | 0   | V <sub>CC</sub> | V    |
| I <sub>OH</sub> | High-level output current          |     | -8              | mA   |
| I <sub>OL</sub> | Low-level output current           |     | 8               | mA   |
| Δt/Δv           | Input transition rise or fall rate |     | 20              | ns/V |
| T <sub>A</sub>  | Operating free-air temperature     | -40 | 125             | °C   |

- (1) All unused inputs of the device must be held at V<sub>CC</sub> or GND to ensure proper device operation. Refer to the TI application report, *Implications of Slow or Floating CMOS Inputs* ([SCBA004](#)).

## 5.4 Thermal Information

| THERMAL METRIC <sup>(1)</sup> |  | SN74AHCT1G126 |       | UNIT |
|-------------------------------|--|---------------|-------|------|
|                               |  | DBV           | DCK   |      |
|                               |  | 5 PINS        |       |      |
| R <sub>θJA</sub>              | Junction-to-ambient thermal resistance       | 278           | 289.2 | °C/W |
| R <sub>θJC(top)</sub>         | Junction-to-case (top) thermal resistance    | 180.5         | 205.8 |      |
| R <sub>θJB</sub>              | Junction-to-board thermal resistance         | 184.4         | 176.2 |      |
| ψ <sub>JT</sub>               | Junction-to-top characterization parameter   | 115.4         | 117.6 |      |
| ψ <sub>JB</sub>               | Junction-to-board characterization parameter | 183.4         | 175.1 |      |
| R <sub>θJC(bot)</sub>         | Junction-to-case (bot) thermal resistance    | N/A           | N/A   |      |

(1) For more information about traditional and new thermal metrics, see the *IC Package Thermal Metrics* application report (SPRA953).

## 5.5 Electrical Characteristics

over recommended operating free-air temperature range (unless otherwise noted)

| PARAMETER                       | TEST CONDITIONS  | V <sub>CC</sub> | T <sub>A</sub> = 25°C |     |       | –40°C to 85°C |      | –40°C to 125°C |     | UNIT |
|---------------------------------|--|-----------------|-----------------------|-----|-------|---------------|------|----------------|-----|------|
|                                 |  |                 | MIN                   | TYP | MAX   | MIN           | MAX  | MIN            | MAX |      |
| V <sub>OH</sub>                 | I <sub>OH</sub> = –50 μA                                     | 4.5 V           | 4.4                   | 4.5 |       | 4.4           |      | 4.4            | V   |      |
|                                 | I <sub>OH</sub> = –8 mA                                      |                 | 3.94                  |     |       | 3.8           |      | 3.8            |     |      |
| V <sub>OL</sub>                 | I <sub>OL</sub> = 50 μA                                      | 4.5 V           |                       |     | 0.1   |               | 0.1  | 0.1            | V   |      |
|                                 | I <sub>OL</sub> = 8 mA                                       |                 |                       |     | 0.36  |               | 0.44 | 0.44           |     |      |
| I <sub>I</sub>                  | V <sub>I</sub> = 5.5 V or GND                                | 0 V to 5.5 V    |                       |     | ±0.1  |               | ±1   | ±1             | μA  |      |
| I <sub>OZ</sub>                 | V <sub>O</sub> = V <sub>CC</sub> or GND                      | 5.5 V           |                       |     | ±0.25 |               | ±2.5 | ±2.5           | μA  |      |
| I <sub>CC</sub>                 | V <sub>I</sub> = V <sub>CC</sub> or GND, I <sub>O</sub> = 0  | 5.5 V           |                       |     | 1     |               | 10   | 10             | μA  |      |
| ΔI <sub>CC</sub> <sup>(1)</sup> | One input at 3.4 V,<br>Other input at V <sub>CC</sub> or GND | 5.5 V           |                       |     | 1.35  |               | 1.5  | 1.5            | mA  |      |
| C <sub>i</sub>                  | V <sub>I</sub> = V <sub>CC</sub> or GND                      | 5 V             |                       | 4   | 10    |               | 10   |                | pF  |      |
| C <sub>o</sub>                  | V <sub>O</sub> = V <sub>CC</sub> or GND                      | 5 V             |                       | 10  |       |               |      |                | pF  |      |

(1) This is the increase in supply current for each input at one of the specified TTL voltage levels, rather than 0 V or V<sub>CC</sub>.

## 5.6 Switching Characteristics

over recommended operating free-air temperature range, V<sub>CC</sub> = 5 V ± 0.5 V (unless otherwise noted) (see [Load Circuit and Voltage Waveforms](#))

| PARAMETER        | FROM (INPUT) | TO (OUTPUT) | LOAD CAPACITANCE       | T <sub>A</sub> = 25°C |     |     | –40°C to 85°C |     | –40°C to 125°C |     | UNIT |
|------------------|--------------|-------------|------------------------|-----------------------|-----|-----|---------------|-----|----------------|-----|------|
|                  |              |             |                        | MIN                   | TYP | MAX | MIN           | MAX | MIN            | MAX |      |
| t <sub>PLH</sub> | A            | Y           | C <sub>L</sub> = 15 pF | 3.8                   | 5.5 |     | 1             | 6.5 | 1              | 7   | ns   |
| t <sub>PHL</sub> |              |             |                        | 3.8                   | 5.5 |     | 1             | 6.5 | 1              | 7   |      |
| t <sub>PZH</sub> | OE           | Y           | C <sub>L</sub> = 15 pF | 3.6                   | 5.1 |     | 1             | 6   | 1              | 6.5 | ns   |
| t <sub>PZL</sub> |              |             |                        | 3.6                   | 5.1 |     | 1             | 6   | 1              | 6.5 |      |
| t <sub>PHZ</sub> | OE           | Y           | C <sub>L</sub> = 15 pF | 4.6                   | 6.8 |     | 1             | 8   | 1              | 8.5 | ns   |
| t <sub>PLZ</sub> |              |             |                        | 4.6                   | 6.8 |     | 1             | 8   | 1              | 8.5 |      |
| t <sub>PLH</sub> | A            | Y           | C <sub>L</sub> = 50 pF | 5.3                   | 7.5 |     | 1             | 8.5 | 1              | 9.5 | ns   |
| t <sub>PHL</sub> |              |             |                        | 5.3                   | 7.5 |     | 1             | 8.5 | 1              | 9.5 |      |
| t <sub>PZH</sub> | OE           | Y           | C <sub>L</sub> = 50 pF | 5.1                   | 7.1 |     | 1             | 8   | 1              | 9   | ns   |
| t <sub>PZL</sub> |              |             |                        | 5.1                   | 7.1 |     | 1             | 8   | 1              | 9   |      |

**SN74AHCT1G126**

JAJSRD6L – AUGUST 1997 – REVISED MARCH 2024

 over recommended operating free-air temperature range,  $V_{CC} = 5\text{ V} \pm 0.5\text{ V}$  (unless otherwise noted) (see [Load Circuit and Voltage Waveforms](#))

| PARAMETER | FROM<br>(INPUT) | TO<br>(OUTPUT) | LOAD<br>CAPACITANCE  | $T_A = 25^\circ\text{C}$ |     |     | $-40^\circ\text{C to } 85^\circ\text{C}$ |     | $-40^\circ\text{C to } 125^\circ\text{C}$ |     | UNIT |
|-----------|-----------------|----------------|----------------------|--------------------------|-----|-----|--|-----|---|-----|------|
|           |                 |                |                      | MIN                      | TYP | MAX | MIN                                      | MAX | MIN                                       | MAX |      |
| $t_{PHZ}$ | OE              | Y              | $C_L = 50\text{ pF}$ | 6.1                      | 8.8 |     | 1  | 10  | 1   | 11  | ns   |
| $t_{PLZ}$ |                 |                |                      | 6.1                      | 8.8 | 1   | 10                                       | 1   | 11  |     |      |

### 5.7 Operating Characteristics

$V_{CC} = 5\text{ V}$ ,  $T_A = 25^\circ\text{C}$

| PARAMETER                              | TEST CONDITIONS             | TYP | UNIT |
|--|-----------------------------|-----|------|
| $C_{pd}$ Power dissipation capacitance | No load, $f = 1\text{ MHz}$ | 14  | pF   |

### 5.8 Typical Characteristics

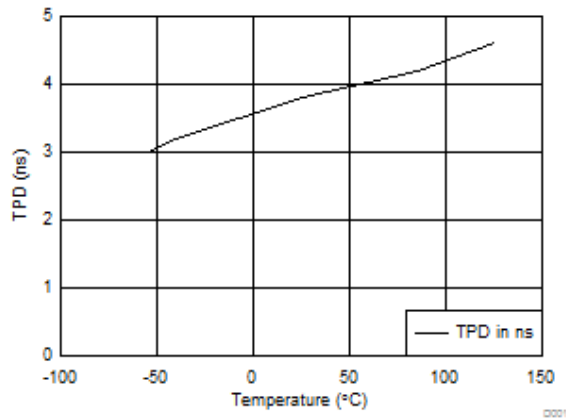
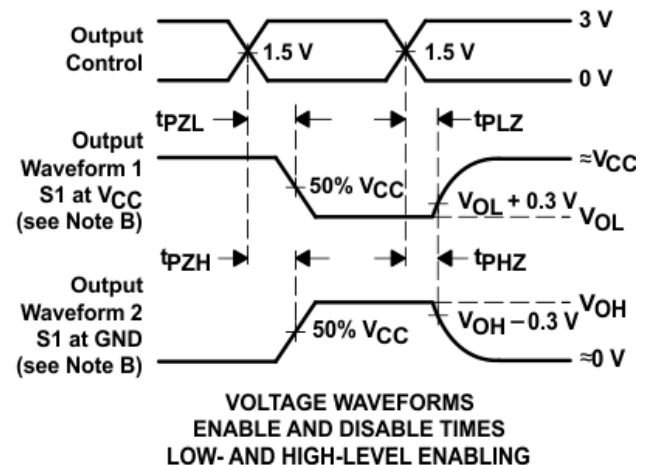
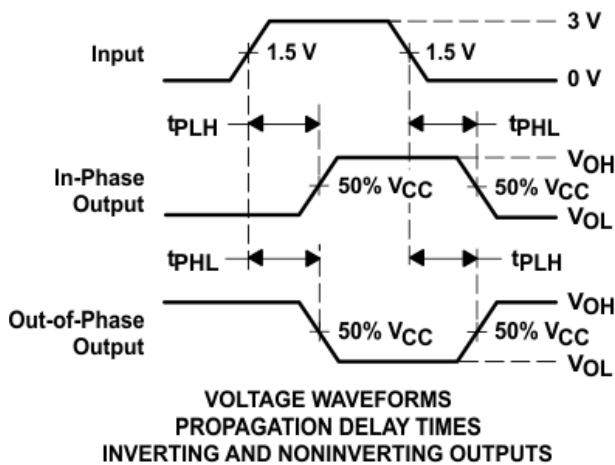
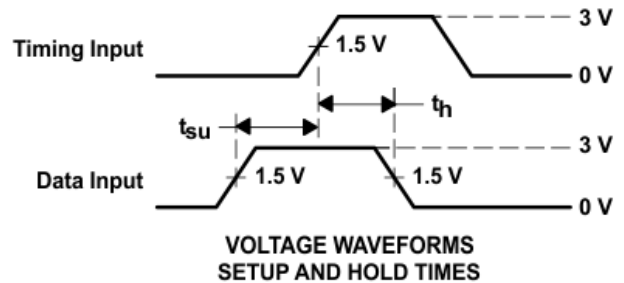
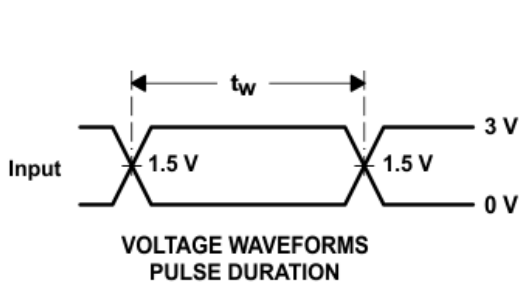
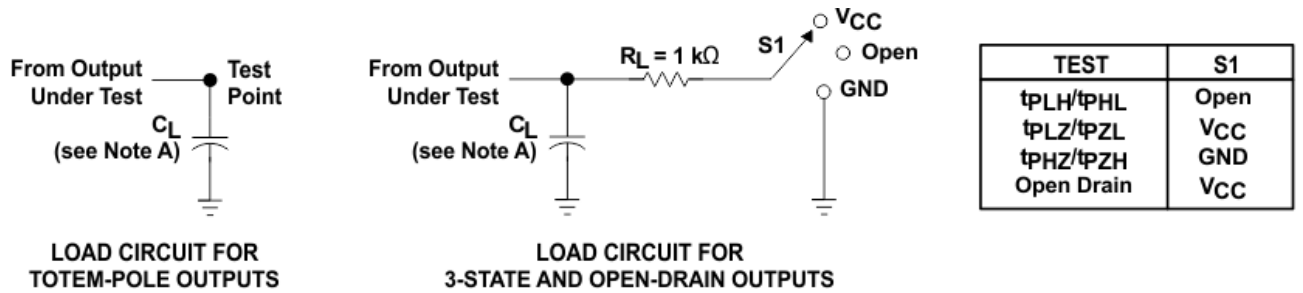


图 5-1. TPD vs Temperature

## 6 Parameter Measurement Information



- NOTES:
- A.  $C_L$  includes probe and jig capacitance.
  - B. Waveform 1 is for an output with internal conditions such that the output is low except when disabled by the output control. Waveform 2 is for an output with internal conditions such that the output is high except when disabled by the output control.
  - C. All input pulses are supplied by generators having the following characteristics: PRR  $\leq 1\text{ MHz}$ ,  $Z_O = 50\ \Omega$ ,  $t_r \leq 3\text{ ns}$ ,  $t_f \leq 3\text{ ns}$ .
  - D. The outputs are measured one at a time with one input transition per measurement.
  - E. All parameters and waveforms are not applicable to all devices.

**图 6-1. Load Circuit and Voltage Waveforms**

## 7 Detailed Description

### 7.1 Overview

The SN74AHCT1G126 device is a single bus buffer gate/line driver with 3-state output. The output is disabled when the output-enable (OE) input is low. When OE is high, true data is passed from the A input to the Y output.

To ensure the high-impedance state during power up or power down, OE should be tied to GND through a pulldown resistor; the minimum value of the resistor is determined by the current-sourcing capability of the driver.

### 7.2 Functional Block Diagram

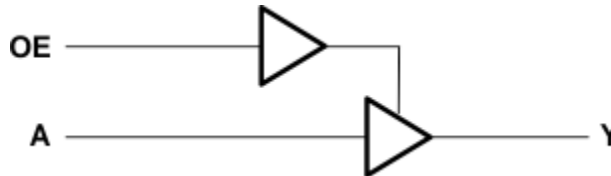


図 7-1. Logic Diagram (Positive Logic)

### 7.3 Feature Description

- TTL Inputs
  - Lowered switching threshold allows up translation 3.3 V to 5 V
- Slow edges reduce output ringing

### 7.4 Device Functional Modes

表 7-1. Function Table

| INPUTS |   | OUTPUT |
|--------|---|--------|
| OE     | A | Y      |
| H      | H | H      |
| H      | L | L      |
| L      | X | Z      |

## 8 Application and Implementation

### 注

以下のアプリケーション情報は、TI の製品仕様に含まれるものではなく、TI ではその正確性または完全性を保証いたしません。個々の目的に対する製品の適合性については、お客様の責任で判断していただくこととなります。お客様は自身の設計実装を検証しテストすることで、システムの機能を確認する必要があります。

### 8.1 Application Information

SN74AHCT1G126 is a low-drive CMOS device that can be used for a multitude of bus interface type applications where output ringing is a concern. The low drive and slow edge rates will minimize overshoot and undershoot on the outputs. The input switching levels have been lowered to accommodate TTL inputs of 0.8-V  $V_{IL}$  and 2-V  $V_{IH}$ . This feature makes it ideal for translating up from 3.3 V to 5 V. [図 8-2](#) shows this type of translation.

### 8.2 Typical Application

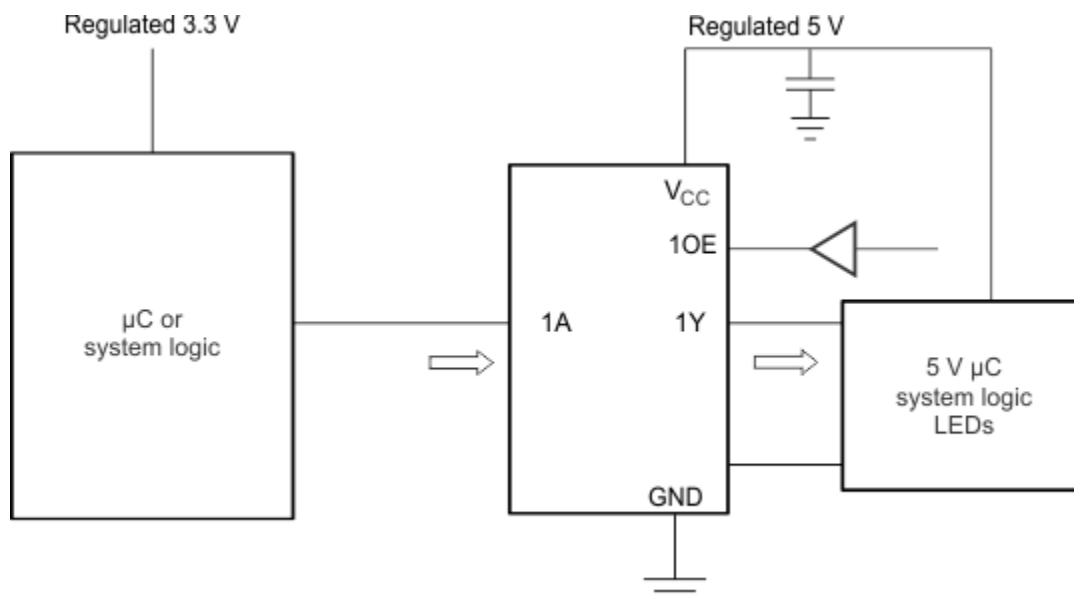


図 8-1. Typical Application Schematic

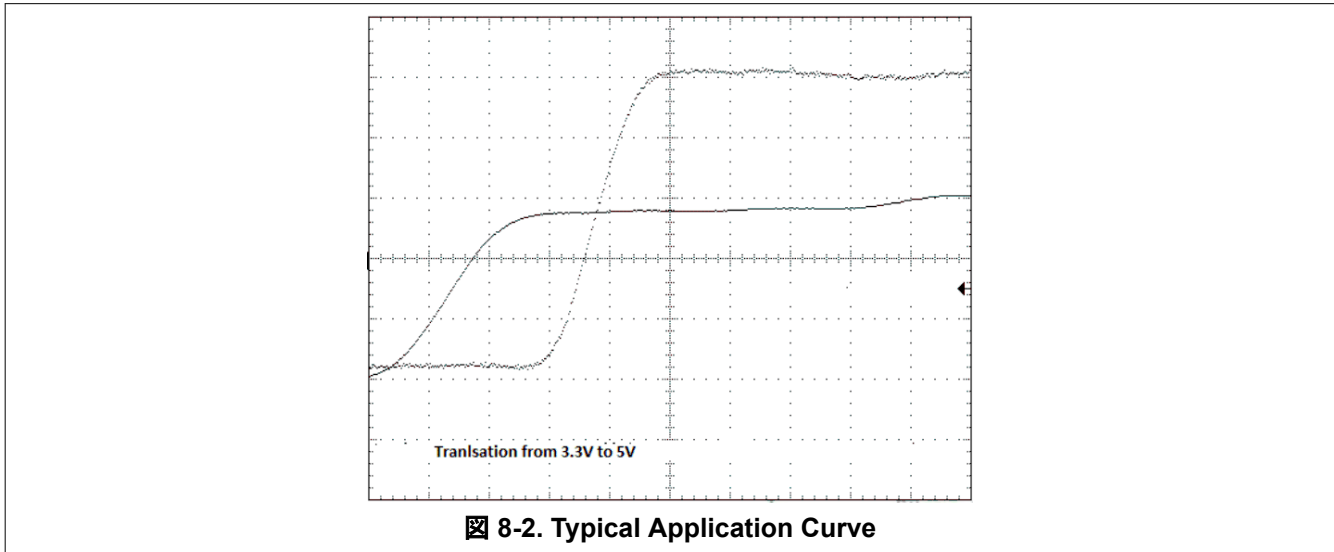
#### 8.2.1 Design Requirements

This device uses CMOS technology and has balanced output drive. Care should be taken to avoid bus contention because it can drive currents that would exceed maximum limits. The high drive will also create fast edges into light loads, so routing and load conditions should be considered to prevent ringing.

#### 8.2.2 Detailed Design Procedure

- Recommended Input Conditions
  - For rise time and fall time specifications, see  $\Delta t/\Delta V$  in the [セクション 5.3](#) table.
  - For specified High and low levels, see  $V_{IH}$  and  $V_{IL}$  in the [セクション 5.3](#) table.
- Recommend Output Conditions
  - Load currents should not exceed 25 mA per output and 50 mA total for the part.
  - Outputs should not be pulled above  $V_{CC}$ .

### 8.2.3 Application Curves



### 8.3 Power Supply Recommendations

The power supply can be any voltage between the MIN and MAX supply voltage rating located in the [セクション 5.3](#) table.

Each  $V_{CC}$  pin should have a good bypass capacitor to prevent power disturbance. For devices with a single supply, 0.1  $\mu\text{F}$  is recommended. If there are multiple  $V_{CC}$  pins, 0.01  $\mu\text{F}$  or 0.022  $\mu\text{F}$  is recommended for each power pin. It is acceptable to parallel multiple bypass caps to reject different frequencies of noise. A 0.1  $\mu\text{F}$  and 1  $\mu\text{F}$  are commonly used in parallel. The bypass capacitor should be installed as close to the power pin as possible for best results.

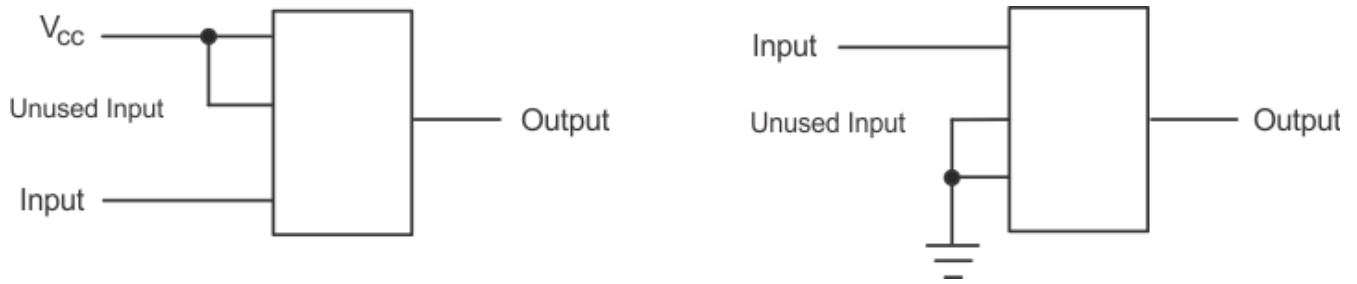
### 8.4 Layout

#### 8.4.1 Layout Guidelines

When using multiple bit logic devices, inputs should not float. In many cases, functions or parts of functions of digital logic devices are unused. Some examples are when only two inputs of a triple-input AND gate are used, or when only 3 of the 4-buffer gates are used. Such input pins should not be left unconnected because the undefined voltages at the outside connections result in undefined operational states.

Specified in [図 8-3](#) are rules that must be observed under all circumstances. All unused inputs of digital logic devices must be connected to a high or low bias to prevent them from floating. The logic level that should be applied to any particular unused input depends on the function of the device. Generally they will be tied to GND or  $V_{CC}$ , whichever makes more sense or is more convenient. It is acceptable to float outputs unless the part is a transceiver. If the transceiver has an output enable pin, it will disable the outputs section of the part when asserted. This will not disable the input section of the I/Os so they also cannot float when disabled.

### 8.4.1.1 Layout Example



☒ 8-3. Layout Diagram

## 9 Device and Documentation Support

### 9.1 Documentation Support (Analog)

#### 9.1.1 Related Documentation

For related documentation, see the following:

- Texas Instruments, [CMOS Power Consumption and Cpd Calculation application note](#)
- Texas Instruments, [Designing With Logic application note](#)
- Texas Instruments, [Thermal Characteristics of Standard Linear and Logic \(SLL\) Packages and Devices application note](#)
- Texas Instruments, [Implications of Slow or Floating CMOS Inputs application note](#)

### 9.2 ドキュメントの更新通知を受け取る方法

ドキュメントの更新についての通知を受け取るには、[www.tij.co.jp](http://www.tij.co.jp) のデバイス製品フォルダを開いてください。[通知] をクリックして登録すると、変更されたすべての製品情報に関するダイジェストを毎週受け取ることができます。変更の詳細については、改訂されたドキュメントに含まれている改訂履歴をご覧ください。

### 9.3 サポート・リソース

テキサス・インスツルメンツ E2E™ サポート・フォーラムは、エンジニアが検証済みの回答と設計に関するヒントをエキスパートから迅速かつ直接得ることができる場所です。既存の回答を検索したり、独自の質問をしたりすることで、設計に必要な支援を迅速に得ることができます。

リンクされているコンテンツは、各寄稿者により「現状のまま」提供されるものです。これらはテキサス・インスツルメンツの仕様を構成するものではなく、必ずしもテキサス・インスツルメンツの見解を反映したものではありません。テキサス・インスツルメンツの[使用条件](#)を参照してください。

### 9.4 Trademarks

テキサス・インスツルメンツ E2E™ is a trademark of Texas Instruments.

すべての商標は、それぞれの所有者に帰属します。

### 9.5 静電気放電に関する注意事項



この IC は、ESD によって破損する可能性があります。テキサス・インスツルメンツは、IC を取り扱う際には常に適切な注意を払うことを推奨します。正しい取り扱いおよび設置手順に従わない場合、デバイスを破損するおそれがあります。

ESD による破損は、わずかな性能低下からデバイスの完全な故障まで多岐にわたります。精密な IC の場合、パラメータがわずかに変化するだけで公表されている仕様から外れる可能性があるため、破損が発生しやすくなっています。

### 9.6 用語集

[テキサス・インスツルメンツ用語集](#) この用語集には、用語や略語の一覧および定義が記載されています。

## 10 Revision History

### Changes from Revision K (October 2023) to Revision L (March 2024) Page

- |  |   |
|--|---|
| • パッケージ情報表に本体サイズを追加.....   | 1 |
| • Updated thermal values for DBV package from RθJA = 231.3 to 278, RθJC(top) = 119.9 to 180.5, RθJB = 60.6 to 184.4, ΨJT = 17.8 to 115.4, ΨJB = 60.1 to 183.4, RθJC(bot) = N/A, all values in °C/W ..... | 5 |

### Changes from Revision J (December 2014) to Revision K (October 2023) Page

- |  |   |
|--|---|
| • Updated thermal values for DCK package from RθJA = 287.6 to 289.2, RθJC(top) = 97.7 to 205.8, RθJB = 65 to 176.2, ΨJT = 2 to 117.6, ΨJB = 64.2 to 175.1, RθJC(bot) = N/A, all values in °C/W ..... | 5 |
|--|---|

## 11 Mechanical, Packaging, and Orderable Information

The following pages include mechanical, packaging, and orderable information. This information is the most current data available for the designated devices. This data is subject to change without notice and revision of this document. For browser-based versions of this data sheet, refer to the left-hand navigation.

## 重要なお知らせと免責事項

テキサス・インスツルメンツは、技術データと信頼性データ (データシートを含みます)、設計リソース (リファレンス デザインを含みます)、アプリケーションや設計に関する各種アドバイス、Web ツール、安全性情報、その他のリソースを、欠陥が存在する可能性のある「現状のまま」提供しており、商品性および特定目的に対する適合性の黙示保証、第三者の知的財産権の非侵害保証を含むいかなる保証も、明示的または黙示的にかかわらず拒否します。

これらのリソースは、テキサス・インスツルメンツ製品を使用する設計の経験を積んだ開発者への提供を意図したものです。(1) お客様のアプリケーションに適した テキサス・インスツルメンツ製品の選定、(2) お客様のアプリケーションの設計、検証、試験、(3) お客様のアプリケーションに該当する各種規格や、その他のあらゆる安全性、セキュリティ、規制、または他の要件への確実な適合に関する責任を、お客様のみが単独で負うものとします。

上記の各種リソースは、予告なく変更される可能性があります。これらのリソースは、リソースで説明されている テキサス・インスツルメンツ製品を使用するアプリケーションの開発の目的でのみ、テキサス・インスツルメンツはその使用をお客様に許諾します。これらのリソースに関して、他の目的で複製することや掲載することは禁止されています。テキサス・インスツルメンツや第三者の知的財産権のライセンスが付与されている訳ではありません。お客様は、これらのリソースを自身で使用した結果発生するあらゆる申し立て、損害、費用、損失、責任について、テキサス・インスツルメンツおよびその代理人を完全に補償するものとし、テキサス・インスツルメンツは一切の責任を拒否します。

テキサス・インスツルメンツの製品は、[テキサス・インスツルメンツの販売条件](#)、または [ti.com](https://www.ti.com) やかかる テキサス・インスツルメンツ製品の関連資料などのいずれかを通じて提供する適用可能な条項の下で提供されています。テキサス・インスツルメンツがこれらのリソースを提供することは、適用されるテキサス・インスツルメンツの保証または他の保証の放棄の拡大や変更を意味するものではありません。

お客様がいかなる追加条項または代替条項を提案した場合でも、テキサス・インスツルメンツはそれらに異議を唱え、拒否します。

郵送先住所: Texas Instruments, Post Office Box 655303, Dallas, Texas 75265  
Copyright © 2024, Texas Instruments Incorporated

**PACKAGING INFORMATION**

| Orderable part number             | Status<br>(1) | Material type<br>(2) | Package   Pins   | Package qty   Carrier | RoHS<br>(3) | Lead finish/<br>Ball material<br>(4) | MSL rating/<br>Peak reflow<br>(5) | Op temp (°C) | Part marking<br>(6)                      |
|-----------------------------------|---------------|----------------------|------------------|-----------------------|-------------|--------------------------------------|-----------------------------------|--------------|--|
| 74AHCT1G126DBVRE4                 | Active        | Production           | SOT-23 (DBV)   5 | 3000   LARGE T&R      | Yes         | NIPDAU                               | Level-1-260C-UNLIM                | -40 to 125   | B26G                                     |
| <a href="#">74AHCT1G126DBVRG4</a> | Active        | Production           | SOT-23 (DBV)   5 | 3000   LARGE T&R      | Yes         | NIPDAU                               | Level-1-260C-UNLIM                | -40 to 125   | B26G                                     |
| 74AHCT1G126DBVRG4.A               | Active        | Production           | SOT-23 (DBV)   5 | 3000   LARGE T&R      | Yes         | NIPDAU                               | Level-1-260C-UNLIM                | -40 to 125   | B26G                                     |
| <a href="#">74AHCT1G126DBVTG4</a> | Obsolete      | Production           | SOT-23 (DBV)   5 | -                     | -           | Call TI                              | Call TI                           | -40 to 125   | B26G                                     |
| <a href="#">74AHCT1G126DCKRG4</a> | Active        | Production           | SC70 (DCK)   5   | 3000   LARGE T&R      | Yes         | NIPDAU                               | Level-1-260C-UNLIM                | -40 to 125   | BN3                                      |
| 74AHCT1G126DCKRG4.A               | Active        | Production           | SC70 (DCK)   5   | 3000   LARGE T&R      | Yes         | NIPDAU                               | Level-1-260C-UNLIM                | -40 to 125   | BN3                                      |
| <a href="#">74AHCT1G126DCKTG4</a> | Active        | Production           | SC70 (DCK)   5   | 250   SMALL T&R       | Yes         | NIPDAU                               | Level-1-260C-UNLIM                | -40 to 125   | BN3                                      |
| 74AHCT1G126DCKTG4.A               | Active        | Production           | SC70 (DCK)   5   | 250   SMALL T&R       | Yes         | NIPDAU                               | Level-1-260C-UNLIM                | -40 to 125   | BN3                                      |
| <a href="#">SN74AHCT1G126DBVR</a> | Active        | Production           | SOT-23 (DBV)   5 | 3000   LARGE T&R      | Yes         | SN                                   | Level-1-260C-UNLIM                | -40 to 125   | (38ZH, 3C9F, B263, B26G, B26J, B26S)     |
| SN74AHCT1G126DBVR.A               | Active        | Production           | SOT-23 (DBV)   5 | 3000   LARGE T&R      | Yes         | SN                                   | Level-1-260C-UNLIM                | -40 to 125   | (38ZH, 3C9F, B263, B26G, B26J, B26S)     |
| <a href="#">SN74AHCT1G126DCKR</a> | Active        | Production           | SC70 (DCK)   5   | 3000   LARGE T&R      | Yes         | SN                                   | Level-1-260C-UNLIM                | -40 to 125   | (1QT, BN3, BNG, BNJ, BNL, BNS, BNU, BNY) |
| SN74AHCT1G126DCKR.A               | Active        | Production           | SC70 (DCK)   5   | 3000   LARGE T&R      | Yes         | SN                                   | Level-1-260C-UNLIM                | -40 to 125   | (1QT, BN3, BNG, BNJ, BNL, BNS, BNU, BNY) |
| <a href="#">SN74AHCT1G126DCKT</a> | Obsolete      | Production           | SC70 (DCK)   5   | -                     | -           | Call TI                              | Call TI                           | -40 to 125   | (BN3, BNG, BNJ, BNS)                     |

<sup>(1)</sup> **Status:** For more details on status, see our [product life cycle](#).

<sup>(2)</sup> **Material type:** When designated, preproduction parts are prototypes/experimental devices, and are not yet approved or released for full production. Testing and final process, including without limitation quality assurance, reliability performance testing, and/or process qualification, may not yet be complete, and this item is subject to further changes or possible discontinuation. If available for ordering, purchases will be subject to an additional waiver at checkout, and are intended for early internal evaluation purposes only. These items are sold without warranties of any kind.

<sup>(3)</sup> **RoHS values:** Yes, No, RoHS Exempt. See the [TI RoHS Statement](#) for additional information and value definition.

<sup>(4)</sup> **Lead finish/Ball material:** Parts may have multiple material finish options. Finish options are separated by a vertical ruled line. Lead finish/Ball material values may wrap to two lines if the finish value exceeds the maximum column width.

<sup>(5)</sup> **MSL rating/Peak reflow:** The moisture sensitivity level ratings and peak solder (reflow) temperatures. In the event that a part has multiple moisture sensitivity ratings, only the lowest level per JEDEC standards is shown. Refer to the shipping label for the actual reflow temperature that will be used to mount the part to the printed circuit board.

<sup>(6)</sup> **Part marking:** There may be an additional marking, which relates to the logo, the lot trace code information, or the environmental category of the part.

Multiple part markings will be inside parentheses. Only one part marking contained in parentheses and separated by a "~" will appear on a part. If a line is indented then it is a continuation of the previous line and the two combined represent the entire part marking for that device.

**Important Information and Disclaimer:** The information provided on this page represents TI's knowledge and belief as of the date that it is provided. TI bases its knowledge and belief on information provided by third parties, and makes no representation or warranty as to the accuracy of such information. Efforts are underway to better integrate information from third parties. TI has taken and continues to take reasonable steps to provide representative and accurate information but may not have conducted destructive testing or chemical analysis on incoming materials and chemicals. TI and TI suppliers consider certain information to be proprietary, and thus CAS numbers and other limited information may not be available for release.

In no event shall TI's liability arising out of such information exceed the total purchase price of the TI part(s) at issue in this document sold by TI to Customer on an annual basis.

**OTHER QUALIFIED VERSIONS OF SN74AHCT1G126 :**

- Automotive : [SN74AHCT1G126-Q1](#)

NOTE: Qualified Version Definitions:

- Automotive - Q100 devices qualified for high-reliability automotive applications targeting zero defects

**TAPE AND REEL INFORMATION**

**QUADRANT ASSIGNMENTS FOR PIN 1 ORIENTATION IN TAPE**


\*All dimensions are nominal

| Device            | Package Type | Package Drawing | Pins | SPQ  | Reel Diameter (mm) | Reel Width W1 (mm) | A0 (mm) | B0 (mm) | K0 (mm) | P1 (mm) | W (mm) | Pin1 Quadrant |
|-------------------|--------------|-----------------|------|------|--------------------|--------------------|---------|---------|---------|---------|--------|---------------|
| 74AHCT1G126DBVRG4 | SOT-23       | DBV             | 5    | 3000 | 178.0              | 9.0                | 3.23    | 3.17    | 1.37    | 4.0     | 8.0    | Q3            |
| 74AHCT1G126DCKRG4 | SC70         | DCK             | 5    | 3000 | 178.0              | 9.2                | 2.4     | 2.4     | 1.22    | 4.0     | 8.0    | Q3            |
| 74AHCT1G126DCKTG4 | SC70         | DCK             | 5    | 250  | 178.0              | 9.2                | 2.4     | 2.4     | 1.22    | 4.0     | 8.0    | Q3            |
| SN74AHCT1G126DBVR | SOT-23       | DBV             | 5    | 3000 | 178.0              | 8.4                | 3.2     | 3.2     | 1.4     | 4.0     | 8.0    | Q3            |
| SN74AHCT1G126DCKR | SC70         | DCK             | 5    | 3000 | 180.0              | 8.4                | 2.3     | 2.5     | 1.2     | 4.0     | 8.0    | Q3            |

**TAPE AND REEL BOX DIMENSIONS**


\*All dimensions are nominal

| Device            | Package Type | Package Drawing | Pins | SPQ  | Length (mm) | Width (mm) | Height (mm) |
|-------------------|--------------|-----------------|------|------|-------------|------------|-------------|
| 74AHCT1G126DBVRG4 | SOT-23       | DBV             | 5    | 3000 | 180.0       | 180.0      | 18.0        |
| 74AHCT1G126DCKRG4 | SC70         | DCK             | 5    | 3000 | 180.0       | 180.0      | 18.0        |
| 74AHCT1G126DCKTG4 | SC70         | DCK             | 5    | 250  | 180.0       | 180.0      | 18.0        |
| SN74AHCT1G126DBVR | SOT-23       | DBV             | 5    | 3000 | 208.0       | 191.0      | 35.0        |
| SN74AHCT1G126DCKR | SC70         | DCK             | 5    | 3000 | 210.0       | 185.0      | 35.0        |



# EXAMPLE BOARD LAYOUT

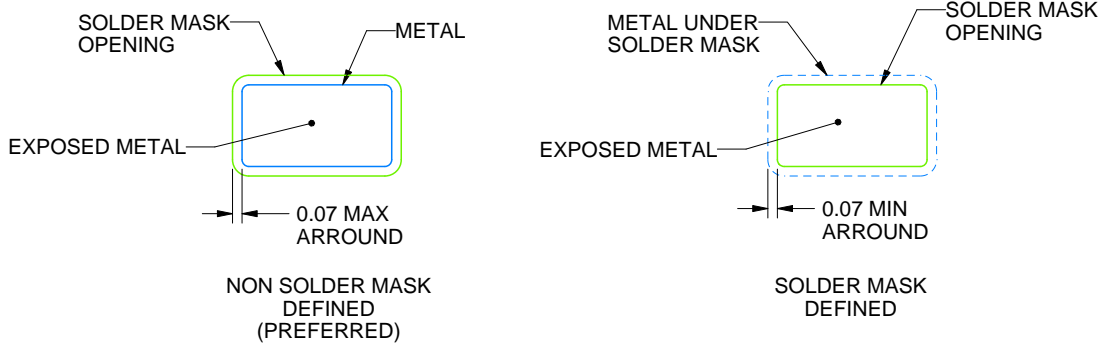
DCK0005A

SOT - 1.1 max height

SMALL OUTLINE TRANSISTOR



LAND PATTERN EXAMPLE  
EXPOSED METAL SHOWN  
SCALE:18X



SOLDER MASK DETAILS

4214834/G 11/2024

NOTES: (continued)

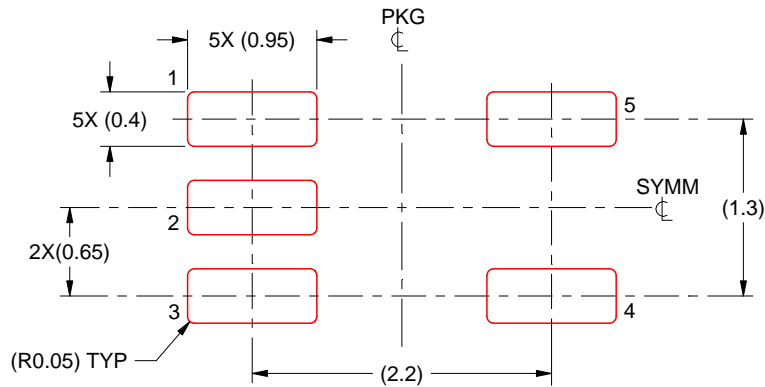
- 7. Publication IPC-7351 may have alternate designs.
- 8. Solder mask tolerances between and around signal pads can vary based on board fabrication site.

# EXAMPLE STENCIL DESIGN

DCK0005A

SOT - 1.1 max height

SMALL OUTLINE TRANSISTOR



SOLDER PASTE EXAMPLE  
BASED ON 0.125 THICK STENCIL  
SCALE: 18X

4214834/G 11/2024

NOTES: (continued)

9. Laser cutting apertures with trapezoidal walls and rounded corners may offer better paste release. IPC-7525 may have alternate design recommendations.
10. Board assembly site may have different recommendations for stencil design.

# DBV0005A



# PACKAGE OUTLINE

SOT-23 - 1.45 mm max height

SMALL OUTLINE TRANSISTOR



4214839/K 08/2024

## NOTES:

1. All linear dimensions are in millimeters. Any dimensions in parenthesis are for reference only. Dimensioning and tolerancing per ASME Y14.5M.
2. This drawing is subject to change without notice.
3. Reference JEDEC MO-178.
4. Body dimensions do not include mold flash, protrusions, or gate burrs. Mold flash, protrusions, or gate burrs shall not exceed 0.25 mm per side.
5. Support pin may differ or may not be present.

# EXAMPLE BOARD LAYOUT

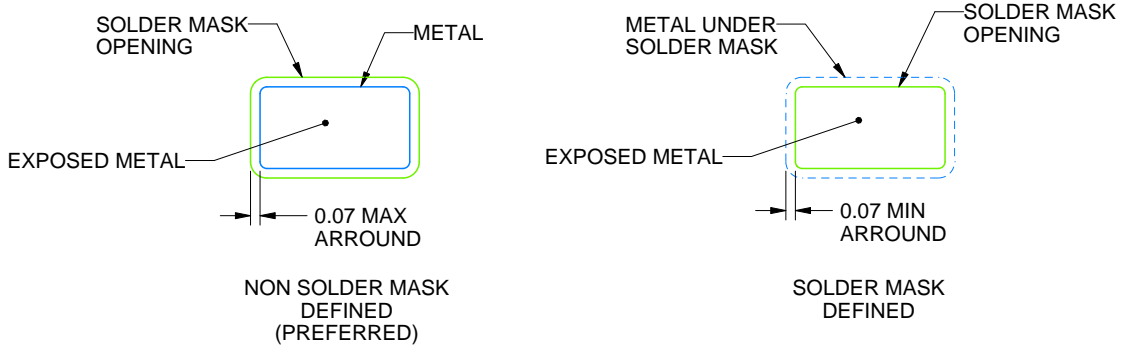
DBV0005A

SOT-23 - 1.45 mm max height

SMALL OUTLINE TRANSISTOR



LAND PATTERN EXAMPLE  
EXPOSED METAL SHOWN  
SCALE:15X



SOLDER MASK DETAILS

4214839/K 08/2024

NOTES: (continued)

- 6. Publication IPC-7351 may have alternate designs.
- 7. Solder mask tolerances between and around signal pads can vary based on board fabrication site.

# EXAMPLE STENCIL DESIGN

DBV0005A

SOT-23 - 1.45 mm max height

SMALL OUTLINE TRANSISTOR



SOLDER PASTE EXAMPLE  
BASED ON 0.125 mm THICK STENCIL  
SCALE:15X

4214839/K 08/2024

NOTES: (continued)

8. Laser cutting apertures with trapezoidal walls and rounded corners may offer better paste release. IPC-7525 may have alternate design recommendations.
9. Board assembly site may have different recommendations for stencil design.

## 重要なお知らせと免責事項

TI は、技術データと信頼性データ (データシートを含みます)、設計リソース (リファレンス デザインを含みます)、アプリケーションや設計に関する各種アドバイス、Web ツール、安全性情報、その他のリソースを、欠陥が存在する可能性のある「現状のまま」提供しており、商品性および特定目的に対する適合性の黙示保証、第三者の知的財産権の非侵害保証を含むいかなる保証も、明示的または黙示的にかかわらず拒否します。

これらのリソースは、TI 製品を使用する設計の経験を積んだ開発者への提供を意図したものです。(1) お客様のアプリケーションに適した TI 製品の選定、(2) お客様のアプリケーションの設計、検証、試験、(3) お客様のアプリケーションに該当する各種規格や、その他のあらゆる安全性、セキュリティ、規制、または他の要件への確実な適合に関する責任を、お客様のみが単独で負うものとし、

上記の各種リソースは、予告なく変更される可能性があります。これらのリソースは、リソースで説明されている TI 製品を使用するアプリケーションの開発の目的でのみ、TI はその使用をお客様に許諾します。これらのリソースに関して、他の目的で複製することや掲載することは禁止されています。TI や第三者の知的財産権のライセンスが付与されている訳ではありません。お客様は、これらのリソースを自身で使用した結果発生するあらゆる申し立て、損害、費用、損失、責任について、TI およびその代理人を完全に補償するものとし、TI は一切の責任を拒否します。

TI の製品は、[TI の販売条件](#)、[TI の総合的な品質ガイドライン](#)、[ti.com](#) または TI 製品などに関連して提供される他の適用条件に従い提供されます。TI がこれらのリソースを提供することは、適用される TI の保証または他の保証の放棄の拡大や変更を意味するものではありません。TI がカスタム、またはカスタマー仕様として明示的に指定していない限り、TI の製品は標準的なカタログに掲載される汎用機器です。

お客様がいかなる追加条項または代替条項を提案する場合も、TI はそれらに異議を唱え、拒否します。

Copyright © 2026, Texas Instruments Incorporated

最終更新日 : 2025 年 10 月