

The SN54125, SN54126, SN74125, SN74126, and SN54LS126A are obsolete and are no longer supplied.

# SN54125, SN54126, SN54LS125A, SN54LS126A, SN74125, SN74126, SN74LS125A, SN74LS126A QUADRUPLE BUS BUFFERS WITH 3-STATE OUTPUTS

SDLS044A - DECEMBER 1983 - REVISED MARCH 2002

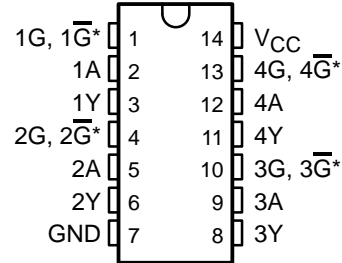
- Quad Bus Buffers
- 3-State Outputs
- Separate Control for Each Channel

## description

These bus buffers feature three-state outputs that, when enabled, have the low impedance characteristics of a TTL output with additional drive capability at high logic levels to permit driving heavily loaded bus lines without external pullup resistors. When disabled, both output transistors are turned off, presenting a high-impedance state to the bus so the output will act neither as a significant load nor as a driver. The '125 and 'LS125A devices' outputs are disabled when  $\bar{G}$  is high. The '126 and 'LS126A devices' outputs are disabled when G is low.

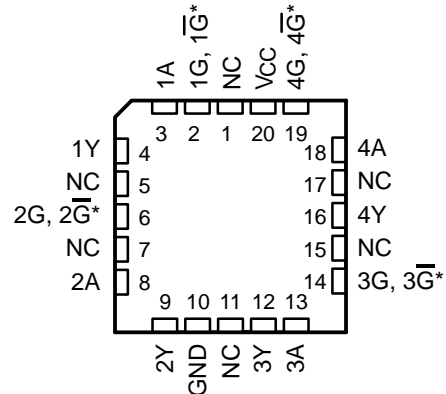
SN54125, SN54126, SN54LS125A, SN54LS126A . . . J OR W PACKAGE  
SN74125, SN74126 . . . N PACKAGE  
SN74LS125A, SN74LS126A . . . D, N, OR NS PACKAGE

(TOP VIEW)



$\bar{G}$  on '125 and 'LS125A devices;  
G on 126 and 'LS126A devices

SN54LS125A, SN54LS126A . . . FK PACKAGE  
(TOP VIEW)



$\bar{G}$  on '125 and 'LS125A devices;  
G on 126 and 'LS126A devices  
NC - No internal connection



Please be aware that an important notice concerning availability, standard warranty, and use in critical applications of Texas Instruments semiconductor products and disclaimers thereto appears at the end of this data sheet.

PRODUCTION DATA information is current as of publication date. Products conform to specifications per the terms of Texas Instruments standard warranty. Production processing does not necessarily include testing of all parameters.

 **TEXAS  
INSTRUMENTS**

POST OFFICE BOX 655303 • DALLAS, TEXAS 75265

Copyright © 2002, Texas Instruments Incorporated  
On products compliant to MIL-PRF-38535, all parameters are tested unless otherwise noted. On all other products, production processing does not necessarily include testing of all parameters.

**SN54125, SN54126, SN54LS125A, SN54LS126A,  
SN74125, SN74126, SN74LS125A, SN74LS126A  
QUADRUPLE BUS BUFFERS WITH 3-STATE OUTPUTS**

SDLS044A – DECEMBER 1983 – REVISED MARCH 2002

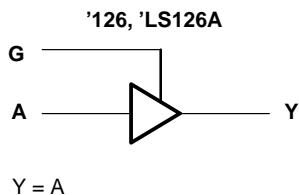
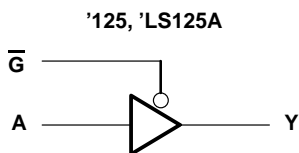
The SN54125, SN54126, SN74125,  
SN74126, and SN54LS126A are  
obsolete and are no longer supplied.

**ORDERING INFORMATION**

| T <sub>A</sub> | PACKAGE†  |               | ORDERABLE PART NUMBER | TOP-SIDE MARKING |
|----------------|-----------|---------------|-----------------------|------------------|
| 0°C to 70°C    | PDIP – N  | Tube          | SN74LS125AN           | SN74LS125AN      |
|                |           | Tube          | SN74LS126AN           | SN74LS126AN      |
|                | SOIC – D  | Tube          | SN74LS125AD           | LS125A           |
|                |           | Tape and reel | SN74LS125ADR          |                  |
|                |           | Tube          | SN74LS126AD           | LS126A           |
|                |           | Tape and reel | SN74LS126ADR          |                  |
|                | SOP – NS  | Tape and reel | SN74LS125ANSR         | 74LS125A         |
|                |           | Tape and reel | SN74LS126ANSR         | 74LS126A         |
| –55°C to 125°C | CDIP – J  | Tube          | SN54LS125AJ           | SN54LS125AJ      |
|                |           | Tube          | SNJ54LS125AJ          | SNJ54LS125AJ     |
|                | CFP – W   | Tube          | SNJ54LS125AW          | SNJ54LS125AW     |
|                | LCCC – FK | Tube          | SNJ54LS125AFK         | SNJ54LS125AFK    |

† Package drawings, standard packing quantities, thermal data, symbolization, and PCB design guidelines are available at [www.ti.com/sc/package](http://www.ti.com/sc/package).

**logic diagram (each gate)**

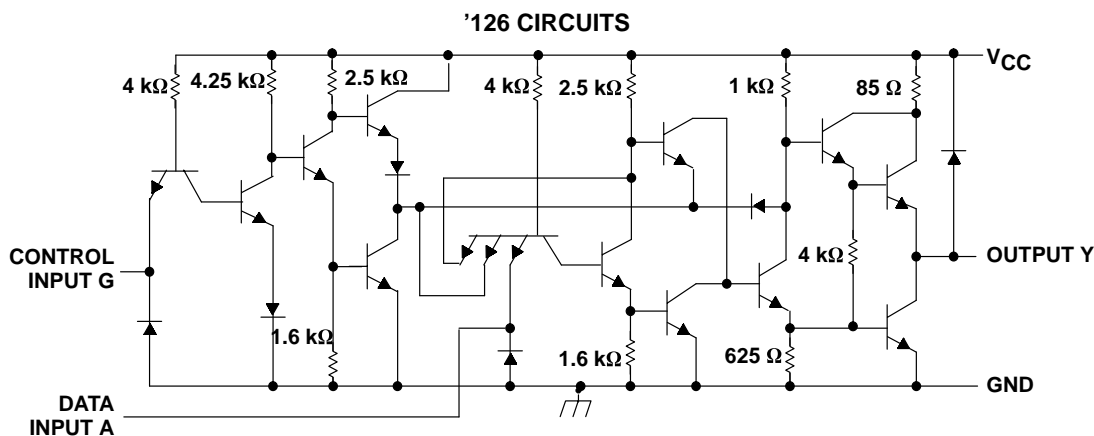
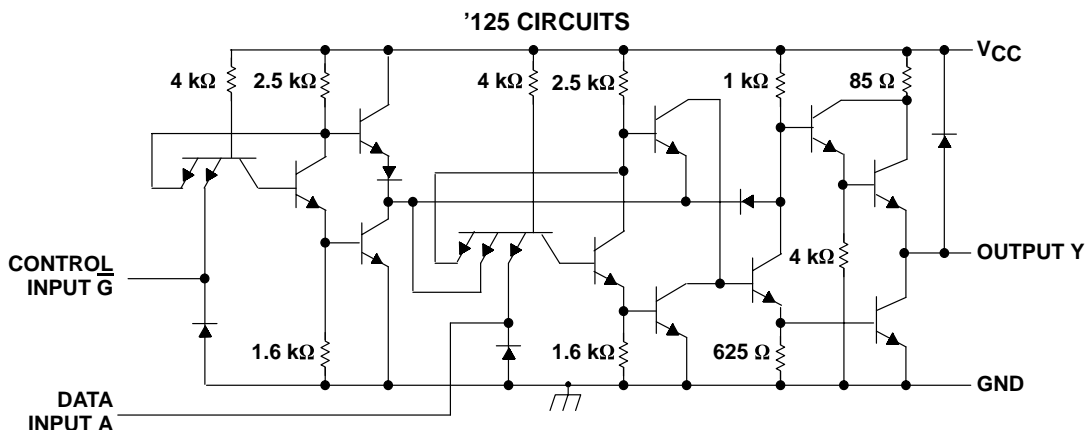


**SN54125, SN54126, SN54LS125A, SN54LS126A,  
SN74125, SN74126, SN74LS125A, SN74LS126A  
QUADRUPLE BUS BUFFERS WITH 3-STATE OUTPUTS**

The SN54125, SN54126, SN74125, SN74126, and SN54LS126A are obsolete and are no longer supplied.

SDLS044A – DECEMBER 1983 – REVISED MARCH 2002

schematics (each gate)



**absolute maximum ratings over operating free-air temperature (unless otherwise noted)†**  
(**'125 and '126**)

|  |                |
|--|----------------|
| Supply voltage, $V_{CC}$ (see Note 1)                            | 7 V            |
| Input voltage, $V_I$   | 5.5 V          |
| Package thermal impedance, $\theta_{JA}$ (see Note 2): N package | 80°C/W         |
| Storage temperature range, $T_{stg}$                             | -65°C to 150°C |

† Stresses beyond those listed under "absolute maximum ratings" may cause permanent damage to the device. These are stress ratings only, and functional operation of the device at these or any other conditions beyond those indicated under "recommended operating conditions" is not implied. Exposure to absolute-maximum-rated conditions for extended periods may affect device reliability.

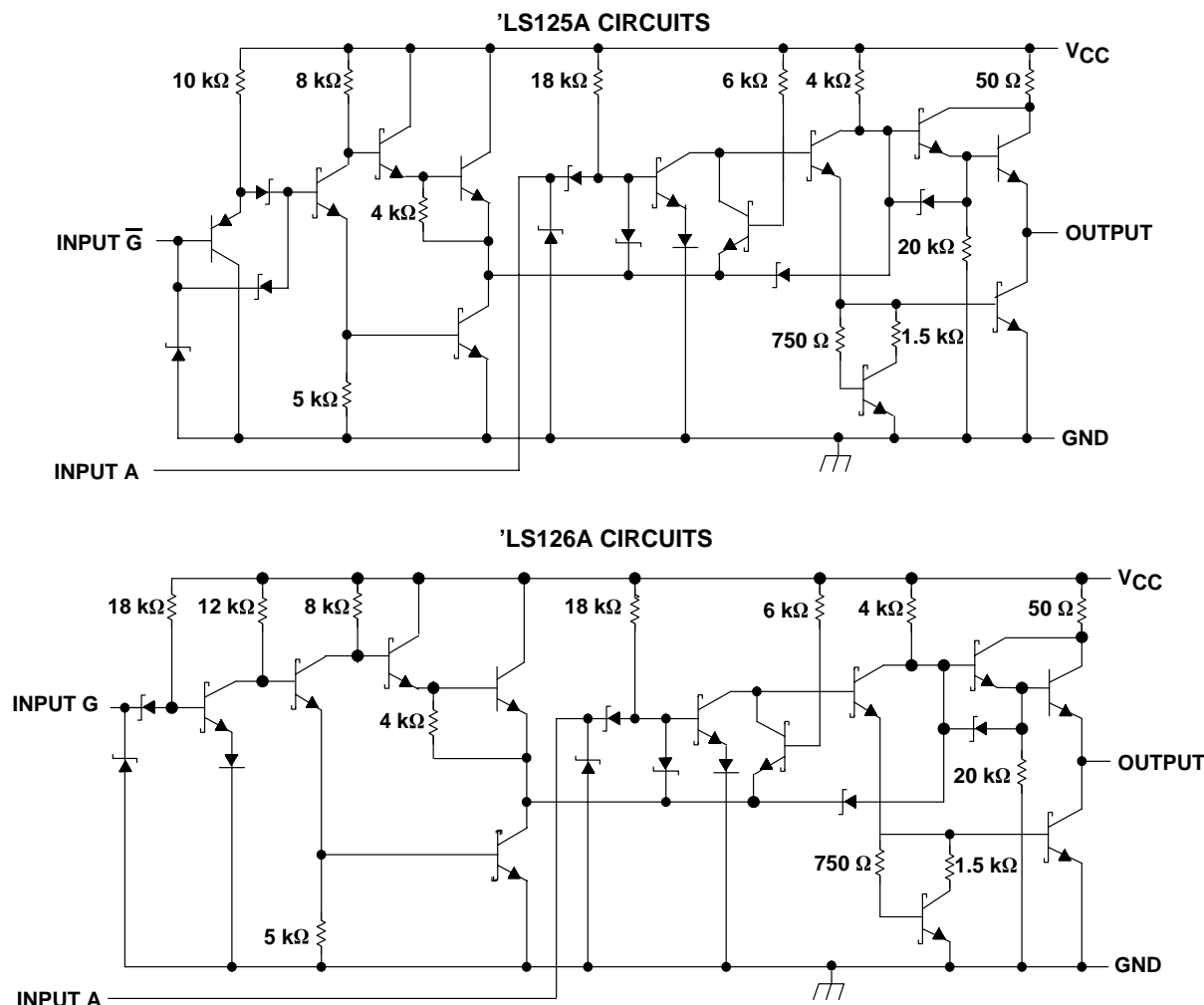
- NOTES: 1. Voltage values are with respect to network ground terminal.  
2. The package thermal impedance is calculated in accordance with JESD 51-7.

**SN54125, SN54126, SN54LS125A, SN54LS126A, SN74125, SN74126, SN74LS125A, SN74LS126A**  
**QUADRUPLE BUS BUFFERS WITH 3-STATE OUTPUTS**

SDLS044A - DECEMBER 1983 - REVISED MARCH 2002

The SN54125, SN54126, SN74125, SN74126, and SN54LS126A are obsolete and are no longer supplied.

**schematics (each gate)**



Resistor values shown are nominal.

**absolute maximum ratings over operating free-air temperature (unless otherwise noted)†**  
 (‘LS125A and ‘LS126A)

|  |                |
|--|----------------|
| Supply voltage, $V_{CC}$ (see Note 1) .....                            | 7 V            |
| Input voltage, $V_I$ .....   | 7 V            |
| Package thermal impedance, $\theta_{JA}$ (see Note 2): D package ..... | 86°C/W         |
| N package .....  | 80°C/W         |
| NS package .....   | 76°C/W         |
| Storage temperature range, $T_{STG}$ .....                             | -65°C to 150°C |

† Stresses beyond those listed under "absolute maximum ratings" may cause permanent damage to the device. These are stress ratings only, and functional operation of the device at these or any other conditions beyond those indicated under "recommended operating conditions" is not implied. Exposure to absolute-maximum-rated conditions for extended periods may affect device reliability.

- NOTES: 1. Voltage values are with respect to network ground terminal.  
 2. The package thermal impedance is calculated in accordance with JESD 51-7.



POST OFFICE BOX 655303 • DALLAS, TEXAS 75265

The SN54125, SN54126, SN74125, SN74126, and SN54LS126A are obsolete and are no longer supplied.

**SN54125, SN54126, SN54LS125A, SN54LS126A, SN74125, SN74126, SN74LS125A, SN74LS126A**  
**QUADRUPLE BUS BUFFERS WITH 3-STATE OUTPUTS**

SDLS044A – DECEMBER 1983 – REVISED MARCH 2002

**recommended operating conditions**

|                 |                                | SN54125<br>SN54126 |     |     | SN74125<br>SN74126 |     |      | UNIT |
|-----------------|--------------------------------|--------------------|-----|-----|--------------------|-----|------|------|
|                 |                                | MIN                | NOM | MAX | MIN                | NOM | MAX  |      |
| V <sub>CC</sub> | Supply voltage                 | 4.5                | 5   | 5.5 | 4.75               | 5   | 5.25 | V    |
| V <sub>IH</sub> | High-level input voltage       | 2                  |     |     | 2                  |     |      | V    |
| V <sub>IL</sub> | Low-level input voltage        |                    |     | 0.8 |                    |     | 0.8  | V    |
| I <sub>OH</sub> | High-level output current      |                    |     | -2  |                    |     | -5.2 | mA   |
| I <sub>OL</sub> | Low-level output current       |                    |     | 16  |                    |     | 16   | mA   |
| T <sub>A</sub>  | Operating free-air temperature | -55                |     | 125 | 0                  |     | 70   | °C   |

**electrical characteristics over recommended operating free-air temperature range (unless otherwise noted)**

| PARAMETER         | TEST CONDITIONS†  |  | SN54125<br>SN54126 |      |      | SN74125<br>SN74126 |      |      | UNIT |
|-------------------|---|--|--------------------|------|------|--------------------|------|------|------|
|                   |   |  | MIN                | TYP‡ | MAX  | MIN                | TYP‡ | MAX  |      |
| V <sub>IK</sub>   | V <sub>CC</sub> = MIN, I <sub>I</sub> = -12 mA                        |  |                    |      | -1.5 |                    |      | -1.5 | V    |
| V <sub>OH</sub>   | V <sub>CC</sub> = MIN, V <sub>IH</sub> = 2 V, V <sub>IL</sub> = 0.8 V | I <sub>OH</sub> = -2 mA                        | 2.4                | 3.3  |      |                    |      |      | V    |
|                   |   | I <sub>OH</sub> = -5.2 mA                      |                    |      |      | 2.4                | 3.1  |      |      |
| V <sub>OL</sub>   | V <sub>CC</sub> = MIN, I <sub>OL</sub> = 16 mA                        | V <sub>IH</sub> = 2 V, V <sub>IL</sub> = 0.8 V |                    |      | 0.4  |                    |      | 0.4  | V    |
| I <sub>OZ</sub>   | V <sub>CC</sub> = MAX, V <sub>IL</sub> = 0.8 V                        | V <sub>IH</sub> = 2 V, V <sub>O</sub> = 2.4 V  |                    |      | 40   |                    |      | 40   | μA   |
|                   |   | V <sub>IH</sub> = 2 V, V <sub>O</sub> = 0.4 V  |                    |      | -40  |                    |      | -40  |      |
| I <sub>I</sub>    | V <sub>CC</sub> = MAX, V <sub>I</sub> = 6.5 V                         |  |                    | 1    |      |                    | 1    | mA   |      |
| I <sub>IH</sub>   | V <sub>CC</sub> = MAX, V <sub>I</sub> = 2.4 V                         |  |                    | 40   |      |                    | 40   | μA   |      |
| I <sub>IL</sub>   | V <sub>CC</sub> = MAX, V <sub>I</sub> = 0.4 V                         |  |                    | -1.6 |      |                    | -1.6 | mA   |      |
| I <sub>OS</sub> § | V <sub>CC</sub> = MAX   |  |                    | -30  |      | -70                | -28  | -70  | mA   |
| I <sub>CC</sub>   | V <sub>CC</sub> = MAX (see Note 3)                                    | '125   | 32                 | 54   |      |                    | 32   | 54   | mA   |
|                   |   | '126   | 36                 | 62   |      |                    | 36   | 62   |      |

† For conditions shown as MIN or MAX, use the appropriate value specified under recommended operating conditions.

‡ All typical values are at V<sub>CC</sub> = 5 V, T<sub>A</sub> = 25°C.

§ Not more than one output should be shorted at a time.

NOTE 3: Data inputs = 0 V; output control = 4.5 V for '125 and 0 V for '126.

**switching characteristics, V<sub>CC</sub> = 5 V, T<sub>A</sub> = 25°C (see Figure 1)**

| PARAMETER        | TEST CONDITIONS                                |  | SN54125<br>SN74125 |     |     | SN54126<br>SN74126 |     |     | UNIT |
|------------------|--|--|--------------------|-----|-----|--------------------|-----|-----|------|
|                  |  |  | MIN                | TYP | MAX | MIN                | TYP | MAX |      |
| t <sub>PLH</sub> | R <sub>L</sub> = 400 Ω, C <sub>L</sub> = 50 pF |  | 8                  | 13  |     | 8                  | 13  | ns  |      |
| t <sub>PHL</sub> |  |  | 12                 | 18  |     | 12                 | 18  |     |      |
| t <sub>PZH</sub> | R <sub>L</sub> = 400 Ω, C <sub>L</sub> = 50 pF |  | 11                 | 17  |     | 11                 | 18  | ns  |      |
| t <sub>PZL</sub> |  |  | 16                 | 25  |     | 16                 | 25  |     |      |
| t <sub>PHZ</sub> | R <sub>L</sub> = 400 Ω, C <sub>L</sub> = 5 pF  |  | 5                  | 8   |     | 10                 | 16  | ns  |      |
| t <sub>PLZ</sub> |  |  | 7                  | 12  |     | 12                 | 18  |     |      |



**SN54125, SN54126, SN54LS125A, SN54LS126A,  
SN74125, SN74126, SN74LS125A, SN74LS126A  
QUADRUPLE BUS BUFFERS WITH 3-STATE OUTPUTS**

SDLS044A – DECEMBER 1983 – REVISED MARCH 2002

The SN54125, SN54126, SN74125,  
SN74126, and SN54LS126A are  
obsolete and are no longer supplied.

**recommended operating conditions**

|                 |                                | SN54LS125A<br>SN54LS126A |     |     | SN74LS125A<br>SN74LS126A |     |      | UNIT |
|-----------------|--------------------------------|--------------------------|-----|-----|--------------------------|-----|------|------|
|                 |                                | MIN                      | NOM | MAX | MIN                      | NOM | MAX  |      |
| V <sub>CC</sub> | Supply voltage                 | 4.5                      | 5   | 5.5 | 4.75                     | 5   | 5.25 | V    |
| V <sub>IH</sub> | High-level input voltage       | 2                        |     |     | 2                        |     |      | V    |
| V <sub>IL</sub> | Low-level input voltage        |                          |     | 0.7 |                          |     | 0.8  | V    |
| I <sub>OH</sub> | High-level output current      |                          |     | -1  |                          |     | -2.6 | mA   |
| I <sub>OL</sub> | Low-level output current       |                          |     | 12  |                          |     | 24   | mA   |
| T <sub>A</sub>  | Operating free-air temperature | -55                      |     | 125 | 0                        |     | 70   | °C   |

**electrical characteristics over recommended operating free-air temperature range (unless otherwise noted)**

| PARAMETER         | TEST CONDITIONS†                                 |  | SN54LS125A<br>SN54LS126A |      |      | SN74LS125A<br>SN74LS126A |      |     | UNIT |    |    |    |
|-------------------|--|--|--------------------------|------|------|--------------------------|------|-----|------|----|----|----|
|                   |  |  | MIN                      | TYP‡ | MAX  | MIN                      | TYP‡ | MAX |      |    |    |    |
| V <sub>IK</sub>   | V <sub>CC</sub> = MIN, I <sub>I</sub> = -18 mA   |  | -1.5                     |      |      | -1.5                     |      |     | V    |    |    |    |
| V <sub>OH</sub>   | V <sub>CC</sub> = MIN,<br>V <sub>IH</sub> = 2 V  | V <sub>IL</sub> = 0.7 V, I <sub>OH</sub> = -1 mA   | 2.4                      |      |      |                          |      |     | V    |    |    |    |
|                   |  | V <sub>IL</sub> = 0.8 V, I <sub>OH</sub> = -2.6 mA |                          |      |      | 2.4                      |      |     |      |    |    |    |
| V <sub>OL</sub>   | V <sub>CC</sub> = MIN,<br>V <sub>IH</sub> = 2 V  | V <sub>IL</sub> = 0.7 V, I <sub>OL</sub> = 12 mA   | 0.25                     |      | 0.4  |                          |      |     | V    |    |    |    |
|                   |  | V <sub>IL</sub> = 0.8 V, I <sub>OL</sub> = 12 mA   |                          |      | 0.25 |                          | 0.4  |     |      |    |    |    |
|                   |  | V <sub>IL</sub> = 0.8 V, I <sub>OL</sub> = 24 mA   |                          |      | 0.35 |                          | 0.5  |     |      |    |    |    |
| I <sub>OZ</sub>   | V <sub>CC</sub> = MAX,<br>V <sub>IH</sub> = 2 V, | V <sub>IL</sub> = 0.7 V                            | V <sub>O</sub> = 2.4 V   |      | 20   |                          |      | μA  |      |    |    |    |
|                   |  |  | V <sub>O</sub> = 0.4 V   |      | -20  |                          |      |     |      |    |    |    |
|                   |  | V <sub>IL</sub> = 0.8 V                            | V <sub>O</sub> = 2.4 V   |      | 20   |                          |      |     |      |    |    |    |
|                   |  |  | V <sub>O</sub> = 0.4 V   |      | -20  |                          |      |     |      |    |    |    |
| I <sub>I</sub>    | V <sub>CC</sub> = MAX, V <sub>I</sub> = 7 V      |  | 0.1                      |      |      | 0.1                      |      |     | mA   |    |    |    |
| I <sub>IH</sub>   | V <sub>CC</sub> = MAX, V <sub>I</sub> = 2.7 V    |  | 20                       |      |      | 20                       |      |     | μA   |    |    |    |
| I <sub>IL</sub>   | V <sub>CC</sub> = MAX,<br>V <sub>I</sub> = 0.4 V | 'LS125A-G inputs                                   |                          | -0.2 |      |                          | -0.2 |     |      | mA |    |    |
|                   |  | 'LS125A-A inputs; 'LS126A All inputs               |                          | -0.4 |      |                          | -0.4 |     |      |    |    |    |
| I <sub>OS</sub> § | V <sub>CC</sub> = MAX                            |  | -40                      |      | -225 |                          | -40  |     | -225 |    | mA |    |
| I <sub>CC</sub>   | V <sub>CC</sub> = MAX<br>(see Note 4)            | 'LS125A  |                          | 11   |      | 20                       |      | 11  |      | 20 |    | mA |
|                   |  | 'LS126A  |                          | 12   |      | 22                       |      | 12  |      | 22 |    |    |

† For conditions shown as MIN or MAX, use the appropriate value specified under recommended operating conditions.

‡ All typical values are at V<sub>CC</sub> = 5 V, T<sub>A</sub> = 25°C.

§ Not more than one output should be shorted at a time, and the duration of the short circuit should not exceed one second.

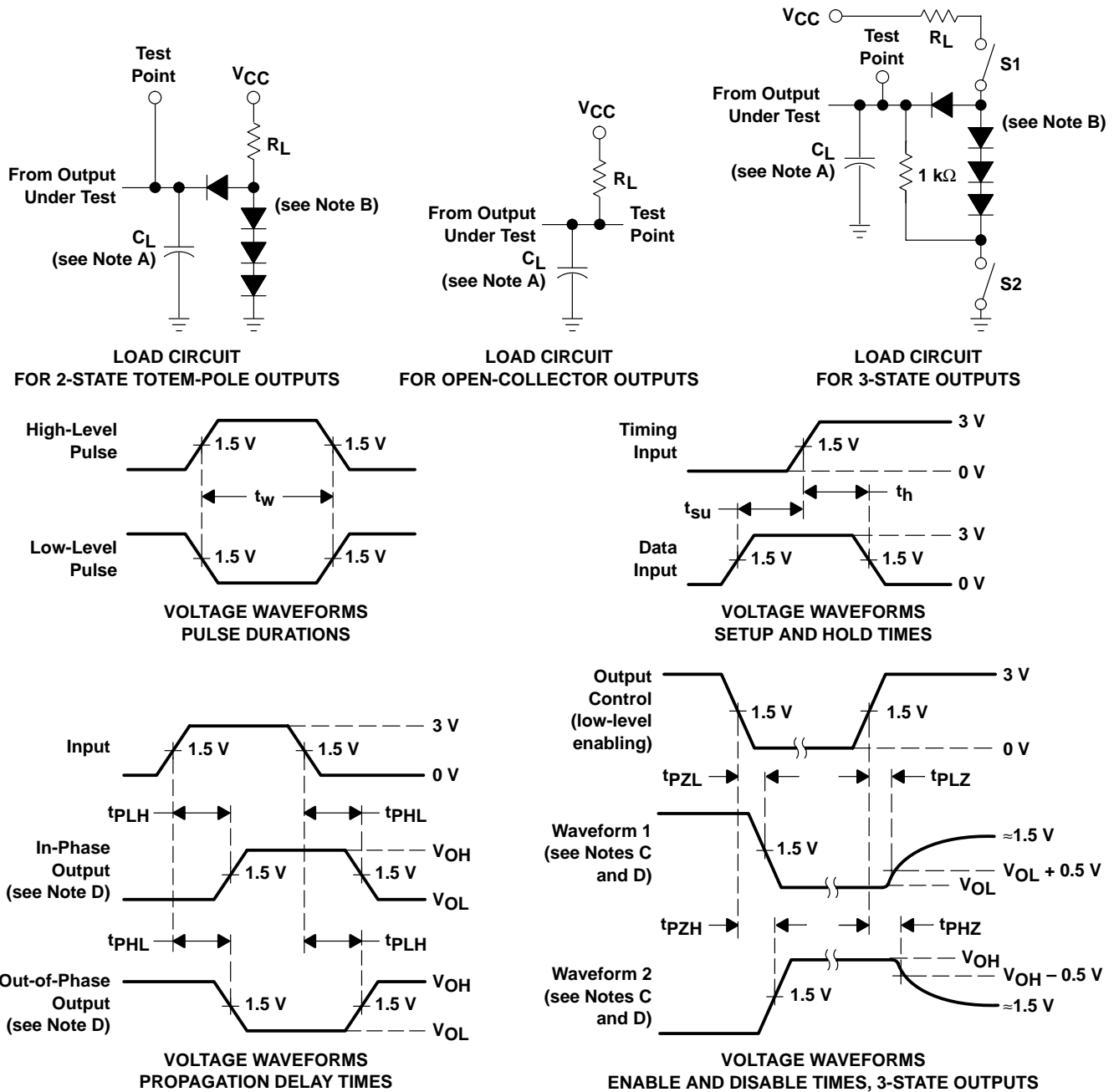
NOTE 4: Data inputs = 0 V; output control = 4.5 V for 'LS125A and 0 V for 'LS126A.

**switching characteristics, V<sub>CC</sub> = 5 V, T<sub>A</sub> = 25°C (see Figure 1)**

| PARAMETER        | TEST CONDITIONS         |                        | SN54LS125A<br>SN74LS125A |     |     | SN54LS126A<br>SN74LS126A |     |     | UNIT |  |    |
|------------------|-------------------------|------------------------|--------------------------|-----|-----|--------------------------|-----|-----|------|--|----|
|                  |                         |                        | MIN                      | TYP | MAX | MIN                      | TYP | MAX |      |  |    |
| t <sub>PLH</sub> | R <sub>L</sub> = 667 Ω, | C <sub>L</sub> = 45 pF | 9                        |     | 15  |                          | 9   |     | 15   |  | ns |
| t <sub>PHL</sub> |                         |                        | 7                        |     | 18  |                          | 8   |     | 18   |  |    |
| t <sub>PZH</sub> | R <sub>L</sub> = 667 Ω, | C <sub>L</sub> = 45 pF | 12                       |     | 20  |                          | 16  |     | 25   |  | ns |
| t <sub>PZL</sub> |                         |                        | 15                       |     | 25  |                          | 21  |     | 35   |  |    |
| t <sub>PHZ</sub> | R <sub>L</sub> = 667 Ω, | C <sub>L</sub> = 5 pF  |                          |     | 20  |                          |     |     | 25   |  | ns |
| t <sub>PLZ</sub> |                         |                        |                          |     | 20  |                          |     |     | 25   |  |    |



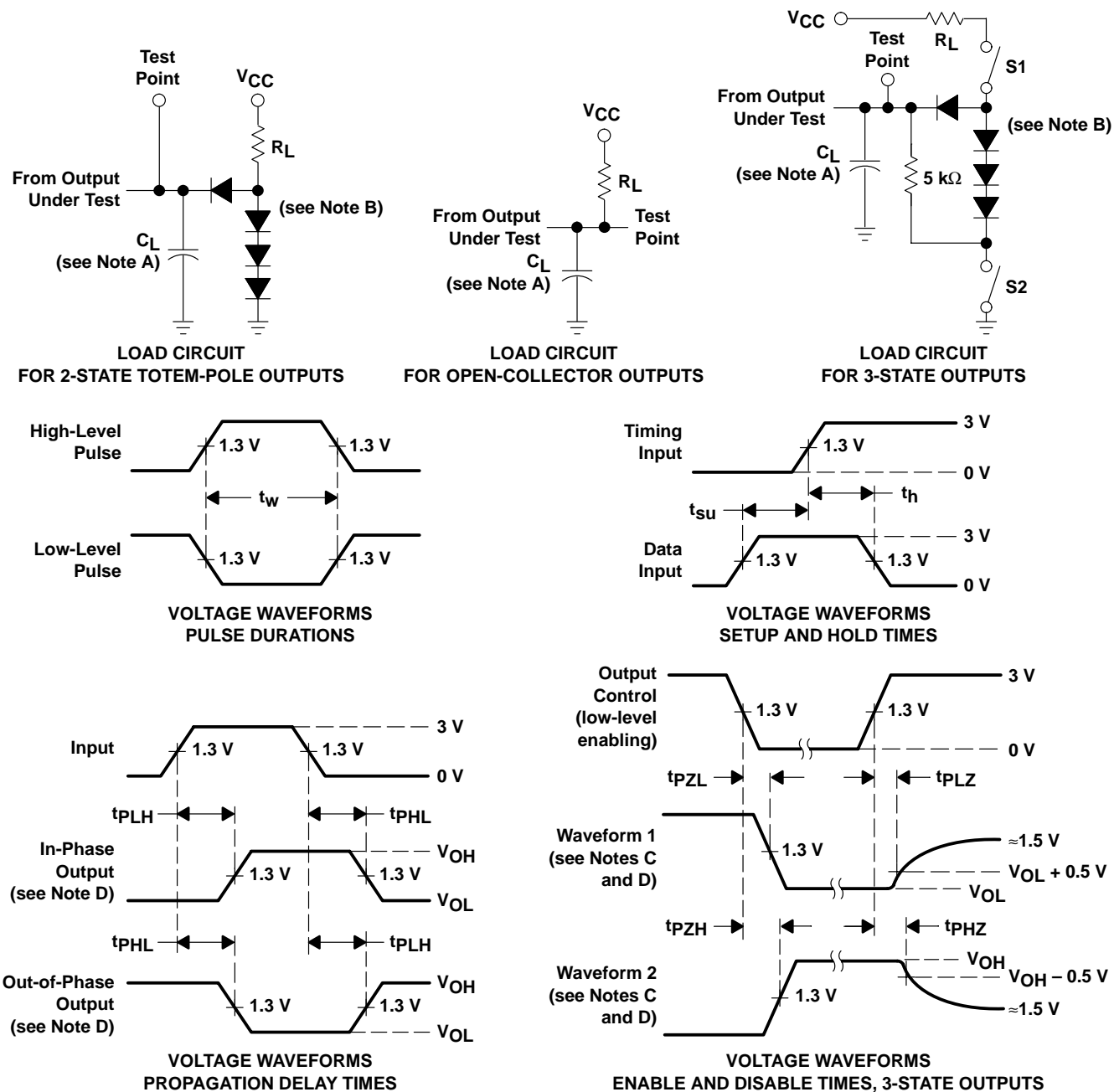
**PARAMETER MEASUREMENT INFORMATION**  
**SERIES 54/74 DEVICES**



- NOTES: A.  $C_L$  includes probe and jig capacitance.  
 B. All diodes are 1N3064 or equivalent.  
 C. Waveform 1 is for an output with internal conditions such that the output is low except when disabled by the output control. Waveform 2 is for an output with internal conditions such that the output is high except when disabled by the output control.  
 D. S1 and S2 are closed for  $t_{PLH}$ ,  $t_{PHL}$ ,  $t_{PHZ}$ , and  $t_{PLZ}$ ; S1 is open and S2 is closed for  $t_{PZH}$ ; S1 is closed and S2 is open for  $t_{PZL}$ .  
 E. All input pulses are supplied by generators having the following characteristics:  $PRR \leq 1$  MHz,  $Z_O \approx 50 \Omega$ ;  $t_r$  and  $t_f \leq 7$  ns for Series 54/74 devices and  $t_r$  and  $t_f \leq 2.5$  ns for Series 54S/74S devices.  
 F. The outputs are measured one at a time with one input transition per measurement.

**Figure 1. Load Circuits and Voltage Waveforms**

PARAMETER MEASUREMENT INFORMATION  
 SERIES 54LS/74LS DEVICES



- NOTES: A.  $C_L$  includes probe and jig capacitance.  
 B. All diodes are 1N3064 or equivalent.  
 C. Waveform 1 is for an output with internal conditions such that the output is low except when disabled by the output control. Waveform 2 is for an output with internal conditions such that the output is high except when disabled by the output control.  
 D. S1 and S2 are closed for  $t_{PLH}$ ,  $t_{PHL}$ ,  $t_{PHZ}$ , and  $t_{PLZ}$ ; S1 is open and S2 is closed for  $t_{PZH}$ ; S1 is closed and S2 is open for  $t_{PZL}$ .  
 E. Phase relationships between inputs and outputs have been chosen arbitrarily for these examples.  
 F. All input pulses are supplied by generators having the following characteristics:  $PRR \leq 1$  MHz,  $Z_O \approx 50 \Omega$ ,  $t_r \leq 1.5$  ns,  $t_f \leq 2.6$  ns.  
 G. The outputs are measured one at a time with one input transition per measurement.

Figure 2. Load Circuits and Voltage Waveforms



**PACKAGING INFORMATION**

| Orderable Device | Status<br>(1) | Package Type | Package Drawing | Pins | Package Qty | Eco Plan<br>(2)  | Lead finish/<br>Ball material<br>(6) | MSL Peak Temp<br>(3) | Op Temp (°C) | Device Marking<br>(4/5) | Samples                 |
|------------------|---------------|--------------|-----------------|------|-------------|------------------|--------------------------------------|----------------------|--------------|-------------------------|-------------------------|
| JM38510/32301B2A | ACTIVE        | LCCC         | FK              | 20   | 55          | Non-RoHS & Green | SNPB                                 | N / A for Pkg Type   | -55 to 125   | JM38510/32301B2A        | <a href="#">Samples</a> |
| JM38510/32301BCA | ACTIVE        | CDIP         | J               | 14   | 25          | Non-RoHS & Green | SNPB                                 | N / A for Pkg Type   | -55 to 125   | JM38510/32301BCA        | <a href="#">Samples</a> |
| JM38510/32301BDA | ACTIVE        | CFP          | W               | 14   | 25          | Non-RoHS & Green | SNPB                                 | N / A for Pkg Type   | -55 to 125   | JM38510/32301BDA        | <a href="#">Samples</a> |
| M38510/32301B2A  | ACTIVE        | LCCC         | FK              | 20   | 55          | Non-RoHS & Green | SNPB                                 | N / A for Pkg Type   | -55 to 125   | JM38510/32301B2A        | <a href="#">Samples</a> |
| M38510/32301BCA  | ACTIVE        | CDIP         | J               | 14   | 25          | Non-RoHS & Green | SNPB                                 | N / A for Pkg Type   | -55 to 125   | JM38510/32301BCA        | <a href="#">Samples</a> |
| M38510/32301BDA  | ACTIVE        | CFP          | W               | 14   | 25          | Non-RoHS & Green | SNPB                                 | N / A for Pkg Type   | -55 to 125   | JM38510/32301BDA        | <a href="#">Samples</a> |
| SN54LS125AJ      | ACTIVE        | CDIP         | J               | 14   | 25          | Non-RoHS & Green | SNPB                                 | N / A for Pkg Type   | -55 to 125   | SN54LS125AJ             | <a href="#">Samples</a> |
| SN74LS125AD      | OBSOLETE      | SOIC         | D               | 14   |             | TBD              | Call TI                              | Call TI              | 0 to 70      | LS125A                  |                         |
| SN74LS125ADBR    | ACTIVE        | SSOP         | DB              | 14   | 2000        | RoHS & Green     | NIPDAU                               | Level-1-260C-UNLIM   | 0 to 70      | LS125A                  | <a href="#">Samples</a> |
| SN74LS125ADR     | ACTIVE        | SOIC         | D               | 14   | 2500        | RoHS & Green     | NIPDAU                               | Level-1-260C-UNLIM   | 0 to 70      | LS125A                  | <a href="#">Samples</a> |
| SN74LS125ADRE4   | ACTIVE        | SOIC         | D               | 14   | 2500        | RoHS & Green     | NIPDAU                               | Level-1-260C-UNLIM   | 0 to 70      | LS125A                  | <a href="#">Samples</a> |
| SN74LS125AN      | ACTIVE        | PDIP         | N               | 14   | 25          | RoHS & Green     | NIPDAU                               | N / A for Pkg Type   | 0 to 70      | SN74LS125AN             | <a href="#">Samples</a> |
| SN74LS125ANSR    | ACTIVE        | SOP          | NS              | 14   | 2000        | RoHS & Green     | NIPDAU                               | Level-1-260C-UNLIM   | 0 to 70      | 74LS125A                | <a href="#">Samples</a> |
| SN74LS126AD      | OBSOLETE      | SOIC         | D               | 14   |             | TBD              | Call TI                              | Call TI              | 0 to 70      | LS126A                  |                         |
| SN74LS126ADR     | ACTIVE        | SOIC         | D               | 14   | 2500        | RoHS & Green     | NIPDAU                               | Level-1-260C-UNLIM   | 0 to 70      | LS126A                  | <a href="#">Samples</a> |
| SN74LS126AN      | ACTIVE        | PDIP         | N               | 14   | 25          | RoHS & Green     | NIPDAU                               | N / A for Pkg Type   | 0 to 70      | SN74LS126AN             | <a href="#">Samples</a> |
| SN74LS126ANSR    | ACTIVE        | SOP          | NS              | 14   | 2000        | RoHS & Green     | NIPDAU                               | Level-1-260C-UNLIM   | 0 to 70      | 74LS126A                | <a href="#">Samples</a> |
| SNJ54LS125AJ     | ACTIVE        | CDIP         | J               | 14   | 25          | Non-RoHS & Green | SNPB                                 | N / A for Pkg Type   | -55 to 125   | SNJ54LS125AJ            | <a href="#">Samples</a> |
| SNJ54LS125AW     | ACTIVE        | CFP          | W               | 14   | 25          | Non-RoHS & Green | SNPB                                 | N / A for Pkg Type   | -55 to 125   | SNJ54LS125AW            | <a href="#">Samples</a> |

(1) The marketing status values are defined as follows:

**ACTIVE:** Product device recommended for new designs.

**LIFEBUY:** TI has announced that the device will be discontinued, and a lifetime-buy period is in effect.

**NRND:** Not recommended for new designs. Device is in production to support existing customers, but TI does not recommend using this part in a new design.

**PREVIEW:** Device has been announced but is not in production. Samples may or may not be available.

**OBSOLETE:** TI has discontinued the production of the device.

(2) **RoHS:** TI defines "RoHS" to mean semiconductor products that are compliant with the current EU RoHS requirements for all 10 RoHS substances, including the requirement that RoHS substance do not exceed 0.1% by weight in homogeneous materials. Where designed to be soldered at high temperatures, "RoHS" products are suitable for use in specified lead-free processes. TI may reference these types of products as "Pb-Free".

**RoHS Exempt:** TI defines "RoHS Exempt" to mean products that contain lead but are compliant with EU RoHS pursuant to a specific EU RoHS exemption.

**Green:** TI defines "Green" to mean the content of Chlorine (Cl) and Bromine (Br) based flame retardants meet JS709B low halogen requirements of  $\leq 1000$ ppm threshold. Antimony trioxide based flame retardants must also meet the  $\leq 1000$ ppm threshold requirement.

(3) MSL, Peak Temp. - The Moisture Sensitivity Level rating according to the JEDEC industry standard classifications, and peak solder temperature.

(4) There may be additional marking, which relates to the logo, the lot trace code information, or the environmental category on the device.

(5) Multiple Device Markings will be inside parentheses. Only one Device Marking contained in parentheses and separated by a "~" will appear on a device. If a line is indented then it is a continuation of the previous line and the two combined represent the entire Device Marking for that device.

(6) Lead finish/Ball material - Orderable Devices may have multiple material finish options. Finish options are separated by a vertical ruled line. Lead finish/Ball material values may wrap to two lines if the finish value exceeds the maximum column width.

**Important Information and Disclaimer:**The information provided on this page represents TI's knowledge and belief as of the date that it is provided. TI bases its knowledge and belief on information provided by third parties, and makes no representation or warranty as to the accuracy of such information. Efforts are underway to better integrate information from third parties. TI has taken and continues to take reasonable steps to provide representative and accurate information but may not have conducted destructive testing or chemical analysis on incoming materials and chemicals. TI and TI suppliers consider certain information to be proprietary, and thus CAS numbers and other limited information may not be available for release.

In no event shall TI's liability arising out of such information exceed the total purchase price of the TI part(s) at issue in this document sold by TI to Customer on an annual basis.

**OTHER QUALIFIED VERSIONS OF SN54LS125A, SN74LS125A :**

● Catalog : [SN74LS125A](#)

● Military : [SN54LS125A](#)

NOTE: Qualified Version Definitions:

- Catalog - TI's standard catalog product
- Military - QML certified for Military and Defense Applications

**TAPE AND REEL INFORMATION**

**QUADRANT ASSIGNMENTS FOR PIN 1 ORIENTATION IN TAPE**

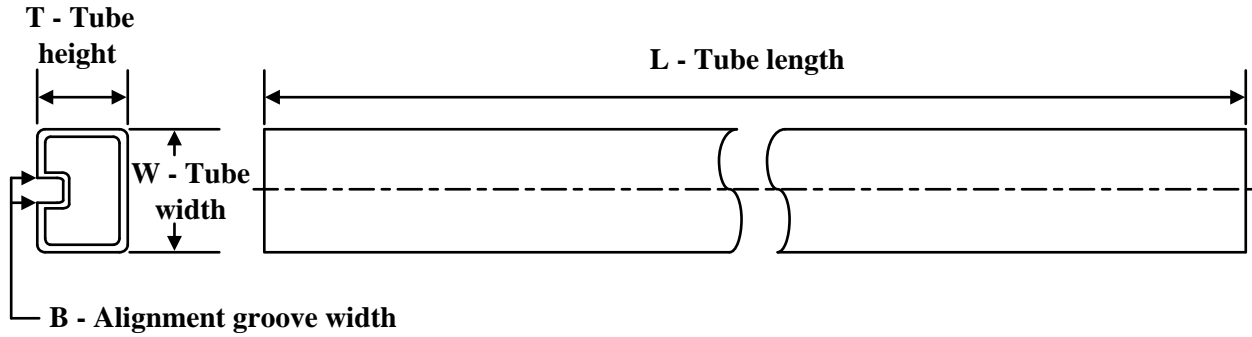

\*All dimensions are nominal

| Device        | Package Type | Package Drawing | Pins | SPQ  | Reel Diameter (mm) | Reel Width W1 (mm) | A0 (mm) | B0 (mm) | K0 (mm) | P1 (mm) | W (mm) | Pin1 Quadrant |
|---------------|--------------|-----------------|------|------|--------------------|--------------------|---------|---------|---------|---------|--------|---------------|
| SN74LS125ADBR | SSOP         | DB              | 14   | 2000 | 330.0              | 16.4               | 8.35    | 6.6     | 2.4     | 12.0    | 16.0   | Q1            |
| SN74LS125ADR  | SOIC         | D               | 14   | 2500 | 330.0              | 16.4               | 6.5     | 9.0     | 2.1     | 8.0     | 16.0   | Q1            |
| SN74LS125ANSR | SOP          | NS              | 14   | 2000 | 330.0              | 16.4               | 8.2     | 10.5    | 2.5     | 12.0    | 16.0   | Q1            |
| SN74LS126ADR  | SOIC         | D               | 14   | 2500 | 330.0              | 16.4               | 6.5     | 9.0     | 2.1     | 8.0     | 16.0   | Q1            |
| SN74LS126ANSR | SOP          | NS              | 14   | 2000 | 330.0              | 16.4               | 8.2     | 10.5    | 2.5     | 12.0    | 16.0   | Q1            |

**TAPE AND REEL BOX DIMENSIONS**


\*All dimensions are nominal

| Device        | Package Type | Package Drawing | Pins | SPQ  | Length (mm) | Width (mm) | Height (mm) |
|---------------|--------------|-----------------|------|------|-------------|------------|-------------|
| SN74LS125ADBR | SSOP         | DB              | 14   | 2000 | 356.0       | 356.0      | 35.0        |
| SN74LS125ADR  | SOIC         | D               | 14   | 2500 | 356.0       | 356.0      | 35.0        |
| SN74LS125ANSR | SOP          | NS              | 14   | 2000 | 356.0       | 356.0      | 35.0        |
| SN74LS126ADR  | SOIC         | D               | 14   | 2500 | 356.0       | 356.0      | 35.0        |
| SN74LS126ANSR | SOP          | NS              | 14   | 2000 | 356.0       | 356.0      | 35.0        |

**TUBE**


\*All dimensions are nominal

| Device           | Package Name | Package Type | Pins | SPQ | L (mm) | W (mm) | T (μm) | B (mm) |
|------------------|--------------|--------------|------|-----|--------|--------|--------|--------|
| JM38510/32301B2A | FK           | LCCC         | 20   | 55  | 506.98 | 12.06  | 2030   | NA     |
| JM38510/32301BDA | W            | CFP          | 14   | 25  | 506.98 | 26.16  | 6220   | NA     |
| M38510/32301B2A  | FK           | LCCC         | 20   | 55  | 506.98 | 12.06  | 2030   | NA     |
| M38510/32301BDA  | W            | CFP          | 14   | 25  | 506.98 | 26.16  | 6220   | NA     |
| SN74LS125AN      | N            | PDIP         | 14   | 25  | 506    | 13.97  | 11230  | 4.32   |
| SN74LS125AN      | N            | PDIP         | 14   | 25  | 506    | 13.97  | 11230  | 4.32   |
| SN74LS126AN      | N            | PDIP         | 14   | 25  | 506    | 13.97  | 11230  | 4.32   |
| SN74LS126AN      | N            | PDIP         | 14   | 25  | 506    | 13.97  | 11230  | 4.32   |
| SNJ54LS125AW     | W            | CFP          | 14   | 25  | 506.98 | 26.16  | 6220   | NA     |

## GENERIC PACKAGE VIEW

**FK 20**

**LCCC - 2.03 mm max height**

8.89 x 8.89, 1.27 mm pitch

LEADLESS CERAMIC CHIP CARRIER

This image is a representation of the package family, actual package may vary.  
Refer to the product data sheet for package details.



4229370VA\

J 14

**GENERIC PACKAGE VIEW**  
**CDIP - 5.08 mm max height**  
CERAMIC DUAL IN LINE PACKAGE



Images above are just a representation of the package family, actual package may vary.  
Refer to the product data sheet for package details.

4040083-5/G



J0014A



# PACKAGE OUTLINE

CDIP - 5.08 mm max height

CERAMIC DUAL IN LINE PACKAGE



4214771/A 05/2017

**NOTES:**

1. All controlling linear dimensions are in inches. Dimensions in brackets are in millimeters. Any dimension in brackets or parenthesis are for reference only. Dimensioning and tolerancing per ASME Y14.5M.
2. This drawing is subject to change without notice.
3. This package is hermetically sealed with a ceramic lid using glass frit.
4. Index point is provided on cap for terminal identification only and on press ceramic glass frit seal only.
5. Falls within MIL-STD-1835 and GDIP1-T14.

# EXAMPLE BOARD LAYOUT

J0014A

CDIP - 5.08 mm max height

CERAMIC DUAL IN LINE PACKAGE



LAND PATTERN EXAMPLE  
NON-SOLDER MASK DEFINED  
SCALE: 5X



4214771/A 05/2017

N (R-PDIP-T\*\*)

PLASTIC DUAL-IN-LINE PACKAGE

16 PINS SHOWN



- NOTES:
- A. All linear dimensions are in inches (millimeters).
  - B. This drawing is subject to change without notice.
  - Falls within JEDEC MS-001, except 18 and 20 pin minimum body length (Dim A).
  - The 20 pin end lead shoulder width is a vendor option, either half or full width.



# D0014A

# PACKAGE OUTLINE

## SOIC - 1.75 mm max height

SMALL OUTLINE INTEGRATED CIRCUIT



4220718/A 09/2016

### NOTES:

1. All linear dimensions are in millimeters. Dimensions in parenthesis are for reference only. Dimensioning and tolerancing per ASME Y14.5M.
2. This drawing is subject to change without notice.
3. This dimension does not include mold flash, protrusions, or gate burrs. Mold flash, protrusions, or gate burrs shall not exceed 0.15 mm, per side.
4. This dimension does not include interlead flash. Interlead flash shall not exceed 0.43 mm, per side.
5. Reference JEDEC registration MS-012, variation AB.

# EXAMPLE BOARD LAYOUT

D0014A

SOIC - 1.75 mm max height

SMALL OUTLINE INTEGRATED CIRCUIT



LAND PATTERN EXAMPLE  
SCALE:8X



SOLDER MASK DETAILS

4220718/A 09/2016

NOTES: (continued)

- 6. Publication IPC-7351 may have alternate designs.
- 7. Solder mask tolerances between and around signal pads can vary based on board fabrication site.

# EXAMPLE STENCIL DESIGN

D0014A

SOIC - 1.75 mm max height

SMALL OUTLINE INTEGRATED CIRCUIT



SOLDER PASTE EXAMPLE  
BASED ON 0.125 mm THICK STENCIL  
SCALE:8X

4220718/A 09/2016

NOTES: (continued)

8. Laser cutting apertures with trapezoidal walls and rounded corners may offer better paste release. IPC-7525 may have alternate design recommendations.
9. Board assembly site may have different recommendations for stencil design.

# MECHANICAL DATA

NS (R-PDSO-G\*\*)

PLASTIC SMALL-OUTLINE PACKAGE

14-PINS SHOWN



- NOTES:
- A. All linear dimensions are in millimeters.
  - B. This drawing is subject to change without notice.
  - C. Body dimensions do not include mold flash or protrusion, not to exceed 0,15.

W (R-GDFP-F14)

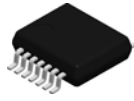
CERAMIC DUAL FLATPACK



- NOTES:
- A. All linear dimensions are in inches (millimeters).
  - B. This drawing is subject to change without notice.
  - C. This package can be hermetically sealed with a ceramic lid using glass frit.
  - D. Index point is provided on cap for terminal identification only.
  - E. Falls within MIL STD 1835 GDFP1-F14



# DB0014A



# PACKAGE OUTLINE

## SSOP - 2 mm max height

SMALL OUTLINE PACKAGE



### NOTES:

1. All linear dimensions are in millimeters. Any dimensions in parenthesis are for reference only. Dimensioning and tolerancing per ASME Y14.5M.
2. This drawing is subject to change without notice.
3. This dimension does not include mold flash, protrusions, or gate burrs. Mold flash, protrusions, or gate burrs shall not exceed 0.15 mm per side.
4. Reference JEDEC registration MO-150.

# EXAMPLE BOARD LAYOUT

DB0014A

SSOP - 2 mm max height

SMALL OUTLINE PACKAGE



LAND PATTERN EXAMPLE  
EXPOSED METAL SHOWN  
SCALE: 10X



4220762/A 05/2024

NOTES: (continued)

- 5. Publication IPC-7351 may have alternate designs.
- 6. Solder mask tolerances between and around signal pads can vary based on board fabrication site.

# EXAMPLE STENCIL DESIGN

DB0014A

SSOP - 2 mm max height

SMALL OUTLINE PACKAGE



SOLDER PASTE EXAMPLE  
BASED ON 0.125 mm THICK STENCIL  
SCALE: 10X

4220762/A 05/2024

NOTES: (continued)

7. Laser cutting apertures with trapezoidal walls and rounded corners may offer better paste release. IPC-7525 may have alternate design recommendations.
8. Board assembly site may have different recommendations for stencil design.

## IMPORTANT NOTICE AND DISCLAIMER

TI PROVIDES TECHNICAL AND RELIABILITY DATA (INCLUDING DATA SHEETS), DESIGN RESOURCES (INCLUDING REFERENCE DESIGNS), APPLICATION OR OTHER DESIGN ADVICE, WEB TOOLS, SAFETY INFORMATION, AND OTHER RESOURCES "AS IS" AND WITH ALL FAULTS, AND DISCLAIMS ALL WARRANTIES, EXPRESS AND IMPLIED, INCLUDING WITHOUT LIMITATION ANY IMPLIED WARRANTIES OF MERCHANTABILITY, FITNESS FOR A PARTICULAR PURPOSE OR NON-INFRINGEMENT OF THIRD PARTY INTELLECTUAL PROPERTY RIGHTS.

These resources are intended for skilled developers designing with TI products. You are solely responsible for (1) selecting the appropriate TI products for your application, (2) designing, validating and testing your application, and (3) ensuring your application meets applicable standards, and any other safety, security, regulatory or other requirements.

These resources are subject to change without notice. TI grants you permission to use these resources only for development of an application that uses the TI products described in the resource. Other reproduction and display of these resources is prohibited. No license is granted to any other TI intellectual property right or to any third party intellectual property right. TI disclaims responsibility for, and you will fully indemnify TI and its representatives against, any claims, damages, costs, losses, and liabilities arising out of your use of these resources.

TI's products are provided subject to [TI's Terms of Sale](#) or other applicable terms available either on [ti.com](https://www.ti.com) or provided in conjunction with such TI products. TI's provision of these resources does not expand or otherwise alter TI's applicable warranties or warranty disclaimers for TI products.

TI objects to and rejects any additional or different terms you may have proposed.

Mailing Address: Texas Instruments, Post Office Box 655303, Dallas, Texas 75265

Copyright © 2025, Texas Instruments Incorporated