

# TLC6C5716-Q1 車載用16チャンネル、完全な診断機能付きの定電流LEDドライバ

## 1 特長

- 車載アプリケーション用にAEC-Q100認定済み
  - デバイス温度グレード1: -40°C~+125°C、T<sub>A</sub>
- 16の定電流シンク出力チャンネル
  - 最大出力電流: 50mA
  - 最大出力電圧: 8V
  - 2つの出力グループ: OUTR<sub>n</sub>、OUTB<sub>n</sub>
- 出力電流の調整
  - チャンネルごとに7ビットのドット訂正(DC)
  - グループごとに8ビットの輝度制御(BC)
- PWMグレイスケール・ジェネレータを内蔵
  - チャンネルごとに独立したPWM調光
  - グローバルに構成可能なグレイスケール・モード: 12ビット、10ビット、8ビット
- 保護および診断機能
  - LED開放検出(LOD)、LED短絡検出(LSD)、出力からGNDへの短絡検出(OSD)
  - 隣接ピン短絡(APS)検出
  - 事前サーマル警告(PTW)、サーマル・シャットダウン(TSD)
  - IREF抵抗開放(IOF)および短絡検出(ISF)と保護
  - GCLKエラー検出とLOD\_LSDレジスタ・エラー・チェックの反転ビット・トグル
  - LOD\_LSD回路の自己テスト
- 出力スルー・レートをプログラム可能
- 出力チャンネル・グループ遅延
- シリアル・データ・インターフェイス

## 2 アプリケーション

- 車載用クラスタ
- 車載用ローカル調光ディスプレイ
- 車載用フェイスプレート
- 車載用HVAC制御パネル
- 車載用センター・スタック・ディスプレイ
- 車載用車内およびRGB環境照明
- 車載用Shift-by-Wireおよび変速装置

## 3 概要

インジケータやLCDローカル調光バックライトといった車載用途では、マルチチャンネルで定電流のLEDドライバに対する需要が高まっています。求められているのは、LEDの輝度および色温度を均一にすることです。システムレベルの安全性を確保するため、LEDドライバはフォルト検出機能を備えている必要があります。

TLC6C5716-Q1は、車載用16チャンネルの定電流RGB LEDドライバであり、LED診断機能を備えています。外付け抵抗による設定で最大50mAの出力電流を供給できます。電流は7ビットのドット訂正により調整可能で、各出力に2つの範囲があり、各色グループの出力に対して8ビットの輝度制御が可能です。

出力の輝度は12、10、8ビットのグレイスケール制御により個別に変更可能です。フォルト検出回路を備えており、LEDフォルト、隣接ピン短絡フォルト、基準抵抗フォルトなどを検出できます。スルーレート制御は2通りに変更可能で、これによりシステム・ノイズを最大限に低減できます。LEDグループ間での出力レベルの変更には間隔を置くため、起動電流の低減につながります。またSDIおよびSDOピンにより、複数のデバイスを直列に接続して1つのシリアル・インターフェイスで制御できます。

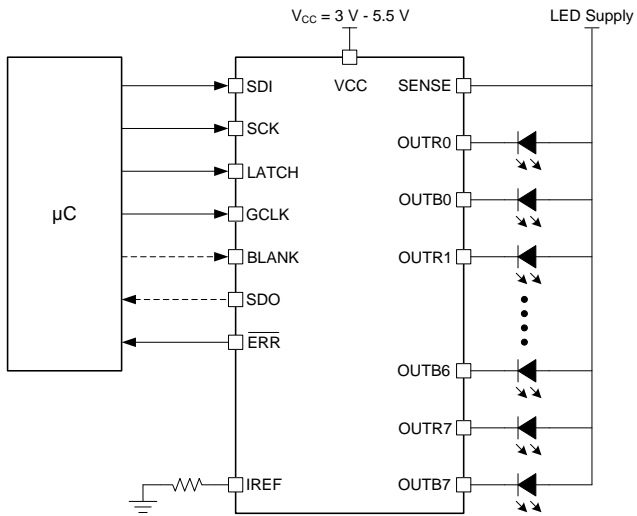
### 製品情報<sup>(1)</sup>

型番	パッケージ	本体サイズ(公称)
TLC6C5716-Q1	HTSSOP (38)	6.20mmx12.50mm

(1) 提供されているすべてのパッケージについては、データシートの末尾にある注文情報を参照してください。



代表的なアプリケーションの回路図



## 目次

1	特長 .....	1	7.4	Device Functional Modes .....	32
2	アプリケーション .....	1	7.5	Programming .....	32
3	概要 .....	1	7.6	Register Maps .....	38
4	改訂履歴 .....	3	<b>8</b>	<b>Application and Implementation</b> .....	<b>49</b>
<b>5</b>	<b>Pin Configuration and Functions</b> .....	<b>4</b>	8.1	Application Information .....	49
<b>6</b>	<b>Specifications</b> .....	<b>5</b>	8.2	Typical Application .....	49
6.1	Absolute Maximum Ratings .....	5	<b>9</b>	<b>Power Supply Recommendations</b> .....	<b>51</b>
6.2	ESD Ratings .....	5	<b>10</b>	<b>Layout</b> .....	<b>51</b>
6.3	Recommended Operating Conditions .....	6	10.1	Layout Guidelines .....	51
6.4	Thermal Information .....	7	10.2	Layout Example .....	51
6.5	Electrical Characteristics .....	7	<b>11</b>	<b>デバイスおよびドキュメントのサポート</b> .....	<b>52</b>
6.6	Timing Requirements .....	9	11.1	ドキュメントの更新通知を受け取る方法 .....	52
6.7	Switching Characteristics .....	10	11.2	コミュニティ・リソース .....	52
6.8	Typical Characteristics .....	21	11.3	商標 .....	52
<b>7</b>	<b>Detailed Description</b> .....	<b>22</b>	11.4	静電気放電に関する注意事項 .....	52
7.1	Overview .....	22	11.5	Glossary .....	52
7.2	Functional Block Diagram .....	22	<b>12</b>	<b>メカニカル、パッケージ、および注文情報</b> .....	<b>52</b>
7.3	Feature Description .....	23			

## 4 改訂履歴

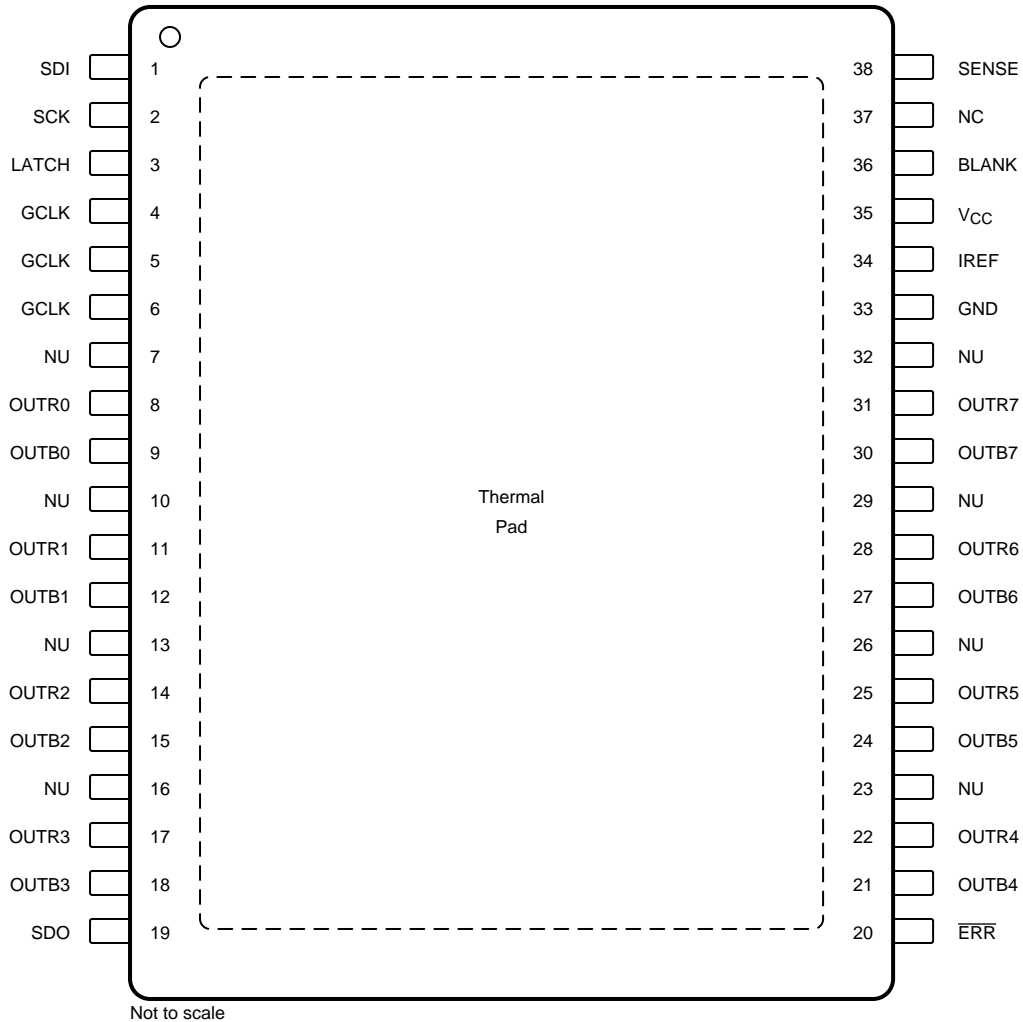
2018年7月発行のものから更新

Page

•	Changed the description for GCLK in .....	5
•	Changed "indicates" to "initiates" in the <a href="#">Global Reset</a> section .....	31
•	Added "the SID" to the <a href="#">Fault Mode</a> section to identify the register where the overtemperature fault is latched .....	32
•	Changed "APS time" to "APS detection time" for bit 199 in <a href="#">表 12</a> .....	33
•	Changed "24 zones" to "16 zones" and "six TLC6C5716-Q1 units" to "eight TLC6C5716-Q1 units" in the <a href="#">Detailed Design Procedure</a> section .....	50
•	Added a new sentence preceding <a href="#">図 32</a> .....	50
•	Added the <a href="#">Application Curves</a> section .....	50
•	Added two sentences to the <a href="#">Power Supply Recommendations</a> section .....	51

## 5 Pin Configuration and Functions

**DAP PowerPAD™ Package**  
**38-Pin HTSSOP With Exposed Thermal Pad**  
**Top View**



NC – No internal connection

NU – Make no external connection

## Pin Functions

PIN		I/O	DESCRIPTION
NAME	NO.		
BLANK	36	I	Blank all outputs. BLANK low forces all channels off. The grayscale counter resets and the grayscale PWM timing controller is initialized. BLANK high starts the grayscale PWM timing controller. Channels are controlled by the PWM timing controller.
ERR	20	O	Open-drain error feedback
GCLK	4, 5, 6	I	Clock input for the grayscale PWM counter, three pins are internally connected together
GND	33	—	Power ground
IREF	34	I	Reference-current pin for setting the full-scale output current
LATCH	3	I	Latch-enable input pin
NC	37	—	No internal connection
NU	7, 10, 13, 16, 23, 26, 29, 32	—	Not used, keep floating
OUTB0–OUTB7	9, 12, 15, 18, 21, 24, 27, 30	O	Constant-current outputs for group B
OUTR0–OUTR7	8, 11, 14, 17, 22, 25, 28, 31	O	Constant-current outputs for group R
SCK	2	I	Input pin for the data-shift clock
SDI	1	I	Serial data-in pin
SDO	19	O	Serial data-out pin
SENSE	38	I	LED supply sensing pin
V <sub>CC</sub>	35	I	Power supply pin
Thermal pad	—	—	Connect to ground to improve thermal performance

## 6 Specifications

### 6.1 Absolute Maximum Ratings

over operating junction temperature range (unless otherwise noted)<sup>(1)</sup>

		MIN	MAX	UNIT
Input voltage	V <sub>CC</sub>	–0.3	6	V
	SENSE	–0.3	8	
	BLANK, GCLK, LATCH, SCK, SDI	–0.3	V <sub>CC</sub> + 0.3	
Output voltage	ERR, IREF, SDO	–0.3	V <sub>CC</sub> + 0.3	V
	OUTR0–OUTR7, OUTB0–OUTB7	–0.3	8	
Output current	OUTR0–OUTR7, OUTB0–OUTB7	0	50	mA
Operating junction temperature, T <sub>J</sub>		–40	150	°C
Storage temperature, T <sub>stg</sub>		–55	150	°C

(1) Stresses beyond those listed under *Absolute Maximum Ratings* may cause permanent damage to the device. These are stress ratings only, which do not imply functional operation of the device at these or any other conditions beyond those indicated under *Recommended Operating Conditions*. Exposure to absolute-maximum-rated conditions for extended periods may affect device reliability.

### 6.2 ESD Ratings

		VALUE	UNIT	
V <sub>(ESD)</sub> Electrostatic discharge	Human-body model (HBM), per AEC Q100-002, <sup>(1)</sup> HBM ESD classification level H2	±2000	V	
	Charged-device model (CDM), AEC Q100 classification C4B, per AEC Q100-011	All pins		±500
		Corner pins		±750

(1) AEC Q100-002 indicates that HBM stressing shall be in accordance with the ANSI/ESDA/JEDEC JS-001 specification.

### 6.3 Recommended Operating Conditions

over operating junction temperature range (unless otherwise noted)

			MIN	NOM	MAX	UNIT
V <sub>CC</sub>	Device supply voltage		3		5.5	V
V <sub>SENSE</sub>	LED supply voltage				8	V
V <sub>O</sub>	Output voltage				8	V
V <sub>IL</sub>	Input logic-low voltage	BLANK, GCLK, LATCH, SCK, SDI	0		0.3 V <sub>CC</sub>	V
V <sub>IH</sub>	Input logic-high voltage	BLANK, GCLK, LATCH, SCK, SDI	0.7 V <sub>CC</sub>		V <sub>CC</sub>	V
I <sub>OH</sub>	High-level output current	SDO			1	mA
I <sub>OL</sub>	Low-level input current	SDO			1	mA
		$\overline{\text{ERR}}$			5	mA
I <sub>O</sub>	Constant output sink current	OUTR0–OUTR7, OUTB0–OUTB7	2		50	mA
T <sub>A</sub>	Operating ambient temperature		–40		125	°C
T <sub>J</sub>	Operating junction temperature		–40		150	°C

## 6.4 Thermal Information

THERMAL METRIC <sup>(1)</sup>		TLC6C5716-Q1	UNIT
		DAP (HTSSOP)	
		38 PINS	
R <sub>θJA</sub>	Junction-to-ambient thermal resistance	39.6	°C/W
R <sub>θJC(top)</sub>	Junction-to-case (top) thermal resistance	31.2	°C/W
R <sub>θJB</sub>	Junction-to-board thermal resistance	18.0	°C/W
ψ <sub>JT</sub>	Junction-to-top characterization parameter	0.8	°C/W
ψ <sub>JB</sub>	Junction-to-board characterization parameter	18.1	°C/W
R <sub>θJC(bot)</sub>	Junction-to-case (bottom) thermal resistance	2.0	°C/W

(1) For more information about traditional and new thermal metrics, see [Semiconductor and IC Package Thermal Metrics](#).

## 6.5 Electrical Characteristics

V<sub>CC</sub> = 3 V to 5.5 V, T<sub>J</sub> = -40°C to 150°C, V<sub>SENSE</sub> = 5 V, GS = FFFh, BC = FFh, DC = 7Fh with upper dot correction (DC) range (unless otherwise noted)

PARAMETER	TEST CONDITIONS	MIN	TYP	MAX	UNIT	
<b>POWER SUPPLIES (V<sub>CC</sub>, GND)</b>						
I <sub>CC</sub>	Supply current	SDI, SCK, LATCH = L, BLANK = L, GCLK = L, V <sub>OUT</sub> = 1 V, I <sub>OUT</sub> = 2 mA	4.2	5.5	mA	
		SDI, SCK, LATCH = L, BLANK = L, GCLK = L, V <sub>OUT</sub> = 1 V, I <sub>OUT</sub> = 20 mA	7.7	9		
		SDI, SCK, LATCH = L, BLANK = H, GCLK = 8 MHz, V <sub>OUT</sub> = 1 V, I <sub>OUT</sub> = 20 mA, auto-repeat on	8.3	10		
		SDI, SCK, LATCH = L, BLANK = H, GCLK = 8 MHz, V <sub>OUT</sub> = 1 V, I <sub>OUT</sub> = 50 mA, auto-repeat on	13.5	16		
<b>LOGIC INPUTS (SDI, SCK, LATCH, GCLK, BLANK)</b>						
I <sub>lkg</sub>	Input leakage current	V <sub>I</sub> at SCK, LATCH, GCLK = V <sub>CC</sub> ; V <sub>I</sub> at SDI, SCK, LATCH, BLANK, GCLK = GND	-1	1	μA	
R <sub>pd</sub>	Pulldown resistance at BLANK, GCLK		250	500	750	kΩ
<b>CONTROL OUTPUTS (IREF, ERR, SDO)</b>						
V <sub>IREF</sub>	IREF voltage	R <sub>IREF</sub> = 0.96 kΩ	1.17	1.2	1.23	V
V <sub>OH</sub>	High-level output voltage	At SDO, I <sub>OH</sub> = -1 mA	V <sub>CC</sub> - 0.4		V <sub>CC</sub>	V
V <sub>OL</sub>	Low-level output voltage	At SDO, I <sub>OL</sub> = 1 mA			0.4	V
V <sub>ERR</sub>	ERR pin open-drain voltage drop	I <sub>ERR</sub> = 4 mA			0.1 V <sub>CC</sub>	V
I <sub>lkg(ERR)</sub>	ERR pin leakage current	V <sub>ERR</sub> = 5 V			1	μA
<b>OUTPUT STAGE</b>						
V <sub>(OUT,min)</sub>	Minimum output voltage	V <sub>CC</sub> = 3.6 V, I <sub>OUT</sub> = 50 mA			0.67	V
		V <sub>CC</sub> = 3 V, I <sub>OUT</sub> = 50 mA			0.7	
K <sub>(OUT)</sub>	Ratio of output current to IREF current, K = I <sub>(OUTx)</sub> / I <sub>(IREF)</sub>		40			mA/mA
I <sub>lkg(OUT)</sub>	Output leakage current	BLANK = L, V <sub>OUT</sub> = 7 V, V <sub>SENSE</sub> = 7 V, I <sub>OUT</sub> = 50 mA			0.1	μA

**Electrical Characteristics (continued)**

$V_{CC} = 3\text{ V to }5.5\text{ V}$ ,  $T_J = -40^\circ\text{C to }150^\circ\text{C}$ ,  $V_{SENSE} = 5\text{ V}$ ,  $GS = \text{FFFh}$ ,  $BC = \text{FFh}$ ,  $DC = 7\text{Fh}$  with upper dot correction (DC) range (unless otherwise noted)

PARAMETER	TEST CONDITIONS	MIN	TYP	MAX	UNIT	
<b>CHANNEL ACCURACY</b>						
$I_{(OUT)}$	Constant output current	$V_{OUT} = 1\text{ V}$ , $R_{IREF} = 24\text{ k}\Omega$	1.86	2	2.14	mA
		$V_{OUT} = 1\text{ V}$ , $R_{IREF} = 0.96\text{ k}\Omega$	46.5	50	53.5	
		$V_{OUT} = 1\text{ V}$ , $R_{IREF}$ open or short	7	10	13	
$\Delta I_{(Ch-Ch)}^{(1)}$	Current accuracy (channel-to-channel in same color group)	$V_{OUT} = 1\text{ V}$ , $I_{OUT} = 50\text{ mA}$	-4%		4%	
		$V_{OUT} = 1\text{ V}$ , $I_{OUT} = 2\text{ mA}$	-4%		4%	
$\Delta I_{(Dev-Dev)}^{(2)}$	Current accuracy (device-to-device)	$V_{OUT} = 1\text{ V}$ , $I_{OUT} = 50\text{ mA}$	-4%		4%	
		$V_{OUT} = 1\text{ V}$ , $I_{OUT} = 2\text{ mA}$	-4%		4%	
$\Delta I_{(Ch-Ideal)}^{(3)}$	Current accuracy (channel-to-ideal output)	$V_{OUT} = 1\text{ V}$ , $I_{OUT} = 50\text{ mA}$	-7%		7%	
		$V_{OUT} = 1\text{ V}$ , $I_{OUT} = 2\text{ mA}$	-7%		7%	
$\Delta I_{(OUT-VCC)}^{(4)}$	Line regulation	$V_{OUT} = 1\text{ V}$ , $I_{OUT} = 50\text{ mA}$	-0.7		0.7	% / V
		$V_{OUT} = 1\text{ V}$ , $I_{OUT} = 2\text{ mA}$	-0.7		0.7	
$\Delta I_{(OUT-VOUT)}^{(5)}$	Load regulation	$V_{OUT} = 1\text{ V to }3\text{ V}$ , $I_{OUT} = 50\text{ mA}$	-0.7		0.7	% / V
		$V_{OUT} = 1\text{ V to }3\text{ V}$ , $I_{OUT} = 2\text{ mA}$	-0.7		0.7	
<b>PROTECTION CIRCUITS</b>						
$V_{LOD}$	LED open-circuit detection threshold	$LOD\_VOLTAGE = 0b$	0.275	0.3	0.32	V
		$LOD\_VOLTAGE = 1b$	0.48	0.5	0.52	

(1) Channel to channel accuracy in the same color group is calculated by the formula below. ( $X = \text{color group}$ ;  $i, j = 0 \text{ to } 7$ )

$$\Delta I_{(Ch-Ch)} = \left( \frac{8 \times I_{OUTXi}}{\sum_{j=0}^7 I_{OUTXj}} - 1 \right) \times 100\%$$

(2) Device to device accuracy is calculated by the formula below.

$$\Delta I_{(Dev-Dev)} = \left( \frac{\sum_{i=0}^7 (I_{OUTRi} + I_{OUTBi})}{16} - I_{OUT,ideal} \right) \times 100\%$$

$$I_{OUT,ideal} = \frac{V_{IREF}}{R_{IREF}} \times K_{(OUT)}$$

(3) Channel to ideal accuracy is calculated by the formula below.

$$\Delta I_{(Ch-Ideal)} = \left( \frac{I_{OUTXi}}{I_{OUT,ideal}} - 1 \right) \times 100\%$$

(4) Line regulation accuracy is calculated by the formula below.

$$\Delta I_{(OUT-VCC)} = \left( \frac{I_{(OUTXi, VCC=5.5V)} - I_{(OUTXi, VCC=3V)}}{I_{(OUTXi, VCC=3V)}} \right) \times \frac{100}{5.5-3} \% / V$$

(5) Load regulation accuracy is calculated by the formula below.

$$\Delta I_{(OUT-VOUT)} = \left( \frac{I_{(OUTXi, VOUT=3V)} - I_{(OUTXi, VOUT=1V)}}{I_{(OUTXi, VOUT=1V)}} \right) \times \frac{100}{3-1} \% / V$$



## Electrical Characteristics (continued)

$V_{CC} = 3\text{ V to }5.5\text{ V}$ ,  $T_J = -40^\circ\text{C to }150^\circ\text{C}$ ,  $V_{SENSE} = 5\text{ V}$ , GS = FFFh, BC = FFh, DC = 7Fh with upper dot correction (DC) range (unless otherwise noted)

PARAMETER		TEST CONDITIONS	MIN	TYP	MAX	UNIT
$V_{LSD}$	LED short-circuit detection threshold	LSD_VOLTAGE = 0b	$V_{SENSE} - 0.4$	$V_{SENSE} - 0.3$	$V_{SENSE} - 0.2$	V
		LSD_VOLTAGE = 1b	$V_{SENSE} - 0.8$	$V_{SENSE} - 0.7$	$V_{SENSE} - 0.6$	
$I_{IREF\_OC}$	IREF resistor open-circuit detection threshold	$V_{CC} = 5\text{ V}$	8	10	12	$\mu\text{A}$
$I_{IREF\_OCHYS}$	IREF resistor open-circuit detection threshold hysteresis	$V_{CC} = 5\text{ V}$		5		$\mu\text{A}$
$I_{IREF\_SC}$	IREF resistor short-circuit-detection threshold	$V_{CC} = 5\text{ V}$	2	2.7	3.2	mA
$I_{IREF\_SCHYS}$	IREF resistor short-circuit-detection threshold hysteresis	$V_{CC} = 5\text{ V}$		0.3		mA
$T_{PTW}$	Pre-thermal warning flag threshold		125	135	145	$^\circ\text{C}$
$T_{HYS\_PTW}$	Pre-thermal warning flag hysteresis			10		$^\circ\text{C}$
$T_{SD}$	Thermal error flag threshold		150	160	170	$^\circ\text{C}$
$T_{HYS\_TEF}$	Thermal error flag hysteresis			10		$^\circ\text{C}$

## 6.6 Timing Requirements

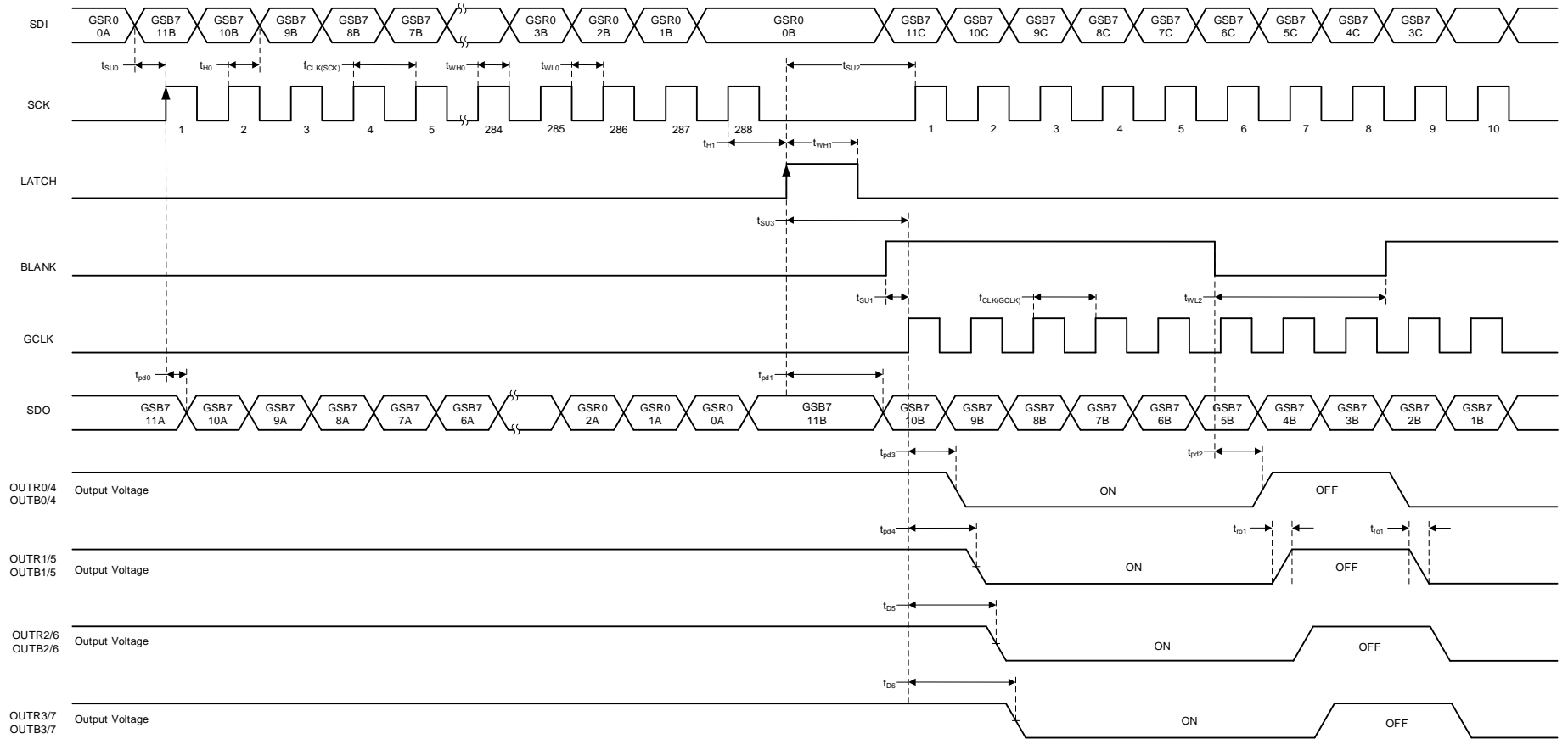
$V_{CC} = 3\text{ V to }5.5\text{ V}$ ,  $T_J = -40^\circ\text{C to }150^\circ\text{C}$ .

		MIN	NOM	MAX	UNIT
$f_{CLK(SCK)}$	SCK data-shift clock frequency			4	MHz
$f_{CLK(GCLK)}$	GCLK grayscale clock frequency			8	MHz
$t_{WH0}$	SCK high pulse duration	60			ns
$t_{WL0}$	SCK low pulse duration	60			ns
$t_{WH1}$	LATCH high pulse duration	80			ns
$t_{WL1}$	LATCH low pulse duration	80			ns
$t_{WL2}$	BLANK pulse duration	80			ns
$t_{WH3}$	GCLK high pulse duration	40			ns
$t_{WL3}$	GCLK low pulse duration	40			ns
$t_{SU0}$	SDI $\uparrow$ – SCK $\uparrow$ setup time	55			ns
$t_{SU1}$	BLANK $\uparrow$ – GCLK $\uparrow$ setup time	60			ns
$t_{SU2}$	LATCH $\uparrow$ – SCK $\uparrow$ setup time	200			ns
$t_{SU3}$	LATCH $\uparrow$ for GS data – GCLK $\uparrow$ when display timing reset mode is disabled, setup time	90			ns
$t_{SU4}$	LATCH $\uparrow$ for GS data – GCLK $\uparrow$ when display timing reset mode is enabled, setup time	150			ns
$t_{H0}$	SCK $\uparrow$ – SDI $\uparrow$ hold time	55			ns
$t_{H1}$	SCK $\uparrow$ – LATCH $\uparrow$ hold time	85			ns
$t_{H2}$	SCK $\uparrow$ – LATCH $\downarrow$ hold time	55			ns
$t_{RI0}$	SDI SCK LATCH rise time			50	ns
$t_{RI1}$	GCLK rise time			30	ns
$t_{FI0}$	SDI SCK LATCH fall time			50	ns
$t_{FI1}$	GCLK fall time			30	ns

## 6.7 Switching Characteristics

over operating junction temperature range (unless otherwise noted)

PARAMETER		TEST CONDITIONS	MIN	TYP	MAX	UNIT
$t_{ro0}$	Rise time from 10% $V_{SDO}$ to 90% $V_{SDO}$			60		ns
$t_{ro1}$	Rise time from 10% $V_{OUT}$ to 90% $V_{OUT}$	$I_{OUT} = 50 \text{ mA}$ , SLEW_RATE = 0b		200		ns
$t_{ro2}$	Rise time from 10% $V_{OUT}$ to 90% $V_{OUT}$	$I_{OUT} = 50 \text{ mA}$ , SLEW_RATE = 1b	60	100	140	ns
$t_{fo0}$	Fall time from 90% $V_{SDO}$ to 10% $V_{SDO}$			30		ns
$t_{fo1}$	Fall time from 90% $V_{OUT}$ to 10% $V_{OUT}$	$I_{OUT} = 50 \text{ mA}$ , SLEW_RATE = 0b		200		ns
$t_{fo2}$	Fall time from 90% $V_{OUT}$ to 10% $V_{OUT}$	$I_{OUT} = 50 \text{ mA}$ , SLEW_RATE = 1b	30	80	130	ns
$t_{pd0}$	Propagation delay, SCK $\uparrow$ to SDO		100	140	200	ns
$t_{pd1}$	Propagation delay, LATCH $\uparrow$ to SDO		130	180	220	ns
$t_{pd2}$	Propagation delay, BLANK $\downarrow$ to OUTR0, -B0, -R4, -B4 off		10	120	260	ns
$t_{pd3}$	Propagation delay, GCLK $\uparrow$ to OUTR0, -B0, -R4, -B4 on		80	160	260	ns
$t_{pd4}$	Propagation delay, GCLK $\uparrow$ to OUTR1, -B1, -R5, -B5 on		120	200	330	ns
$t_{pd5}$	Propagation delay, GCLK $\uparrow$ to OUTR2, -B2, -R6, -B6 on		160	250	370	ns
$t_{pd6}$	Propagation delay, GCLK $\uparrow$ to OUTR3, -B3, -R7, -B7 on		190	280	400	ns
$t_{pd7}$	Propagation delay, LATCH $\uparrow$ to $V_{OUT}$	Changing by dot correction control (control data are 0Ch $\rightarrow$ 72h or 72h $\rightarrow$ 0Ch with upper DC range), BC -R, -B = FFh	10	80	120	ns
$t_{pd8}$	Propagation delay, LATCH $\uparrow$ to $V_{OUT}$	Changing by global brightness control (control data are 19h $\rightarrow$ E6h or E6h $\rightarrow$ 19h with DC -Rn, -Bn = 7Fh with upper DC range)	10	130	200	ns
$t_{pd9}$	Propagation delay, LATCH $\uparrow$ to APS register and APS flag change	SINK_CURRENT = 0b		5		ns
$t_{pd10}$	Propagation delay, LATCH $\uparrow$ to APS register and APS flag change	SINK_CURRENT = 1b		10		ns
$t_{pd11}$	Propagation delay, LATCH $\uparrow$ to LOD self-flag change	No failure in LOD-LSD detector circuit		24		ns

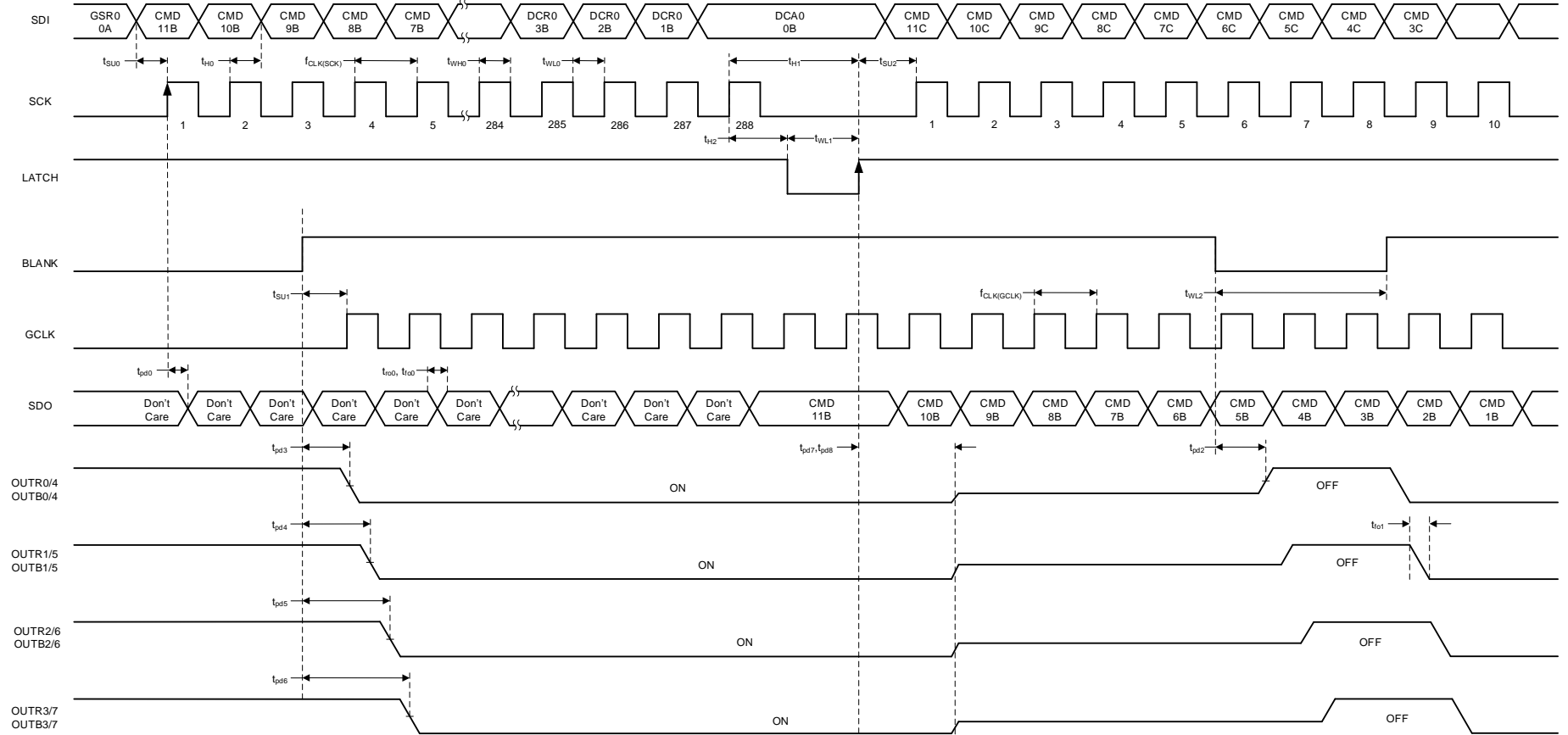


**1. Grayscale Data (GS) Write**

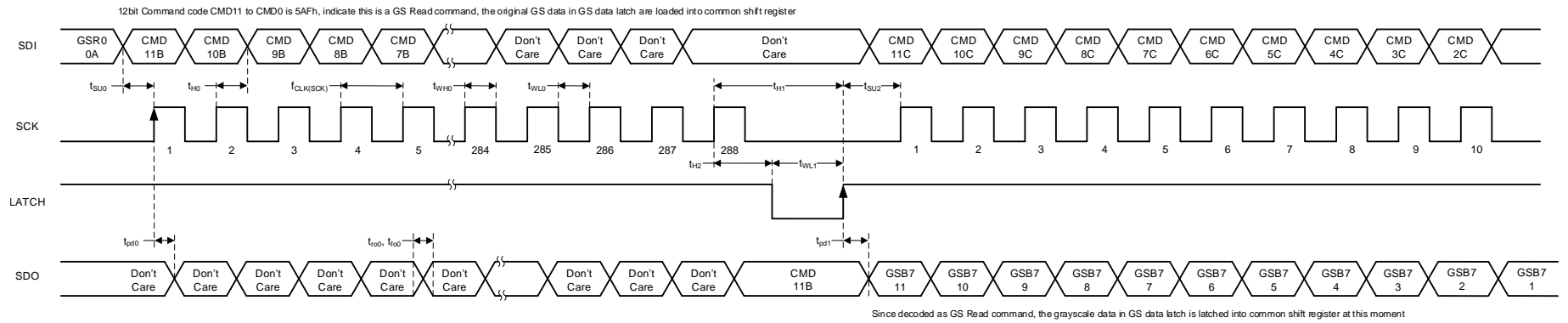
TLC6C5716-Q1

JAJSFP3A –JULY 2018–REVISED AUGUST 2018

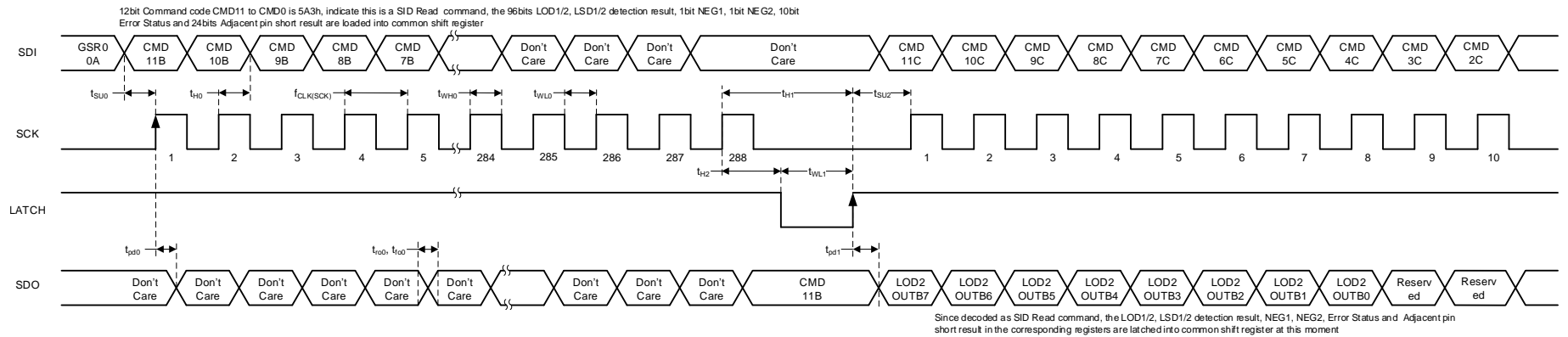
www.tij.co.jp



2. Function-Control, Brightness-Control, and Dot-Correction (FC-BC-DC) Data Write



**3. Grayscale (GS) Data Read**



**4. Status Information Data (SID) Read**

TLC6C5716-Q1

JAJSFP3A –JULY 2018–REVISED AUGUST 2018

www.tij.co.jp

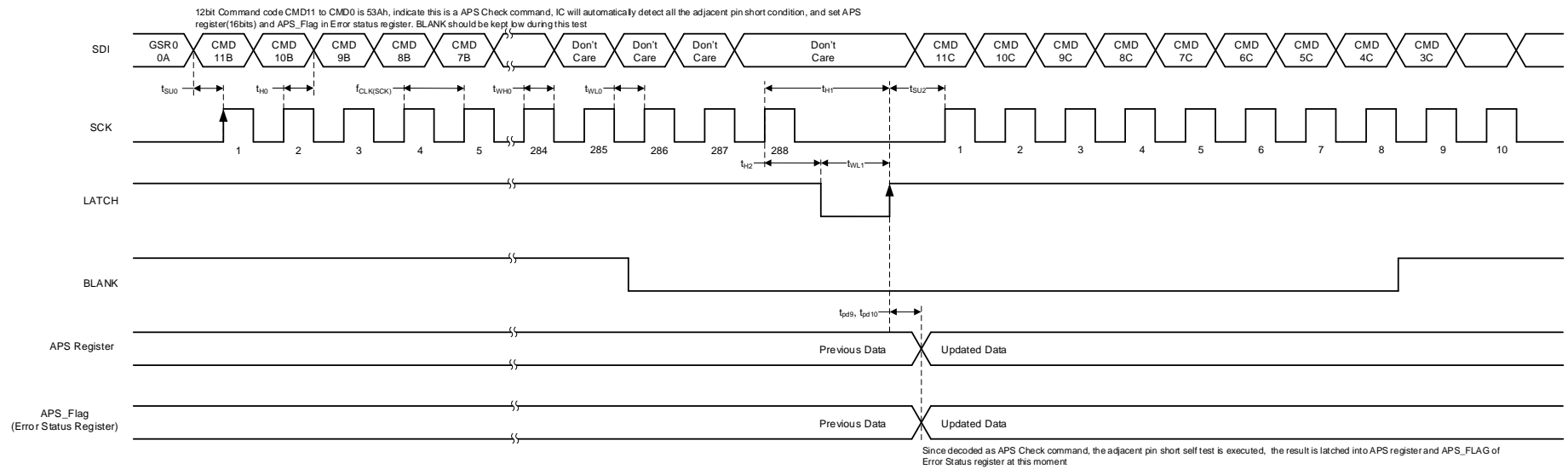


图 5. Adjacent-Pin-Short (APS) Check

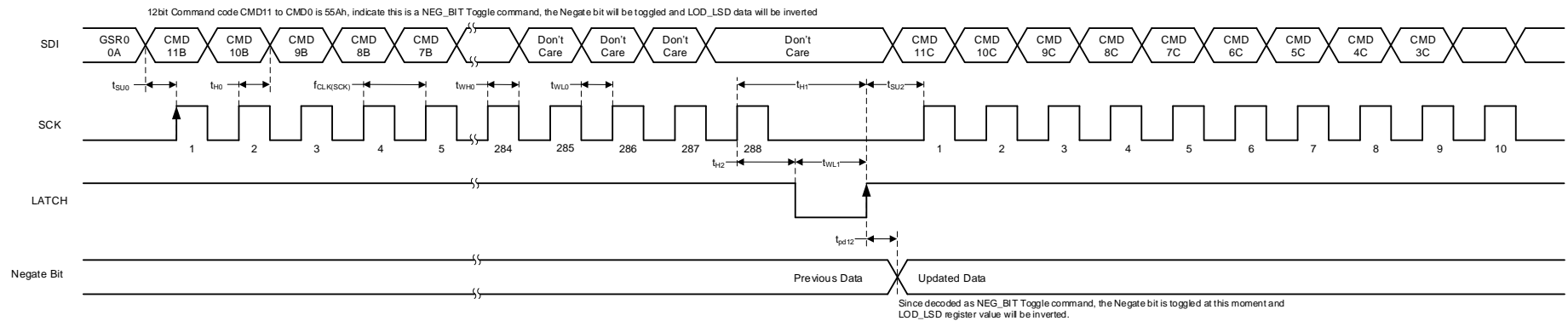
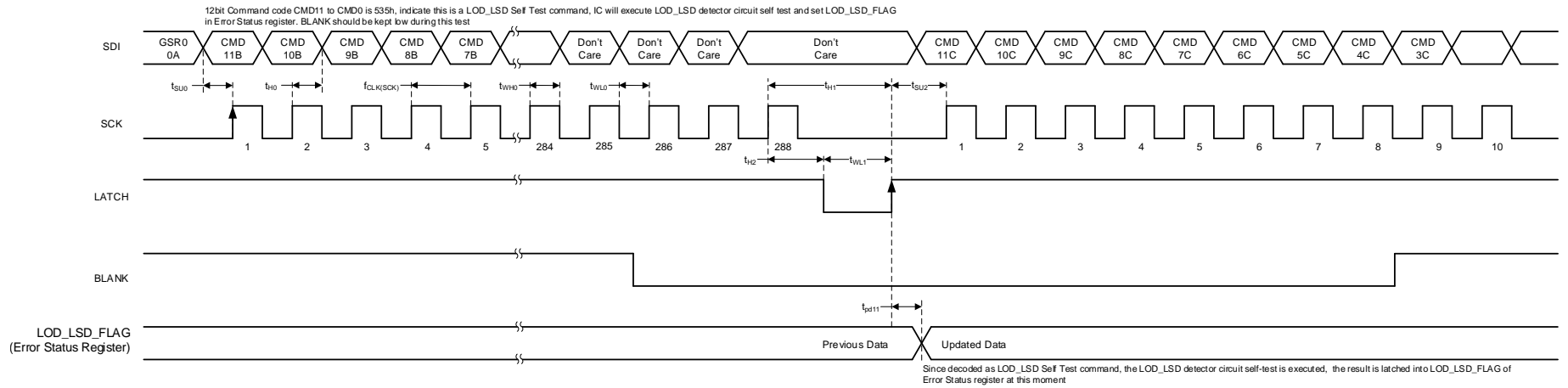
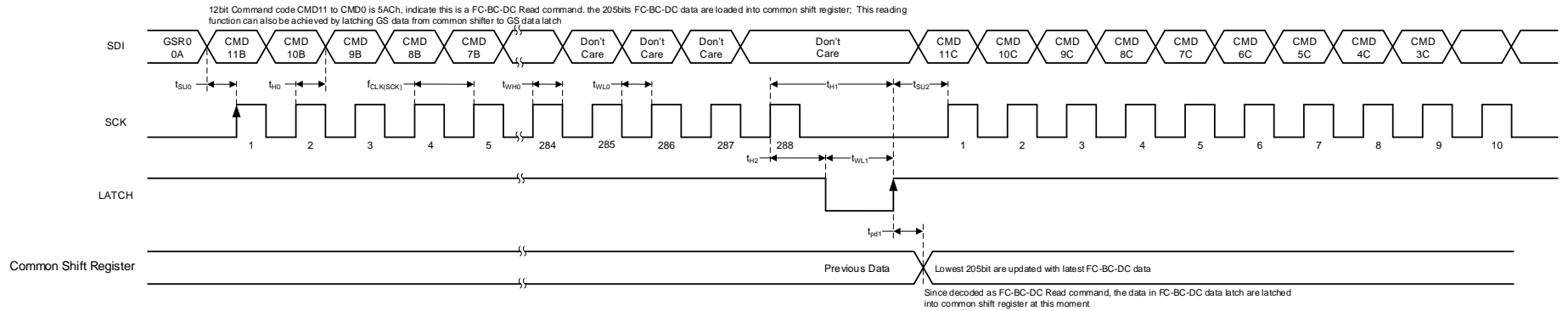


图 6. Negate Bit Toggle



**7. LOD\_LSD Self-Test**

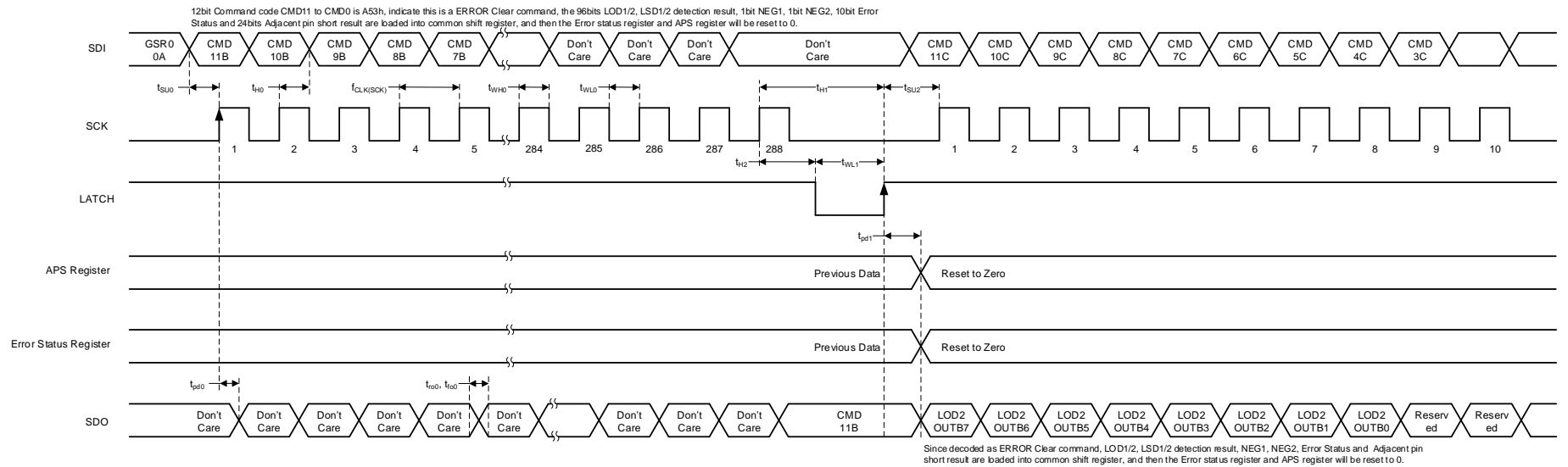


**8. Function Control, Brightness Control, and Dot Correction (FC-BC-DC) Data Read**

**TLC6C5716-Q1**

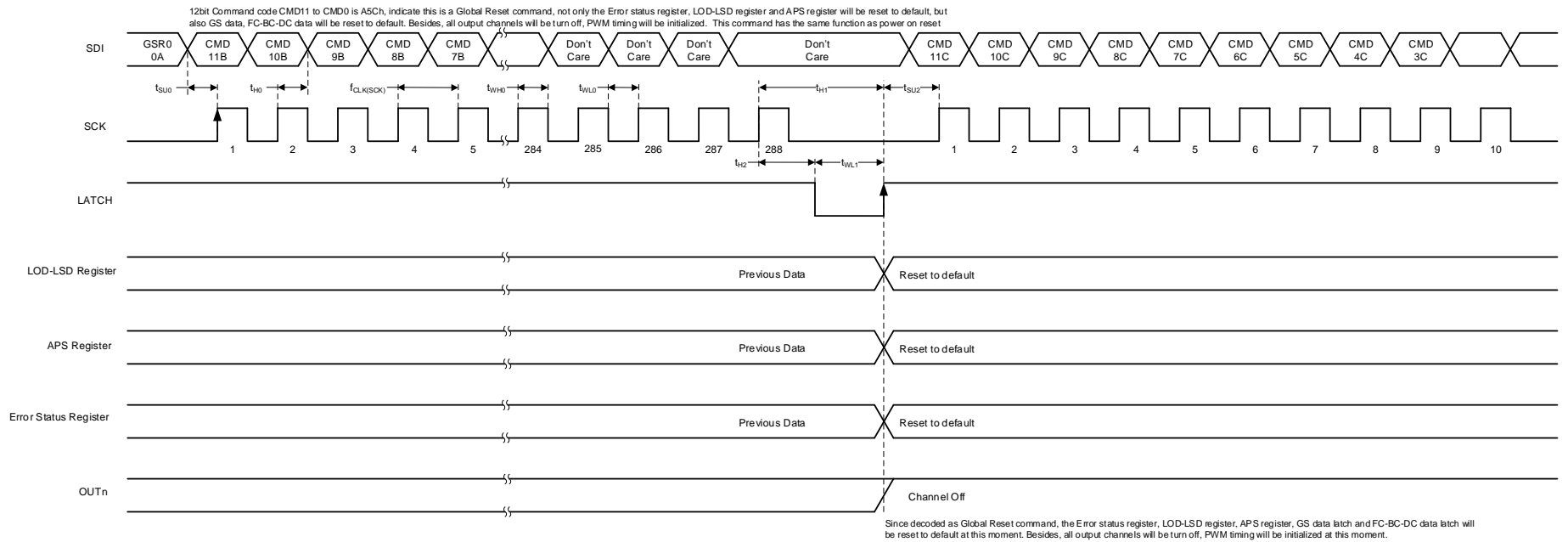
JAJSP3A –JULY 2018–REVISED AUGUST 2018

www.tij.co.jp



**9. ERROR Clear**



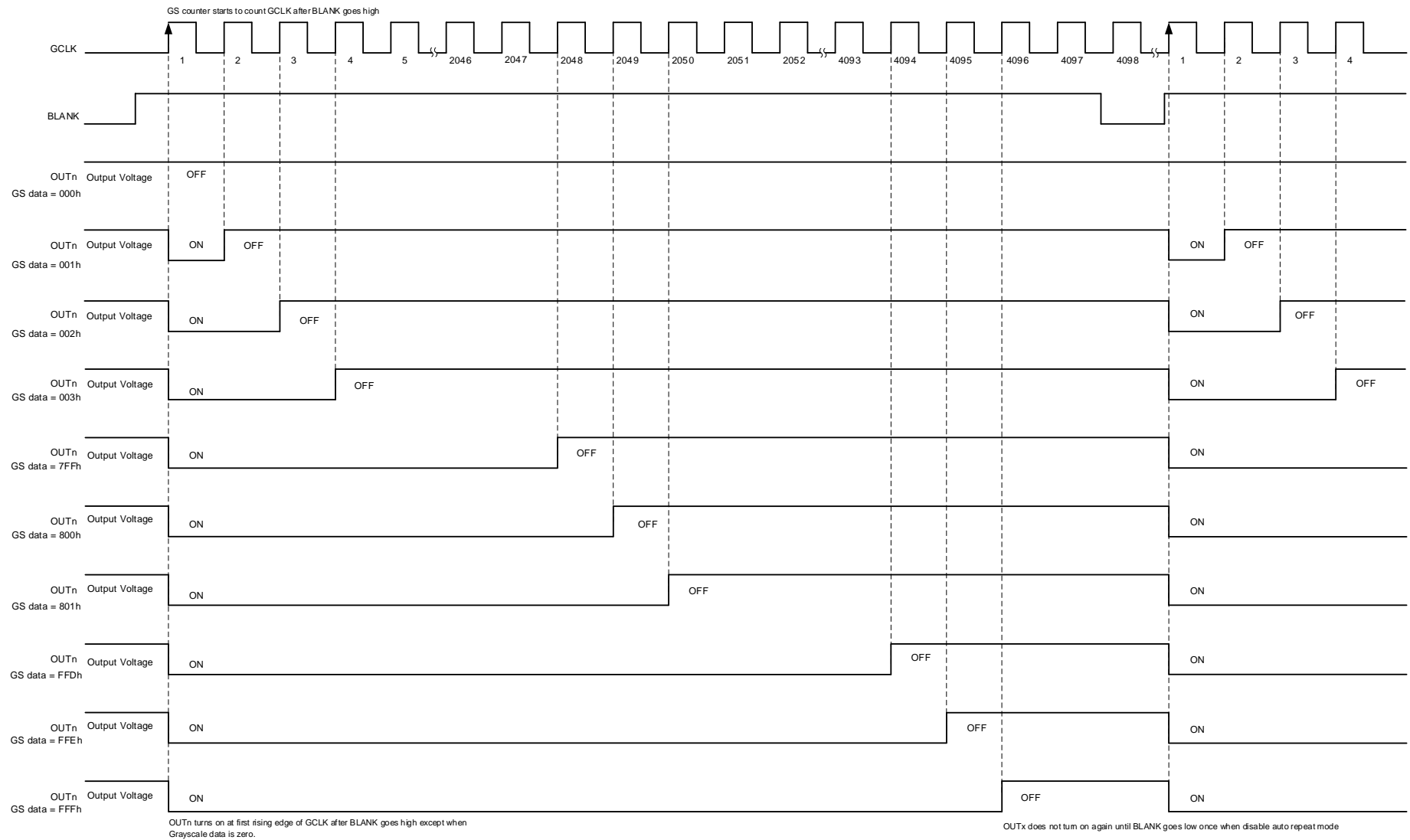


**10. Global Reset**

**TLC6C5716-Q1**

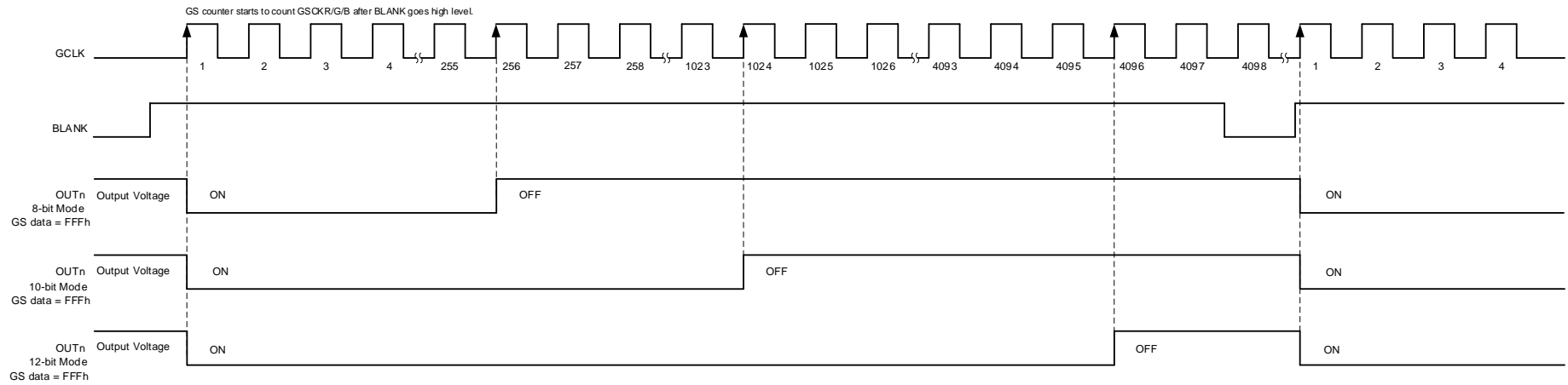
JAJSFP3A –JULY 2018–REVISED AUGUST 2018

www.tij.co.jp

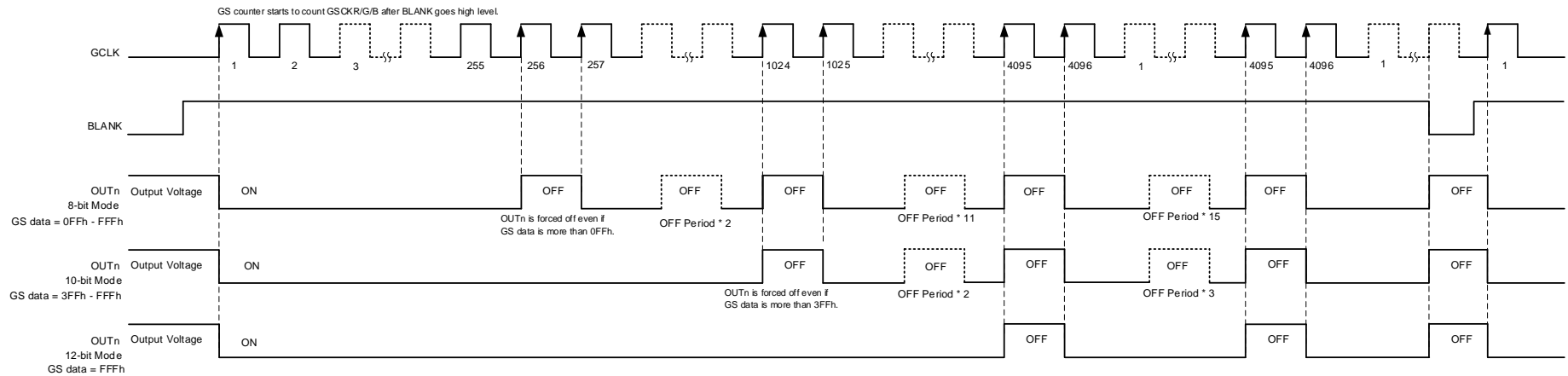


Note 1: The internal blank signal is generated when LATCH is input for GS data with display timing reset enable. Also the signal is generated at 4096 $\times$  GCLK when auto repeat mode is enabled. BLANK can be connected to VCC when TIMING\_RESET or AUTO\_REPEAT is enabled.

**11. 12-Bit Mode PWM Counter Without Auto-Repeat Mode**



**图 12. 8-, 10-, 12-Bit Mode PWM Counter Without Auto-Repeat Mode**

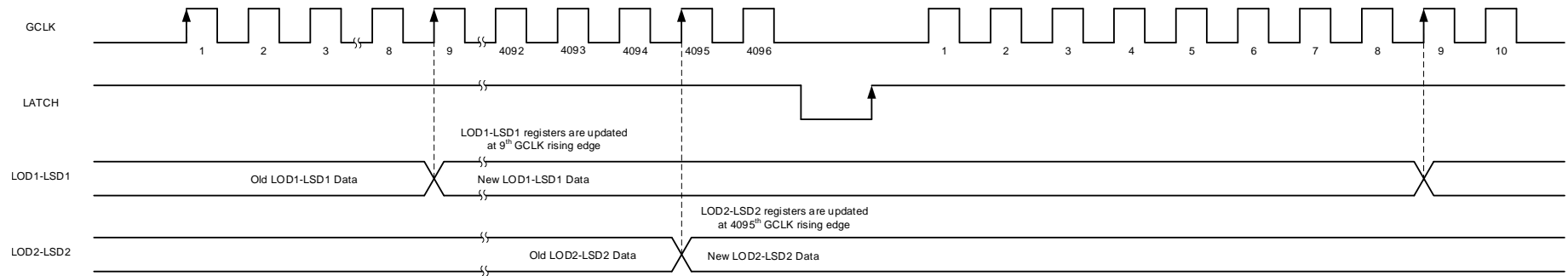


**图 13. 8-, 10-, 12-Bit Mode PWM Counter With Auto-Repeat Mode**

**TLC6C5716-Q1**

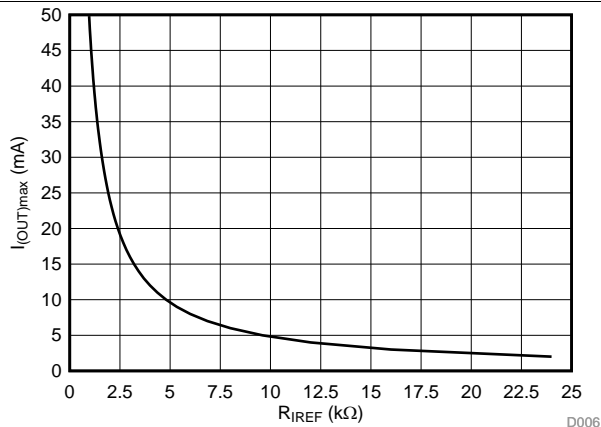
JAJSP3A –JULY 2018–REVISED AUGUST 2018

[www.tij.co.jp](http://www.tij.co.jp)

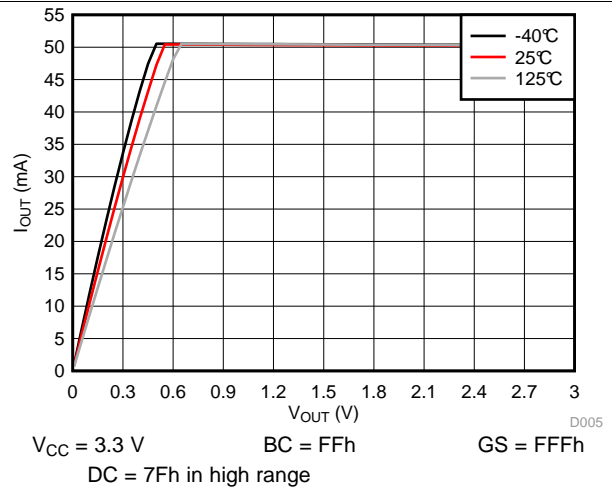


**图 14. LOD-LSD Register Update Timing**

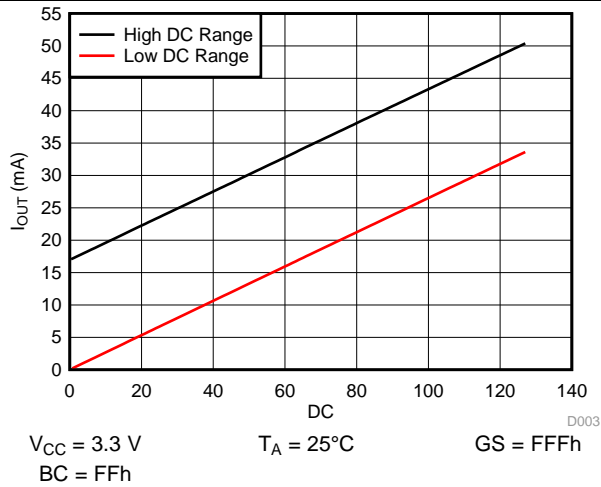
### 6.8 Typical Characteristics



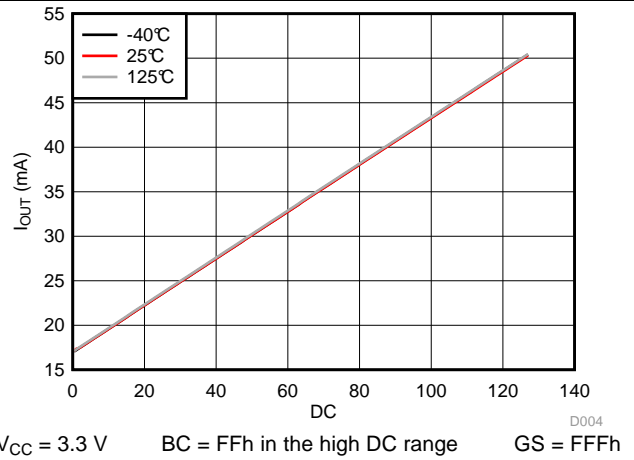
15.  $I_{OUTmax}$  vs  $R_{REF}$



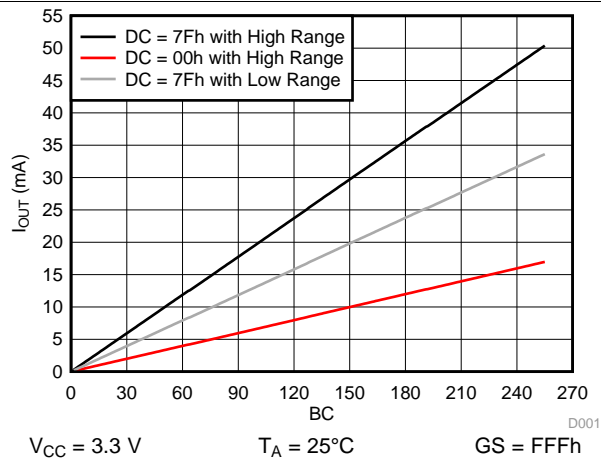
16.  $I_{OUT}$  vs  $V_{OUT}$



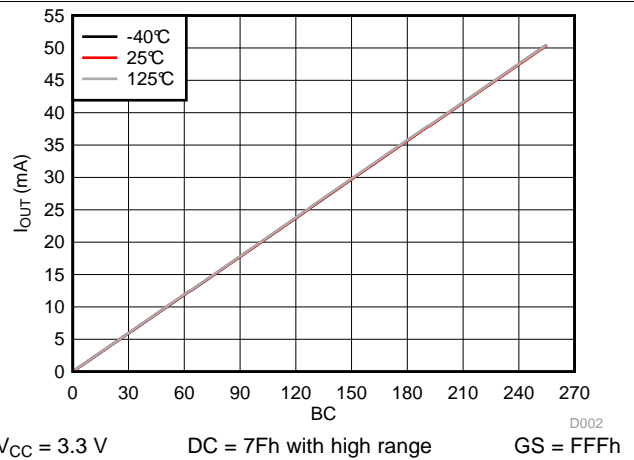
17.  $I_{OUT}$  vs Dot Correction in Different DC Ranges



18.  $I_{OUT}$  vs Dot Correction at Different Ambient Temperatures



19.  $I_{OUT}$  vs Brightness Control in Different DC Ranges



20.  $I_{OUT}$  vs Brightness Control at Different Ambient Temperatures

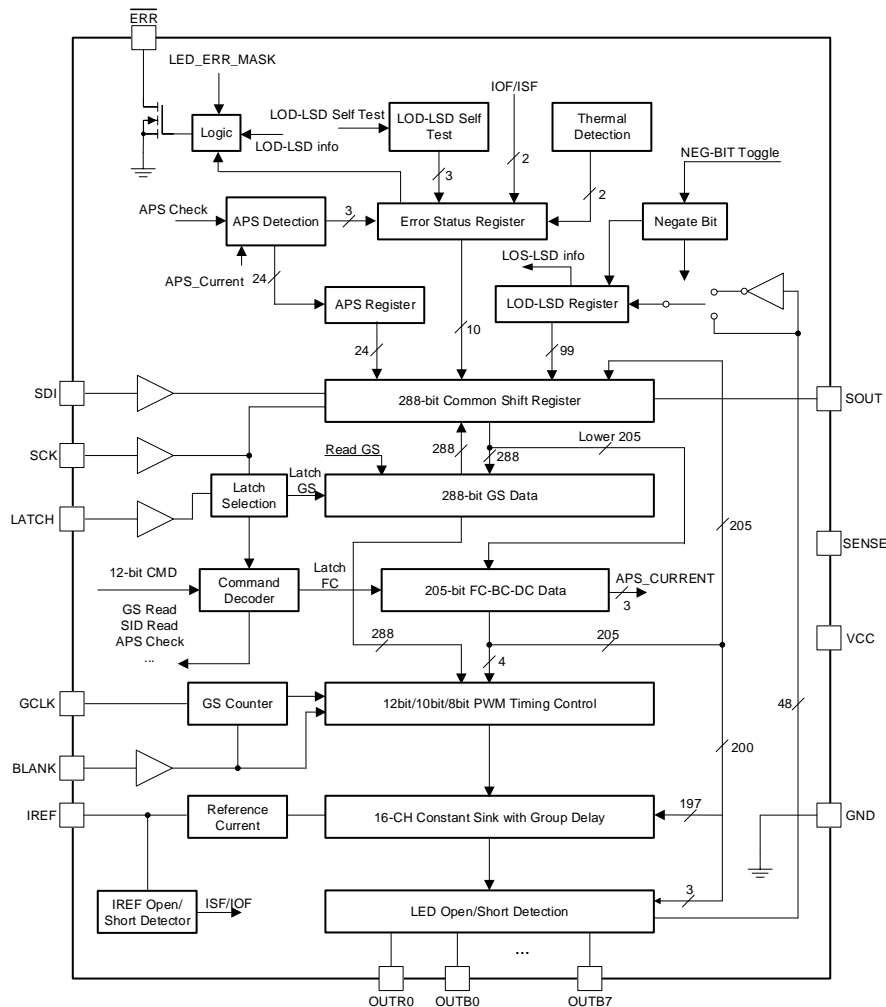
## 7 Detailed Description

### 7.1 Overview

In automotive indicator and local dimming backlighting applications, the demand for multi-channel constant current LED drivers is increasing to achieve uniformity of LED brightness and color temperature. System-level safety considerations require fault detection capability and device self-check features.

The TLC6C5716-Q1 is an automotive 16-channel constant-current LED driver with LED diagnostics. The TLC6C5716-Q1 provides up to 50 mA of output current set by an external resistor. The current can be adjusted by 7-bit dot correction with two subranges for individual outputs, and an 8-bit brightness control for all the outputs of each color group. The brightness can be adjusted individually for each channel through a 12-, 10-, or 8-bit grayscale control. Fault-detection circuits are available to detect system faults including LED faults, adjacent-pin short faults, reference-resistor faults, and more. Negate bit toggle and LOD-LSD self-test provide a device self-check function to improve system reliability. Configurable slew-rate control optimizes the noise generation of the system and improves the system EMC performance. Output-channel group delay helps to reduce inrush current to optimize the system design. The SDI and SDO pins allow more than one device to be connected in a daisy chain for control through one serial interface.

### 7.2 Functional Block Diagram



## 7.3 Feature Description

### 7.3.1 Maximum Constant-Sink-Current Setting

LED full-scale current can be set using an external resistor connected between the IREF pin and GND. The  $R_{IREF}$  resistor value is calculated with the following formula.

$$R_{IREF} = K \times \frac{V_{IREF}}{I_{(OUT)max}}$$

where

- $V_{IREF}$  is the reference voltage
  - $K$  is the IREF current to output current ratio
  - $I_{(OUT)max}$  is full-scale current for each output
- (1)

Figure 15 shows the reference-resistor calculation curve.

### 7.3.2 Brightness Control and Dot Correction

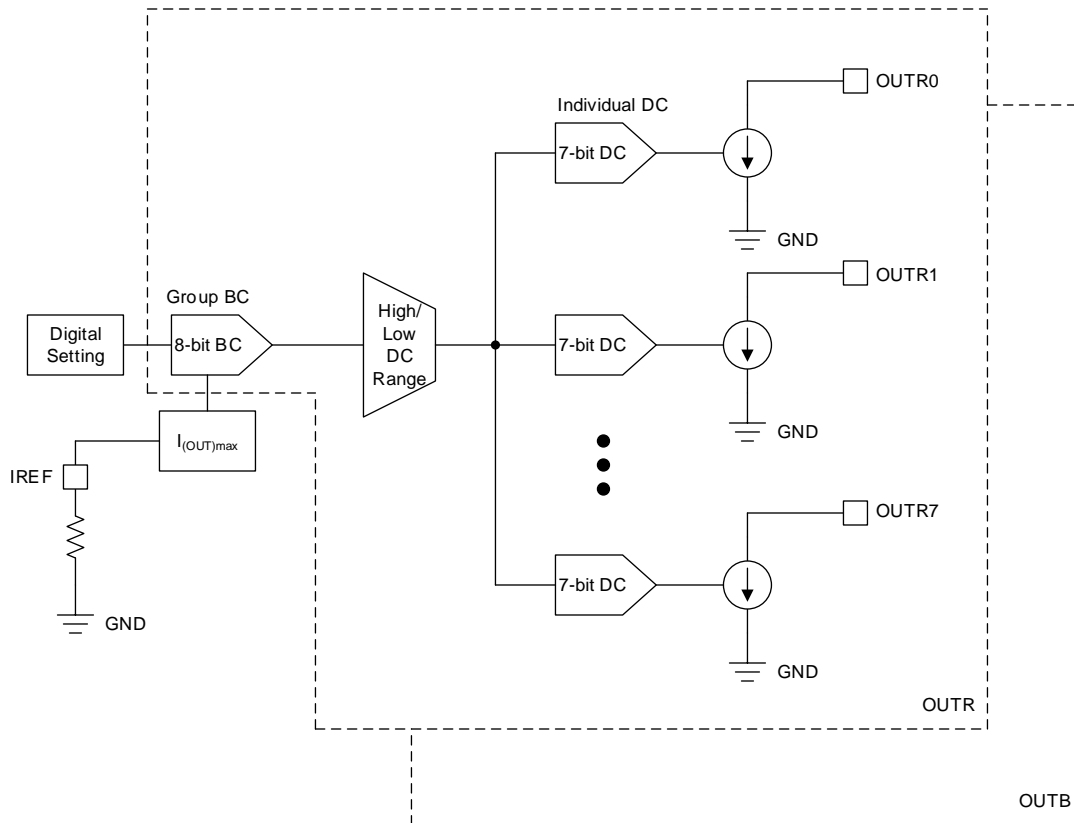
The TLC6C5716-Q1 device implements an 8-bit group brightness control (BC) and 7-bit individual dot correction (DC) to calibrate the output current. The 16 output channels are divided into two groups: OUTRn and OUTBn. Each group contains 8 output channels. There are two configurable ranges for the DC value of each group. One is the low DC range with output current from 0 to 66.7%  $I_{(OUT)max}$ , the other is the high DC range with output current from 33.3%  $I_{(OUT)max}$  to 100%  $I_{(OUT)max}$ . The IREF resistor, BC, DC, and DC range together determine the channel output current, as shown in Figure 21. Equation 2 and Equation 3 are the detailed output current calculation formulas.

Equation 2 determines the output sink current for each group when DC is in high adjustment range.

$$I_{OUT} = \left( \frac{1}{3} \times I_{(OUT)max} + \frac{2}{3} \times I_{(OUT)max} \times \frac{DC}{127} \right) \times \frac{BC}{255}$$
(2)

Equation 3 determines the output sink current for each group when DC is in the low adjustment range.

$$I_{OUT} = \frac{2}{3} \times I_{(OUT)max} \times \frac{DC}{127} \times \frac{BC}{255}$$
(3)

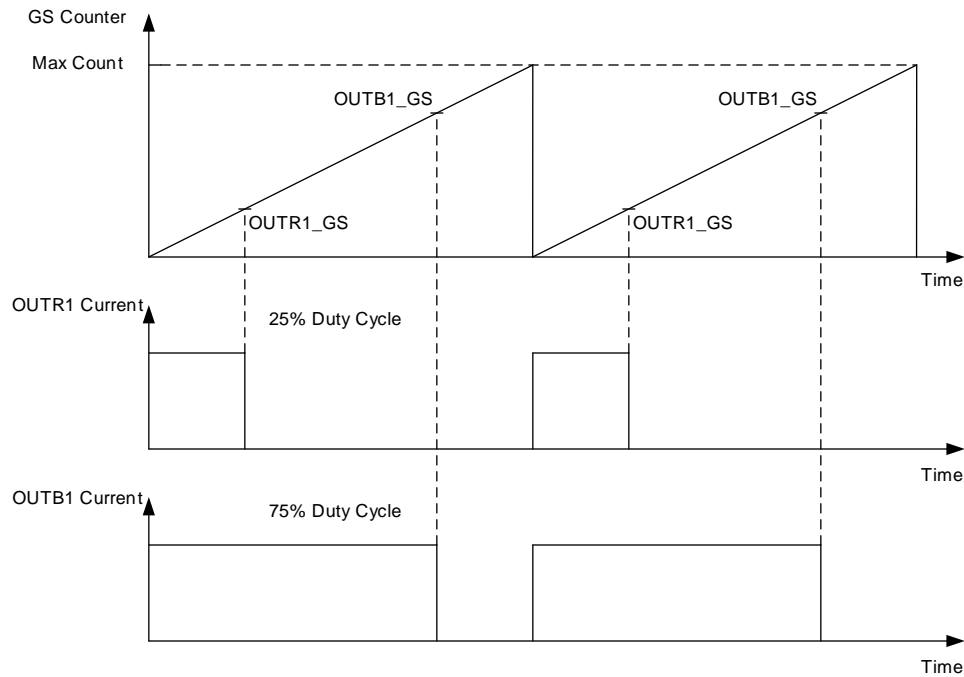
**Feature Description (continued)**

**图 21. Brightness Control and Dot Correction Block Diagram**
**7.3.3 Grayscale Configuration**

The TLC6C5716-Q1 device implements a grayscale configuration function to realize an individual PWM dimming function for the output channels. The grayscale has three global configuration modes, 12-bit, 10-bit and 8-bit. The GCLK input provides the clock source for the internal PWM generator. The GS counter counts the GCLK number and compares the number with channel grayscale register value, and the output channel turns off when the GS counter value reaches the grayscale register value. 图 22 shows the detailed block diagram of the PWM generator.

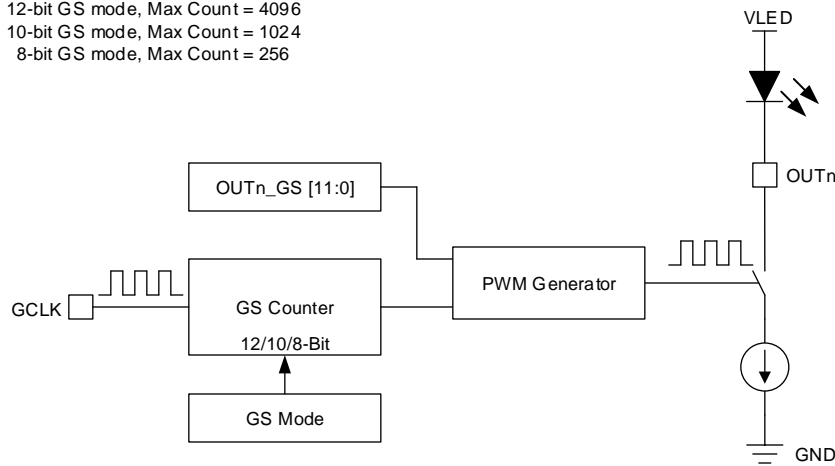
To start a new PWM cycle, users can use two methods. One is to toggle the BLANK pin after the GS counter reaches the maximum count value, because BLANK low resets the GS counter and BLANK high restarts the GS counter. Another is to pull BLANK high and set the AUTO\_REPEAT&TIMING\_RESET register bit to 1, 表 12. The PWM starts a new cycle automatically after the GS counter reaches its maximum count value.



Feature Description (continued)



12-bit GS mode, Max Count = 4096  
 10-bit GS mode, Max Count = 1024  
 8-bit GS mode, Max Count = 256



22. PWM Generator

7.3.3.1 PWM Auto Repeat

The PWM auto repeat function is configured by the AUTO\_REPEAT bit. The AUTO\_REPEAT bit is 0 by default, and the PWM auto repeat function is disabled in this condition. The PWM cycle only executes once, so users must toggle BLANK to start a new PWM cycle. 11 and 12 show the PWM operation in this mode. When the AUTO\_REPEAT bit is 1, the PWM auto repeat function is enabled, and the PWM cycle automatically repeats as long as BLANK is high and GCLK is present, as shown in 13.

## Feature Description (continued)

### 7.3.3.2 PWM Timing Reset

The PWM timing reset function is configured by the TIMING\_RESET bit. The PWM timing reset function can restart a PWM cycle with a newly configured duty cycle after a GS data write. The TIMING\_RESET bit is 0 by default, and the PWM timing reset function is disabled in this condition. The PWM cycle is not influenced by a GS data write, and the newly configured PWM duty cycle only is valid after the current PWM cycle finishes. When the TIMING\_RESET bit is 1, the PWM timing reset function is enabled, and the PWM cycle restarts with new PWM duty cycle immediately after the GS data write.

### 7.3.4 Diagnostics

The TLC6C5716-Q1 device integrates a full LED diagnostics function, such as LED-open detection (LOD), LED-short detection (LSD), and output short-to-GND detection (OSD), which helps to improve the system safety.

#### 7.3.4.1 LED Diagnostics

An LOD-LSD detection circuit compares the output voltage with the LOD threshold and LSD threshold, and [表 1](#) shows the output results.

**表 1. LOD-LSD Detection**

OUTPUT VOLTAGE CONDITION	DETECTOR OUTPUT BIT VALUE	
	LOD	LSD
$V_{OUTn} < LOD\_VOLTAGE$	1	0
$LOD\_VOLTAGE < V_{OUTn} < LSD\_VOLTAGE$	0	0
$V_{OUTn} > LSD\_VOLTAGE$	0	1

The LOD threshold can be configured by the LOD\_VOLTAGE bit in the FC-BC-DC register, [表 12](#). The threshold is 0.3 V when LOD\_VOLTAGE = 0, and the threshold is 0.5 V when LOD\_VOLTAGE = 1.

**表 2. LOD Threshold**

LOD_VOLTAGE BIT	LOD THRESHOLD
0 (Default)	0.3 V
1	0.5 V

The LSD threshold is configured by the LSD\_VOLTAGE bit in the FC-BC-DC register, [表 12](#). The threshold is  $V_{SENSE} - 0.3$  V when LSD\_VOLTAGE = 0, and the threshold is  $V_{SENSE} - 0.7$  V when LSD\_VOLTAGE = 1.

**表 3. LSD Threshold**

LSD_VOLTAGE BIT	LSD THRESHOLD
0 (Default)	$V_{SENSE} - 0.3$ V
1	$V_{SENSE} - 0.7$ V

There are two sets of LOD-LSD registers in the device, one is the LOD1-LSD1 registers, the other is the LOD2-LSD2 registers. Each group of registers consists of 24 bits of LOD data and 24 bits of LSD data, corresponding to the 24 channel outputs. The device updates the LOD1-LSD1 registers at the 9th GCLK rising edge. The device updates the LOD2-LSD2 registers at the Nth GCLK rising edge. N is the maximum GCLK number in a PWM period minus 1, see [表 4](#).

To detect all kinds of LED faults, the output channel should turn ON at the 9th GCLK rising edge, and turn OFF at the Nth GCLK rising edge.

The device integrates an internal pullup circuit for LED diagnostics, shown in [图 23](#). The circuit turns off during the channel on-state, but turns on to charge the output pin during the channel-off state. For an LED-short fault, both LSD1 and LSD2 are 1. For an LED-open fault, both LOD1 and LSD2 are 1. For an output short-to-GND fault, both LOD1 and LOD2 are 1. [表 5](#) shows the details.

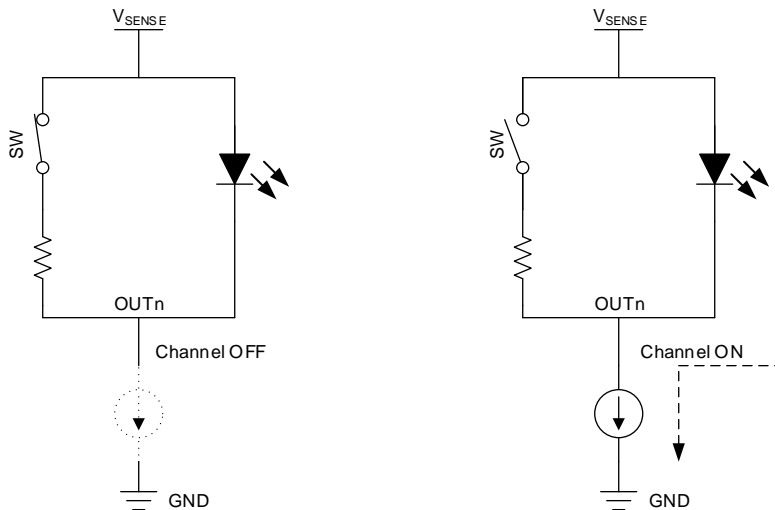


图 23. Internal Pullup Circuit

表 4. LOD-LSD Register Latch Timing

GS COUNTER MODE	LOD1-LSD1	LOD2-LSD2
12-bit	9th GCLK rising edge	4095th GCLK rising edge
10-bit	9th GCLK rising edge	1023rd GCLK rising edge
8-bit	9th GCLK rising edge	255th GCLK rising edge

表 5. LED Status Lookup Table

LED STATUS	LOD-LSD RESULT			
	LOD1-LSD1 Updated at 9 <sup>th</sup> GCLK		LOD2-LSD2 Updated at N <sup>th</sup> GCLK <sup>(1)</sup>	
LED Ok	LOD1	0	LOD2	0
	LSD1	0	LSD2	1
LED open	LOD1	1	LOD2	0
	LSD1	0	LSD2	1
LED short	LOD1	0	LOD2	0
	LSD1	1	LSD2	1
Output short-to-GND	LOD1	1	LOD2	1
	LSD1	0	LSD2	0

(1) N = 4095 for 12-bit GS mode, 1023 for 10-bit GS mode, 255 for 8-bit GS mode.

In some cases, users may need to turn off output channels before the 9th GCLK to disable the output channels, or turn on the output channels at the Nth GCLK to get more brightness. LOD\_LSD faults are reported as shown in 表 6. Users can ignore the fault according to the GS register setting value.

**表 6. PWM Status Lookup Table**

PWM STATUS	LOD-LSD Result			
	LOD1-LSD1 UPDATED AT 9 <sup>th</sup> GCLK		LOD2-LSD2 UPDATED AT N <sup>th</sup> GCLK <sup>(1)</sup>	
PWM OK	LOD1	0	LOD2	0
	LSD1	0	LSD2	1
Channel off before 9 <sup>th</sup> GCLK	LOD1	0	LOD2	0
	LSD1	1	LSD2	1
Channel on at N <sup>th</sup> GCLK	LOD1	0	LOD2	0
	LSD1	0	LSD2	0

(1) N = 4095 for 12-bit GS mode, 1023 for 10-bit GS mode, 255 for 8-bit GS mode

The LOD\_LSD status is updated every PWM cycle. [图 14](#) is an example of the LOD-LSD register update timing for the 12-bit GS mode.

### 7.3.4.2 Adjacent-Pin-Short Check

The device implements an APS check function to detect the adjacent-pin-short failure during system initialization. TI recommends to do an APS check when the channels are all off. The APS check can be executed by writing the APS check command.

If there is no adjacent-pin-short failure, the device passes the APS check and 011b is latched into the APS FLAG in the error status register. The 24-bit APS register is 0. If there are two adjacent pins shorted, 110b is latched into the APS\_FLAG in the error status register. The corresponding bit in the APS register is set to 1. Users can read out the 24-bit data from APS register to check if two channels have this short fault. [表 7](#) shows the details of the APS\_FLAG and APS register. [表 8](#) shows the bit arrangement of APS register. To read these APS information, see [Status Information Data Read](#) in the [Status Information Data Read](#) section.

**表 7. APS Flag and APS Register**

REGISTER	VALUE	DESCRIPTION
APS_FLAG	011b	Pass, no adjacent pins short
	110b	Fail, adjacent pins short
Bit in APS register (24-bit total)	0b	This OUT <sub>n</sub> pin is not shorted with other pins
	1b	This OUT <sub>n</sub> pin is shorted with other pins

**表 8. Bit Arrangement of APS register**

BITS OF APS REGISTERS	CORRESPONDING OUTPUTS
Bit 23	OUTB7
Bit 22	OUTB6
Bit 21	OUTB5
Bit 20	OUTB4
Bit 19	OUTB3
Bit 18	OUTB2
Bit 17	OUTB1
Bit 16	OUTB0
Bit 15	Pin 7
Bit 14	Pin 10
Bit 13	Pin 13
Bit 12	Pin 16
Bit 11	Pin 23
Bit 10	Pin 26
Bit 9	Pin 29
Bit 8	Pin 32
Bit 7	OUTR7
Bit 6	OUTR6
Bit 5	OUTR5
Bit 4	OUTR4
Bit 3	OUTR3
Bit 2	OUTR2
Bit 1	OUTR1
Bit 0	OUTR0

The APS\_FLAG and APS registers are all 0 by default. After an APS check command, the APS\_FLAG should be 011b or 110b. Otherwise, there is a failure on the APS check circuit. If the APS check result fails, the ERR pin is pulled low, the APS\_FLAG value is 110b and the ERR pin status stays unchanged until the fault is removed and the user executes an ERROR clear command. [图 5](#) and [图 4](#) show more detail.

As different LEDs have different parasitic capacitance, to make sure the APS Check function is suitable for all kinds of LEDs, the device provides two configuration bits for APS current and APS time. The APS current is selected by APS\_CURRENT as [表 9](#). The APS time is selected by APS\_TIME as shown in [表 10](#).

**表 9. APS Current Selection**

APS_CURRENT BIT	APS CURRENT
0b	20 $\mu$ A
1b	40 $\mu$ A

**表 10. APS Time Selection**

APS_TIME BIT	ADJACENT-PIN SHORT-DETECTION TIME
0b	10 $\mu$ s
1b	20 $\mu$ s

### 7.3.4.3 IREF-Short and IREF-Open Detection

To protect the device from reference resistor short and open faults, the device integrates IREF short and open protection. In an IREF short or open fault condition, the device reports the fault and sets the output current to a default value to help improve the system safety.

By default, the ISF and IOF flags are 0. When the IREF current exceeds the fault detection threshold, the ERR pin is pulled down, the ISF or IOF flag is set to 1, and the error flag and ERR pin status stay unchanged until the fault is removed and there is an ERROR clear command.

Once there is an ISF or IOF failure, the output current is set to a default value, and  $I_{(OUT)max}$  is 10 mA; see 表 11. Once the ISF or IOF failure is removed, the output current returns back to the set IREF value immediately.

**表 11. Criteria of ISF and IOF Judgement and Corresponding Actions**

$I_{REF}$	ISF	IOF	OUTPUT
$I_{REF} \leq 10 \mu A$	0	1	$I_{(OUT)max} = 10 \text{ mA}$
$10 \mu A < I_{REF} \leq 3 \text{ mA}$	0	0	$I_{(OUT)max} = V_{IREF} \times 40 / R_{IREF}$
$I_{REF} > 3 \text{ mA}$	1	0	$I_{(OUT)max} = 10 \text{ mA}$

#### 7.3.4.4 Pre-Thermal Warning Flag

The TLC6C5716-Q1 device implements a pre-thermal warning (PTW) function. Once the junction temperature exceeds the PTW threshold, the ERR pin is pulled low, the PTW flag in the error status register is set to 1, and the PTW\_FLAG and ERR pin status stay unchanged until the junction temperature drops below  $T_{PTW} - T_{HYS\_PTW}$  and there is an ERROR clear command.

#### 7.3.4.5 Thermal Error Flag

The TLC6C5716-Q1 device monitors the junction temperature all the time. Once the junction temperature exceeds the thermal shutdown threshold, all of the constant-current outputs turn off, the ERR pin is pulled low, and the thermal error flag and ERR pin status are set to 1 and stay unchanged until the fault is removed and there is an ERROR clear command. During this state, all the digital functions work normally, and users can read or write data through the common shift registers. After the junction temperature drops below  $T_{TEF} - T_{HYS\_TEF}$ , the device goes back to normal operation again. Users can reset the TEF flag by sending an ERROR clear command.

#### 7.3.4.6 Negate-Bit Toggle

TLC6C5716-Q1 implements a negate-bit toggle function to check the LOD-LSD registers and GCLK signal, which is useful for safety-related applications.

There are NEG1 and NEG2 bits in the registers, and their values are both 0 by default. After executing the negate-bit toggle command, both NEG1 and NEG2 change to 1. The LOD-LSD results are reversed in this condition. If the LOD-LSD registers get stuck, the LOD-LSD results are not be toggled, which means there is a fault in the LOD-LSD registers.

The LOD1-LSD1 registers only update on the 9th GCLK rising edge, and the LOD2-LSD2 registers only update on the Nth GCLK rising edge. So after a negate-bit toggle command, users must wait for at least one GS counter cycle (4096 GCLKs for the 12-bit GS counter mode, 1024 GCLKs for the 10-bit GS counter mode, and 256 GCLKs for the 8-bit GS counter mode) before reading the SID registers. So if the GCLK signal is lost, the loss can also be detected by the negate-bit toggle function.

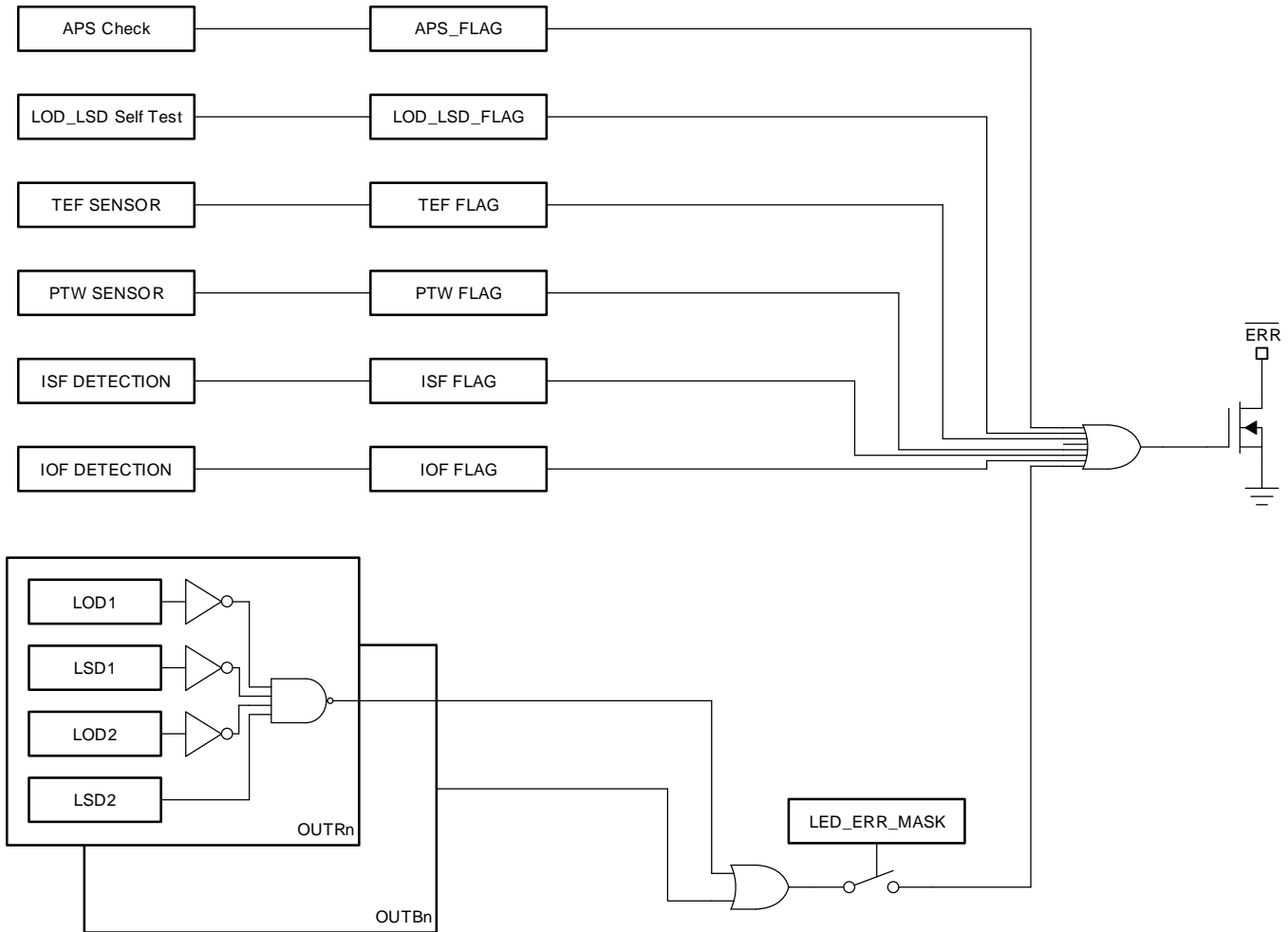
#### 7.3.4.7 LOD\_LSD Self-Test

The TLC6C5716-Q1 device implements an LOD\_LSD self-test function to check the LOD\_LSD detection circuit to help improve the system reliability. If the LOD\_LSD detection circuit fails to detect the LED failure, the LOD\_LSD self-test function can identify and report the malfunction.

The LOD\_LSD self-test function can be executed by sending the LOD\_LSD self-test command. The LOD\_LSD\_FLAG is 000b by default. After the LOD\_LSD self-test command, if there is no fault on the LOD\_LSD detection circuit, the LOD\_LSD\_FLAG value is 011b. If there are failures on LOD\_LSD detection circuits, the LOD\_LSD\_FLAG value is 110b, the ERR pin is pulled low, and the bit values stay unchanged until the fault is removed and an ERROR clear command is executed. If the LOD\_LSD\_FLAG is neither 011b nor 110b, there should be something wrong in the self-test procedure.

### 7.3.4.8 $\overline{ERR}$ Pin

The TLC6C5716-Q1 device supports an active-low open-drain error output. [Figure 24](#) shows the error pulldown block diagram. Ten bits of error status information control the error pulldown circuit directly. But an LED failure can be masked by the LED\_ERR\_MASK bit. The LED\_ERR\_MASK default value is 1, and the LED failure is masked from the error pulldown circuit. Even if there is an LED failure, the ERR pin is not pulled down by this LED failure. If the LED\_ERR\_MASK is 0, the ERR pin is pulled down by the LED failure to indicate an error scenario. Users can use an MCU interrupt to read out the fault information.



**Figure 24.  $\overline{ERR}$  Pin Pulldown Scheme**

### 7.3.4.9 ERROR Clear

This command is used to clear the error flags in the error status register and APS register. The A53h 12-bit command code initiates an ERROR clear command. After executing an ERROR clear command, the 96-bit LOD\_LSD registers, 1-bit NEG1, 1-bit NEG2, 10-bit error status, and 24-bit adjacent-pin-short results are loaded into the common shift register, and the error status registers and APS registers are reset to 0 if the error is removed. See [Figure 9](#) for more detail.

### 7.3.4.10 Global Reset

This command is used to implement a power-on reset with software input. The A5Ch 12-bit command code initiates a global reset command. After executing a global reset command, all internal registers are reset to their default values. See [Figure 10](#) for more detail.

#### 7.3.4.11 Slew Rate Control

To improve system EMI performance, the TLC6C5716-Q1 device implements a programmable slew rate control for the output channels. This output slew rate is configured by the SLEW\_RATE bit in the FC-BC-DC register. The SLEW\_RATE bit is 0 by default, with output rise and fall times of 200 ns. When the SLEW\_RATE bit is 1, the rise and fall times of each output are 100 ns.

#### 7.3.4.12 Channel Group Delay

Large surge currents may flow through the system if all 24 channels turn on simultaneously. These large current surges could induce detrimental noise and electromagnetic interference (EMI) into other circuits. The TLC6C5716-Q1 device implements channel turnon delay for each group to reduce the surge current. The output channels are grouped into four groups.

Group 1: OUTR0, -B0, OUTR4, -B4.

Group 2: OUTR1, -B1, OUTR5, -B5.

Group 3: OUTR2, -B2, OUTR6, -B6.

Group 4: OUTR3, -B3, OUTR7, -B7.

All group 2 channels turn on and off 50 ns later than group 1 channels, all group 3 channels turn on and off 50 ns later than group 2 channels, and all group 4 channels turn on and off 50 ns later than group 3 channels. [✕ 1](#) shows the details.

### 7.4 Device Functional Modes

#### 7.4.1 Power Up

To make the device work normally, users must provide two power supplies to the TLC6C5716-Q1 device. One is  $V_{CC}$ , 3 V–5.5 V, for device internal logic power; the other is a supply up to 8 V, which is the power supply for the LED loads. To make sure the LED diagnostic features work normally, the LED supply must connect to the SENSE pin directly.

#### 7.4.2 Device Initialization

After device power on, users must send the error clear command and global reset command to initialize the device and make sure there are no existing faults in the circuit.

#### 7.4.3 Fault Mode

The TLC6C5716-Q1 has full diagnostics features. The device can detect faults and latch the faults into registers. For device faults such as IREF resistor open or short, the device enters a self-protection state, in which it reports the faults and sets the output current to a default value. For the overtemperature fault, the device turns off the output channels and latches the fault into the SID register. Except for these two faults, for all other faults including LED faults, the device only detects and reports the faults, but does not take actions to handle the faults, and the channels keep their configured status. Users must read out faults and decide how to handle the faults.

#### 7.4.4 Normal Operation

Users must program the device through the serial interface for normal operation. Users write to the FC-BC-DC registers to set the operation mode and output current, write to the grayscale registers to set the PWM duty cycle for each channel, and read the SID registers to get device fault information.

### 7.5 Programming

#### 7.5.1 Register Write and Read

The TLC6C5716-Q1 device is programmable via serial interface. It contains a 288-bit common shift register to shift data from SDI into the device. The register LSB connects to SDI and the MSB connects to SDO. On each SCK rising edge, the data on SDI shifts into the register LSB and all 288-bit data shifts towards the MSB. The data appears on SDO when the 288-bit common shift register overflows.

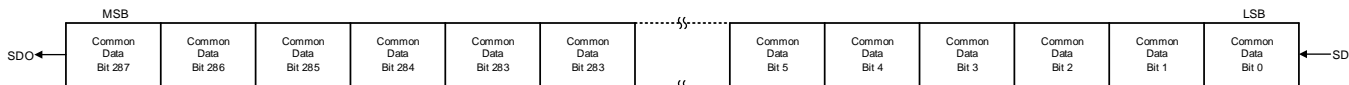
The TLC6C5716-Q1 data write command contains 288-bit data. According to the following different criteria, there are three types of data write commands: FC-BC-DC write, GS data write, and special commands.



**Programming (continued)**

- When LATCH is high at the 288th SCK rising edge, and the 12 MSBs of the 288-bit data are 0, the 205 LSBs of the 288-bit data shift to the function control (FC), brightness control (BC), and dot correction (DC) registers on the LATCH rising edge, as shown in [Figure 2](#).
- When LATCH is low at the 288th SCK rising edge, all 288-bit data shifts into the grayscale (GS) configuration registers on the LATCH rising edge, as shown in [Figure 1](#).
- When LATCH is high at the 288th SCK rising edge, and the 12 MSBs of the 288-bit data match any of the eight 12-bit command codes, the device executes the corresponding command after the LATCH rising edge, as shown in [Special Command Function](#).

When the device powers on, the default value of the 288-bit common shift register is 0.

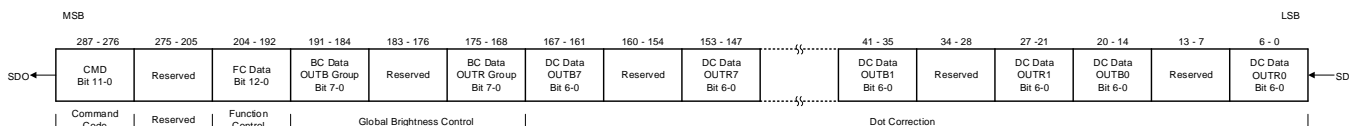


**Figure 25. TLC6C5716-Q1 Common Register**

**7.5.1.1 FC-BC-DC Write**

The device latches the 205 LSBs of data in the 288-bit common shift register into the FC-BC-DC registers at the rising edge of the latch signal when the 12 MSBs of the 288-bit data are 0.

When the device is powered on, the FC-BC-DC data latch is reset to all 0s. Therefore, data must be written to the 288-bit common shift register and latched into the FC-BC-DC registers before turning on the constant-current outputs. It is better to keep BLANK low to prevent the outputs from turning on.



**Figure 26. FC-BC-DC Register**

**7.5.1.1.1 FC Data Write**

The FC data is 13 bits in length, located from bit 204 to bit 192. See [Table 12](#) for the detailed description. The default value for all FC data is 0, except for the LED\_ERR\_MASK bit which is 1.

**Table 12. Function-Control Data-Bit Assignment**

BIT	NAME	DESCRIPTION
204	LED_ERR_MASK	LOD-LSD failure or PWM error information mask bit 0b = Any LOD-LSD failure or PWM error pulls down the ERR pin 1b = LOD-LSD failure or PWM error is masked from affecting the ERR pin
203	SLEW_RATE	Turnon and turnoff speed configuration bit 0b = 200-ns rise and fall times. 1b = 100-ns rise and fall times.
202	LOD_VOLATGE	LED open-detection (LOD) threshold 0b = LOD threshold is 0.3 V 1b = LOD threshold is 0.5 V
201	LSD_VOLTAGE	LED short-detection (LSD) threshold 0b = LSD threshold is $V_{SENSE} - 0.3 V$ 1b = LSD threshold is $V_{SENSE} - 0.7 V$
200	APS_CURRENT	Adjacent-pin short-detection sink current 0b = 20- $\mu A$ APS current 1b = 40- $\mu A$ APS current
199	APS_TIME	Adjacent-pin short-detection time 0b = 10- $\mu s$ APS detection time 1b = 20- $\mu s$ APS detection time

**Programming (continued)**
**表 12. Function-Control Data-Bit Assignment (continued)**

BIT	NAME	DESCRIPTION
198–197	GS_MODE	Grayscale-counter mode selection. 00 or 01b = 12-bit mode 10b = 10-bit mode 11b = 8-bit mode
196	TIMING_RESET	Display-timing reset mode 0b = Disabled 1b = Enabled
195	AUTO_REPEAT	Auto-display repeat mode 0b = Disabled 1b = Enabled
194	DC_RANGE_B	Dot-correction adjustment range for the BLUE color output 0b = Low range, 0%–66.7% 1b = High range, 33.3%–100%
193	Reserved	Reserved
192	DC_RANGE_R	Dot-correction adjustment range for the RED color output 0b = Low range, 0%–66.7% 1b = High range, 33.3%–100%

The grayscale counter has 12-bit, 10-bit, and 8-bit configurations. Bits 198–197 in the FC register configure the grayscale counter mode.

**表 13. GS Counter Mode Table**

GRAYSCALE COUNTER MODE (GS_MODE)		FUNCTION MODE
Bit 198	Bit 197	
0	Don't care	12-bit counter mode
1	0	10-bit counter mode, the lowest 10 bits of the 12-bit GS data are valid
1	1	8-bit counter mode, the lowest 8 bits of the 12-bit GS data are valid

**7.5.1.1.2 BC Data Write**

The BC data is 24 bits in length, located from bit 191 to bit 168. The data of the BC data latch are used to adjust the constant-current values for eight channels of constant-current drivers for each color group. The current can be adjusted by a brightness control with 8-bit resolution from 0% to 100% of maximum for each output.

**表 14. Brightness-Control Data-Bit Assignments**

BITS	BRIGHTNESS CONTROL DATA
191–184	OUTB0–OUTB7 group
183–176	Reserved
175–168	OUTR0–OUTR7 group

**7.5.1.1.3 DC Data Write**

The DC data is 168 bits in length, which located from bit 167 to bit 0. The TLC6C5716-Q1 device can adjust the output current of each channel using the DC function. Each DC function has two adjustment ranges with 7-bit resolution. 表 15 shows the DC data assignments in the DC registers. The high adjustment range DC can adjust output current from 33.3% to 100% of  $I_{(OUT)max}$ . The low adjustment range DC can configure output current from 0% to 66.7% of  $I_{(OUT)max}$ . The range control bits, which are bits 194–192 in the function control data latch, select the high or low adjustment. Bit 194 controls the OUTB DC range. Bit 192 controls the OUTR DC range. For details, see 表 12.

**表 15. DC Data Assignments**

BITS	DATA	BITS	DATA
167–161	OUTB7	83–77	OUTB3
160–154	Reserved	76–70	Reserved
153–147	OUTR7	69–63	OUTR3
146–140	OUTB6	62–56	OUTB2
139–133	Reserved	55–49	Reserved
132–126	OUTR6	48–42	OUTR2
125–119	OUTB5	41–35	OUTB1
118–112	Reserved	34–28	Reserved
111–105	OUTR5	27–21	OUTR1
104–98	OUTB4	20–14	OUTB0
97–91	Reserved	13–7	Reserved
90–84	OUTR4	6–0	OUTR0

**表 16. Output Current vs High DC Range**

DC DATA (BINARY)	DC DATA (DECIMAL)	DC DATA (HEX)	BC DATA (HEX)	CURRENT RATIO (%)	CURRENT ( $I_{(OUT)max} = 40 \text{ mA}$ )	CURRENT ( $I_{(OUT)max} = 2 \text{ mA}$ )
000 0000	0	00	FF	33.3	13.33	0.67
000 0001	1	01	FF	33.9	13.54	0.68
000 0010	2	02	FF	34.4	13.75	0.69
...	...	...	...	...	...	...
111 1101	125	7D	FF	99	39.58	1.98
111 1110	126	7E	FF	99.5	39.79	1.99
111 1111	127	7F	FF	100	40	2

**表 17. Output Current vs Low DC Range**

DC DATA (BINARY)	DC DATA (DECIMAL)	DC DATA (HEX)	BC DATA (HEX)	CURRENT RATIO (%)	CURRENT ( $I_{(OUT)max} = 40 \text{ mA}$ )	CURRENT ( $I_{(OUT)max} = 2 \text{ mA}$ )
000 0000	0	00	FF	0	0.	0
000 0001	1	01	FF	0.5	0.21	0.01
000 0010	2	02	FF	1	0.42	0.02
...	...	...	...	...	...	...
111 1101	125	7D	FF	65.6	26.25	1.31
111 1110	126	7E	FF	66.1	26.46	1.32
111 1111	127	7F	FF	66.7	26.67	1.33

**表 18. Output Current vs BC (High DC Range)**

BC DATA (BINARY)	BC DATA (DECIMAL)	BC DATA (HEX)	BC DATA (HEX)	CURRENT RATIO (%)	CURRENT ( $I_{(OUT)max} = 40 \text{ mA}$ )	CURRENT ( $I_{(OUT)max} = 2 \text{ mA}$ )
0000 0000	0	00	7F	0	0	0
0000 0001	1	01	7F	0.4	0.16	0.01
0000 0010	2	02	7F	0.8	0.32	0.02
...	...	...	...	...	...	...
1111 1101	253	FD	7F	99.2	39.69	1.98
1111 1110	254	FE	7F	99.6	39.84	1.99
1111 1111	255	FF	7F	100	40	2

### 7.5.1.2 Grayscale Data Write

The grayscale data is 288 bits long, and contains a 12-bit grayscale value for each output. The grayscale value sets the channel turnon time. 图 27 shows the GS register configuration. 图 1 is the GS write timing diagram. Data is latched from the 288-bit common shift register into the GS data latch at the rising edge of the LATCH pin. When data is latched into the GS registers, the new data is immediately available on the constant-current outputs. If the data is latched with BLANK high, the outputs may turn on or off unexpectedly. So users should update the GS data when BLANK is low.

The 12-bit GS function has 4096 brightness steps, from 0% to 99.97% brightness. The GS function is controlled by a 12-bit GS counter. The GS counter increments on each rising edge of the grayscale reference clock GCLK. The falling edge of BLANK resets the GS counter value to 0. The GS counter value stays at 0 while BLANK is low, even if there is a GCLK input. Pulling BLANK high enables the 12-bit GS counter. The first rising edge of a GS clock after BLANK goes high increments the GS counter by one and turns on the outputs. Each additional rising edge increases the GS counter by one. The GS counter monitors the number of clock pulses on the GCLK pin. The output stays on while the counter value is less than or equal to the GS setting value. The output turns off at the rising edge of the GS counter value when the counter is larger than the GS setting value. 表 20 is the on-time duty cycle of each GS data bit when the 12-bit GS counter mode is selected.

When the device is powered up, the 288-bit common shift register and GS data latch are reset to 0.

式 4 describes each output on-time.

$$t_{ON} = t_{GCLK} \times GS$$

where

- $t_{GCLK}$  is the GS clock period
- GS is the programmed grayscale value for each output.

(4)

式 5 shows the duty-cycle calculation equation.

$$\text{Duty cycle} = \frac{GS}{4096}$$

(5)

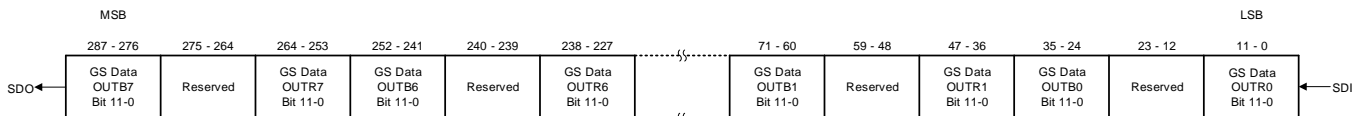


图 27. TLC6C5716-Q1 Grayscale Register

Once the GS data is latched into the GS registers at the rising edge of the LATCH signal, the FC-BC-DC data latch shifts into the lowest 205 bits of the common shift register. So, the FC-BC-DC data can be read out from SDO in GS write. This FC-BC-DC read function can also be realized by the read FC-BC-DC command, see [FC-BC-DC Read](#) and 图 8 for the timing diagram.

表 19. Grayscale Data Bit Assignments

BITS	DATA	BITS	DATA
287–276	OUTB7	143–132	OUTB3
275–264	Reserved	131–120	Reserved
263–252	OUTR7	119–108	OUTR3
251–240	OUTB6	107–96	OUTB2
239–228	Reserved	95–84	Reserved
227–216	OUTR6	83–72	OUTR2
215–204	OUTB5	71–60	OUTB1
203–192	Reserved	59–48	Reserved
191–180	OUTR5	47–36	OUTR1
179–168	OUTB4	35–24	OUTB0
167–156	Reserved	35–24	Reserved
155–144	OUTR4	11–0	OUTR0

**表 20. GS Data vs Output On Time**

GS DATA (BINARY)	GS DATA (DECIMAL)	GS DATA (HEX)	DUTY CYCLE (%)	ON-TIME BASED ON 33-MHz GS CLOCK (ns)
0000 0000 0000	0	000	0	0
0000 0000 0001	1	001	0.02	30
0000 0000 0010	2	002	0.05	61
...	...	...	...	...
0111 1111 1111	2047	7FF	49.97	62 030
1000 0000 0000	2048	800	50.00	62 061
1000 0000 0001	2049	801	50.02	62 091
...	...	...	...	...
1111 1111 1101	4093	FFD	99.93	124 030
1111 1111 1110	4094	FFE	99.95	124 061
1111 1111 1111	4095	FFF	99.98	124 091

### 7.5.1.3 Special Command Function

There are eight special command codes defined in the TLC6C5716-Q1 device, shown in 表 21. To input the command, the level of LATCH at the last SCK before the LATCH rising edge must be high, and the highest 12 bits should be one of the below 8 command codes. In this condition, the device ignores other bits and no data are latched into FC-BC-DC registers. Normally users can write other bits to 0 in the special command. The corresponding command function executes after the rising edge of LATCH signal.

If no special command code is identified, the command is a NULL command and no special command is executed. The command is the same as the FC-BC-DC write function.

**表 21. Special Command Codes**

COMMAND	COMMAND CODE	FUNCTION
GS read	5AFh (0101 1010 1111b)	Load GS data into common register.
SID read	5A3h (0101 1010 0011b)	Load SID data into common register.
FC-BC-DC read	5ACh (0101 1010 1100b)	Load FC-BC-DC data into common register. This reading function can also be achieved by GS data write.
APS check	53Ah (0101 0011 1010b)	Adjacent pin short detection, APS test starts at the rising edge of Latch signal, then set APS register(24bits) and APS_Flag in SID register according to the test result. Keep all channels off during this test.
LOD_LSD self-test	535h (0101 0011 0101b)	LOD-LSD detector circuit self test and set LOD_LSD_FLAG in SID register according to the test result.
Negate bit toggle	55Ah (0101 0101 1010b)	Toggle Negate Bit. When Negate Bit = 0, the 48 bits LOD-LSD detector output data will be latched into LOD1-LSD1 and LOD2-LSD2 register without invert. When Negate Bit =1, the 48 bits LOD-LSD detector output data will invert, and latch into LOD1-LSD1 and LOD2-LSD2 register.
ERROR clear	A53h (1010 0101 0011b)	Load SID data into common register, and then reset the Error status register and APS register to 0.
GLOBAL reset	A5Ch (1010 0101 1100b)	All internal registers are reset. The command has the same function as power on reset.
NULL	Different from any of the above commands	The same function as FC-BC-DC write.

#### 7.5.1.3.1 GS Read

The GS read command loads the 288-bit GS data into the common register. By applying 288 SCK clocks, the GS data shifts out from SDO pin. For details, see 图 3.

#### 7.5.1.3.2 FC-BC-DC Read

There are two ways to read the FC-BC-DC data latch.

One way is latching data into the GS data latch. After the GS write finishes, the FC-BC-DC data latches into the lowest 205 bits of the common shift register.

Another way is using the FC-BC-DC read command. After the FC-BC-DC read command finishes, the FC-BC-DC data latches into the lowest 205 bits of the common shift register.

By applying 288 SCK clocks, the FC-BC-DC data shifts out from the SDO pin. For details, see [Figure 8](#)

### 7.5.1.3.3 Status Information Data Read

Status information data (SID) is 132 bits long and contains device status information and LED fault information. [Table 22](#) describes the bit mapping when the SID data loads into the common shift register.

Bits 287–240 are the LED-open information for the output channels, bits 203–144 are the LED-short information for the output channels, bits 239–216 are the adjacent-pin-short information for the output channels, bits 215–206 are the error status registers, bits 205–204 are the negate bits, and the others are reserved registers.

After power on, all error status registers are set to 0. If any one of the error-status-register flags (bits 215-206) asserts, the registers latch the faults until a reset error command is executed to clear the faults. But the LOD\_LSD data continues to update every PWM cycle.

**表 22. SID Register**

BITS OF COMMON SHIFT REGISTER	DESCRIPTION
287–280	LOD2 data for OUTB7–OUTB0
279–272	Reserved
271–264	LOD2 data for OUTR7–OUTR0
263–256	LOD1 data for OUTB7–OUTB0
255–248	Reserved
247–240	LOD1 data for OUTR7–OUTR0
239–232	APS data for OUTB7–OUTB0
231–224	APS data for NU pins [pin 7, pin 10, pin 13, pin 16, pin 23, pin 26, pin 29, pin 32]
223–216	APS data for OUTR7–OUTR0
215	Thermal error flag (TEF). 0b = Normal temperature condition, 1b = High-temperature condition.
214	Pre-thermal warning (PTW). 0b = No pre-thermal warning, 1b = Pre-thermal threshold triggered.
213–211	Adjacent-pin short-check result (APS_FLAG). 011b: pass, 110b: fail.
210	IREF-resistor short flag (ISF). 0b = IREF resistor is not shorted, 1b = IREF resistor short detected.
209	IREF-resistor open flag (IOF). 0b = IREF Resistor is not open, 1b = IREF resistor open detected.
208–206	LOD-LSD detection circuit self-test result (LOD_LSD_FLAG). 011b: pass, 110b: fail.
205	Negate bit for LOD1-LSD1 register (NEG1)
204	Negate bit for LOD2-LSD2 register (NEG2)
203–192	Reserved
191–184	LSD2 data for OUTB7–OUTB0
183–176	Reserved
175–168	LSD2 data for OUTR7–OUTR0
167–160	LSD1 data for OUTB7–OUTB0
159–152	Reserved
151–144	LSD1 data for OUTR7–OUTR0
143–0	Reserved

## 7.6 Register Maps

The TLC6C5716-Q1 register map includes three sections: GS registers, FC\_BC\_DC registers, and SID registers. Users can write to the GS registers and FC\_BC\_DC registers through the serial interface. Status information can be read out through the serial interface.

## Register Maps (continued)

### 7.6.1 GRAYSCALE Registers

Table 23 lists the memory-mapped registers for the GRAYSCALE. All register offset addresses not listed in Table 23 should be considered as reserved locations and the register contents should not be modified.

Grayscale Register

**Table 23. GRAYSCALE Registers**

Offset	Acronym	Register Name	Section
0h	OUTn_GS	OUTn_GS Register	<a href="#">Go</a>

Complex bit access types are encoded to fit into small table cells. Table 24 shows the codes that are used for access types in this section.

**Table 24. GRAYSCALE Access Type Codes**

Access Type	Code	Description
<b>Read Type</b>		
R	R	Read
<b>Write Type</b>		
W	W	Write
<b>Reset or Default Value</b>		
-n		Value after reset or the default value

#### 7.6.1.1 OUTn\_GS Register (Offset = 0h)

OUTn\_GS is shown in Figure 28 and described in Table 25.

Return to [Summary Table](#).

OUTn Grayscale Register

**Figure 28. OUTn\_GS Register**

287	286	285	284	283	282	281	280	279	278	287	286
OUTB7_GS											
R/W-0h											
275	274	273	272	271	270	269	268	267	266	265	264
RESERVED											
R/W-0h											
263	262	261	260	259	258	257	256	255	254	253	252
OUTR7_GS											
R/W-0h											
251	250	249	248	247	246	245	244	243	242	241	240
OUTB6_GS											
R/W-0h											
239	238	237	236	235	234	233	232	231	230	229	228
RESERVED											
R/W-0h											
227	226	225	224	223	222	221	220	219	218	217	216
OUTR6_GS											
R/W-0h											
215	214	213	212	211	210	209	208	207	206	205	204
OUTB5_GS											
R/W-0h											

**TLC6C5716-Q1**

JAJSP3A – JULY 2018 – REVISED AUGUST 2018

[www.ti.com](http://www.ti.com)

203	202	201	200	199	198	197	196	195	194	193	192
RESERVED											
R/W-0h											
191	190	189	188	187	186	185	184	183	182	181	180
OUTR5_GS											
R/W-0h											
179	178	177	176	175	174	173	172	171	170	169	168
OUTB4_GS											
R/W-0h											
167	166	165	164	163	162	161	160	159	158	157	156
RESERVED											
R/W-0h											
155	154	153	152	151	150	149	148	147	146	145	144
OUTR4_GS											
R/W-0h											
143	142	141	140	139	138	137	136	135	134	133	132
OUTB3_GS											
R/W-0h											
131	130	129	128	127	126	125	124	123	122	121	120
RESERVED											
R/W-0h											
119	118	117	116	115	114	113	112	111	110	109	108
OUTR3_GS											
R/W-0h											
107	106	105	104	103	102	101	100	99	98	97	96
OUTB2_GS											
R/W-0h											
95	94	93	92	91	90	89	88	87	86	85	84
RESERVED											
R/W-0h											
83	82	81	80	79	78	77	76	75	74	73	72
OUTR2_GS											
R/W-0h											
71	70	69	68	67	66	65	64	63	62	61	60
OUTB1_GS											
R/W-0h											
59	58	57	56	55	54	53	52	51	50	49	48
RESERVED											
R/W-0h											
47	46	45	44	43	42	41	40	39	38	37	36
OUTR1_GS											
R/W-0h											
35	34	33	32	31	30	29	28	27	26	25	24
OUTB0_GS											
R/W-0h											
23	22	21	20	19	18	17	16	15	14	13	12
RESERVED											
R/W-0h											
11	10	9	8	7	6	5	4	3	2	1	0
OUTR0_GS											
R/W-0h											



**Table 25. OUTn\_GS Register Field Descriptions**

Bit	Field	Type	Default	Description
287–276	OUTB7_GS[11:0]	R/W	0h	Grayscale register for OUTB7
275–264	RESERVED	R/W	0h	Reserved
263–252	OUTR7_GS[11:0]	R/W	0h	Grayscale register for OUTR7
251–240	OUTB6_GS[11:0]	R/W	0h	Grayscale register for OUTB6
239–228	RESERVED	R/W	0h	Reserved
227–216	OUTR6_GS[11:0]	R/W	0h	Grayscale register for OUTR6
215–204	OUTB5_GS[11:0]	R/W	0h	Grayscale register for OUTB5
203–192	RESERVED	R/W	0h	Reserved
191–180	OUTR5_GS[11:0]	R/W	0h	Grayscale register for OUTR5
179–168	OUTB4_GS[11:0]	R/W	0h	Grayscale register for OUTB4
167–156	RESERVED	R/W	0h	Reserved
155–144	OUTR4_GS[11:0]	R/W	0h	Grayscale register for OUTR4
143–132	OUTB3_GS[11:0]	R/W	0h	Grayscale register for OUTB3
131–120	RESERVED	R/W	0h	Reserved
119–108	OUTR3_GS[11:0]	R/W	0h	Grayscale register for OUTR3
107–96	OUTB2_GS[11:0]	R/W	0h	Grayscale register for OUTB2
95–84	RESERVED	R/W	0h	Reserved
83–72	OUTR2_GS[11:0]	R/W	0h	Grayscale register for OUTR2
71–60	OUTB1_GS[11:0]	R/W	0h	Grayscale register for OUTB1
59–48	RESERVED	R/W	0h	Reserved
47–36	OUTR1_GS[11:0]	R/W	0h	Grayscale register for OUTR1
35–24	OUTB0_GS[11:0]	R/W	0h	Grayscale register for OUTB0
23–12	RESERVED	R/W	0h	Reserved
11–0	OUTR0_GS[11:0]	R/W	0h	Grayscale register for OUTR0

## 7.6.2 FC-BC-DC Registers

Table 26 lists the memory-mapped registers for the CONFIGURATION. All register offset addresses not listed in Table 26 should be considered as reserved locations and the register contents should not be modified.

Configuration Register

**Table 26. FC-BC-DC Registers**

Offset	Acronym	Register Name	Section
1h	Config	Configuration Register	<a href="#">Go</a>

Complex bit access types are encoded to fit into small table cells. Table 27 shows the codes that are used for access types in this section.

**Table 27. FC-BC-DC Access Type Codes**

Access Type	Code	Description
<b>Read Type</b>		
R	R	Read
<b>Write Type</b>		
W	W	Write
<b>Reset or Default Value</b>		
-n		Value after reset or the default value

**7.6.2.1 FC-BC-DC Register (Offset = 1h)**

FC-BC-DC is shown in [Figure 29](#) and described in [Table 28](#).

Return to [Summary Table](#).

FC-BC-DC Register

**Figure 29. FC-BC-DC Register**

287	286	285	284	283	282	281	280	279	278	277	276	275	274	273	272	
CMD											RESERVED					
R/W-0h											R/W-0h					
271	270	269	268	267	266	265	264	263	262	261	260	259	258	257	256	
RESERVED																
R/W-0h																
255	254	253	252	251	250	249	248	247	246	245	244	243	242	241	240	
RESERVED																
R/W-0h																
239	238	237	236	235	234	233	232	231	230	229	228	227	226	225	224	
RESERVED																
R/W-0h																
223	222	221	220	219	218	217	216	215	214	213	212	211	210	209	208	
RESERVED																
R/W-0h																
207	206	205	204	203	202	201	200	199	198	197	196	195	194	193	192	
RESERVED			LED_ERR_MASK	SLEW_RATE	LOD_VOLTAGE	LSD_VOLTAGE	APS_CURRENT	APS_TIME	GS_MODE			TIMING_RESET	AUTO_REPEAT	DC_RANGE_B	RESERVED	DC_RANGE_R
R/W-0h			R/W-1h	R/W-0h	R/W-0h	R/W-0h	R/W-0h	R/W-0h	R/W-0h			R/W-0h	R/W-0h	R/W-0h	R/W-0h	
191	190	189	188	187	186	185	184	183	182	181	180	179	178	177	176	
OUTB_BC								RESERVED								
R/W-0h								R/W-0h								
175	174	173	172	171	170	169	168	167	166	165	164	163	162	161	160	
OUTR_BC								OUTB7_DC							→	
R/W-0h								R/W-0h							→	
159	158	157	156	155	154	153	152	151	150	149	148	147	146	145	144	
← RESERVED						OUTR7_DC						OUTB6_DC				
← R/W-0h						R/W-0h						R/W-0h				
143	142	141	140	139	138	137	136	135	134	133	132	131	130	129	128	
OUTB6_DC				RESERVED								OUTR6_DC				
R/W-0h				R/W-0h								R/W-0h				

127	126	125	124	123	122	121	120	119	118	117	116	115	114	113	112	
OUTR6_DC		OUTB5_DC							RESERVED							
R/W-0h		R/W-0h							R/W-0h							
111	110	109	108	107	106	105	104	103	102	101	100	99	98	97	96	
OUTR5_DC							OUTB4_DC							RESERVED		
R/W-0h							R/W-0h							R/W-0h		
95	94	93	92	91	90	89	88	87	86	85	84	83	82	81	80	
RESERVED					OUTR4_DC							OUTB3_DC				
R/W-0h					R/W-0h							R/W-0h				
79	78	77	76	75	74	73	72	71	70	69	68	67	66	65	64	
OUTB3_DC			RESERVED							OUTR3_DC						→
R/W-0h			R/W-0h							R/W-0h						→
63	62	61	60	59	58	57	56	55	54	53	52	51	50	49	48	
←	OUTB2_DC							RESERVED							→	
←	R/W-0h							R/W-0h							→	
47	46	45	44	43	42	41	40	39	38	37	36	35	34	33	32	
OUTR2_DC						OUTB1_DC							RESERVED			
R/W-0h						R/W-0h							R/W-0h			
31	30	29	28	27	26	25	24	23	22	21	20	19	18	17	16	
RESERVED				OUTR1_DC							OUTB0_DC					
R/W-0h				R/W-0h							R/W-0h					
15	14	13	12	11	10	9	8	7	6	5	4	3	2	1	0	
OUTB0_DC		RESERVED							OUTR0_DC							
R/W-0h		R/W-0h							R/W-0h							

**Table 28. FC-BC-DC Register Field Descriptions**

Bit	Field	Type	Default	Description
287–276	CMD[11:0]	R/W	0h	Command function 25Ch = Global reset 535h = LOD_LSD self-test 53Ah = APS check 55Ah = NEG-BIT toggle 5A3h = SID read 5ACh = FC_BC_DC read 5AFh = GS read A53h = ERROR clear All other values = NULL
275–205	RESERVED	R/W	0h	Reserved
204	LED_ERR_MASK	R/W	1h	LED error mask 0h = Unmask LED error 1h = Mask LED error
203	SLEW_RATE	R/W	0h	Output slew-rate 0h = 100 ns 1h = 200 ns
202	LOD_VOLTAGE	R/W	0h	LED-open detection voltage 0h = 0.3 V 1h = 0.5 V
201	LSD_VOLTAGE	R/W	0h	LED-short detection voltage 0h = $V_{VSENSE} - 0.3$ V 1h = $V_{VSENSE} - 0.7$ V

**Table 28. FC-BC-DC Register Field Descriptions (continued)**

Bit	Field	Type	Default	Description
200	APS_CURRENT	R/W	0h	Adjacent-pin short-detection sink current 0h = 20 $\mu$ A 1h = 40 $\mu$ A
199	APS_TIME	R/W	0h	Adjacent-pin short-detection time 0h = 10 $\mu$ s 1h = 20 $\mu$ s
198–197	GS_MODE[1:0]	R/W	0h	Grayscale counter mode 0h or 1h = 12-bit counter mode 2h = 10-bit counter mode 3h = 8-bit counter mode
196	TIMING_RESET	R/W	0h	Display timing reset 0h = Disabled 1h = Enabled
195	AUTO_REPEAT	R/W	0h	Auto repeat 0h = Disabled 1h = Enabled
194	DC_RANGE_B	R/W	0h	Dot correction range for OUTB group 0h = Low range 1h = High range
193	RESERVED	R/W	0h	Reserved
192	DC_RANGE_R	R/W	0h	Dot correction range for OUTR group 0h = Low range 1h = High range
191–184	OUTB_BC[7:0]	R/W	0h	Brightness control for OUTB group
183–176	RESERVED	R/W	0h	Reserved
175–168	OUTR_BC[7:0]	R/W	0h	Brightness control for OUTR group
167–161	OUTB7_DC[6:0]	R/W	0h	Dot correction for OUTB7
160–154	RESERVED	R/W	0h	Reserved
153–147	OUTR7_DC[6:0]	R/W	0h	Dot correction for OUTR7
146–140	OUTB6_DC[6:0]	R/W	0h	Dot correction for OUTB6
139–133	RESERVED	R/W	0h	Reserved
132–126	OUTR6_DC[6:0]	R/W	0h	Dot correction for OUTR6
125–119	OUTB5_DC[6:0]	R/W	0h	Dot correction for OUTB5
118–112	RESERVED	R/W	0h	Reserved
111–105	OUTR5_DC[6:0]	R/W	0h	Dot correction for OUTR5
104–98	OUTB4_DC[6:0]	R/W	0h	Dot correction for OUTB4
97–91	RESERVED	R/W	0h	Reserved
90–84	OUTR4_DC[6:0]	R/W	0h	Dot correction for OUTR4
83–77	OUTB3_DC[6:0]	R/W	0h	Dot correction for OUTB3
76–70	RESERVED	R/W	0h	Reserved
69–63	OUTR3_DC[6:0]	R/W	0h	Dot correction for OUTR3
62–56	OUTB2_DC[6:0]	R/W	0h	Dot correction for OUTB2

**Table 28. FC-BC-DC Register Field Descriptions (continued)**

Bit	Field	Type	Default	Description
55–49	RESERVED	R/W	0h	Reserved
48–42	OUTR2_DC[6:0]	R/W	0h	Dot correction for OUTR2
41–35	OUTB1_DC[6:0]	R/W	0h	Dot correction for OUTB1
34–28	RESERVED	R/W	0h	Reserved
27–21	OUTR1_DC[6:0]	R/W	0h	Dot correction for OUTR1
20–14	OUTB0_DC[6:0]	R/W	0h	Dot correction for OUTB0
13–7	RESERVED	R/W	0h	Reserved
6–0	OUTR0_DC[6:0]	R/W	0h	Dot correction for OUTR0

**7.6.3 SID Registers**

Table 29 lists the memory-mapped registers for the SID. All register offset addresses not listed in Table 29 should be considered as reserved locations and the register contents should not be modified.

SID Register

**Table 29. SID Registers**

Offset	Acronym	Register Name	Section
2h	SID	SID Register	<a href="#">Go</a>

Complex bit access types are encoded to fit into small table cells. Table 30 shows the codes that are used for access types in this section.

**Table 30. SID Access Type Codes**

Access Type	Code	Description
<b>Read Type</b>		
R	R	Read
<b>Reset or Default Value</b>		
-n		Value after reset or the default value

**7.6.3.1 SID Register (Offset = 2h)**

SID is shown in Figure 30 and described in Table 31.

Return to [Summary Table](#).

Status information data

**Figure 30. SID Register**

287	286	285	284	283	282	281	280	279	278	277	276	275	274	273	272
OUTB_LOD2								RESERVED							
R-0h								R-0h							
271	270	269	268	267	266	265	264	263	262	261	260	259	258	257	256
OUTR_LOD2								OUTB_LOD1							
R-0h								R-0h							
255	254	253	252	251	250	249	248	247	246	245	244	243	242	241	240
RESERVED								OUTR_LOD1							
R-0h								R-0h							
239	238	237	236	235	234	233	232	231	230	229	228	227	226	225	224
OUTB_APS								NU_PIN_APS							
R-0h								R-0h							

**TLC6C5716-Q1**

JAJSP3A – JULY 2018 – REVISED AUGUST 2018

[www.ti.com](http://www.ti.com)

223	222	221	220	219	218	217	216	215	214	213	212	211	210	209	208
OUTR_APS								TEF	PTW	APS_FLAG			ISF	IOF	→
R-0h								R-0h	R-0h	R-0h			R-0h	R-0h	→
207	206	205	204	203	202	201	200	199	198	197	196	195	194	193	192
←	LOD_LSD_FLAG	NEG1	NEG0	RESERVED											
←	R-0h	R-0h	R-0h	R-0h											
191	190	189	188	187	186	185	184	183	182	181	180	179	178	177	176
OUTB_LSD2								RESERVED							
R-0h								R-0h							
175	174	173	172	171	170	169	168	167	166	165	164	163	162	161	160
OUTR_LSD2								OUTB_LSD1							
R-0h								R-0h							
159	158	157	156	155	154	153	152	151	150	149	148	147	146	145	144
RESERVED								OUTR_LSD1							
R-0h								R-0h							
143	142	141	140	139	138	137	136	135	134	133	132	131	130	129	128
RESERVED															
R-0h															
127	126	125	124	123	122	121	120	119	118	117	116	115	114	113	112
RESERVED															
R-0h															
111	110	109	108	107	106	105	104	103	102	101	100	99	98	97	96
RESERVED															
R-0h															
95	94	93	92	91	90	89	88	87	86	85	84	83	82	81	80
RESERVED															
R-0h															
79	78	77	76	75	74	73	72	71	70	69	68	67	66	65	64
RESERVED															
R-0h															
63	62	61	60	59	58	57	56	55	54	53	52	51	50	49	48
RESERVED															
R-0h															
47	46	45	44	43	42	41	40	39	38	37	36	35	34	33	32
RESERVED															
R-0h															
31	30	29	28	27	26	25	24	23	22	21	20	19	18	17	16
RESERVED															
R-0h															
15	14	13	12	11	10	9	8	7	6	5	4	3	2	1	0
RESERVED															
R-0h															

**Table 31. SID Register Field Descriptions**

Bit	Field	Type	Default	Description
287–280	OUTB_LOD2[7:0]	R	0h	LOD2 for OUTB7–OUTB0. For each channel: 0h = No fault detected 1h = Fault detected
279–272	RESERVED	R	0h	Reserved

**Table 31. SID Register Field Descriptions (continued)**

Bit	Field	Type	Default	Description
271–264	OUTR_LOD2[7:0]	R	0h	LOD2 for OUTR7–OUTR0. For each channel: 0h = No fault detected 1h = Fault detected
263–256	OUTB_LOD1[7:0]	R	0h	LOD1 for OUTB7–OUTB0. For each channel: 0h = No fault detected 1h = Fault detected
255–248	RESERVED	R	0h	Reserved
247–240	OUTR_LOD1[7:0]	R	0h	LOD1 for OUTR7–OUTR0. For each channel: 0h = No fault detected 1h = Fault detected
239–232	OUTB_APS[7:0]	R	0h	APS status for OUTB7–OUTB0. For each channel: 0h = No fault detected 1h = Fault detected
231–224	NU_PIN_APS[7:0]	R	0h	APS status of not-used pins , NU_PIN_APS[7:0] = [pin7, pin10, pin13, pin16, pin23, pin26, pin29, pin32] 0h = No fault detected 1h = Fault detected
223–216	OUTR_APS[7:0]	R	0h	APS status for OUTR7–OUTR0. For each channel: 0h = No fault detected 1h = Fault detected
215	TEF	R	0h	Thermal error flag 0h = No fault detected 1h = Fault detected
214	PTW	R	0h	Pre-thermal warning flag 0h = No fault detected 1h = Fault detected
213–211	APS_FLAG[2:0]	R	0h	APS test flag fault 3h = APS test passes 6h = APS test fails
210	ISF	R	0h	ISF fault 0h = No fault detected 1h = Fault detected
209	IOF	R	0h	IOF fault 0h = No fault detected 1h = Fault detected
208– 206	LOD_LSD_FLAG[2:0]	R	0h	LOD_LSD self-test flag 3h = LOD_LSD self-test passes 6h = LOD_LSD self-test fails
205	NEG1	R	0h	Neg1 bit value
204	NEG0	R	0h	Neg0 bit value
203–192	RESERVED	R	0h	Reserved
191–184	OUTB_LSD2[7:0]	R	0h	LSD2 for OUTB7–OUTB0. For each channel: 0h = No fault detected 1h = Fault detected
183–176	RESERVED	R	0h	Reserved

**Table 31. SID Register Field Descriptions (continued)**

Bit	Field	Type	Default	Description
175–168	OUTR_LSD2[7:0]	R	0h	LSD2 for OUTR7–OUTR0. For each channel: 0h = No fault detected 1h = Fault detected
167–160	OUTB_LSD1[7:0]	R	0h	LSD1 for OUTB7–OUTB0. For each channel: 0h = No fault detected 1h = Fault detected
159–152	RESERVED	R	0h	Reserved
151–144	OUTR_LSD1[7:0]	R	0h	LSD1 for OUTR7–OUTR0. For each channel: 0h = No fault detected 1h = Fault detected
143–0	RESERVED	R	0h	Reserved



## 8 Application and Implementation

### 注

Information in the following applications sections is not part of the TI component specification, and TI does not warrant its accuracy or completeness. TI's customers are responsible for determining suitability of components for their purposes. Customers should validate and test their design implementation to confirm system functionality.

### 8.1 Application Information

Below is a typical application for an automotive local dimming application.

### 8.2 Typical Application

In automotive LCD display applications such as a solid-state cluster or center information display, LED backlighting is one of the key parts of the display. Today most LED backlighting is the traditional edge-lit type, which means the backlighting is globally dimmed. This method consumes much power and causes light leakage from the liquid crystals in the black areas, because the backlighting is always turned on. Recently, local-dimming backlighting, a direct-lit type of backlighting, has been proposed to overcome this drawback. The lighting level of the backlighting follows the display contents. The lighting level is dynamically adjusted by the content of the image blocks for local-dimming control. When an image block is bright, the lighting level of the backlighting turns high also. Conversely, the backlighting level is adjusted to low in a black region. This arrangement reduces power dissipation and light leakage from the LCD and creates pure black, increasing the image contrast ratio.

Users can use the TLC6C5716-Q1 device to drive LED backlighting in such local dimming applications. Depending how many zones are in the display, users can connect different numbers of TLC6C5716-Q1s in a daisy chain to drive the LEDs.

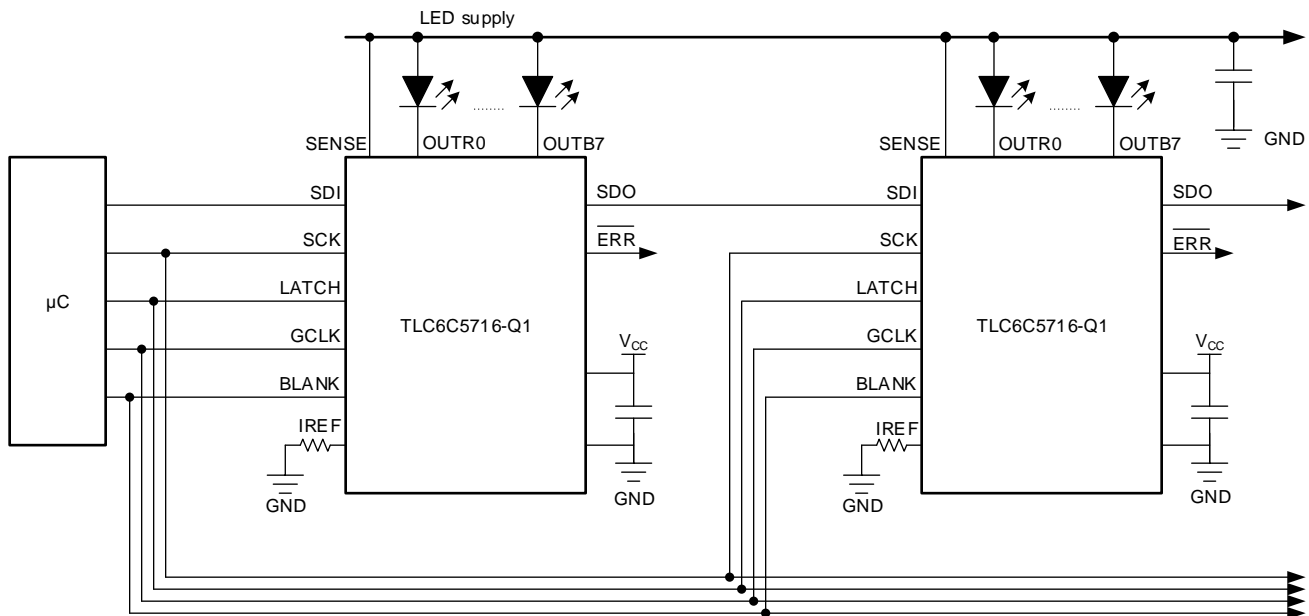


图 31. Typical Block Diagram for Local Dimming

## Typical Application (continued)

### 8.2.1 Design Requirements

表 32 shows the design requirements for the local dimming application.

表 32. Design Requirements

PARAMETER	VALUE
LCD size	12.3 inches
Zones	128
Number of LEDs per string	1
LED current	50 mA

### 8.2.2 Detailed Design Procedure

As the backlighting includes 128 zones, each TLC6C5716-Q1 device can drive 16 zones, so a total of eight TLC6C5716-Q1 units are needed.

According to [Maximum Constant-Sink-Current Setting](#), to realize 50-mA output current, users can choose a 0.96-kΩ reference resistor.

Users can use a daisy chain connection to control all of the eight TLC6C5716-Q1 devices through one serial interface, just as 图 31 shows. 图 32 shows how to send the data into cascaded devices, where M is the number of cascaded devices.

If more current is needed, users can parallel two outputs together to get more current.

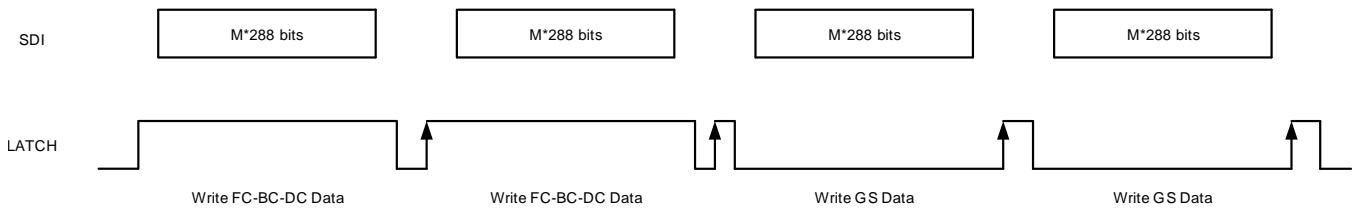


图 32. Cascading Data Write

### 8.2.3 Application Curves

Below are two test waveforms. 图 33 shows different PWM duty cycles for different output channels, which can realize a local dimming feature. 图 34 shows a data-write waveform typical for each write of M × 288 bits of data into the serial interface.

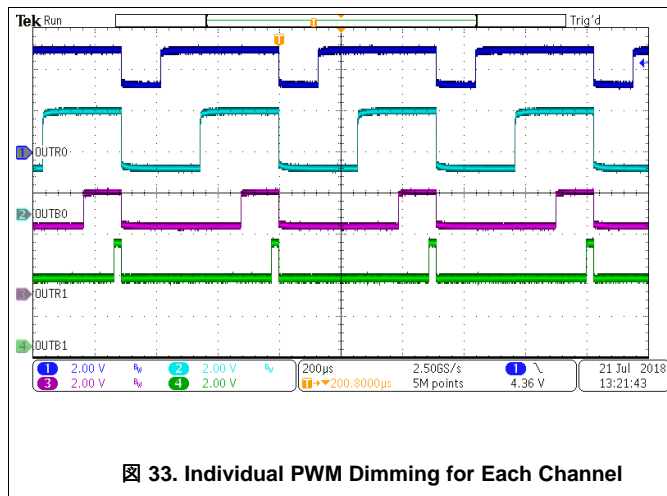


图 33. Individual PWM Dimming for Each Channel

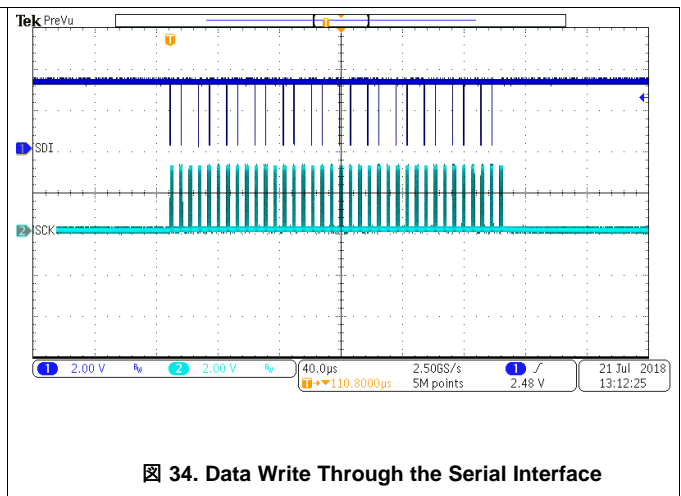


图 34. Data Write Through the Serial Interface

## 9 Power Supply Recommendations

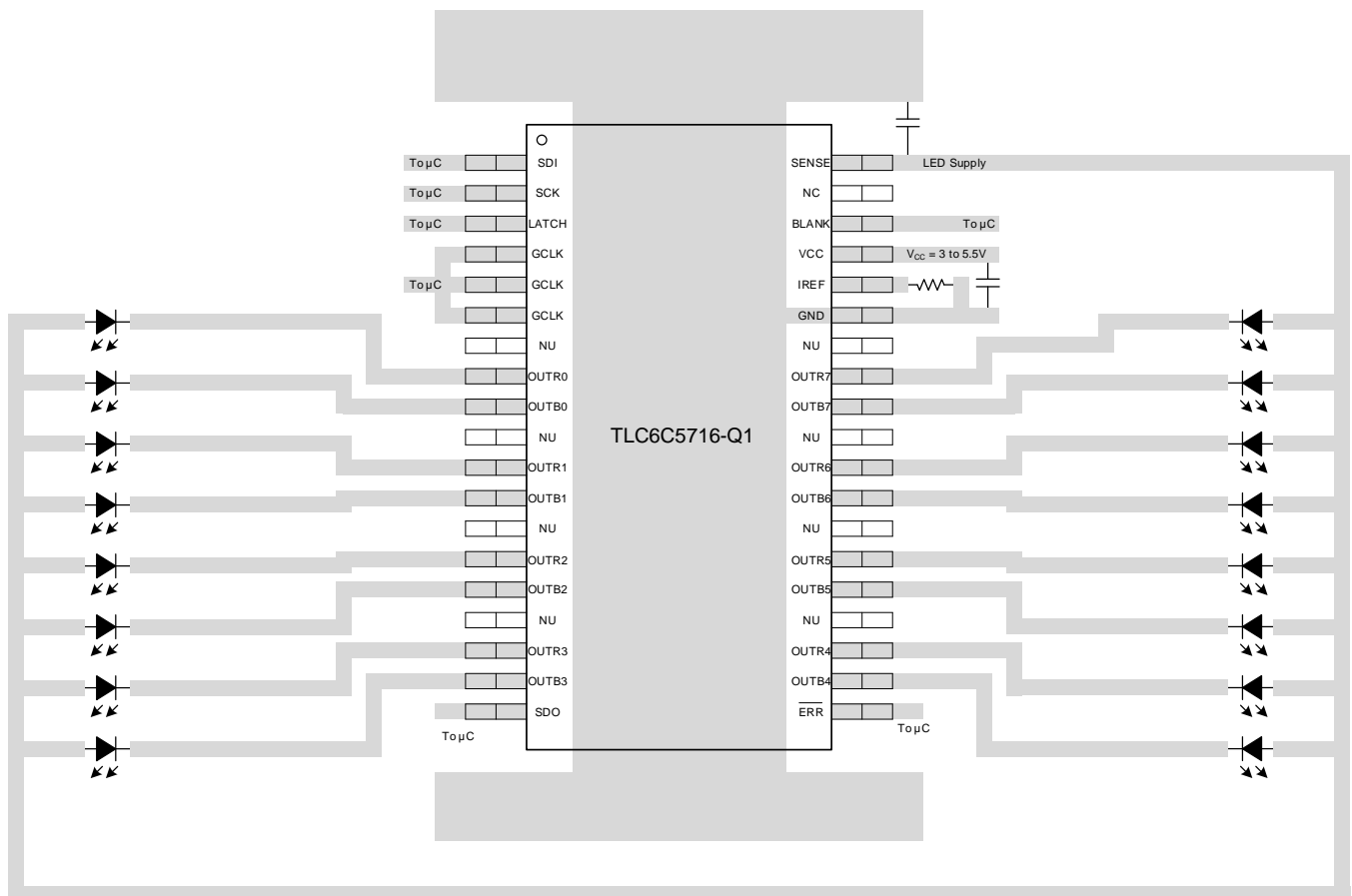
The TLC6C5716-Q1 device requires two power supplies. One is  $V_{CC}$ , which can range from 3 V to 5.5 V. The other is  $V_{LED}$ , which can be up to 8 V. Users must add a capacitor on the  $V_{CC}$  power supply to filter noise. Place the capacitor as close to the  $V_{CC}$  pin and SENSE pin as possible.

## 10 Layout

### 10.1 Layout Guidelines

☒ 35 shows a layout example for the TLC6C5716-Q1 device. To improve the thermal performance, TI recommends to use the GND plane to dissipate the heat. To filter the supply noise, users can put the capacitor as close to the  $V_{CC}$  and SENSE pins as possible. The IREF resistor also should be connected as close to IREF pin as possible.

### 10.2 Layout Example



☒ 35. TLC6C5716-Q1 Example Layout Diagram

## 11 デバイスおよびドキュメントのサポート

### 11.1 ドキュメントの更新通知を受け取る方法

ドキュメントの更新についての通知を受け取るには、[ti.com](http://ti.com)のデバイス製品フォルダを開いてください。右上の隅にある「通知を受け取る」をクリックして登録すると、変更されたすべての製品情報に関するダイジェストを毎週受け取れます。変更の詳細については、修正されたドキュメントに含まれている改訂履歴をご覧ください。

### 11.2 コミュニティ・リソース

The following links connect to TI community resources. Linked contents are provided "AS IS" by the respective contributors. They do not constitute TI specifications and do not necessarily reflect TI's views; see TI's [Terms of Use](#).

**TI E2E™オンライン・コミュニティ** *TIのE2E (Engineer-to-Engineer) コミュニティ*。エンジニア間の共同作業を促進するために開設されたものです。e2e.ti.comでは、他のエンジニアに質問し、知識を共有し、アイデアを検討して、問題解決に役立てることができます。

**設計サポート** *TIの設計サポート* 役に立つE2Eフォーラムや、設計サポート・ツールをすばやく見つけることができます。技術サポート用の連絡先情報も参照できます。

### 11.3 商標

PowerPAD, E2E are trademarks of Texas Instruments.

### 11.4 静電気放電に関する注意事項



すべての集積回路は、適切なESD保護方法を用いて、取扱いと保存を行うようにして下さい。

静電気放電はわずかな性能の低下から完全なデバイスの故障に至るまで、様々な損傷を与えます。高精度の集積回路は、損傷に対して敏感であり、極めてわずかなパラメータの変化により、デバイスに規定された仕様に適合しなくなる場合があります。

### 11.5 Glossary

**SLYZ022** — *TI Glossary*.

This glossary lists and explains terms, acronyms, and definitions.

## 12 メカニカル、パッケージ、および注文情報

以降のページには、メカニカル、パッケージ、および注文に関する情報が記載されています。これらの情報は、指定のデバイスに対して提供されている最新のデータです。このデータは予告なく変更されることがあり、ドキュメントが改訂される場合もあります。本データシートのブラウザ版を使用されている場合は、画面左側の説明をご覧ください。

**PACKAGING INFORMATION**

Orderable part number	Status (1)	Material type (2)	Package   Pins	Package qty   Carrier	RoHS (3)	Lead finish/ Ball material (4)	MSL rating/ Peak reflow (5)	Op temp (°C)	Part marking (6)
<a href="#">TLC6C5716QDAPRQ1</a>	Active	Production	HTSSOP (DAP)   38	2000   LARGE T&R	Yes	NIPDAU	Level-3-260C-168 HR	-40 to 125	TLC6C5716Q

<sup>(1)</sup> **Status:** For more details on status, see our [product life cycle](#).

<sup>(2)</sup> **Material type:** When designated, preproduction parts are prototypes/experimental devices, and are not yet approved or released for full production. Testing and final process, including without limitation quality assurance, reliability performance testing, and/or process qualification, may not yet be complete, and this item is subject to further changes or possible discontinuation. If available for ordering, purchases will be subject to an additional waiver at checkout, and are intended for early internal evaluation purposes only. These items are sold without warranties of any kind.

<sup>(3)</sup> **RoHS values:** Yes, No, RoHS Exempt. See the [TI RoHS Statement](#) for additional information and value definition.

<sup>(4)</sup> **Lead finish/Ball material:** Parts may have multiple material finish options. Finish options are separated by a vertical ruled line. Lead finish/Ball material values may wrap to two lines if the finish value exceeds the maximum column width.

<sup>(5)</sup> **MSL rating/Peak reflow:** The moisture sensitivity level ratings and peak solder (reflow) temperatures. In the event that a part has multiple moisture sensitivity ratings, only the lowest level per JEDEC standards is shown. Refer to the shipping label for the actual reflow temperature that will be used to mount the part to the printed circuit board.

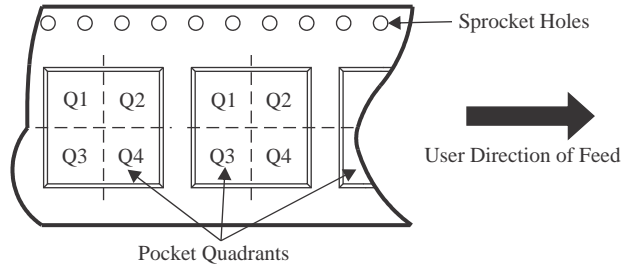
<sup>(6)</sup> **Part marking:** There may be an additional marking, which relates to the logo, the lot trace code information, or the environmental category of the part.

Multiple part markings will be inside parentheses. Only one part marking contained in parentheses and separated by a "-" will appear on a part. If a line is indented then it is a continuation of the previous line and the two combined represent the entire part marking for that device.

**Important Information and Disclaimer:** The information provided on this page represents TI's knowledge and belief as of the date that it is provided. TI bases its knowledge and belief on information provided by third parties, and makes no representation or warranty as to the accuracy of such information. Efforts are underway to better integrate information from third parties. TI has taken and continues to take reasonable steps to provide representative and accurate information but may not have conducted destructive testing or chemical analysis on incoming materials and chemicals. TI and TI suppliers consider certain information to be proprietary, and thus CAS numbers and other limited information may not be available for release.

In no event shall TI's liability arising out of such information exceed the total purchase price of the TI part(s) at issue in this document sold by TI to Customer on an annual basis.

**TAPE AND REEL INFORMATION**

**QUADRANT ASSIGNMENTS FOR PIN 1 ORIENTATION IN TAPE**


\*All dimensions are nominal

Device	Package Type	Package Drawing	Pins	SPQ	Reel Diameter (mm)	Reel Width W1 (mm)	A0 (mm)	B0 (mm)	K0 (mm)	P1 (mm)	W (mm)	Pin1 Quadrant
TLC6C5716QDAPRQ1	HTSSOP	DAP	38	2000	330.0	24.4	8.6	13.0	1.8	12.0	24.0	Q1

**TAPE AND REEL BOX DIMENSIONS**


\*All dimensions are nominal

Device	Package Type	Package Drawing	Pins	SPQ	Length (mm)	Width (mm)	Height (mm)
TLC6C5716QDAPRQ1	HTSSOP	DAP	38	2000	350.0	350.0	43.0

## GENERIC PACKAGE VIEW

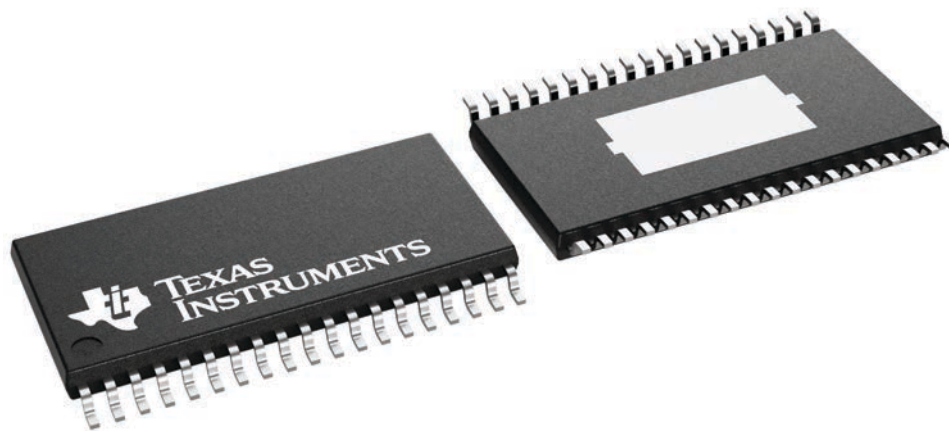
**DAP 38**

**PowerPAD™ TSSOP - 1.2 mm max height**

8.1 x 12.5, 0.65 mm pitch

SMALL OUTLINE PACKAGE

This image is a representation of the package family, actual package may vary.  
Refer to the product data sheet for package details.



4231599/A



## 重要なお知らせと免責事項

テキサス・インスツルメンツは、技術データと信頼性データ(データシートを含みます)、設計リソース(リファレンス デザインを含みます)、アプリケーションや設計に関する各種アドバイス、Web ツール、安全性情報、その他のリソースを、欠陥が存在する可能性のある「現状のまま」提供しており、商品性および特定目的に対する適合性の黙示保証、第三者の知的財産権の非侵害保証を含むいかなる保証も、明示的または黙示的にかかわらず拒否します。

これらのリソースは、テキサス・インスツルメンツ製品を使用する設計の経験を積んだ開発者への提供を意図したものです。(1) お客様のアプリケーションに適したテキサス・インスツルメンツ製品の選定、(2) お客様のアプリケーションの設計、検証、試験、(3) お客様のアプリケーションに該当する各種規格や、その他のあらゆる安全性、セキュリティ、規制、または他の要件への確実な適合に関する責任を、お客様のみが単独で負うものとし、ます。

上記の各種リソースは、予告なく変更される可能性があります。これらのリソースは、リソースで説明されているテキサス・インスツルメンツ製品を使用するアプリケーションの開発の目的でのみ、テキサス・インスツルメンツはその使用をお客様に許諾します。これらのリソースに関して、他の目的で複製することや掲載することは禁止されています。テキサス・インスツルメンツや第三者の知的財産権のライセンスが付与されている訳ではありません。お客様は、これらのリソースを自身で使用した結果発生するあらゆる申し立て、損害、費用、損失、責任について、テキサス・インスツルメンツおよびその代理人を完全に補償するものとし、テキサス・インスツルメンツは一切の責任を拒否します。

テキサス・インスツルメンツの製品は、[テキサス・インスツルメンツの販売条件](#)、または [ti.com](https://www.ti.com) やかかるテキサス・インスツルメンツ製品の関連資料などのいずれかを通じて提供する適用可能な条項の下で提供されています。テキサス・インスツルメンツがこれらのリソースを提供することは、適用されるテキサス・インスツルメンツの保証または他の保証の放棄の拡大や変更を意味するものではありません。

お客様がいかなる追加条項または代替条項を提案した場合でも、テキサス・インスツルメンツはそれらに異議を唱え、拒否します。

郵送先住所：Texas Instruments, Post Office Box 655303, Dallas, Texas 75265  
Copyright © 2025, Texas Instruments Incorporated